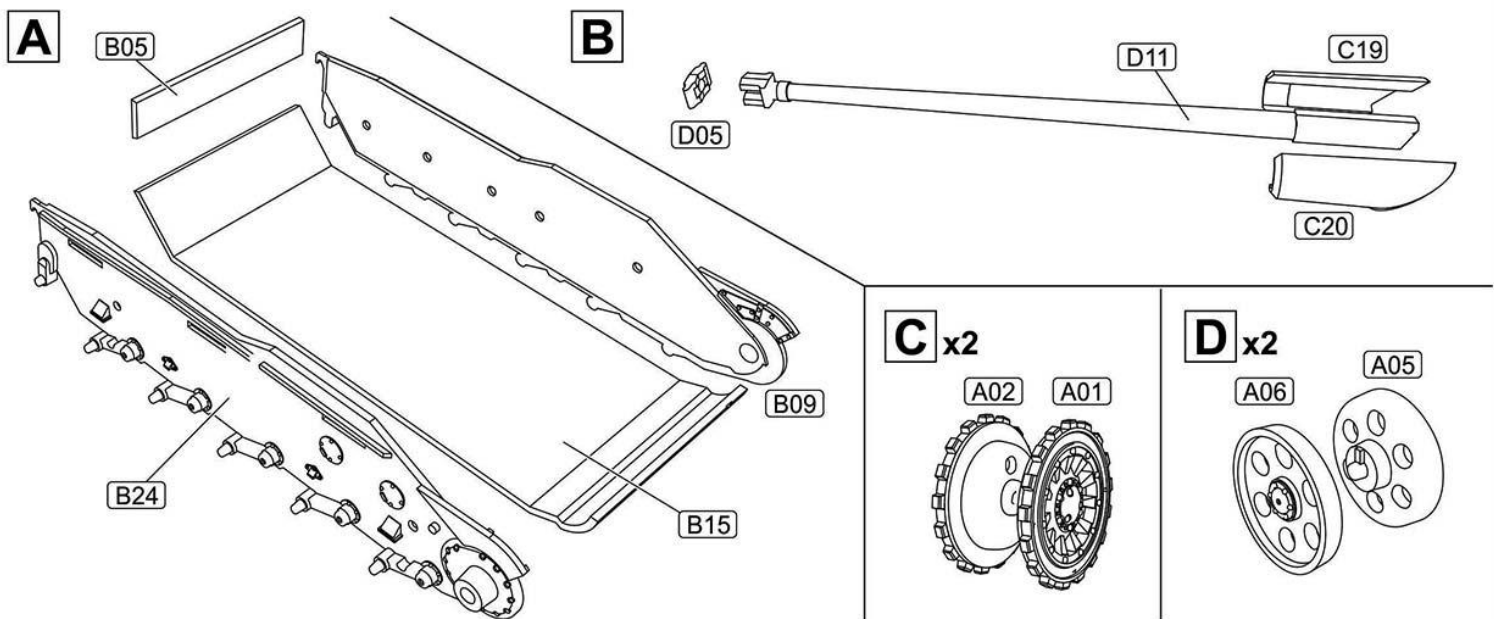
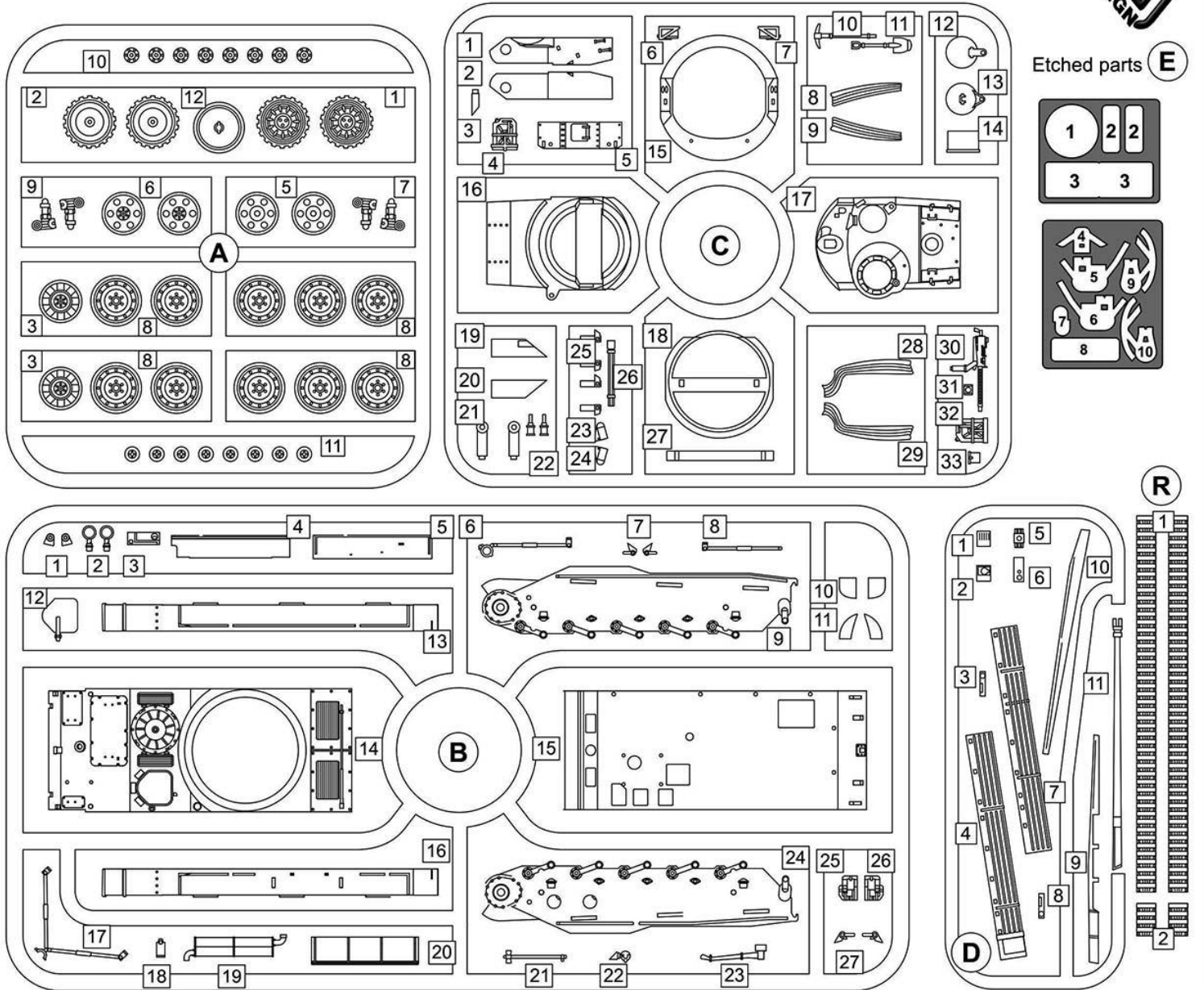
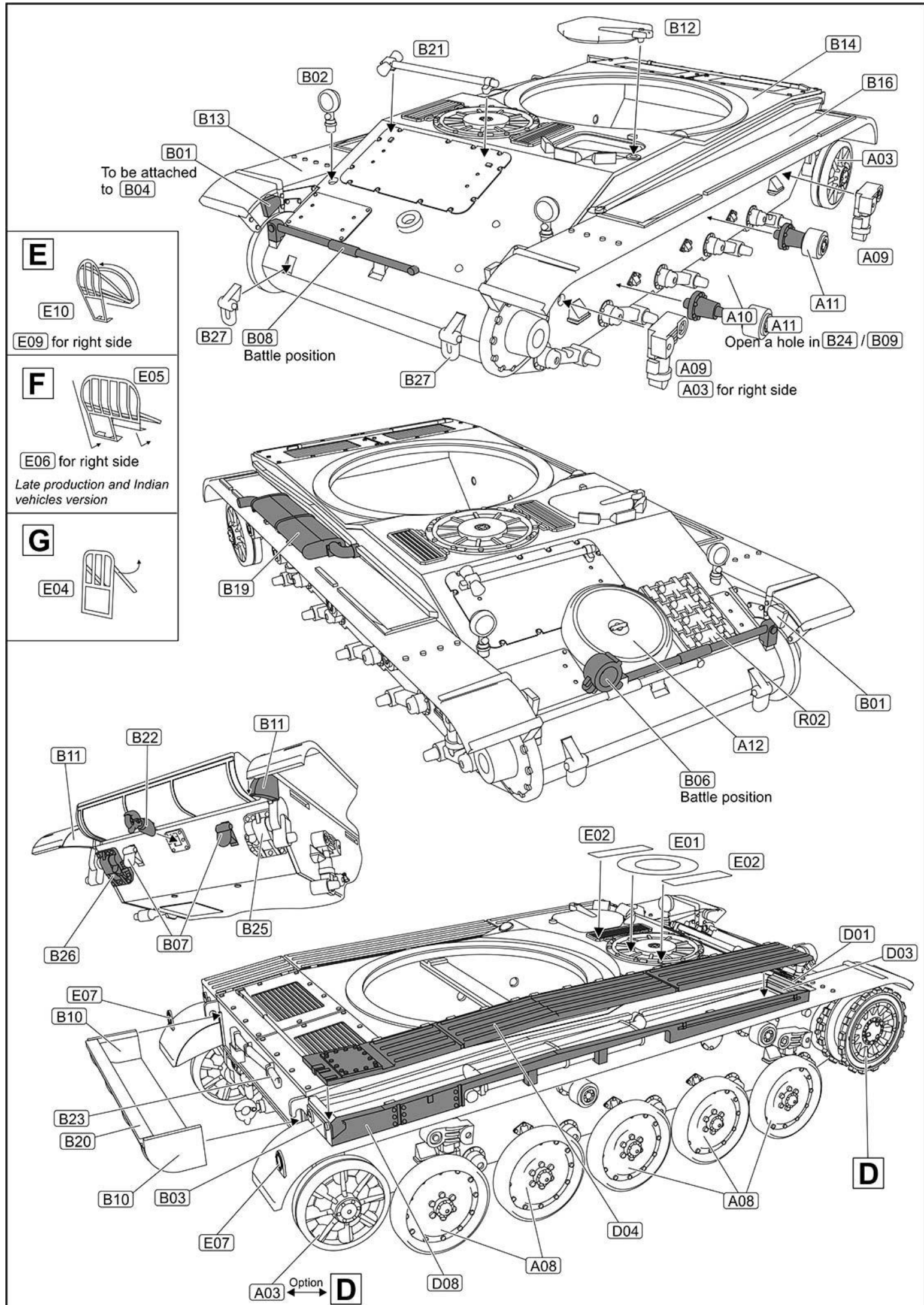


Light Tank AMX-13/75

1/72 scale
Plastic model kit. Cat. #72445



Check for historical photos of this AFV and other vehicles, up to date kit instructions, detailed descriptions of other ACE kits, new products and more at:
<http://www.acemodel.com.ua> or <https://www.facebook.com/acemodelkits/>



E

E10

E09 for right side

F

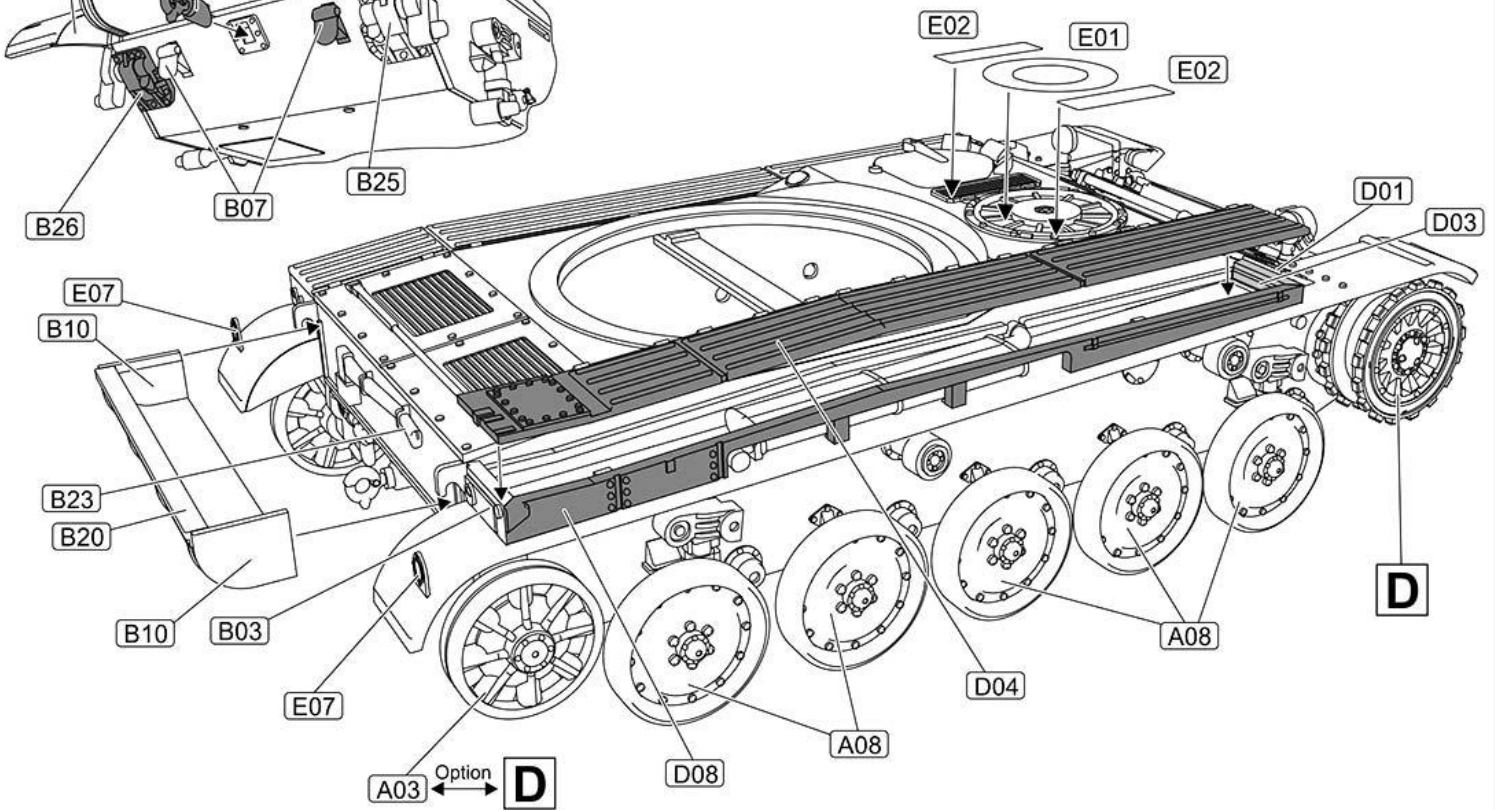
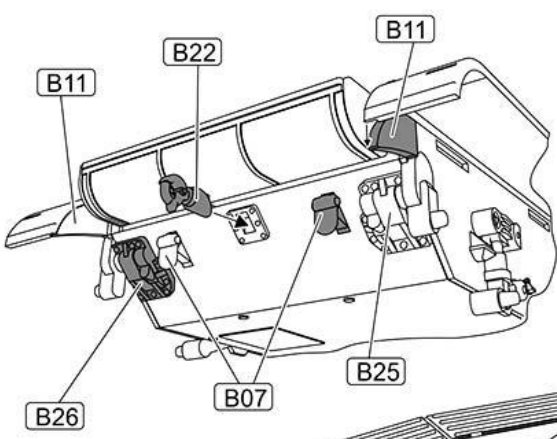
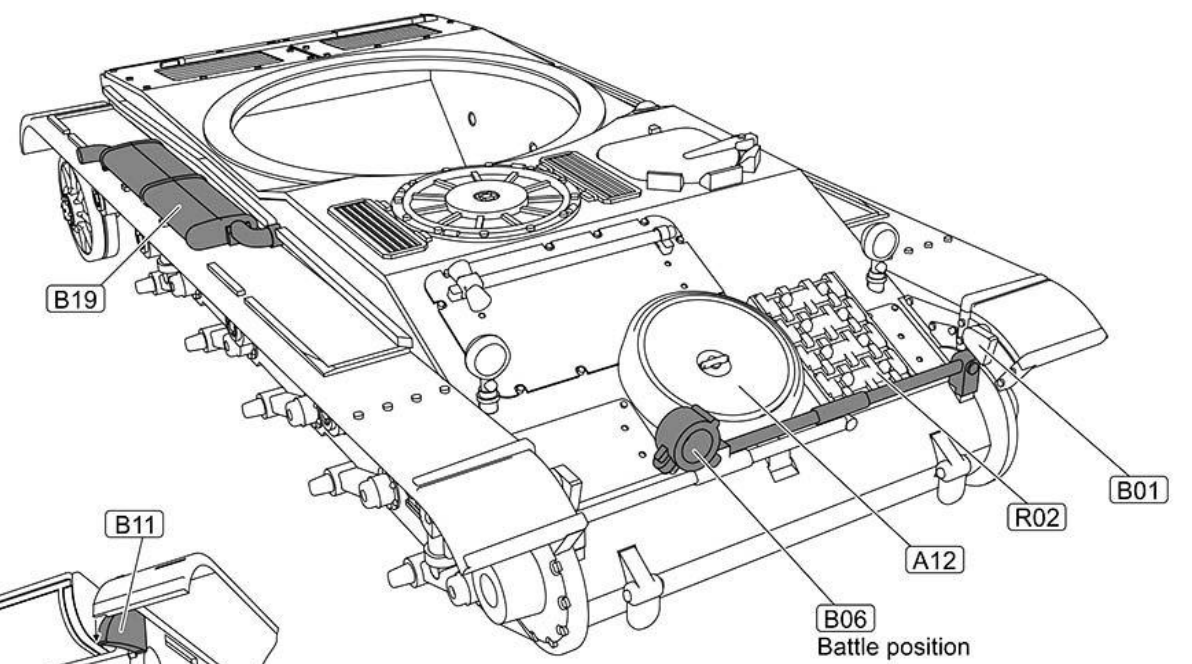
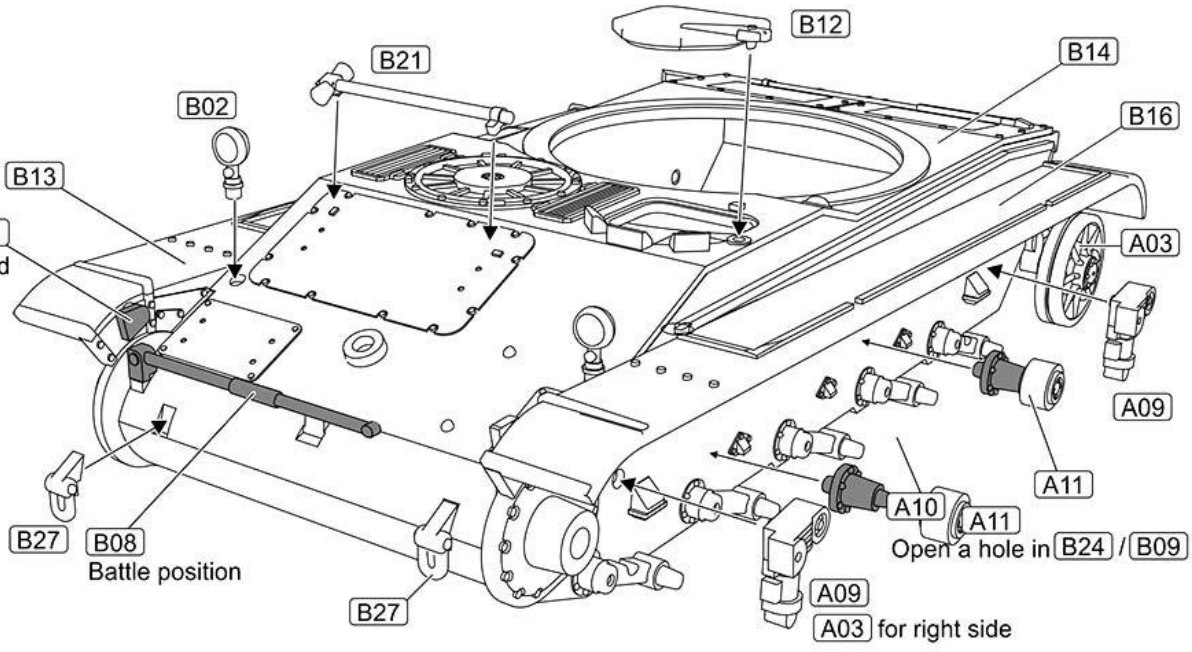
E05

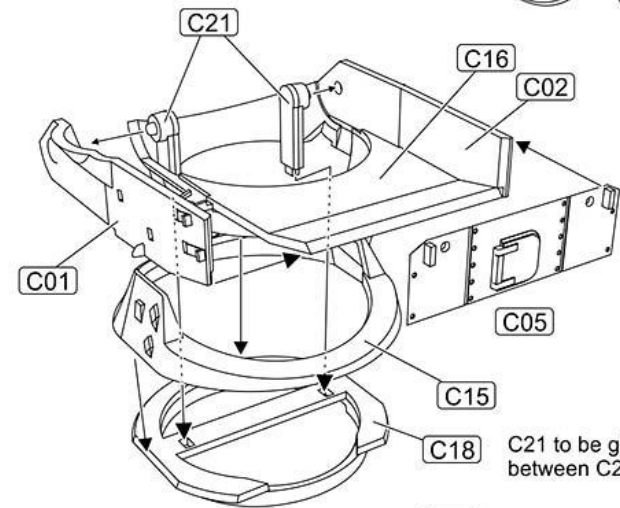
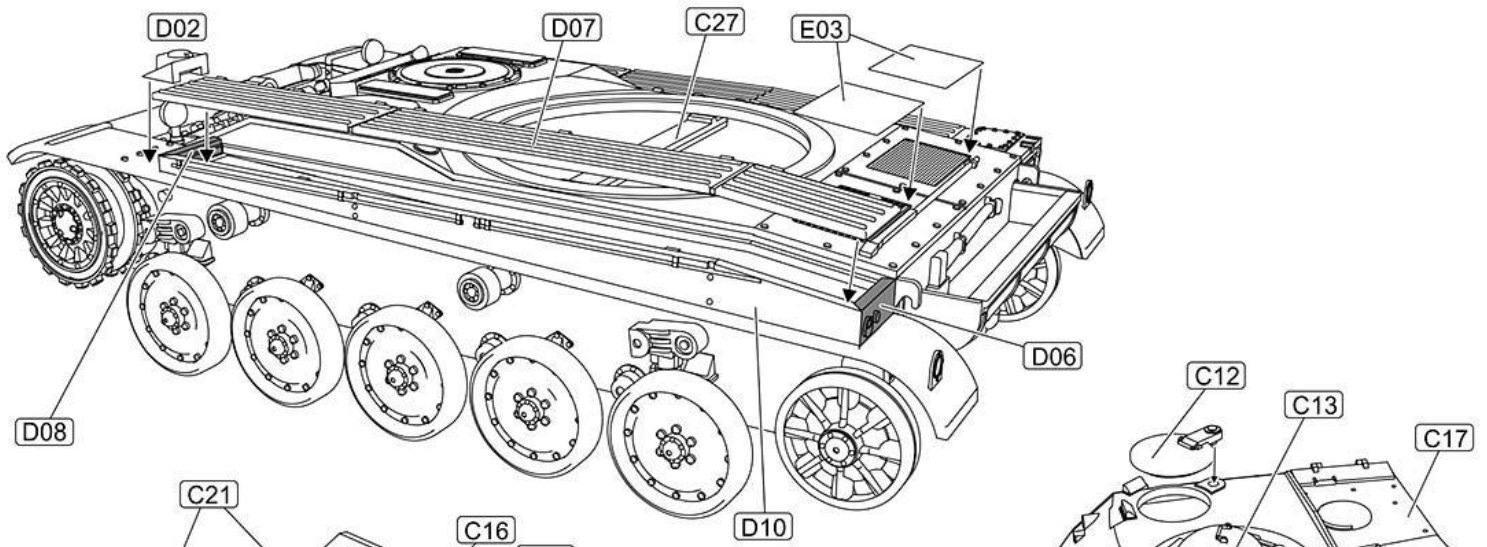
E06 for right side

Late production and Indian vehicles version

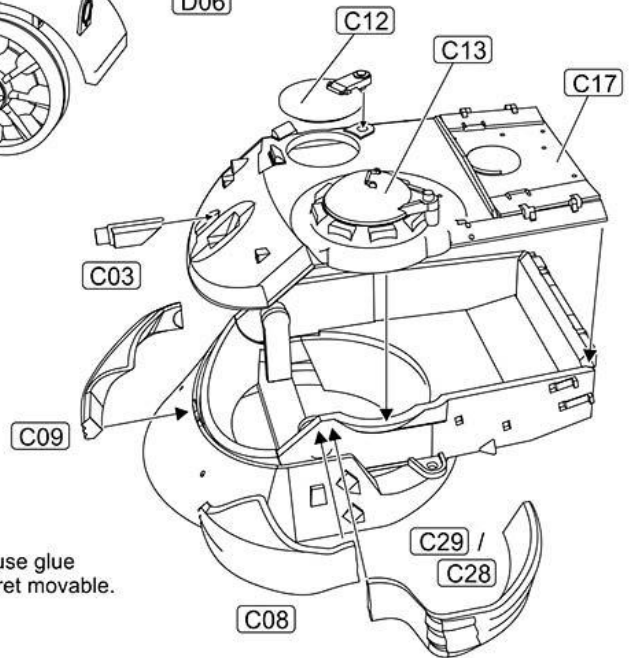
G

E04

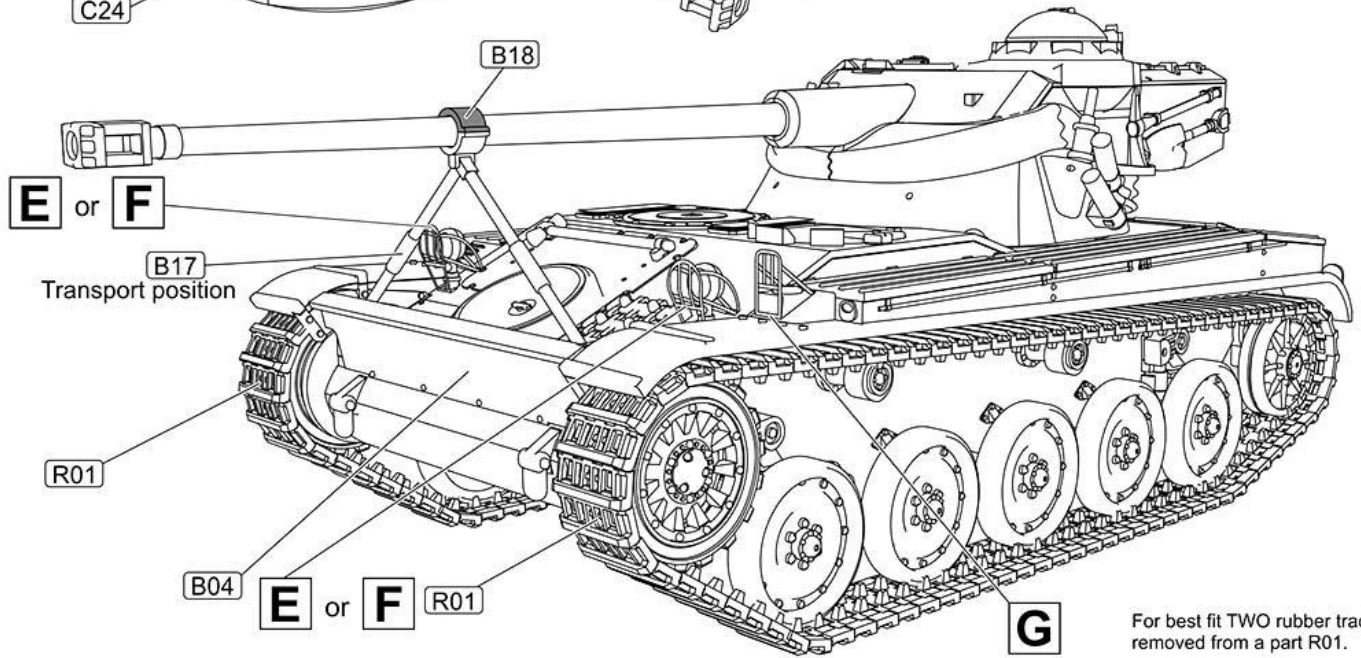
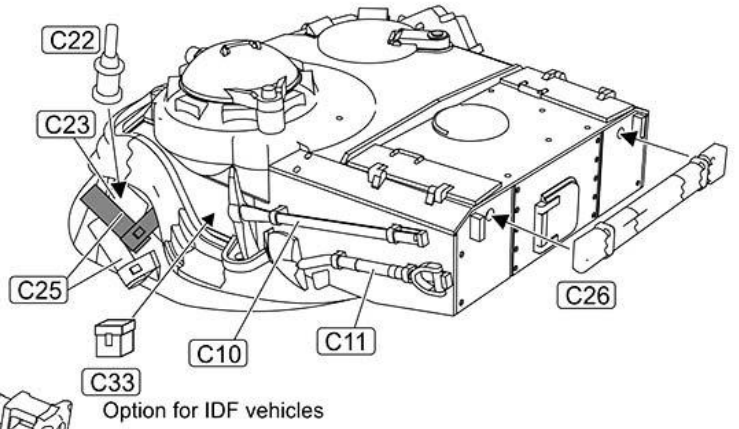
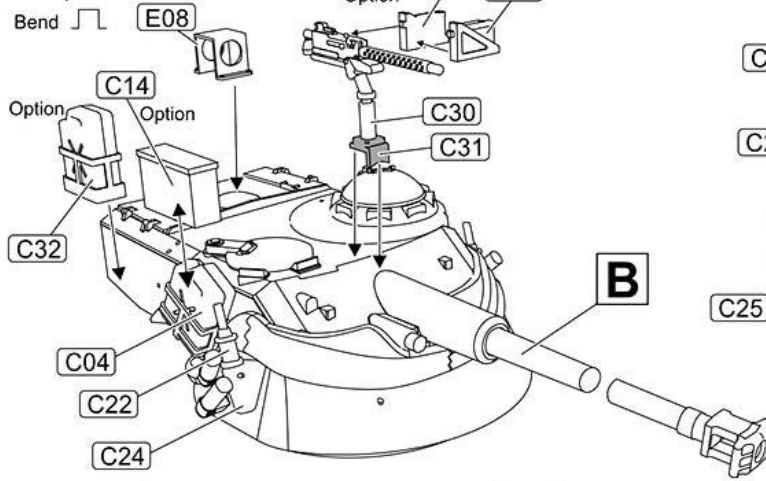




C21 to be glued to C18 only. Don't use glue between C21 & C01/02 to make turret movable.

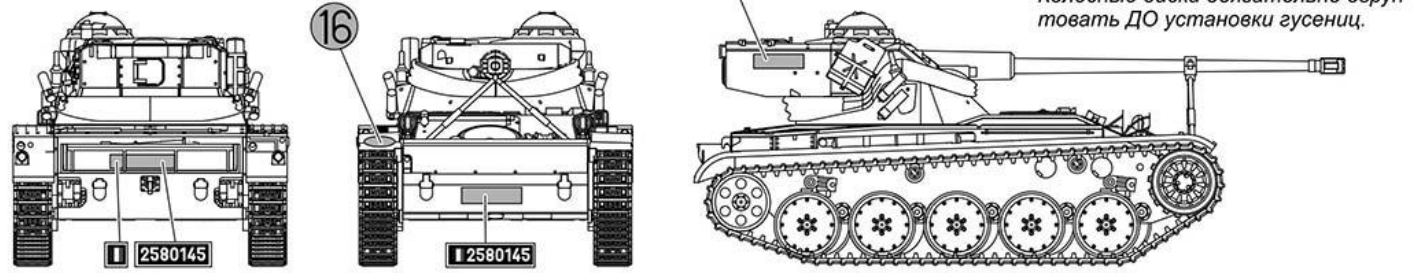


Later production/IDF vehicles

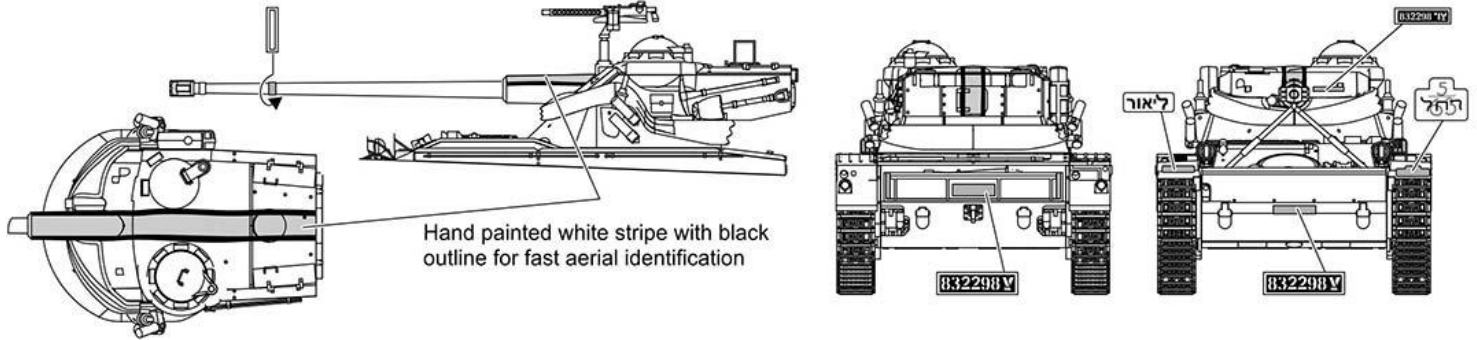


For best fit TWO rubber tracks to be removed from a part R01.

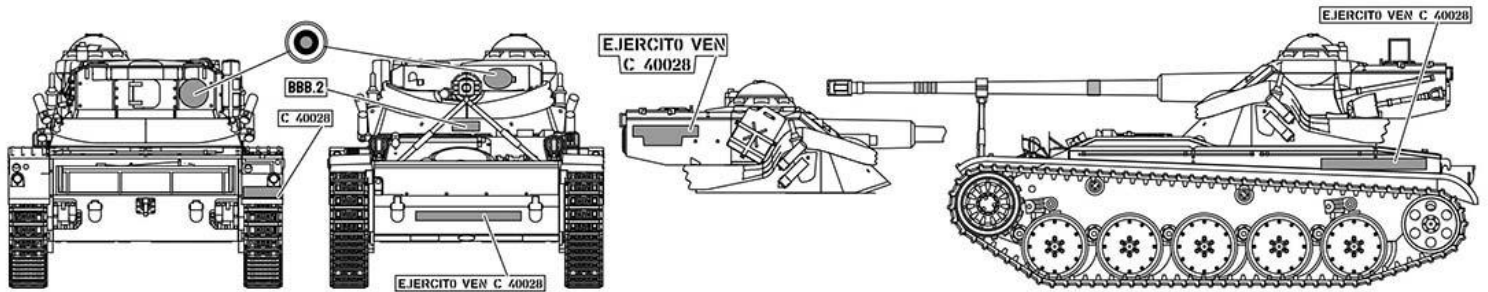
Painting and marking.



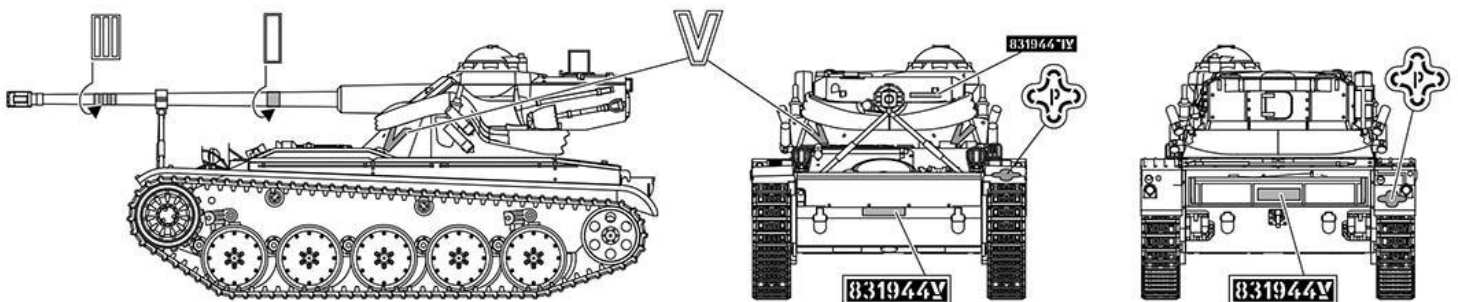
AMX-13/75, French Army, Unit unknown. Overall Vert Armee (French Olive Drab - similar to faded Gelboliv RAL 6014).
 AMX-13/75 ВС Французской Республики. Французский оливково-зелёный (темнее RAL 6014)



AMX-13/75, Israely DF. Probably 37th Tank Brigade. Six Day War. 1967. Overall Sand Grey (Vallejo 71.141)
 AMX-13/75 Израильских сил самообороны. Предположительно 37-ая танковая бригада. Шестидневная война. 1967. Песочно-серый. (Vallejo 71.141)



AMX-13/75, National Army of Bolivarian Republic of Venezuela, military rebellion against the Gov. of Betancourt. El Porteñazo, June 1962. Dark Green (Vallejo 71.019).
 AMX-13/75 Национальной Армии Республики Венесуэла. Попытка военного переворота в июне 1962г. El Porteñazo. Тёмно зелёный (Vallejo 71.019).



AMX-13/75, 3-rd Platoon, 1-st Company, 4-th Battalion Israely DF. Six Day War. 1967. Golan Heights.
 Overall Sand Grey (Vallejo 71.141)
 AMX-13/75 Израильских сил самообороны. Голанские высоты. 1967. Песочно-серый. (Vallejo 71.141)