

To construct this kit you will need the following:

1. A modellers knife.
2. A pair of scissors.
3. A ruler.
4. Glue - Bostik Clear Adhesive or UHU clear.
5. A cutting surface (a sheet of card or a cutting mat).

READ THESE INSTRUCTIONS THOROUGHLY

When removing the components from the sheet, first cut the small ties that hold them together with a knife and then place the pieces of the building face up outside the area where you will be constructing the building.

Fig. 1.

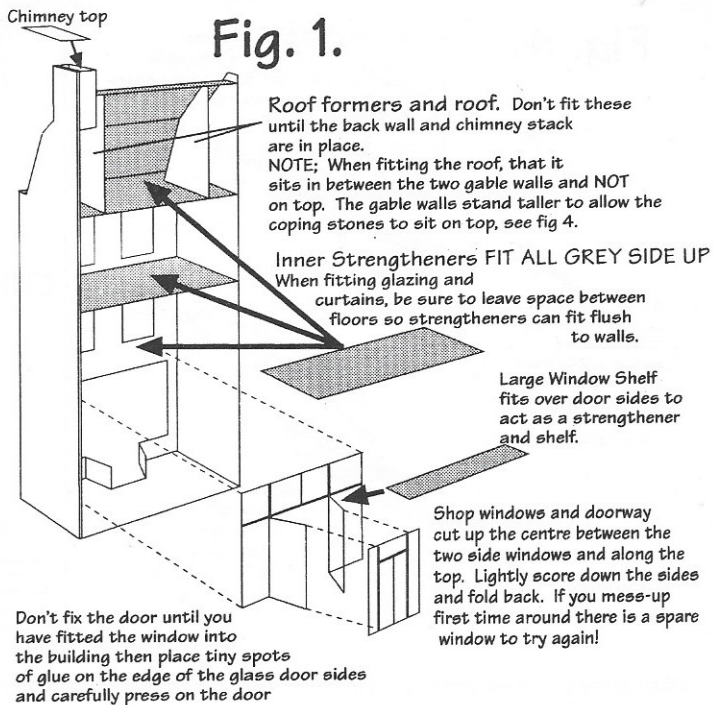


Fig. 2.

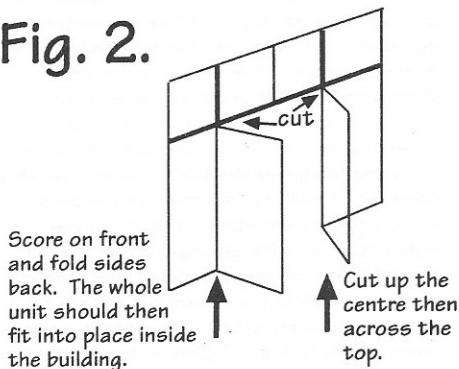


Fig 3.

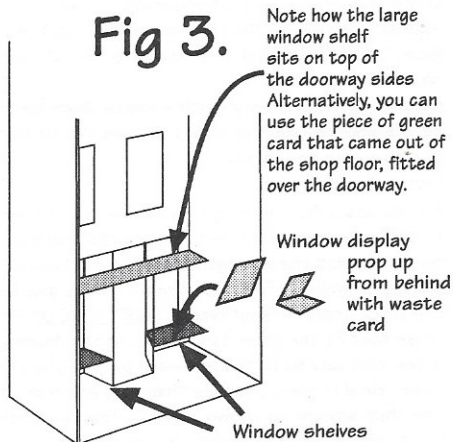
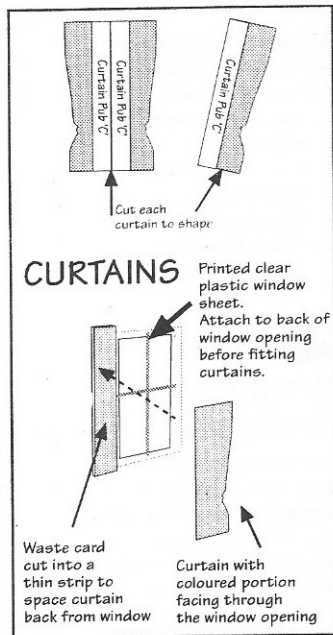
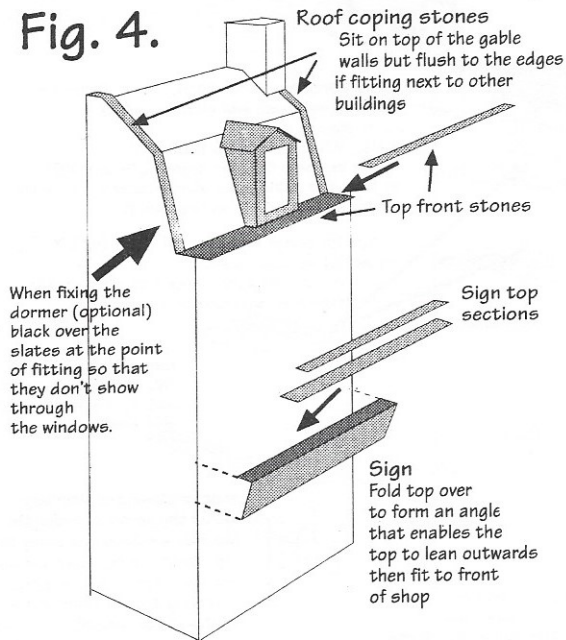


Fig. 4.



When gluing the edges of the card together only use tiny spots of glue so that you don't get any squeezing out when the card is pushed together. Some of the edges will need touching up with paint to hide the corners.

Coloured pencils or very much watered down water paints are best for this and it is advisable to test out on waste card first.

Construction

Fit the upper floor glazing sheets and the curtains to the main walls (be sure to leave space between floors so that the strengtheners can fit flush to the inside walls). Fold back the side walls and fix the three upper strengtheners, **GREY SIDE UP** fig. 1. When fast fit the shop floor then fold the doorway sides back and fix to the recessed part of the shop floor. Hold in place until dry then cut, score and fit the shop window as shown in fig. 2. This is a tricky job so there are two windows incase you spoil the

first one. Fit the window shelves and displays then fit the larger window shelf over the doorway fig. 3. or alternatively the green card that came out of the shop floor recess can be fitted over the doorway. Now fit the door with only the tiniest spots of glue. Because of the intricacies of this manoeuvre, and the nature of the card, you may have to trim bits to get them to fit, but it is well worth the effort. Fit the chimney stack and then the back wall. Now lay the building on its back and fix the roof formers followed by the roof. Note: the roof folds at two points and fits inside the gable walls so that they stand a little taller to take the coping stones. Now fix the top front stones and the dormer window fig. 4. with its' glazing and roof. As the dormer is optional, the roof slates have been left on, you may wish to black them out so they don't show through the window. Cut and score coping stones and fix to tops of gable walls. Fit the sign and two top sections fig. 4.