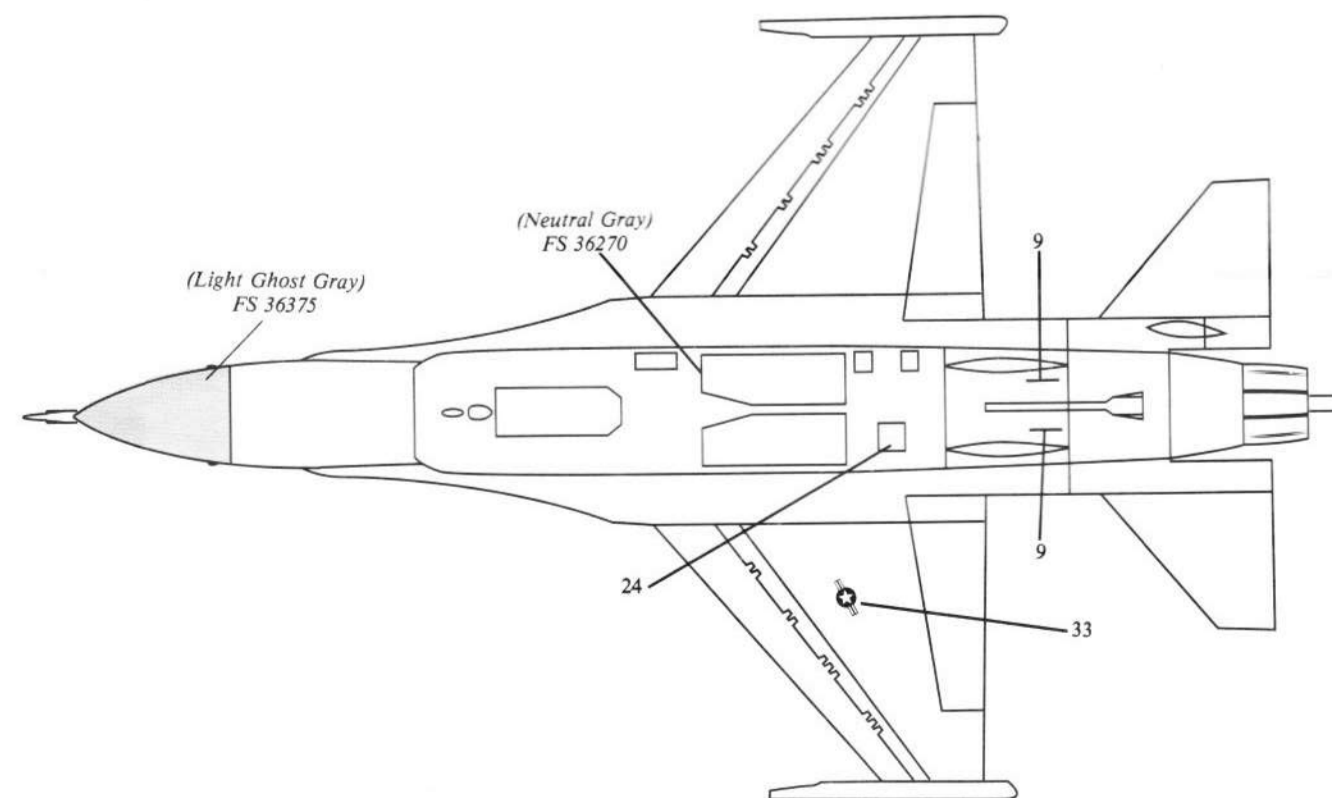
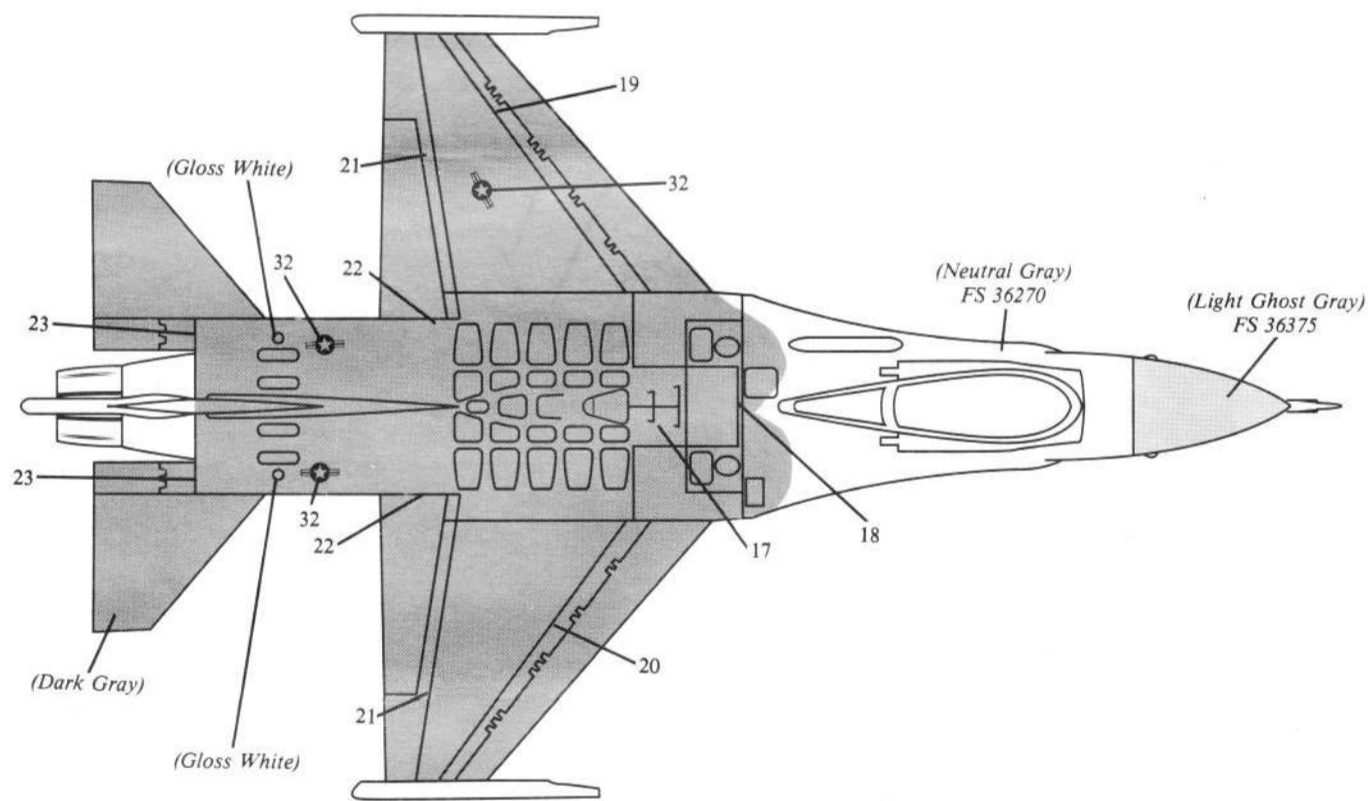
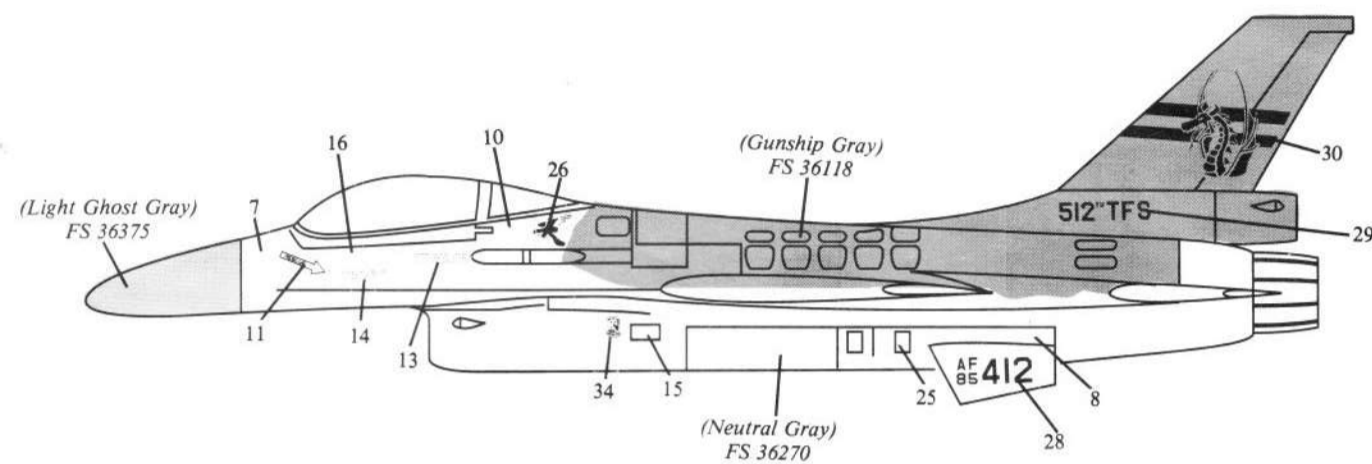
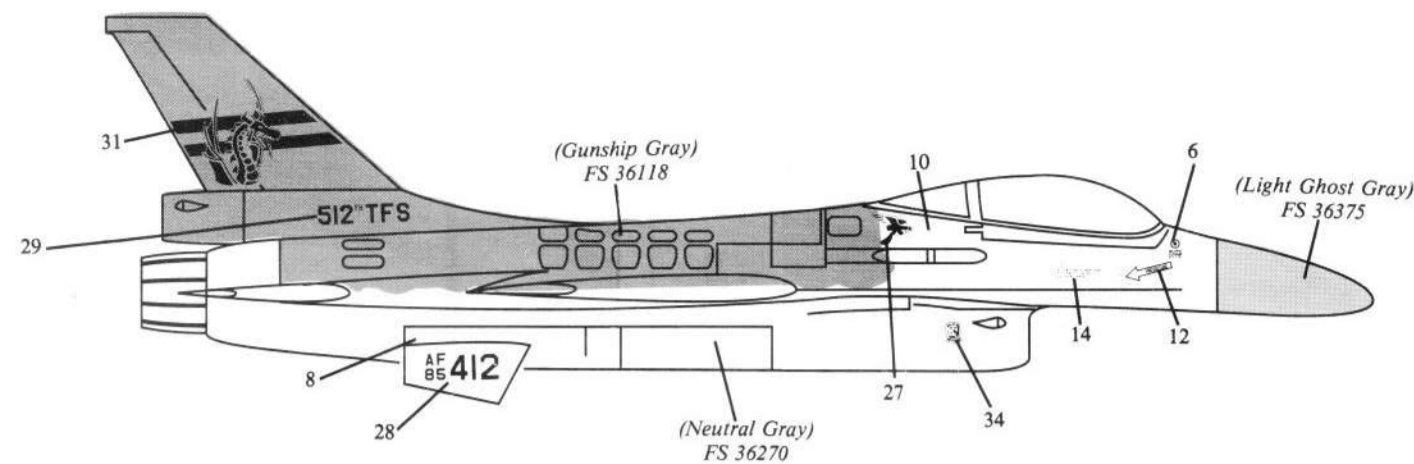


# DECAL PLACEMENT



800-942-4618 (in Iowa) • 800-553-4886 (elsewhere in U.S.A.)  
 • Outside of U.S.A. call (319) 875-2000  
**THE ERTL COMPANY, INC.**  
 Highways 136 & 20, Dyersville, Iowa 52040 U.S.A.  
 PRINTED IN THE U.S.A.



# FORCE ONE

GENERAL DYNAMICS  
**F-16A FIGHTING FALCON**  
 1/72 Scale Model Kit



Stock No. 8696  
 Form No. 099-8696

## F-16 History Copy

Designed to be a lightweight, agile, and comparatively inexpensive air superiority fighter, the F-16 has proven itself to be arguably the best clear-air-to-air fighter ever developed. In addition, the Fighting Falcon has demonstrated itself to be an exceptionally capable air-to-ground close support and tactical strike aircraft as well, an almost unbelievable accomplishment in these days of specialization. Of particular technical interest is the F-16's unique fly-by-wire system whereby the pilot's input on the control stick is transmitted to the control surfaces entirely electronically, without any mechanical linkage.

In its role as an air-to-air fighter the F-16 carries two AIM-9 Sidewinder short range air-to-air missiles as well as the internal M61 20mm Vulcan cannon with 515 rounds of ammunition. This weapon load does not compromise the Falcon's ability to withstand prolonged 9G maneuvers. Longer-range interception duties would utilize additional AIM-7 Sparrow medium-range air-to-air missiles and external fuel tanks. For ground attack missions the F-16 can be equipped with combinations of Mk.83 1,000 lb. bombs, Mk.82

500 lb. bombs, AGM-78 anti-radar guided missiles, Paveway laser-guided bombs, or nuclear weapons, in addition to the normal Sidewinders and internal cannon.

Deployed with the U.S. Air Force's Tactical Air Command, U.S. Air Force in Europe and the Pacific, and several Air Force Reserve and Air National Guard units, the F-16 has also been exported to Belgium, Denmark, Egypt, Greece, Israel, South Korea, Netherlands, Norway, Pakistan, Singapore, Thailand, Turkey, and Venezuela.

### SPECIFICATIONS:

LENGTH:	49 k. 3 in.
WINGSPAN:	32 ft. 10 in. with missiles
HEIGHT:	16 ft. 6 in.
POWERPLANT:	One 23,840 Lb. thrust (with afterburner) Pratt & Whitney F-100 PW-200 turbofan engine
MAXIMUM SPEED:	Mach 2.05 (1,350 mph) at 40,000 ft. altitude
MAXIMUM ALTITUDE:	Over 50,000 ft.
COMBAT RADIUS:	350-575 miles
MAXIMUM RANGE:	2,400 miles (With internal & external fuel)

**IMPORTANT:** Before you begin to assemble your model kit, study the instructions carefully. This will help you to familiarize yourself with the part locations as you proceed. Prior to cementing parts together, be sure to "TEST FIT" them in order to assure proper alignment and also to check for excess "FLASH" that may occur along parting lines. Use a sharp hobby knife or file to remove flash if necessary.

If you wish to paint your model, various sub-assemblies and components should be painted before any parts are attached. During assembly, you may note that the recommended color is stated after the part name.

This model kit is molded from the finest high-impact styrene plastic. Use only paints and cements which are specifically formulated for styrene. Read all labels and warnings carefully.

Because the cement will only adhere to bare plastic it is necessary to remove any paint from the area to which the cement is to be applied.

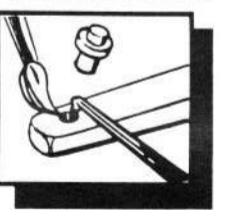
**HOBBY KNIFE**  
 Use a sharp hobby knife to remove parts from the trees. Some parts may appear to have an extra "tab" on them, these should be removed.



**TWEEZERS**  
 Tweezers are handy for holding very small parts during assembly or painting.



**CEMENT**  
 We recommend the use of liquid polystyrene cement. Apply with a fine brush or toothpick. Use cement sparingly or a sloppy job will result.



### BUILDING TIPS FOR THE ADVANCED MODELER

For the best possible finish, your kit should be painted, even if it is molded in color. Paint should be applied evenly, in several thin coats rather than one heavy coat. The first coat should not completely cover the surface. Each layer should be allowed to thoroughly dry before the next coat is applied. Also, each coat should be "wet sanded" using No. 1200 wet or dry sandpaper which is slightly damp; except for the final coat. Be careful not to remove any detail while sanding.

It is important to keep your hands clean when you are working with your model and always wash the parts before painting. This will remove any mold release agent that may have been used during manufacture, body oil from your hands, sanding residue, and dust, which is naturally attracted to plastic by static electricity. Use a mild solution of dishwashing detergent and water. Use a tack rag to dry the parts. **DO NOT** use paper towels or tissues, since they will leave lint on the part.

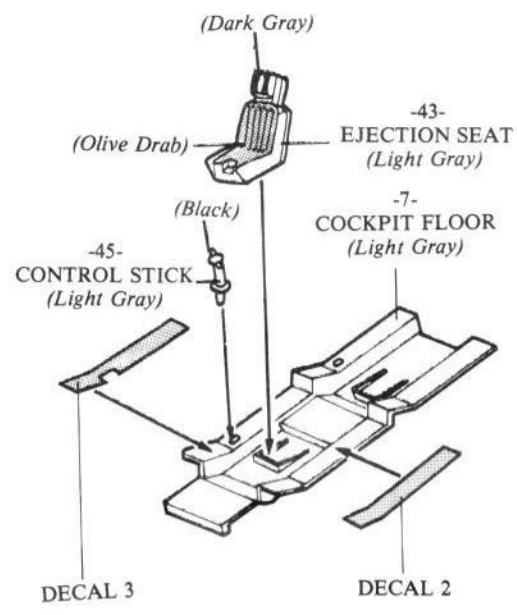
Parting lines and glue joints should be sanded or filed prior to painting and because paint has a tendency to draw away from sharp edges all sharp corners should be filed. Use filler putty designed for plastic to fill small gaps that may occur between parts, and to blend contours. This should be done only after the first or "primer" coat of paint is applied.

We take great pride in providing the finest model kits available, giving strong attention to detail and craftsmanship. Should you have any difficulty with assembly or missing parts, please call.

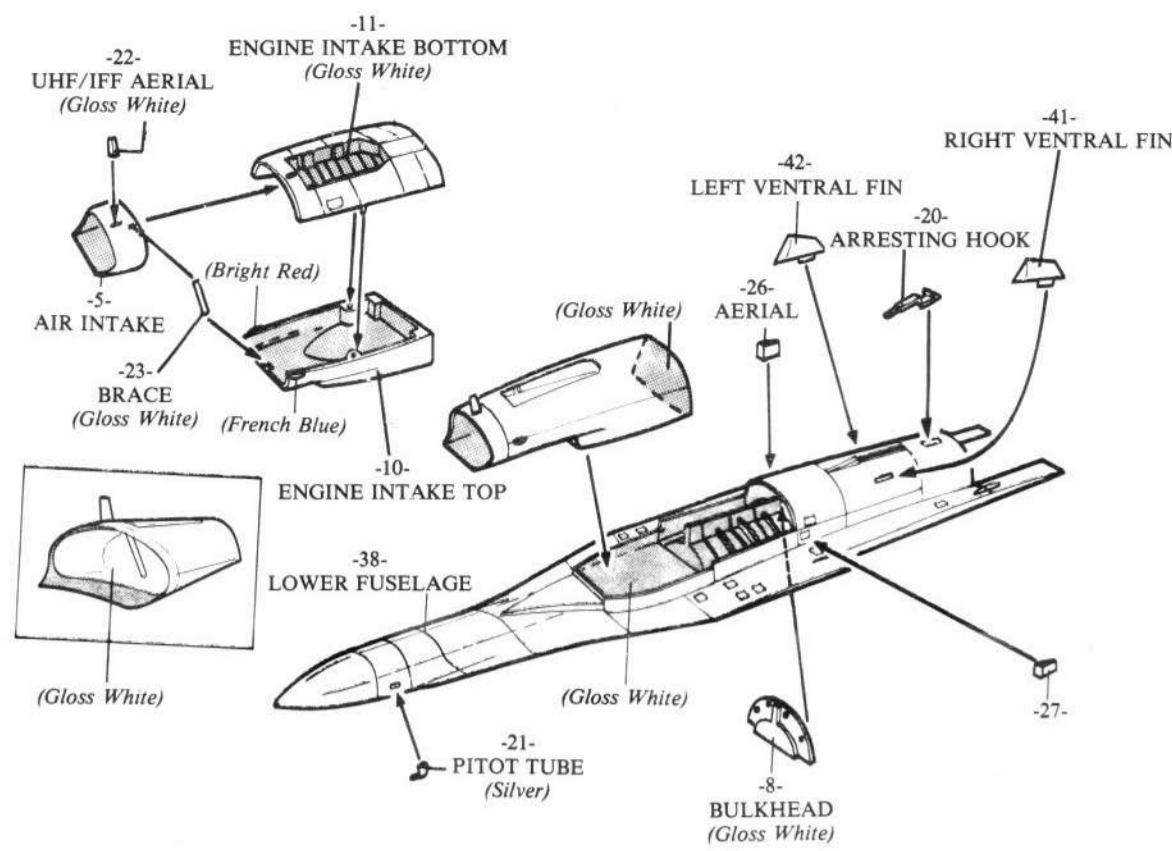
(IN IOWA)  
 1-800-942-4618\*  
 (ELSEWHERE IN U.S.A.)  
 1-800-553-4886\*  
 (OUTSIDE OF U.S.A.)  
 1-319-875-2000

\*-TOLL FREE

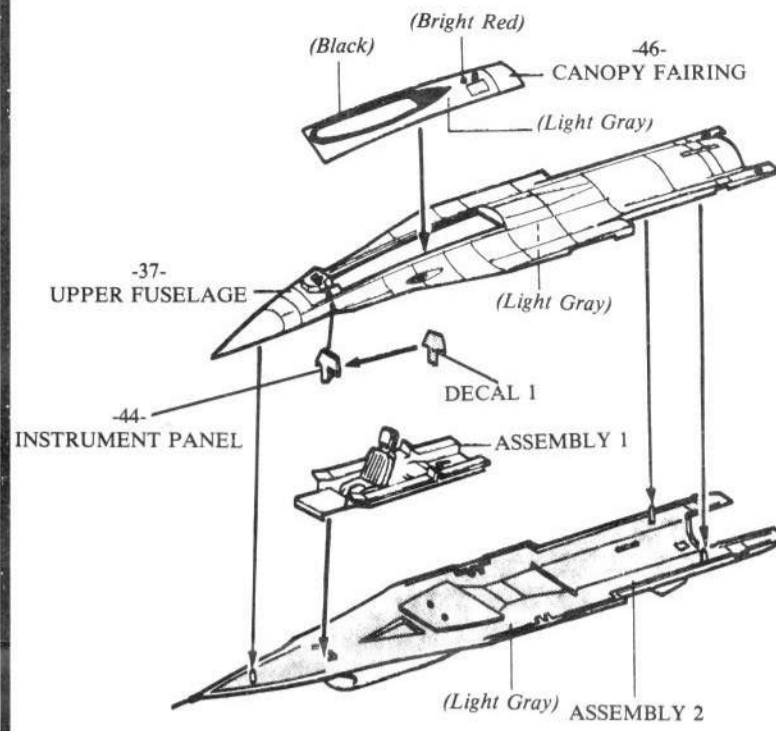
1



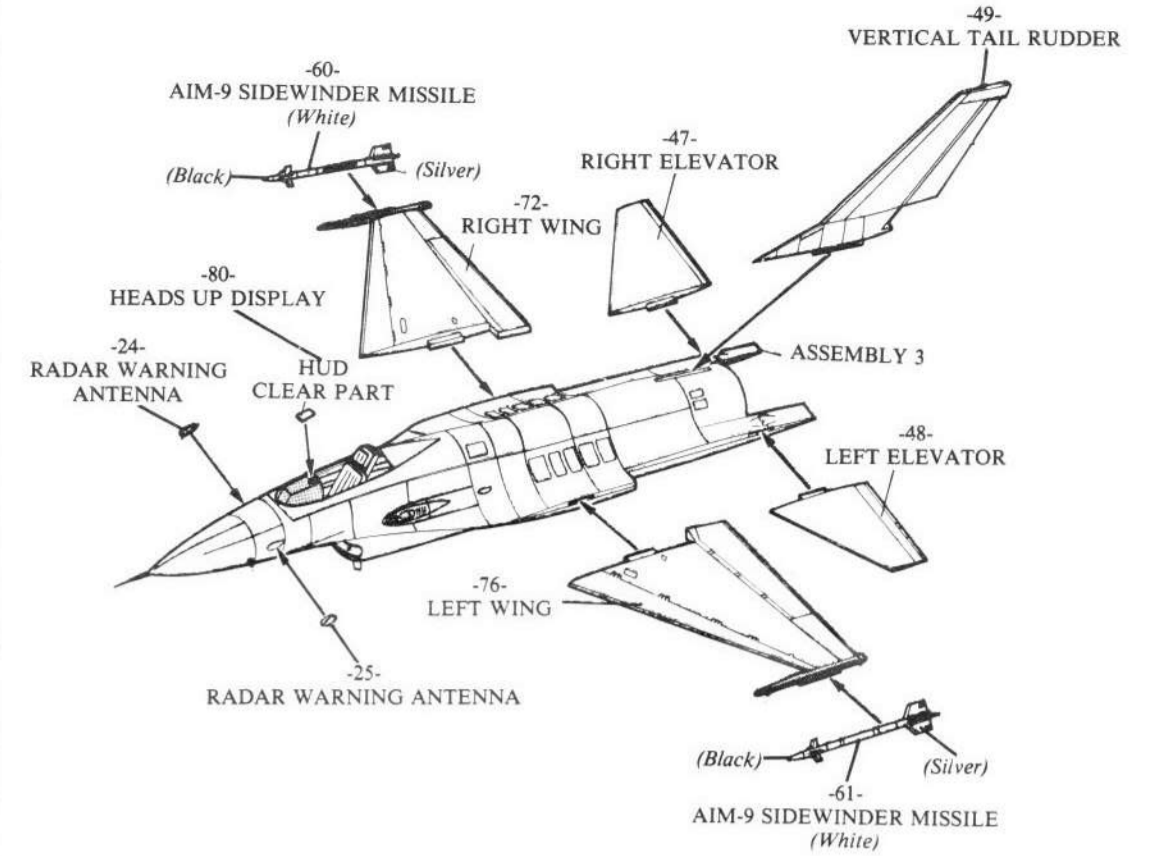
2



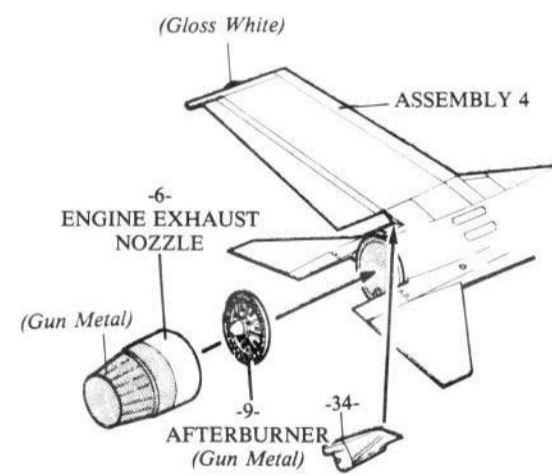
3



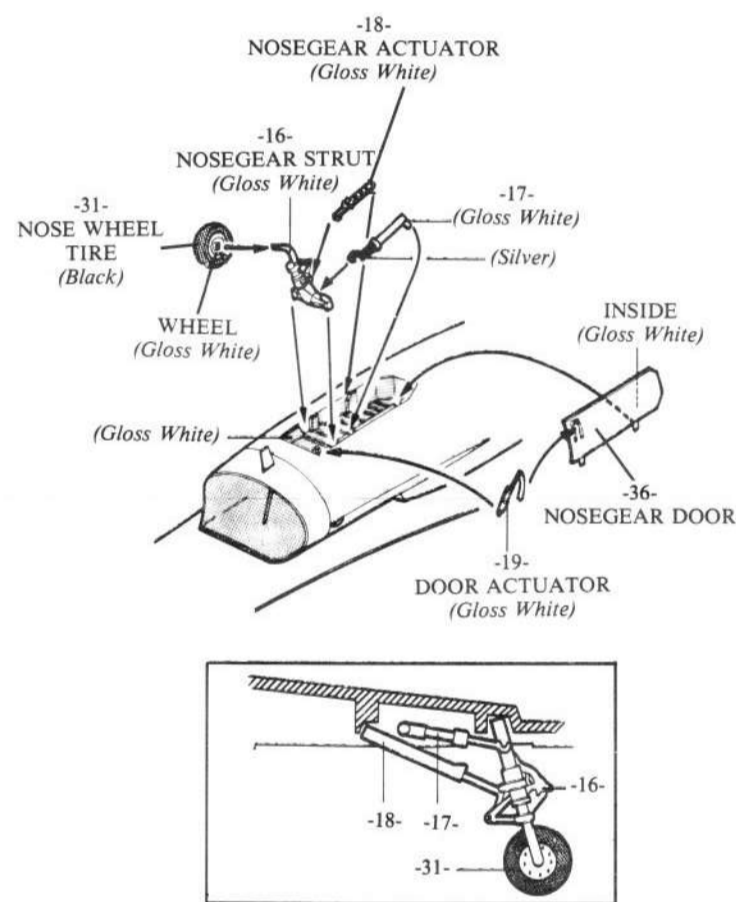
4



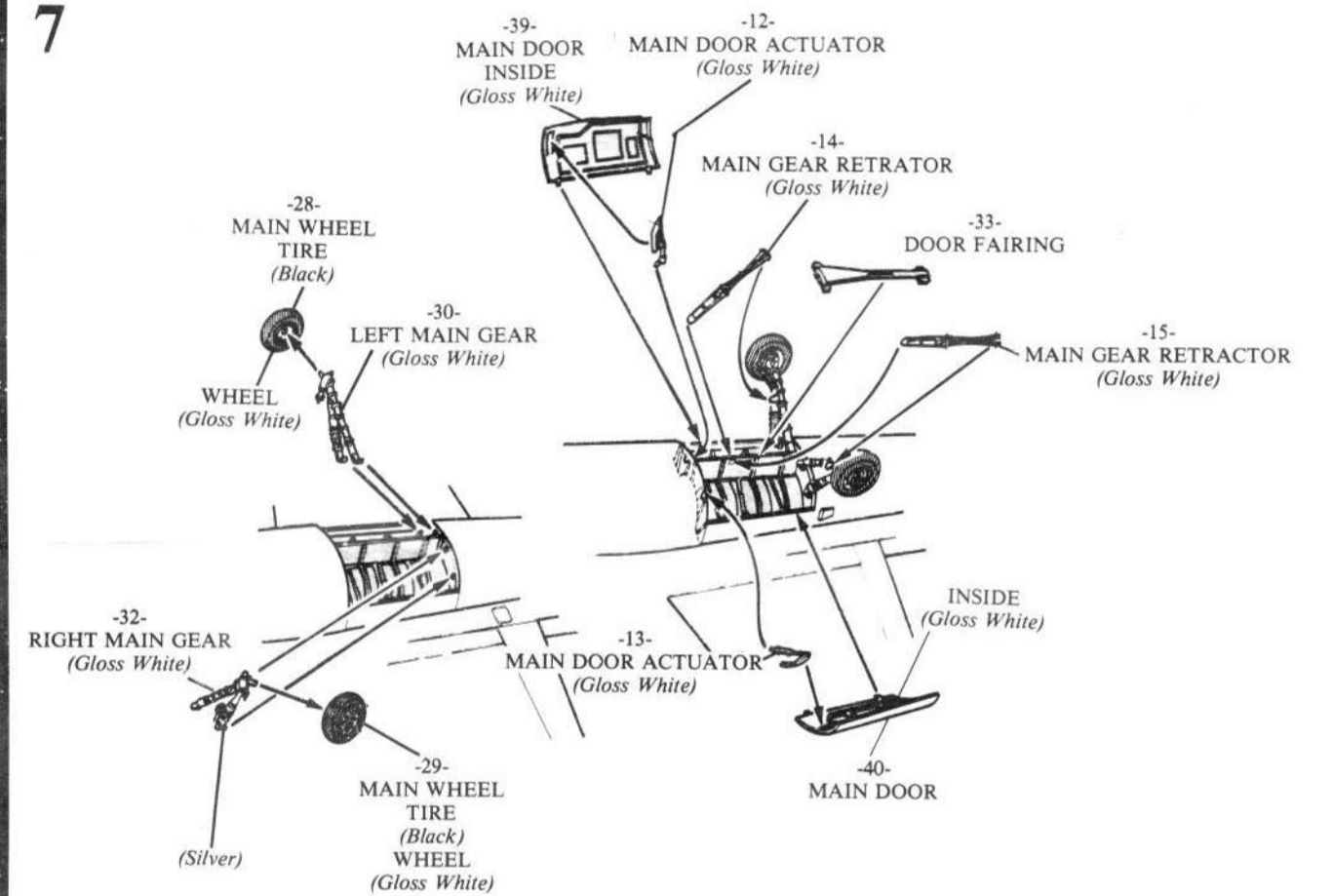
5



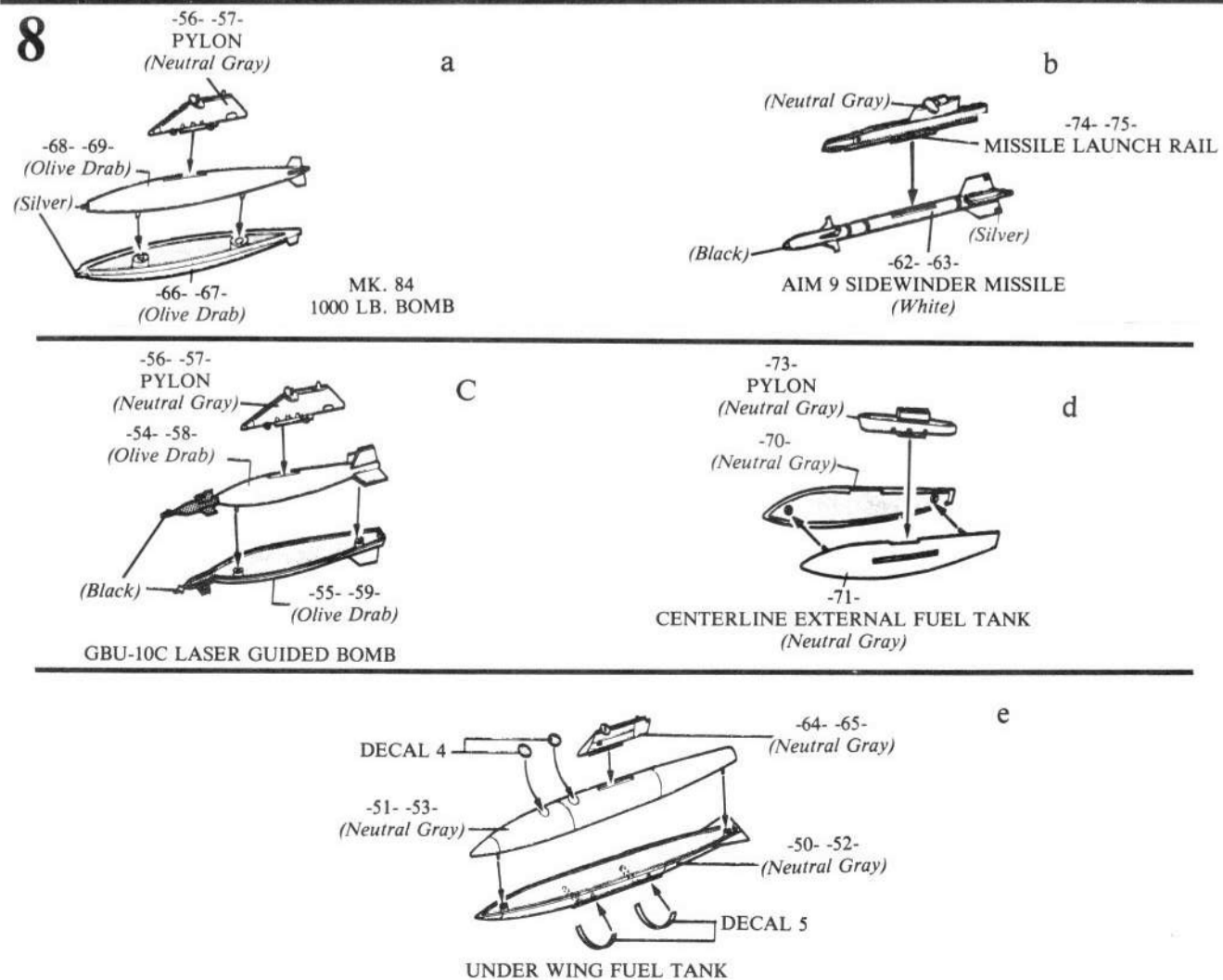
6



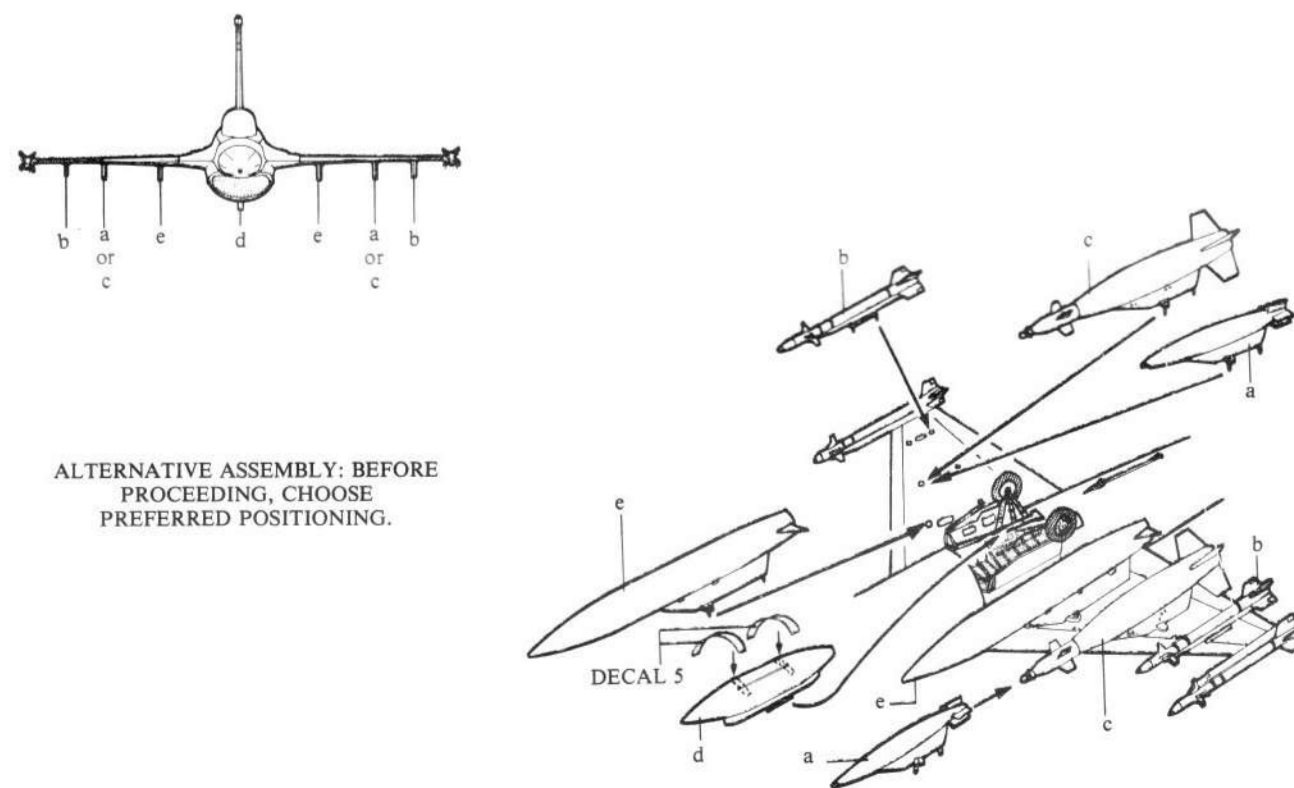
7



8



9



10

