

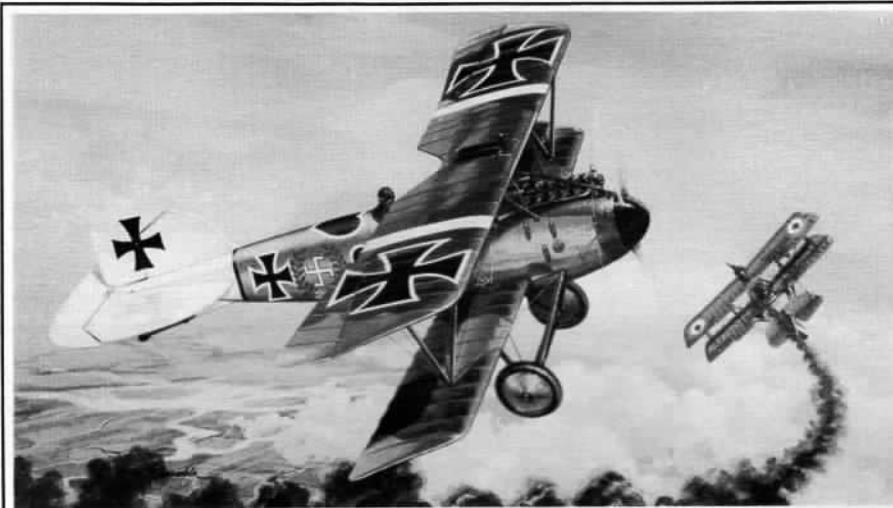
ALBATROS DIII 1/48 Scale

05101

GLENCOE



MODELS



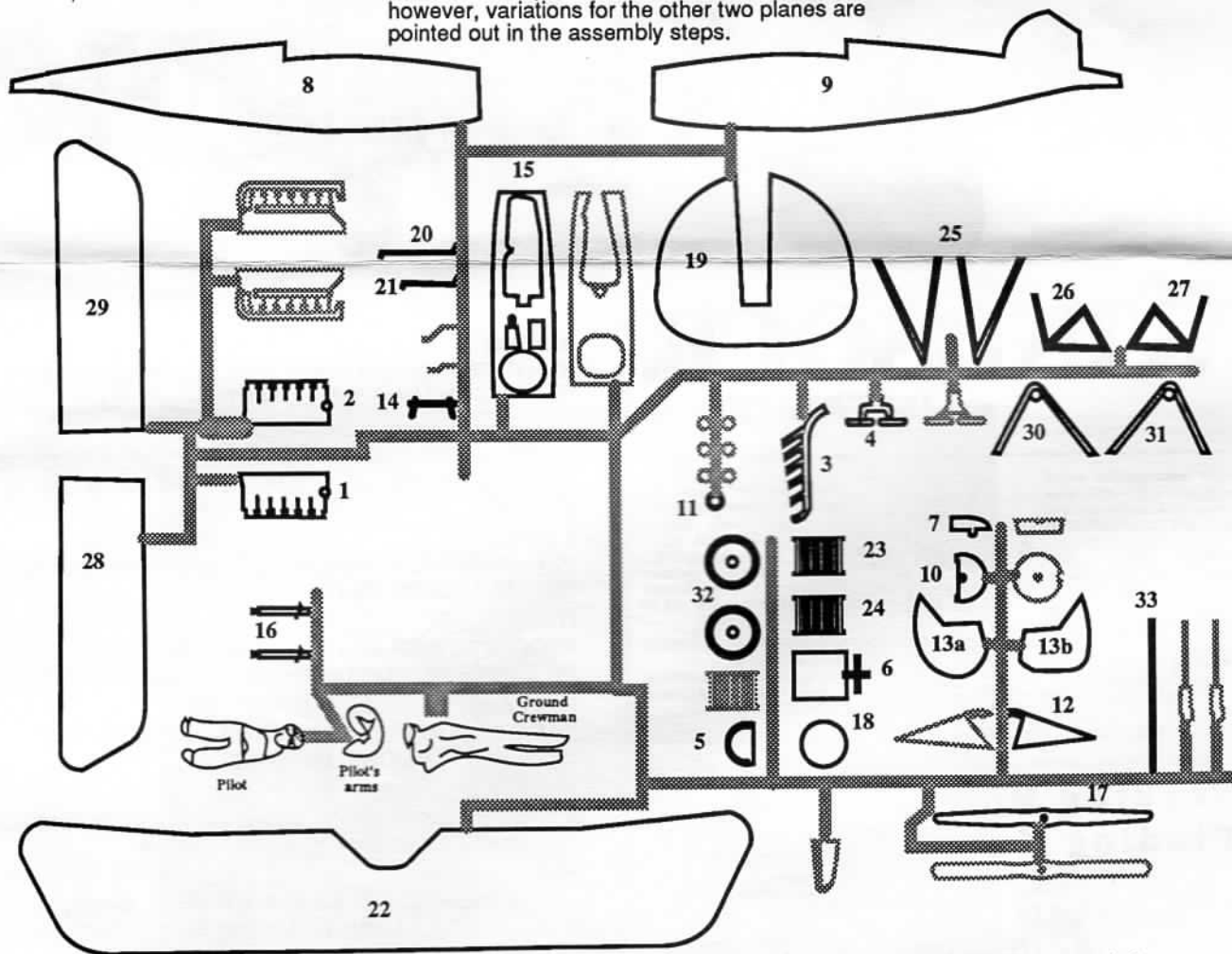
The Albatros DIII has an evolution which began with a plywood-fuselaged racing biplane built before the Great War. Albatros designers Thelen, Gnaedig and Schubert combined this experience and the reliable, water-cooled, Mercedes engine to produce perhaps the best and most effective of all the Albatros scout fighters.

The DIII first reached the Western front in Jan 1917. By summer of that same year, the DIII had caused so much destruction that April became known as "Bloody April" to the Allies. The DIII served on all fronts and almost all of Germany's aces cut their teeth on this aircraft.

Model made by William Brown
Figures sculptured by William Merklein

Box art/John Amendola

Basic assembly instructions are for Voss' plane, however, variations for the other two planes are pointed out in the assembly steps.



NOTE: Unnumbered parts are not used on this model.



Cement Parts
Coller
Kleben
Pegar
Incollare
Colar
Kleven



Do Not Cement Parts
Ne Pas Coller
Nicht Kleben
No Pegar
Non Incollare
Nao Colar
Niet Kleven



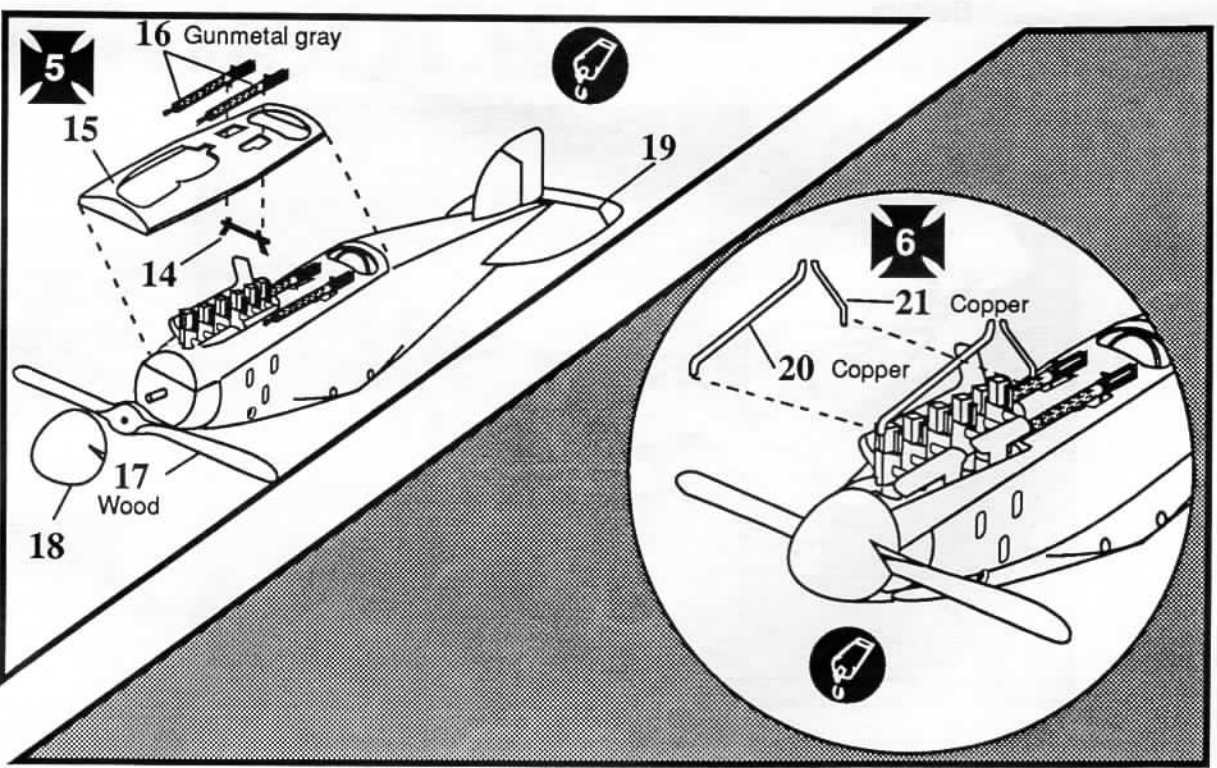
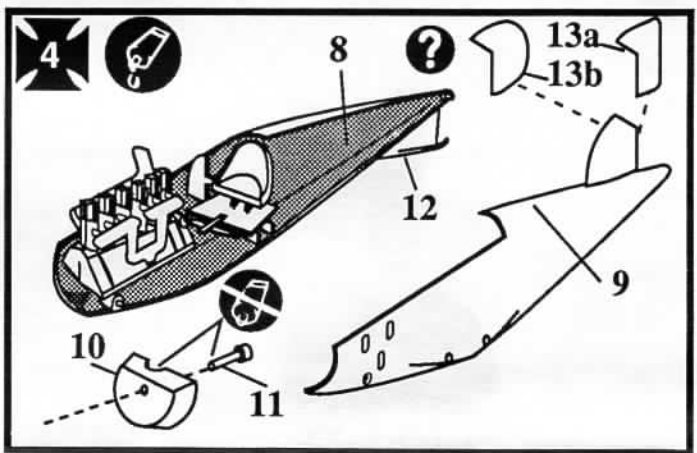
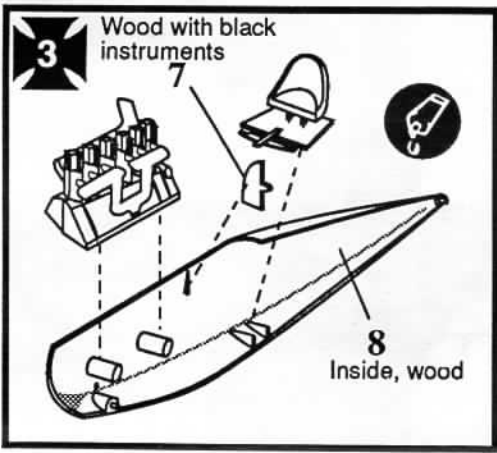
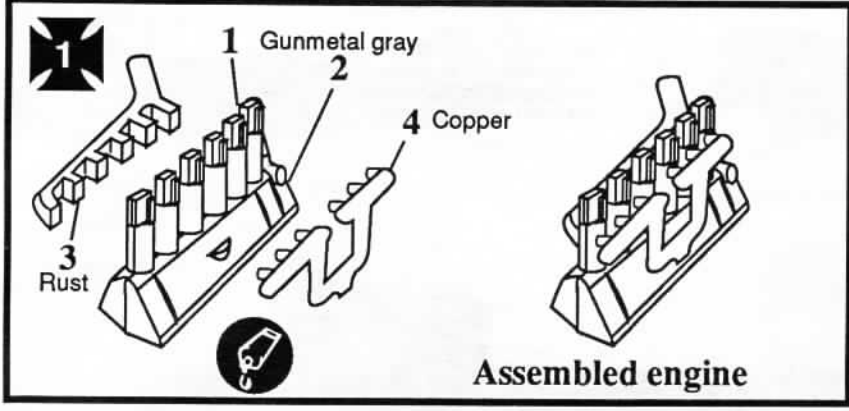
Cut Away
Couper
Schneiden
Cortar
Tagliare
Cortar
Snijden

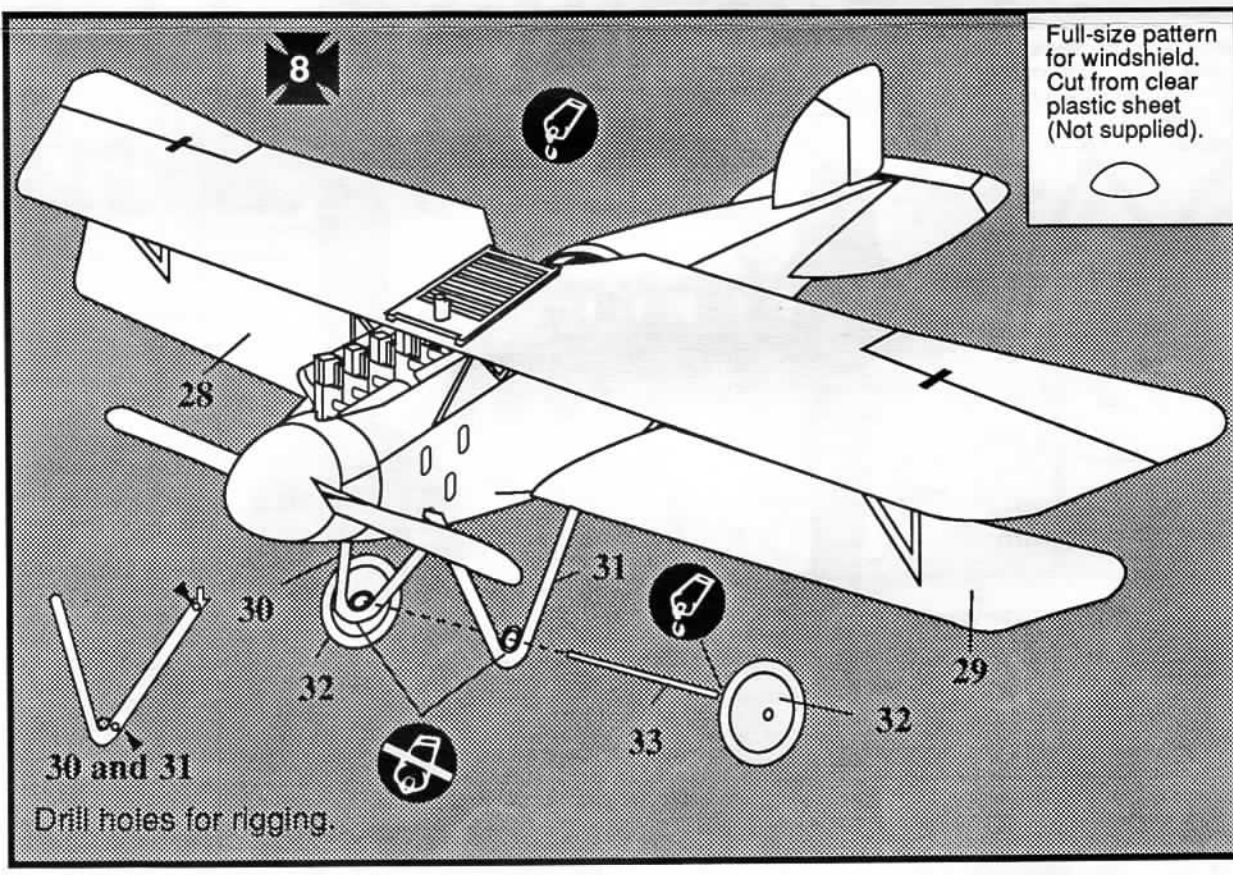
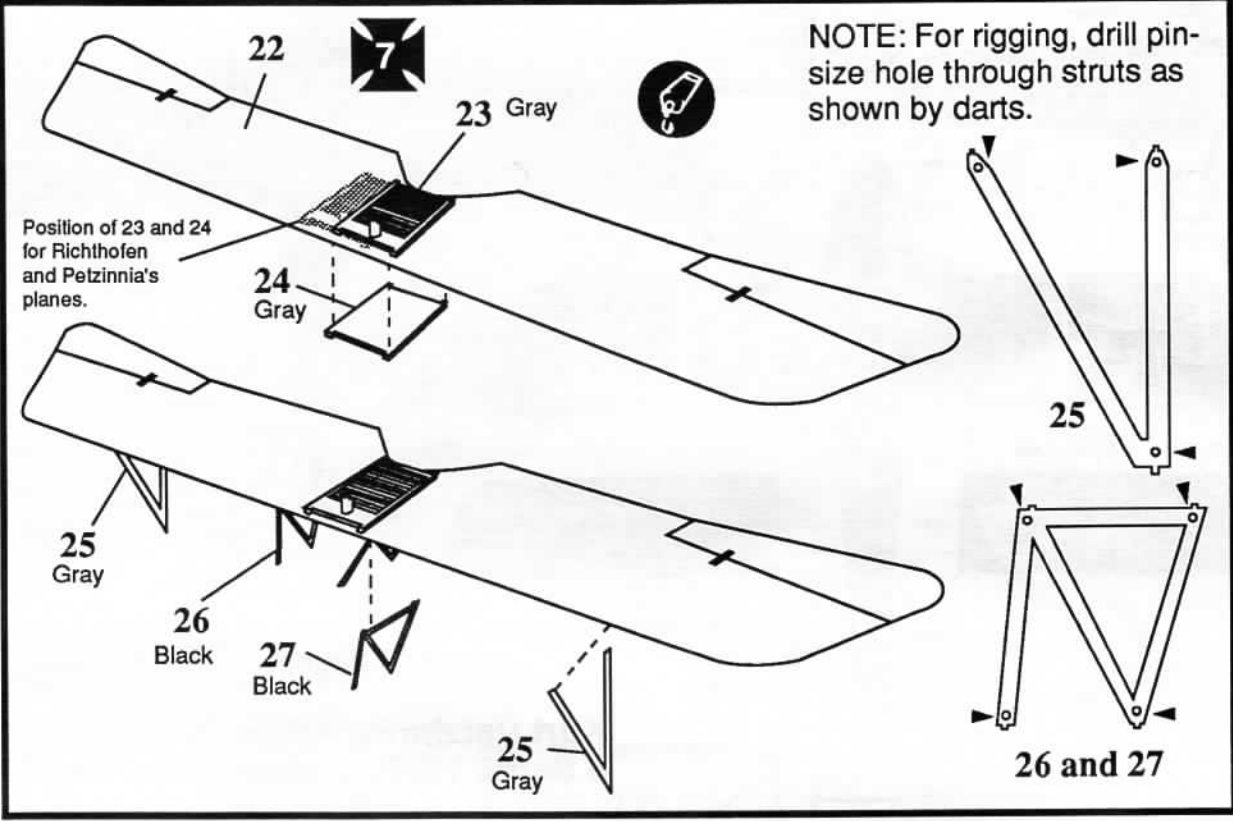


Optional Parts
Choix
Auswahlmöglichkeit
Eleccion
Scelta
Opcao
Keuze



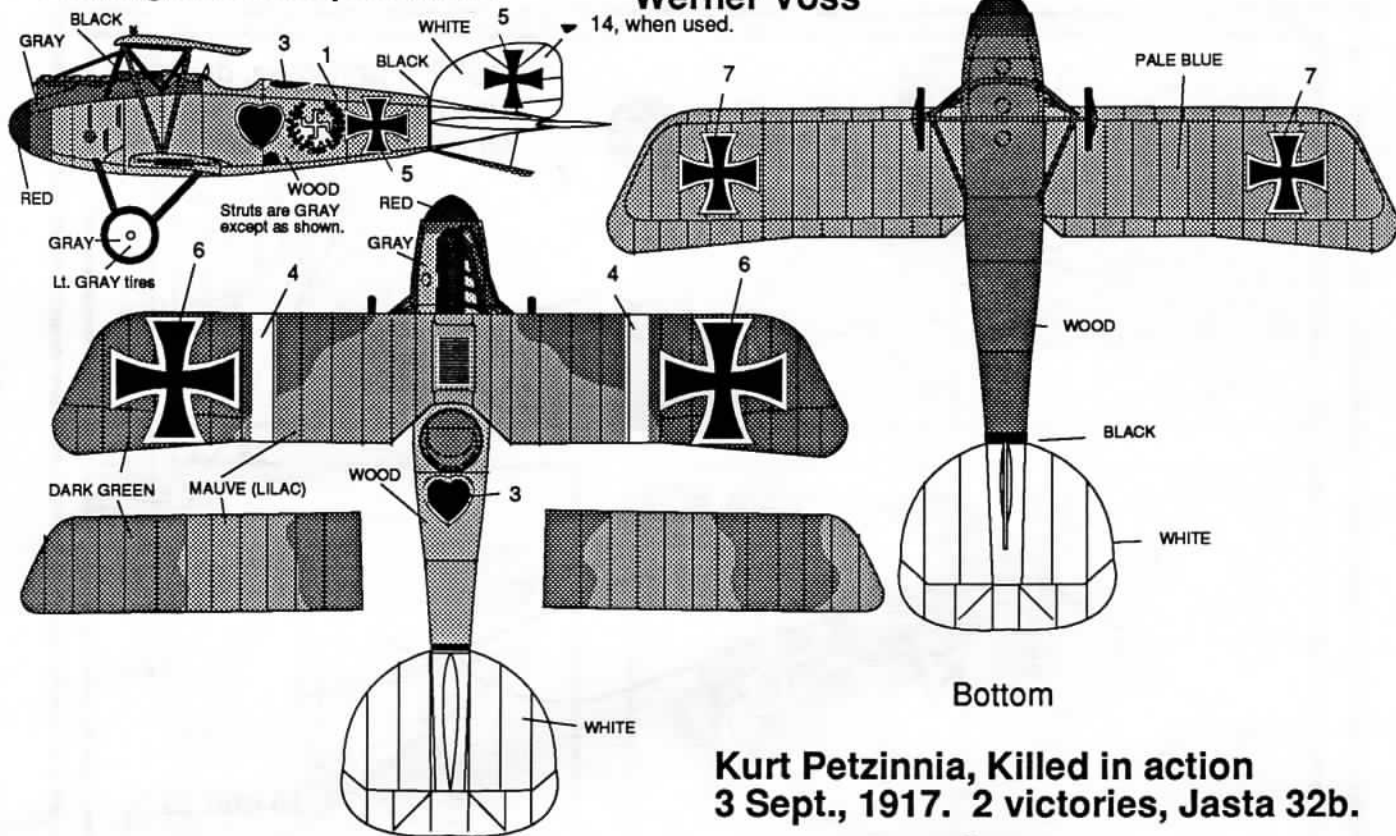
Repeat Operation
Répéter l'opération
Worgang Wiederholen
Repitir la operacion
Repetere
Repitir a Opração
Herhalen





Painting and decal placement

Werner Voss

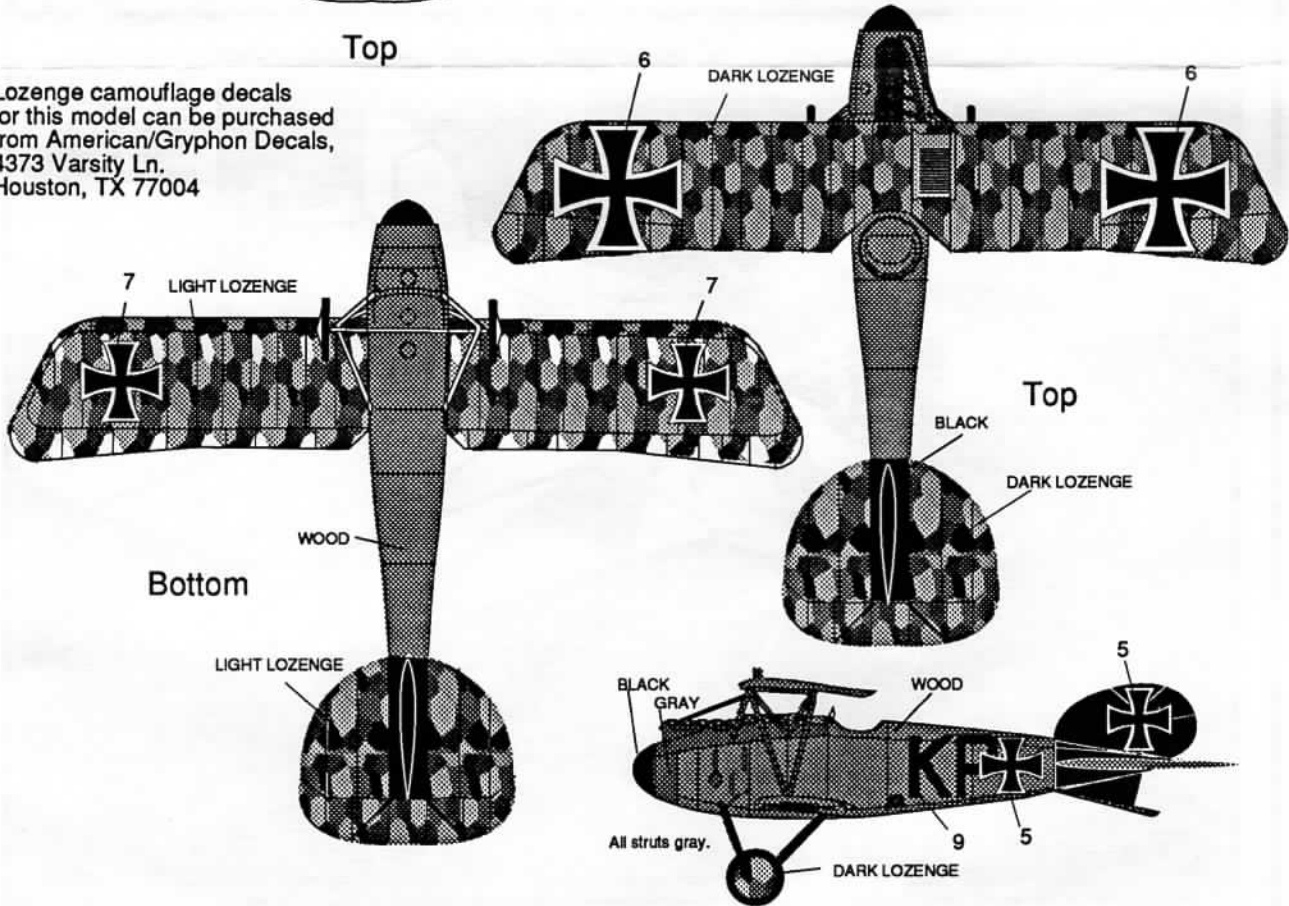


Top

Bottom

**Kurt Petzinnia, Killed in action
3 Sept., 1917. 2 victories, Jasta 32b.**

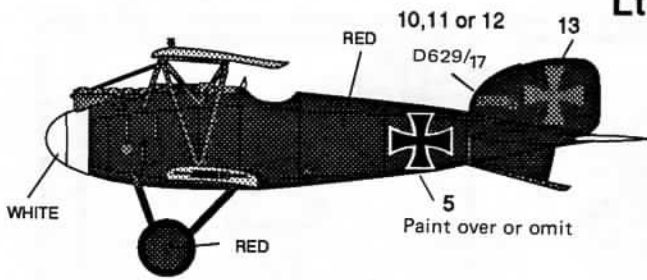
Lozenge camouflage decals for this model can be purchased from American/Gryphon Decals, 4373 Varsity Ln. Houston, TX 77004



Bottom

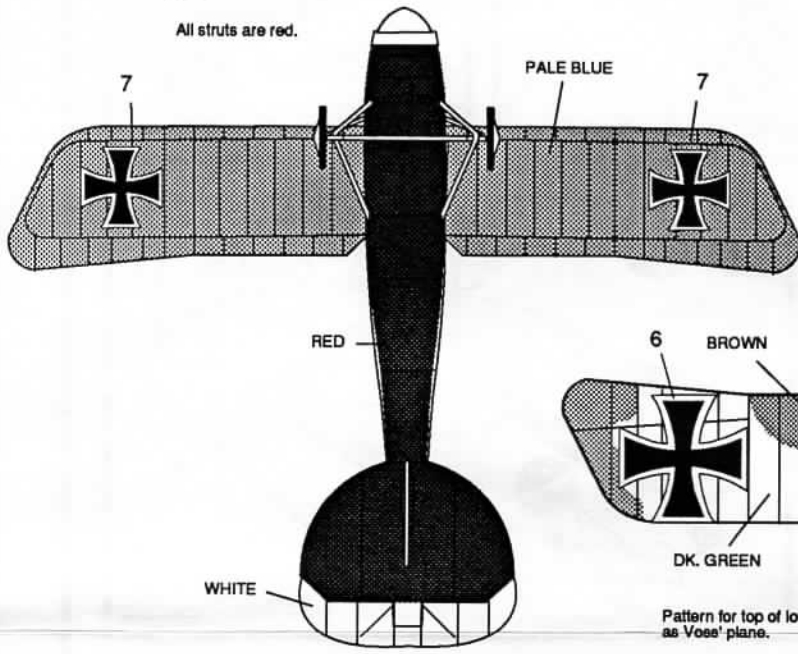
Top

Lt. Karl Allmenroder, Jasta 11, May 1917

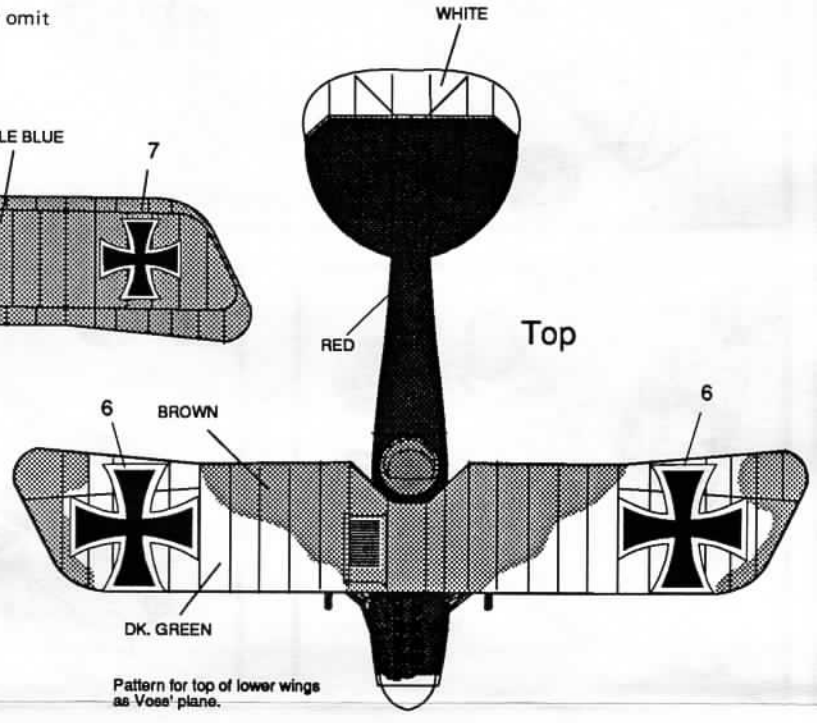


Decals #10 to 13 are printed in red to depict the overpainted black markings, which showed through the red paint as a darker red.

All struts are red.

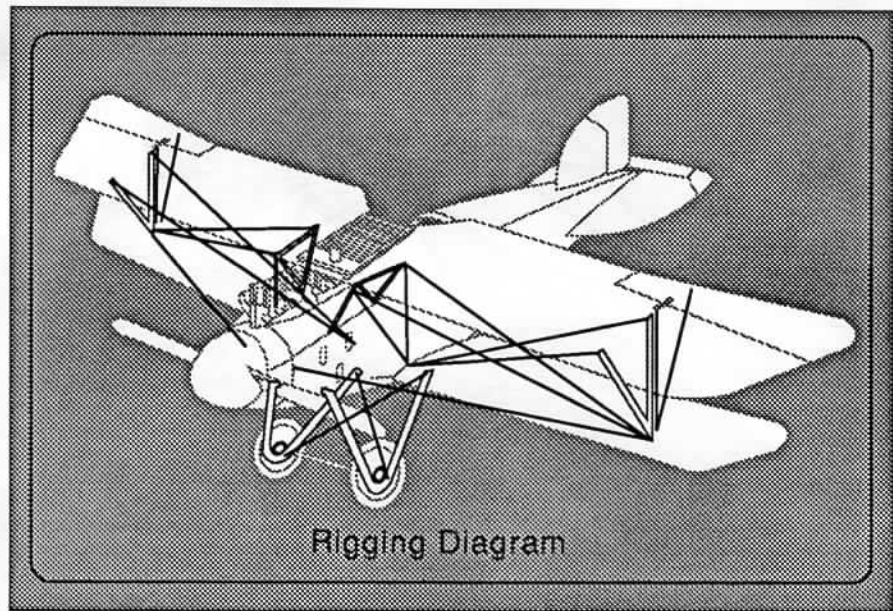


Bottom



Top

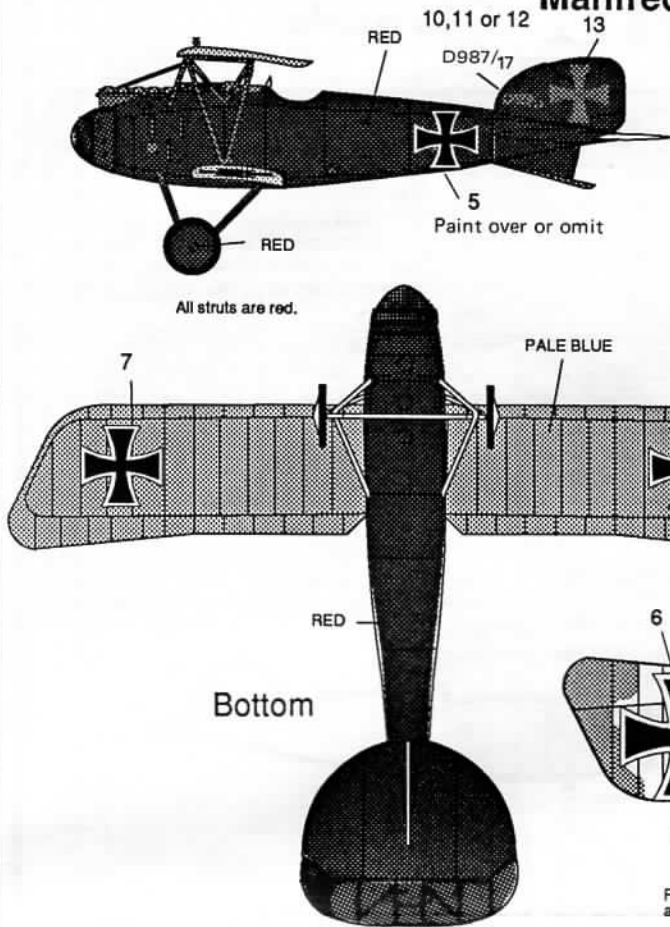
Pattern for top of lower wings as Voss' plane.



Rigging Diagram

Manfred Von Richthofen, the "Red Baron".

Decals #10 to 13 are printed in red to depict the overpainted black markings, which showed through the red paint as a darker red.



WINDSOCK INTERNATIONAL

ISSN 0268-6422
THE JOURNAL FOR WORLD WAR ONE AEROPLANE ENTHUSIASTS AND MODELLERS

1990 Subscription rates (includes p&p) (Overseas subscribers, please remit in Sterling if possible although we will accept foreign currency cheques - your local bank will advise current exchange rates.)

UK.....£21.00
Overseas (surface).....£23.00
Airmail (USA/
Canada).....£27.00
Airmail (Australia/
NZ/Japan).....£29.00

NOW
6 issues per year!

Edited by Ray Rimell, this unique bi-monthly magazine is packed with unique reference material, scale plans, rare photographs, colour photos, product reviews and more! Sample copy of Windsock £3.30 (\$6.00) POST FREE!

Also published by Albatros productions - WINDSOCK DATAFILES on famous WW1 aeroplanes. Send large SAE (or 4 IRCs) for 'catalogue' to ALBATROS PRODUCTIONS, LTD., 10 Long View, Berkhamsted, Herts. HP4 1BY, U.K. (Tel: 0442 875838)

Needing Help Finding Kits?



JOHN W. BURNS
3213 Hardy Drive
Edmond, OK 73013

BRITAIN

"CAUTION: NOT SUITABLE FOR CHILDREN UNDER 3 YEARS. CONTAINS SMALL PARTS."

FRANCE

CERTAINS PRODUITE CONTIENNENT DES PIÈCES DE PETITE DIMENSION QUI NE CONVIENT PAS A UN ENFANT DE MOINS DE 36 MOIS.

GERMANY

VORSICHT: NICHT FÜR KINDER UNTER 36 MONATEN-ERTHÄLT KLEINE TEILE.

ITALY

PRODOTTO NON ADATTO AI BAMBINI DI ETA INFERIORE AI 36 MESI. CONTIENE PICCOLLO OGGETTI.

HOLLAND

KAN GEVAAR OPLEVEREN VOOR KINDEREN TOT 3 JAAR. BEVAT KLEINE UNDERDELEN.

PORTUGAL

ATENCAO: IMPRÓPRIO PARA CRIANÇAS COM MENOS DE 3 ANOS. CONTÉM PEÇAS PEQUENAS.

SPAIN

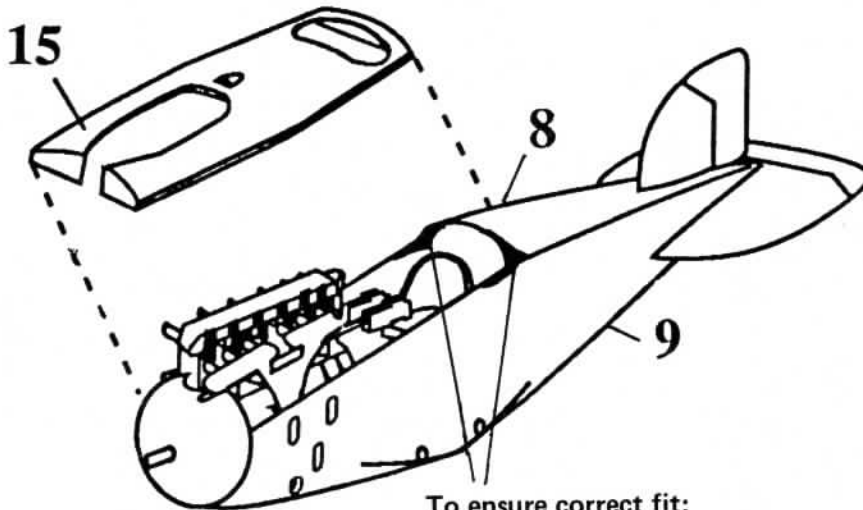
ATENCIÓN: NO ES CONVENIENTE PARA NIÑOS MENORES DE 3 AÑOS. CONTIENE PIEZAS PEQUENAS.

DENMARK

FORSIGTIGI IKKE EGNET TIL BØRN UNER 3 ÅR. INDEHOLDER SMA DELE.

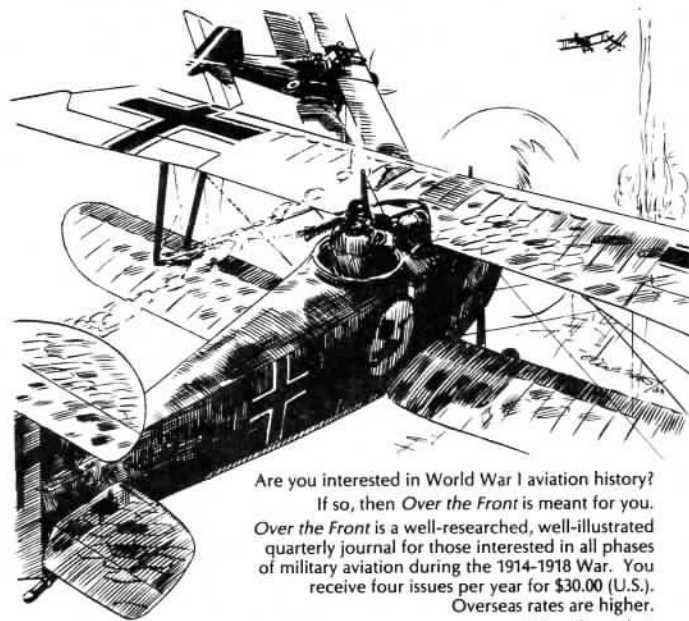
GREECE

ΠΡΟΣΟΧΗ: ΔΕΝ ΕΙΝΑΙ ΚΑΤΑΛΛΗΛΟ ΓΙΑ ΠΑΙΔΙΑ ΚΑΤΩ ΤΩΝ ΤΡΙΩΝ ΕΤΩΝ ΠΕΡΙΕΧΕΙ ΜΙΚΡΑ ΤΕΜΑΧΙΑ.



To ensure correct fit:
Trim parts 8 and 9 to fit part 15

AIR WAR 1914-1918



Are you interested in World War I aviation history?

If so, then *Over the Front* is meant for you.

Over the Front is a well-researched, well-illustrated quarterly journal for those interested in all phases of military aviation during the 1914-1918 War. You receive four issues per year for \$30.00 (U.S.).

Overseas rates are higher.

Subscribe today!

Make your check payable to
The League of World War I Aviation Historians.

Please send to: Treasurer
League of World War I Aviation Historians
P.O. Box 260327, Plano, Texas 75026-0327, U.S.A.

OVER THE FRONT