

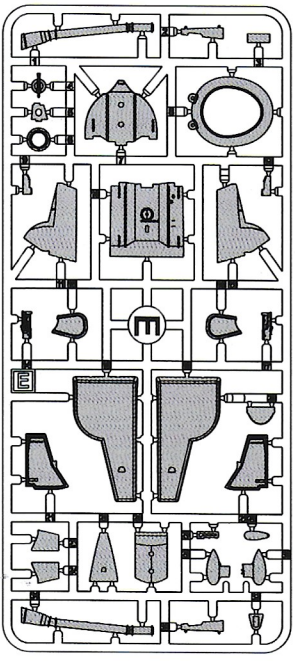
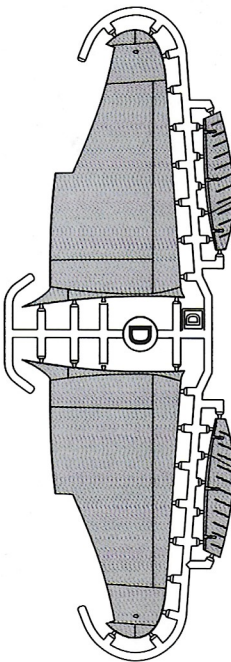
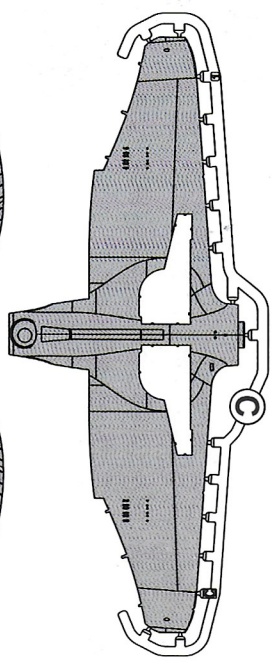
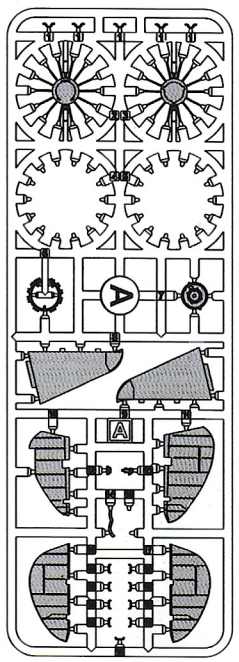
1/48 SCALE MODEL CONSTRUCTION KIT



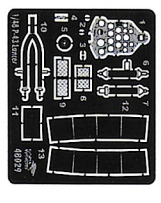
# Republic P-43 Lancer

DW 48029

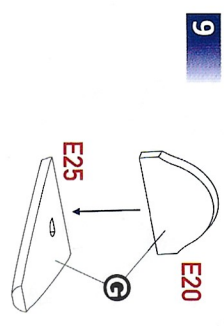
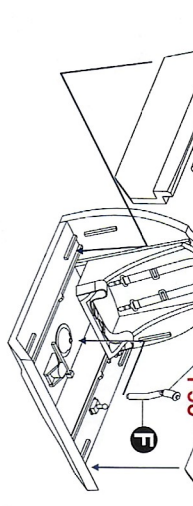
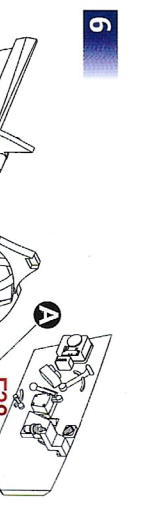
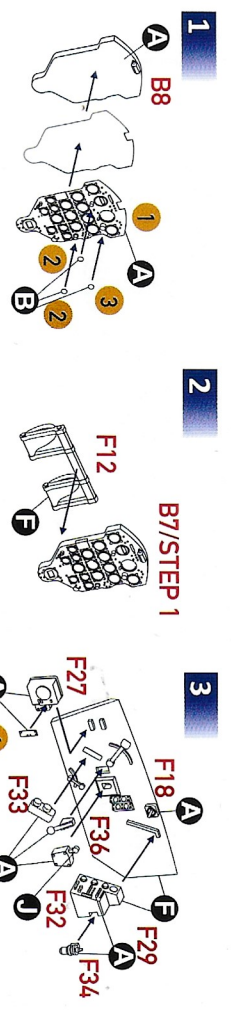
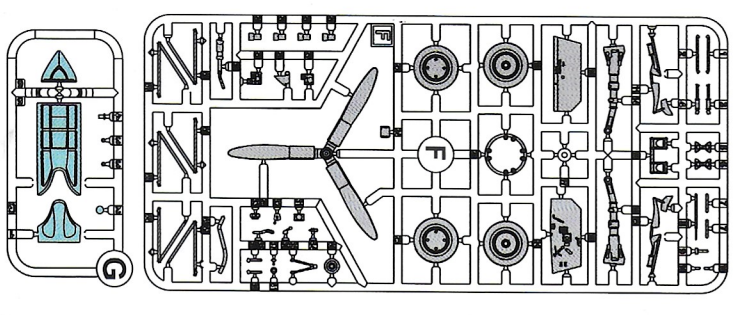
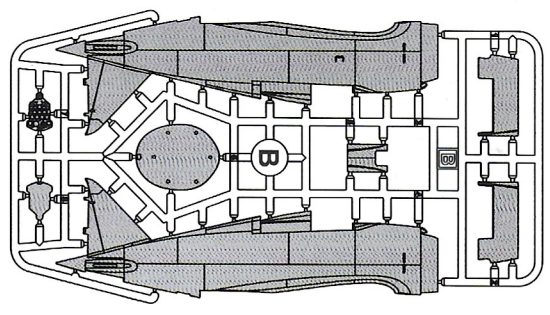




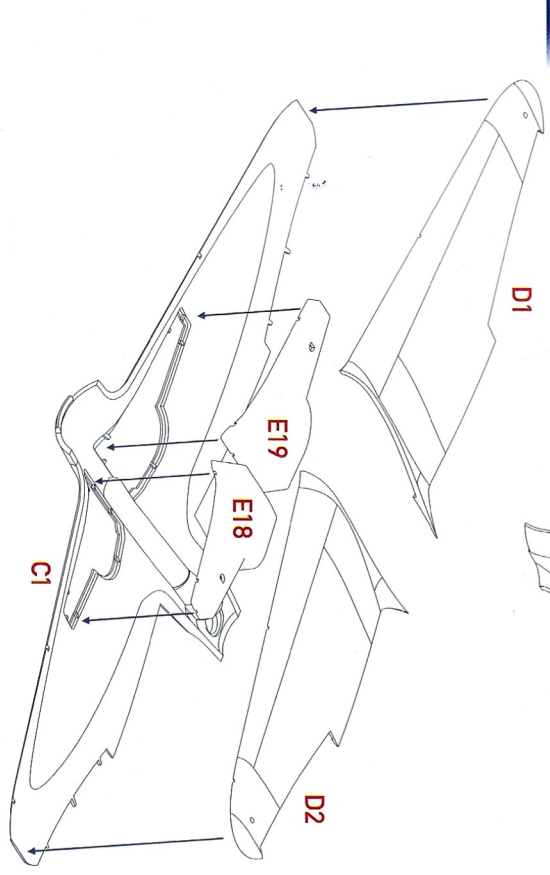
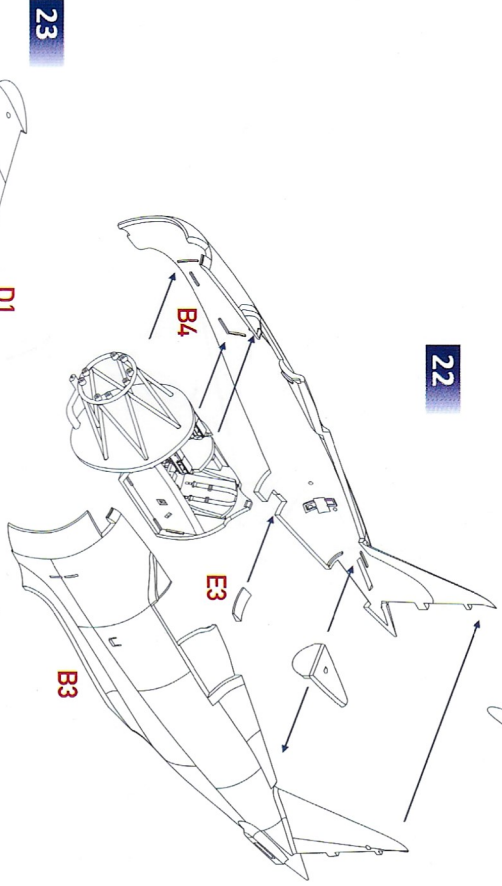
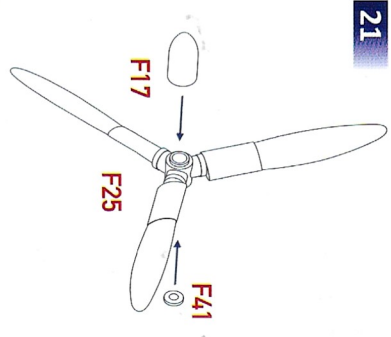
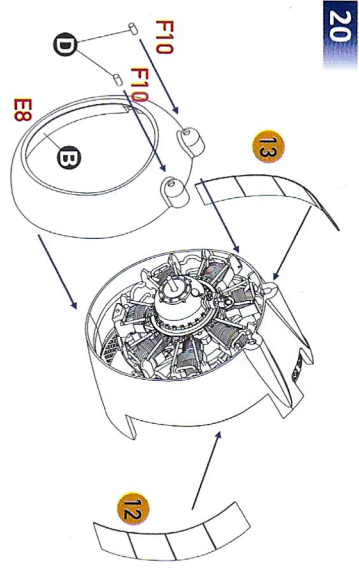
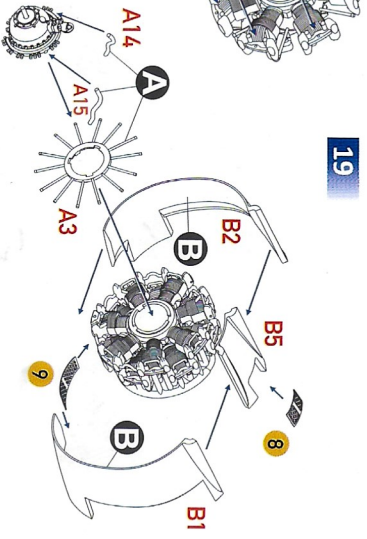
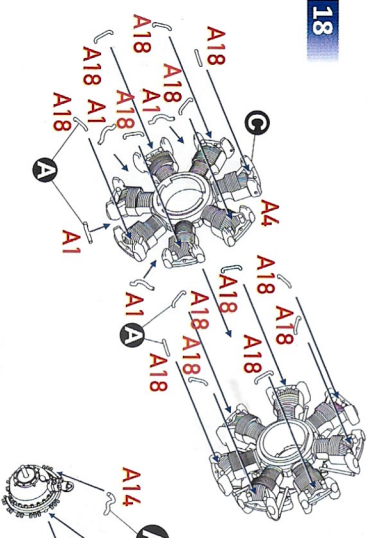
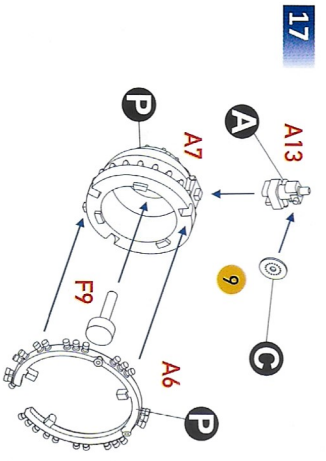
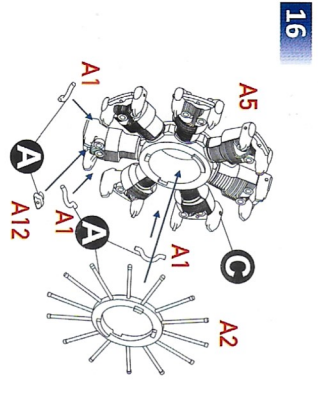
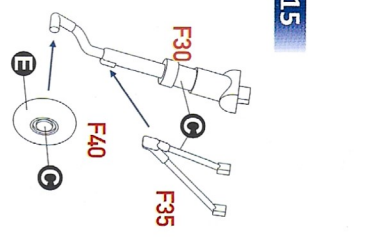
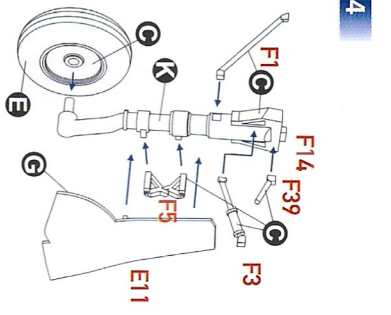
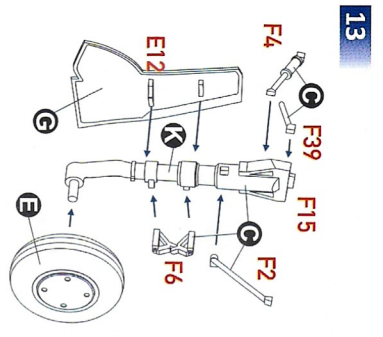
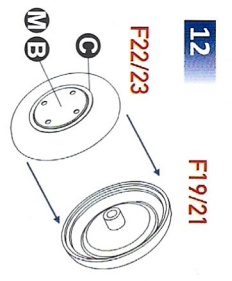
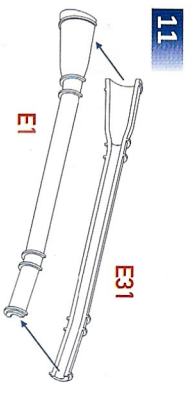
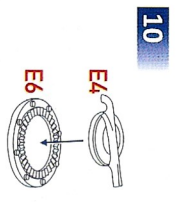
Mask

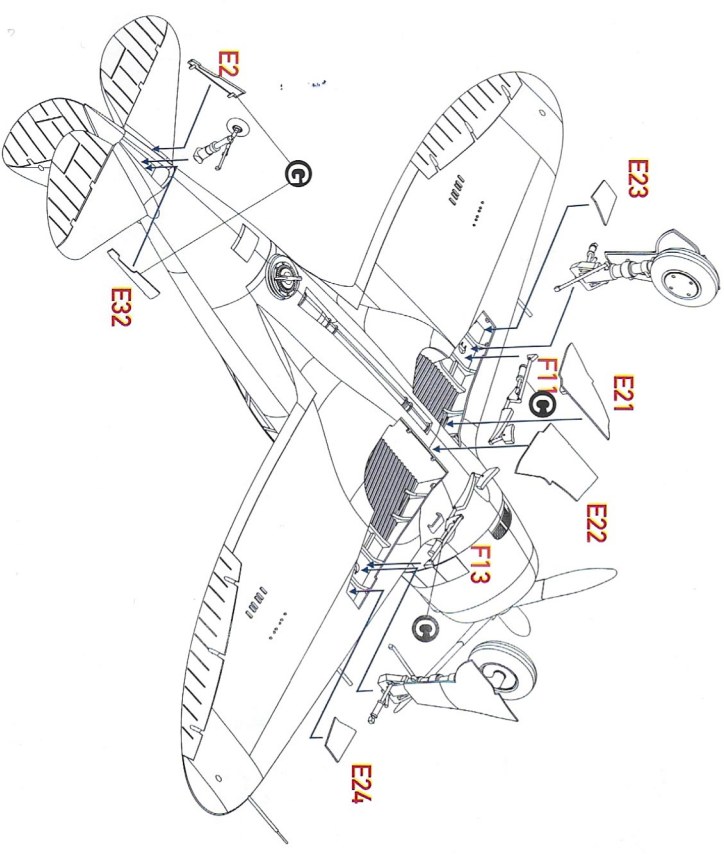
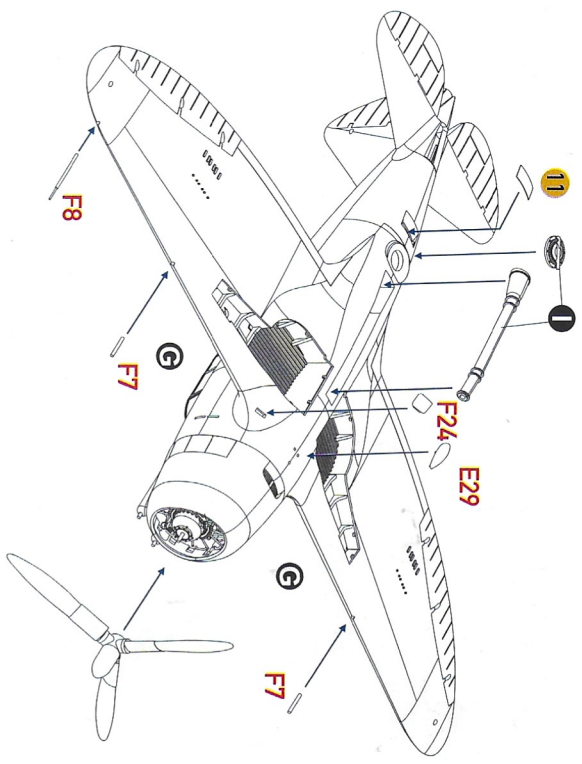
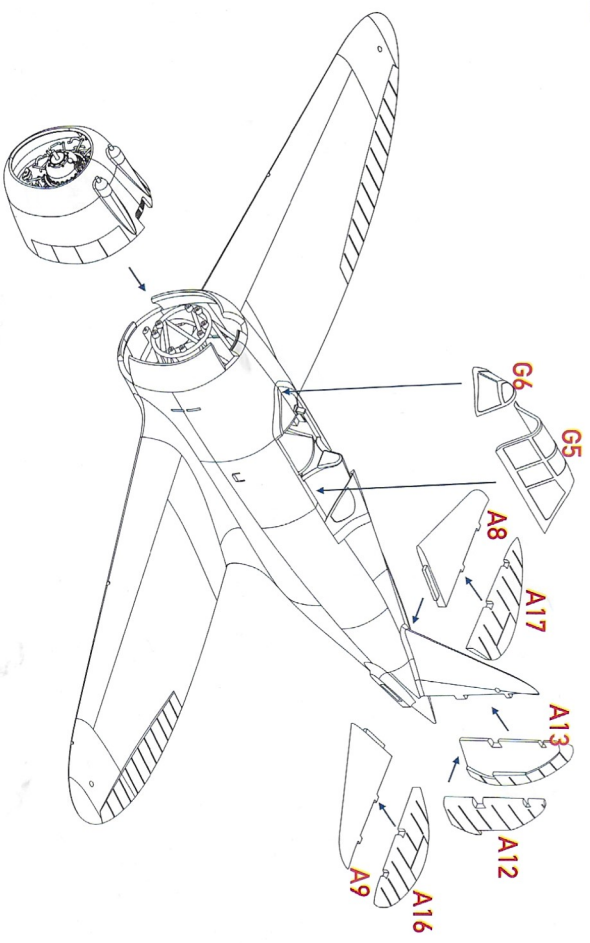
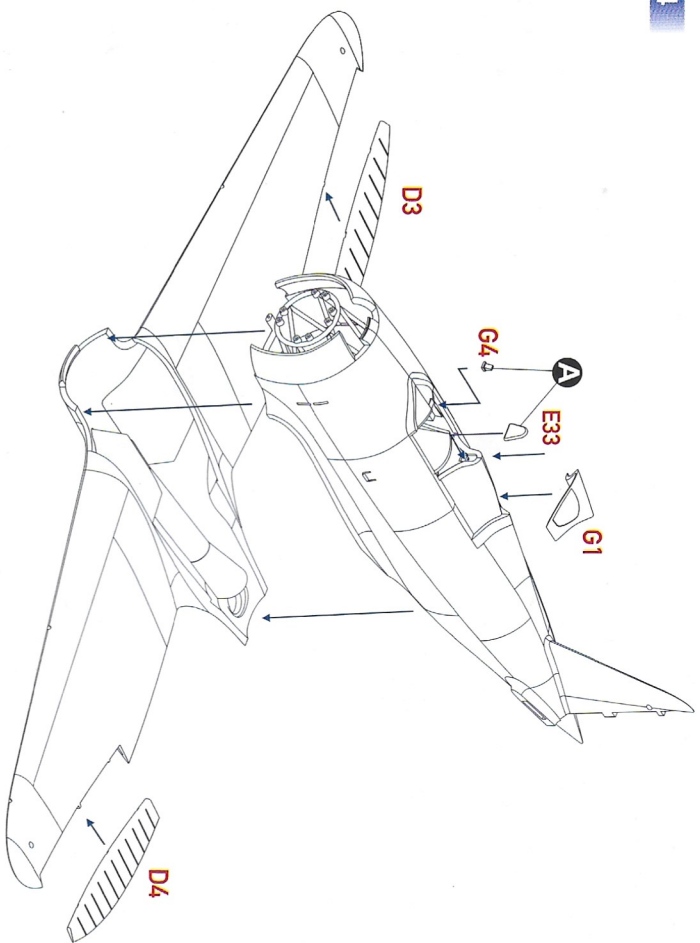


Pe

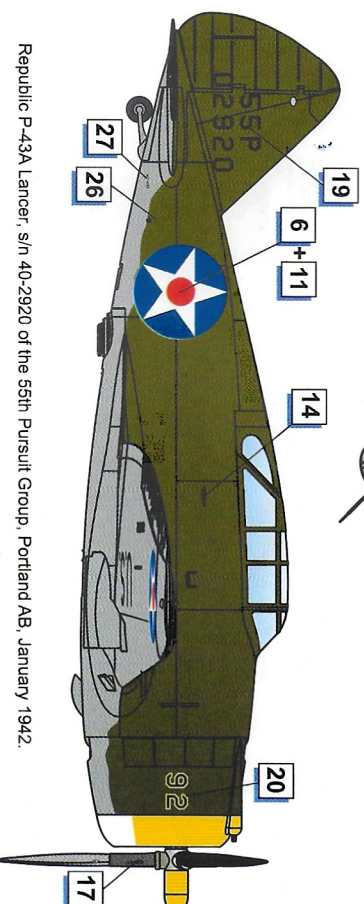
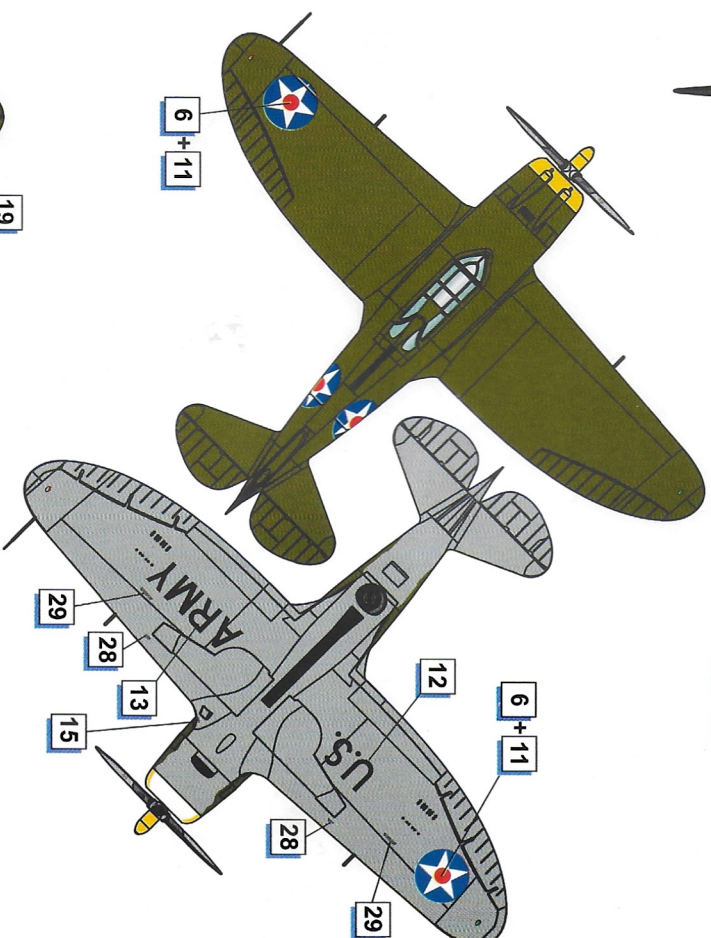
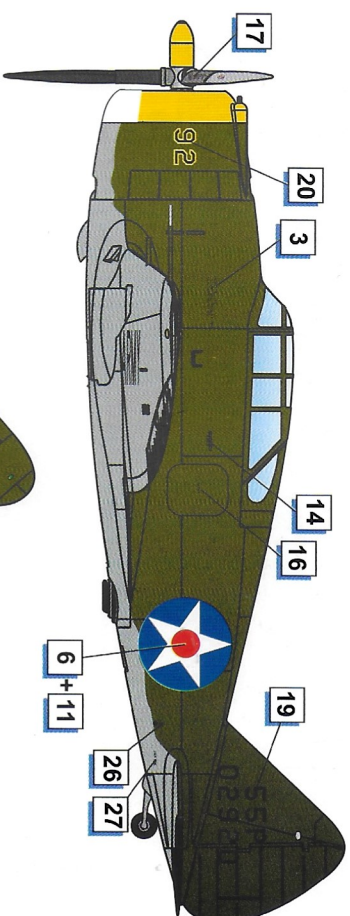
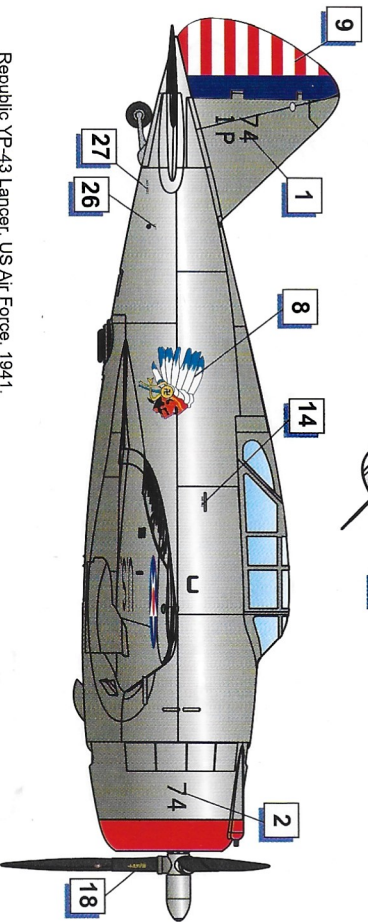
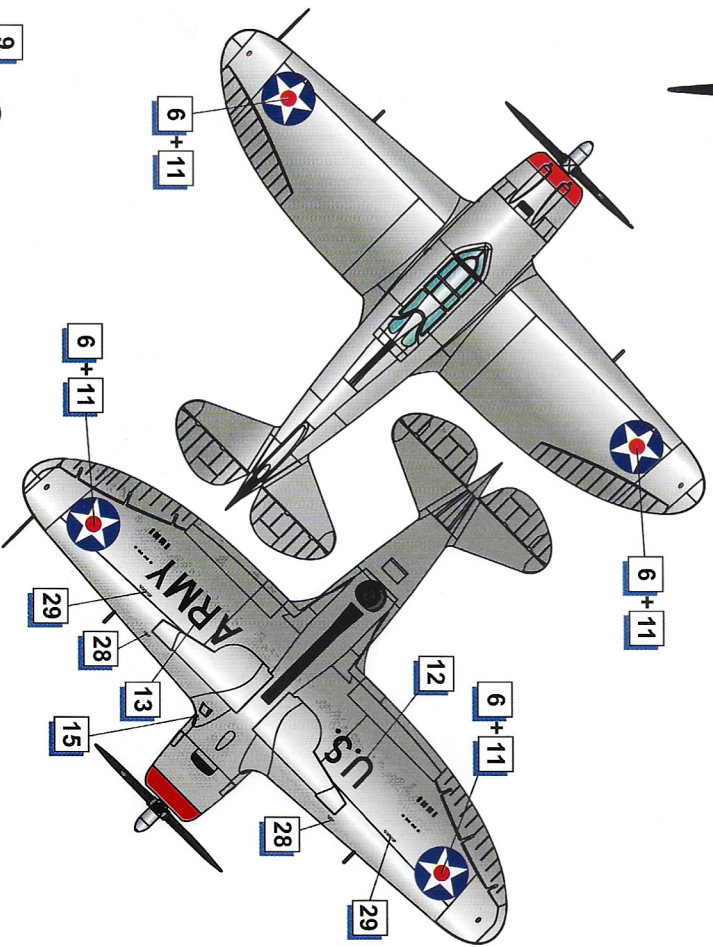
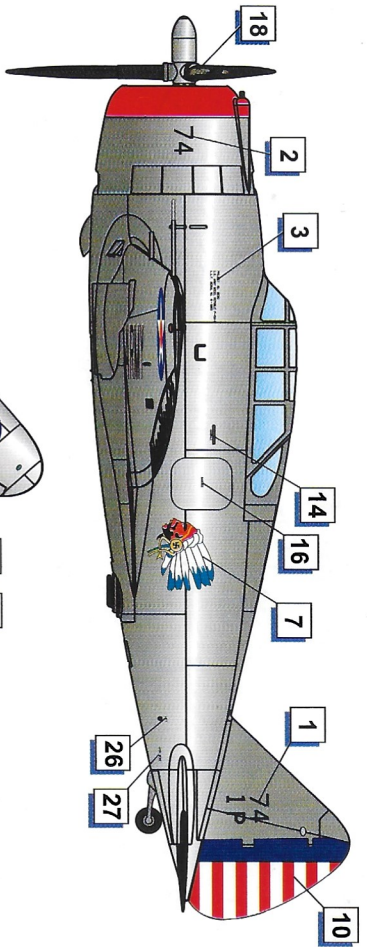








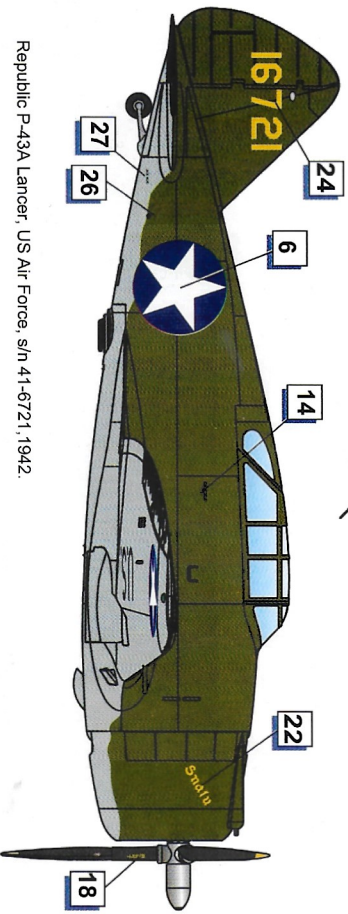
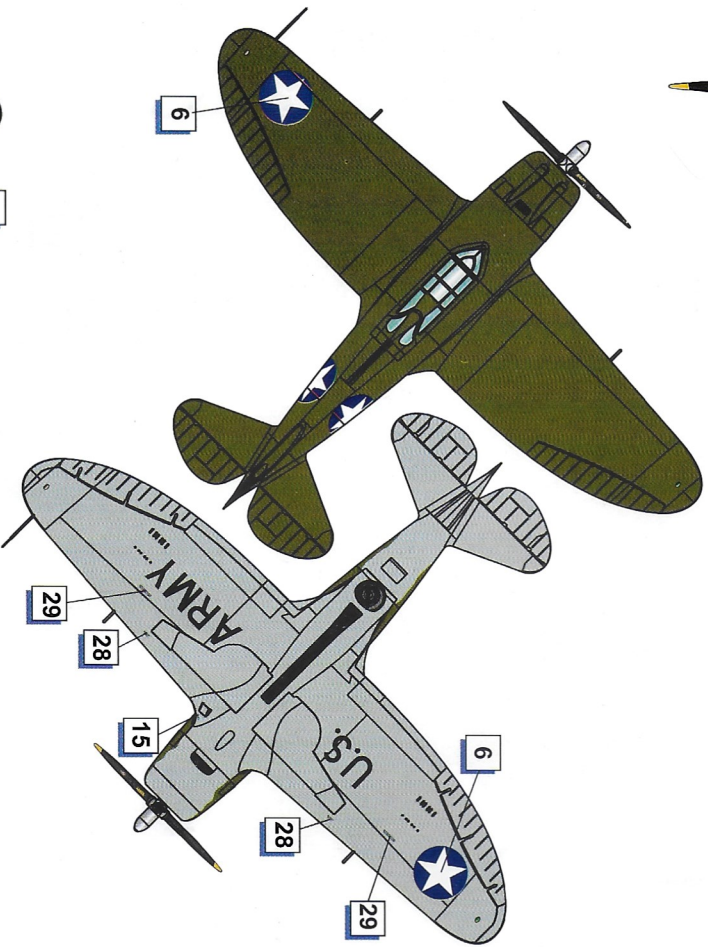
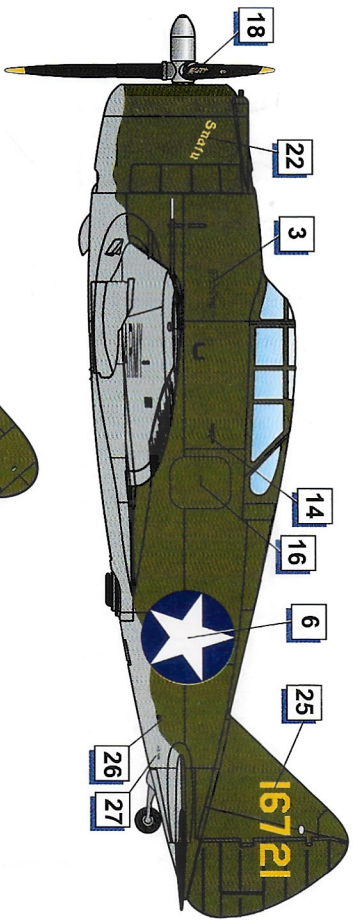




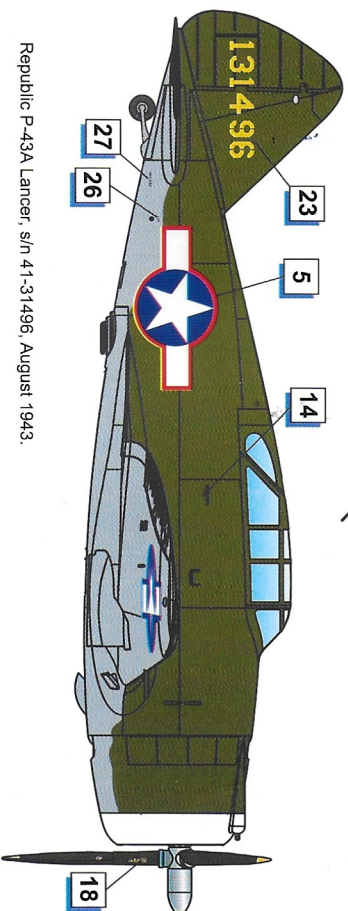
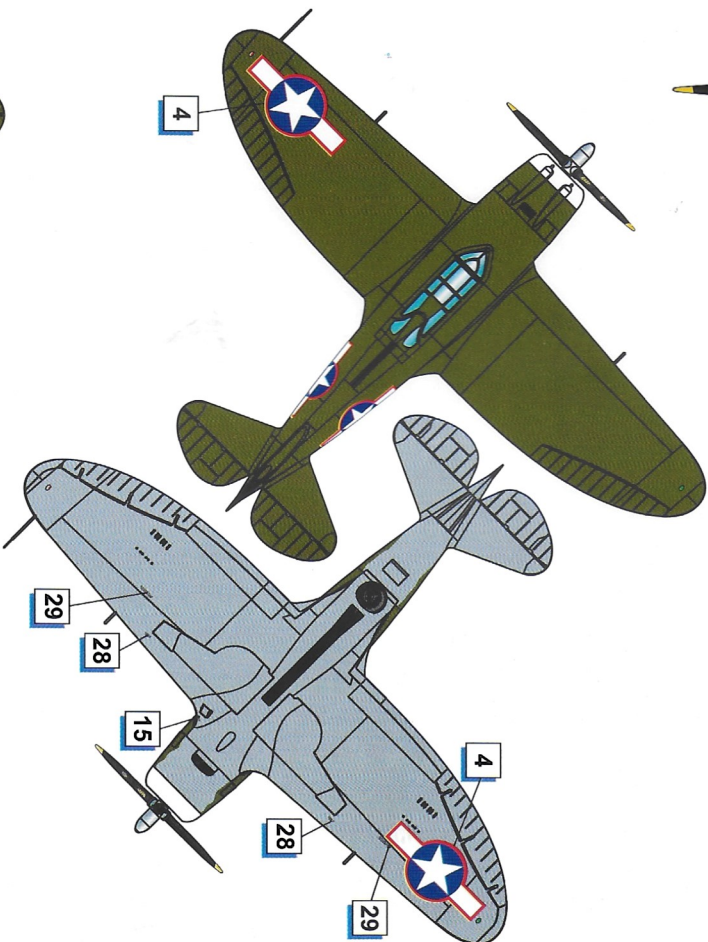
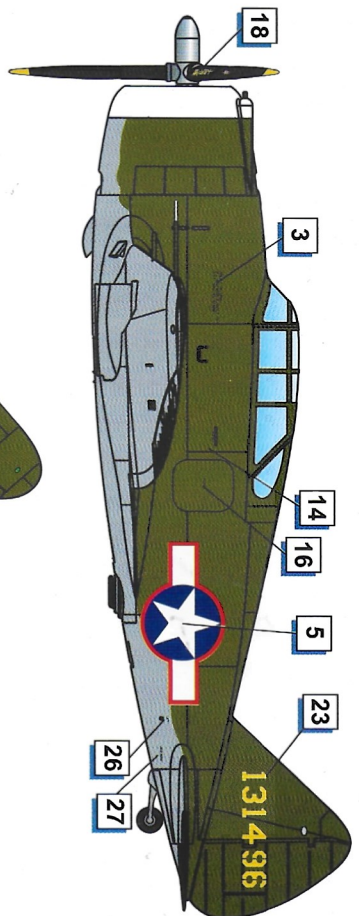
Republic YP-43 Lancer, US Air Force, 1941.

Republic P-43A Lancer, s/n 40-2920 of the 55th Pursuit Group, Portland AB, January 1942.





Republic P-43A Lancer, US Air Force, s/n 41-6721, 1942.



Republic P-43A Lancer, s/n 41-31496, August 1943.



**COLOR TABLE**

Color Chart	MR. HOBBY	Tamiya	AMMO MIG	Hataka	LIFECOLOR
Black	<b>A</b> C33/H12	Xf-1	MIG 046	HTK 100	LC 02
Silver	<b>B</b> G8/H8	X-32	MIG 195	HTK B003	LC 74
Aluminium	<b>C</b> MC 218	Xf-16	MIG 194	HTK 078	LC 24
Gun Metal	<b>D</b> C78/H28	X-10	MIG 045	HTK 106	LC 26
Rubber Black	<b>E</b> C137/H77	Xf-85	MIG 035		UA 733
Interior Green	<b>F</b> C351/H58		MIG 0220	HTK 211	UA 004
Yellow Chromat	<b>G</b> C352				
Clear Green	<b>H</b> C138/H94	Xf-25	MIG 092		
Burnt Iron	<b>I</b> G61/H76	Xf-25	MIG 187		LC 37
Signal Red	<b>J</b> C79/H11	Xf-2	MIG 049	HTK-103	LC 56
Polished metal	<b>K</b> MC 211	Xf-56	MIG 0192		
Olive Drab	<b>L</b> C38/H78	Xf-62	MIG 0237	HTK 004	UA 005
Neutral Gray	<b>M</b> C13/H53		MIG 0239	HTK 033	UA 046
Clear Red	<b>N</b> C47/H90	Xf-27	MIG 093		
White	<b>O</b> C62/H11	Xf-2	MIG 0047	HTK 101	LC 01
Engine Gray	<b>P</b> C339/H339	Xf-2	MIG 0908	HTK 030	UA 030
Yellow	<b>R</b> C329/H329	X-8		HTK 107	

**USED SYMBOLS**

-  CEMENT
-  DON'T PAINT
-  REMOVE
-  SYMMETRICAL
-  MULTIPLE
-  BEHIND
-  OPEN WHOLE
-  VARIANTS
-  TO PAINT