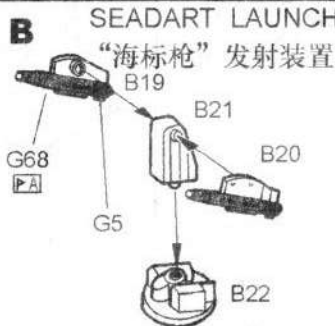


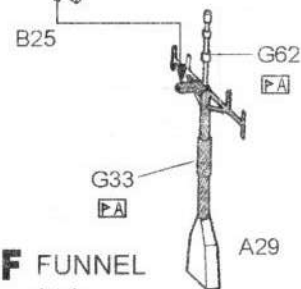


### 1 Equipments Ass'y 武器部分组装

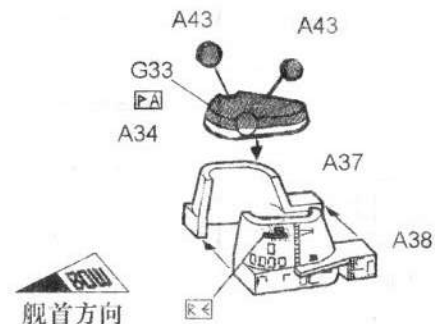


### 2 Building Ass'y

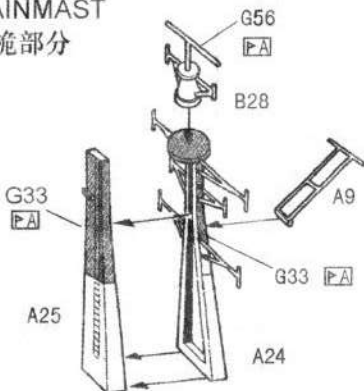
**E** FOREMAST 前桅



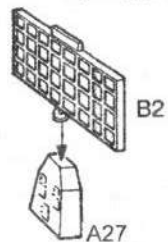
**F** FUNNEL 烟囱



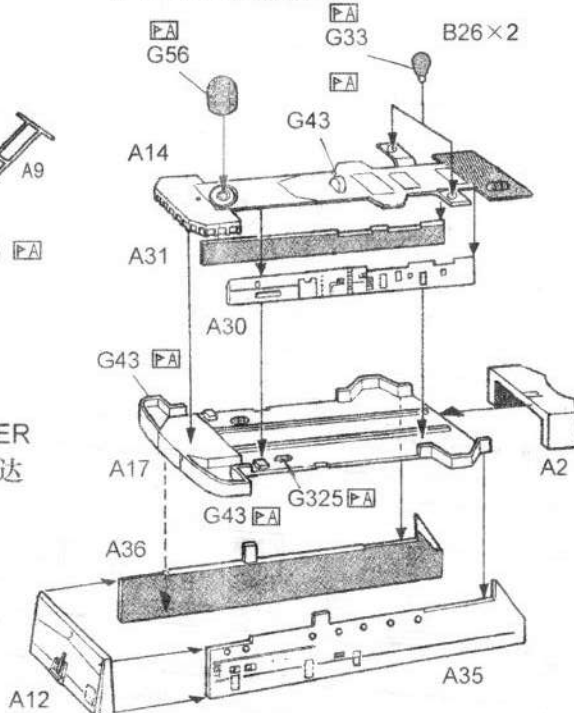
**G** MAINMAST 主桅部分



**H** 965M RADAR 对空警戒雷达



**I** BRIDGE 舰桥



请牢记以下守则

1. 切不可在近火的地方使用模型胶水或漆油。
2. 使用模型胶水或漆油时, 应打开窗户以确保新鲜空气流通, 模型胶水及漆油在使用后, 应确保将盖掩旋紧, 放置在阴凉处避免受阳光直射, 并避免给幼童接触到。模型胶水及大部分漆油都含有挥发性物质, 吸入过量会对健康造成不良影响, 更不可有意嗅察此等挥发性物质。
3. 使用模型制作用剪刀把模型部件从胶架上剪下, 再用模型刀或小锉刮去或磨去多余的塑胶水口。
4. 未成年者使用工具或胶水时必须成人指导。

所有同级别军舰装配基本相同, 需自行装配电机

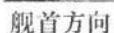
- 1 Never use glue or paint near fire.
- 2 Open window for fresh air when glue or paint is in use. Be sure to close up tightly on glue and away from reach of small children. Glue and most paints contain volatile solvent which is harmful to health if inhaled too much. Do not inhale solvent intentionally.
- 3 Use modelling scissors to take the parts off from the runner and trim any excess plastics with a cutter or a file.
- 4 Children use tools and glue with family.

“谢菲尔德”号导弹驱逐舰在1982年英阿马岛海战中震惊世界。5月4日, 这艘当时英国皇家海军中最先进的驱逐舰正在巡逻中, 被阿根廷空“超军旗”战机用AM39“飞鱼”反舰导弹击中船体的右舷部分, 并诱爆了弹药仓。5月10日, 这艘受重创的战舰在返航途中遭到暴风雨袭击而沉没。5月25日, 同一级别的“考文垂”号遇到相同命运。对于这一级别战舰而言马岛海战是场恶梦。

Falklands War which broke out at Apr. 2nd in 1982 let the world know the name of SHEFFIELD. At May 4th, on the patrol with radar ahead of flag ship, she had a attack of Exocet AM39 antiship missile from super-Standard belonging to Argentina. The missile hit her on the starboard mid-ship, but it was misfired. However, on her way home in tow, she destructed at May 10th by the judgment of impossibility about towing under stormy weather. Even if did not equip early warning plane and close defense firearms, it gave the world a shock that a missile destroyer became the prey of an antiship missile easily. And then, at May 25th, COVENTRY was sunk by 3 shots from Skyhawk bombing. To this class, Falklands was just a nightmare.

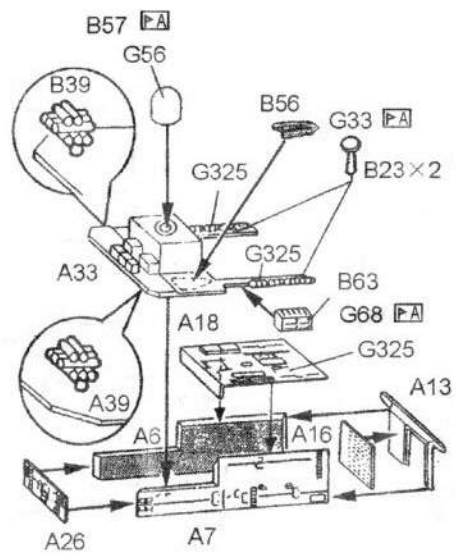
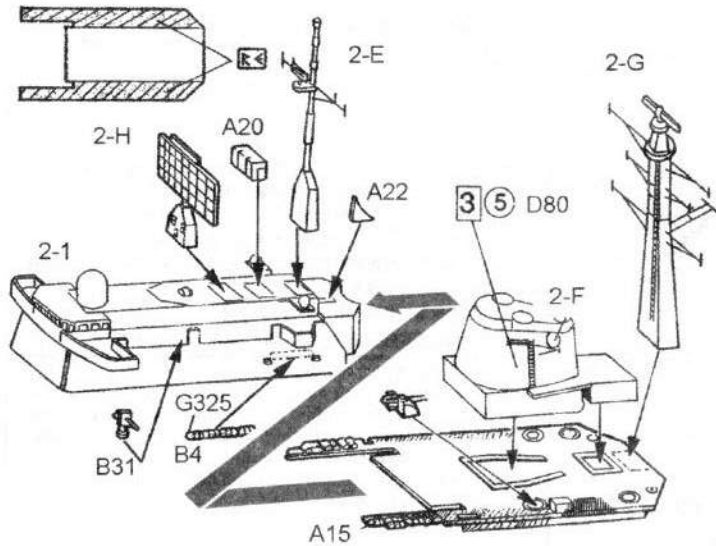
- 选择作用 OPTIONAL
- 同样制作两个 MAKE 2pcs
- 相对面同样制作 SAME OPPOSITE SIDE
- 切除 REMOVE
- 涂装色 PAINT

G2	BLAK 黑	G68	RED MADDER 红色
G5	ULUE 青	G325	GRAU FS2640 灰色
G33	FLAT BLACK 哑光黑	G326	BLUE FS15044 海军蓝
G43	WOOD BROWN 棕色	G328	BLUE FS15050 青
G56	IJAGRAY 明灰色	PC14	HMS GRAU(1) 军舰灰
G62	FLAT WHITE 哑光白		

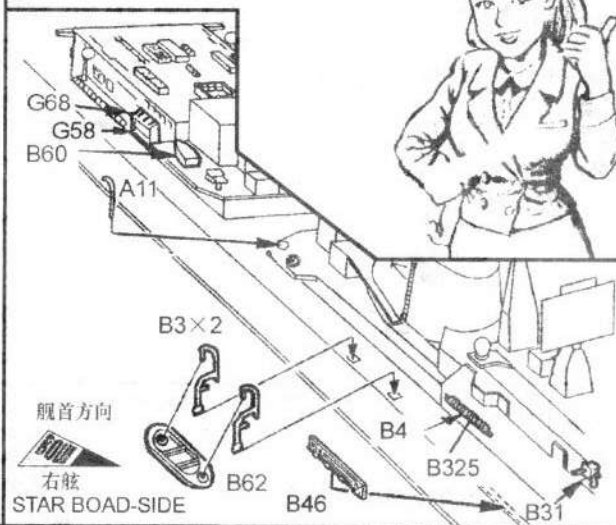


舰首方向

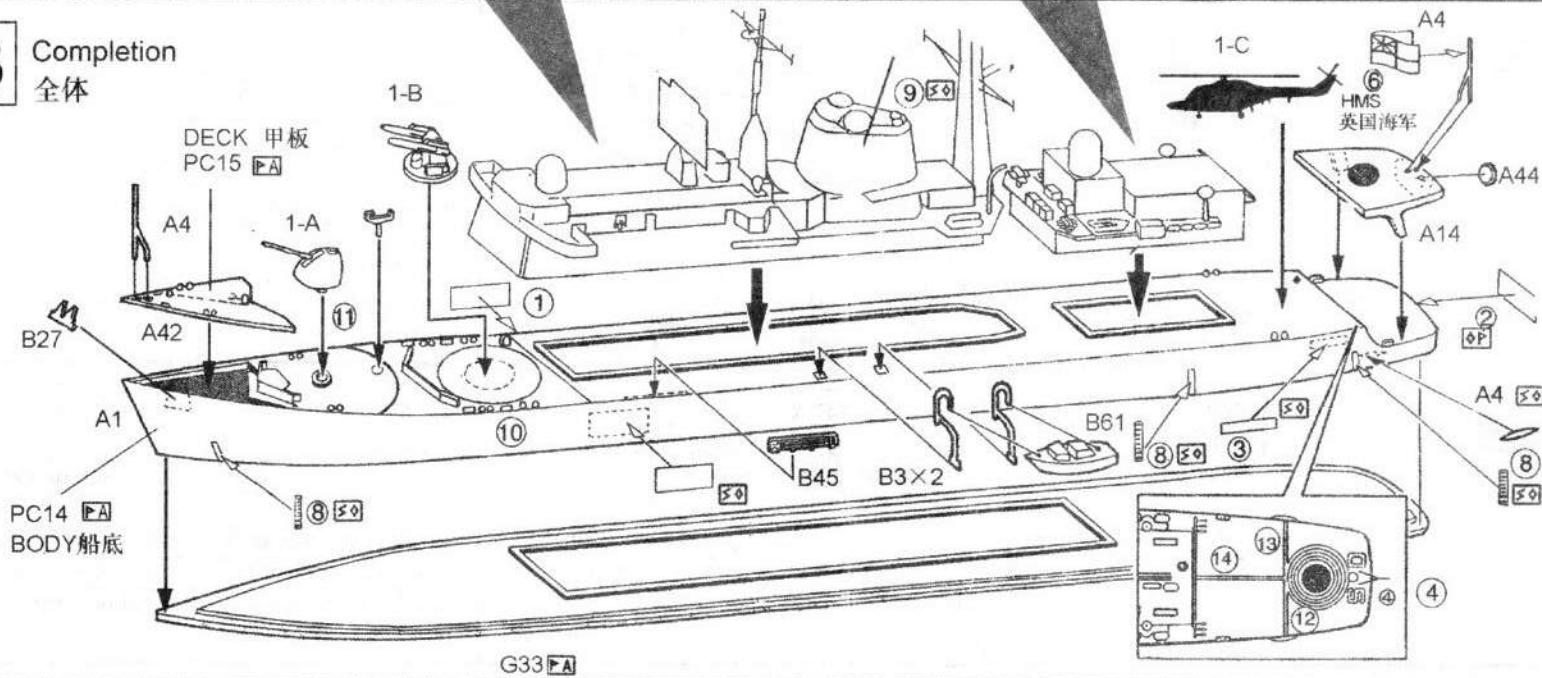
斜线部分切除不要



B31 • 感谢您购买本公司玩具，  
请留意新品预告!



**3** Completion  
全体



Not use parts  
List 不要部品

D87 NEWCASTLE

A34 A43 B29

STERN 舰尾

