

Spad

SW 72126

scale 1/72

# AD-4W Skyraider

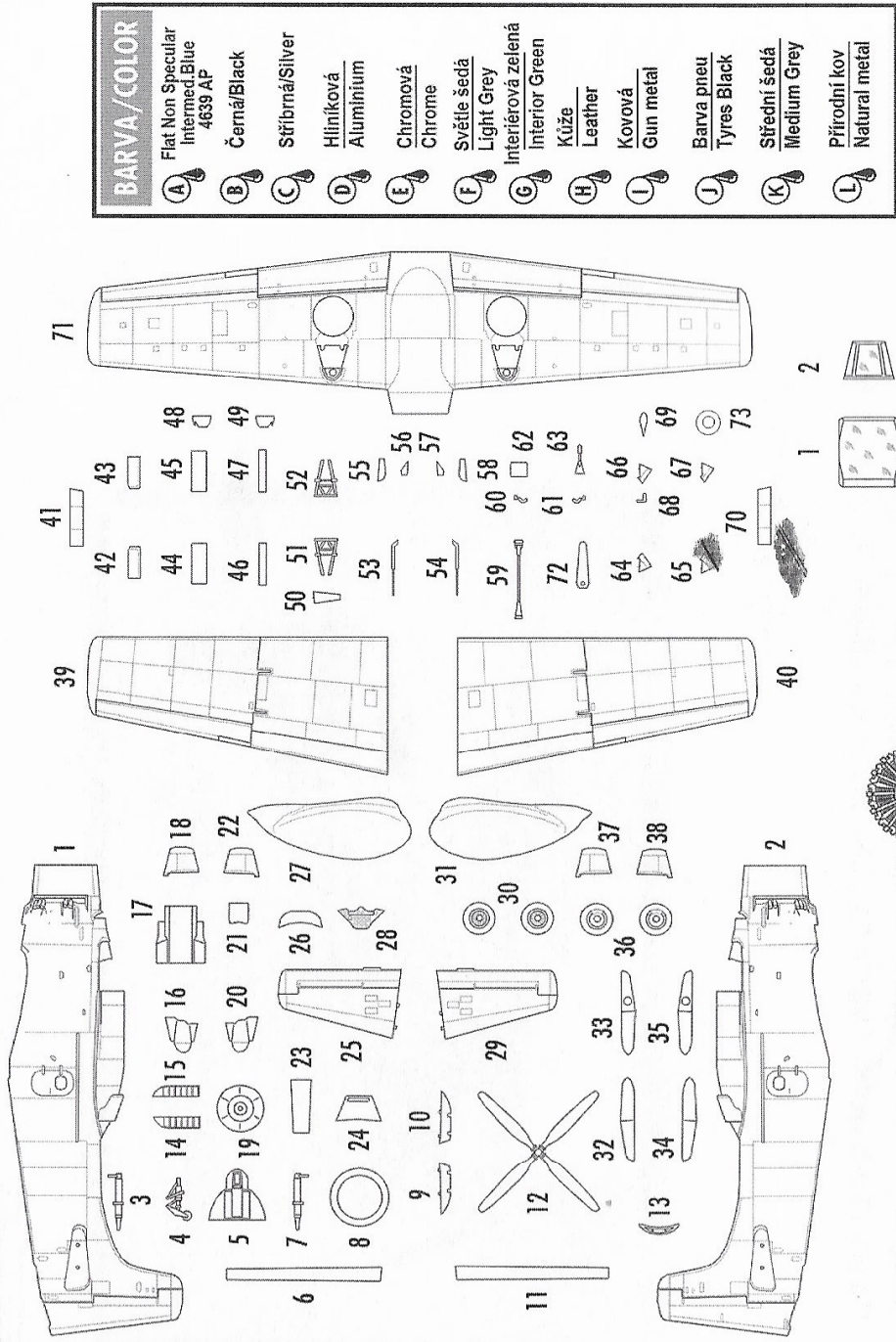


## Douglas Skyraider AD-4W / AEW.1

The Douglas Skyraider was designed to be a carrier based dive bomber / torpedo bomber, and was first flown in March 1945. Too late for WWII. A piston-engined low wing monoplane, it had straight wings with 7 hard-points under each wing and excellent low speed performance. The aircraft went through many upgrades and several versions were developed; from single seat attack aircraft, to a 2 seat side by side configuration, 3 seat airborne radar, and a 4 seat night fighter. It served along side jet aircraft in both Korea and Vietnam. Its heavy load carrying ability and long range / extended loiter time making it invaluable both for ground attack and rescue missions. Its nickname was 'Spad' after the French WWI fighter.

The AD-4W ( U.S Navy ) / AEW.1 (Royal Navy) was a carrier based airborne early warning platform, with a crew of 3. A 'Guppy' like the Avenger TBM-3W it replaced, having a bulbous radome under the wing centre-section and the same APS-20 radar.

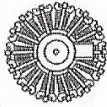
The U.K. received 50 AD-4W ( 20 new, and 30 from U.S Navy stocks ) aircraft in 1951 and they were used by RNAS 778 Culdrose for training, then operated by RNAS 849 which provided 4-plane detachments on British carriers. The flight on HMS Bulwark took part in the Suez Crisis in 1956. Royal Navy AEW.1 were retired in 1962 and replaced by the Fairey Gannet AEW.3 using the same radar. Sweden bought 14 of the British aircraft with military hardware removed and used them as target tugs. APS-20 radar units were then installed in Avro Shackleton AEW.2 aircraft. The U.S. AD-4W aircraft were replaced by the Grumman E.1 Tracer. 168 AD-4W / AEW.1 were produced.



**BARVA/COLOR**

- (A) Flat Non Specular Intermed.Blue 4639 AP
- (B) Černá/Black
- (C) Sříbrná/Silver
- (D) Hliníková Aluminium
- (E) Chromová Chrome
- (F) Světle šedá Light Grey
- (G) Interiérová zelená Interior Green
- (H) Kůže Leather
- (I) Kovová Gun metal
- (J) Barva pneu Tyres Black
- (K) Střední šedá Medium Grey
- (L) Přírodní kov Natural metal

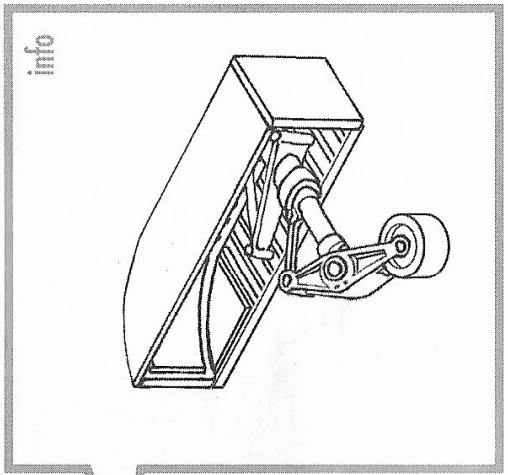
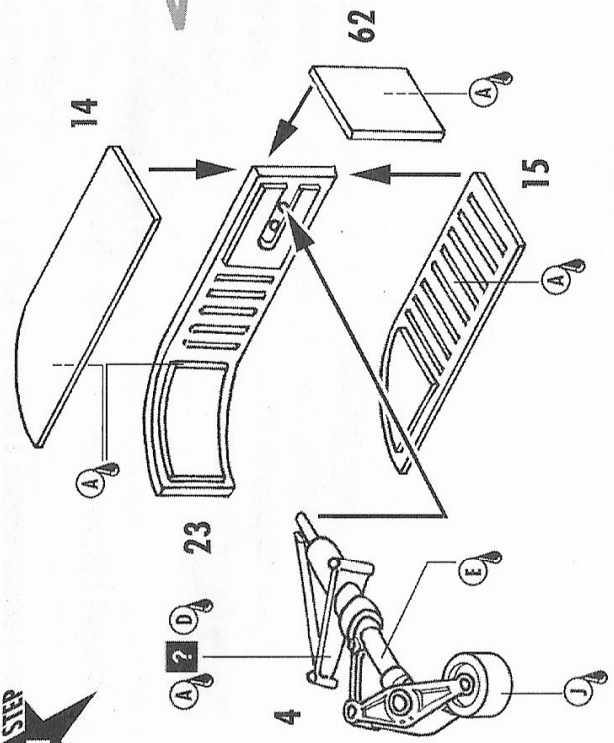
PU (polyurethan parts)

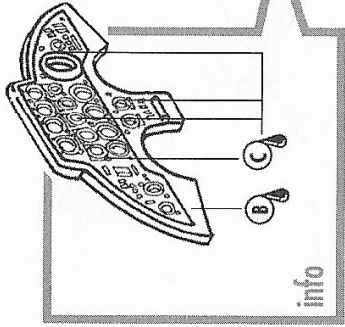


CP (clear parts)

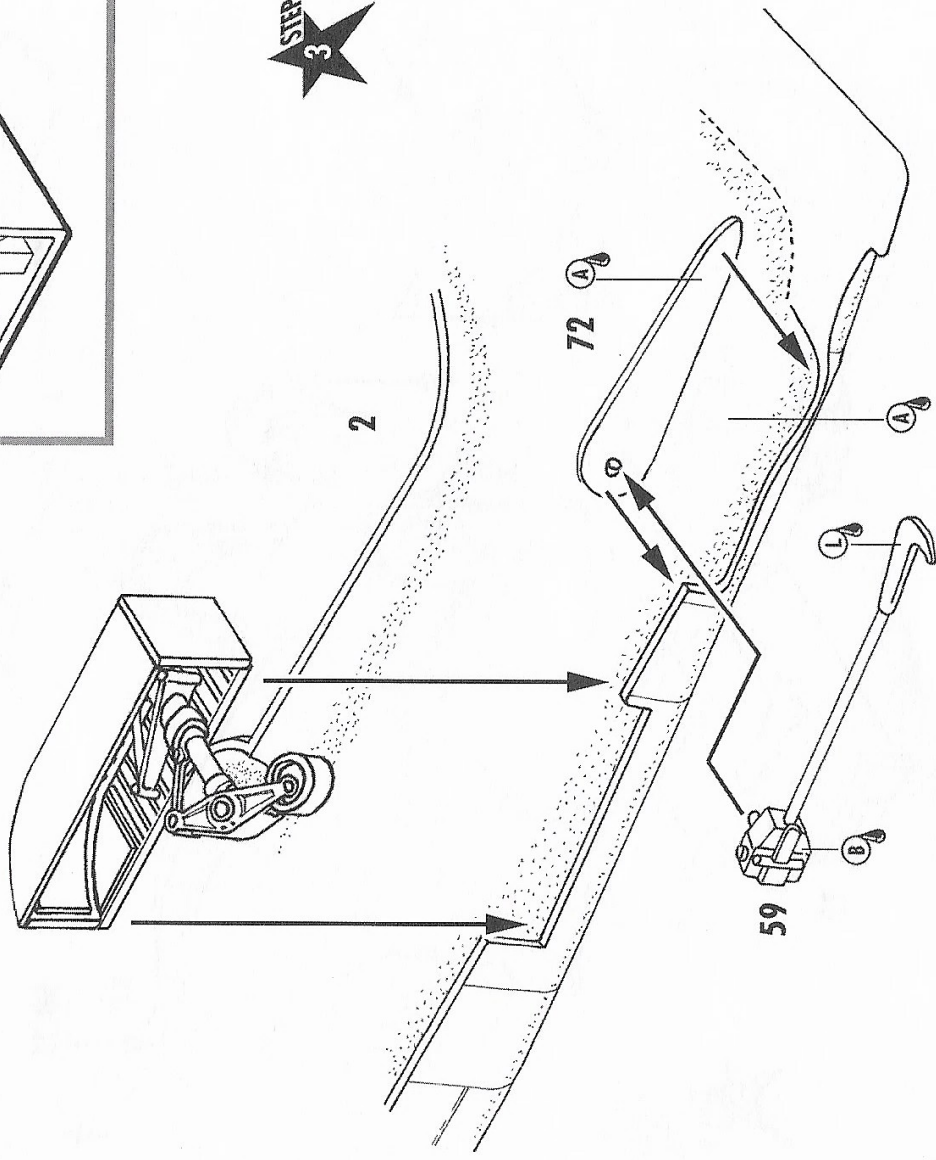
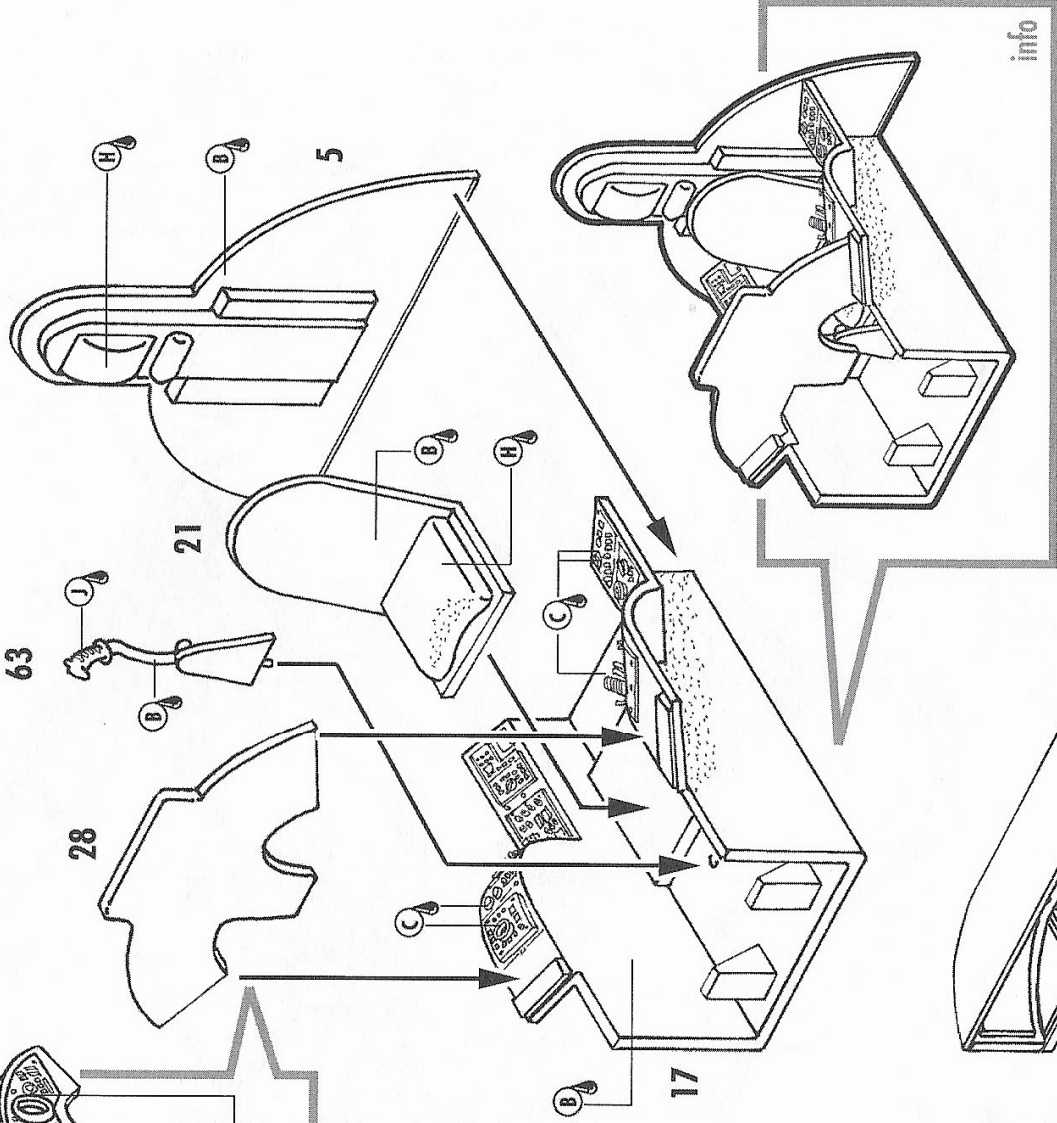
- REMOVE
- BEND
- OPEN HOLE
- SCRATCH BUILD
- COLOR
- SYMMETRICAL ASSEMBLY
- OPTION
- SECOND GLUE

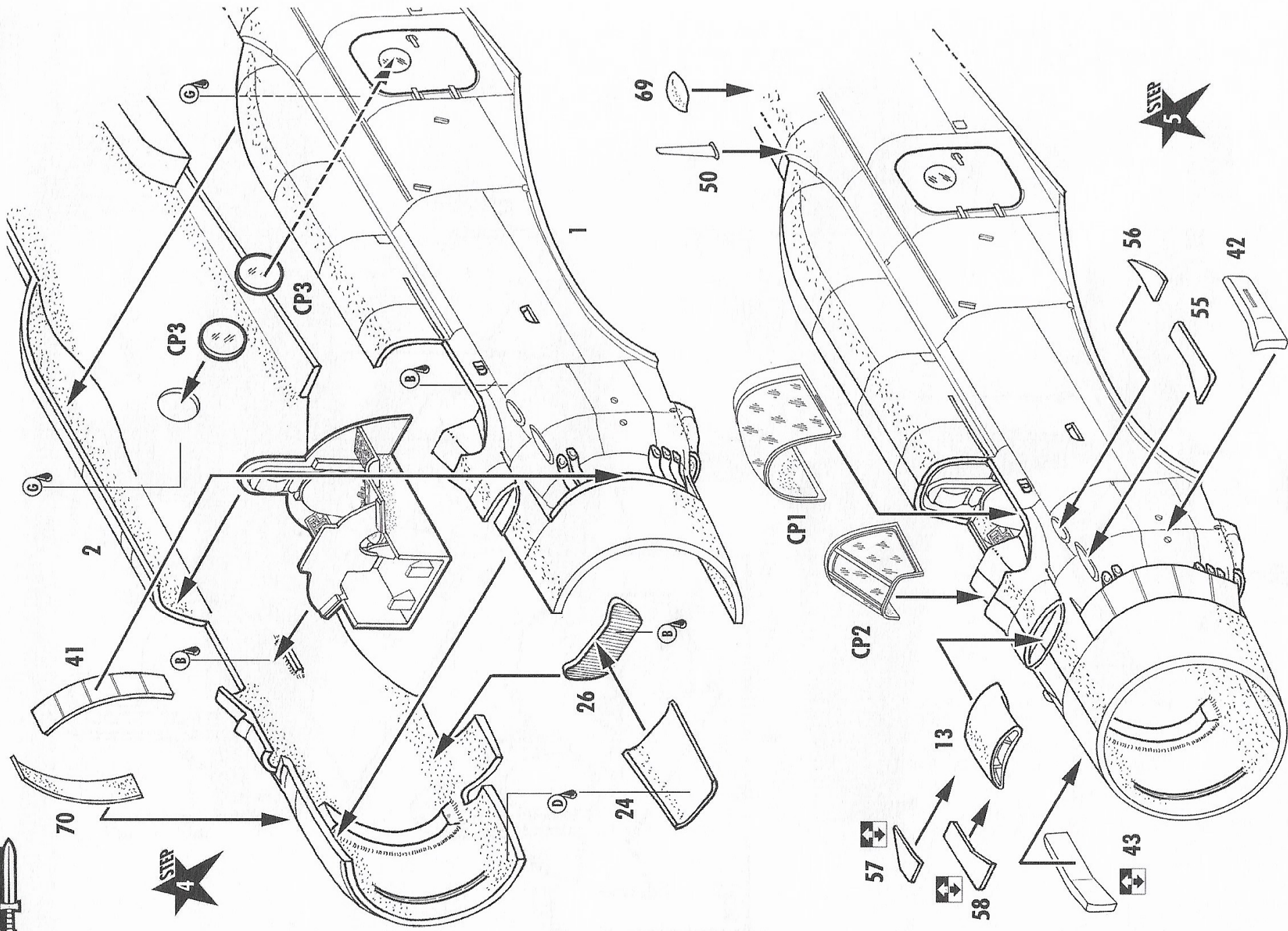
**STEP 1**



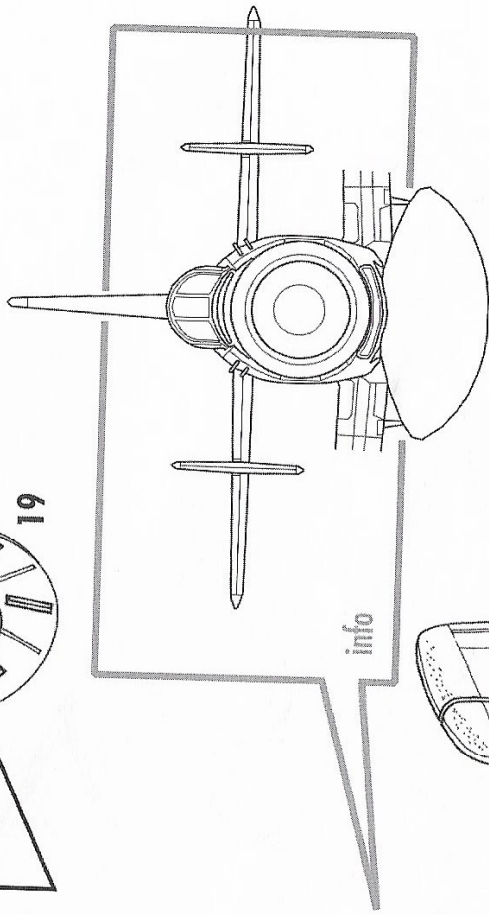
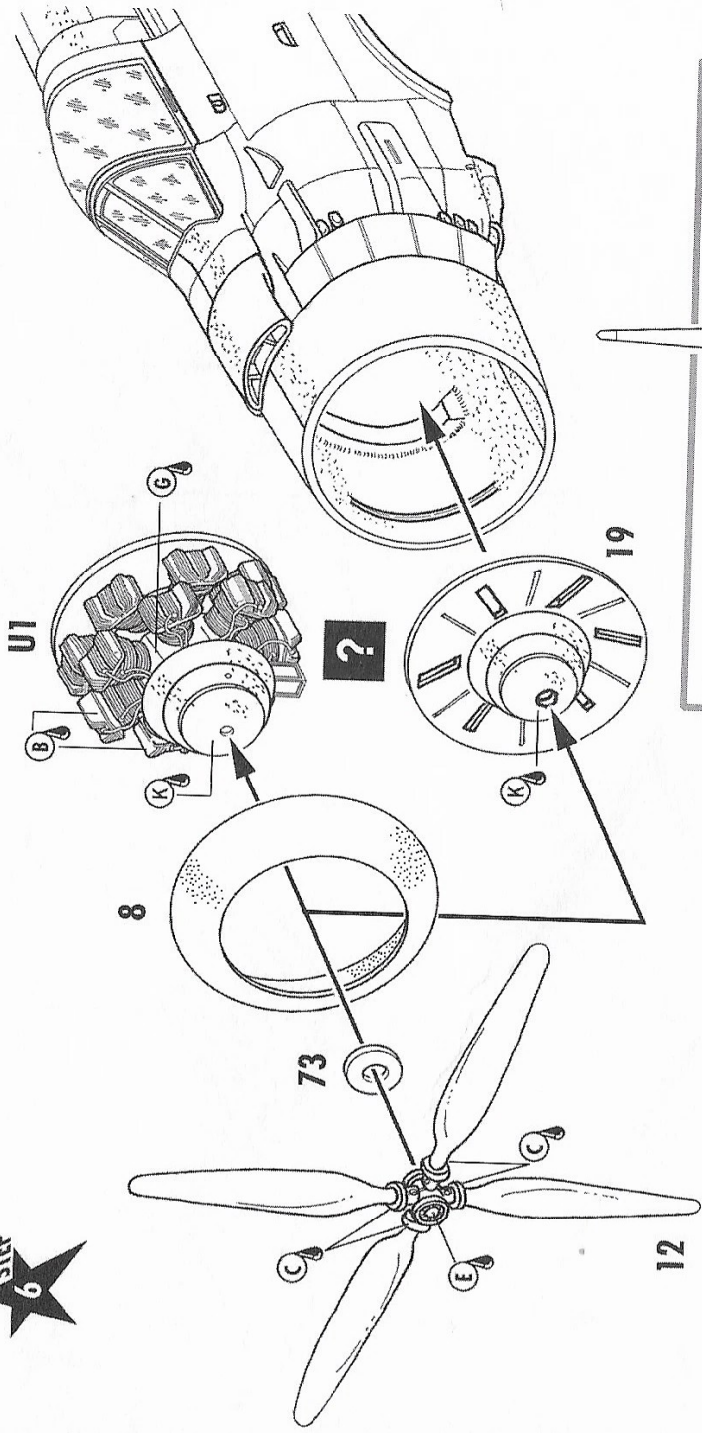


STEP 2

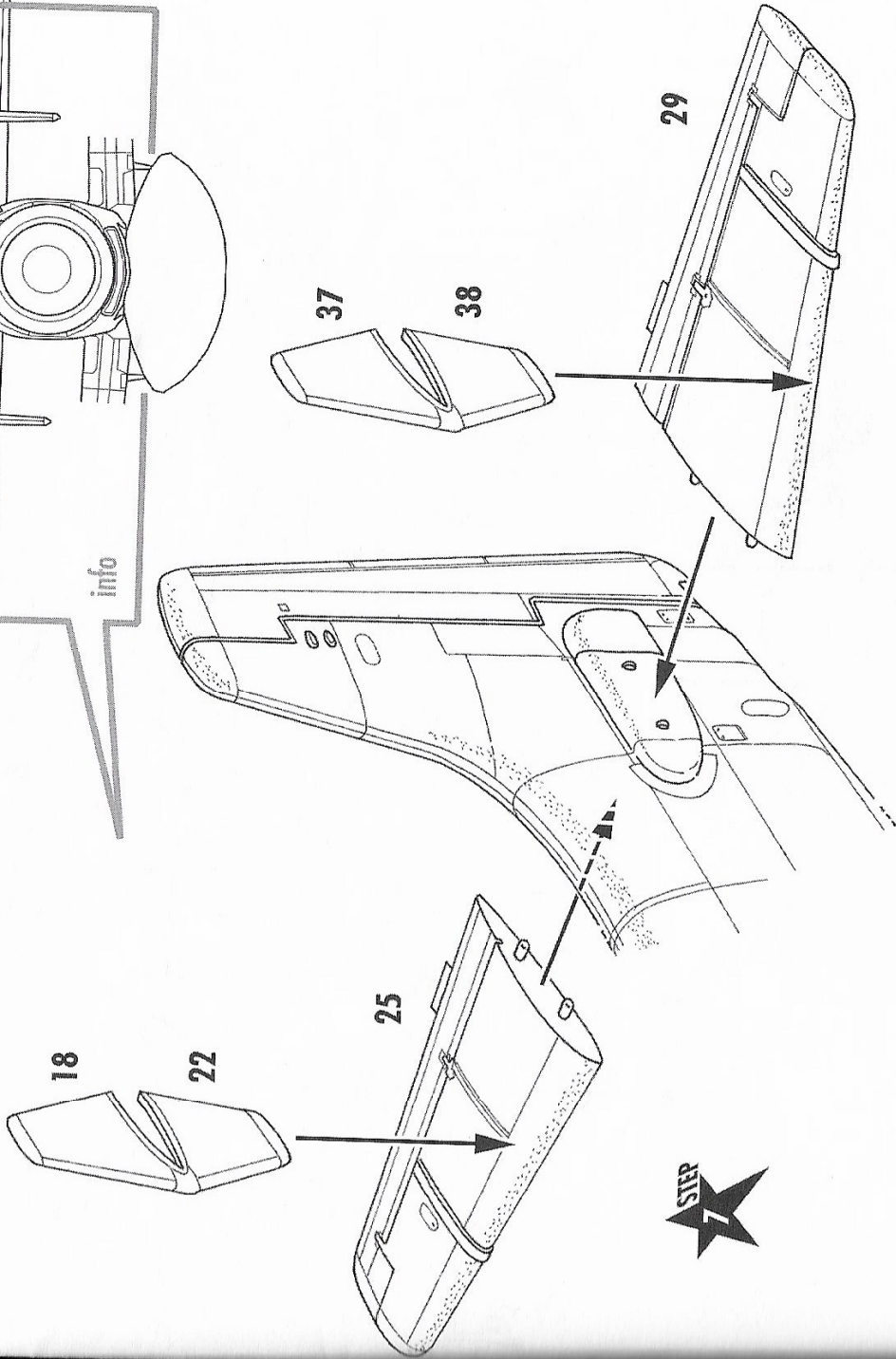




STEP  
6

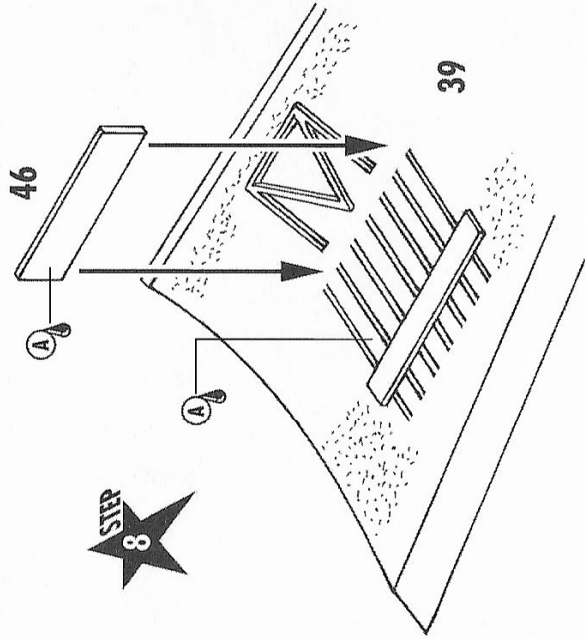


STEP  
7





STEP 8



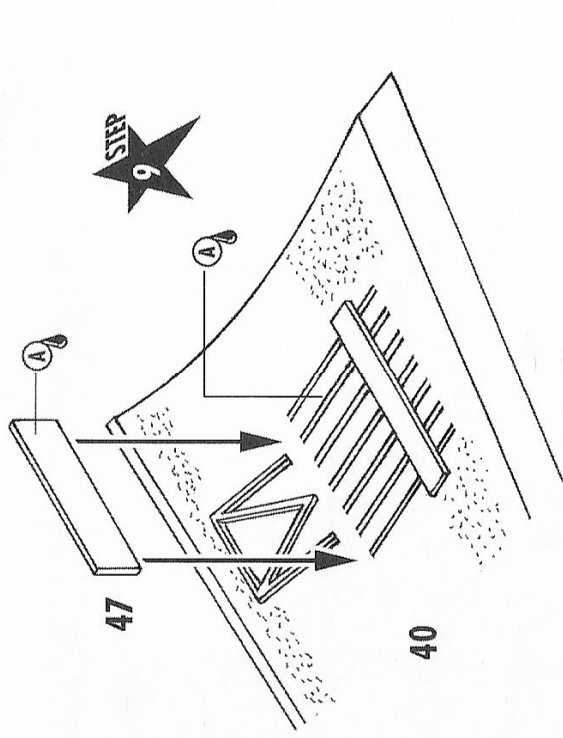
46

39

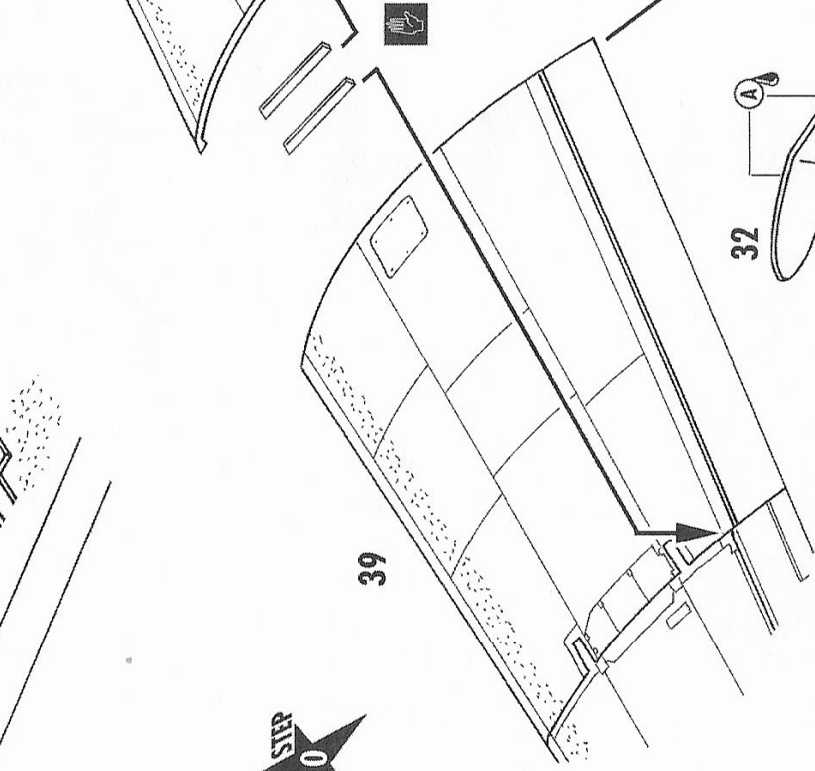
47

40

STEP 9



STEP 10



40

39

A

A

34

A

A

A

34

A

A

A

34

A

A

A

34

A

A

A

34

A

A

A

34

A

A

A

34

A

A

A

34

A

A

A

34

A

A

A

34

A

A

A

34

A

A

A

34

A

A

A

34

A

A

A

34

A

A

A

34

A

A

A

34

A

A

A

34

A

A

A

34

A

A

A

34

A

A

A

34

A

A

A

34

A

A

A

34

A

A

A

34

A

A

A

34

A

A

A

34

A

A

A

34

A

A

A

34

A

A

A

34

A

A

A

34

A

A

A

34

A

A

A

34

A

A

A

34

A

A

A

34

A

A

A

34

A

A

A

34

A

A

A

34

A

A

A

34

A

A

A

34

A

A

A

34

A

A

A

34

A

A

A

34

A

A

A

34

A

A

A

34

A

A

A

34

A

A

A

34

A

A

A

34

A

A

A

34

A

A

A

34

A

A

A

34

A

A

A

34

A

A

A

34

A

A

A

34

A

A

A

34

A

A

A

34

A

A

A

34

A

A

A

34

A

A

A

34

A

A

A

34

A

A

A

34

A

A

A

34

A

A

A

34

A

A

A

34

A

A

A

34

A

A

A

34

A

A

A

34

A

A

A

34

A

A

A

34

A

A

A

34

A

A

A

34

A

A

A

34

A

A

A

34

A

A

A

34

A

A

A

34

A

A

A

34

A

A

A

34

A

A

A

34

A

A

A

34

A

A

A

34

A

A

A

34

A

A

A

34

A

A

A

34

A

A

A

34

A

A

A

34

A

A

A

34

A

A

A

34

A

A

A

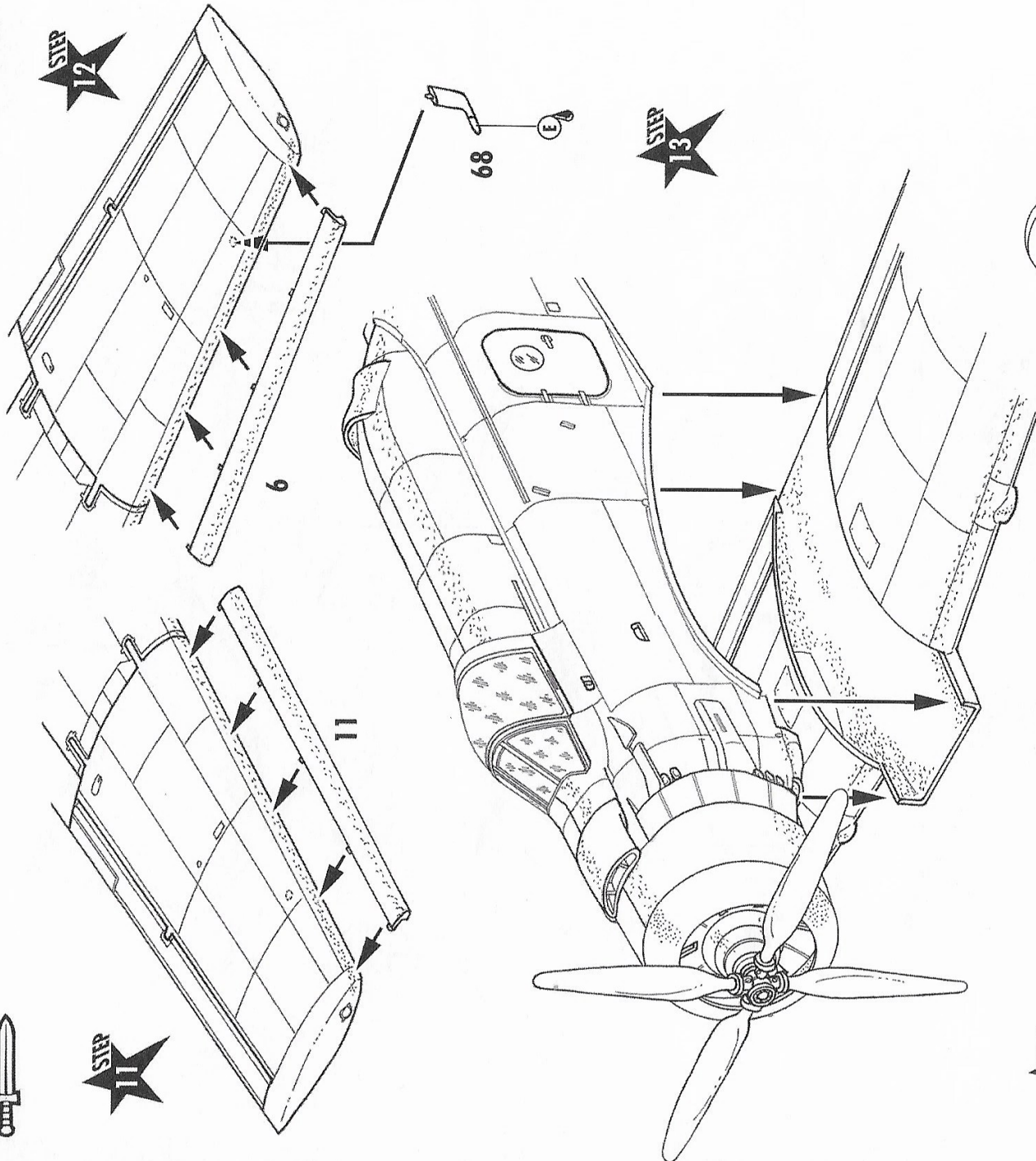
34

A

A

A

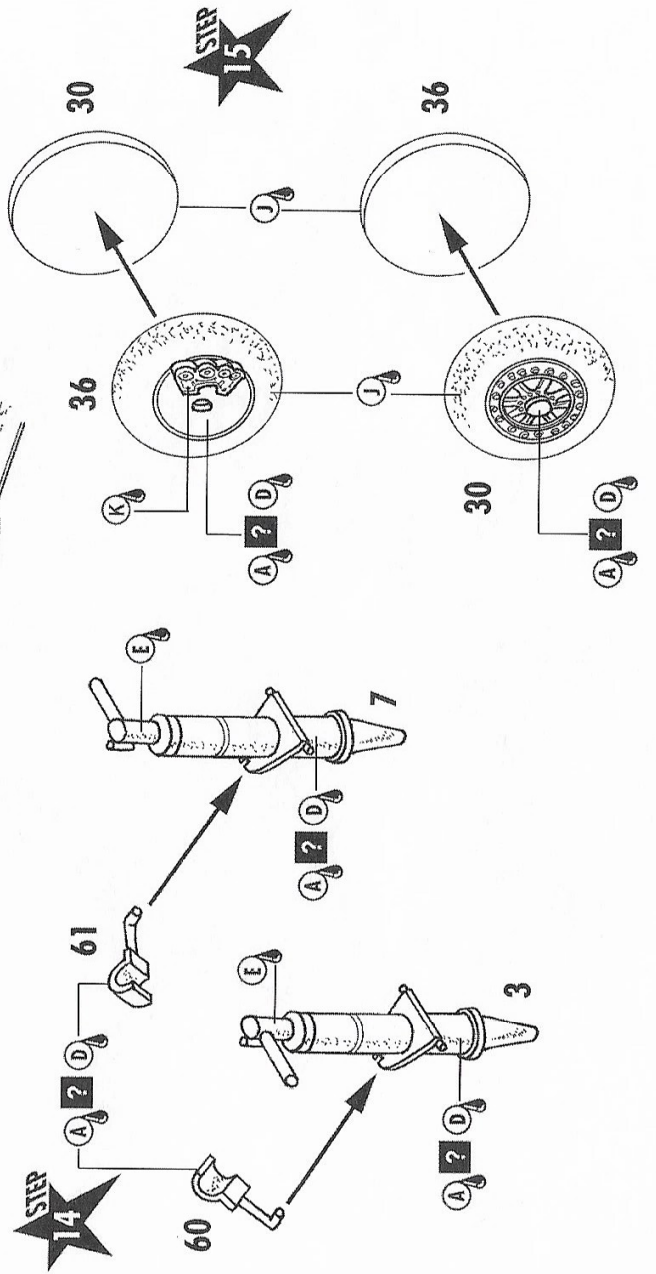
34



STEP 12

STEP 13

STEP 11

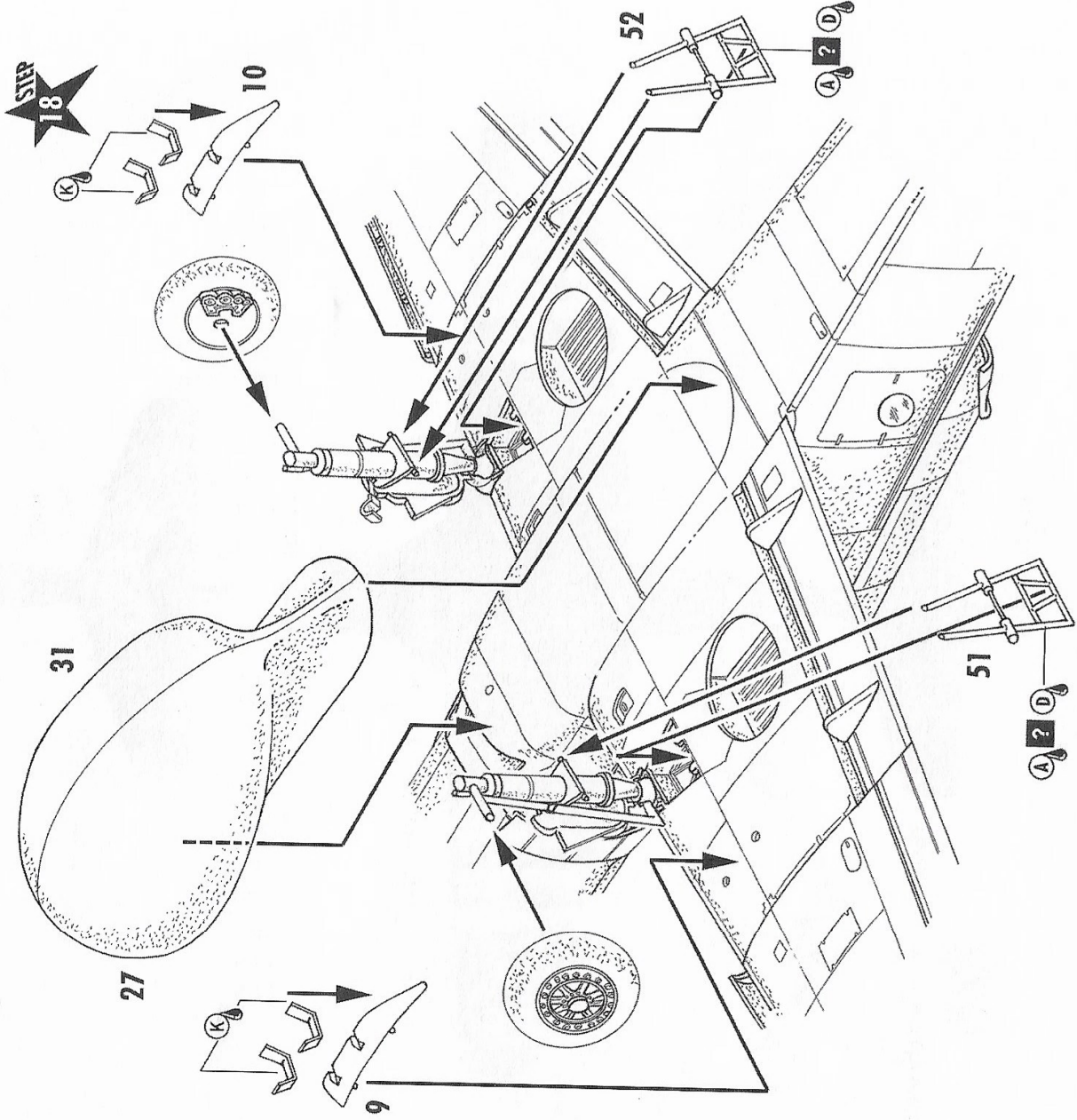
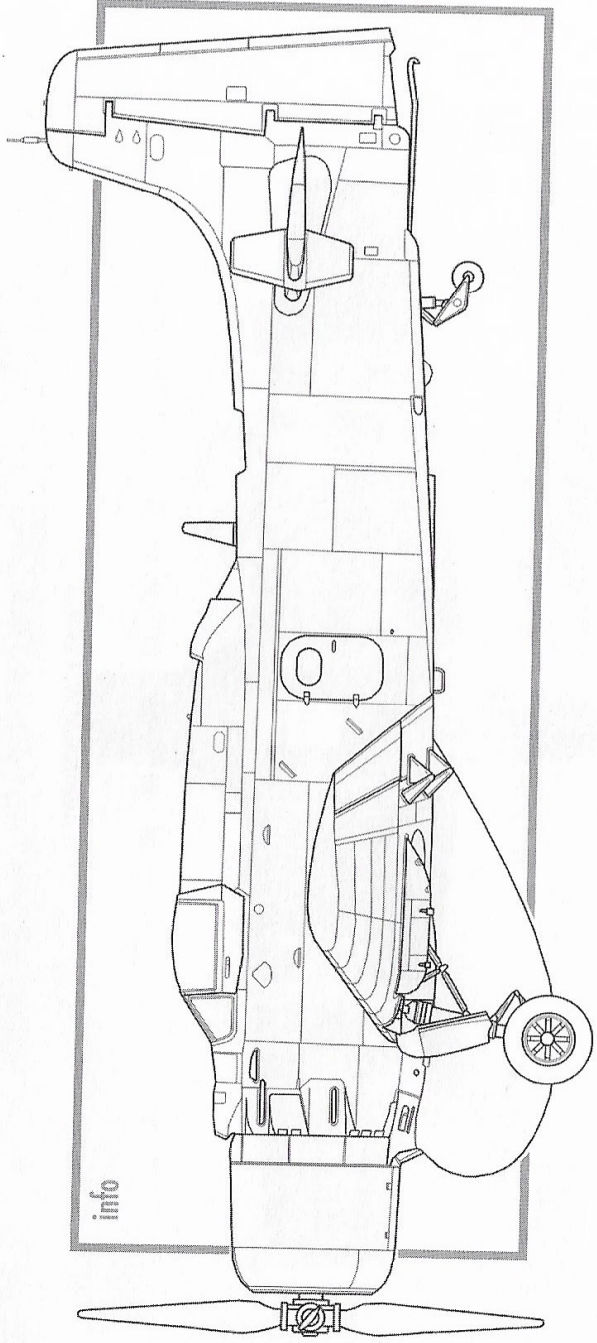


STEP 14

STEP 15

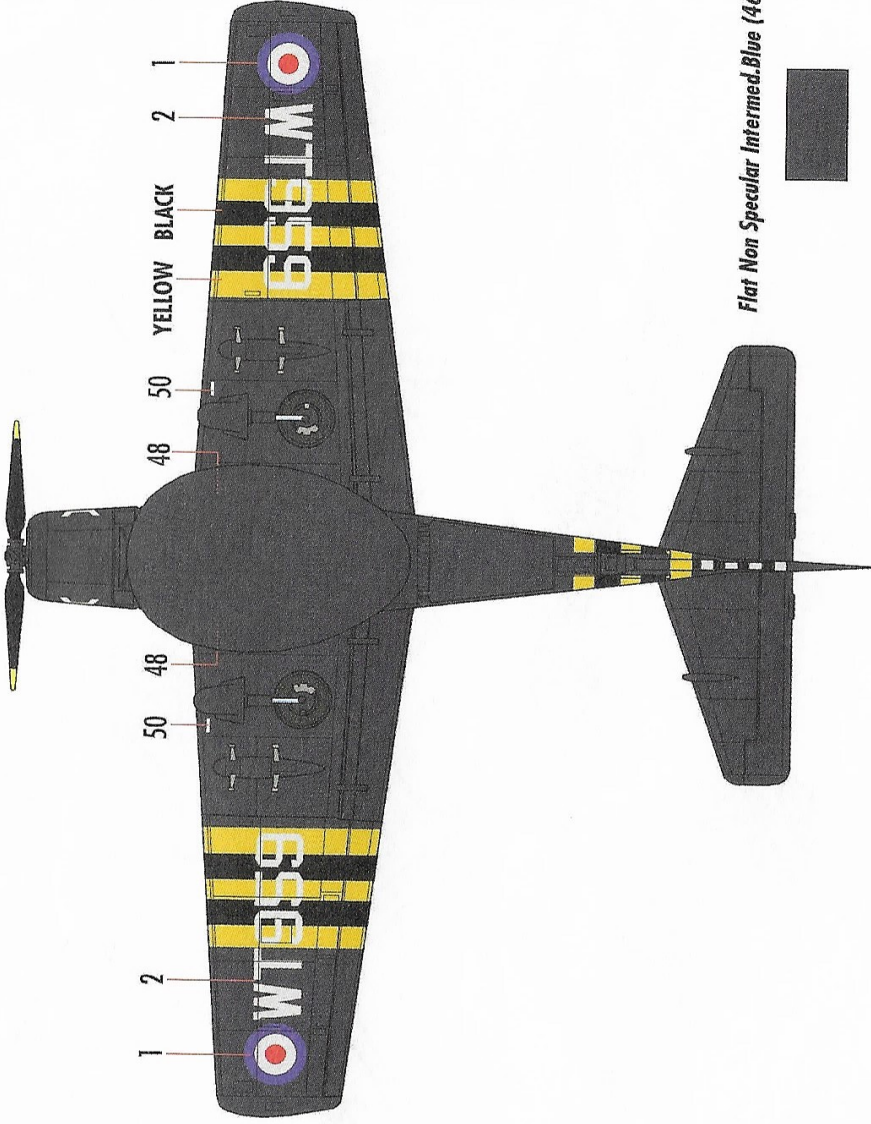
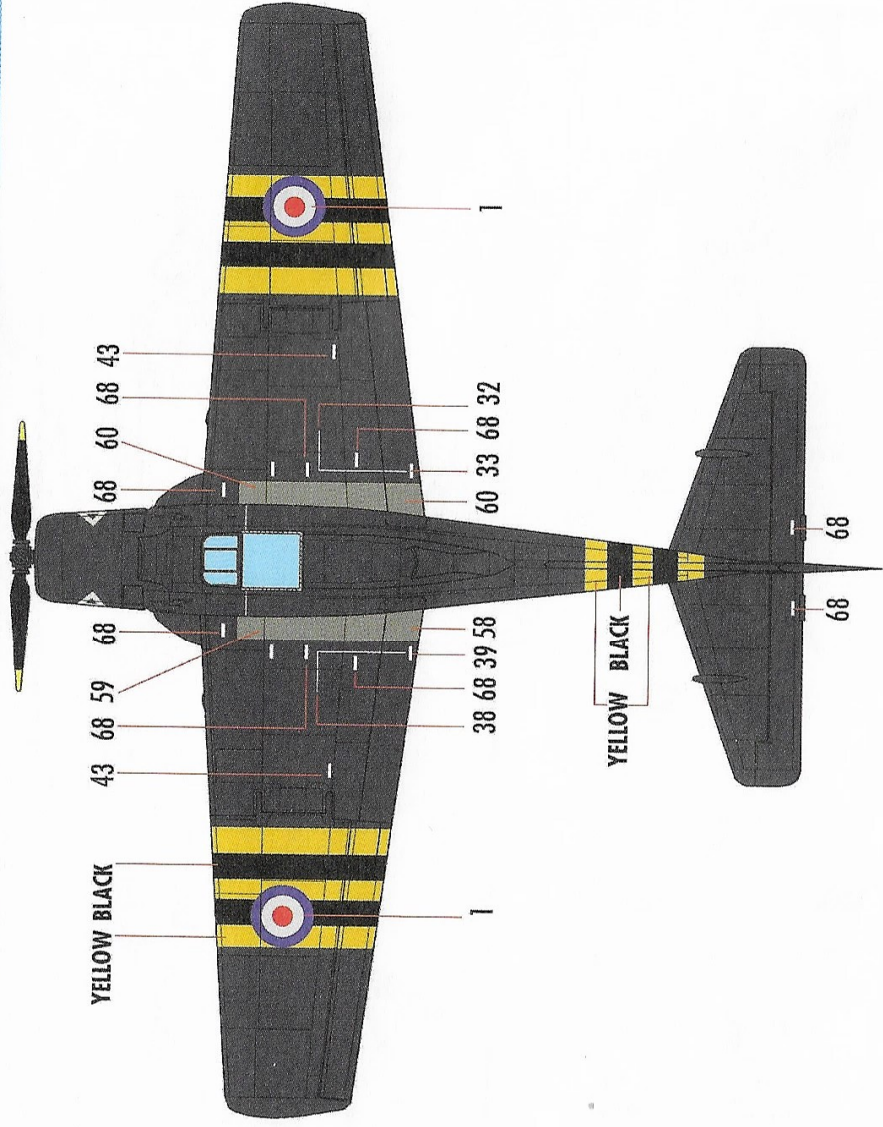






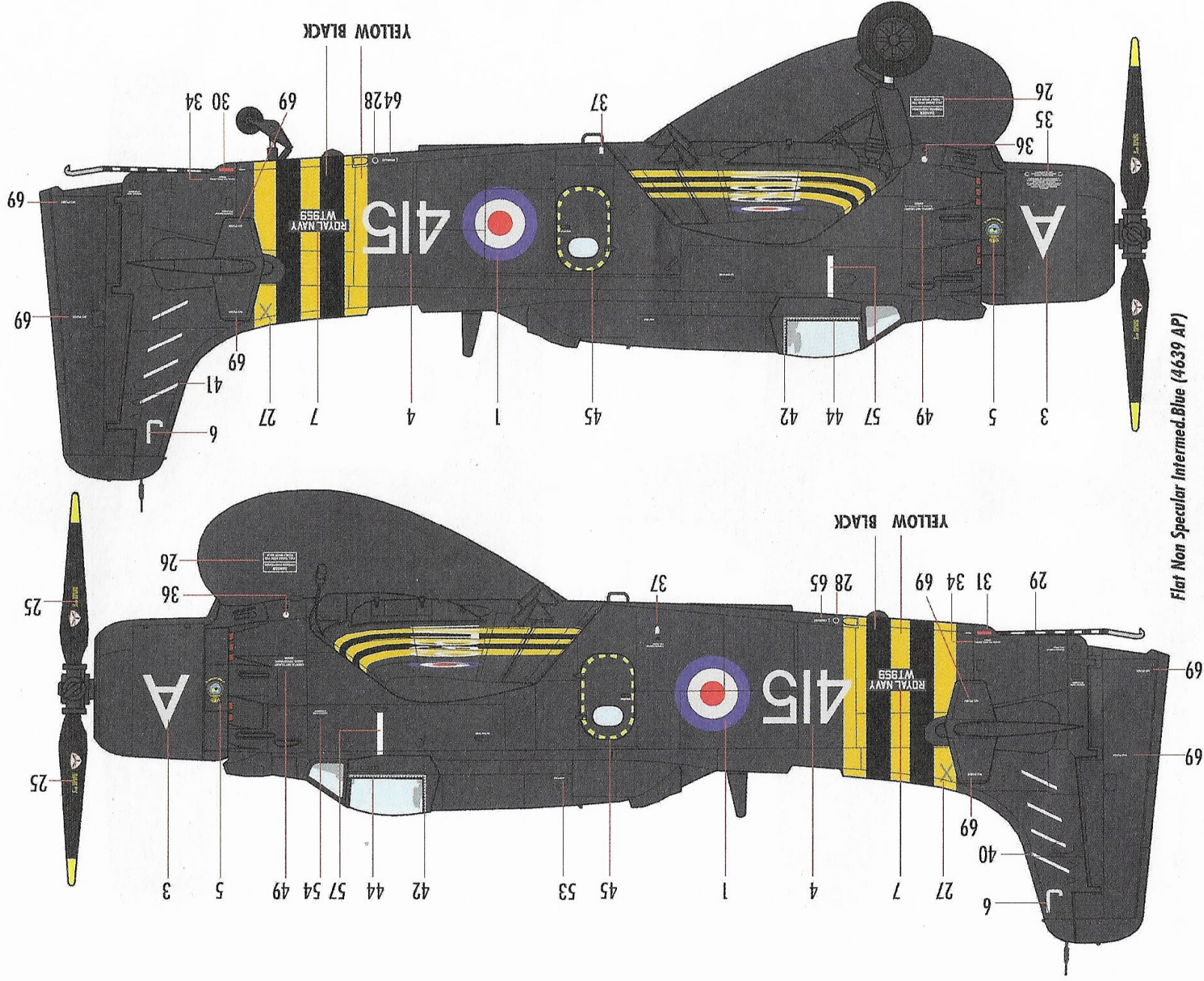
AD-4W SKYRAIDER

AEW.1, 849 NAS Royal Navy, HMS Albion, Suez 1956



Flat Non Specular Intermed.Blue (4639 AP)



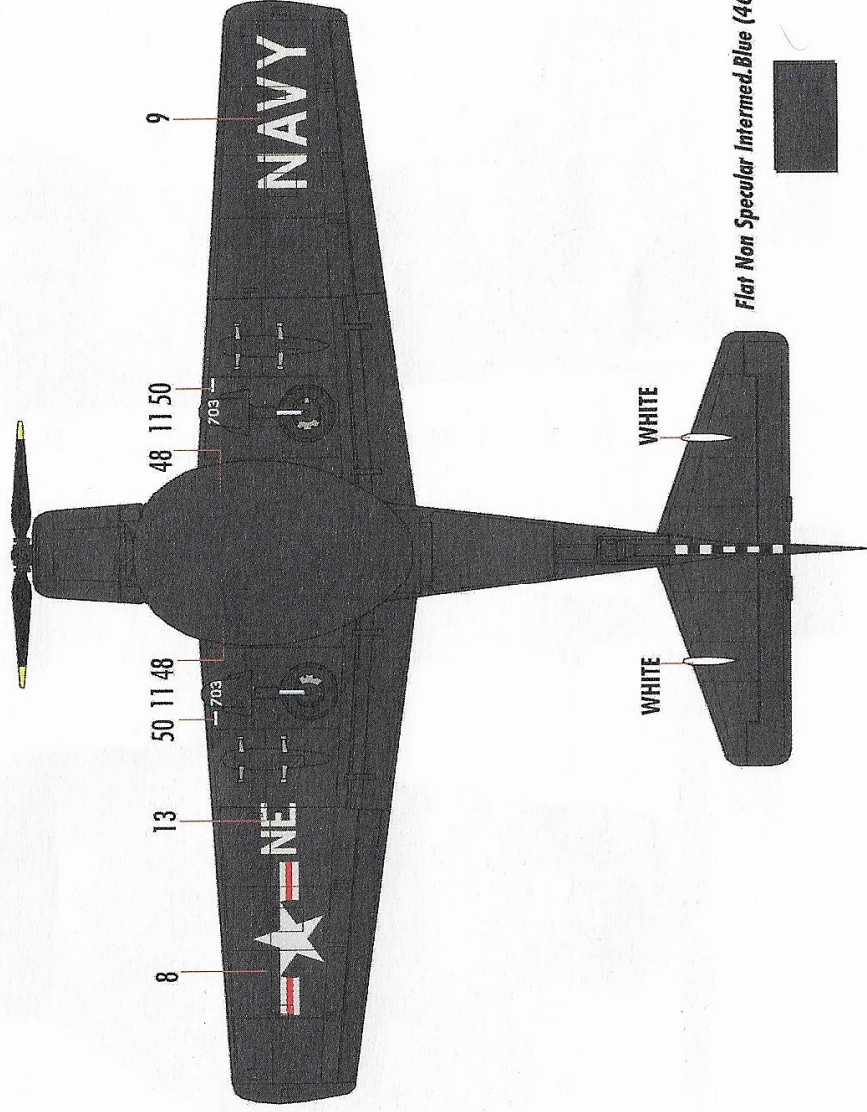
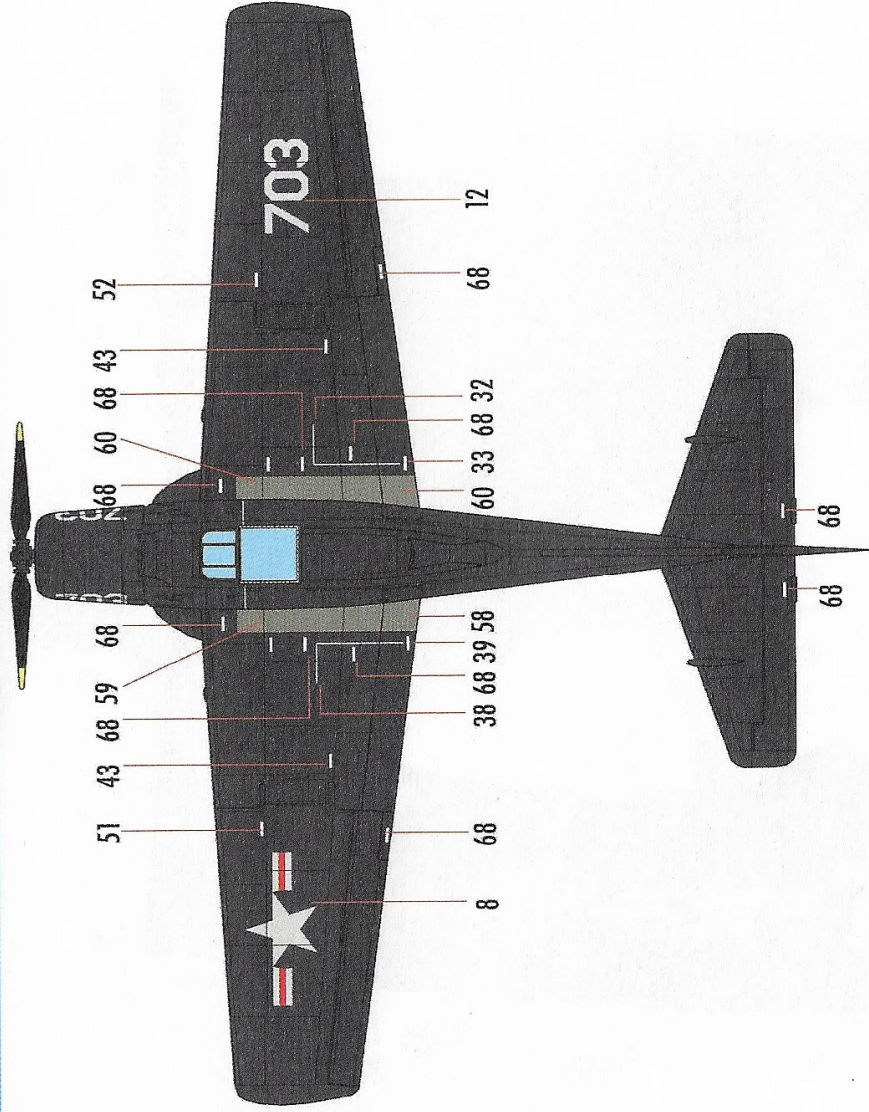






# AD-4W SKYRAIDER

AD-4W Skyraider, 125779, U.S.NAVY, VC-12, U.S.S. Coral Sea, 1950



Flat Non Specular Intermed.Blue (4639 AP)



AD-4W SKYRAIDER

AD-4W Skyraider, 125779, U.S. NAVY, VC-12, U.S.S. Coral Sea, 1950

