

PAINTING & MARKING

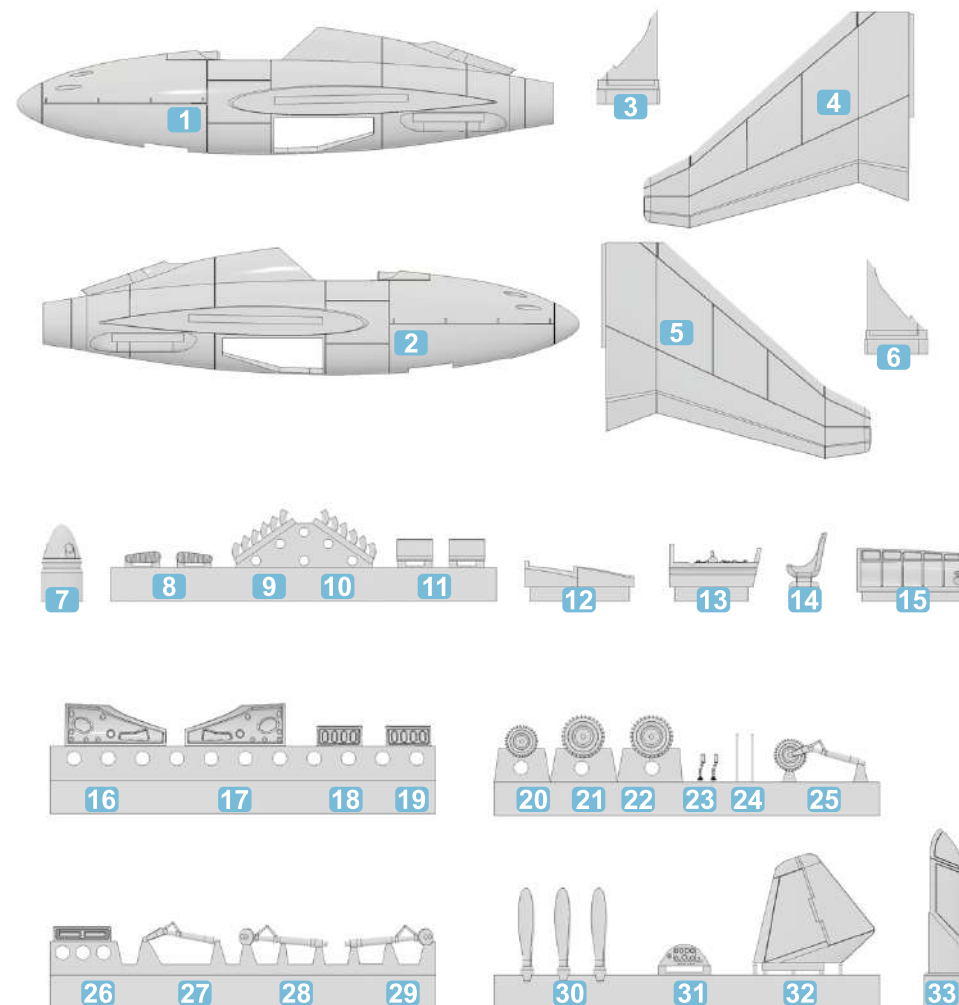
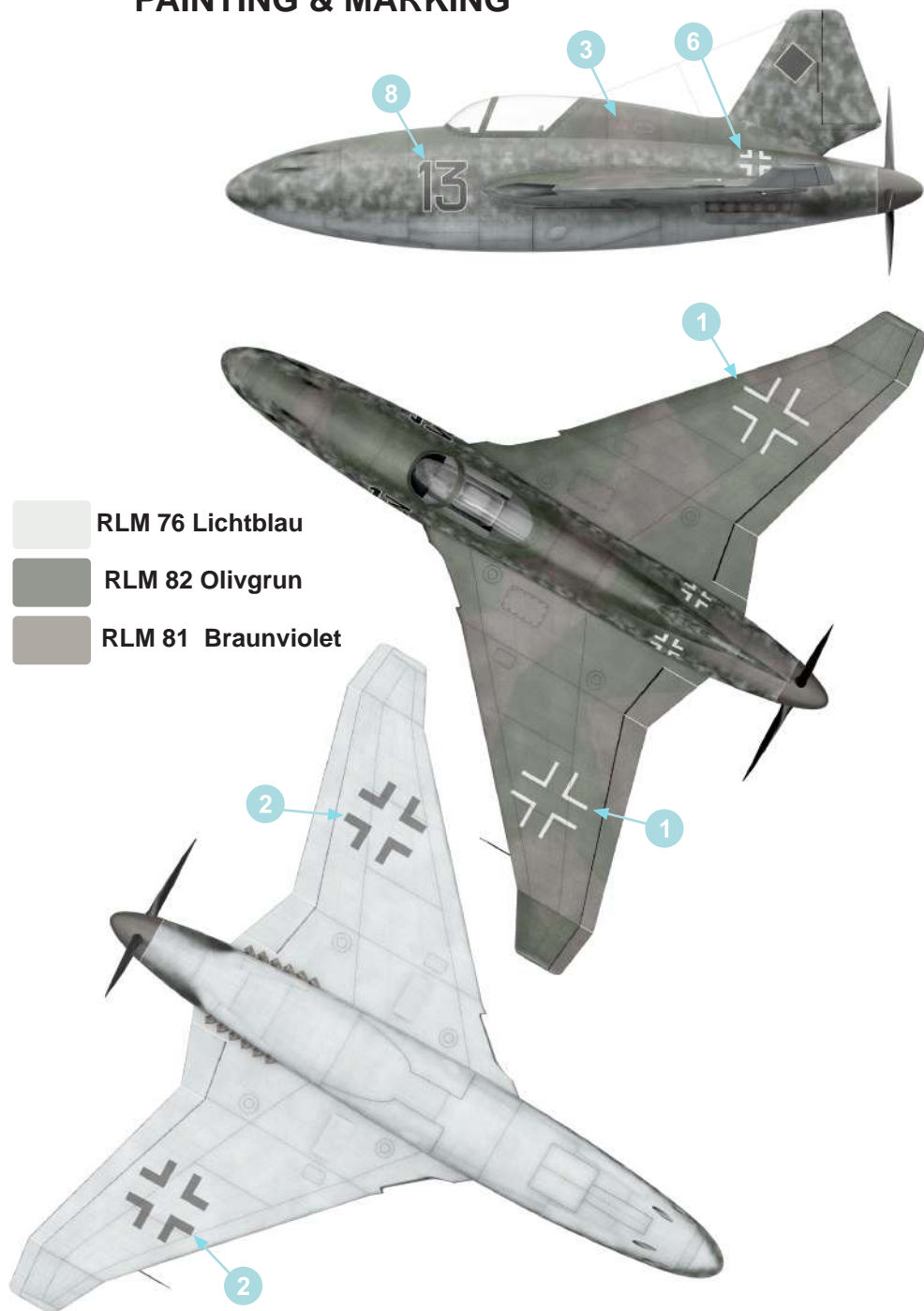


PPZ7201

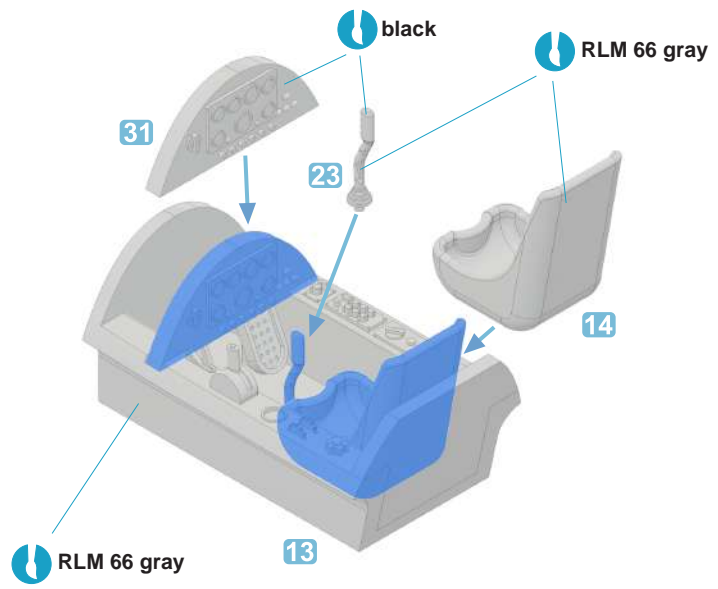
Henschel P.130

The interest of the Henschel firm in tail-less airplanes was initiated at the end of 1943, during their cooperation with Dr. Alexander Lippisch on the design of Delta IV. In 1944, the team led by Dipl. Ing. Nicolaus proposed the building of the P.130, a tail-less heavy fighter powered by a DB 603 pusher engine that was expected to achieve a higher performance. On 15 March 1945, the P.130 was modified to be powered by HeS 011A turbojet, under the denomination P.135 (PEPELATZ # 7202). As there was no hope of obtaining turbojets, the project underwent a final modification to install a Walter HWK 509C rocket engine.

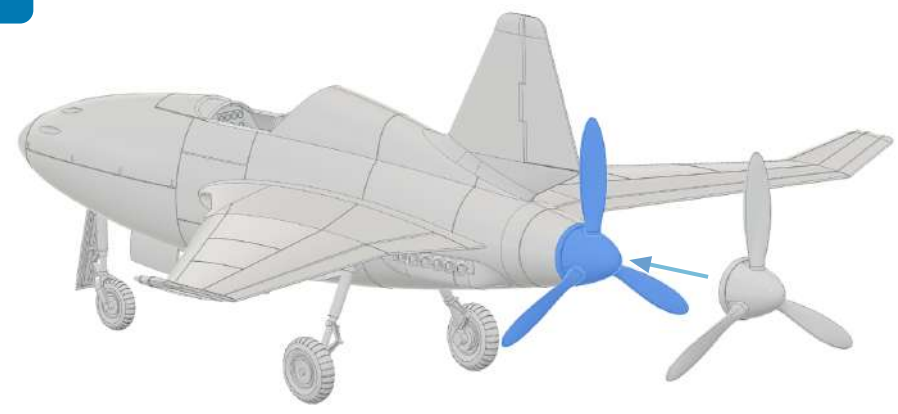
-  RLM 76 Lichtblau
-  RLM 82 Olivgrun
-  RLM 81 Braunviolet



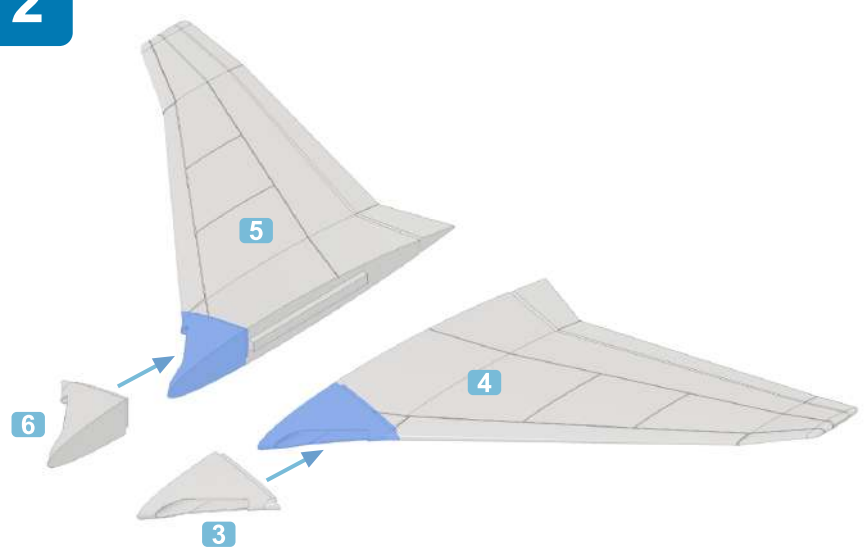
1



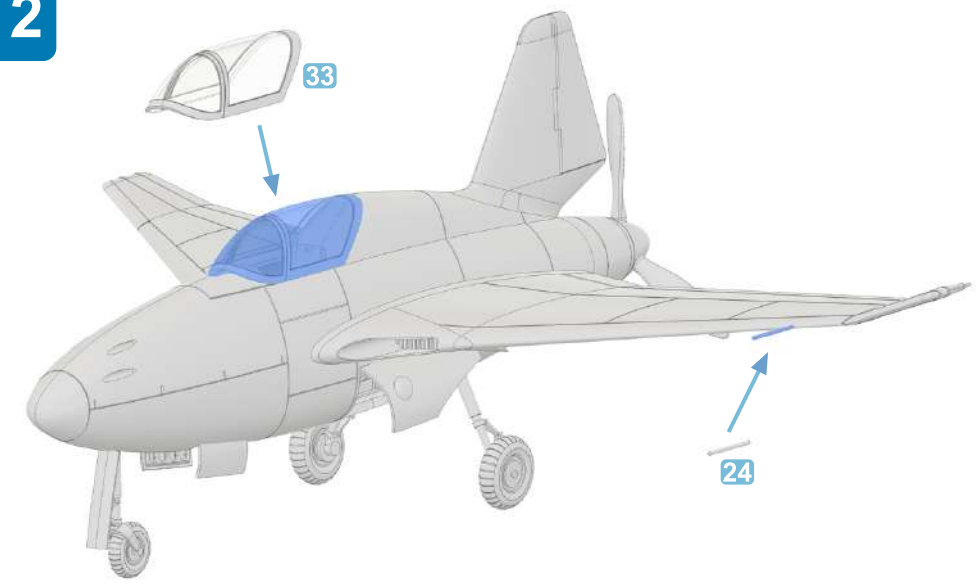
11



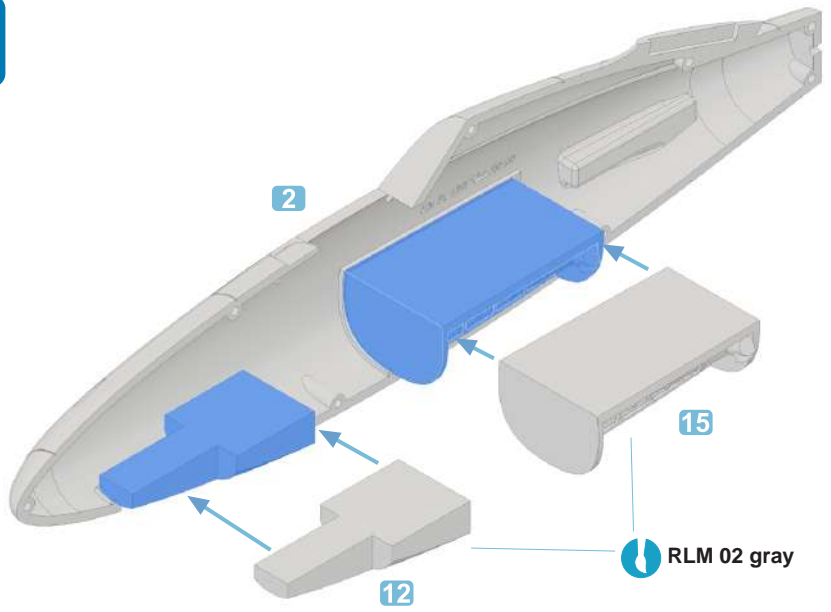
2



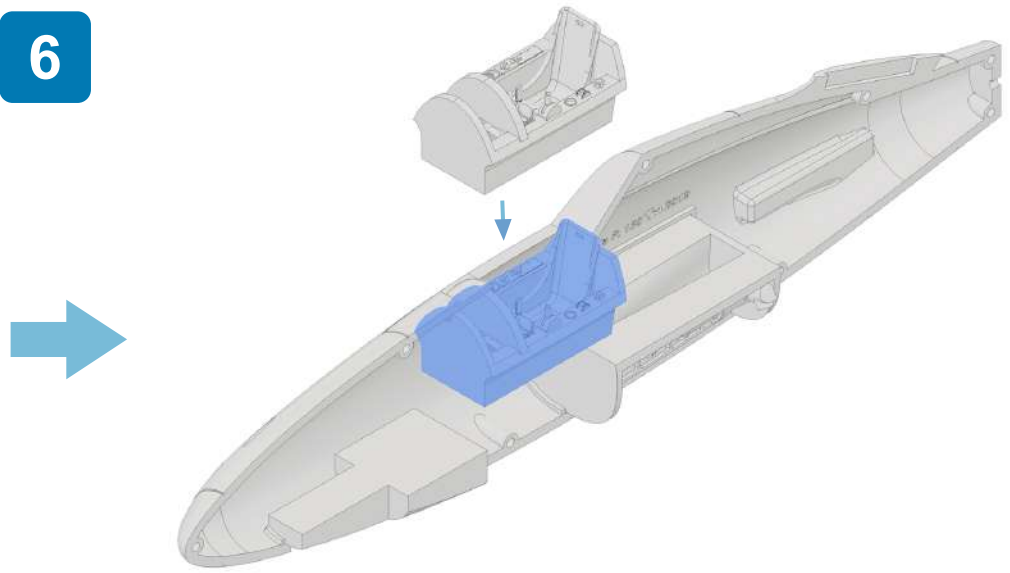
12



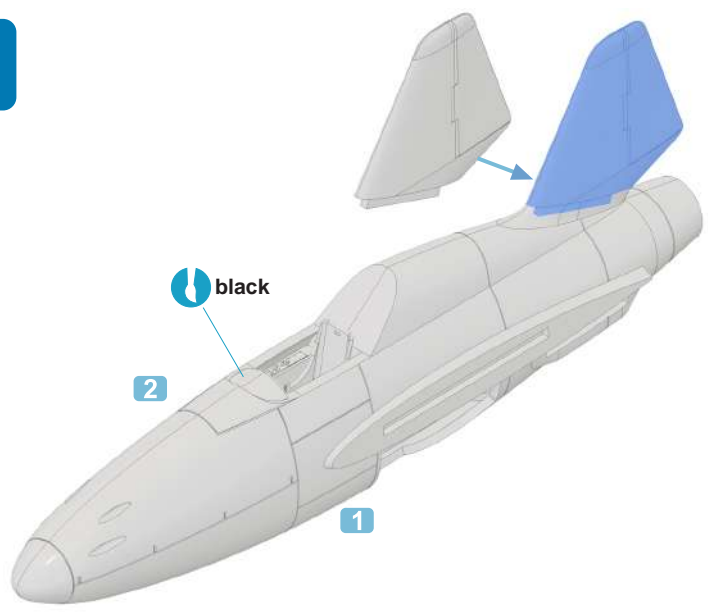
5



6



7



8

