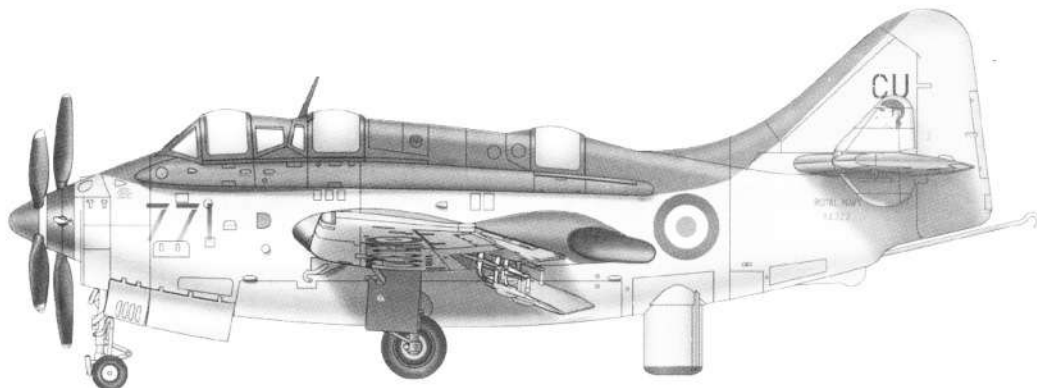


BRITISH "Gannet" AS.MK.1/4

英国 "塘鹅" AS.MK.1/4



READ BEFORE ASSEMBLY:

- This kit is not recommended for inexperienced modelers or for children under 14 years of age
- Study and understand these instructions thoroughly before beginning assembly
- When needed, remove photo-etch parts carefully using a modeling knife or photo etch sprue cutter, being careful not to damage or lose small parts.
- Take extra care in handling photo etch parts in order to avoid injury
- Apply instant cement sparingly to photo etch parts where instructed
- Tools recommended(not included in kit):Plastic and instant cements,sprue cutters,long nose pliers.,modeling knife, small files, tweezers, pin vise & scissors. Soft cloth and sandpaper will also assist in construction
- Glue and paint are not included in the kit. Use plastic cement and hobby paints only. Color guide for purchasing paint is included in the kit.
- Keep out of reach of small children. They must not be allowed to ingest small parts or handle plastic bags in any way.

装配之前仔细阅读

- 小心用模型锉刀锉平所有零件表面的注射浇口。
- 小心用刀片切下蚀刻片零件，不要遗失小零件。
- 用强力快干胶水粘合蚀刻片零件和金属轴。过量的快干胶水使用可能导致可动零件会粘住，小心涂胶。
- 取蚀刻片时应特别注意安全，防止利刃划伤手指。
- 某些零件表面需贴水贴纸，请选择在装配的同时进行。
- 推荐模型工具(自备)：胶水、水口剪刀、长咀钳、刀片、锉刀、镊子、钳、钻、剪刀、瞬间快干胶。
- 软布同砂纸同时也应该是必备工具。
- 请使用塑料胶水和油漆，模型内不含。
- 谨防小孩吸吮塑料零件，或者将塑料袋套在头上，制作时应将套材远离小孩接触。
- 本产品不适合14岁以下没有经验的模型爱好者。



贴纸
Decal



锉平
File / Sand



选择
Option



不涂胶水
No cement



弯曲
Bend



使用强力胶
Cyanoacrylate glue



配重
Weight



钻孔
Make hole



切除
Cut / Remove

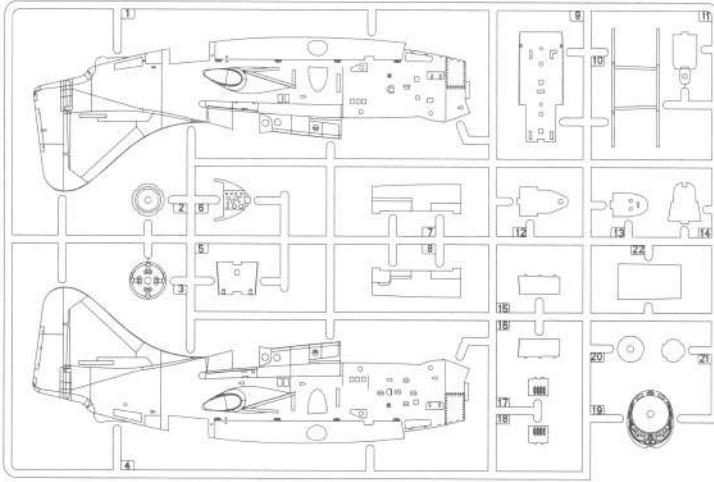
水贴纸的使用:

1. 从水贴纸上剪下印花;
2. 将印花放入温水中浸10秒, 然后放在干净布上。
3. 拿着印花纸板将印花移到模型上;
4. 手指蘸水将印花移到适当的位置;
5. 用软布轻压印花直至水干, 气泡消失。

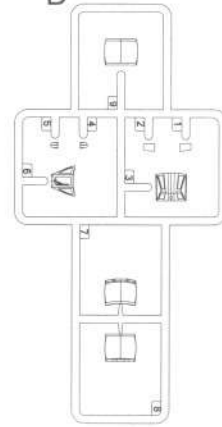
DECAL APPLICATION

1. Cut off decal from sheet.
2. Dip the decal in tepid water 40°C for about 10 sec. and place on a clean cloth.
3. Hold the backing sheet edge and slide decal onto the model.
4. Move decal into position by wetting decal with finger.
5. Press decal gently down with a soft cloth until excess water and air bubbles are gone.
6. Allow decal to dry completely before handling model.

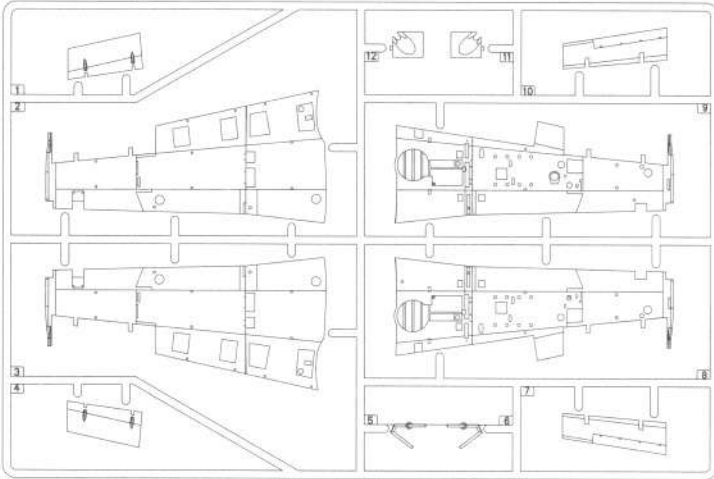
A



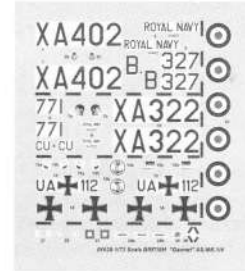
D



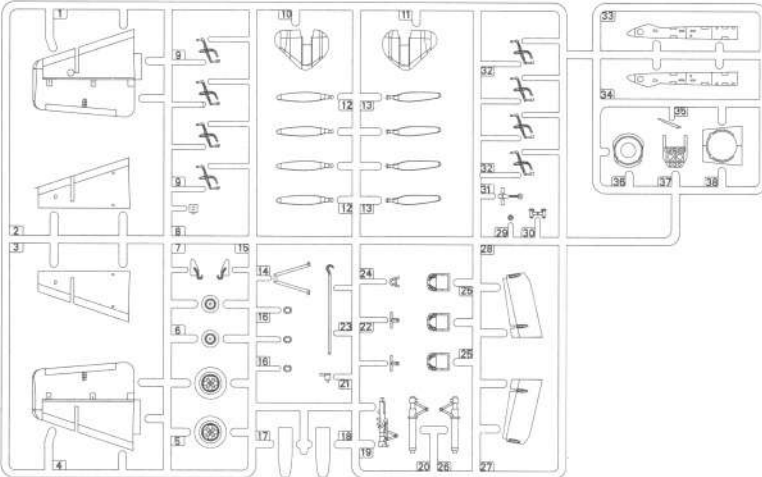
B



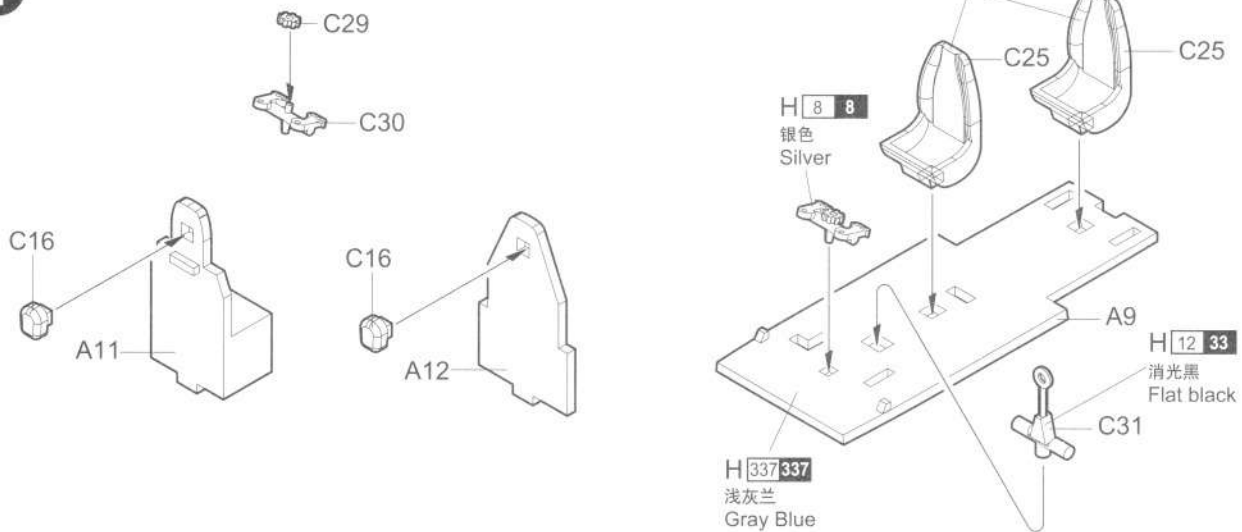
《水贴纸》
Decal



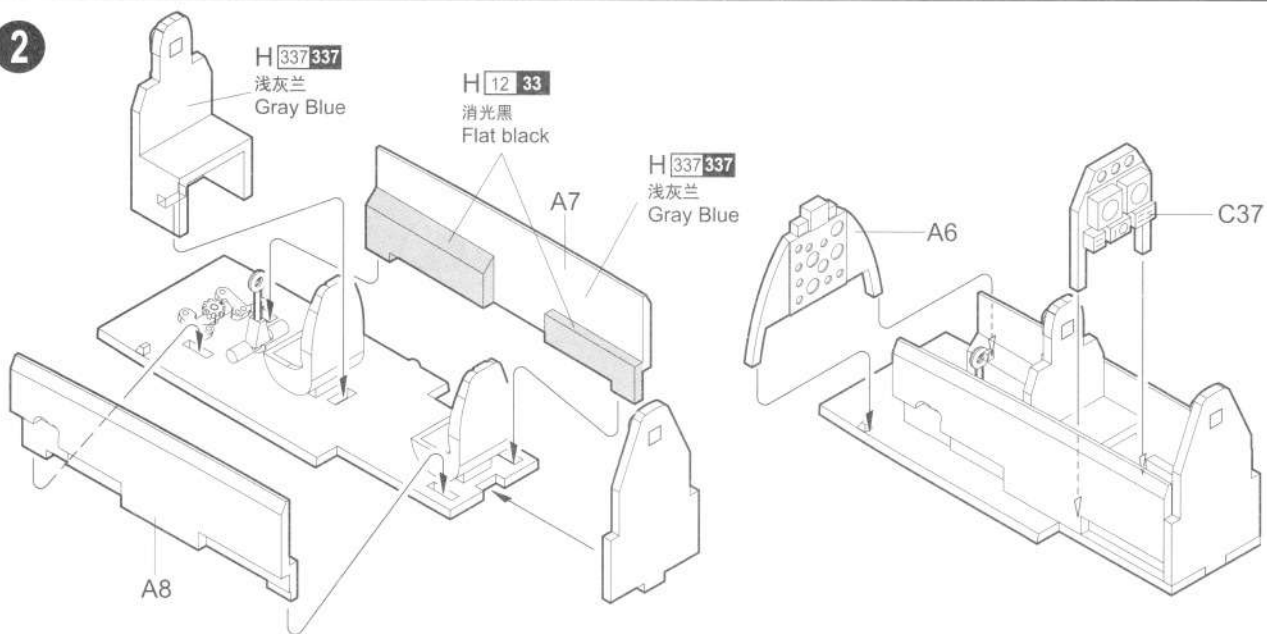
C



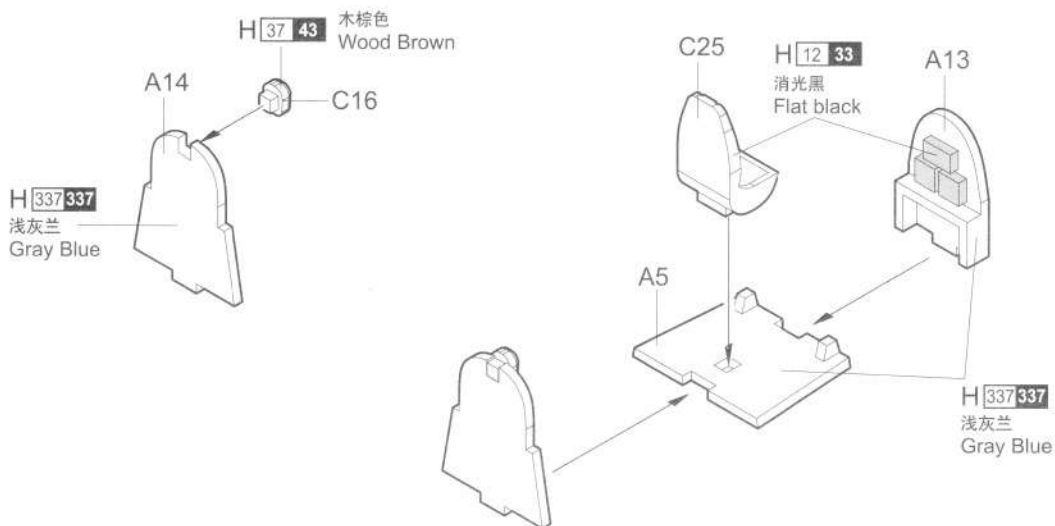
1



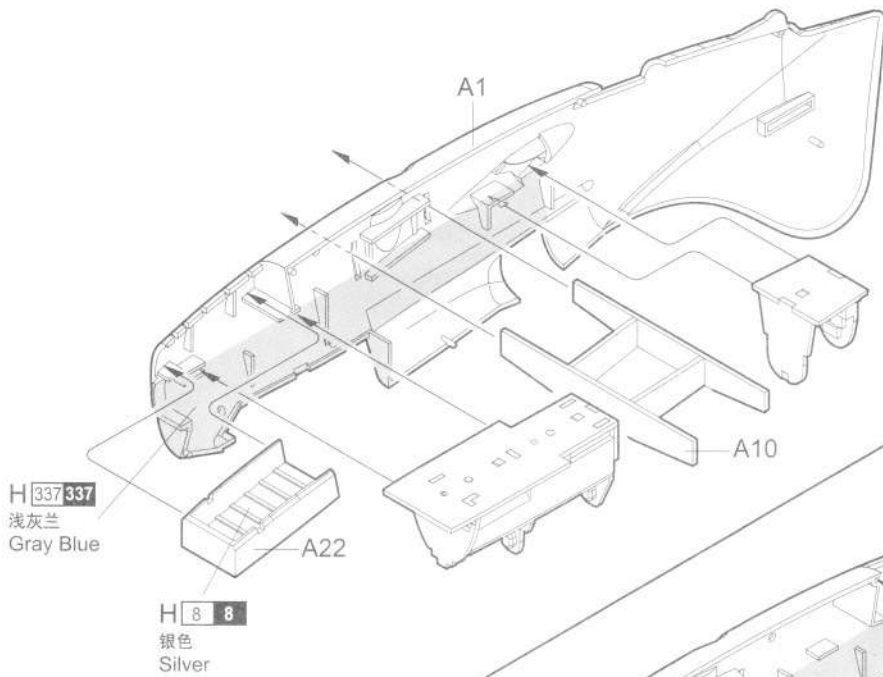
2



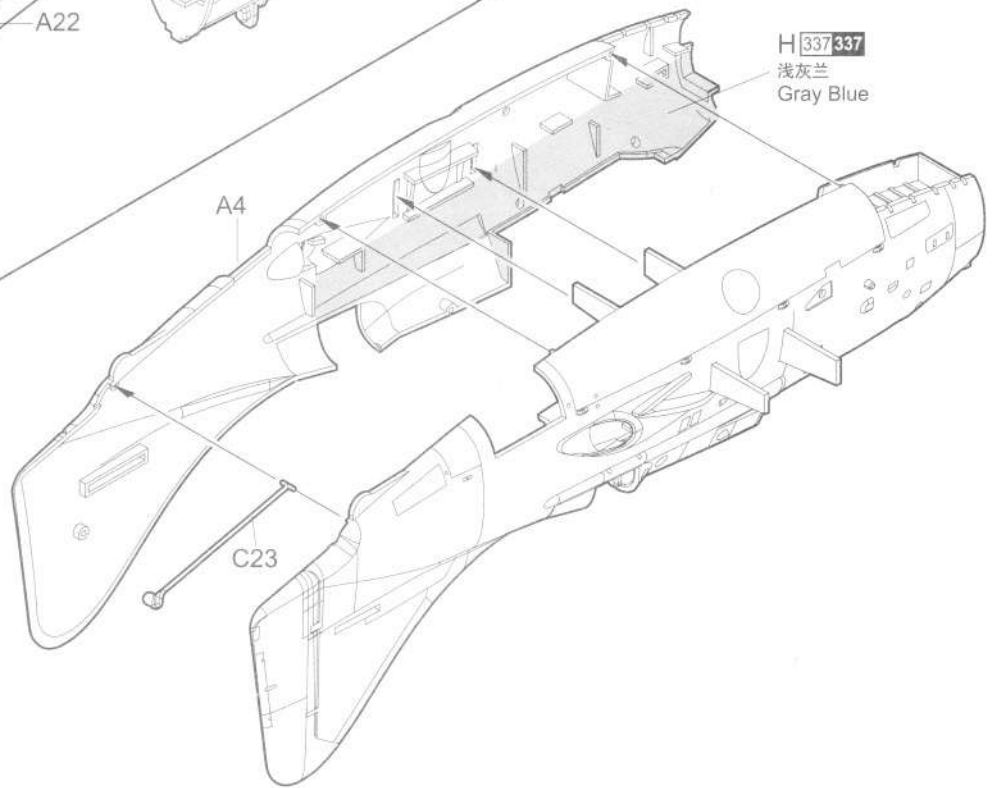
3



4

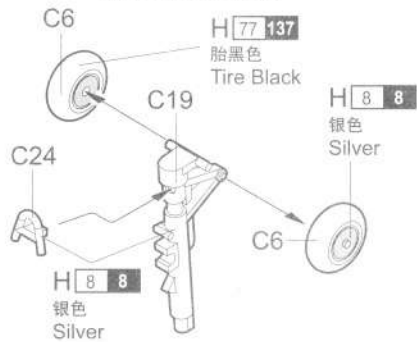


5



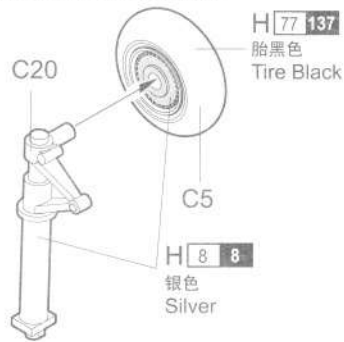
<<前起落架>>

Nose undercarriage



<<左侧主起落架>>

Left main undercarriage



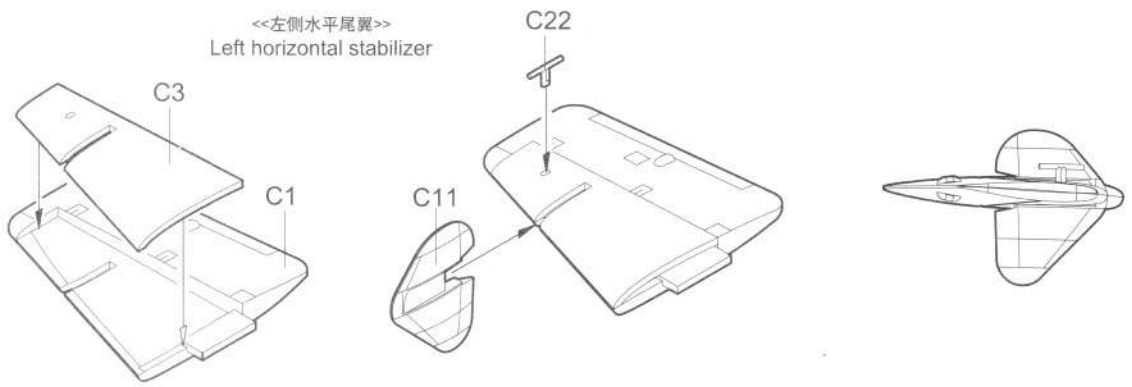
<<右侧主起落架>>

Right main undercarriage



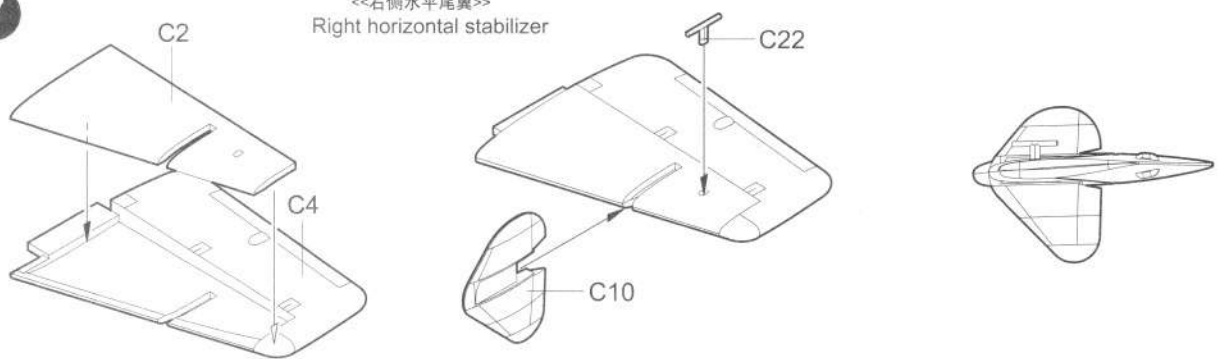
6

<<左侧水平尾翼>>
Left horizontal stabilizer

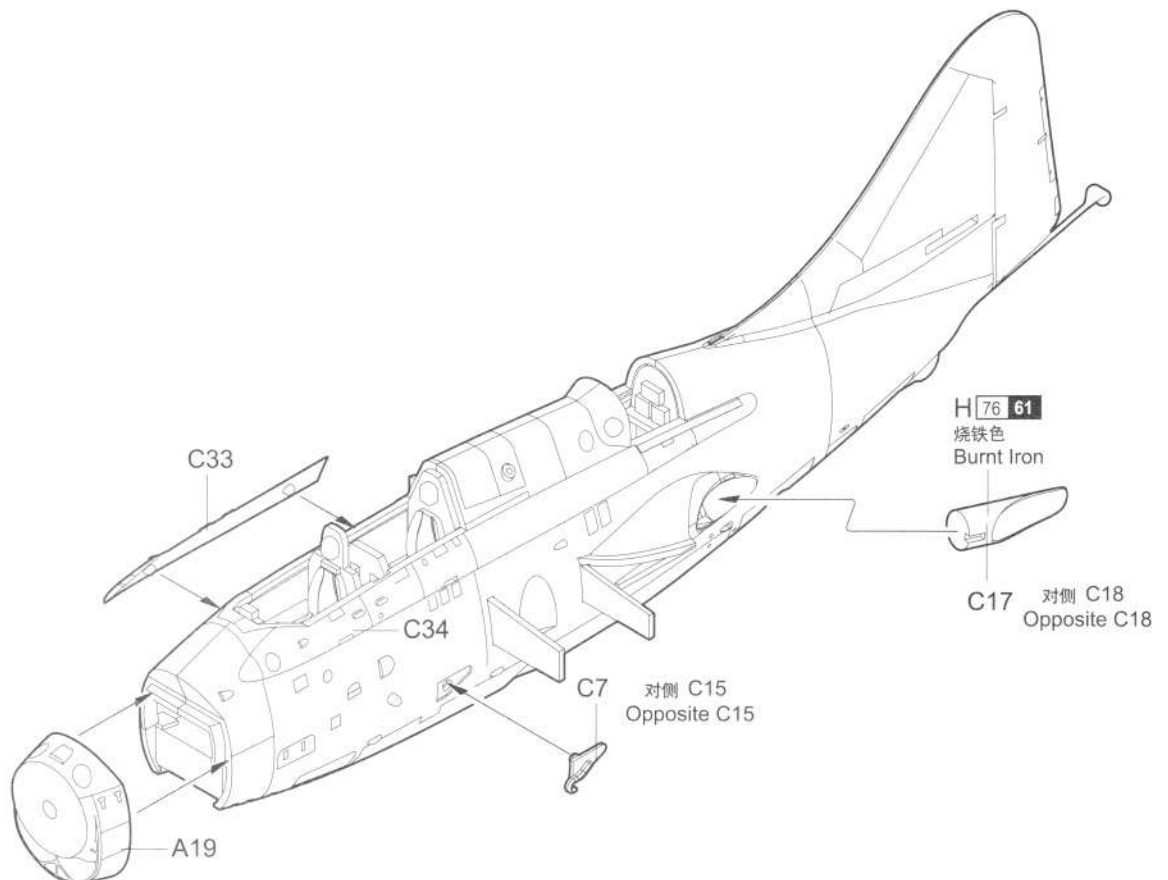


7

<<右侧水平尾翼>>
Right horizontal stabilizer



8

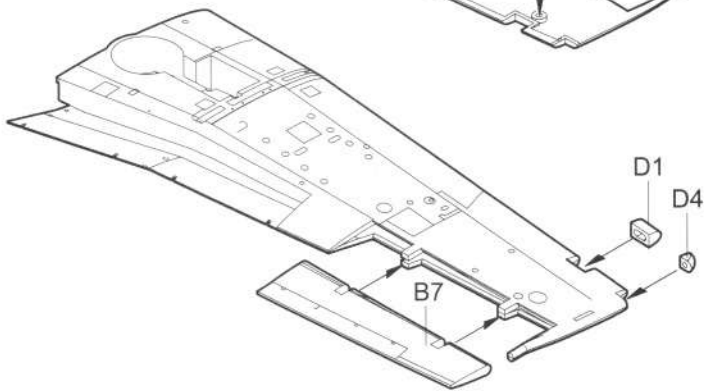


9

B3

<<左侧机翼>>
Left wing

B8



H 8 8

银色
Silver

C32

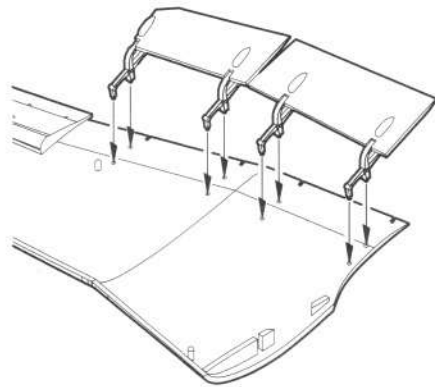
C9

C9

C32

B1

C28



10

<<右侧机翼>>
Right wing

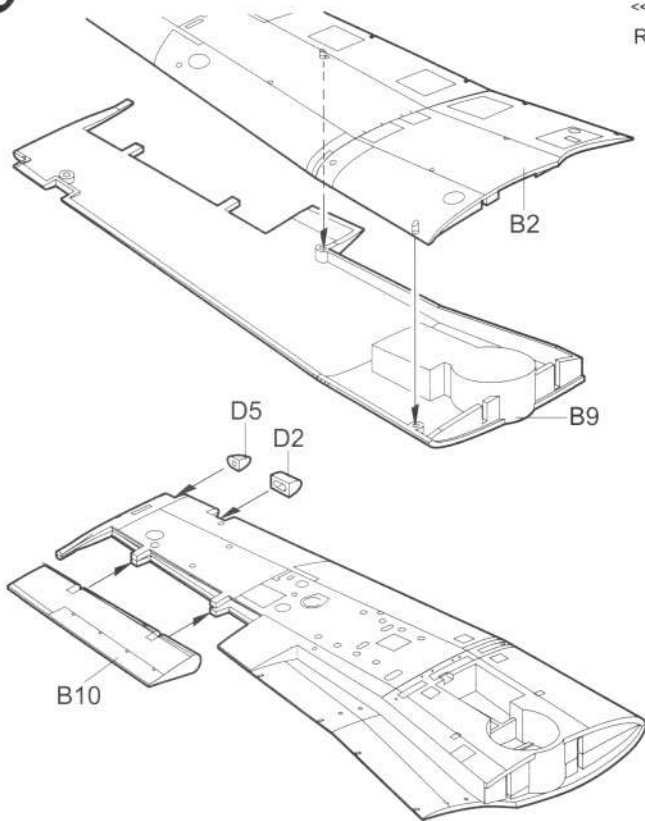
B2

B9

D5

D2

B10



H 8 8

银色
Silver

C9

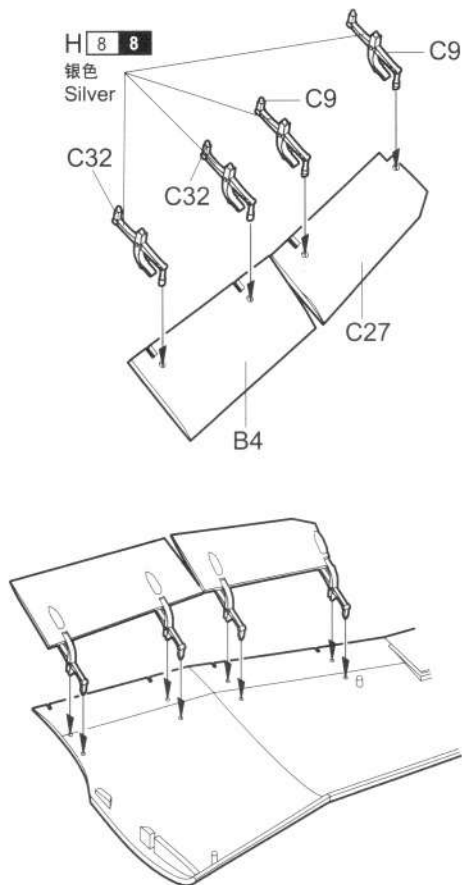
C9

C32

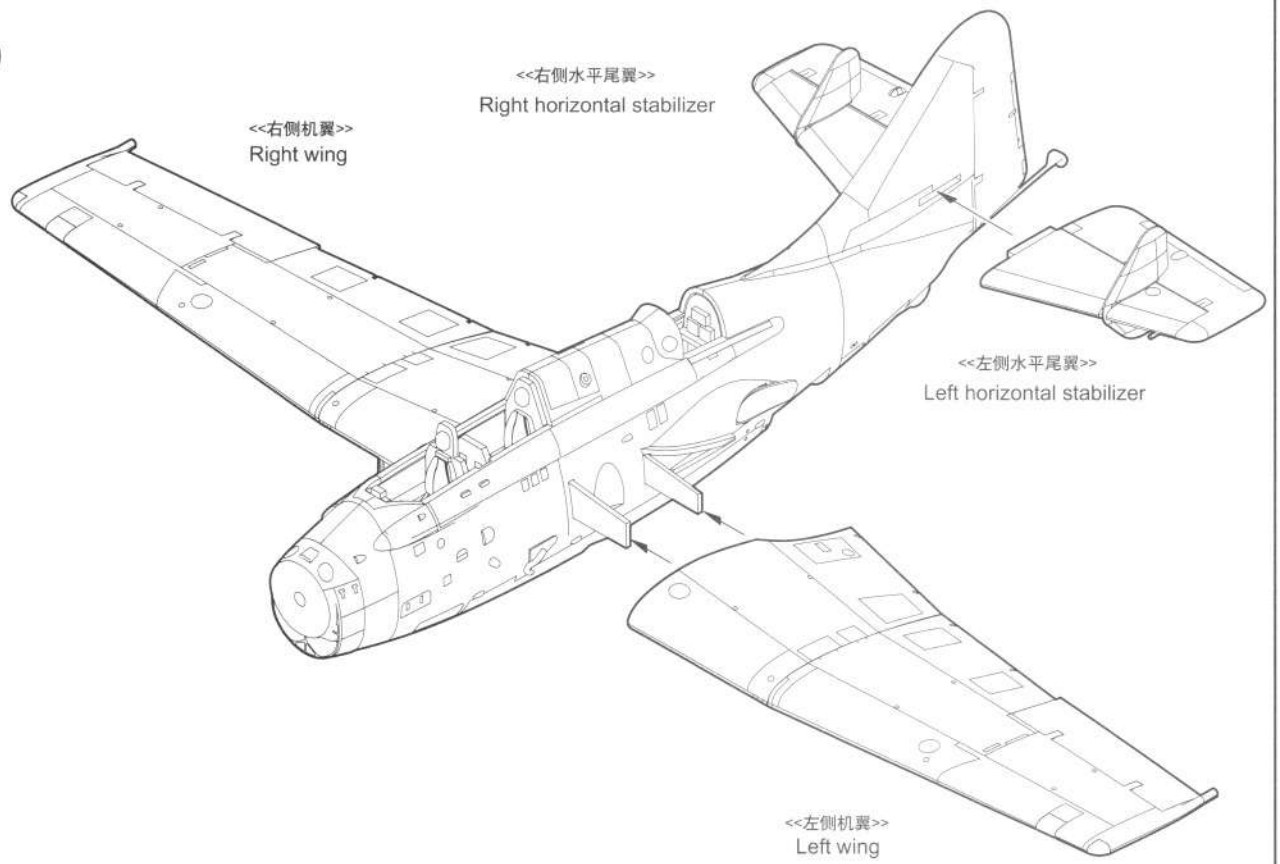
C32

C27

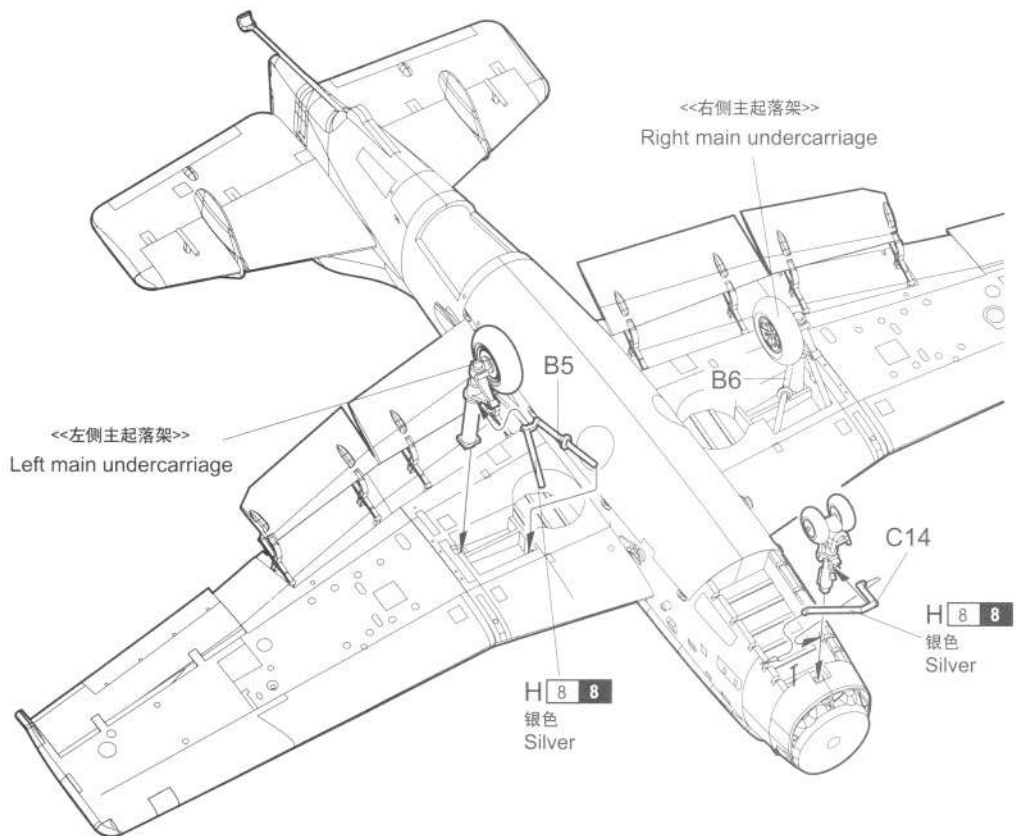
B4



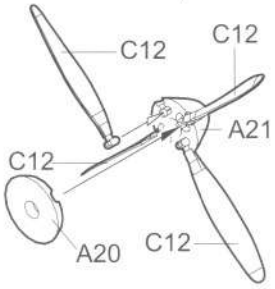
11



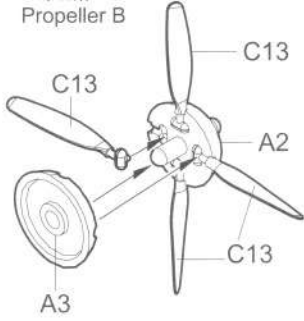
12



<<螺旋桨 A>>
Propeller A



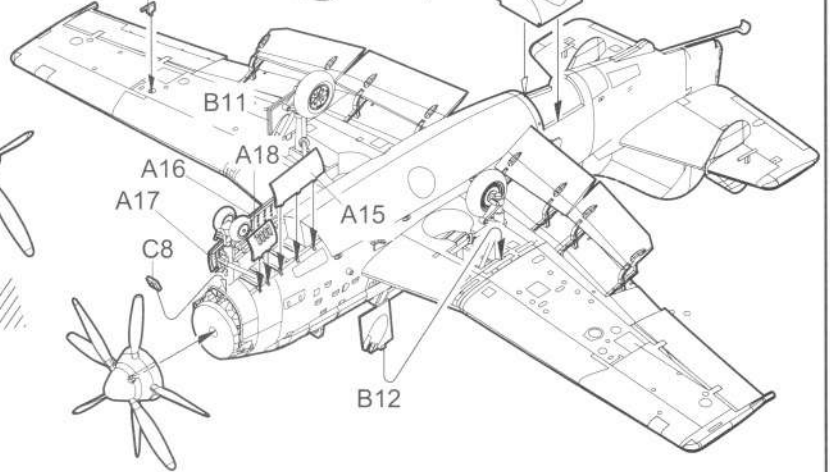
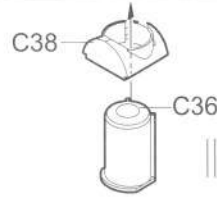
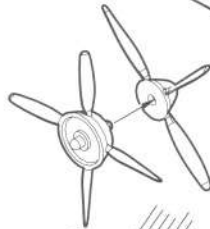
<<螺旋桨 B>>
Propeller B



13

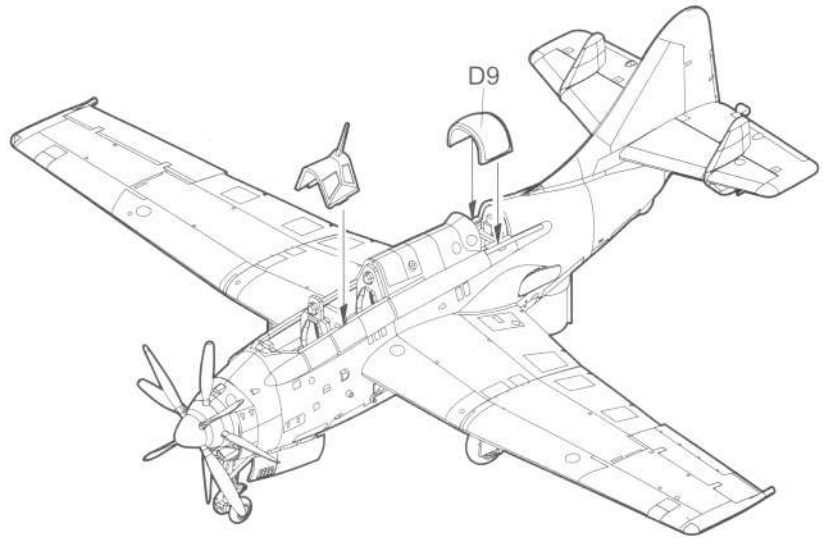
<<螺旋桨 A>>
Propeller A

<<螺旋桨 B>>
Propeller B

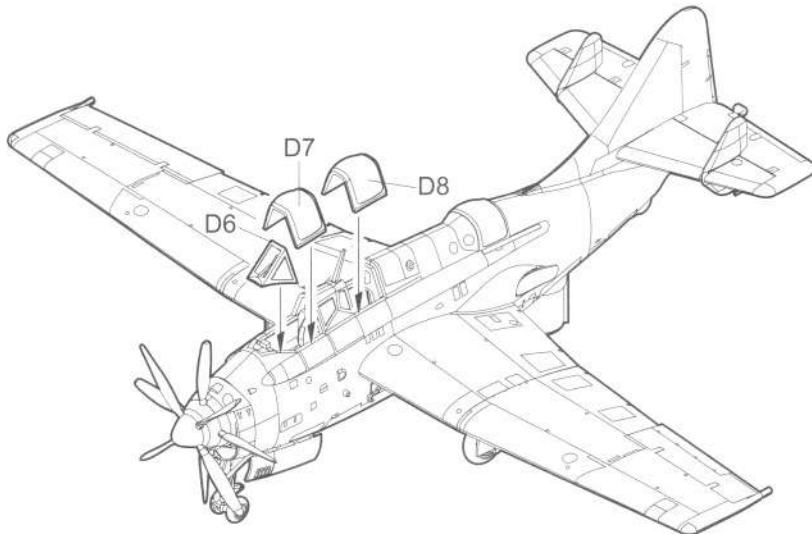


14

D3 C35



15



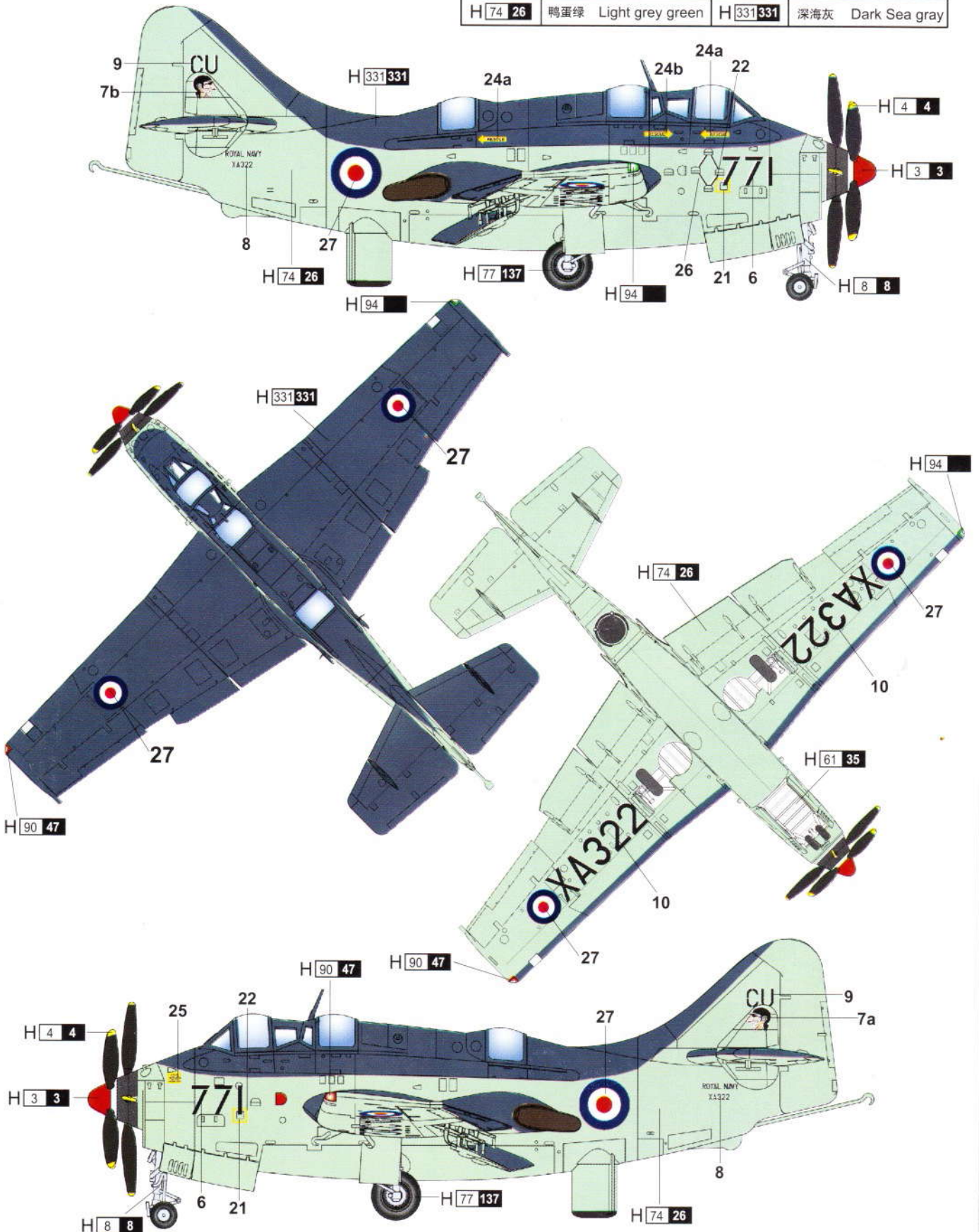
涂装同标贴指示
Painting & Marking guide

郡仕色使用

Gunze Mr. color used

A XA322/771-Cu, 769Sqn
RNAS Culdrose 1957.

Gunze		H 61 35	明灰白(1) Ijn Gray
H 2 2	黑色 Black	H 90 47	透明红 Clear Red
H 3 3	红色 Red	H 94	透明绿 Clear Green
H 4 4	黄色 Yellow	H 77 137	胎黑色 Tire Black
H 74 26	鸭蛋绿 Light grey green	H 331 331	深海灰 Dark Sea gray



XA402

ROYAL NAVY

3 XA402

ROYAL NAVY

5

XA402

327

XA402

B⁴

B327

771

6



7a



7b

XA322

10

771

CU⁹ CU

ROYAL NAVY

XA322

8

ROYAL NAVY

XA322

XA322



11a



11b



12a



12b



14a



15a



15b

UA¹³ 112

14b



UA¹³ 112



16



16



21



22



23



24a



24b



24c



25



26



27

