

REHEAT MODELS thank you for purchasing this product and recommend that you read the instructions thoroughly and practice a little with the pieces you do not intend using on future models.

Reheat Models has a complete line in cockpit detailing sets, from instrument faces and dials to switch consoles, instrument bezels, radar screens, harness buckles, trim wheels and levers, canopy details and more. All these can be enhanced by using Reheat's "Precision Punch & Die" set (RH036). Note: RH036 available by direct order only from Reheat Models. For more information on the Reheat range write to the address below.

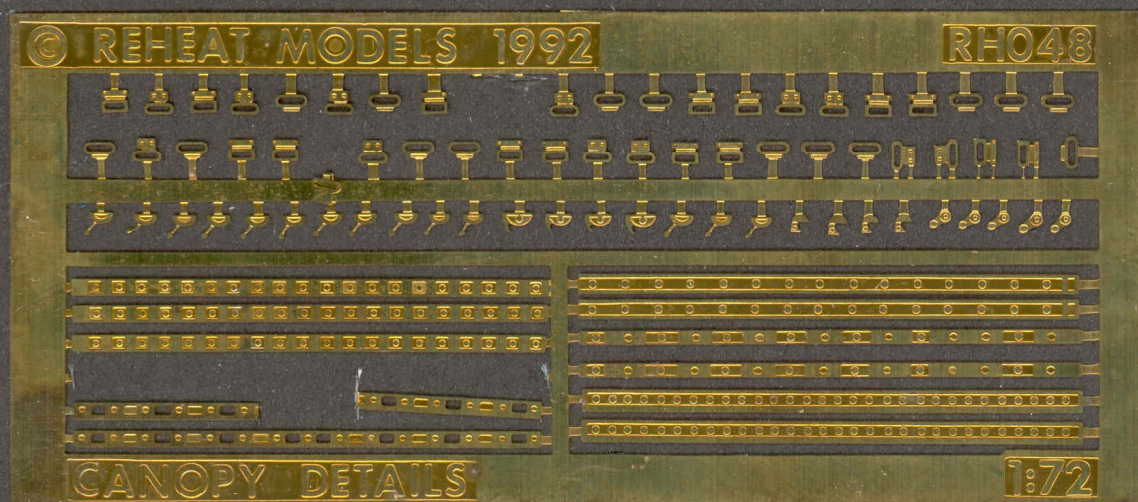
Suggested method of use...

Remove the part from the frame by cutting the tab close to the item using a sharp blade on a hard surface. Clean up any remaining tab by holding the part in a pair of tweezers or pliers and removing excess material with a fine file.

Parts can be fixed into place using Superglue, epoxy adhesive or PVA.

Painting.....

A scuffed and worn look can be replicated by 'dry brushing' a lighter shade of the base colour to bring out the raised detail. 'Washing' with a thin mixture of black paint will create more depth.



REHEAT MODELS...

1A Oak Drive, N. Bradley, Trowbridge, WILTS. BA14 0SW. ENGLAND.

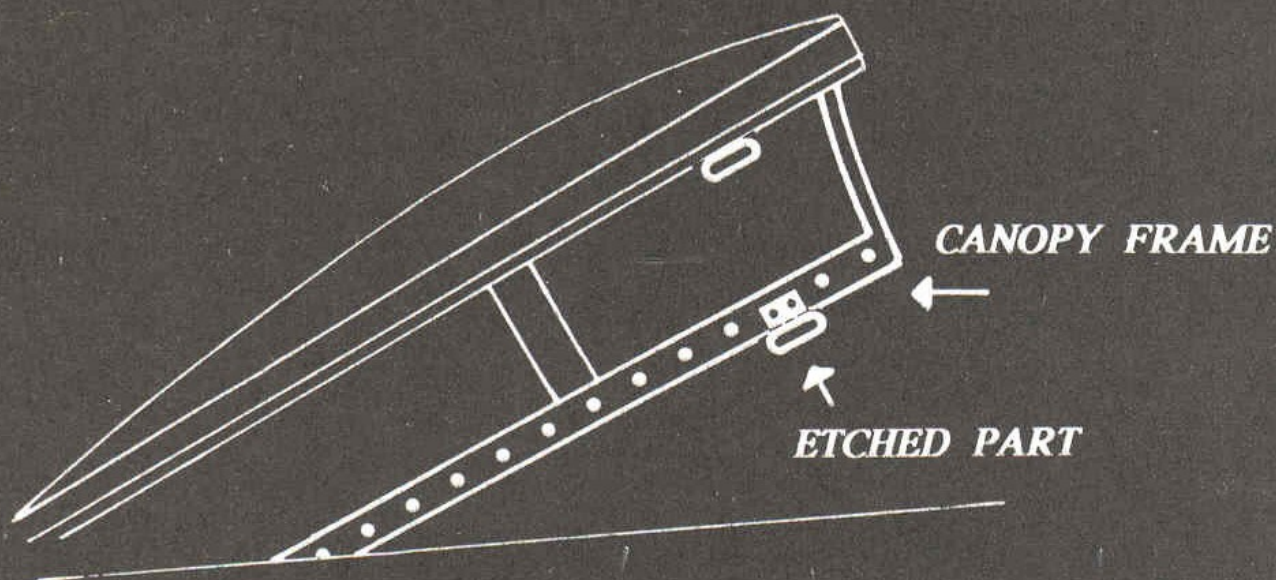
CANOPY DETAILS

Although not every type of canopy detail is included in this set, the selection provided covers cockpit sills/rails, canopy locks and handles for more older aircraft.

Reheat Canopy Details are available in 3 scales (1/72, 1/48 & 1/32) and are designed for use on both modern and vintage aircraft and may well be of use to military, auto and sci-fi modellers. Ideal for use on vac-form, scratchbuilds or just plain superdetailing.

The flat strips can be made to replicate cockpit sills, sliding rails or internal canopy detail. Measure the area on the kit part and cut the etching to fit.

A variety of smaller parts are provided which can be used to suggest canopy grab handles, locks, locking levers etc... Check your references to see which is the most suitable for your model. PVA glue is the safest when it comes to joining etched metal to clear plastic.



Painting...

We suggest painting these parts prior to fixing them to any canopies, to avoid the risk of getting paint onto clear areas. Most canopy details are black or the same colour as the cockpit interior and this could be anything from cockpit green, silver, light grey, chromate..