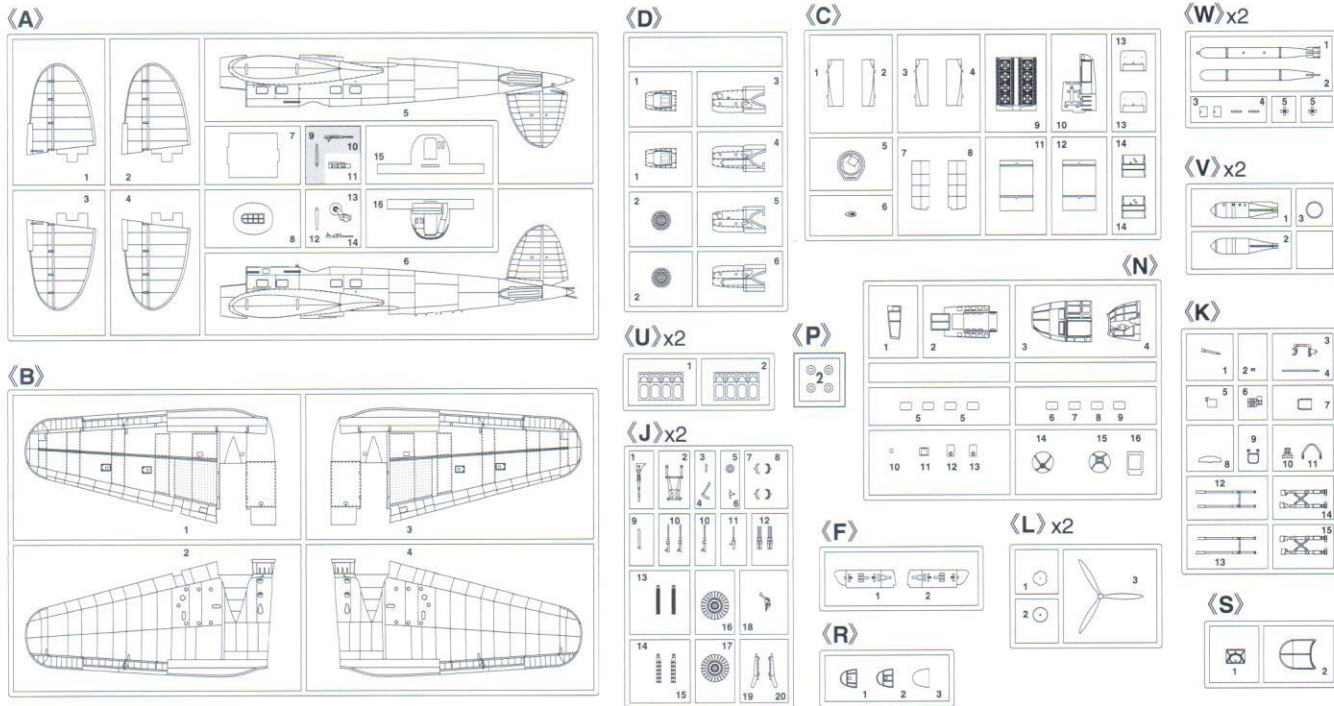


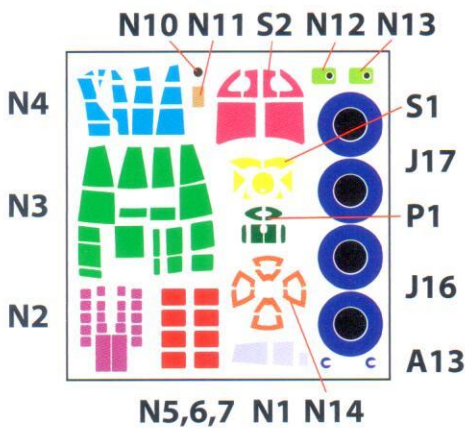
# Heinkel He 111 H-3

## Eastern Front 1941

72049

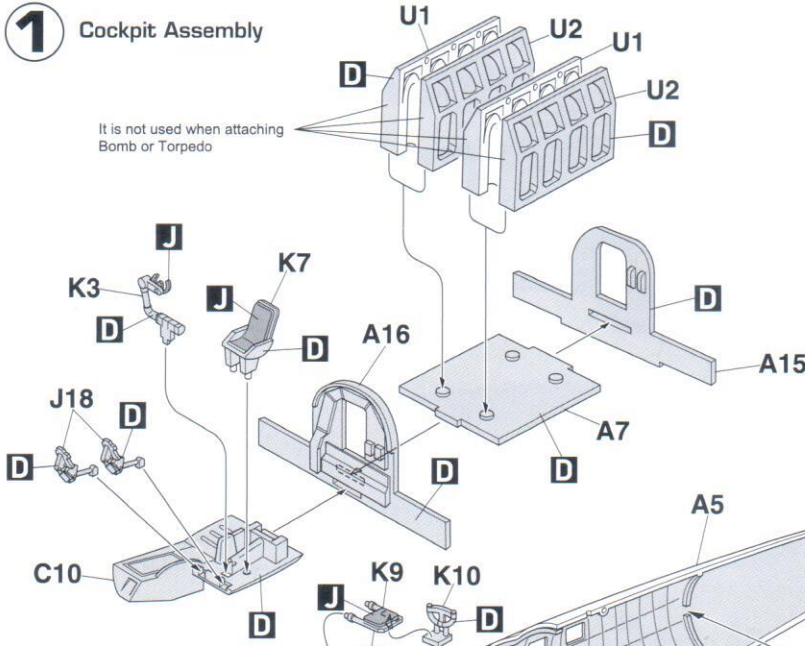


### Painting Mask Set



Color Chart	AK Interactive	Alclad2	AMMO	HATAKA	Mr. COLOR	Revell	TAMIYA
RLM70 Black Green	A RC274	E216	232	015	018	140	XF-27
RLM71 Dark Green	B RC275	E647	233	017	017	139	XF-26
RLM65 Light Blue	C RC272	E214	231	029	115	149	XF-23
RLM66 Black Gray	D RC339	E215	218	040	116	177	XF-84
RLM61 Dark Brown	E RC268		110	168		185	XF-10
RLM62 Dark Green	F RC269		065	169	303	139	XF-61
RLM63 Grey	G RC270		266	167		175	XF-20
RLM04 Yellow	H RC267	E649	125	066	113	115	XF-3
RLM02 Gray	I RC266	E202	217	023	060	145	XF-22
Flat Black	J RC001	E102	046	100	033	108	XF-1
Steel	K AK-476	112	191	189	028	191	X-11
Tyre Black	L RC022	E310	033	040	137	106	XF-85
Gloss Black	M AK-471	305	032		002	107	X-1
Silver	N RC210	125	195	003	008	190	X-11
Flat White	O RC004	E101	050		062	105	XF-2
Flat Red	P RC006	E651	049	132	079	330	XF-7
Clear Red	Q RC503	401	093		047	731	X-27
Clear Blue	R RC504	403	098		050	752	X-23
Burnt Metal	S RC015	121	187	016	061		XF-84

**1** Cockpit Assembly



OPEN HOLE  
FORO APERTO  
OFFNEN  
HACER AQUJERO  
WYKONAC OTWÓR  
FAIRE UN TROU  
VYVRTAT OTVOR

DECAL  
DECALCOMANIE  
ABZIEHBILD  
CALCOMANIA  
KALKOMANIA  
DECALCOMANIE  
OBTISK

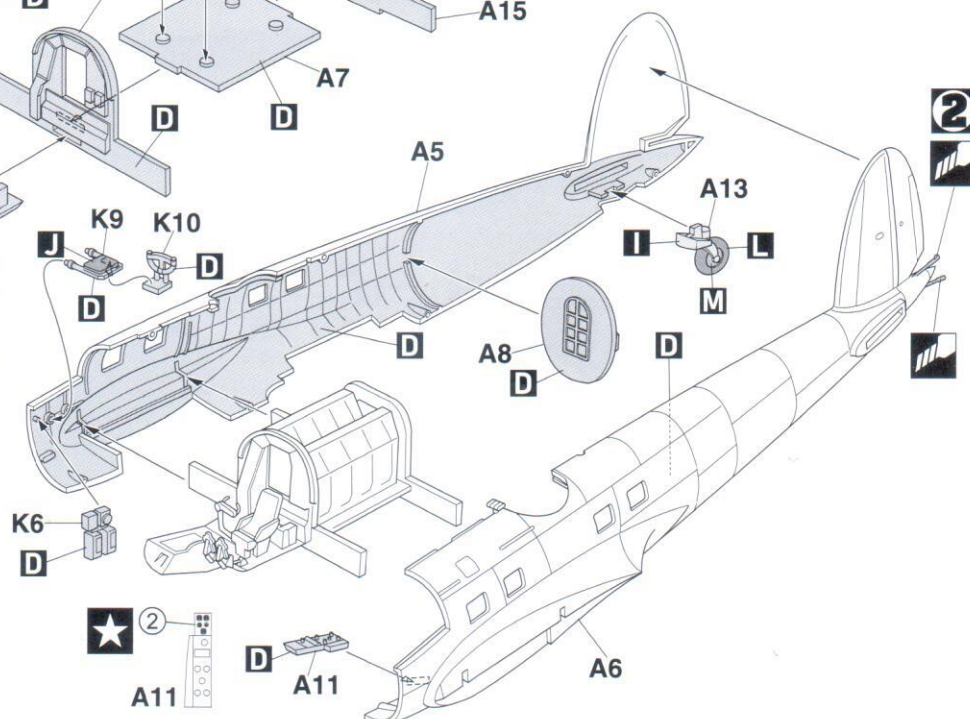
REMOVE  
RETIRER  
ENTFERNEN  
ENTFERNEN  
CORTAR  
WYCIĄC  
WYCIĄC  
SEPARARE  
ODSTRANIT

OPTION  
FACULTATIF  
NACH BELIEBEN  
HACER AQUJERO  
DO WYBORU  
FACULTATIVO  
VOLBA

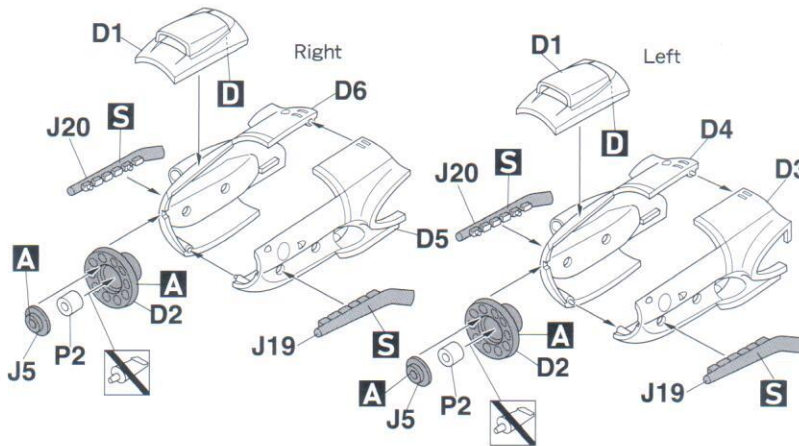
FILL HOLE  
FORO PIENO  
SCHLIESSEN  
EMPUJE EL AQUJERO  
ZAMKNAĆ OTWÓR  
BOUCHER LE TROU  
ZAKRYTE OTVOR

DO NOT CEMENT  
NE PAS COLLER  
NICHT KLEBEN  
NO PEGAR  
NIE SKLEJAC  
NON INCOLLARE  
NELEPIT

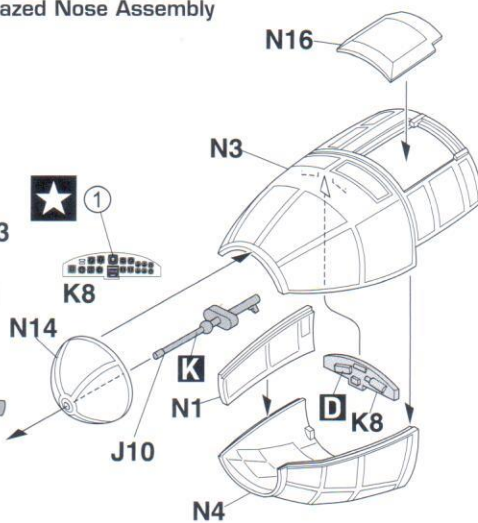
**2** Fuselage Assembly



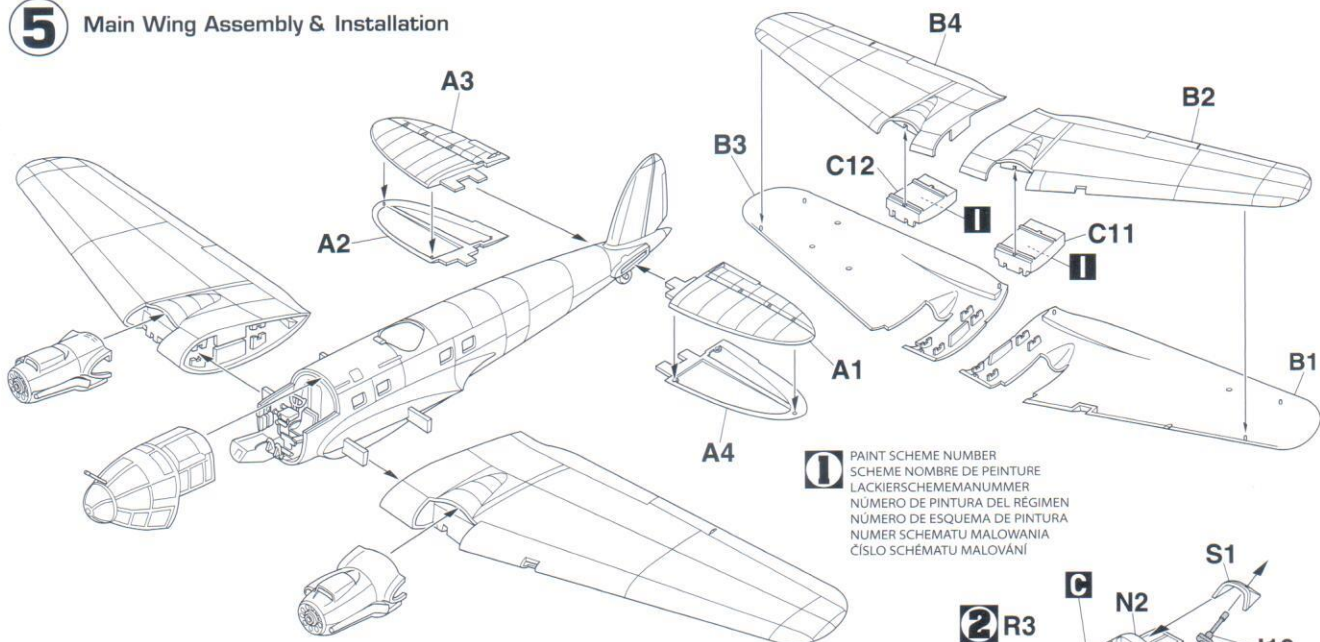
**3** Engine Nacelle Assembly



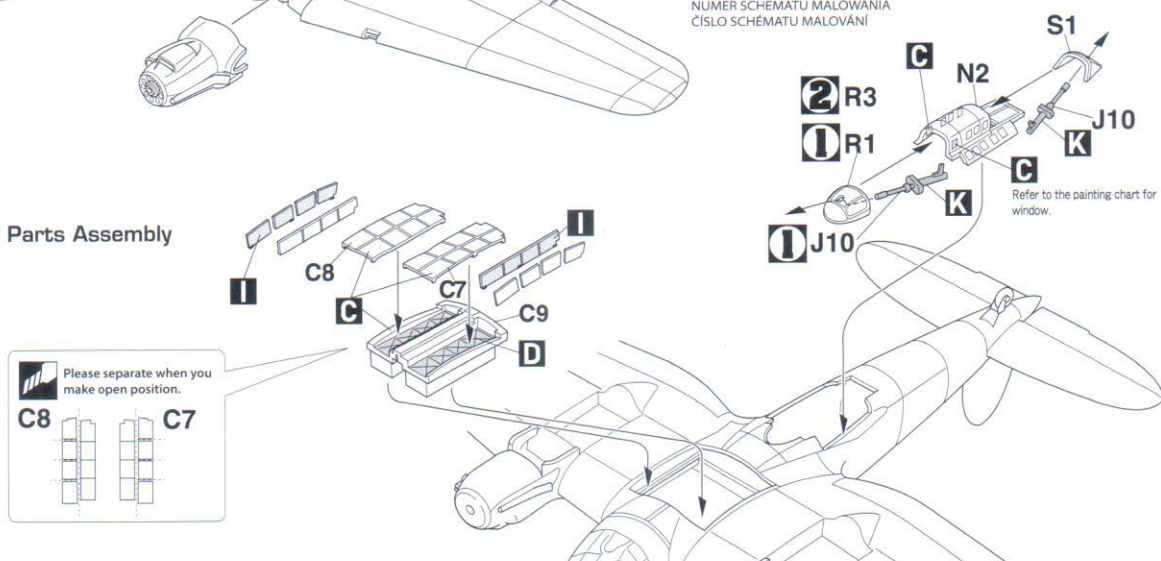
**4** Glazed Nose Assembly



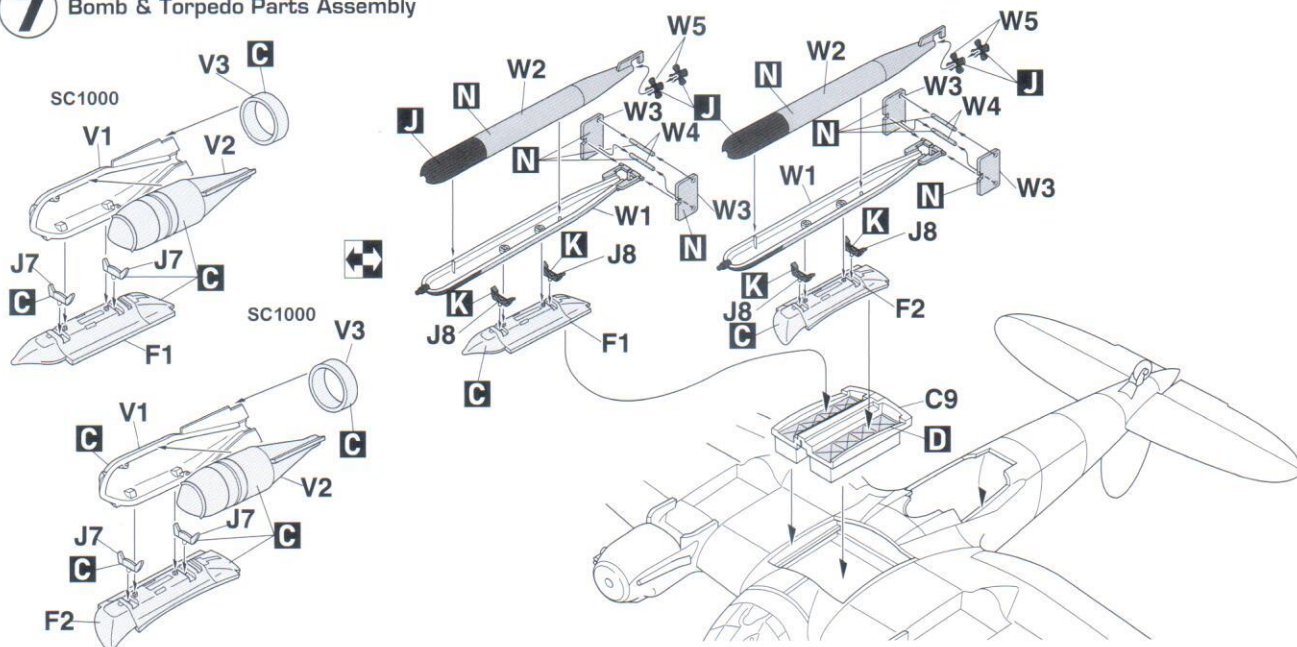
## 5 Main Wing Assembly & Installation



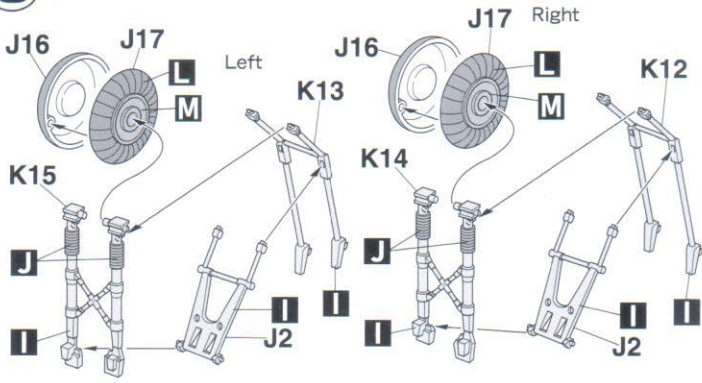
## 6 Various Parts Assembly



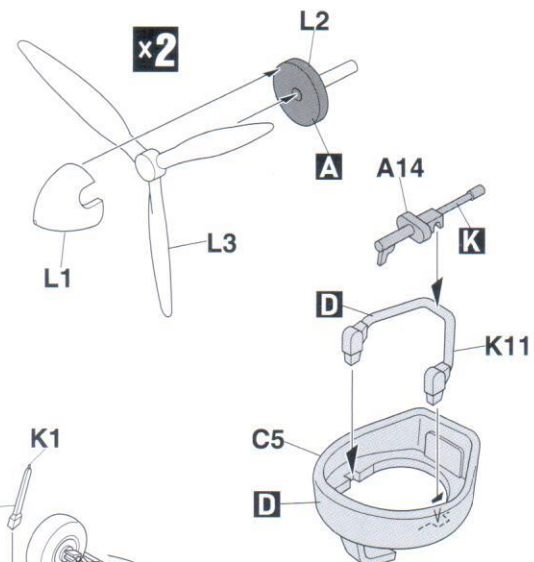
## 7 Bomb & Torpedo Parts Assembly



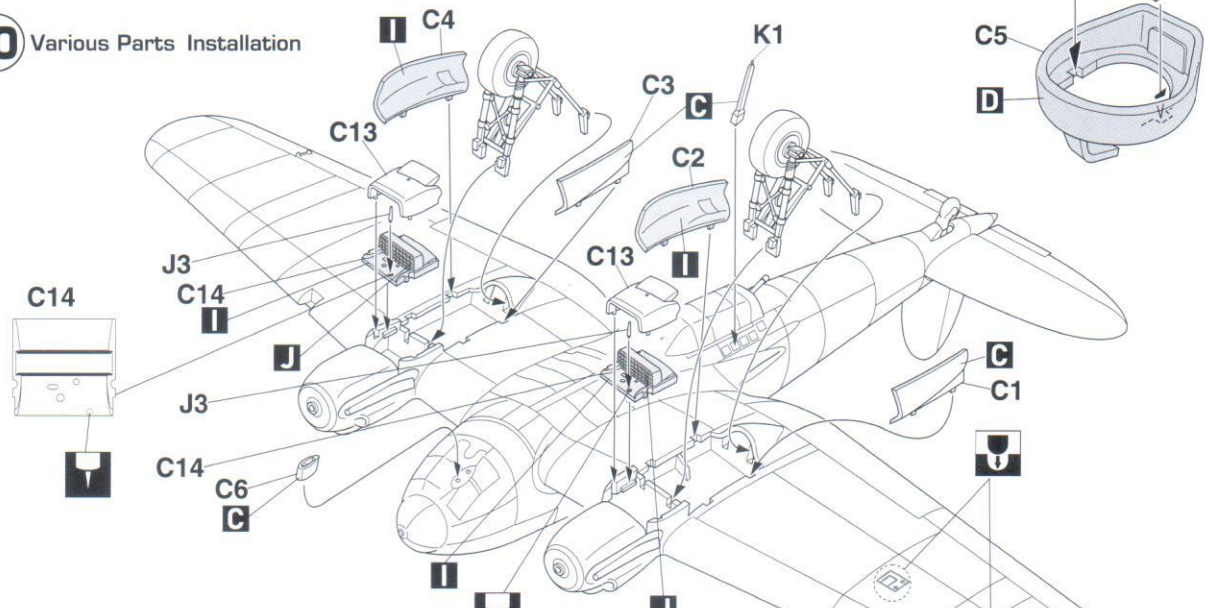
### 8 Main Gear Assembly



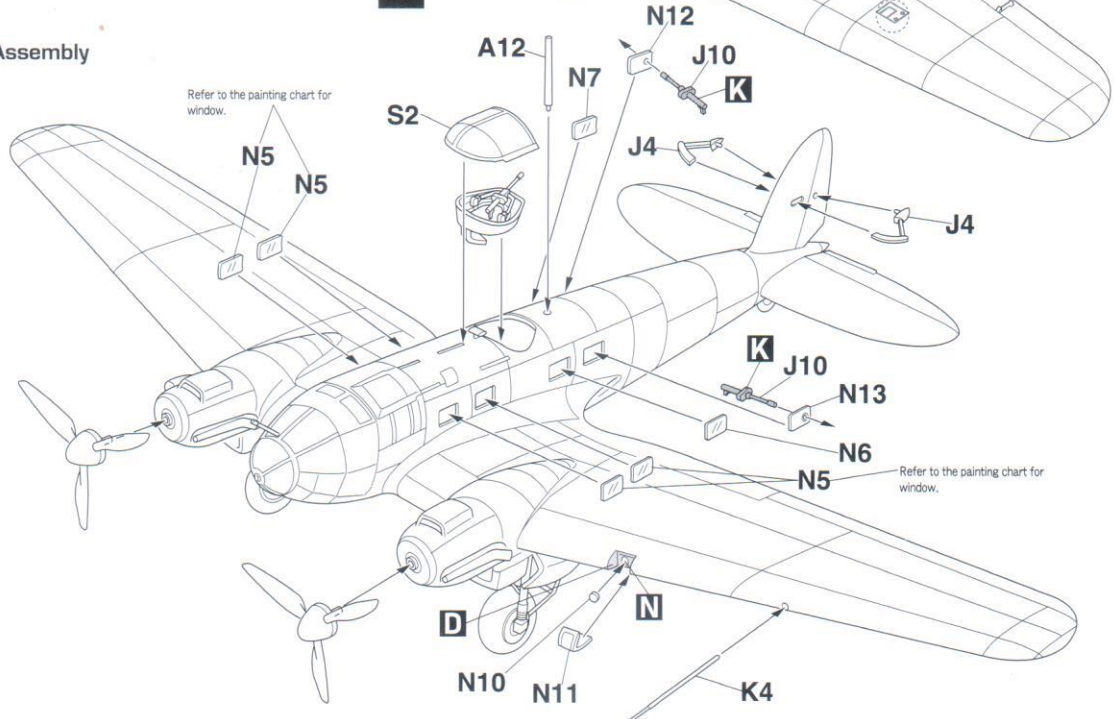
### 9 Propeller Assembly



### 10 Various Parts Installation



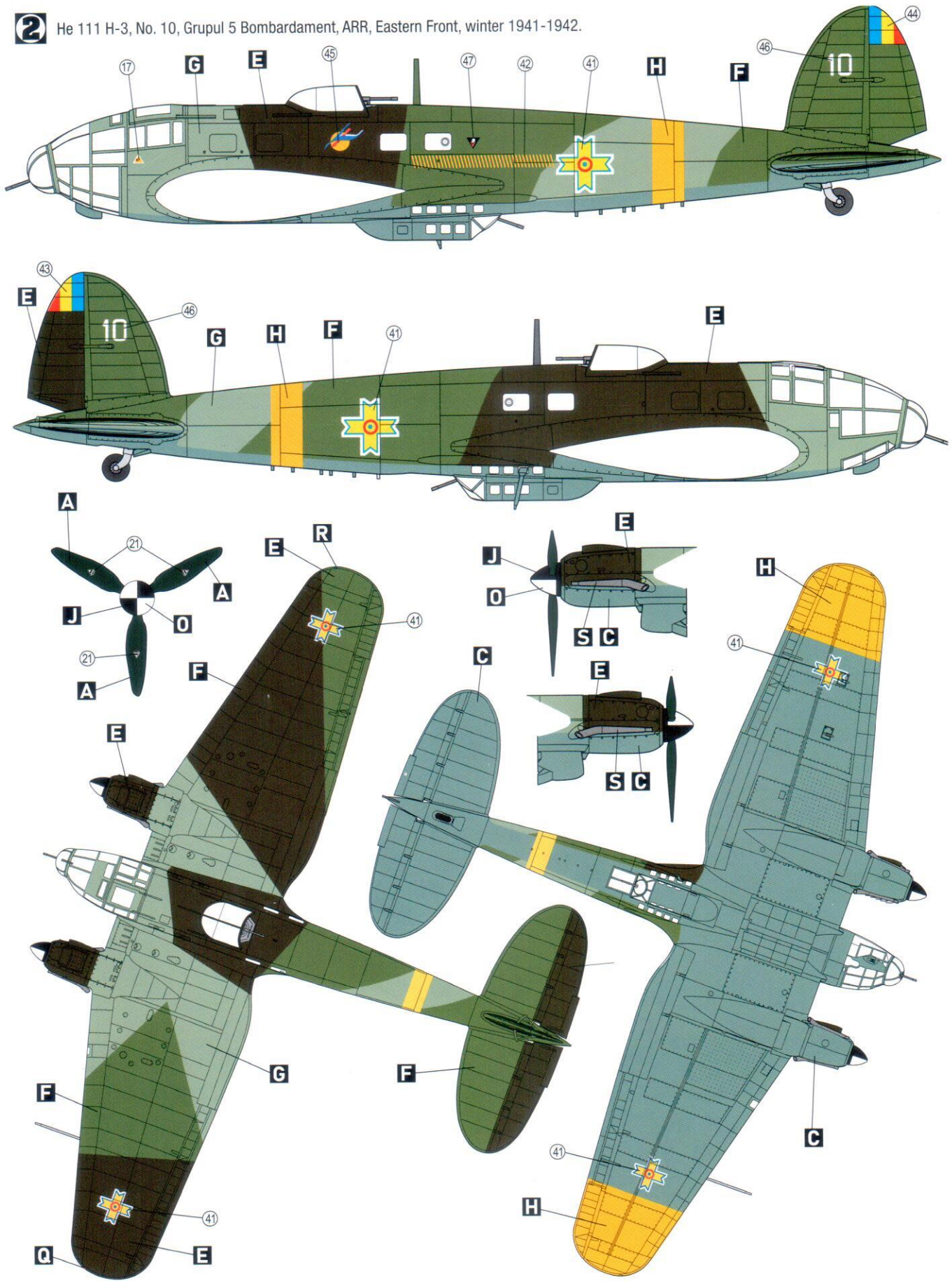
### 11 Final Assembly



**I** He 111 H-3, WNr. 3306, A1+LT, 9./KG 53, Eastern Front, winter 1941-1942.



**2** He 111 H-3, No. 10, Grupul 5 Bombardament, ARR, Eastern Front, winter 1941-1942.



30 31 32 33 34  
 A1 A1  
 35 36 37 38  
 3 4 5 6 7 8 9 10 11 12 13 14 15 16 17 18 19 20 21 22 23 24 25 26 27 28 29 39 40 41 42 43 44 45 46 47 48 49

37  
 38  
 39  
 40  
 41  
 42  
 43  
 44  
 45  
 46  
 47  
 48  
 49

6  
 7  
 8  
 9  
 10  
 11  
 12  
 13  
 14  
 15  
 16  
 17  
 18  
 19  
 20  
 21  
 22  
 23  
 24  
 25  
 26  
 27  
 28  
 29

39  
 40  
 41  
 42  
 43  
 44  
 45  
 46  
 47  
 48  
 49

1  
 2  
 3  
 4  
 5  
 6  
 7  
 8  
 9  
 10  
 11  
 12  
 13  
 14  
 15  
 16  
 17  
 18  
 19  
 20  
 21  
 22  
 23  
 24  
 25  
 26  
 27  
 28  
 29

1  
 2  
 3  
 4  
 5  
 6  
 7  
 8  
 9  
 10  
 11  
 12  
 13  
 14  
 15  
 16  
 17  
 18  
 19  
 20  
 21  
 22  
 23  
 24  
 25  
 26  
 27  
 28  
 29

1  
 2  
 3  
 4  
 5  
 6  
 7  
 8  
 9  
 10  
 11  
 12  
 13  
 14  
 15  
 16  
 17  
 18  
 19  
 20  
 21  
 22  
 23  
 24  
 25  
 26  
 27  
 28  
 29

1  
 2  
 3  
 4  
 5  
 6  
 7  
 8  
 9  
 10  
 11  
 12  
 13  
 14  
 15  
 16  
 17  
 18  
 19  
 20  
 21  
 22  
 23  
 24  
 25  
 26  
 27  
 28  
 29

1  
 2  
 3  
 4  
 5  
 6  
 7  
 8  
 9  
 10  
 11  
 12  
 13  
 14  
 15  
 16  
 17  
 18  
 19  
 20  
 21  
 22  
 23  
 24  
 25  
 26  
 27  
 28  
 29

1  
 2  
 3  
 4  
 5  
 6  
 7  
 8  
 9  
 10  
 11  
 12  
 13  
 14  
 15  
 16  
 17  
 18  
 19  
 20  
 21  
 22  
 23  
 24  
 25  
 26  
 27  
 28  
 29