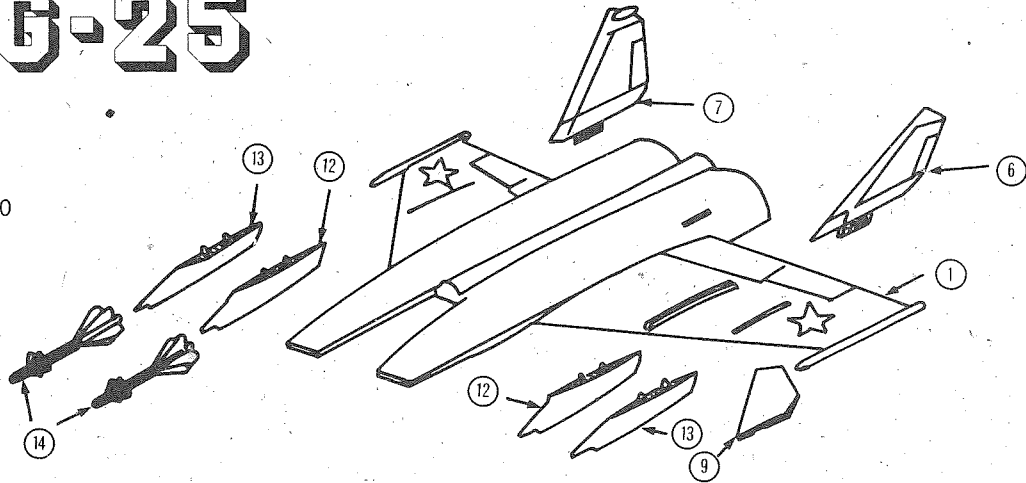


MIG-25

DATA
 WIDTH: 14.0m
 LENGTH: 22.3m
 HEIGHT: 5.6m
 SPEED: Mach 3.0



NOTE: CHECK THE FIT OF EACH PIECE CAREFULLY BEFORE CEMENTING INTO PLACE.

READ THIS BEFORE YOU BEGIN.

- Study the assembly drawings.
- Each plastic part is identified by a number.
- Check the fit of each piece before cementing in place.
- Do not use too much cement to join parts.
- Use only cement for polystyrene plastic.
- Model may be painted to match photos on the header card.
- Scrape paint from areas to be cemented.
- For better paint and decal adhesion, wash the plastic parts in a mild detergent solution. Rinse and let air dry.

HOW TO APPLY DECALS

Cut the required decal from the sheet provided and dip the decal in clean water for approximately thirty seconds or until it slides easily on the backing sheet. Slide the decal into the required position, gently press the decal onto the surface with a soft dry cloth.



PARTS

1. Fuselage (upper)
2. Fuselage (bottom)
3. Nose cone (left)
4. Nose cone (right)
5. Exhaust pipe
6. Radar (left)
7. Radar (right)
8. Stabilizer (left)
9. Stabilizer (right)
10. Ventral fin (left)
11. Ventral fin (right)
12. Missile launcher
13. Missile launcher
14. Missile
15. Nose gear
16. Main gear (left)
17. Main gear (right)
18. Nose gear cover
19. Nose gear cover
20. Main gear cover (left)
21. Main gear cover (right)
22. Front wheel
23. Rear wheel
24. Canopy

