



# Westland Lysander Mk. III (SD)

## 1/72 SCALE MODEL CONSTRUCTION KIT

Ready to assemble scale models kit.

Contains part for one model.

Model length: 129 mm

Wingspan: 230 mm

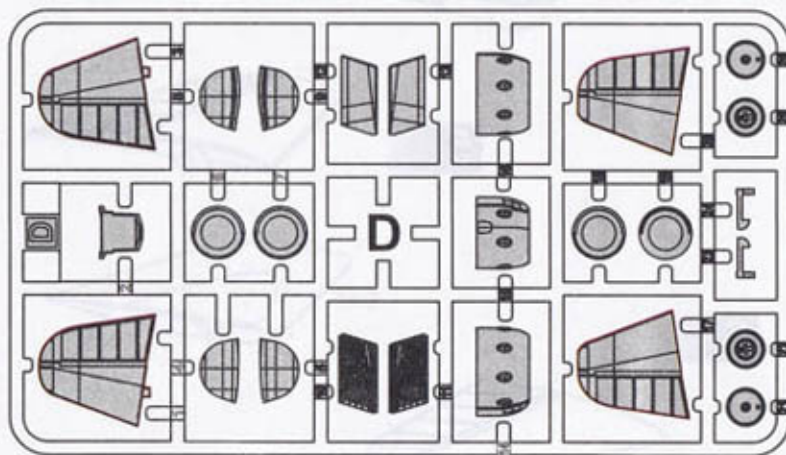
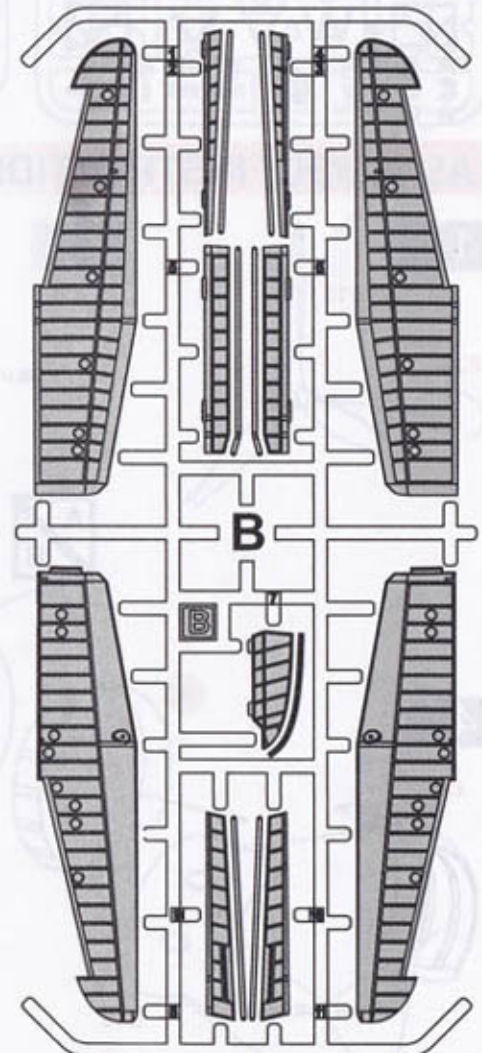
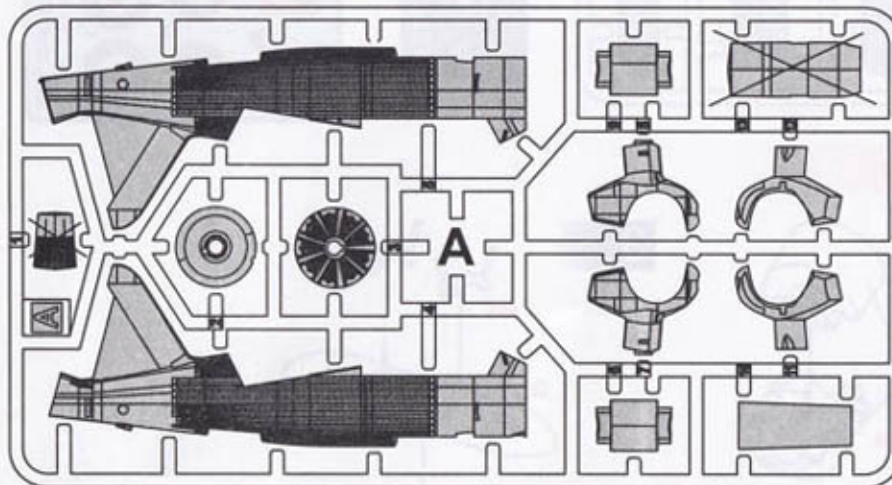
Plastic parts: 120

Photoetched parts: 17

The Westland Lysander (nickname the "Lizzie") is a British army co-operation and liaison aircraft produced by Westland Aircraft used immediately before and during the Second World War. After becoming obsolete in the army co-operation role, the aircraft's exceptional short-field performance enabled clandestine missions using small, improvised airstrips behind enemy lines to place or recover agents, particularly in occupied France with the help of the French Resistance. Royal Air Force army co-operation aircraft were named after mythical or historical military leaders; in this case the Spartan admiral Lysander was chosen.

In August 1941 a new squadron, No. 138 (Special Duties), was formed to undertake missions for the Special Operations Executive to maintain clandestine contact with the French Resistance. Among its aircraft were Lysander Mk IIIs, which flew over and landed in occupied France. While general supply drops could be left to the rest of No. 138's aircraft, the Lysander could insert and remove agents from the continent or retrieve Allied aircrew who had been shot down over occupied territory and had evaded capture. For this role the Mk IIIs were fitted with a fixed ladder over the port side to hasten access to the rear cockpit and a large drop tank under the belly. In order to slip in unobtrusively Lysanders were painted matte black overall (some early examples had brown/green camouflaged upper surfaces and later examples had grey/green upper surfaces); operations almost always took place within a week of a full moon, as moonlight was essential for navigation.

### PARTS OF THE MODEL



### USED SYMBOLS



CEMENT



DON'T CEMENT



REMOVE



SYMMETRICAL



MULTIPLE



BEND



OPEN WHOLE



VARIANTS

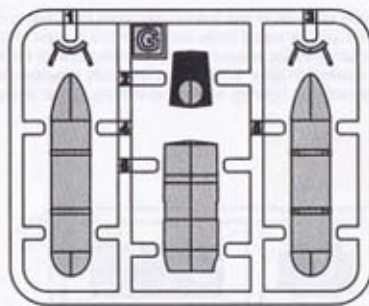
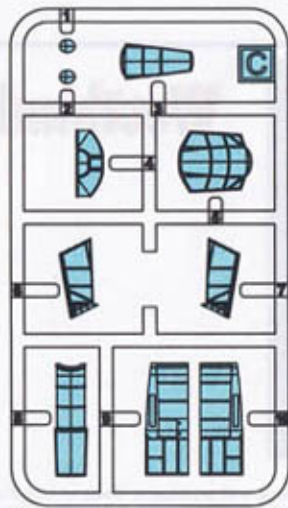
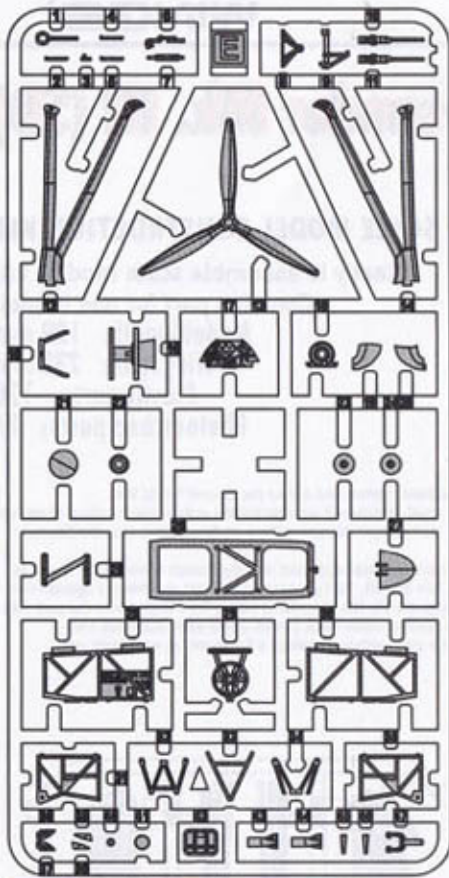


TO PAINT

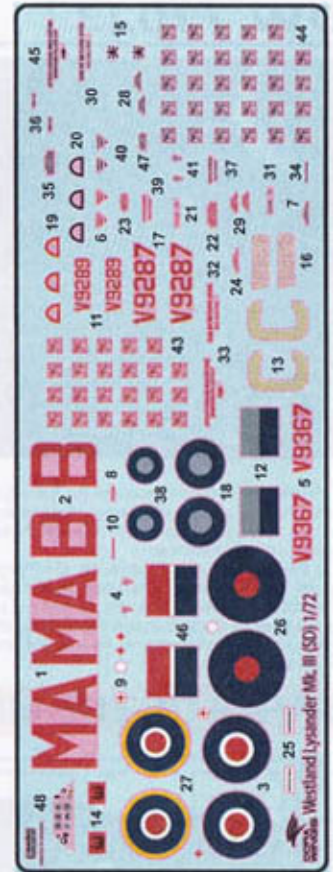


Resin

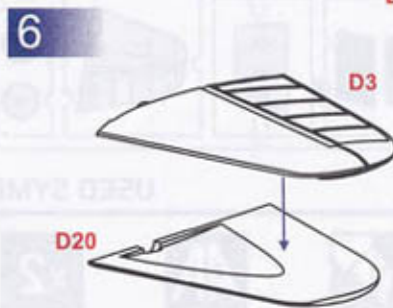
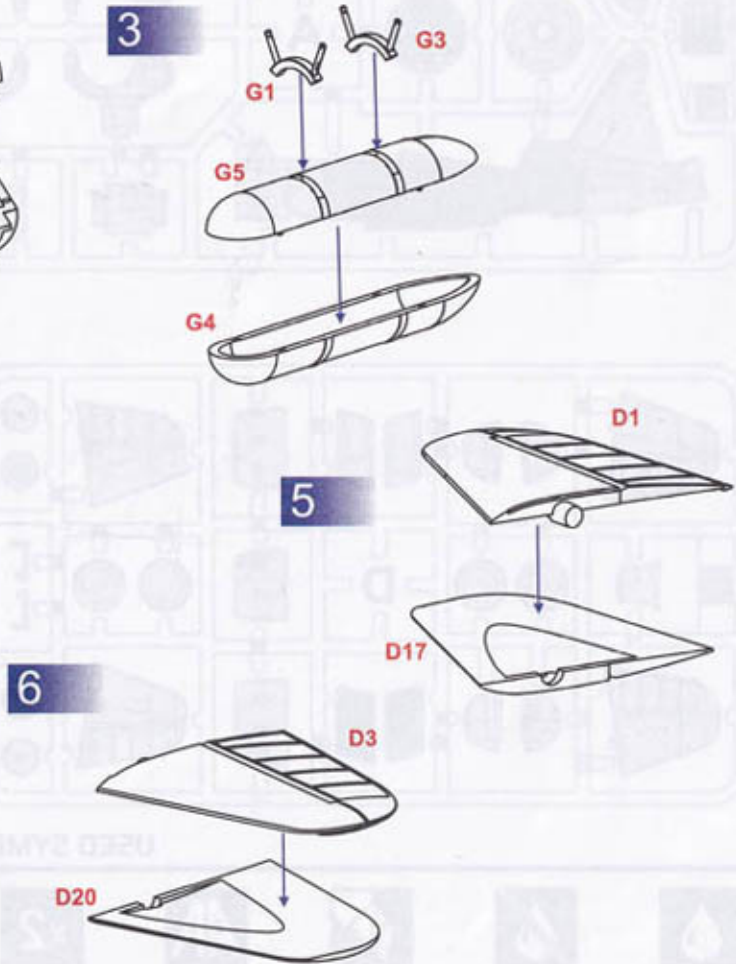
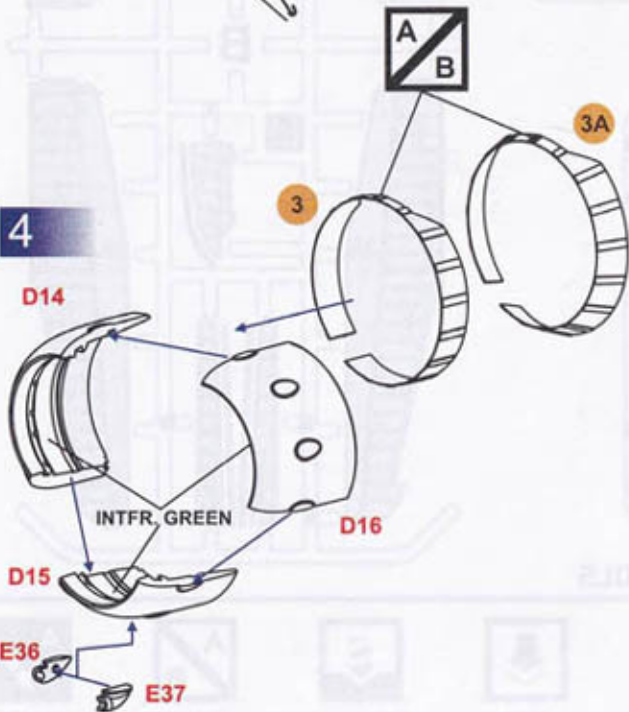
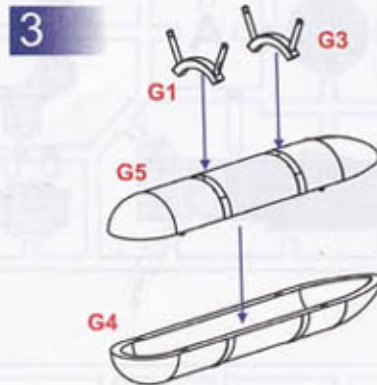
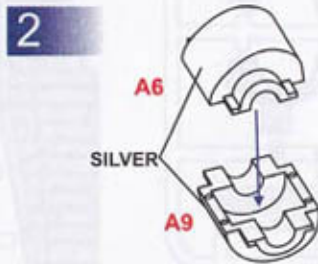
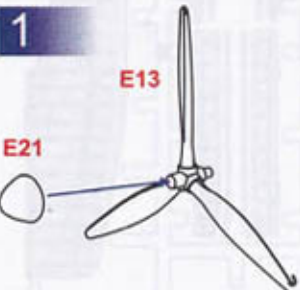
Decal



Mask

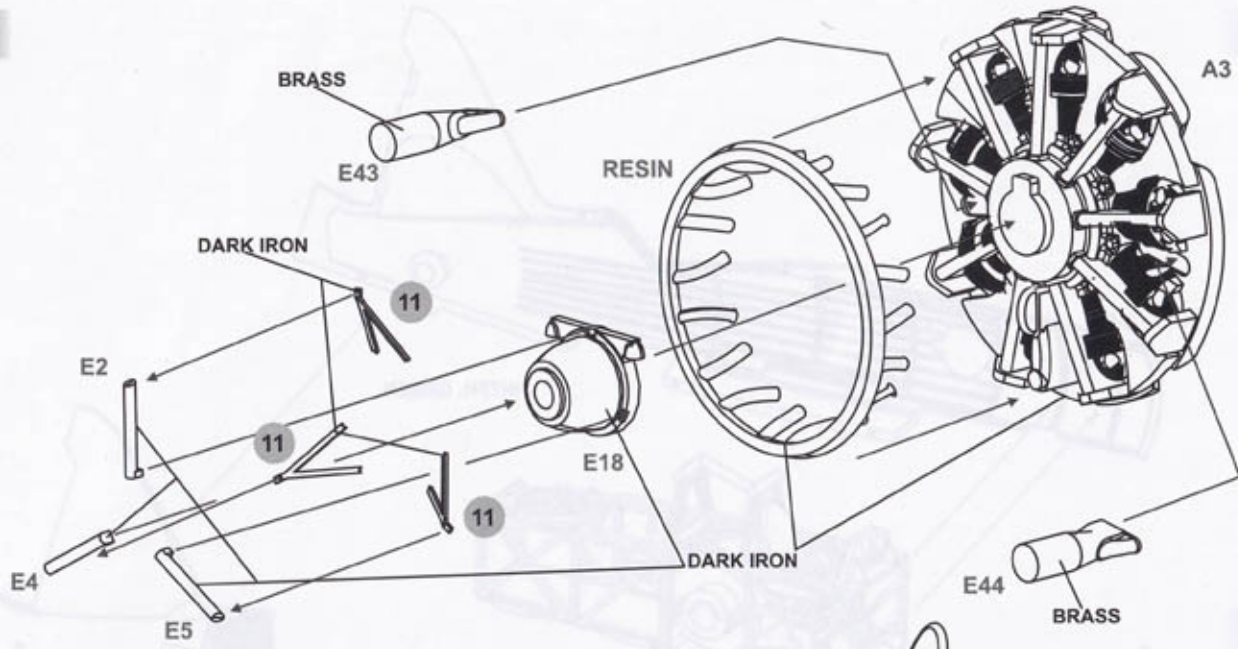


### ASSEMBLY INSTRUCTION

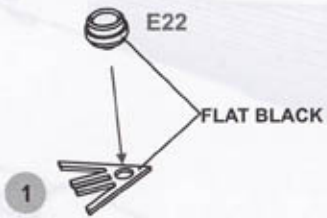




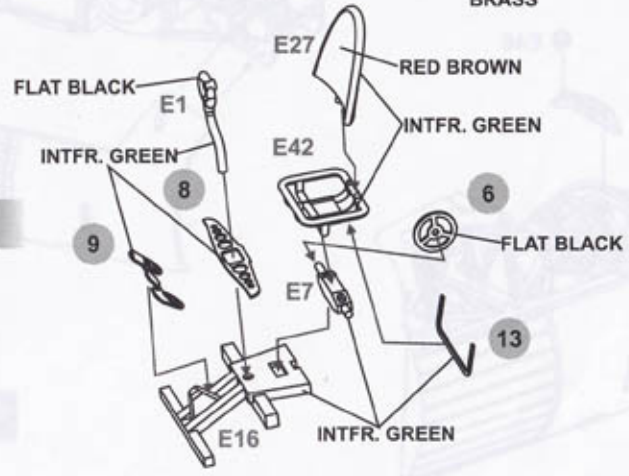
7



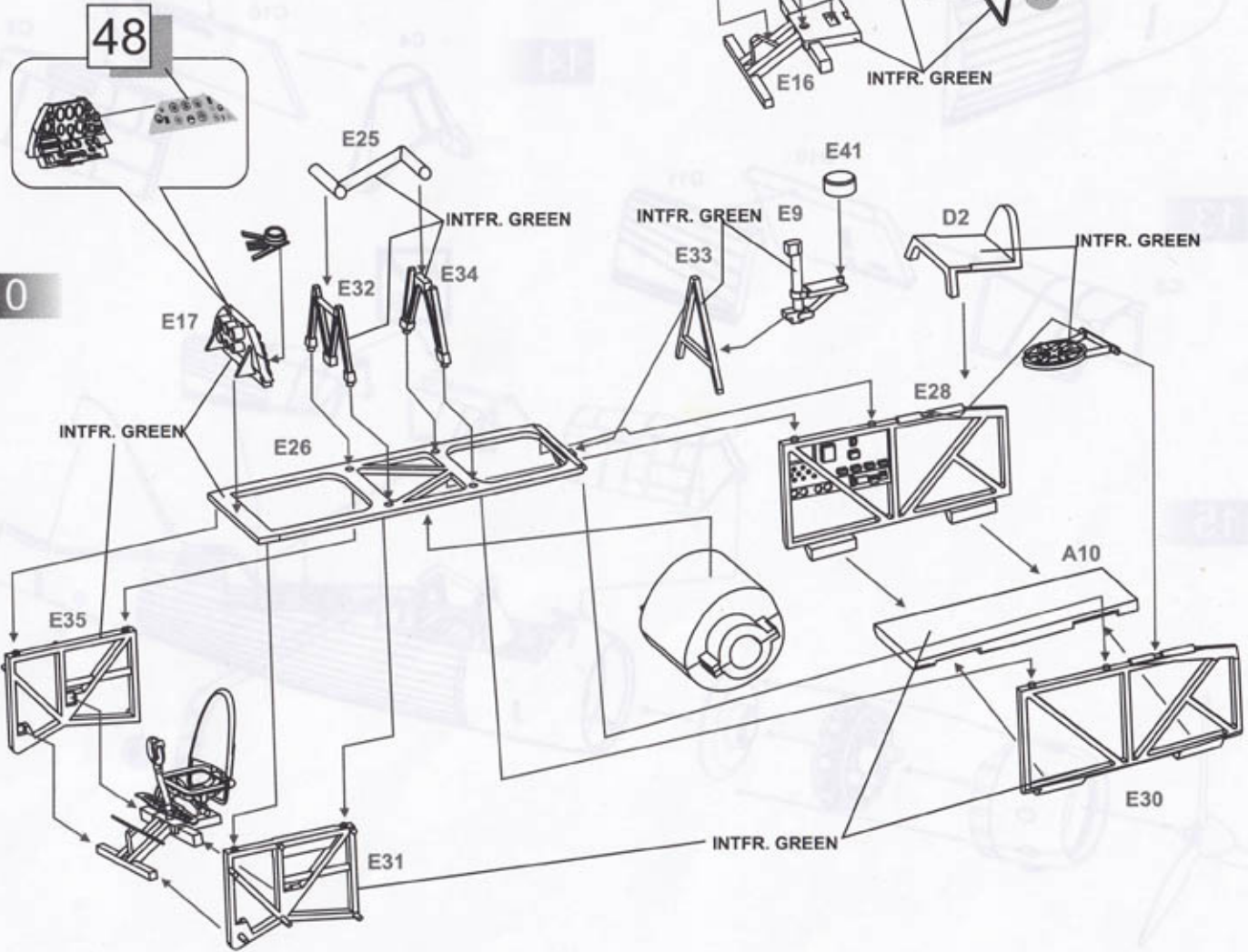
8



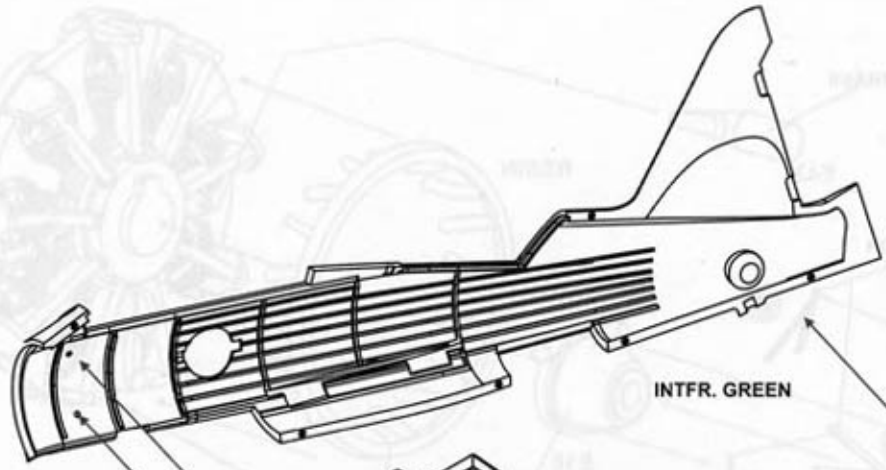
9



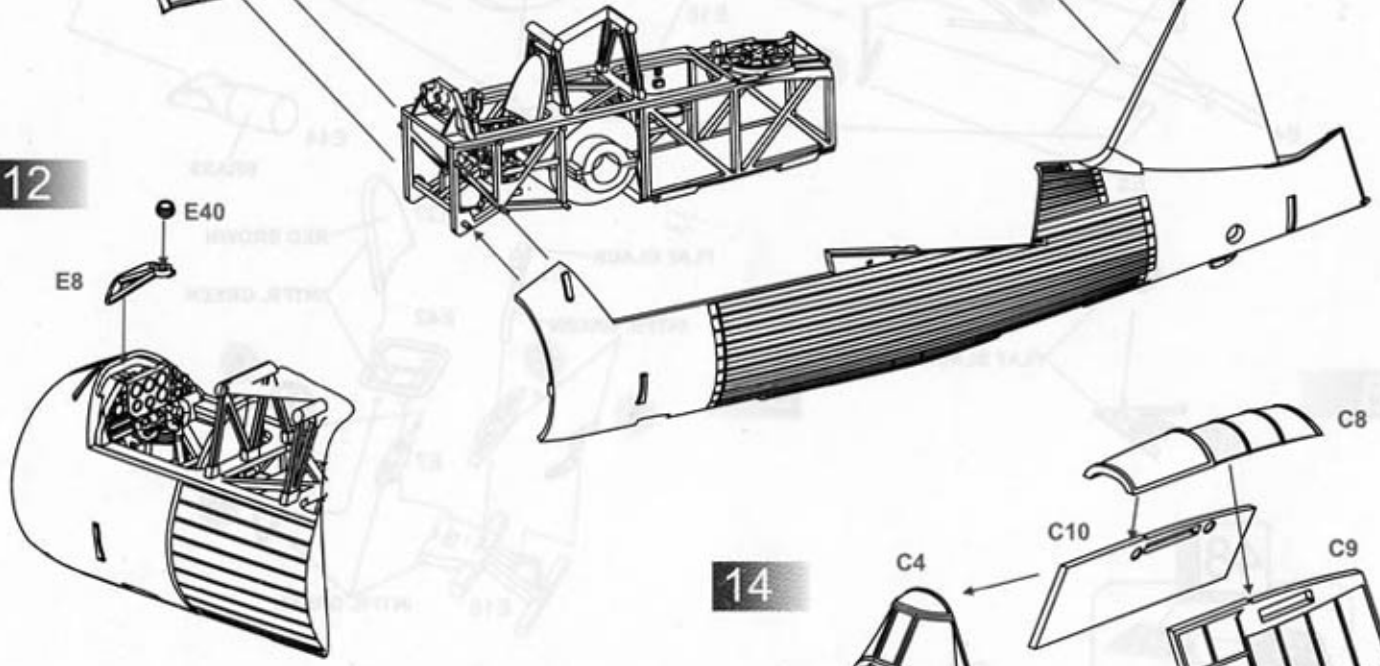
10



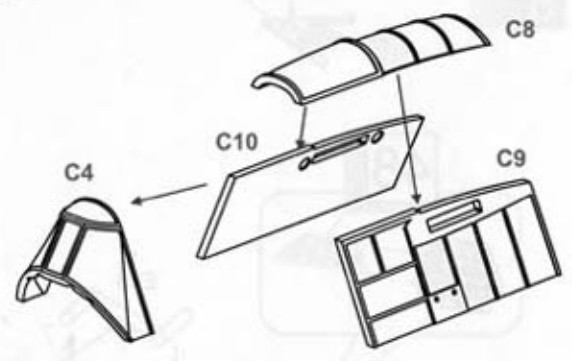
11



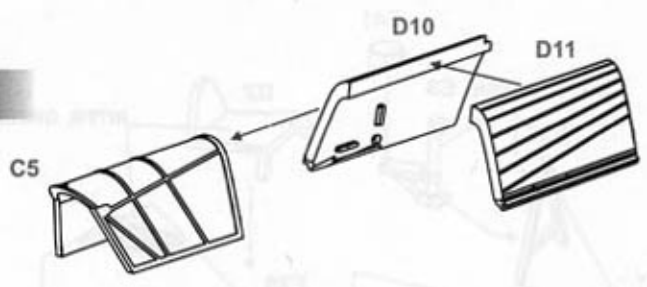
12



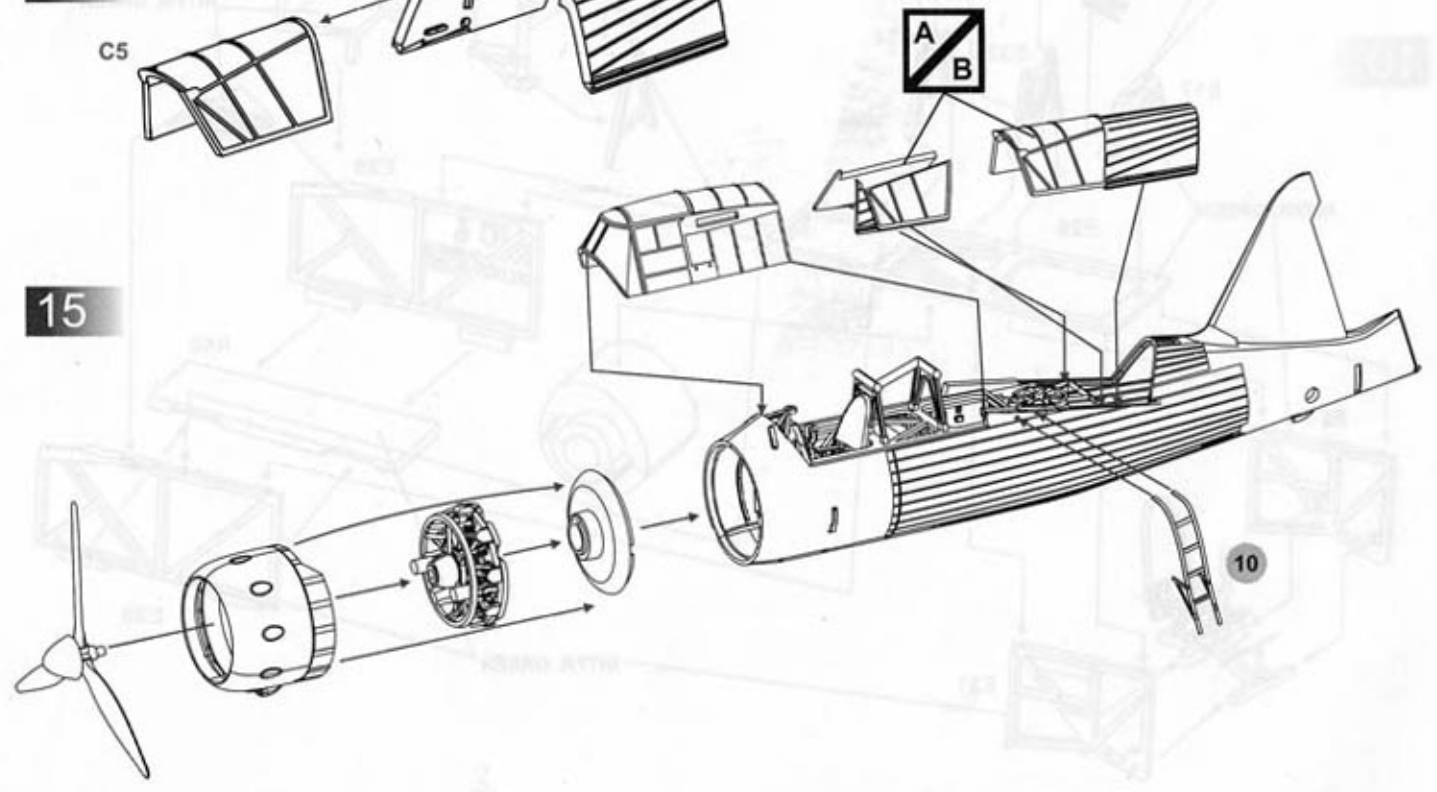
14

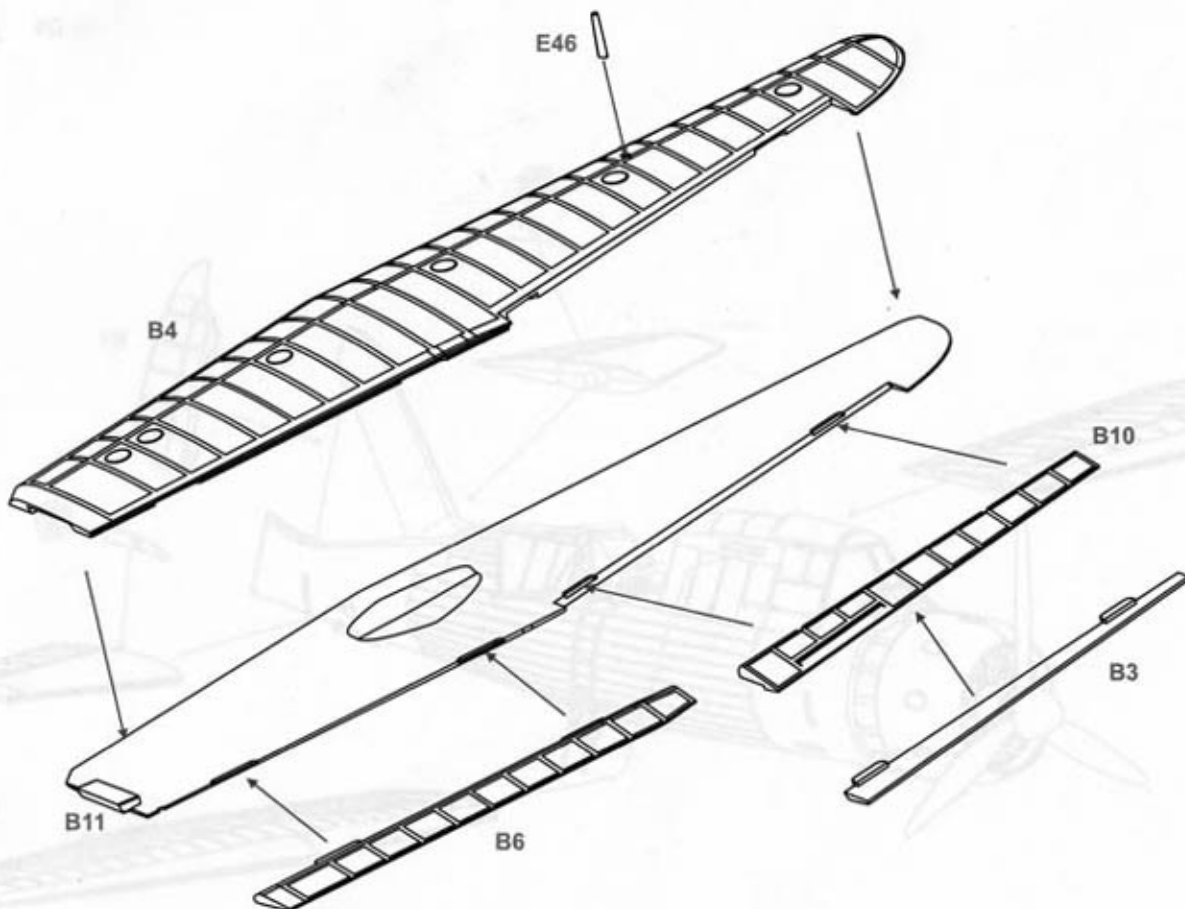
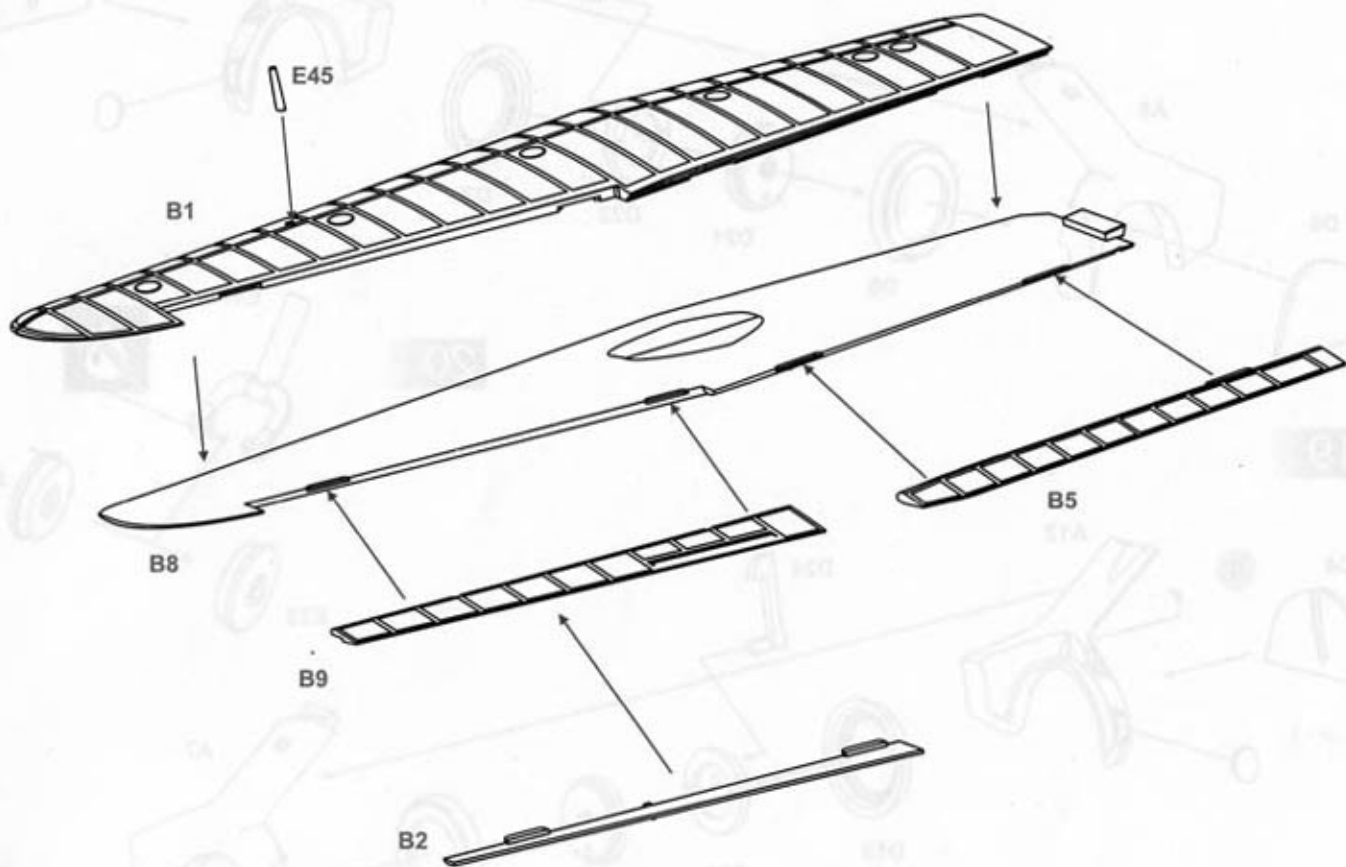


13



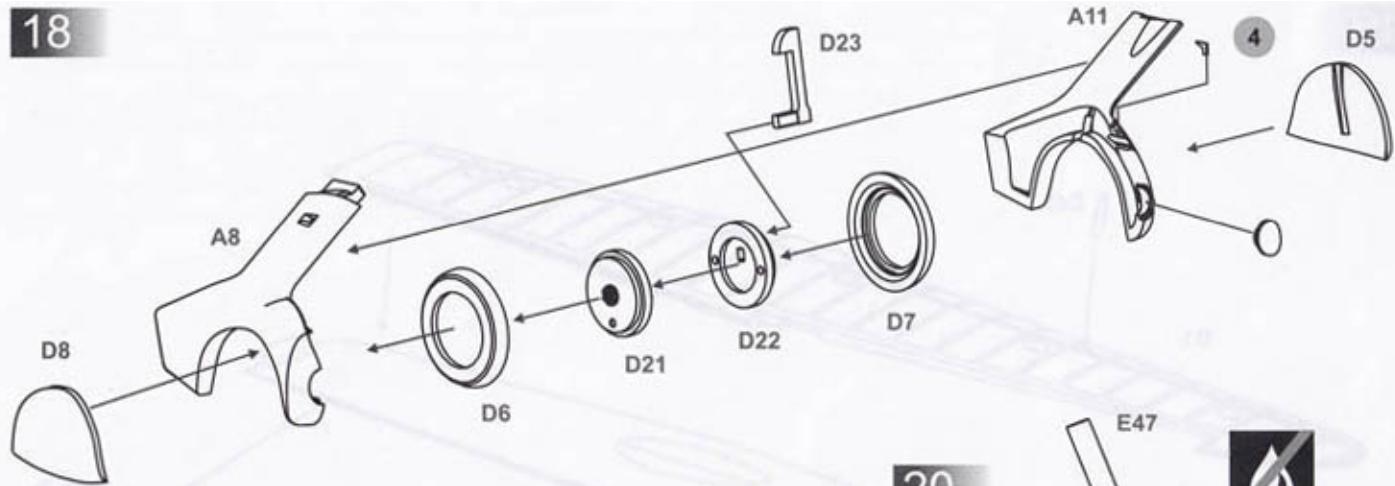
15





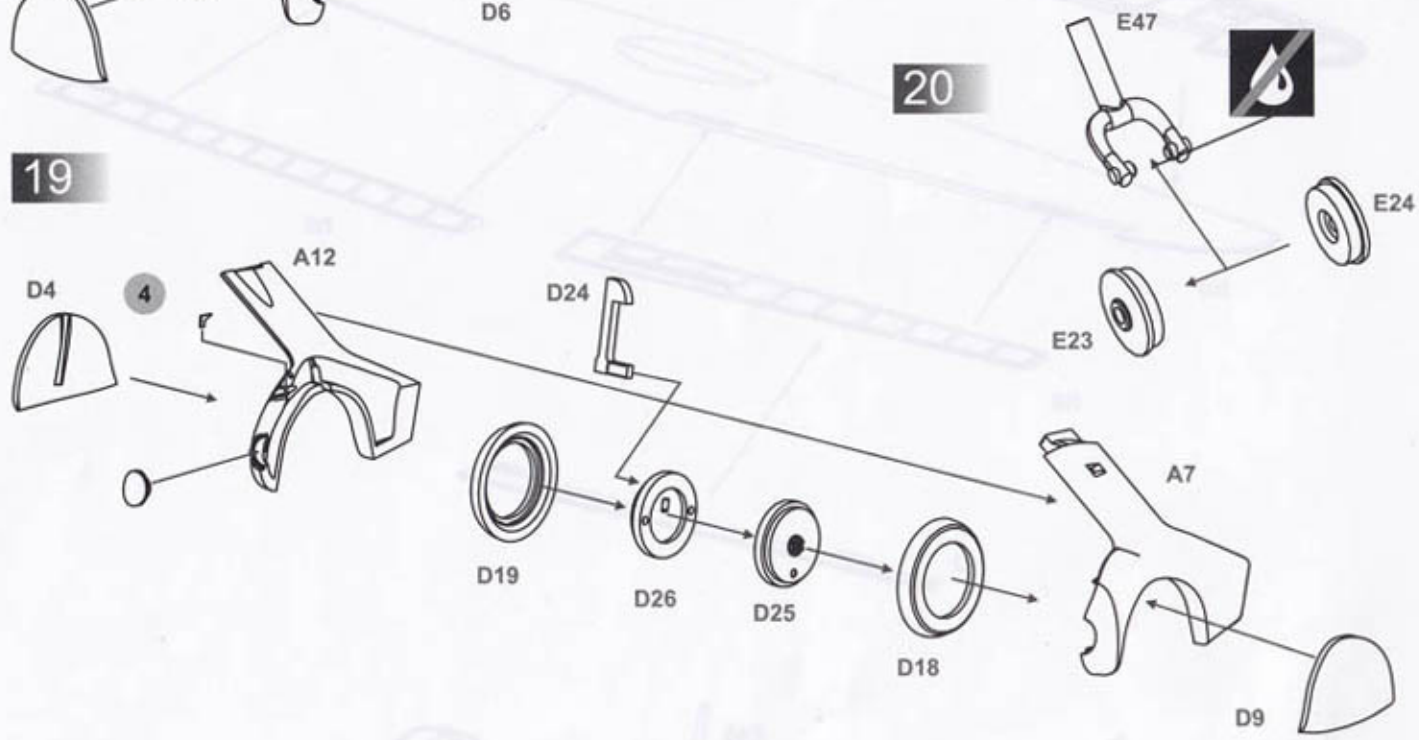


18

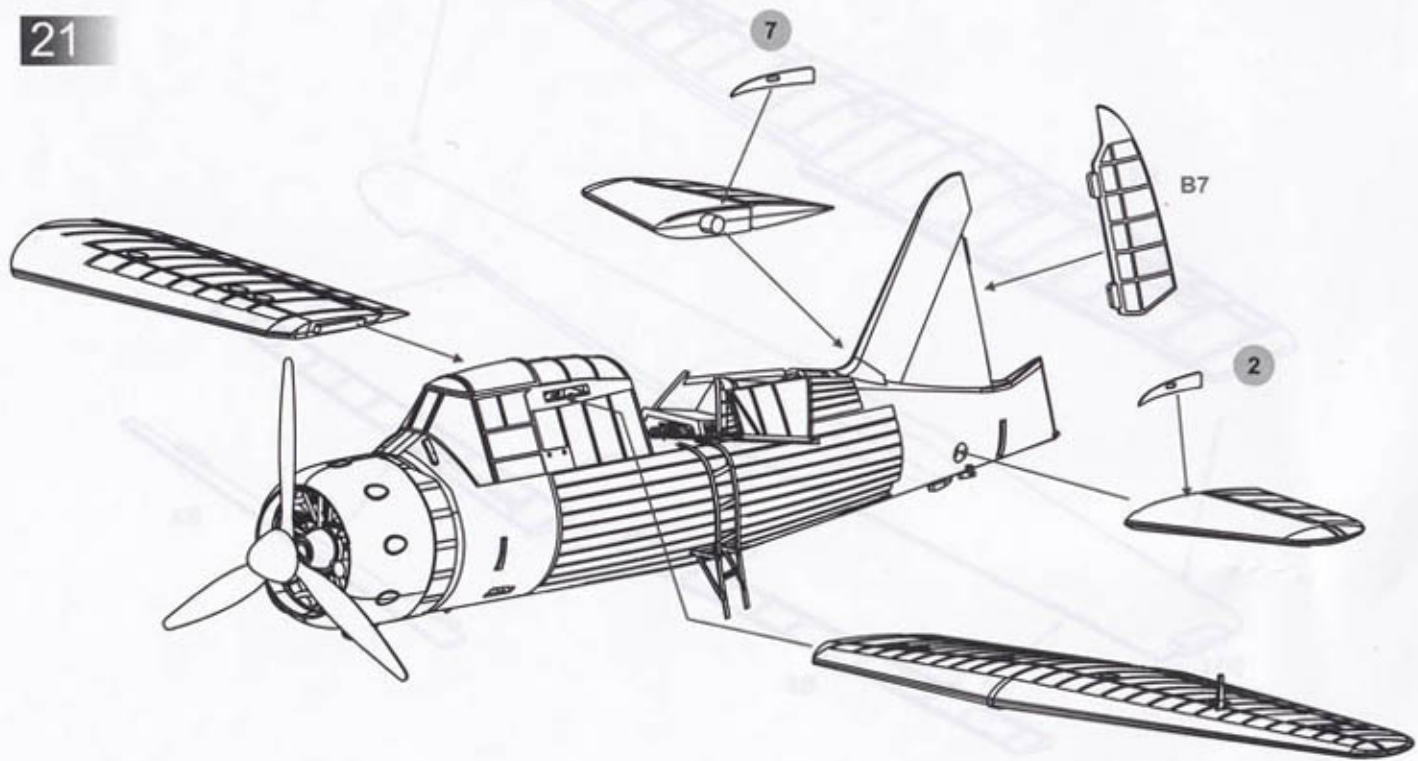


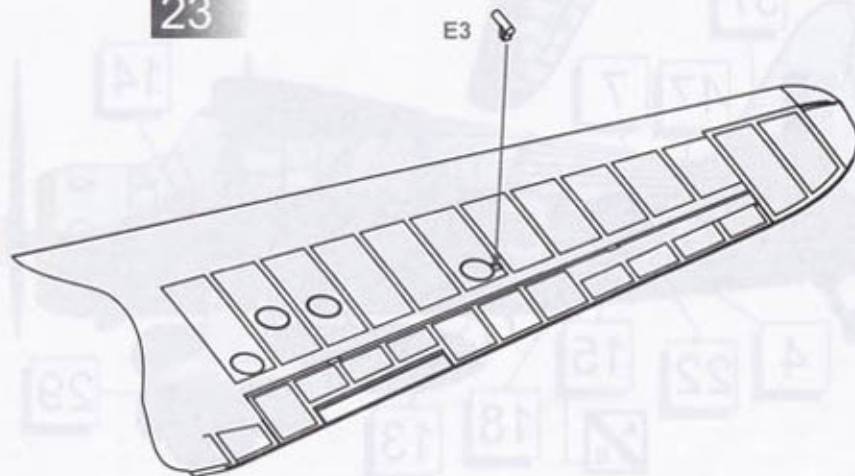
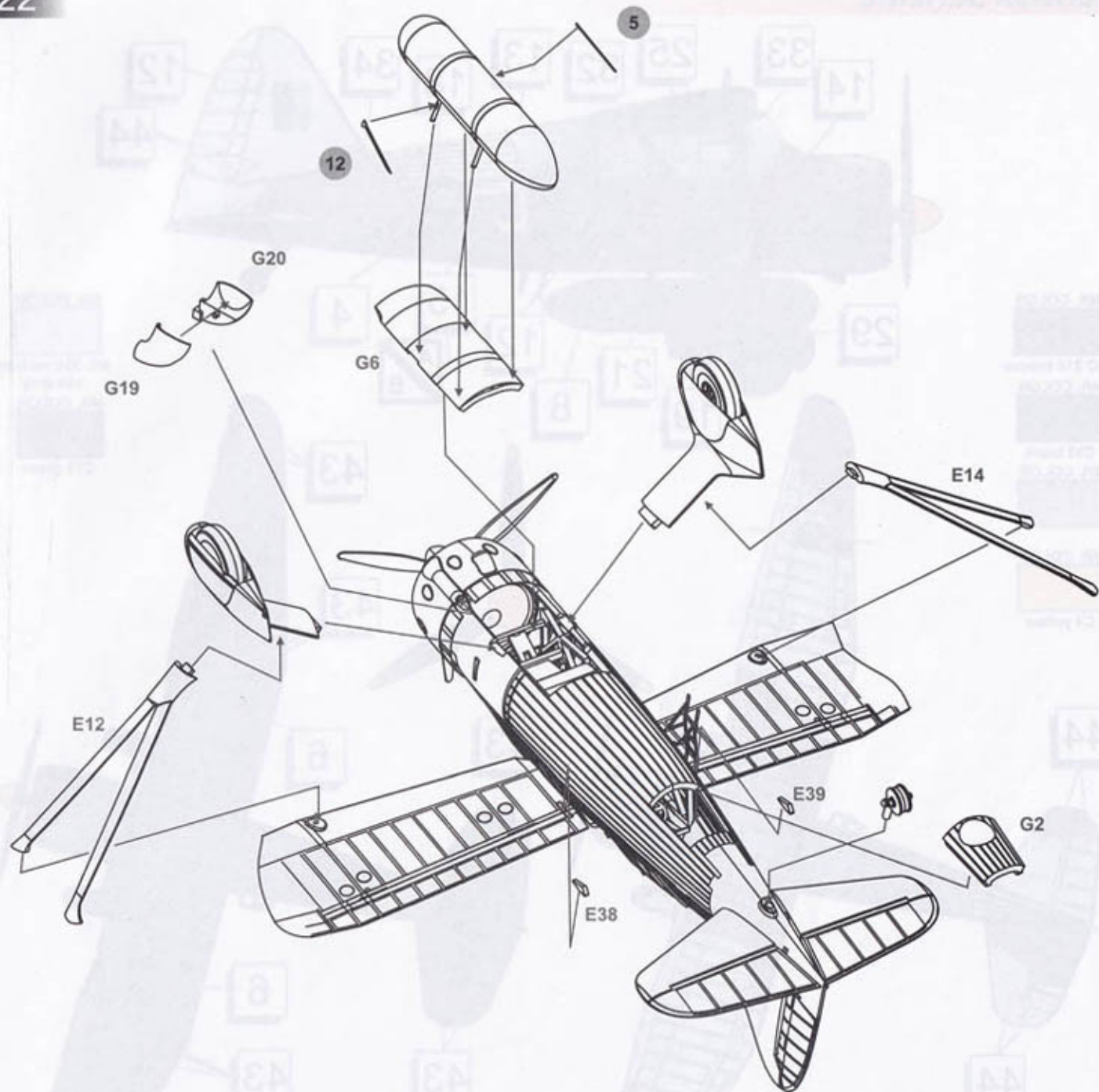
20

19



21



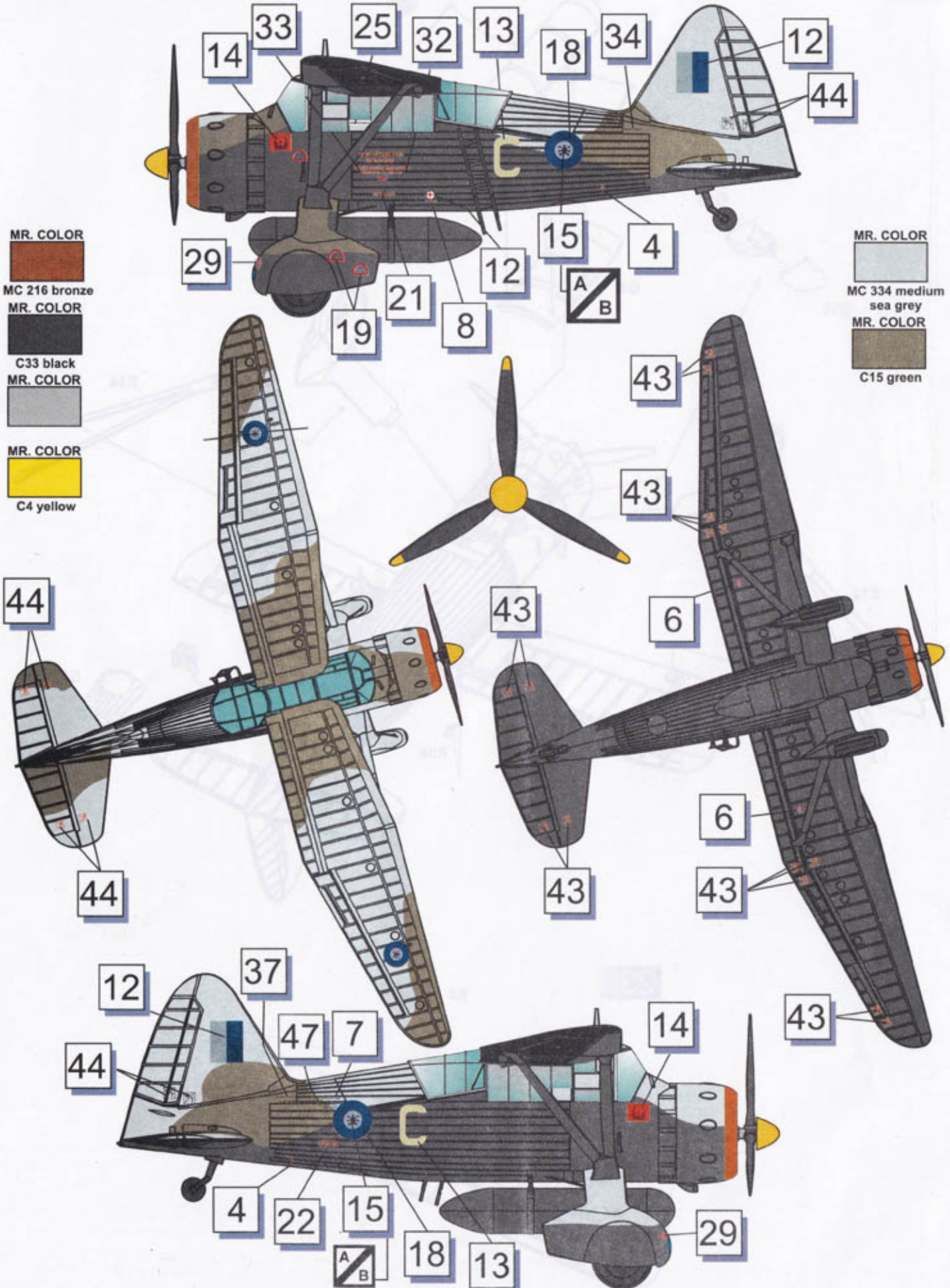




# COLOR SCHEME

- MR. COLOR  
 MC 216 bronze
- MR. COLOR  
 C33 black
- MR. COLOR  
 MC 334 medium sea grey
- MR. COLOR  
 C4 yellow

- MR. COLOR  
 MC 334 medium sea grey
- MR. COLOR  
 C15 green

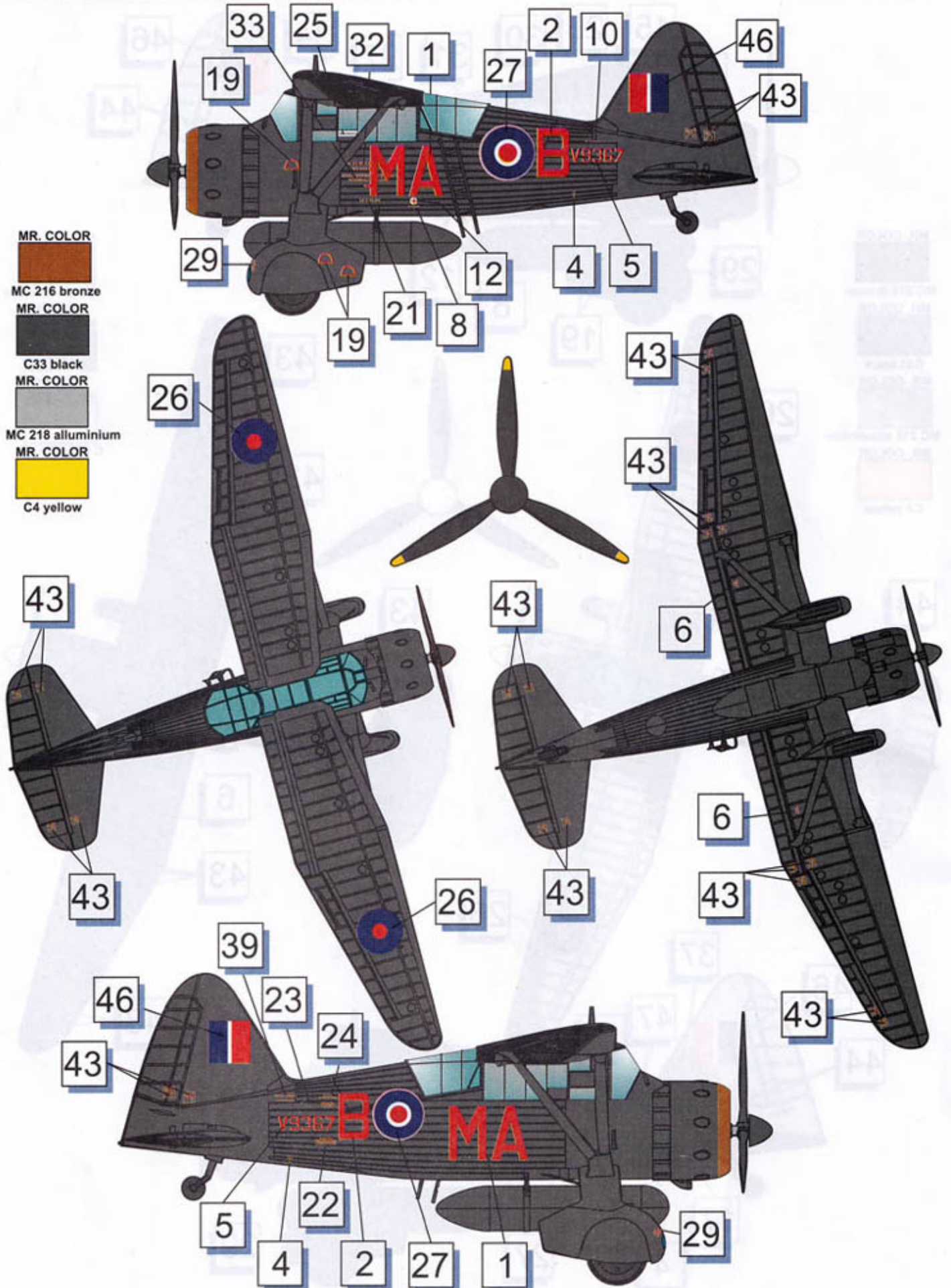


Lysander Mk.III (SD) V9289, No.357 Squadron, Burma, 1945



# COLOR SCHEME

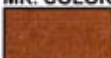
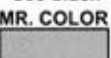
- MR. COLOR  MC 216 bronze
- MR. COLOR  C33 black
- MR. COLOR  MC 218 aluminium
- MR. COLOR  C4 yellow



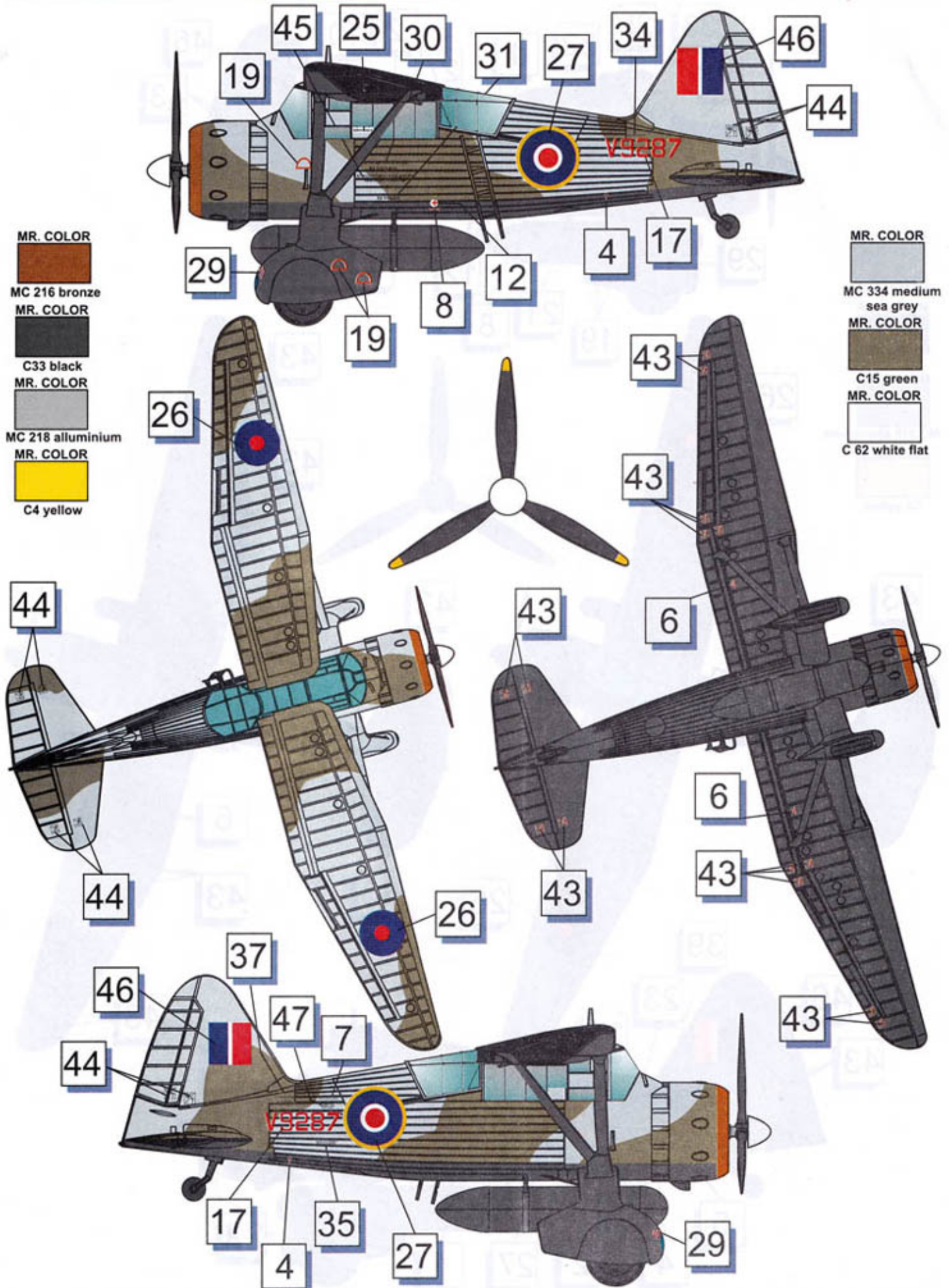
Lysander Mk.III (SD) V9367, No.161(SD) Squadron, Tempsford AB, 1944



# COLOR SCHEME

- MR. COLOR  MC 216 bronze
- MR. COLOR  C33 black
- MR. COLOR  MC 218 aluminium
- MR. COLOR  C4 yellow

- MR. COLOR  MC 334 medium sea grey
- MR. COLOR  C15 green
- MR. COLOR  C 62 white flat



Lysander Mk.III (SD) V9287, No.161(SD) Squadron, Tempsford AB, 1942