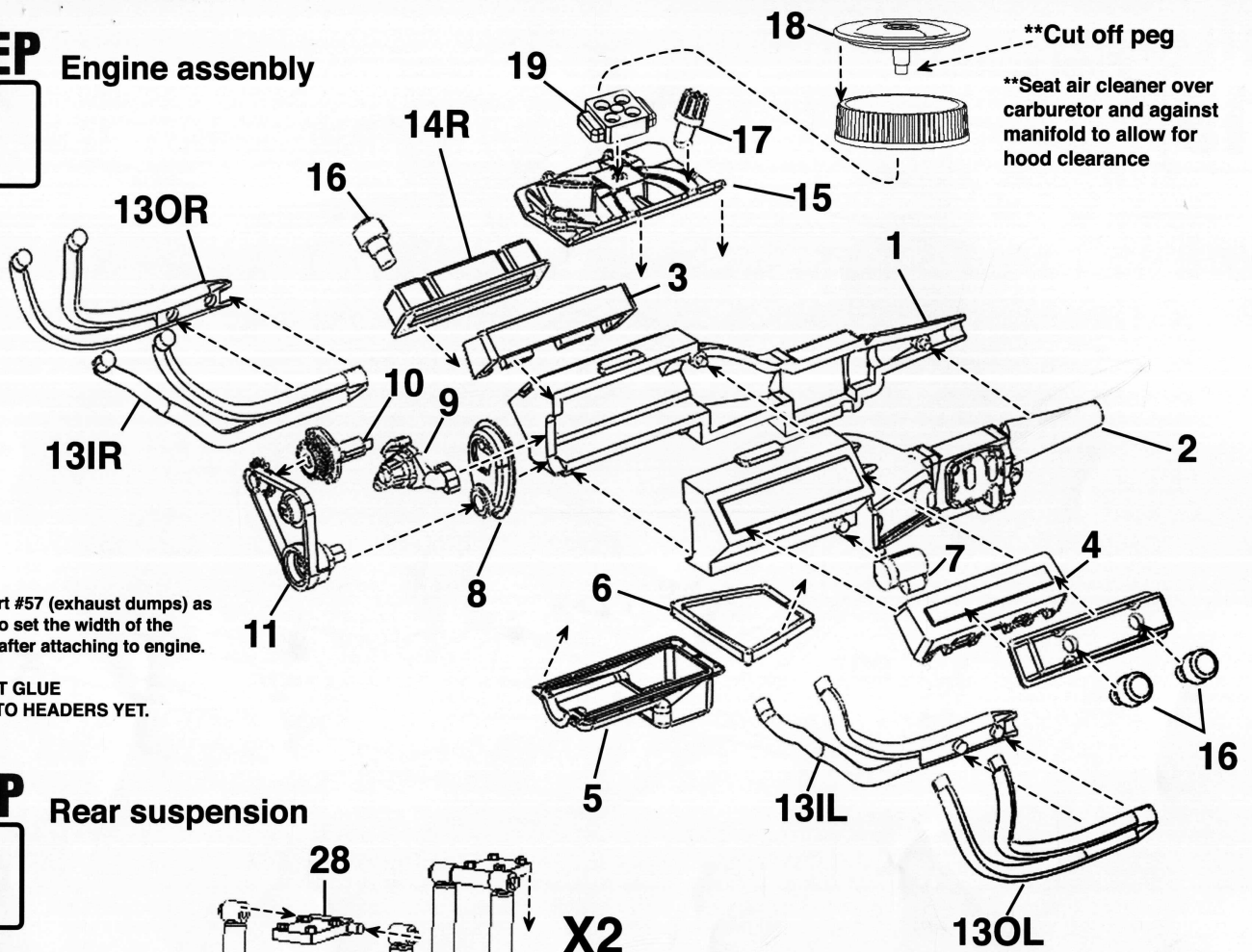


STEP

1

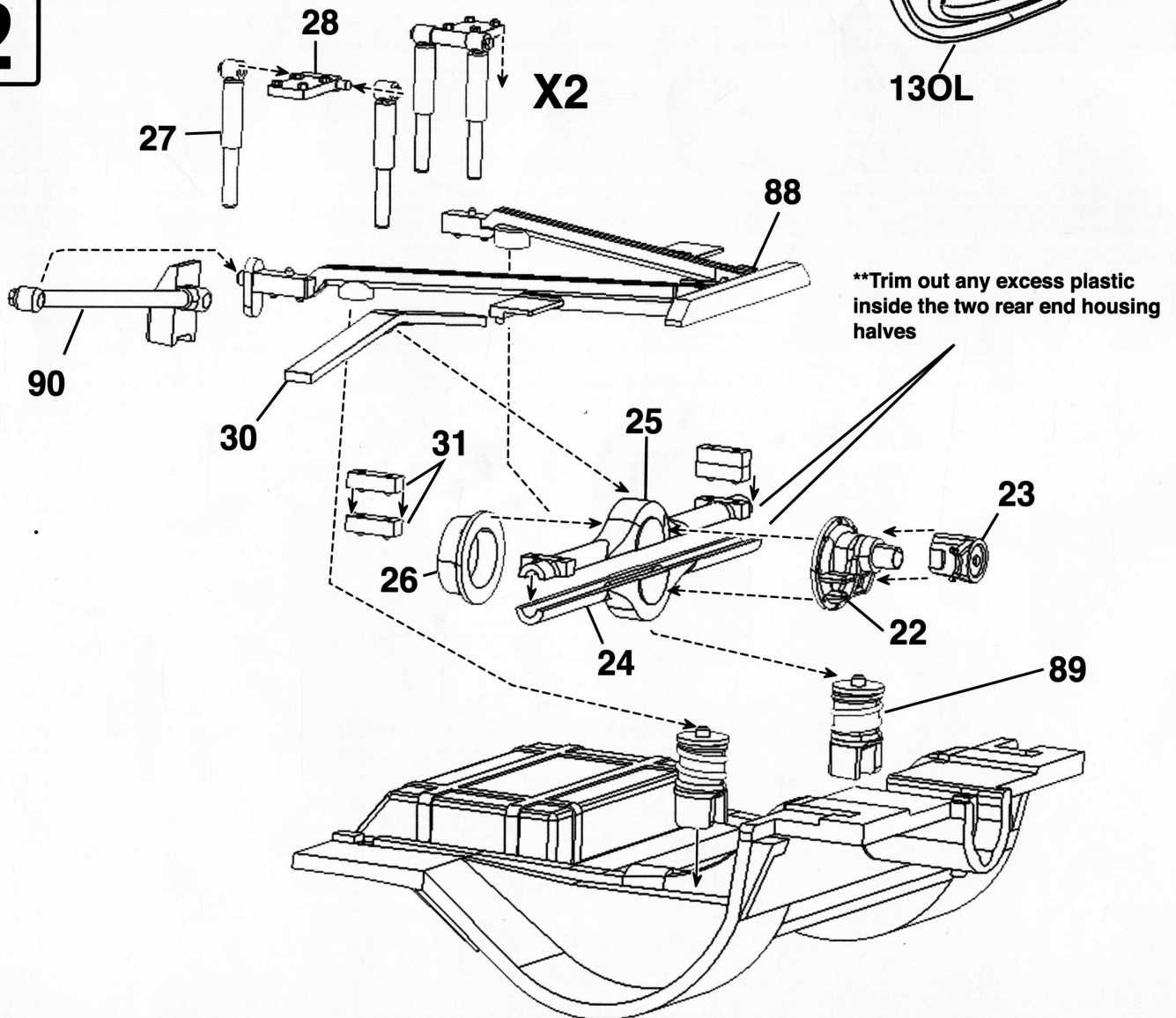
Engine assembly



STEP

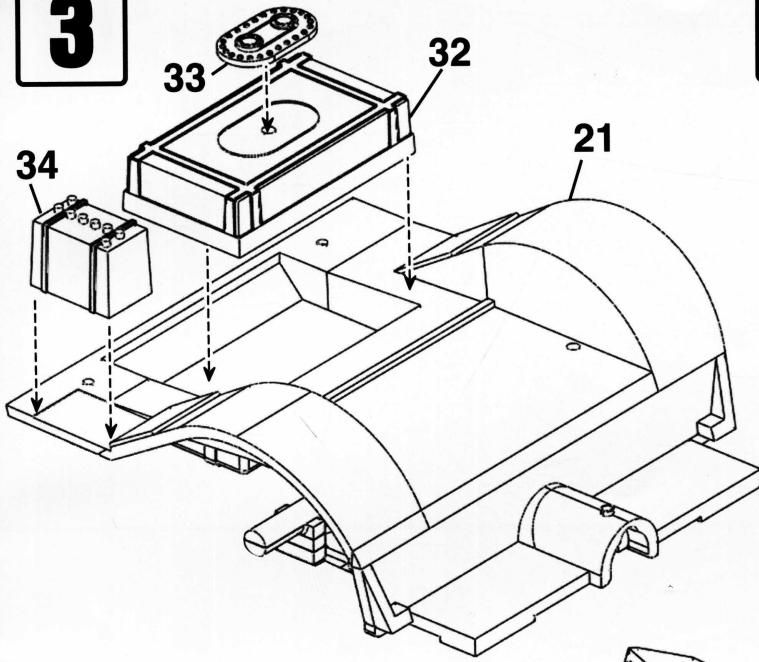
2

Rear suspension



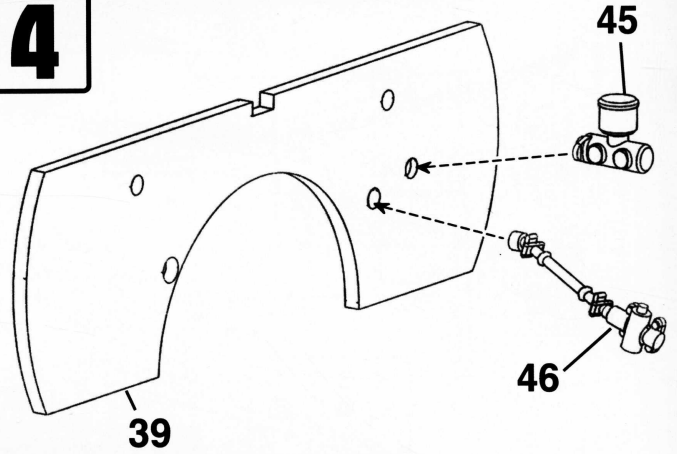
STEP 3 Trunk assembly

3



STEP 4 Firewall details

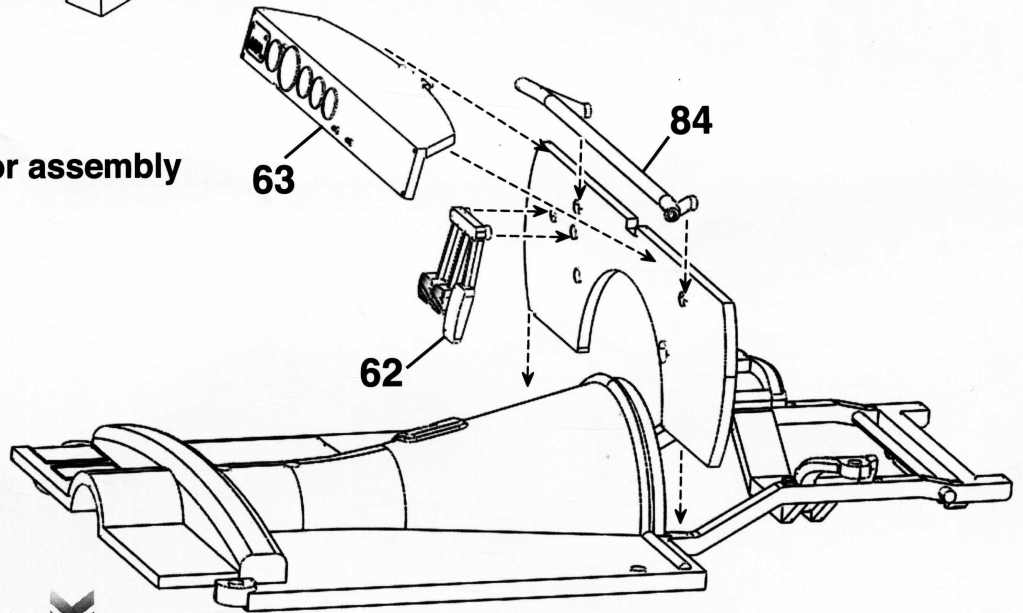
4



Glue part #46 only part way into firewall opening.

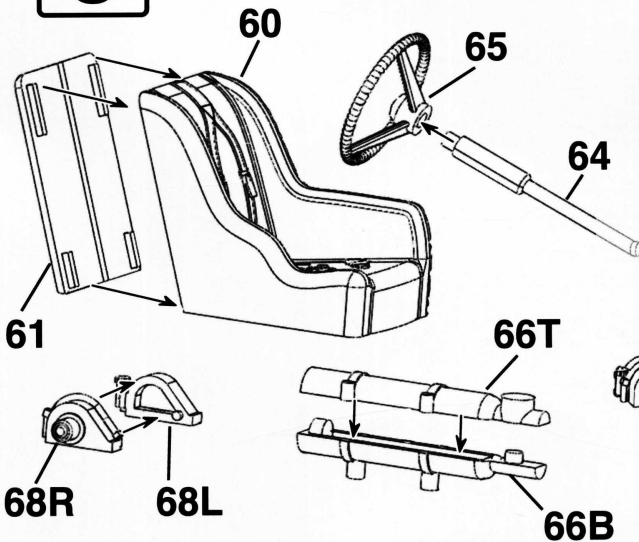
STEP 5 Interior assembly

5



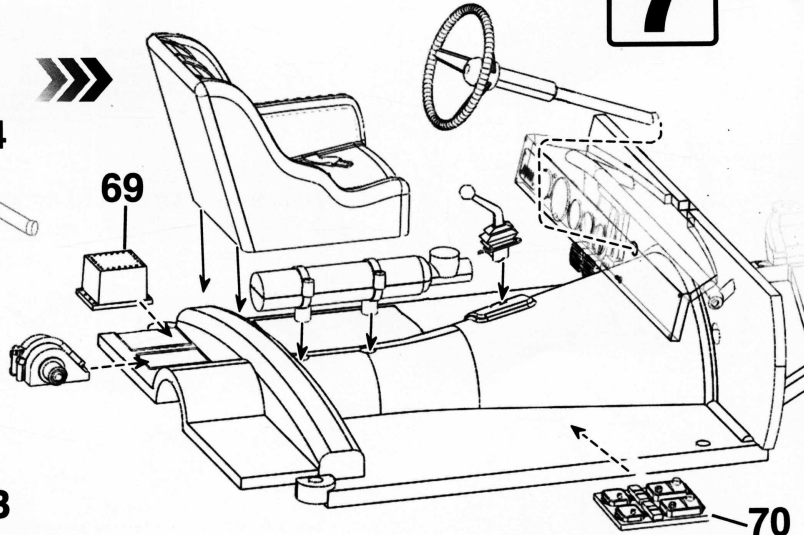
STEP 6

6



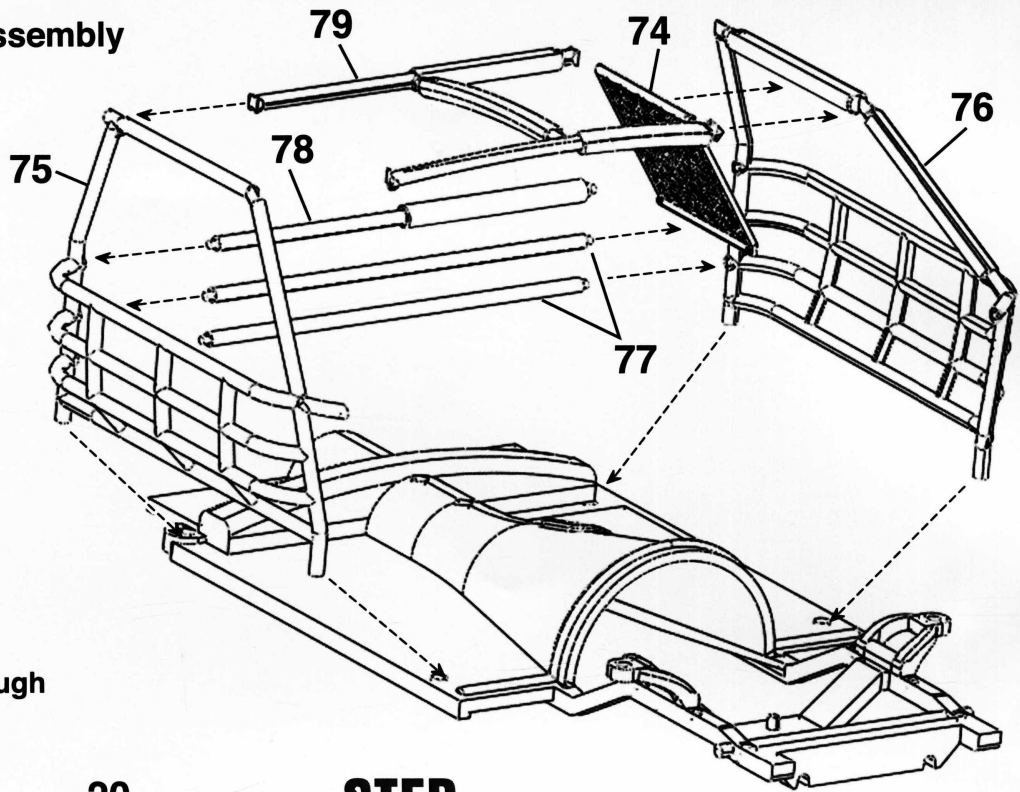
STEP 7

7

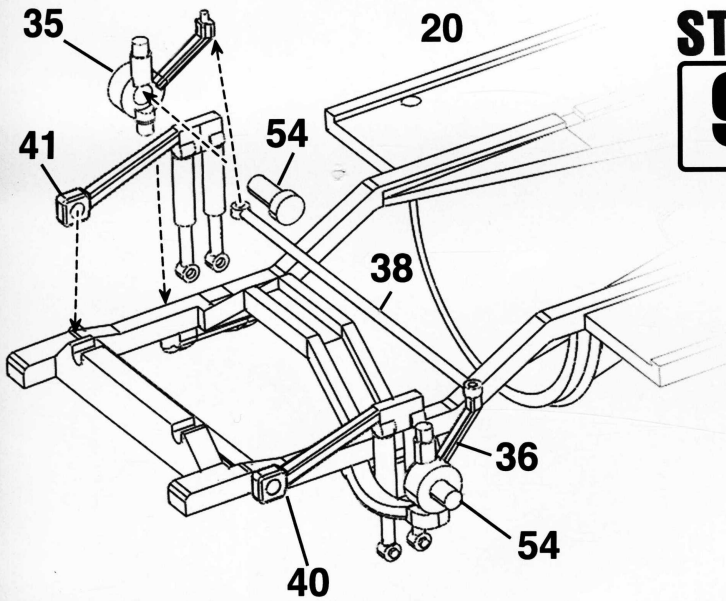


STEP Roll cage assembly

8



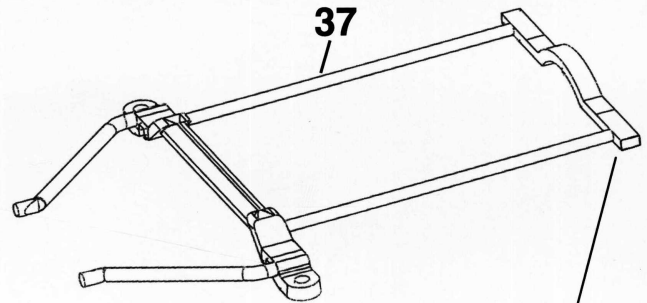
Slide axles (#54) through spindles (#35, #36)



STEP 9

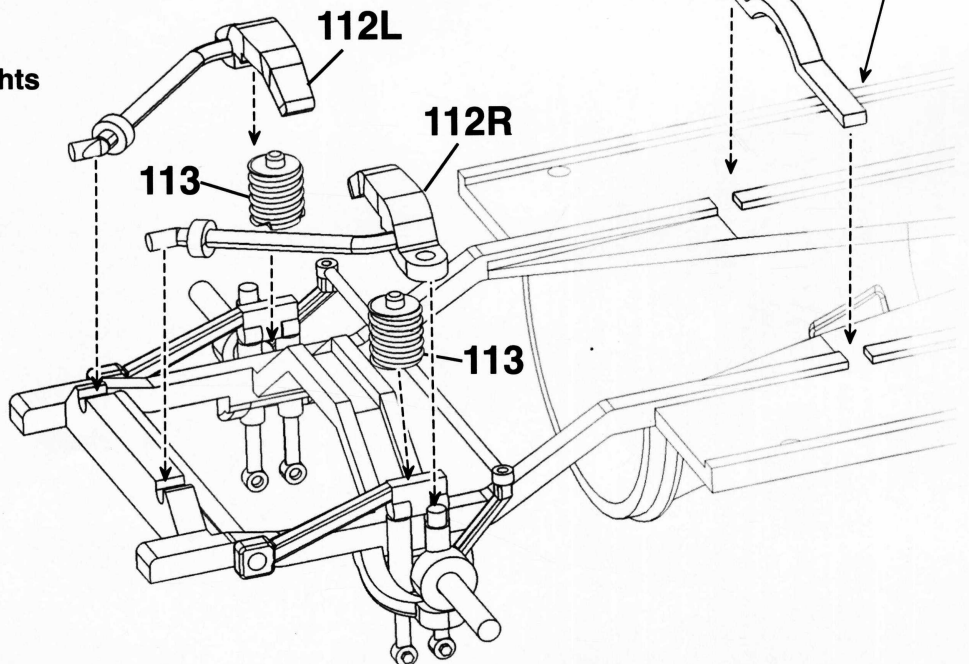
Front suspension

**Remove shaded area of part #37 and discard

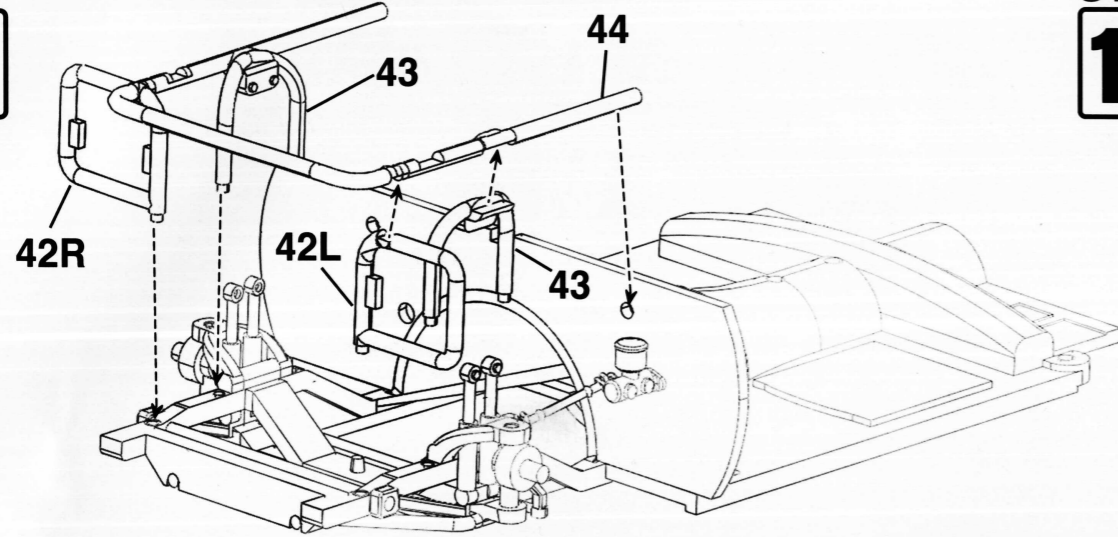


Two sets of spindles are included for various ride heights

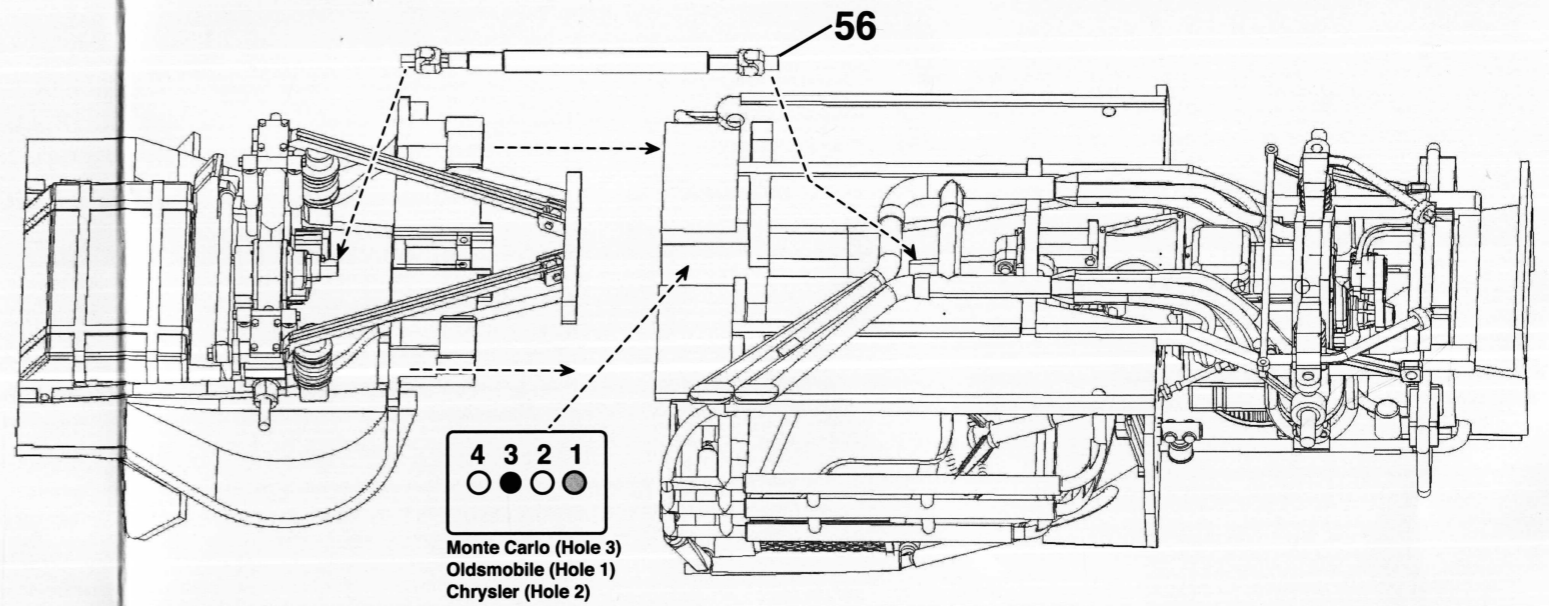
STEP 10



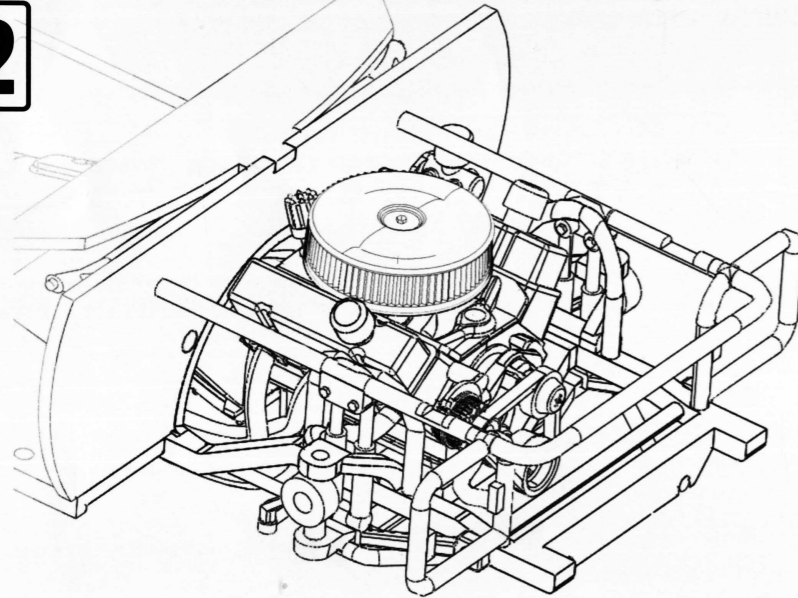
STEP 11 Front engine bar assembly



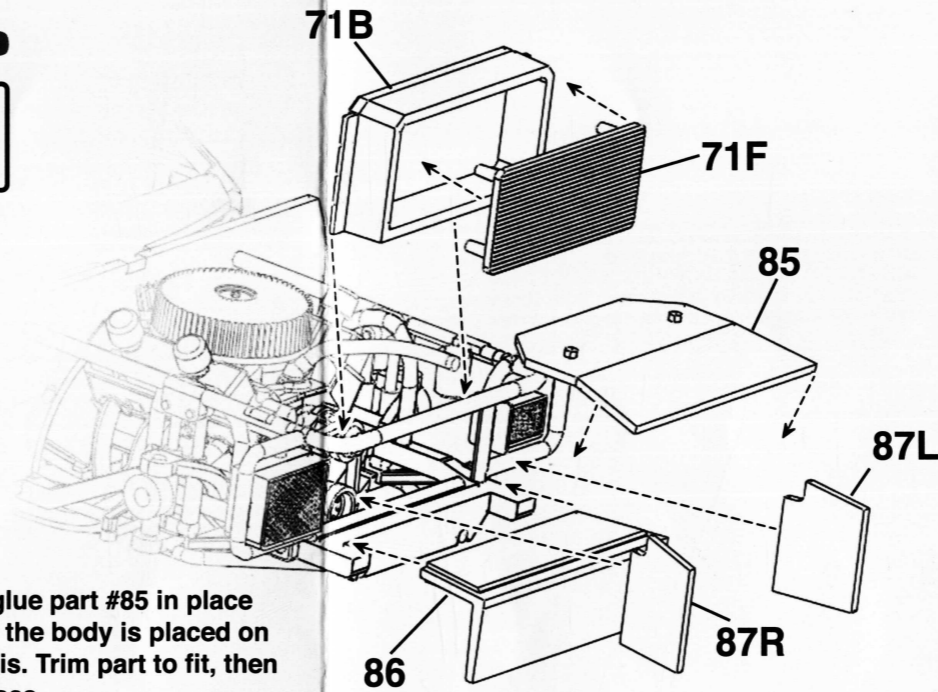
STEP 14



STEP 12 Install completed engine assembly

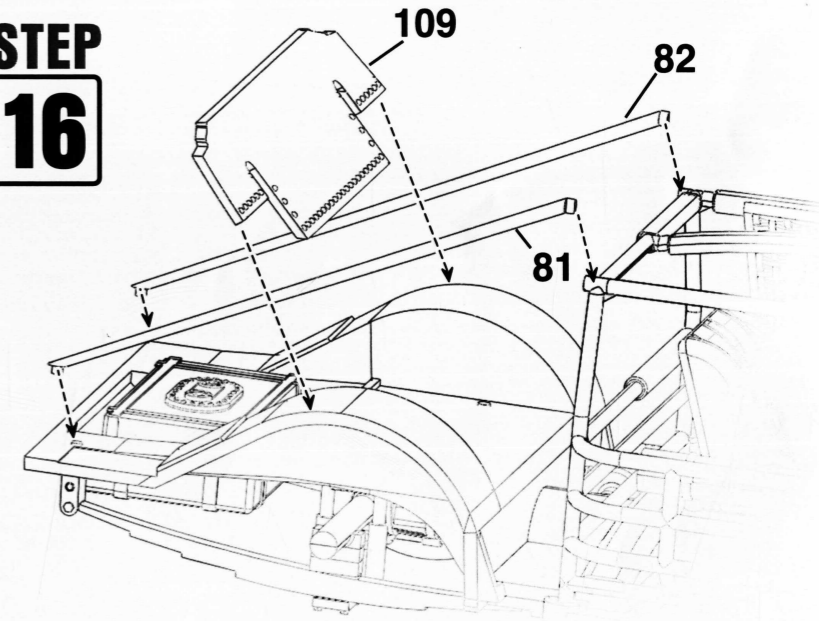


STEP 15

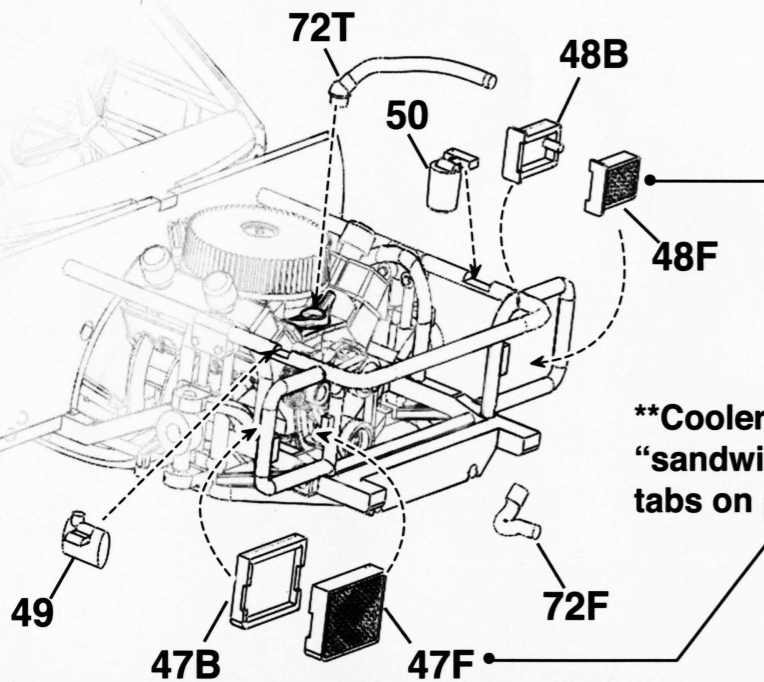


**Do not glue part #85 in place until after the body is placed on the chassis. Trim part to fit, then glue in place.

STEP 16

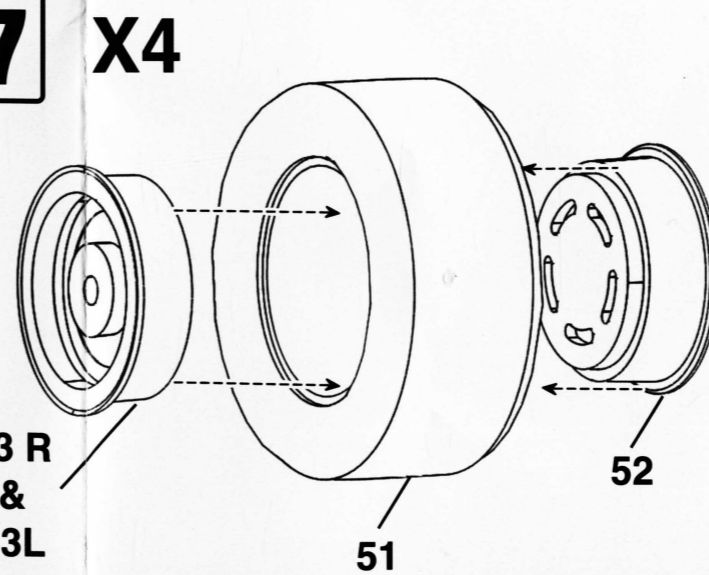


STEP 13

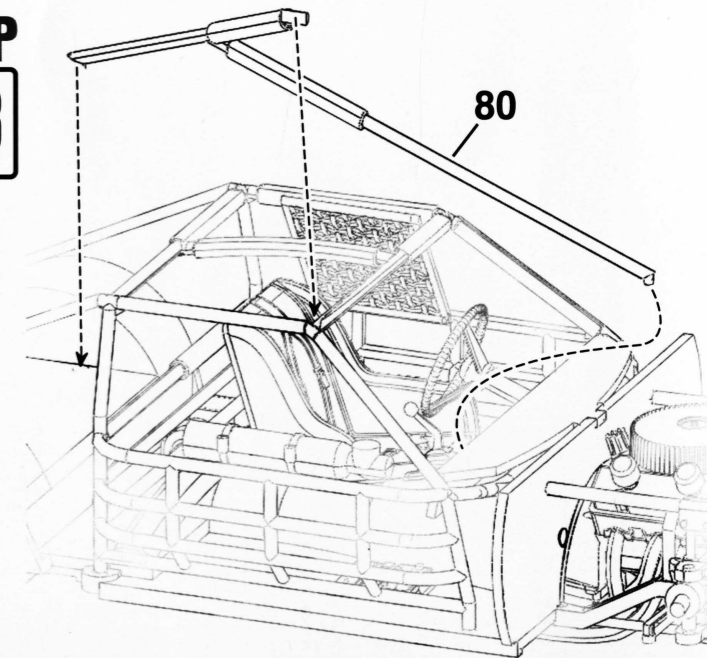


**Cooler parts (47B-F, and 48B-F) "sandwich" around engine bar tabs on parts 42 L and R.

STEP 17

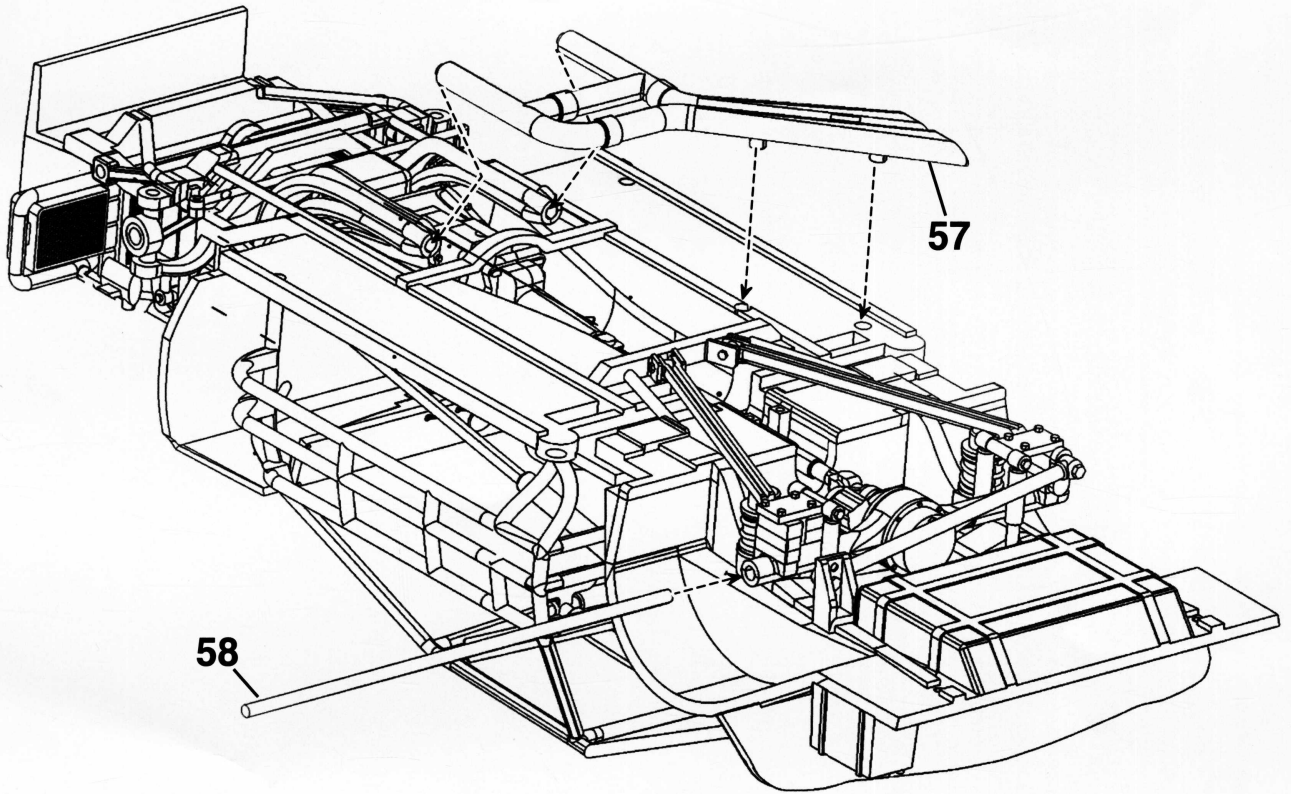


STEP 18

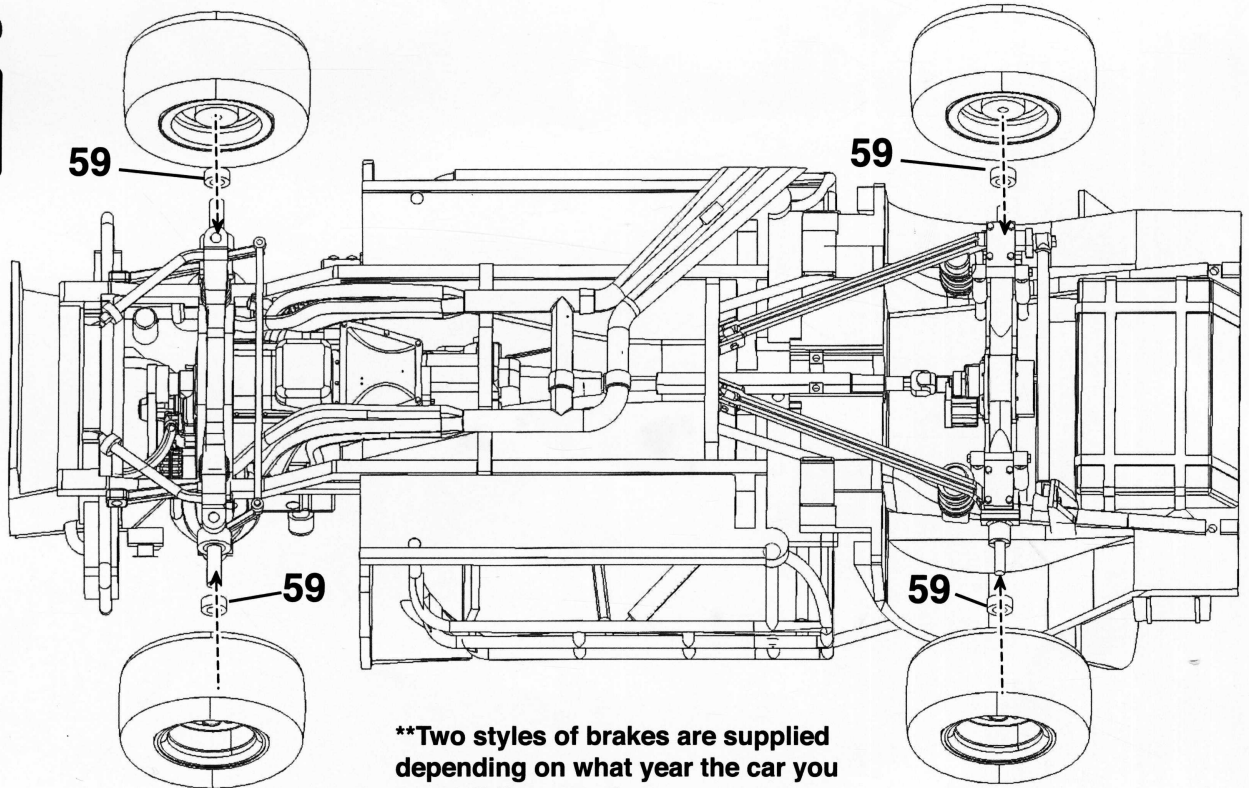


STEP 19

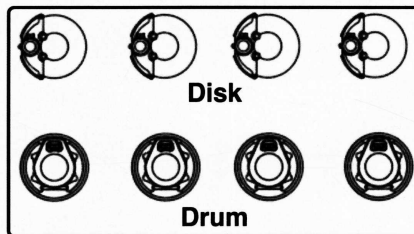
Final assembly



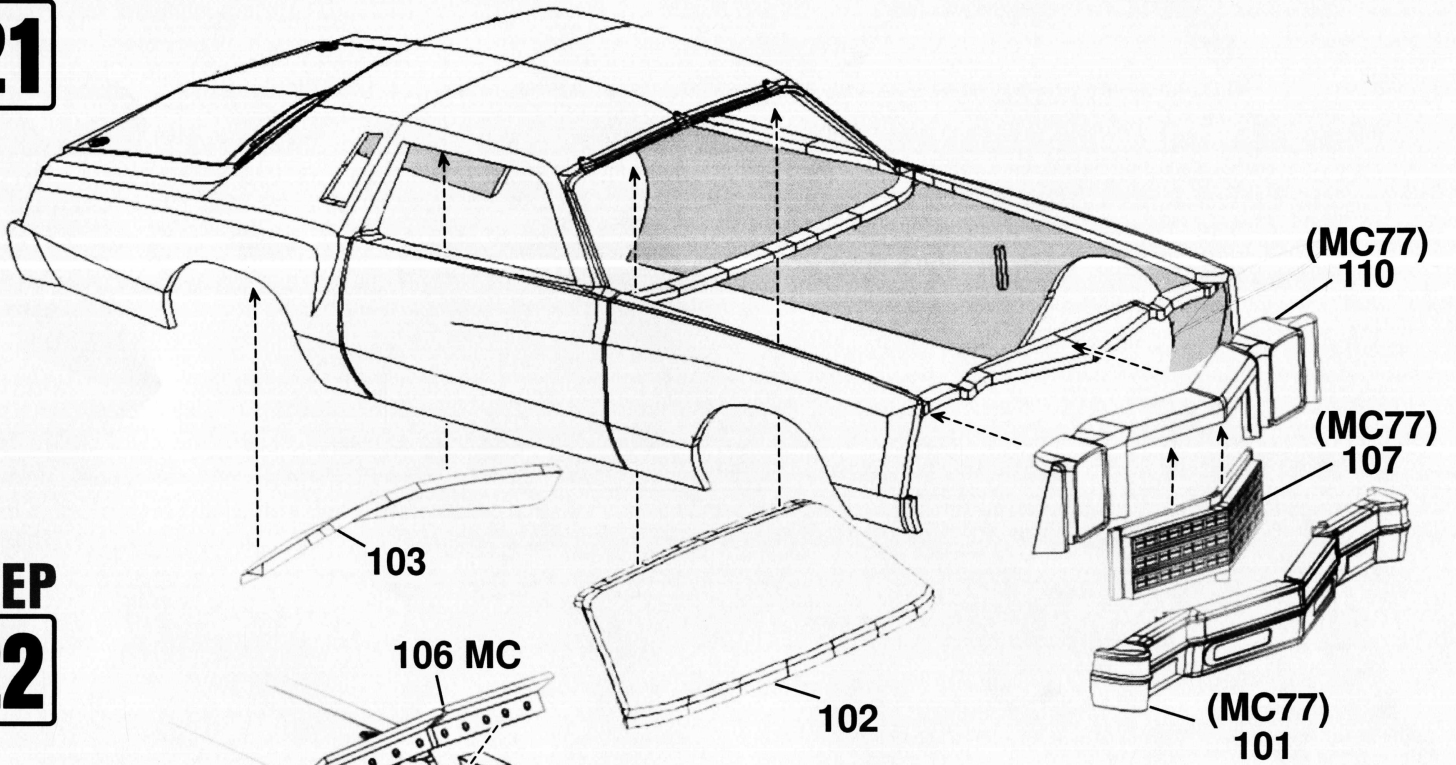
STEP 20



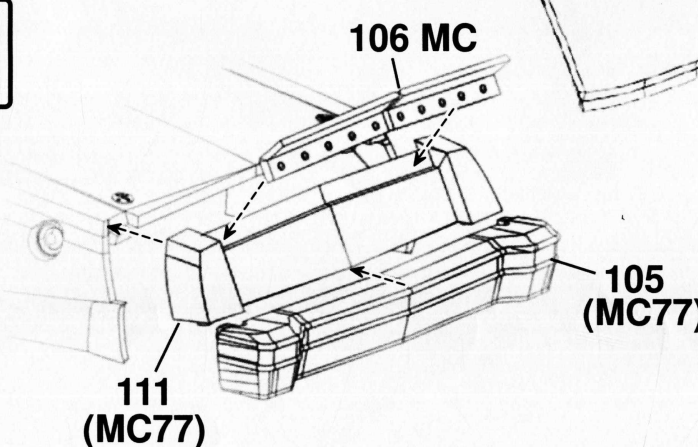
****Two styles of brakes are supplied depending on what year the car you are building raced**



STEP
21



STEP
22



STEP
23

