

F-14A Tomcat

F-14A トムキャット

美国F-14A“雄猫”战斗机

PLEASE READ BEFORE OPERATION!

- * Tools recommended as below: (Not included)
Adhesives; Paints; Side Cutters; Sharp Edged Pliers; Modeling Knife; Modeling File; Nippers; Drill; Scissors; Sand Paper; Soft Cloth; Cyanoacrylate Glue.
- * Make sure to read this instruction listed below before assembling.
- * The kit contains the small parts, they can be dangerous if swallowed by mistake, so keep them away from reach of children.
- * Cut the all parts off carefully and remove the waste parts into the garbage can.
- * More caution and care should be needed for cutting and handling the photo etched parts.
- * Make attention that some parts should be attached the decal when assembled.
- * During assembling, please tear up and throw away the plastic bags, or may cause the dangerous if wearing over head by children's mistake.
- * When using the adhesives and paints, please do not use them in the closed room or near the fire, also must be very careful to protect your eyes, face and clothes.
- * Adult supervised when assembled by children under 14 years old.

装配前请仔细阅读:

- * 推荐使用的模型工具(请自备):
专用模型胶水, 专用模型油漆, 水口剪刀, 长咀钳, 刀片, 锉刀, 镊子钳, 钻, 剪刀, 软布, 砂纸, 瞬间快干胶等。
- * 用水口剪刀或刀片小心切下所有塑胶零件和蚀刻片零件, 不要遗失小零件。
- * 切取蚀刻片时应特别注意防止利边划伤手指。
- * 用模型锉刀小心锉平所有零件表面的注射浇口。
- * 用适量的强力快干胶水粘合蚀刻片零件和金属轴, 切忌过量, 否则可能导致可动零件被粘住。
- * 注意某些零件表面需在装配时同步贴上水贴纸。
- * 制作时应远离幼儿并将包装袋及时收妥, 谨防小孩玩耍而引起意外。



cyanoacrylate glue
强力胶



weight
配重



make hole
钻孔



cut / remove
切除



option
选择



no cement
不涂胶水



decal
贴纸



bend
弯曲



repair
填补

The method to apply the decals

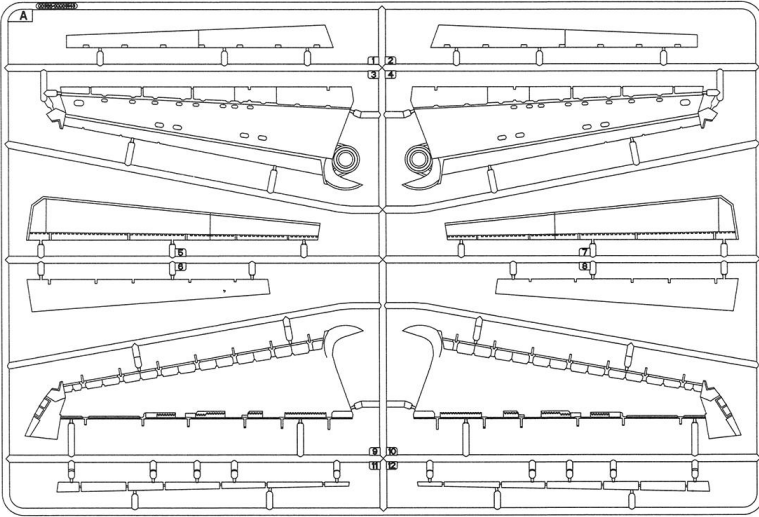
1. Cut off the decal from the decal paper and put it into the warm water 40°C for 10 seconds.
2. Take the decal from the water and put it on a piece of clean cloth.
3. Remove the decal slowly from the paper to the targeted location by a wet finger.
4. Use a piece of dry and soft cloth to press it gently on the decal until it getting dry and no bubble existing.

水贴纸的使用方法:

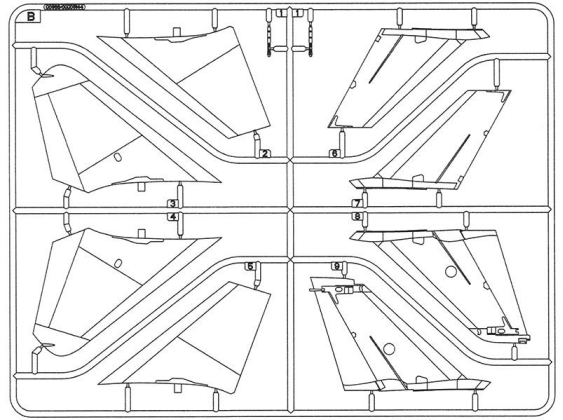
- 一. 把相关的印花从水贴纸上剪下, 放入40°C左右的温水中浸10秒。
- 二. 然后将印花放在干净的布上。
- 三. 拿上印花纸板, 手指蘸水将印花移到适当的位置。
- 四. 用软干布轻压印花直至水干, 气泡消失。

部品图 Parts

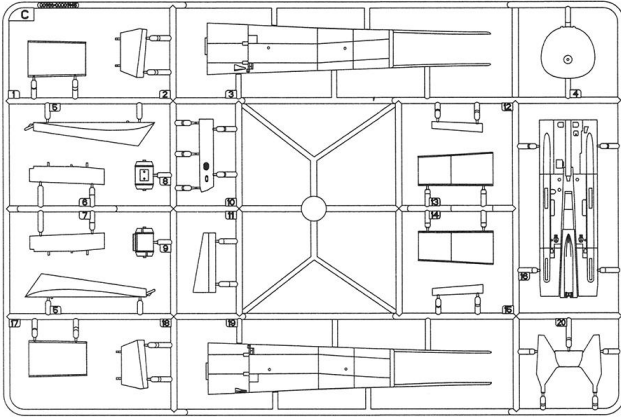
A



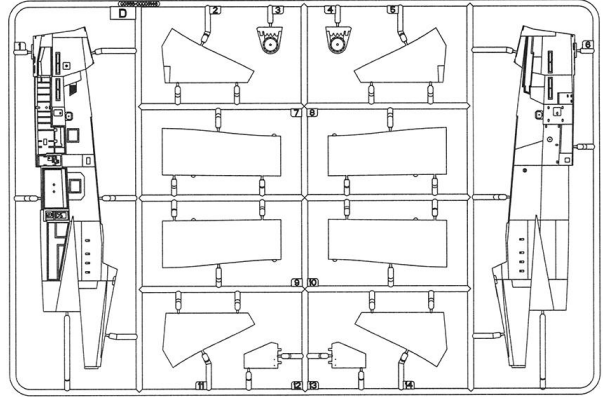
B



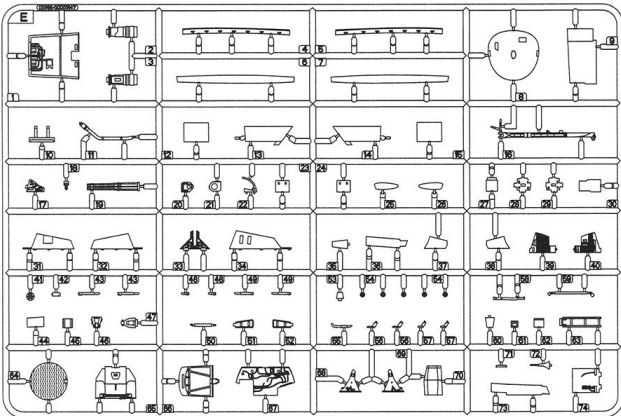
C



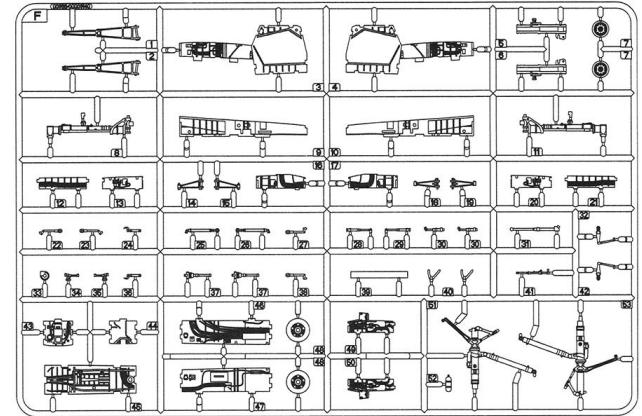
D



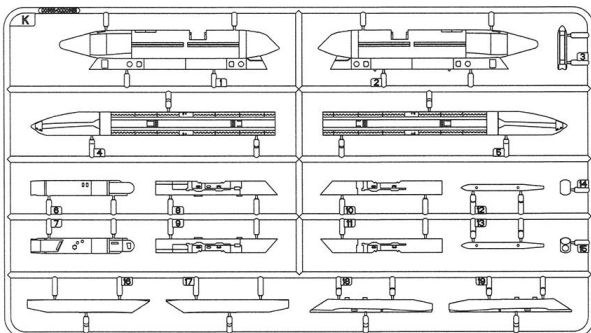
E



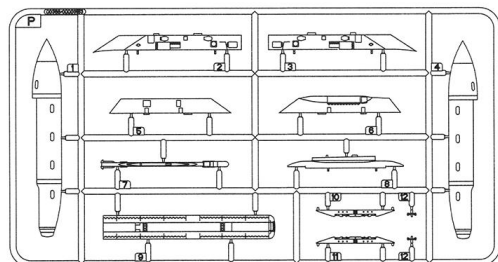
F



K



P X2

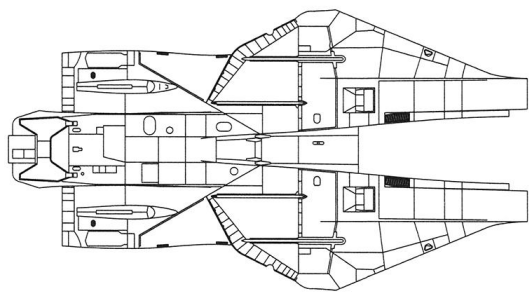


部品图

Parts

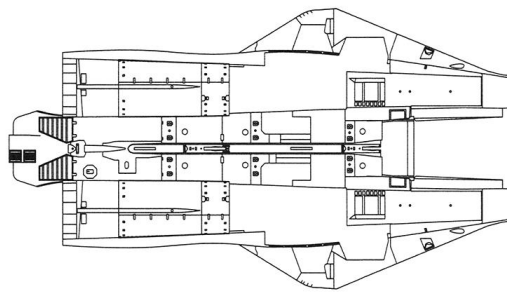
《上部机身》

Top Fuselage

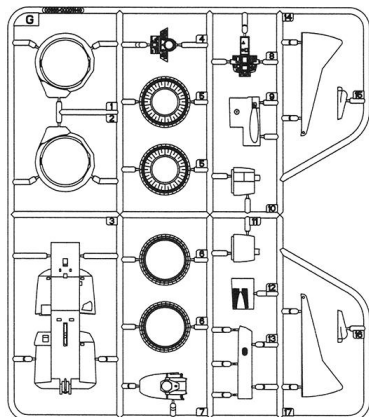


《下部机身》

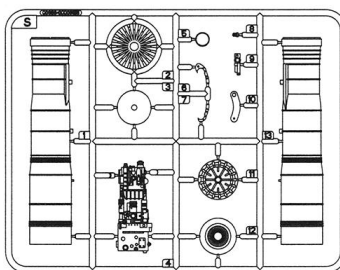
Lower Fuselage



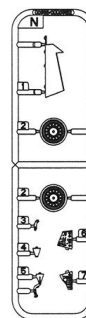
G



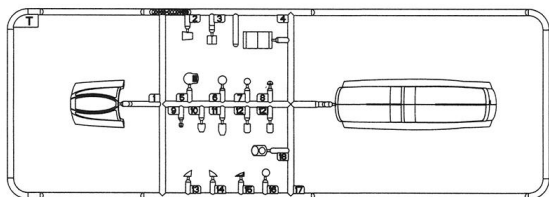
S X2



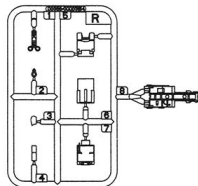
N



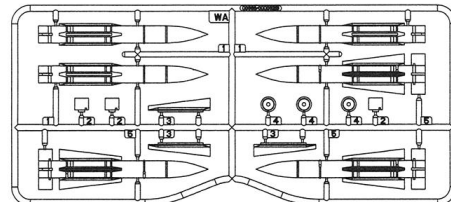
T



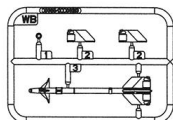
R X2



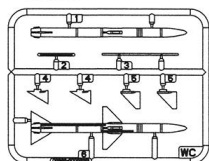
WA X2



WBX2



WCX4



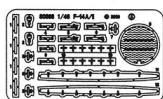
《前轮胎》 X2
Nose tyre X2



《主轮胎》 X2
Main tyre X2



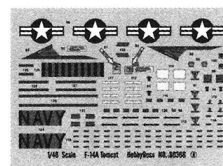
《蚀刻片》-A
Photo etched parts(PE)-A



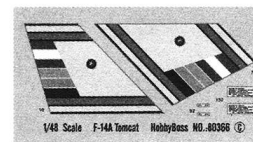
《水贴》
Decal



A

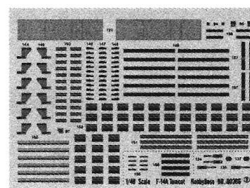


B

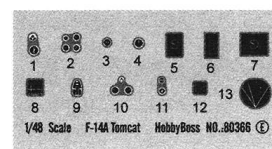


C

不用的部件: E18 E25 E26 K1 K2 K3 K6 K7 K8 K9
Unused parts
K10 K11 K14 K15 P7 P10 P11 P12
T2 T3 T4 T5 T6 T7 T8 T10 T11 T12
T16 T18

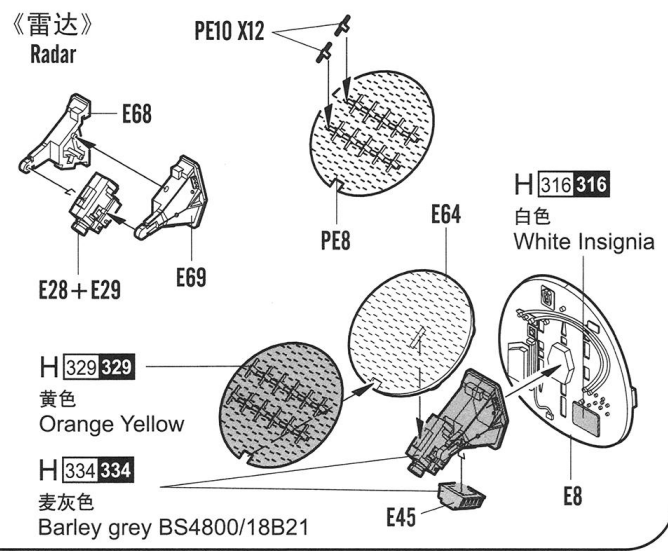
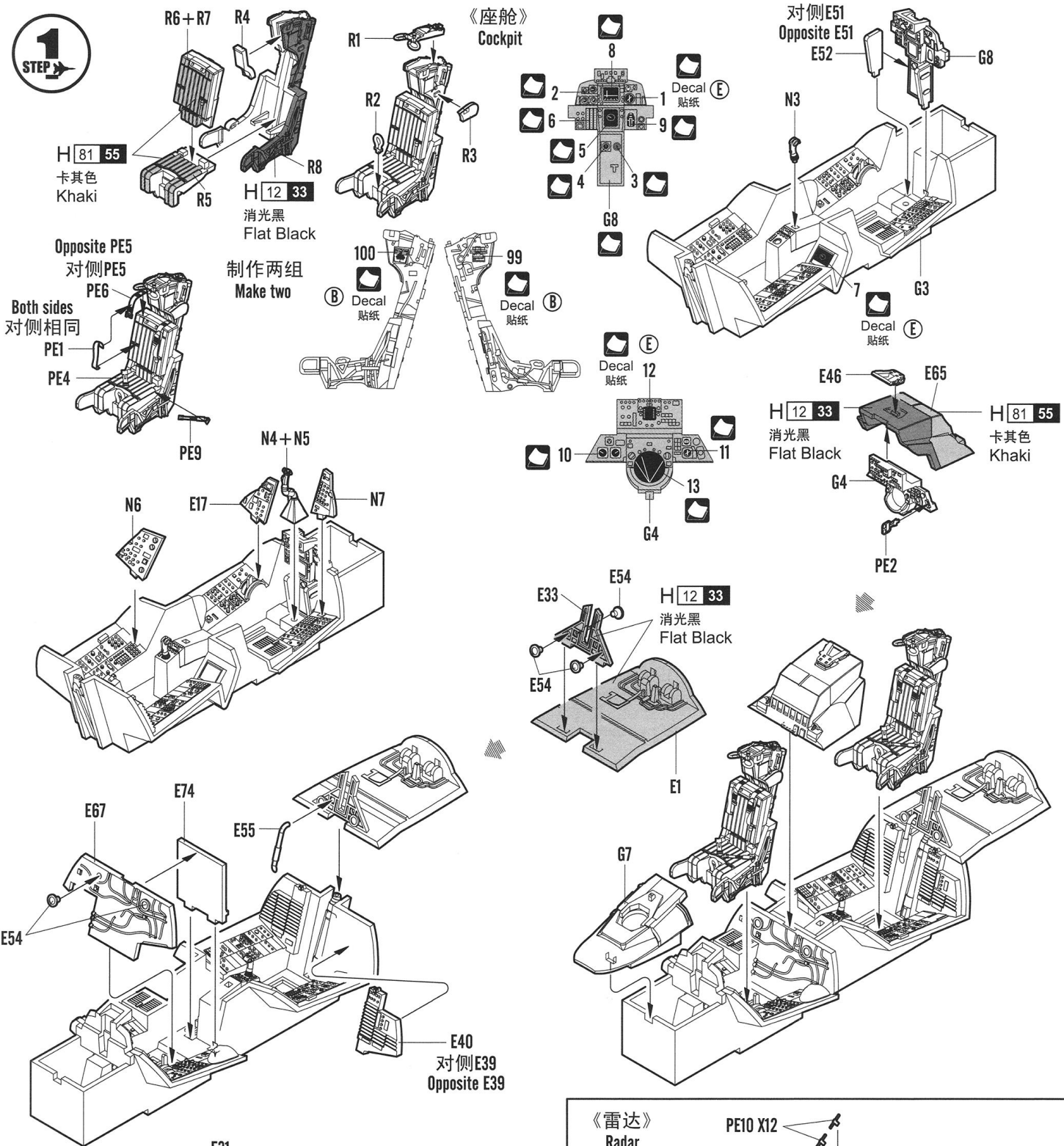


D



E

1
STEP



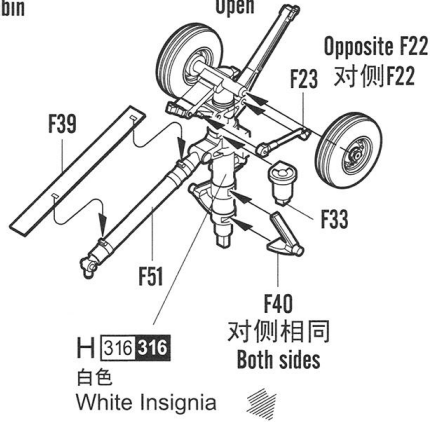
2
STEP

《前轮舱》
Nose gear cabin

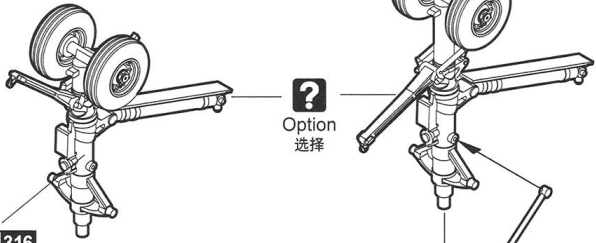
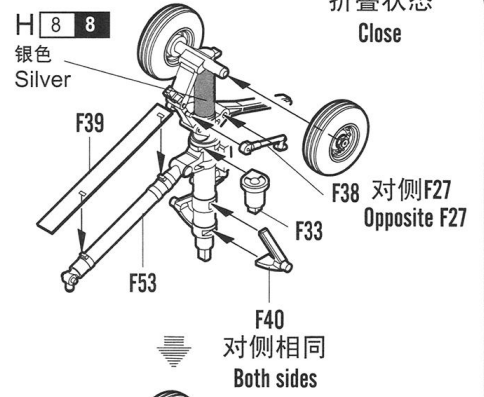


制作两组
Make two

展开状态
Open



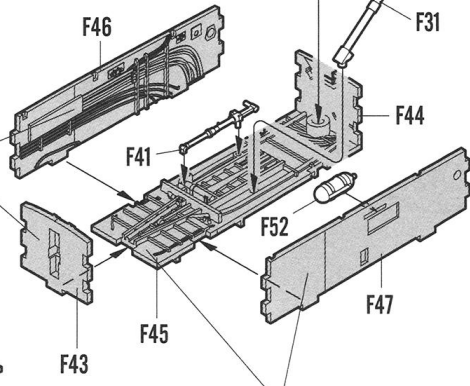
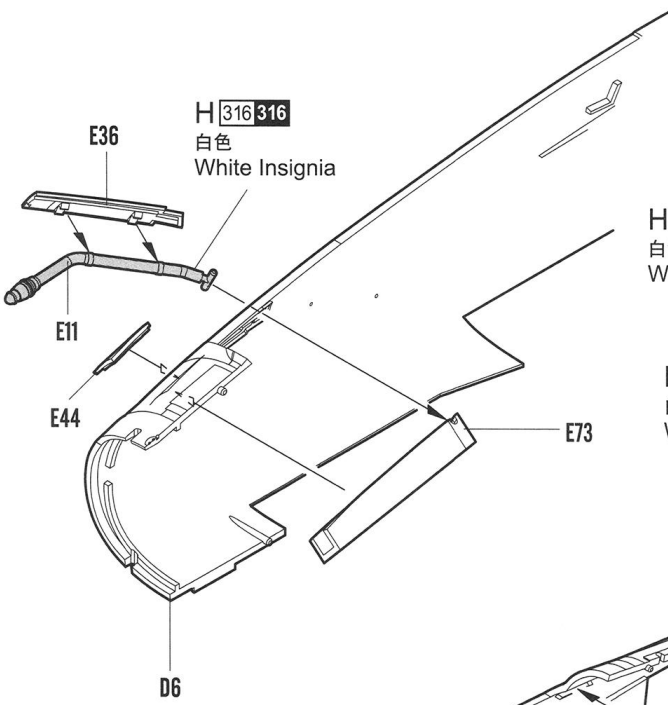
折叠状态
Close



H 316 316
白色
White Insignia

H 316 316
白色
White Insignia

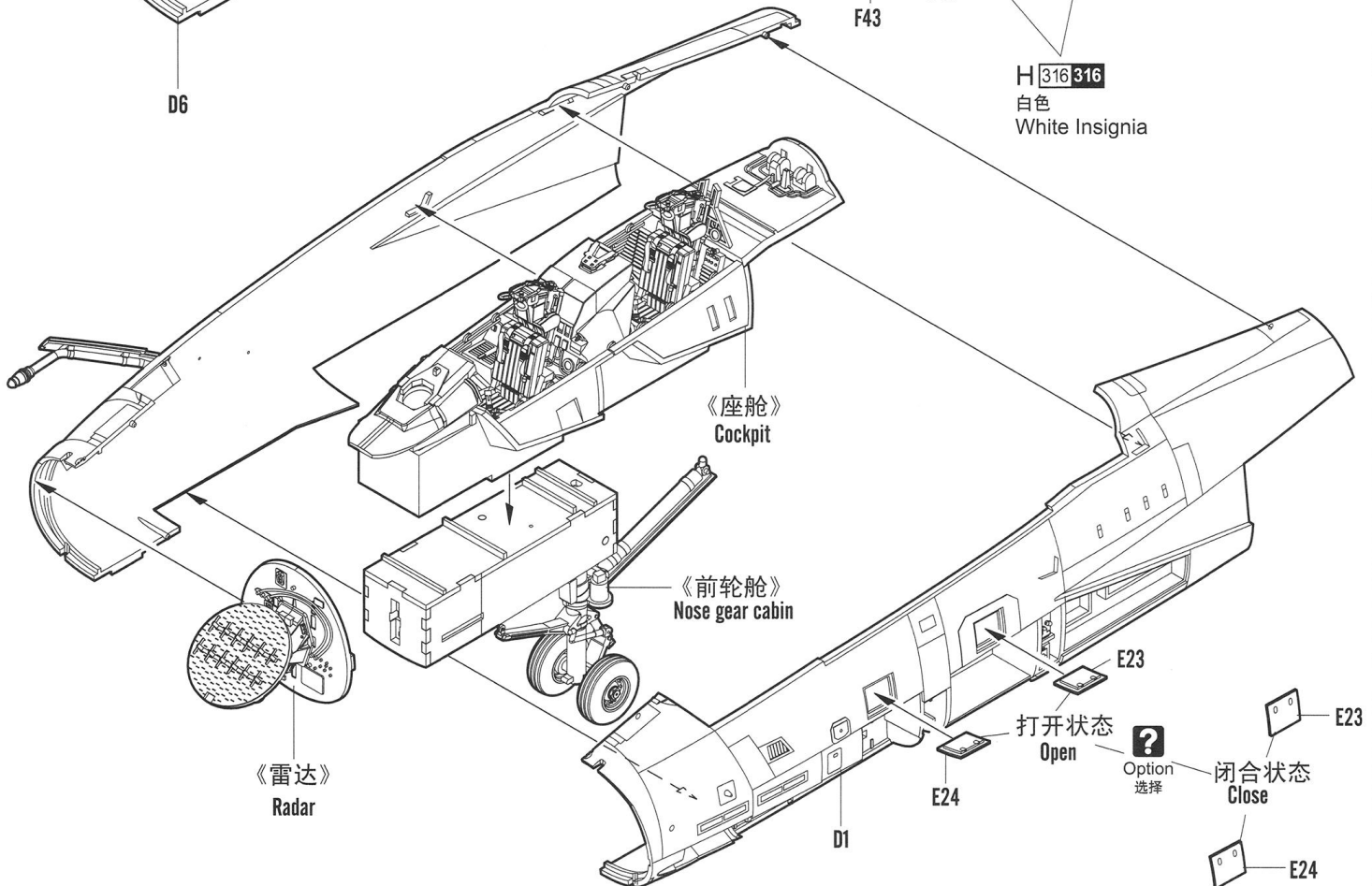
H 316 316
白色
White Insignia



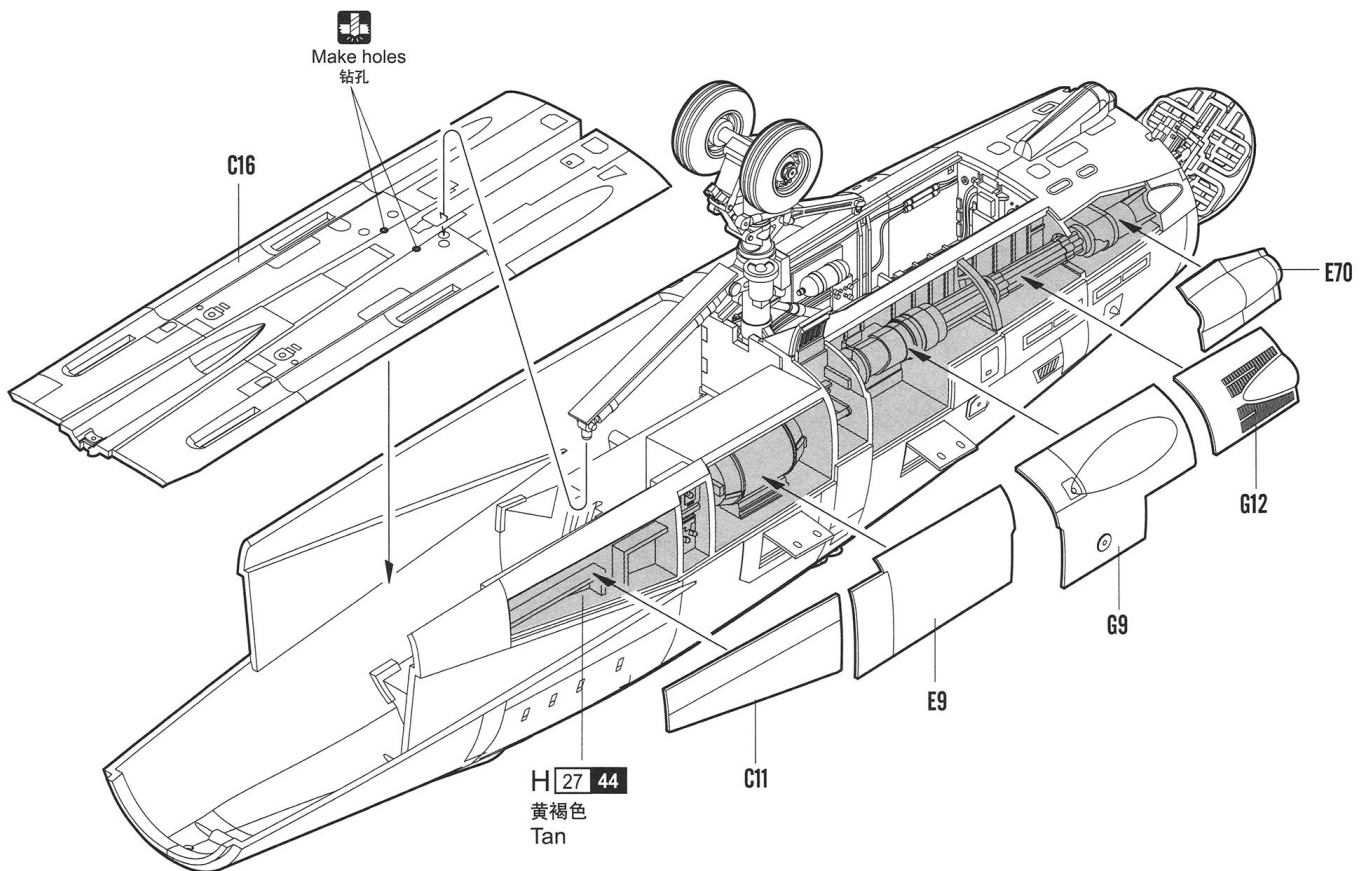
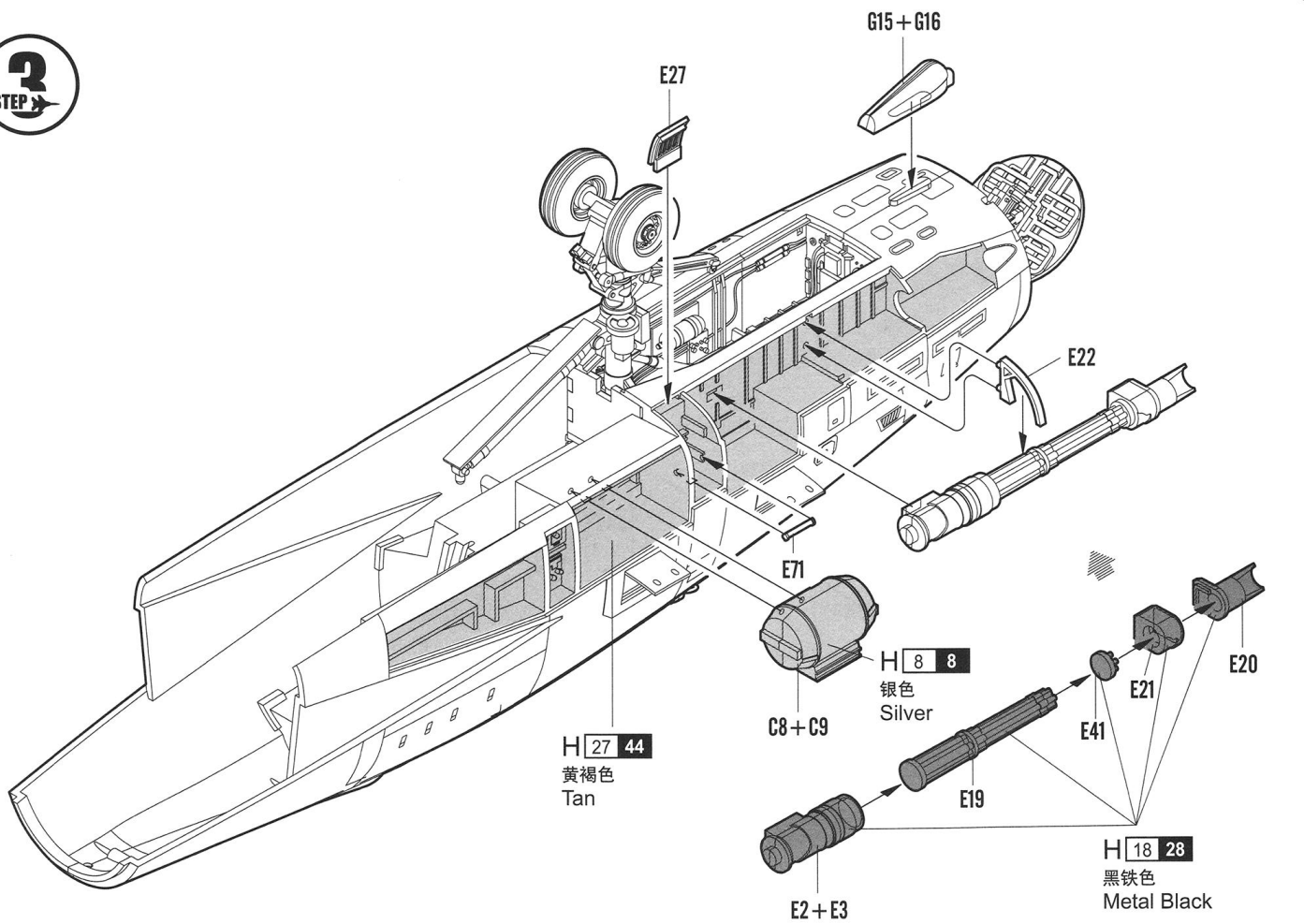
《座舱》
Cockpit

《前轮舱》
Nose gear cabin

《雷达》
Radar

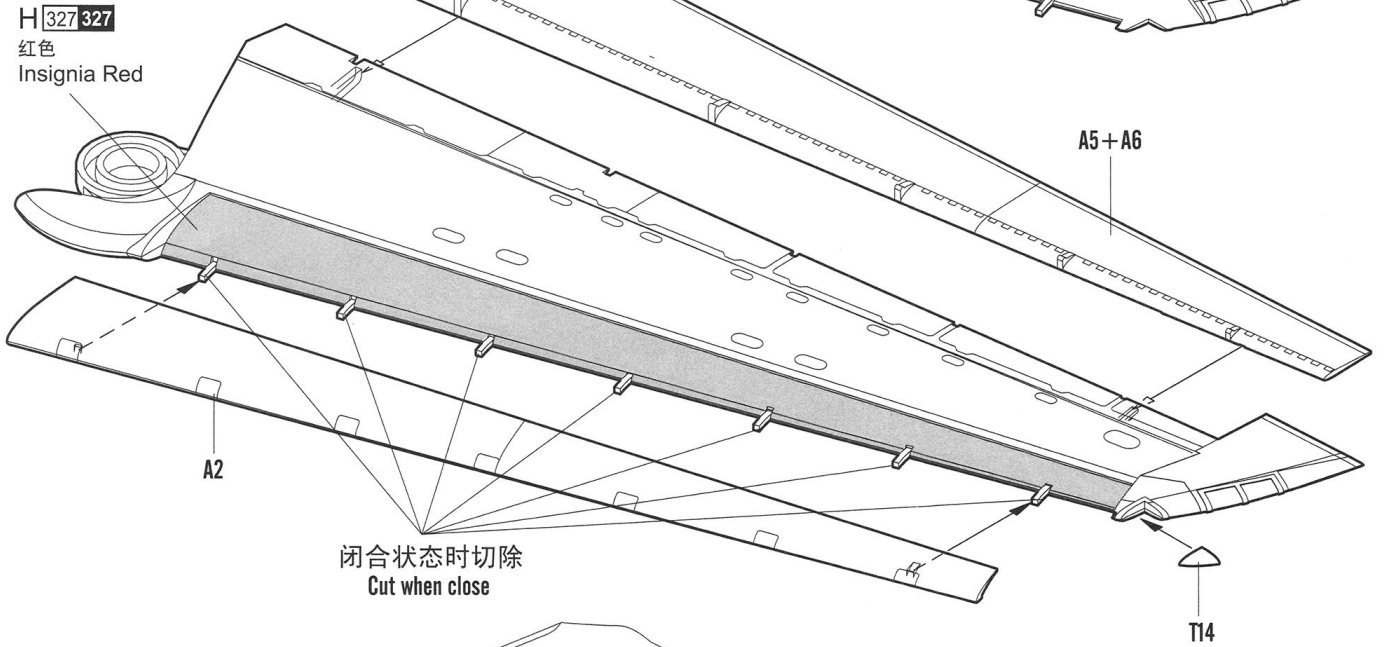
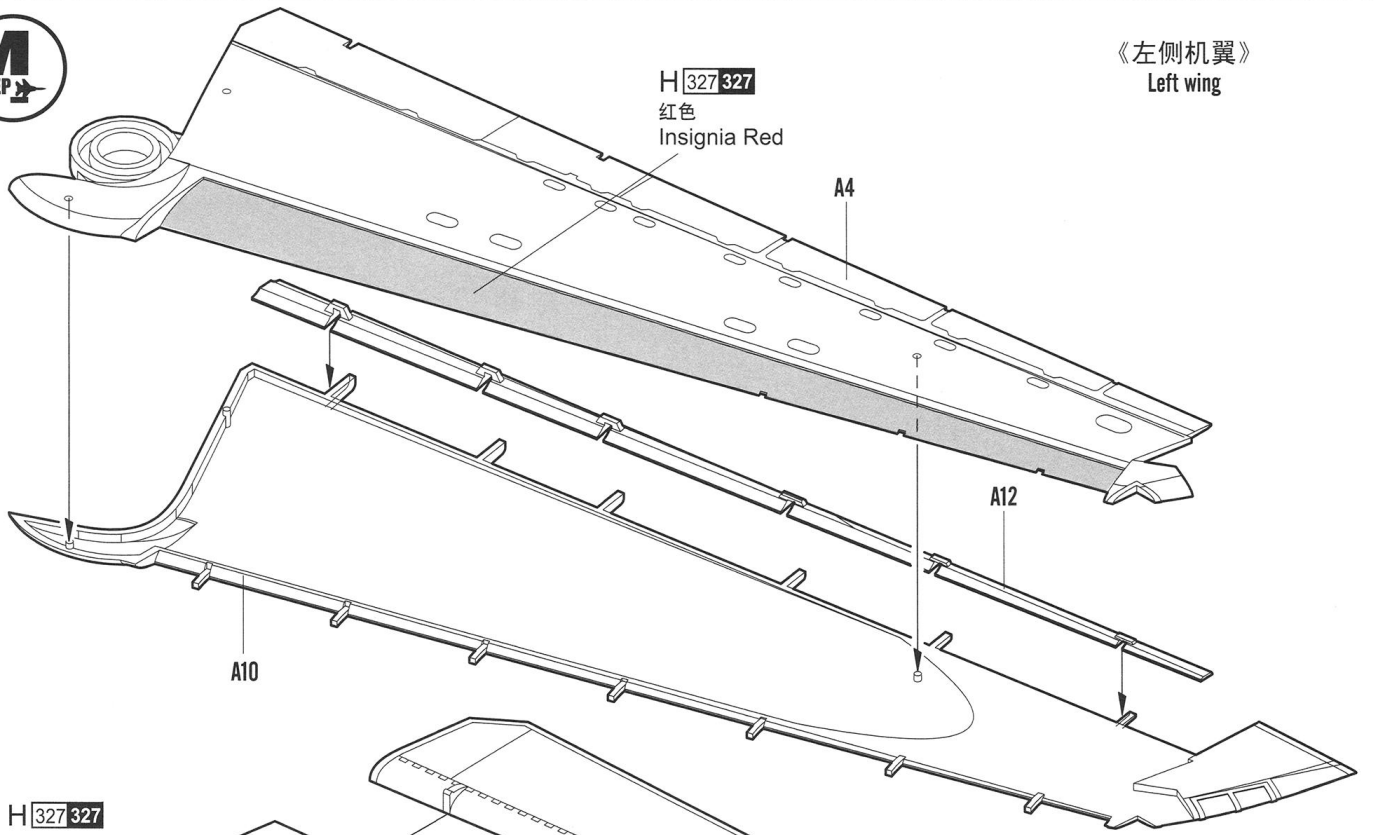


3
STEP

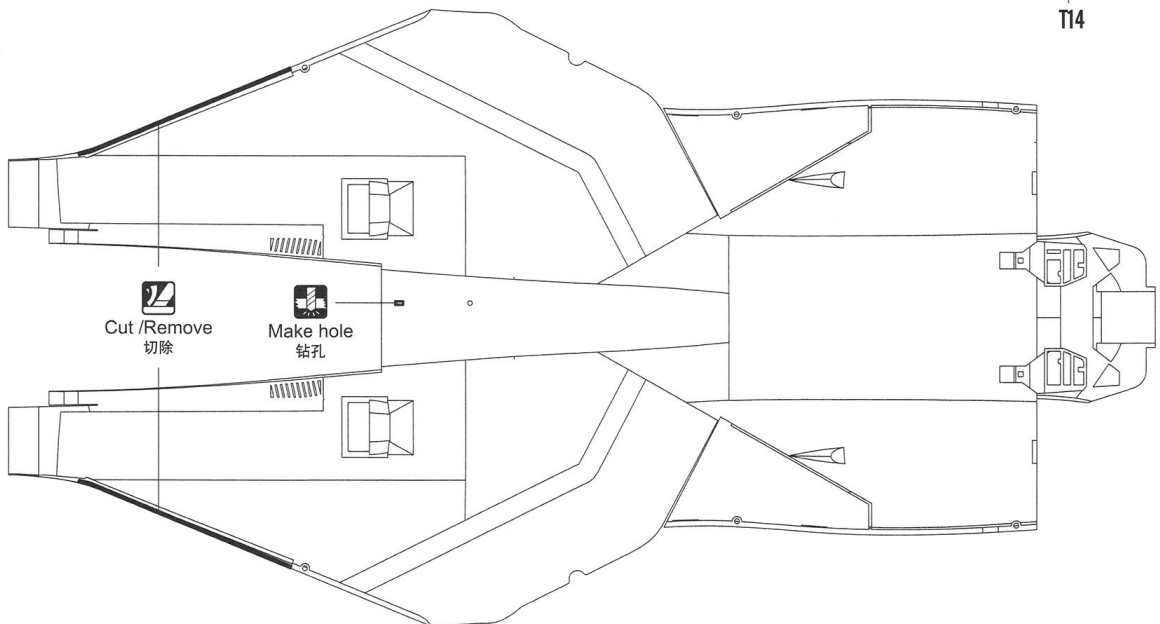


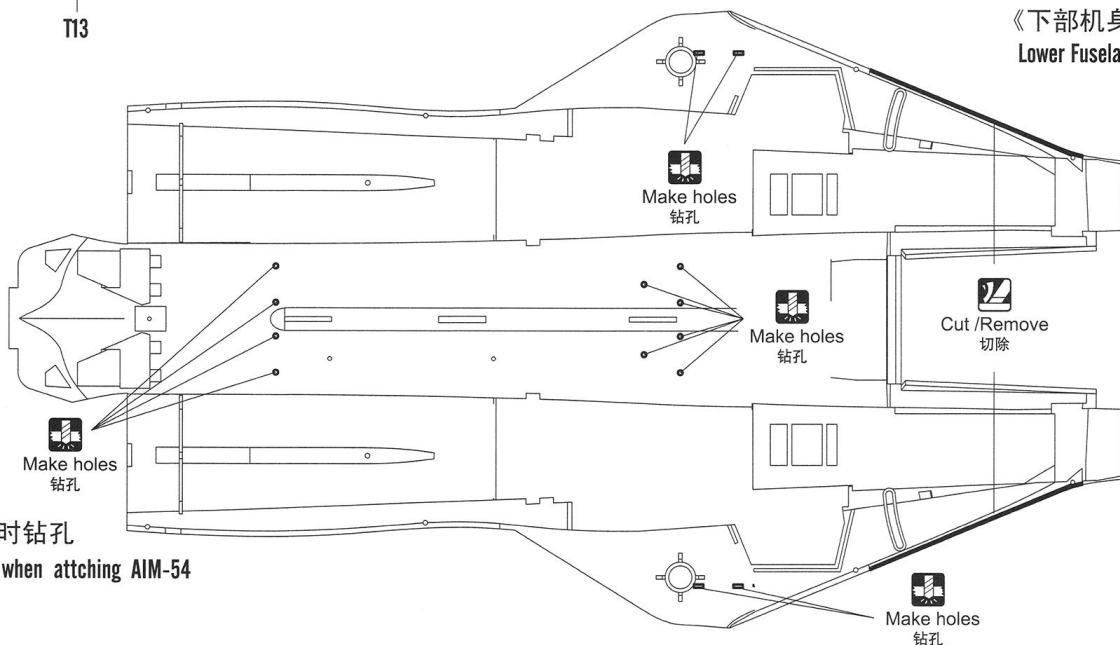
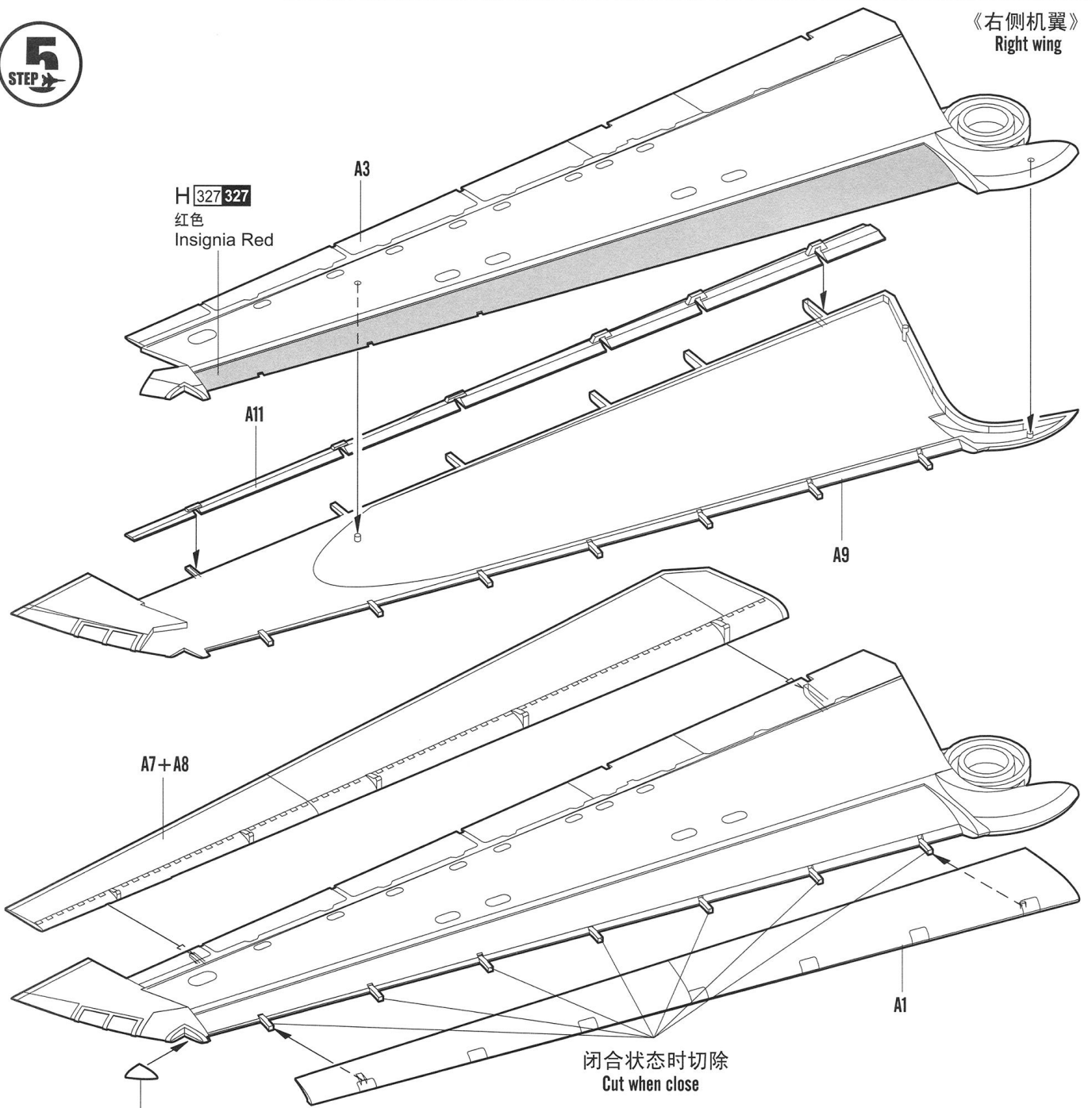


《左侧机翼》
Left wing



《上部机身》
Top Fuselage

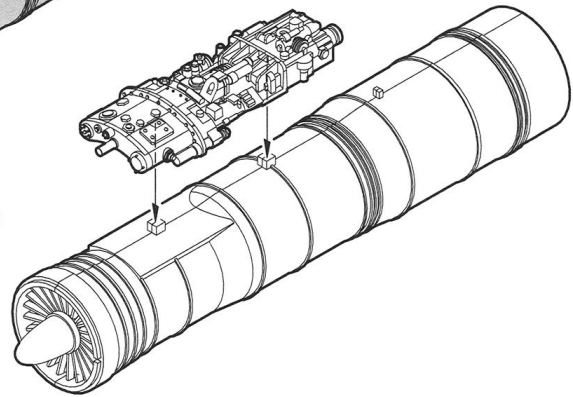
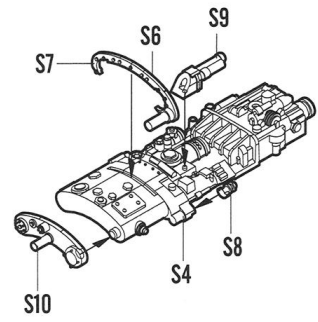
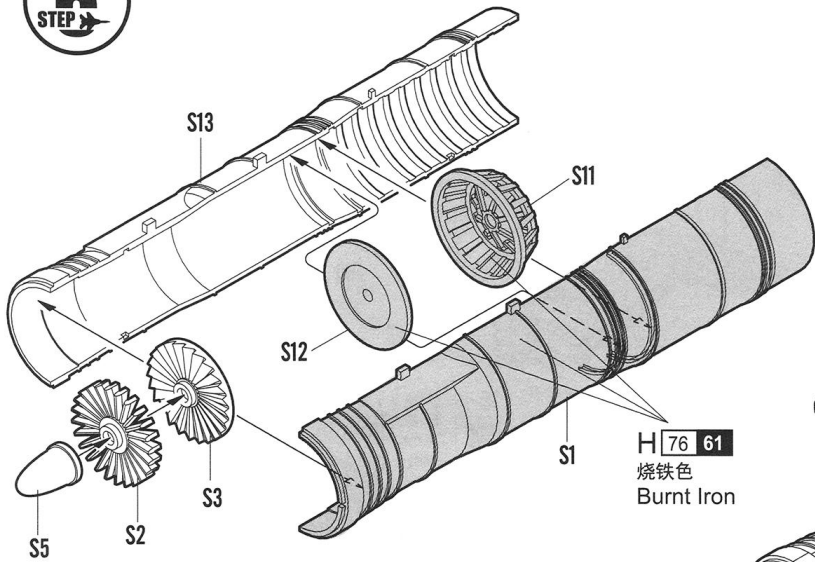




装AIM-54时钻孔
Make holes when attaching AIM-54

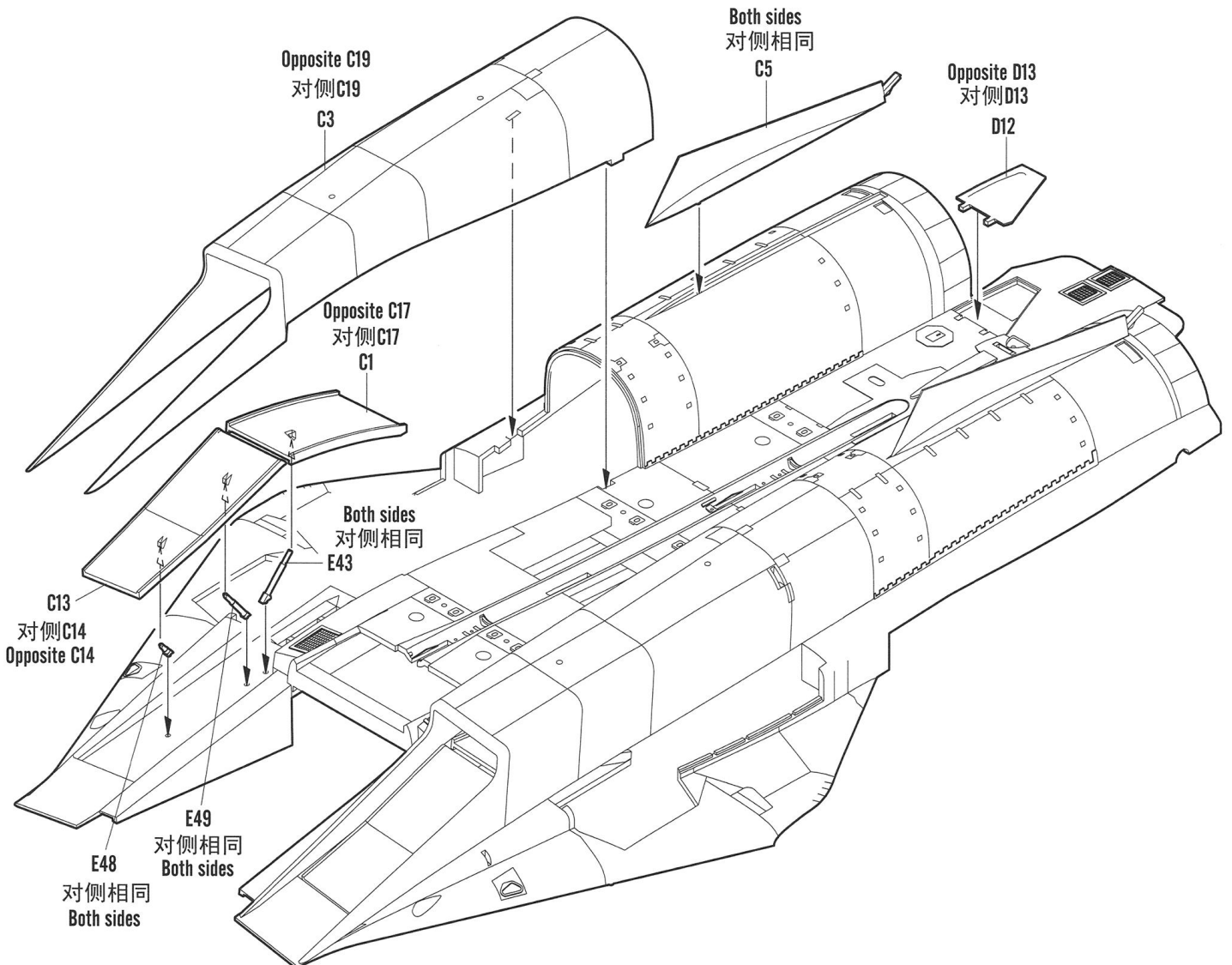


《发动机》
Engine



H 76 61
烧铁色
Burnt Iron

制作两组
Make two



Opposite C19
对侧C19

Both sides
对侧相同

Opposite D13
对侧D13

Opposite C17
对侧C17

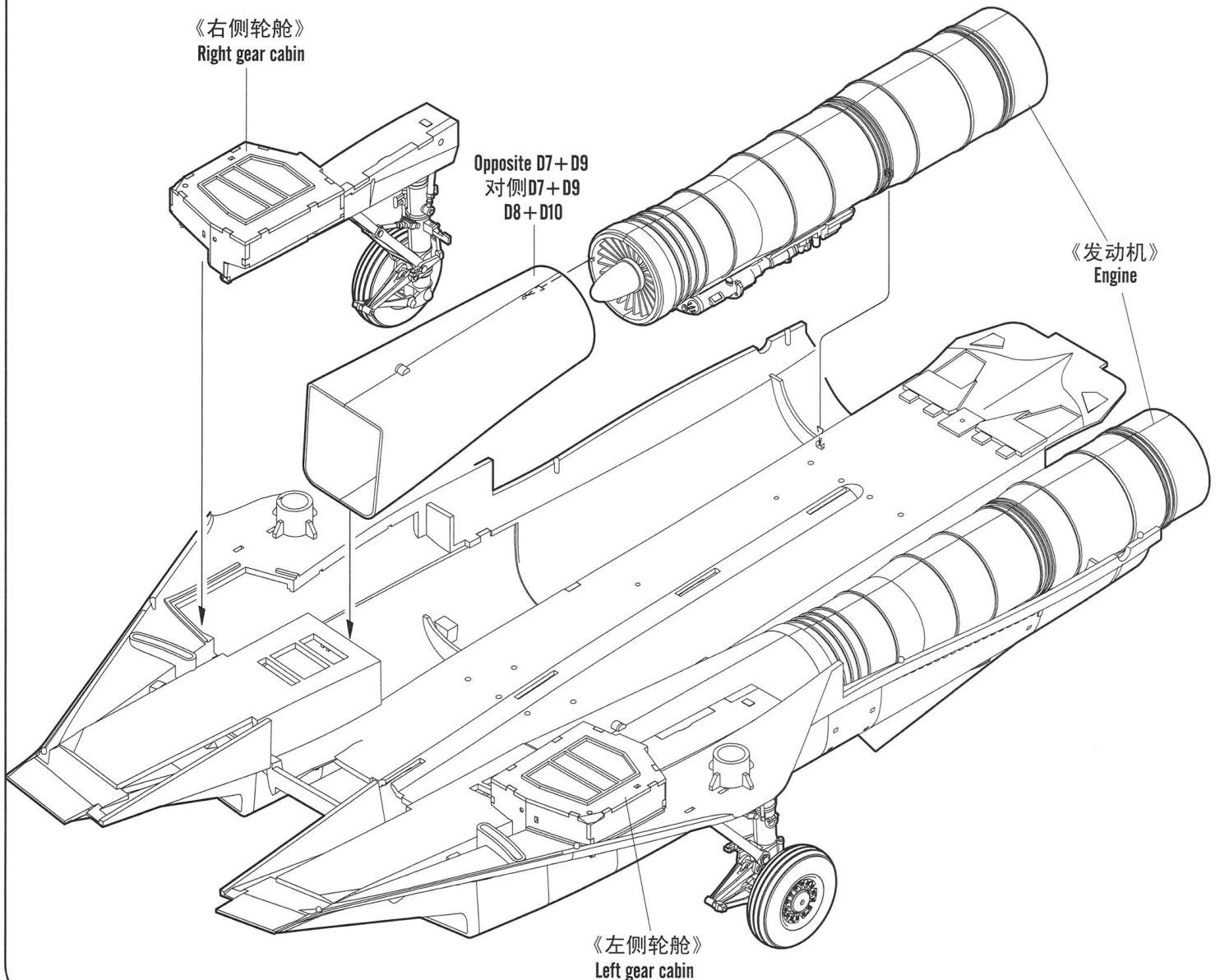
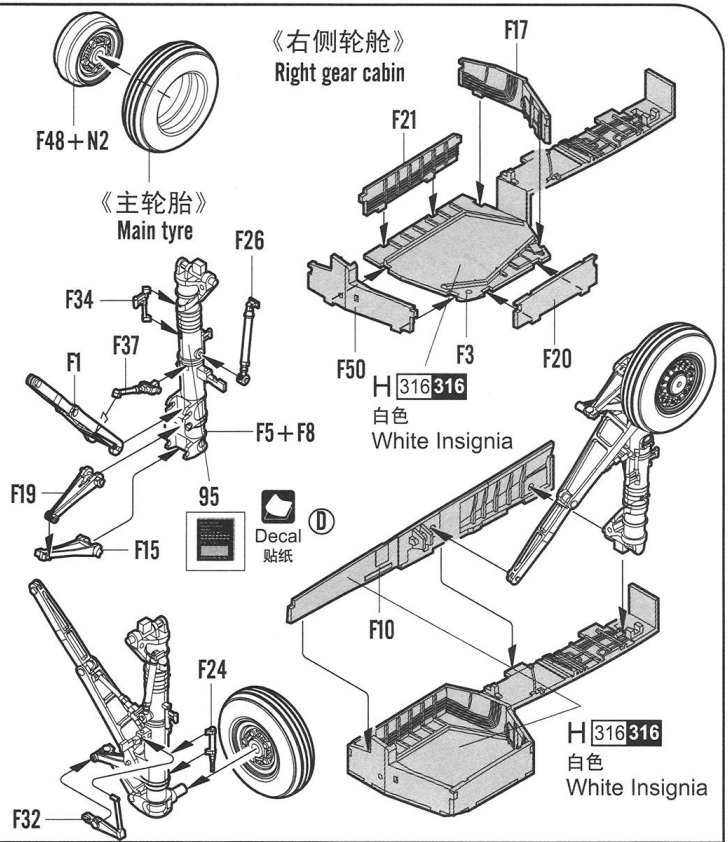
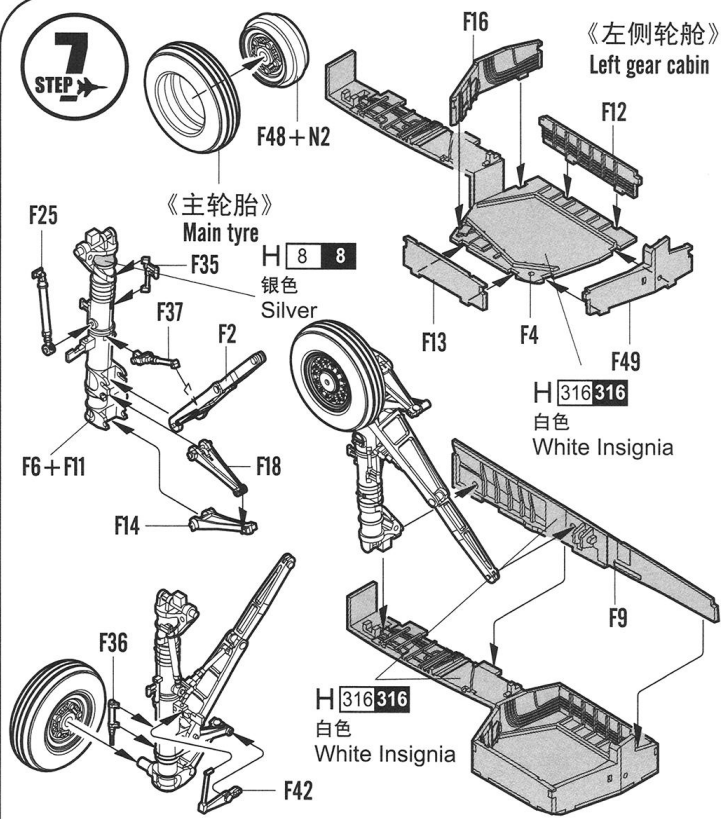
Both sides
对侧相同

C13
对侧C14
Opposite C14

E49
对侧相同
Both sides

E48
对侧相同
Both sides

7
STEP





Opposite D11
对侧D11
D14

Opposite D5
对侧D5
D2

C20

B1

H 327 327
红色
Insignia Red

Opposite E12
对侧E12
E15

?
Option
选择

E60

E53

《右侧机翼》
Right wing

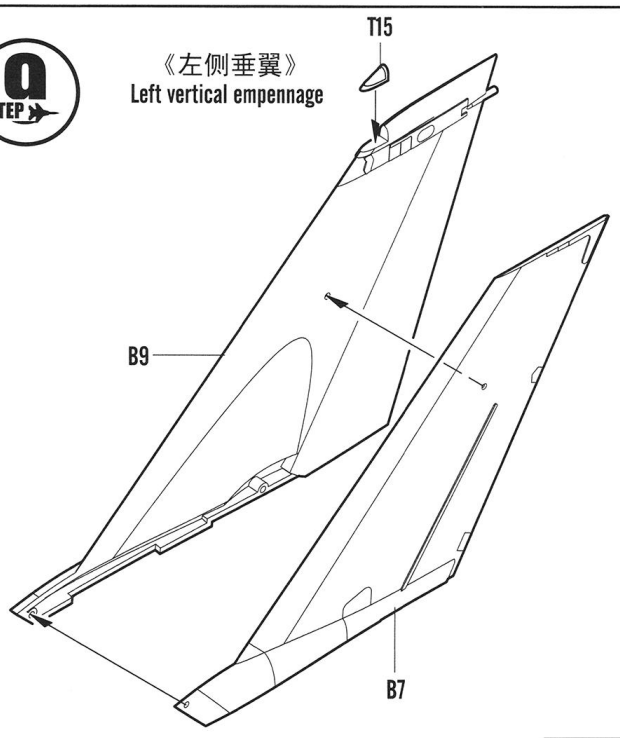
Opposite G17
对侧G17
G14

D3
对侧D4
Opposite D4

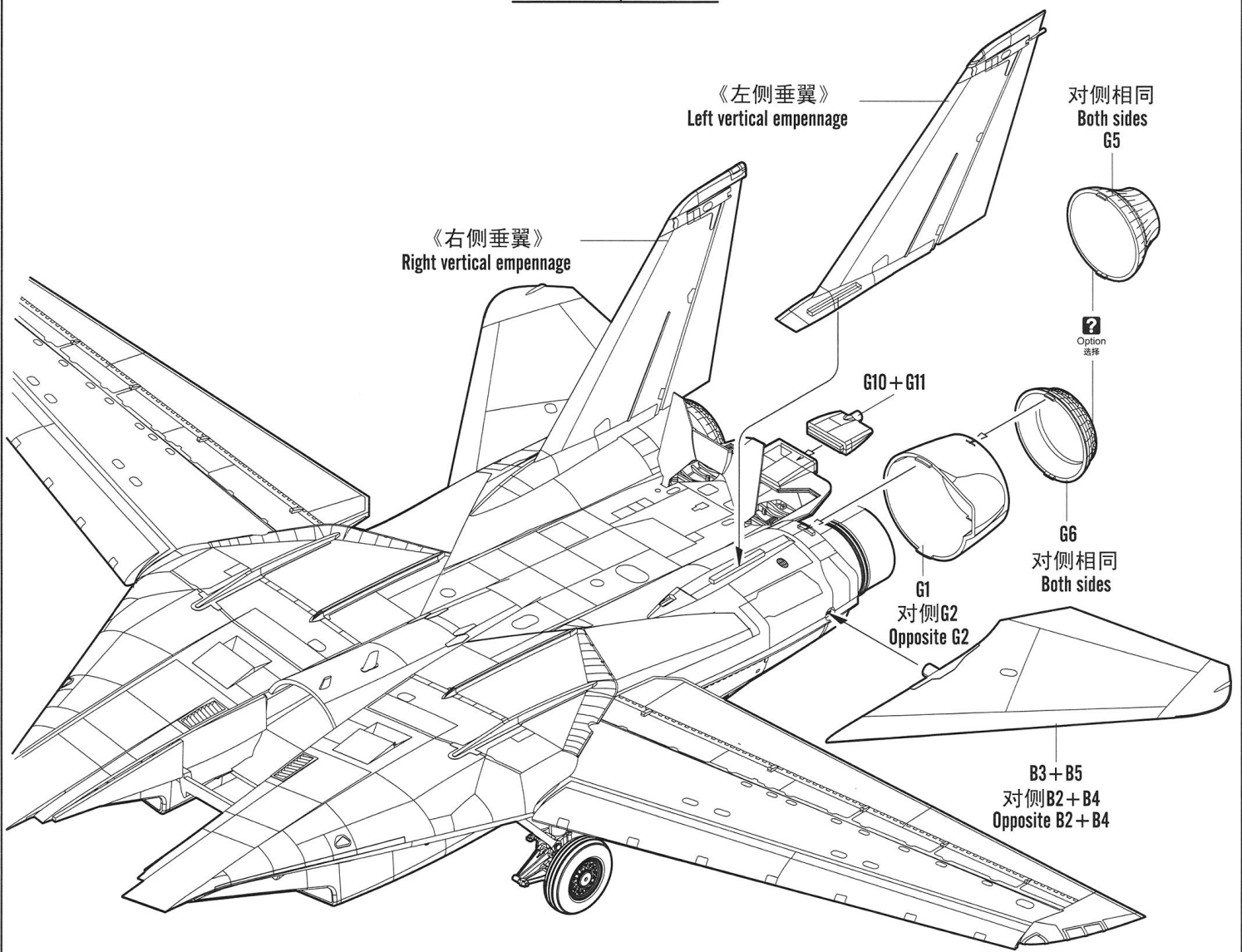
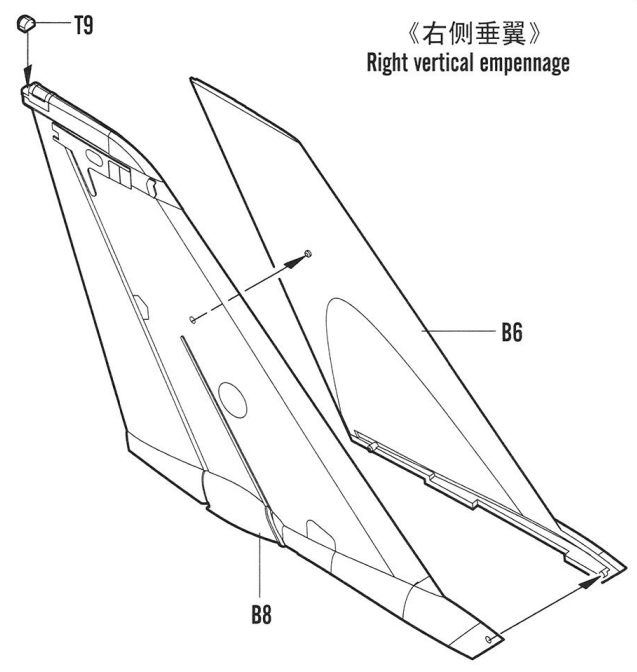
《左侧机翼》
Left wing



《左侧垂翼》
Left vertical empennage



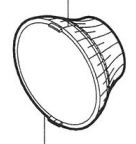
《右侧垂翼》
Right vertical empennage



《左侧垂翼》
Left vertical empennage

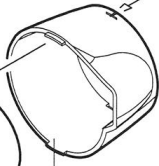
《右侧垂翼》
Right vertical empennage

对侧相同
Both sides
G5



Option
选择

G10 + G11



G1
对侧G2
Opposite G2

对侧相同
Both sides
G6



B3 + B5
对侧B2 + B4
Opposite B2 + B4

10
STEP

PE12 对侧PE11
Opposite PE11

E7 对侧E6
Opposite E6

H 12 33
黑(哑光)
Flat Black

打开状态时使用
Use only when open

Opposite E4
对侧E4

打开状态时使用
Use only when open

E72

C4

T1

E50

E35

E5

E59

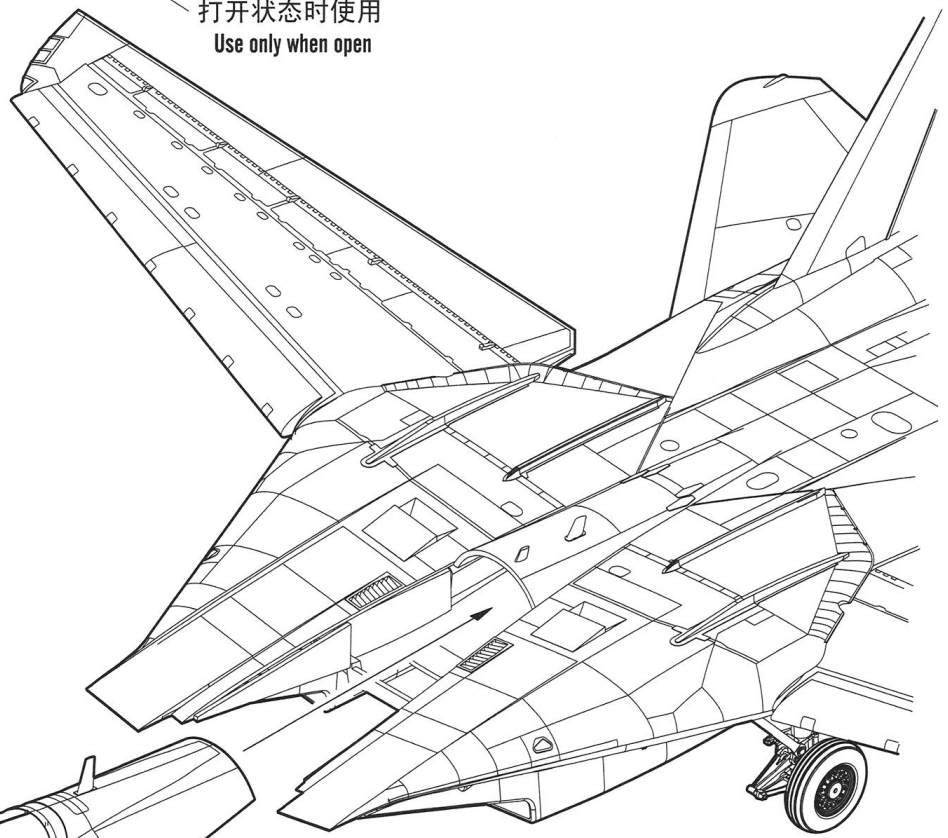
T17

E66

E58

PE7

PE3



打开状态
Open

闭合状态
Close

?
Option
选择

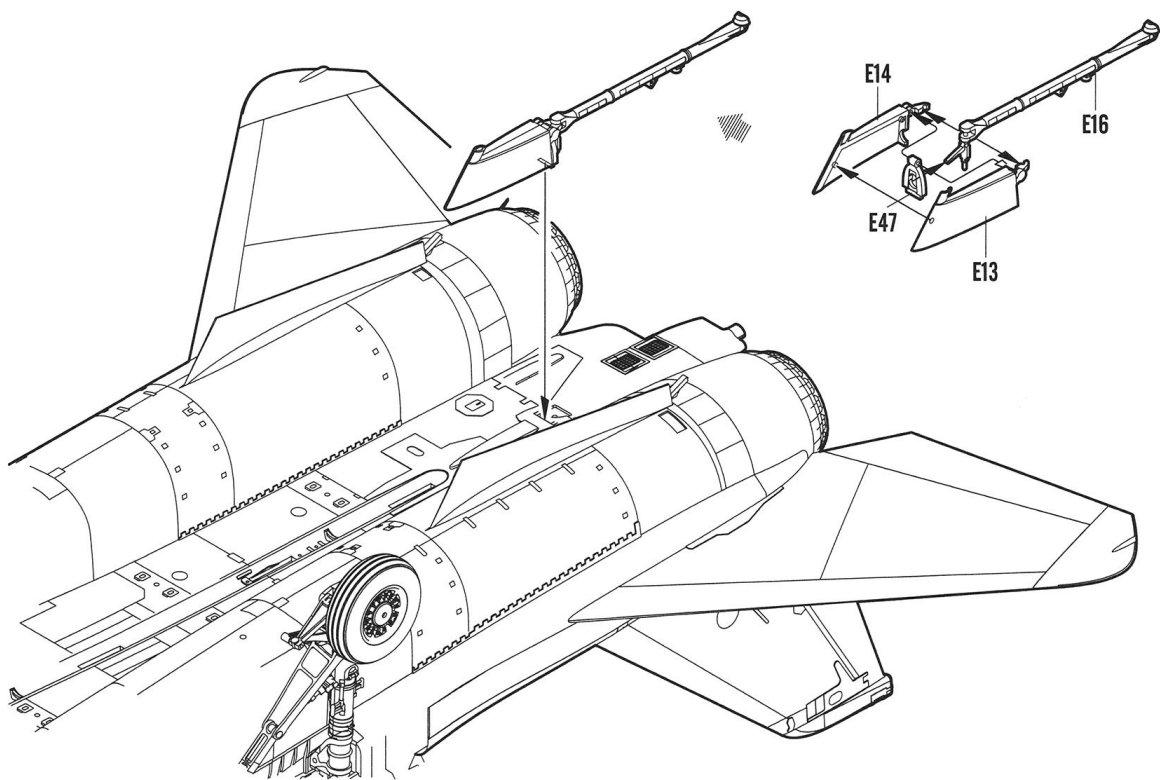
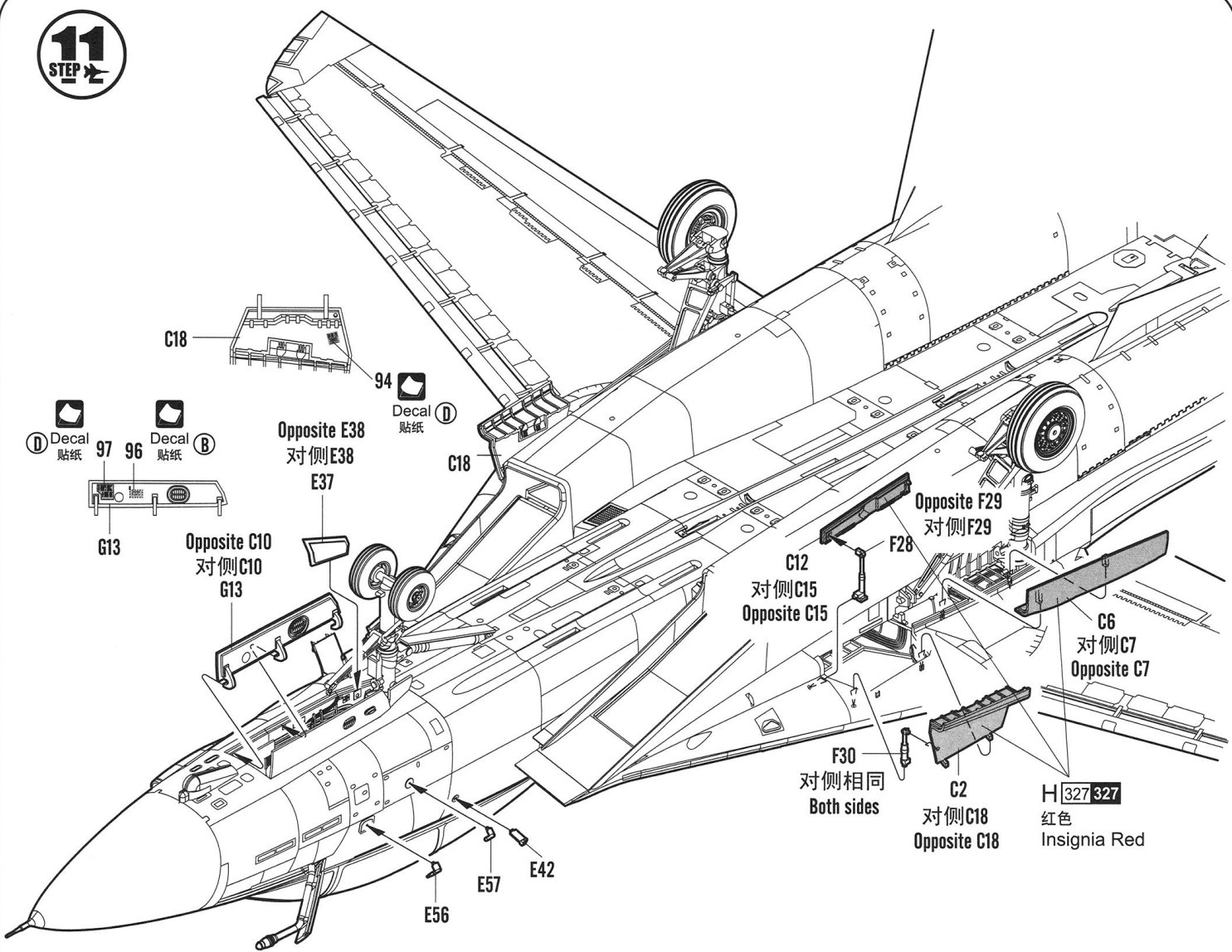
E62

E61

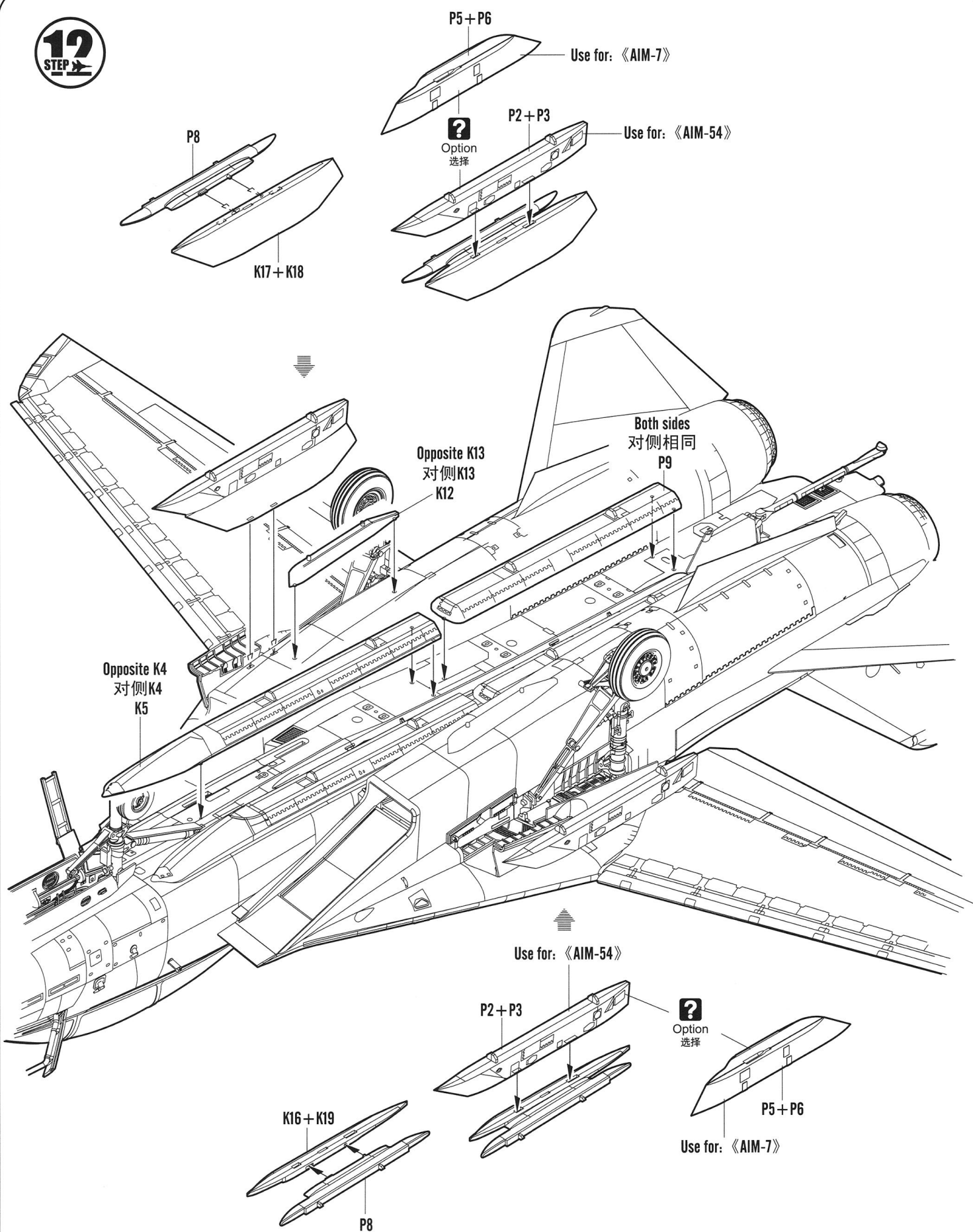
E63

E30

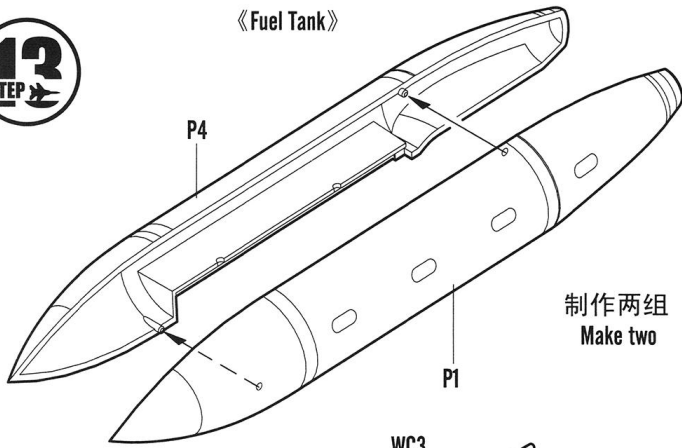
11
STEP



12
STEP

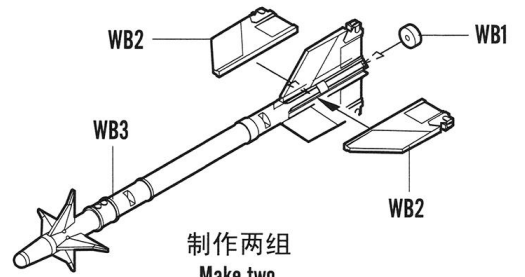


《Fuel Tank》



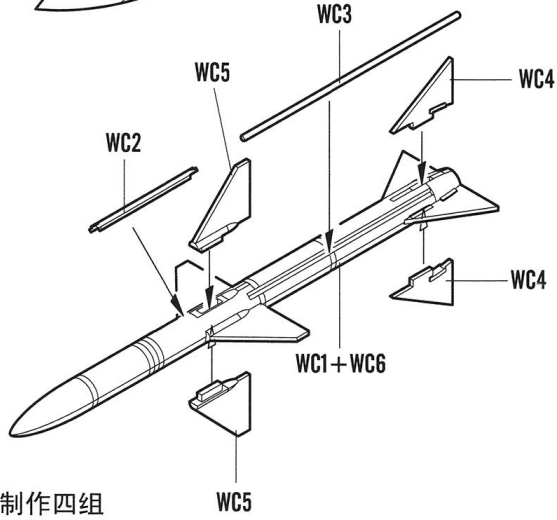
制作两组
Make two

《AIM-9》



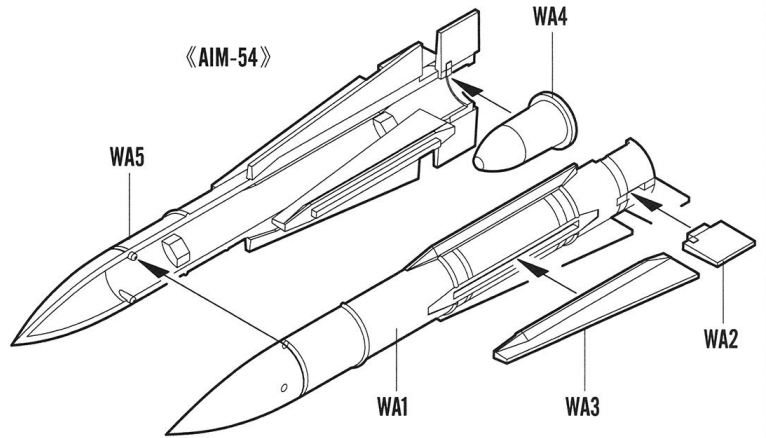
制作两组
Make two

《AIM-7》

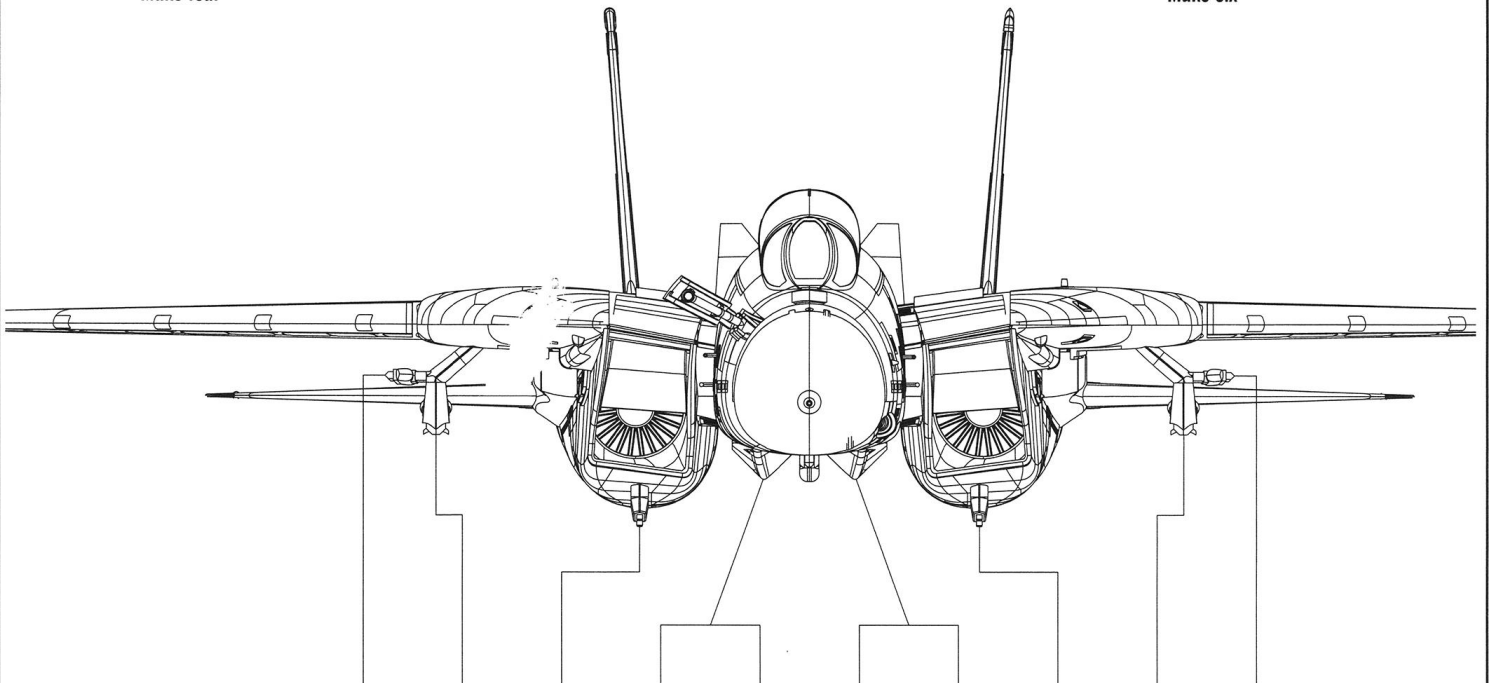


制作四组
Make four

《AIM-54》

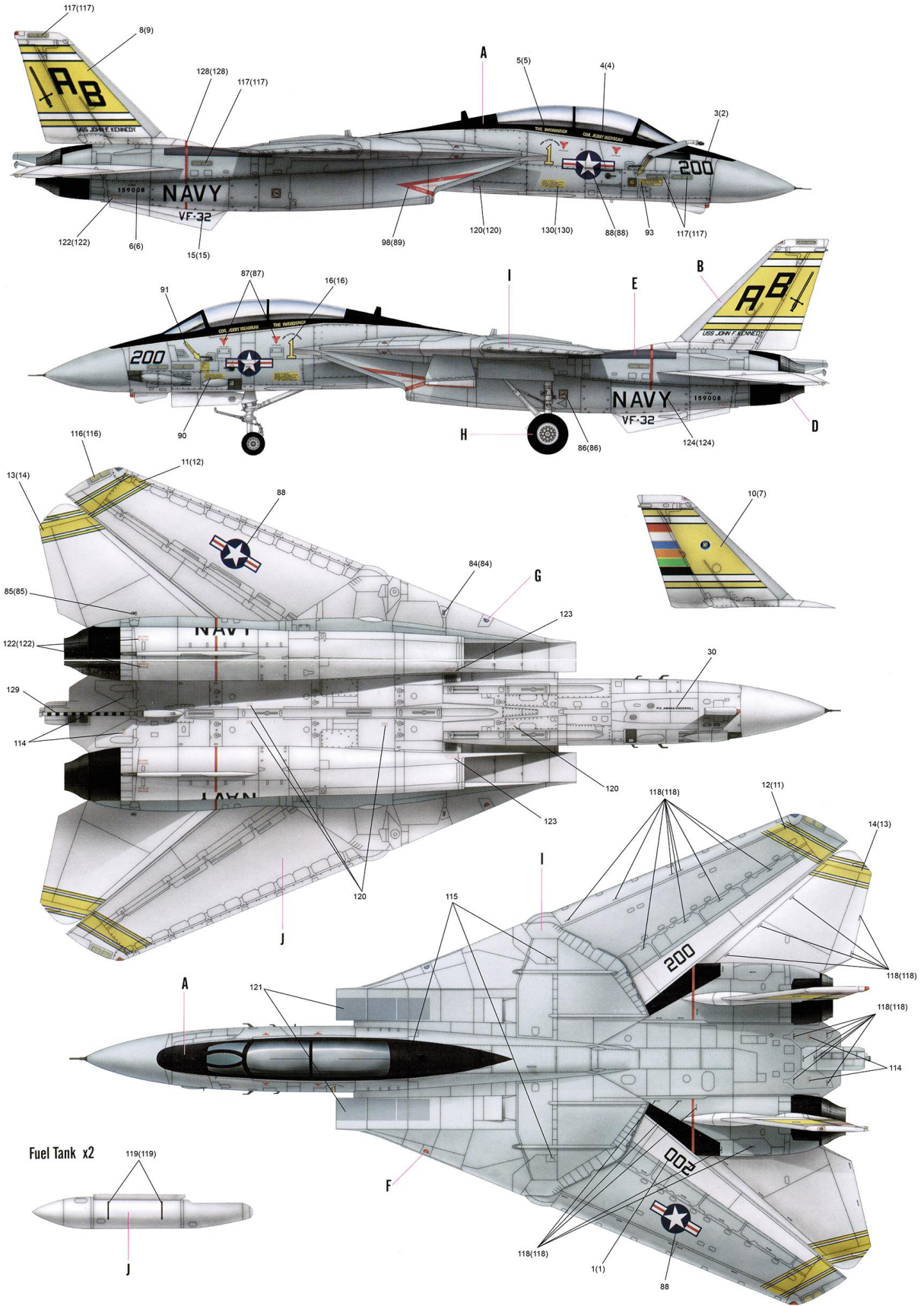


制作六组
Make six



Sta.No. Missile/Tank	1	2	3	4 Front	5 Back	6 Front	7 Back	8	9	10
AIM-54		●		●	●	●	●		●	
AIM-7		●		●	●	●	●		●	
AIM-9	●									●
Fuel Tank			●					●		

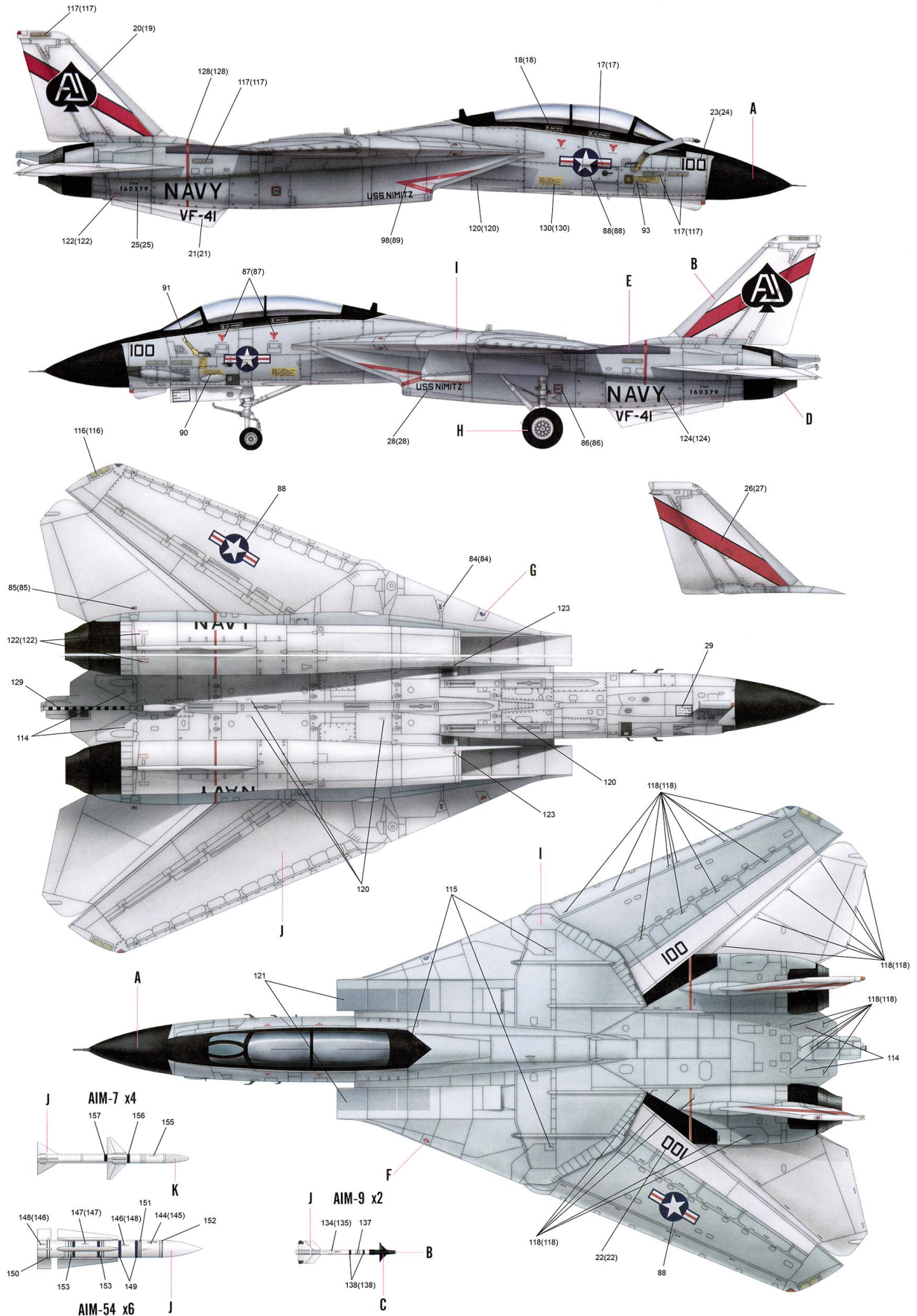
I F-14A-75, No.159008 VF-32/USS.J.F. Kennedy 1976.



	Color	Mr.Hobby	Vallejo	Model Master	Tamiya	Humbrol		Color	Mr.Hobby	Vallejo	Model Master	Tamiya	Humbrol
A	黑色 Black	H [2] 2	861	1747	XI	21	E	金属红色 Metallic Red	H [87] 75	946	--	--	51
B	银色 Silver	H [8] 8	997	1546	XII	11	F	透明红 Clear Red	H [90] 47	934	--	X27	--
C	消光黑 Flat Black	H [12] 33	950	1749	XFI	33	G	透明蓝 Clear Blue	H [93] 50	938	--	X23	--
D	烧铁色 Burnt Iron	H [76] 61	863	1795	XIO	53	H	胎黑色 Tyre Black	H [77] 137	--	--	--	--

※ Some paints may not be available in your country. Please check your local hobby shop for substitute.

II F-14A, No.160379 VF-41/USS Nimitz 1978.



	Color	Mr.Hobby	Vallejo	Model Master	Tamiya	Humbrol
I	灰色 Light Gull	H 315 315	843	1730	--	129
J	白色 White insignia	H 316 316	991	1745	X2	22
K	整流罩色 Radome	H 318 318	917	1709	--	148