

M4A3E8 Sherman "Easy Eight"

美国M4A3E8中型坦克

READ BEFORE ASSEMBLY:

- Study and understand these instructions thoroughly before beginning assembly
- When needed, remove photo-etch parts carefully using a modeling knife or photo etch sprue cutter, being careful not to damage or lose small parts.
- Take extra care in handling photo etch parts in order to avoid injury
- Apply instant cement sparingly to photo etch parts where instructed
- Tools recommended(not included in kit):Plastic and instant cements, sprue cutters,long nose pliers,modeling knife, small files, tweezers, pin vise & scissors. Soft cloth and sandpaper will also assist in construction
- Glue and paint are not included in the kit. Use plastic cement and hobby paints only. Color guide for purchasing paint is included in the kit.

装配之前仔细阅读

- 小心用模型锉刀锉平所有零件表面的注射浇口。
- 小心用刀片切下蚀刻片零件，不要遗失小零件。
- 用强力快干胶水粘合蚀刻片零件和金属轴。过量快干胶水使用可能导致可动零件会粘住，小心涂胶。
- 取蚀刻片时应特别注意安全，防止利边划伤手指。
- 某些零件表面需贴上水贴纸，请选择在装配的同时进行。
- 推荐模型工具(自备)：胶水，水口剪刀，长咀钳，刀片，锉刀，镊子，钳，钻，剪刀，瞬间快干胶。
- 软布同砂纸同时也是所需工具。
- 请使用塑料胶水和油漆，模型内不含。



使用强力胶
Cyanoacrylate glue



配重
Weight



钻孔
Make hole



切除
Cut / Remove



贴纸
Decal



锉平
File / Sand



选择
Option



不涂胶水
No cement



弯曲
Bend



先装
Install it first



填补
Repair

水贴纸的使用:

- 1.从水贴纸上剪下印花;
- 2.将印花放入温水中浸10秒, 然后放在干净布上。
- 3.拿着印花纸板将印花移到模型上;
- 4.手指蘸水将印花移到适当的位置;
- 5.用软布轻压印花直至水干, 气泡消失

DECAL APPLICATION

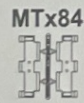
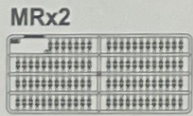
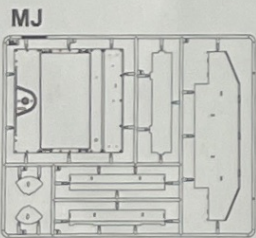
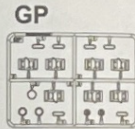
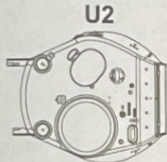
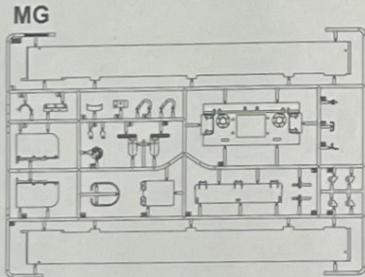
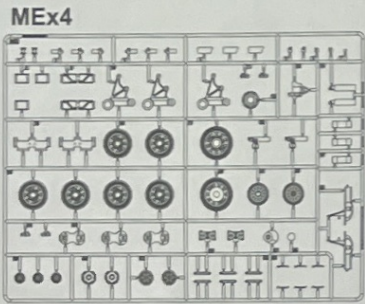
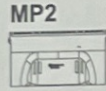
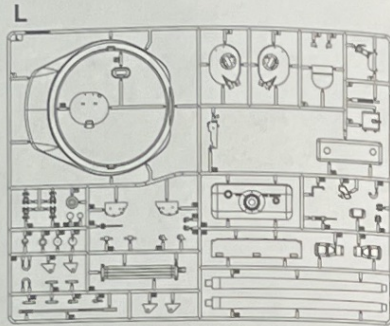
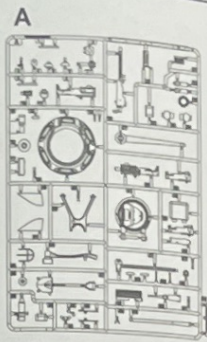
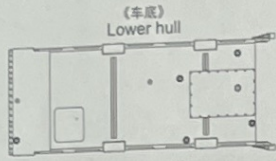
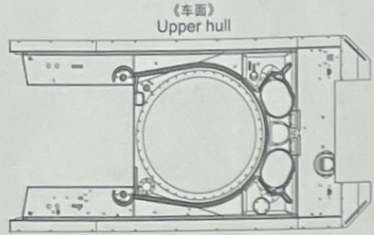
- 1.Cut decals from sheet as needed
- 2.Dip the decal in warm water for about 10 seconds and then place on soft clean cloth.
- 3.Hold the decal backing sheet edge and gently slide the decal onto the model in its proper position.

- 4.While still wet,decal can be adjusted for better fit on model by dampening it gently with your finger.
- 5.When placed in the proper position,gently press decal down with a soft cloth until excess water and air bubbles are gone.
- 6.Allow decal to dry completely before handling model

* 说明书中含有重要信息，应保留。 Please Keep instruction since it contains important information.

部品图
Parts

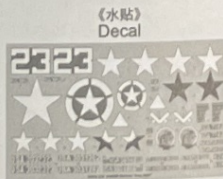
不用部件: A54 A55 A57 F2 F7 F13 F17 F28
Unused Parts L8 L11 L18 L19 L21 L33 L41 L46
ME8 ME9 ME33 MG16



《钢缆》
Cable $\varnothing 1.5 \times 320 \text{mm}$



《金属炮管》
Metal gun barrel



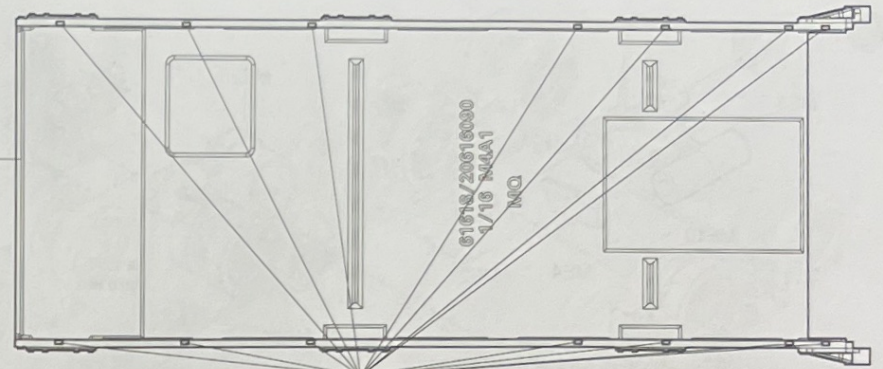
《铁轴》x165
Axle $\varnothing 1.5 \times 36.1 \text{mm}$

《弹簧 I》x12
Spring I $\varnothing 0.5 \times 07.6 \times 20 \text{mm}$

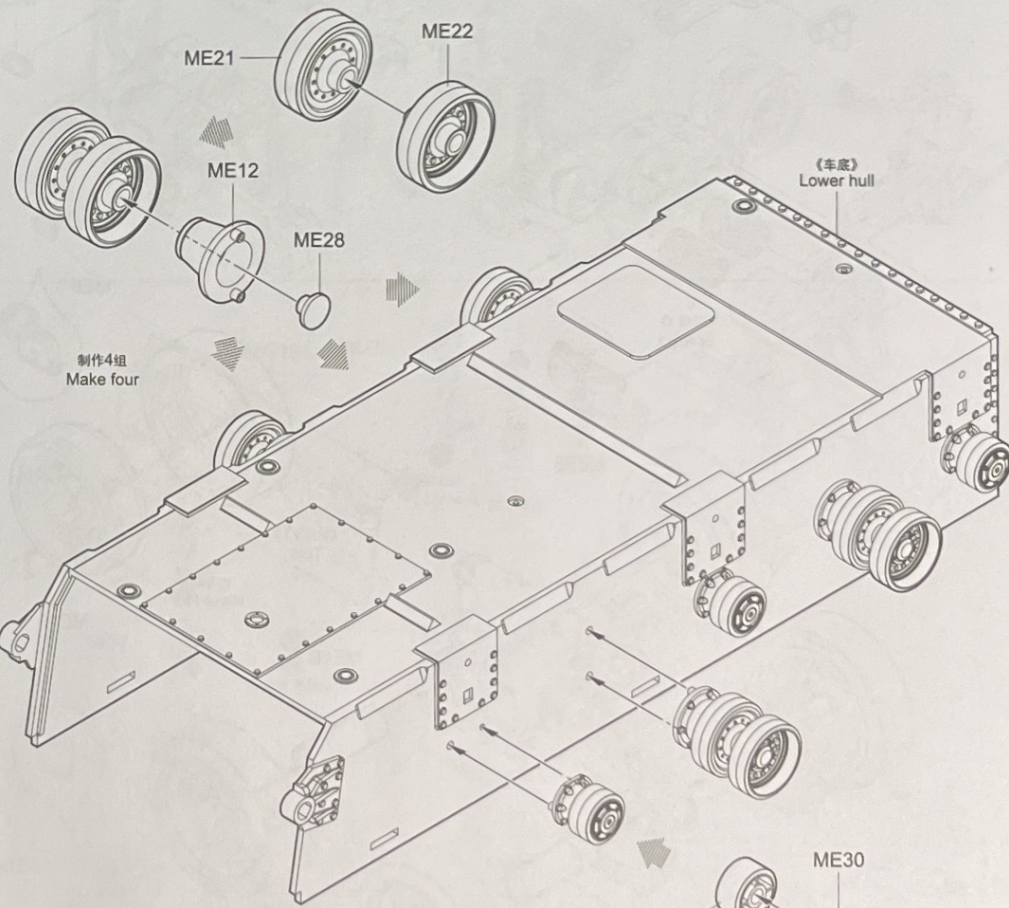
《弹簧 II》x2
Spring II $\varnothing 0.3 \times \varnothing 2.4 \times 15 \text{L}$

1

《车底》
Lower hull



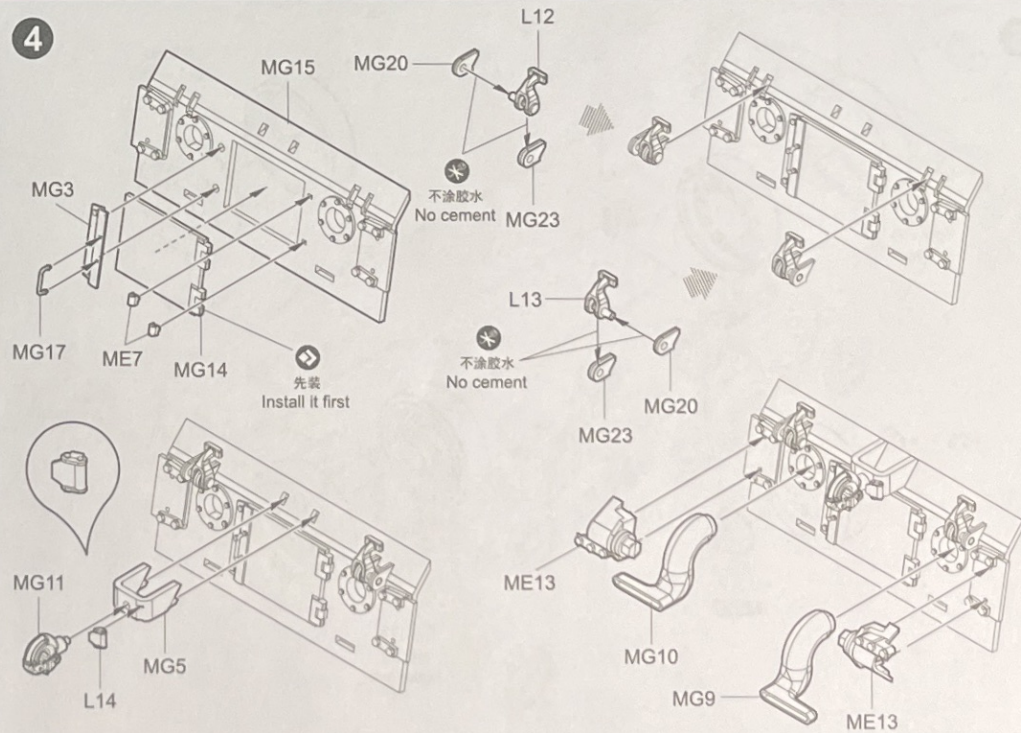
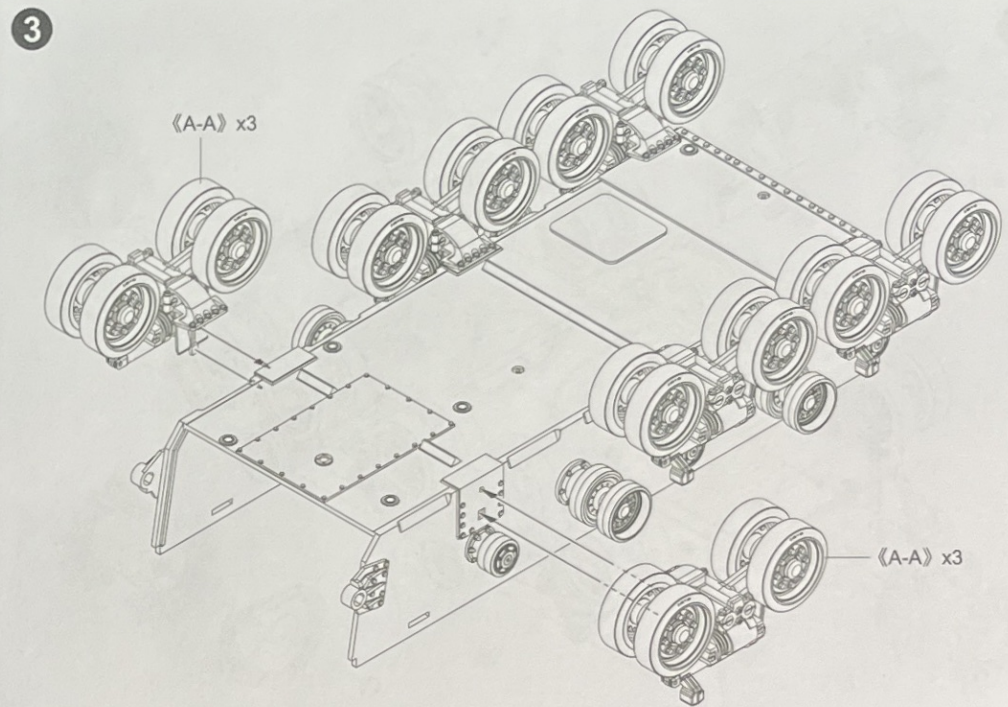
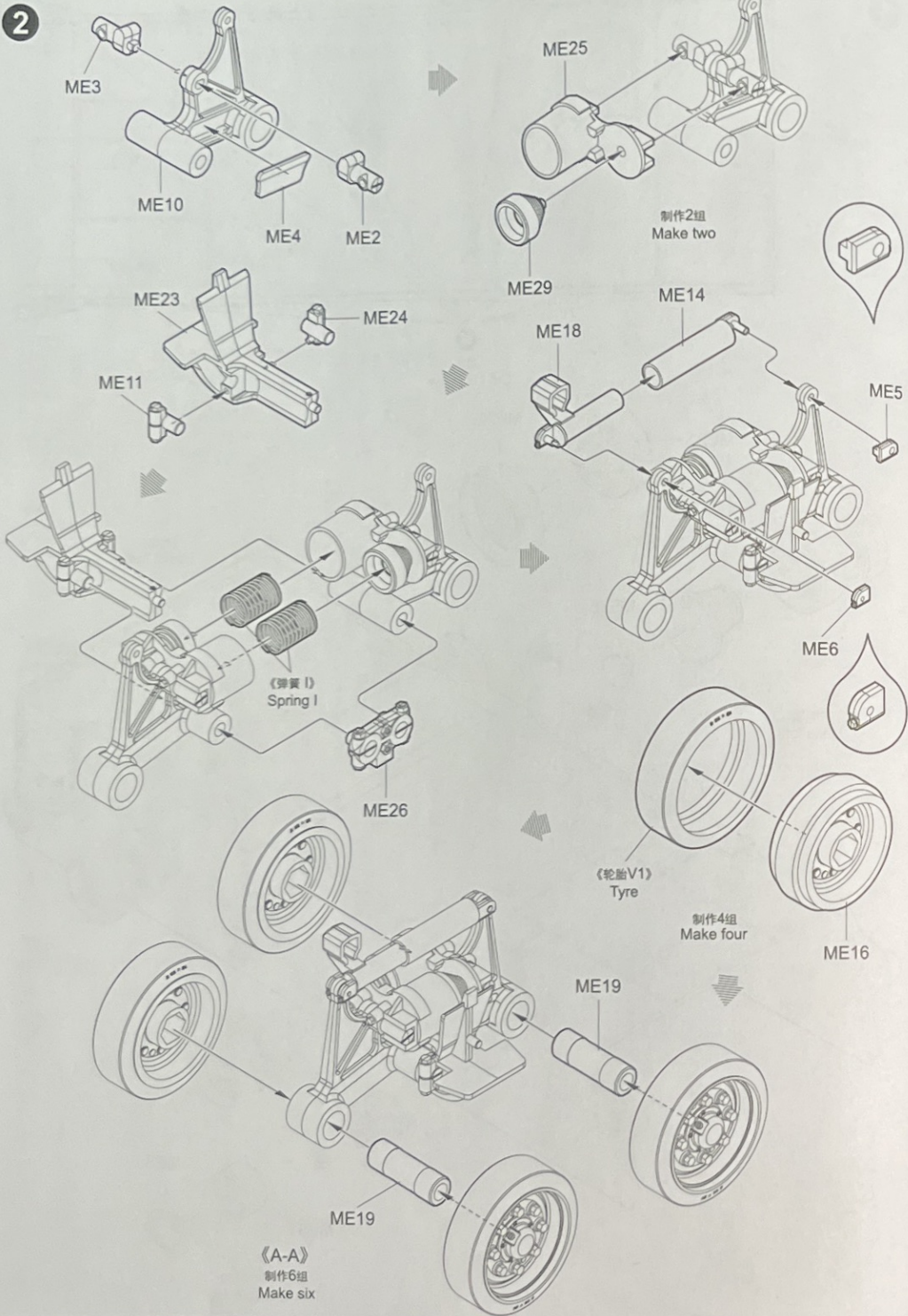
切除
Cut / Remove



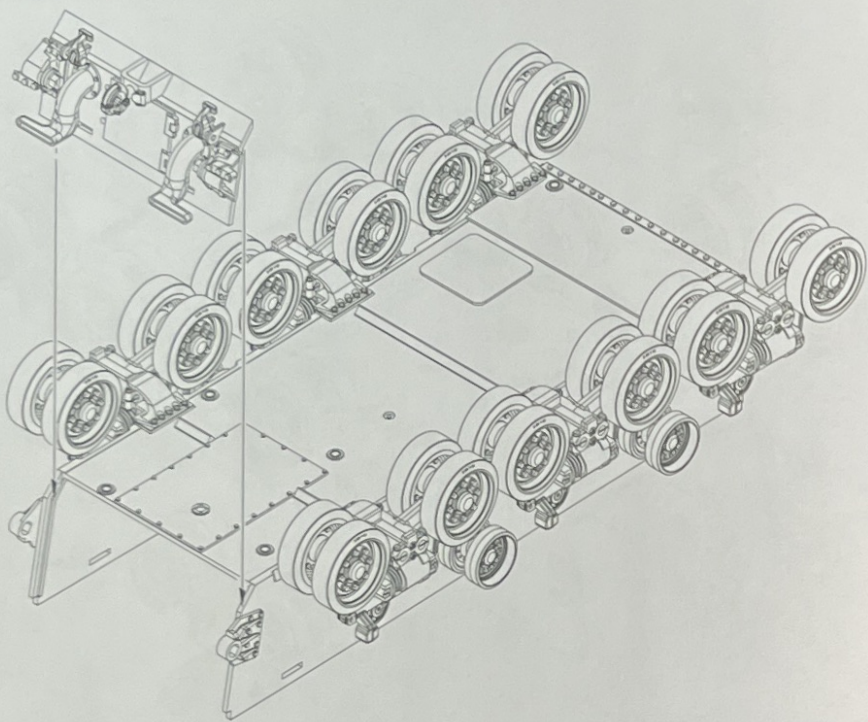
制作4组
Make four

ME30
ME31

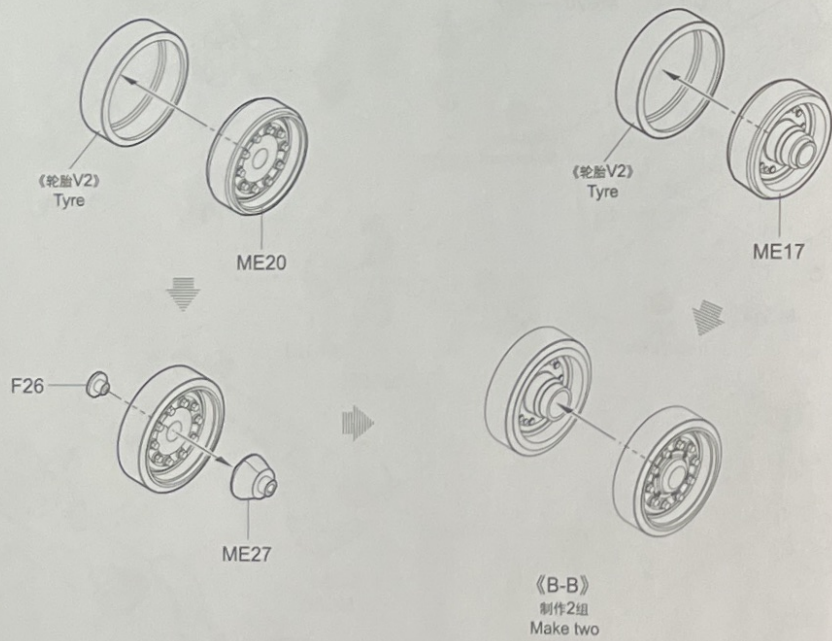
制作6组
Make six



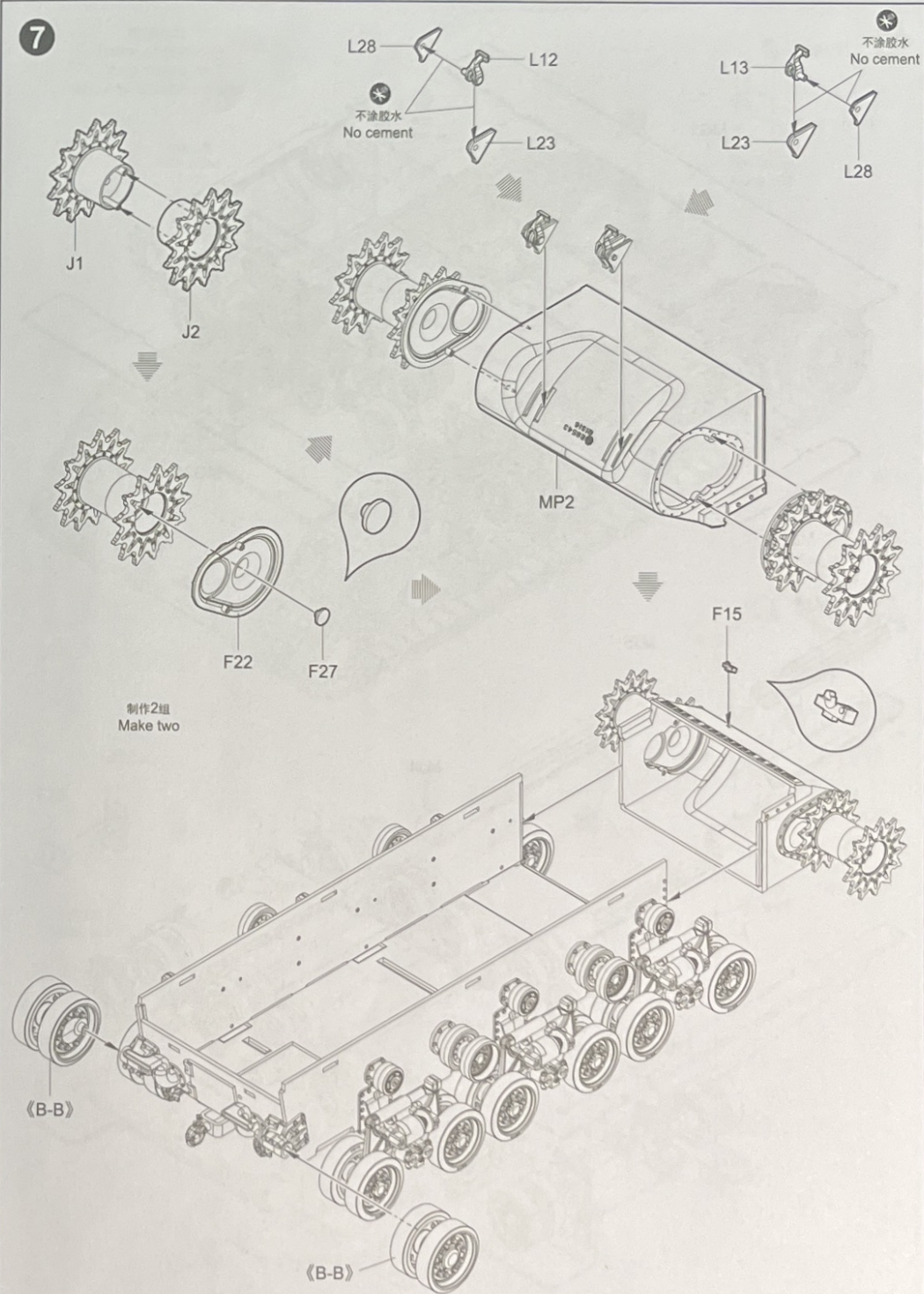
5



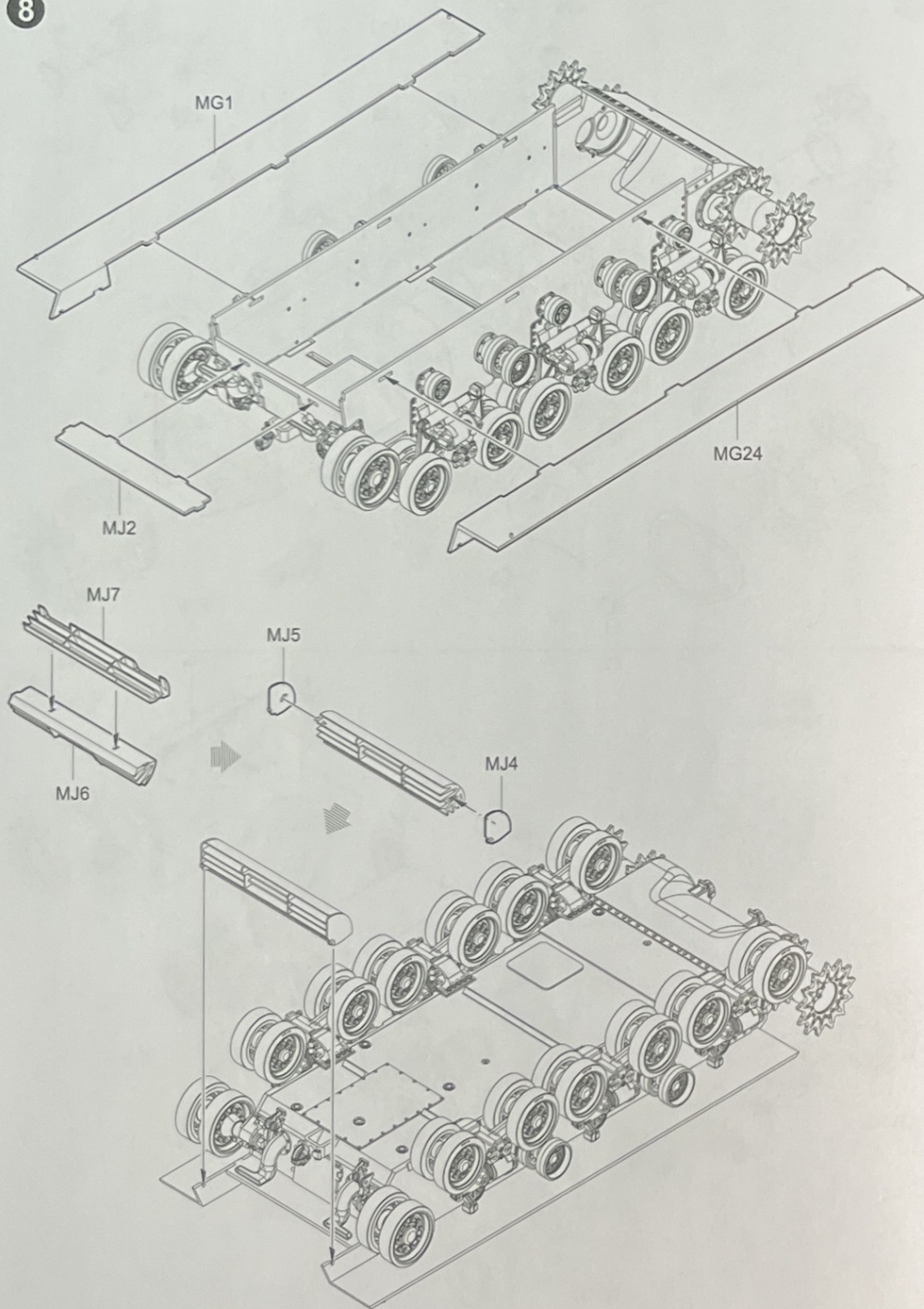
6



7



8



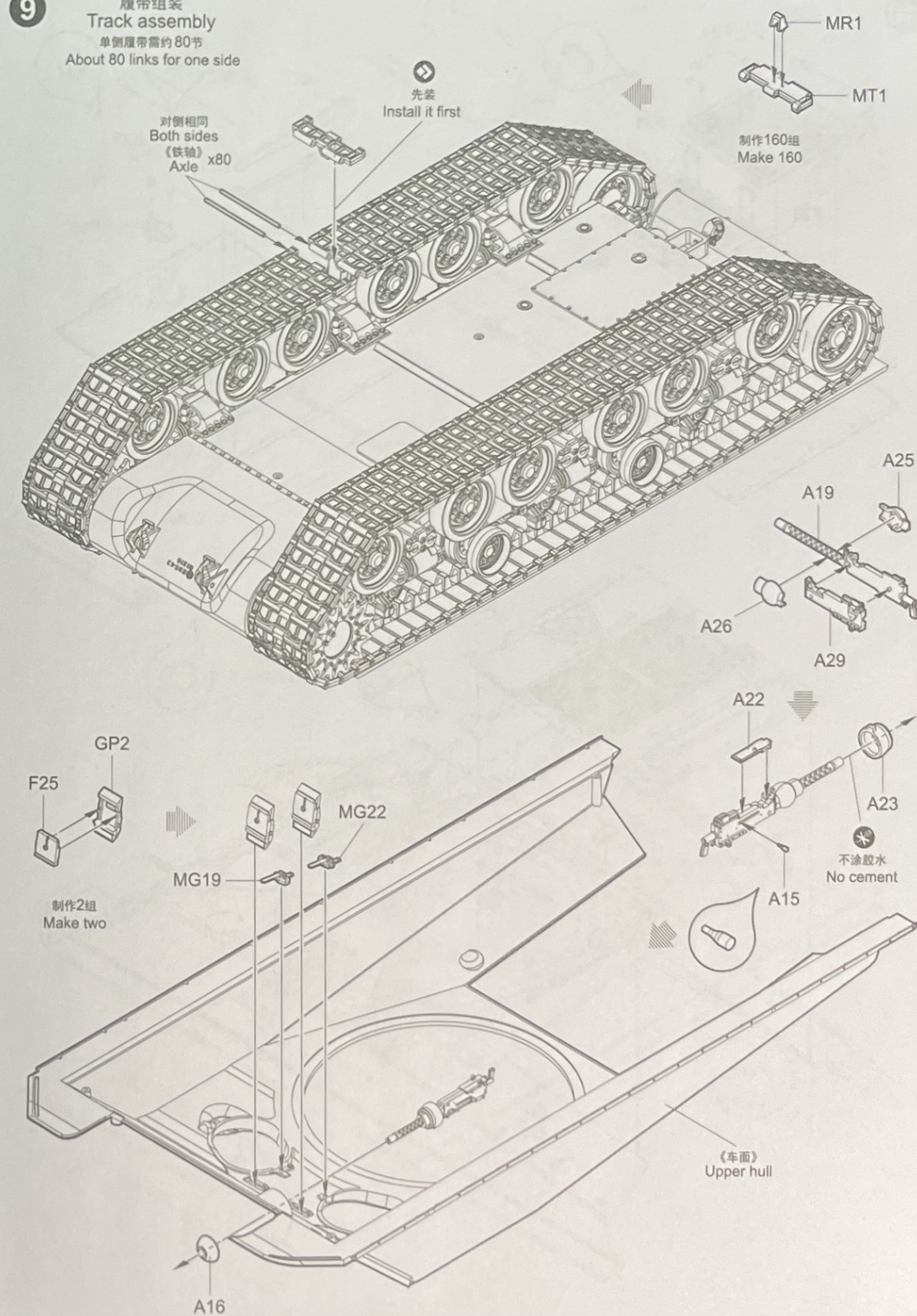
61615

8

9

履带组装
Track assembly

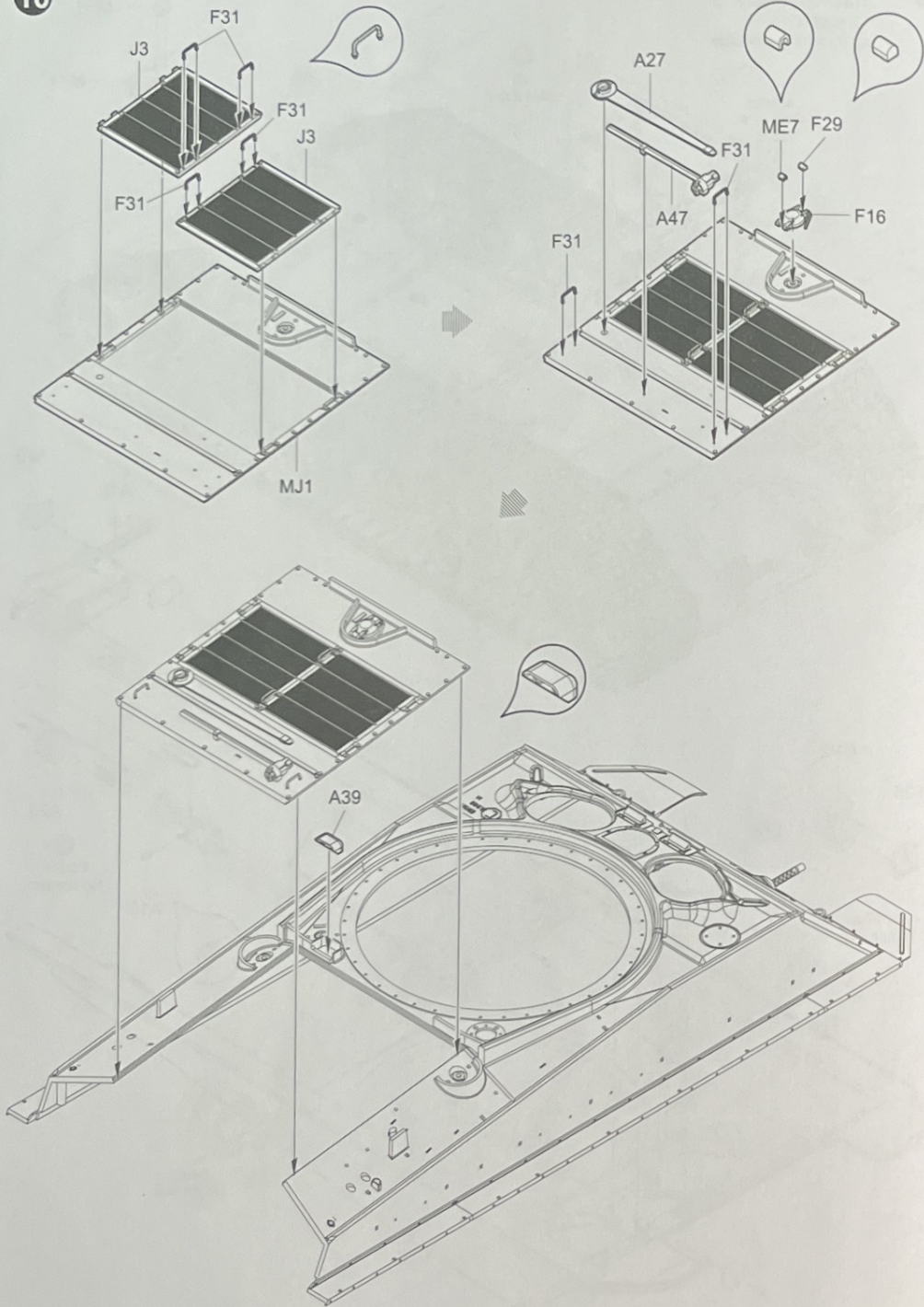
单侧履带需约80节
About 80 links for one side



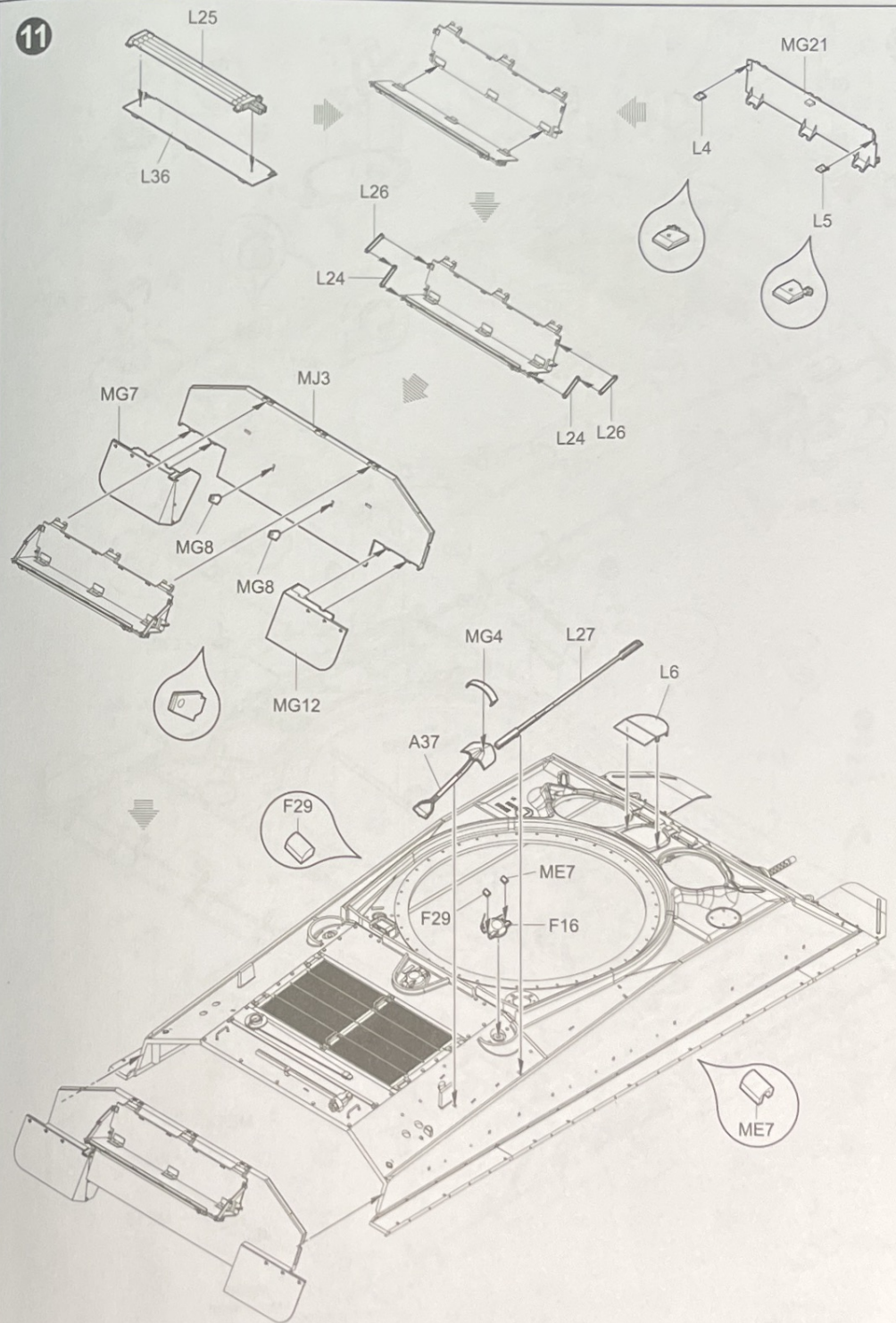
61615

9

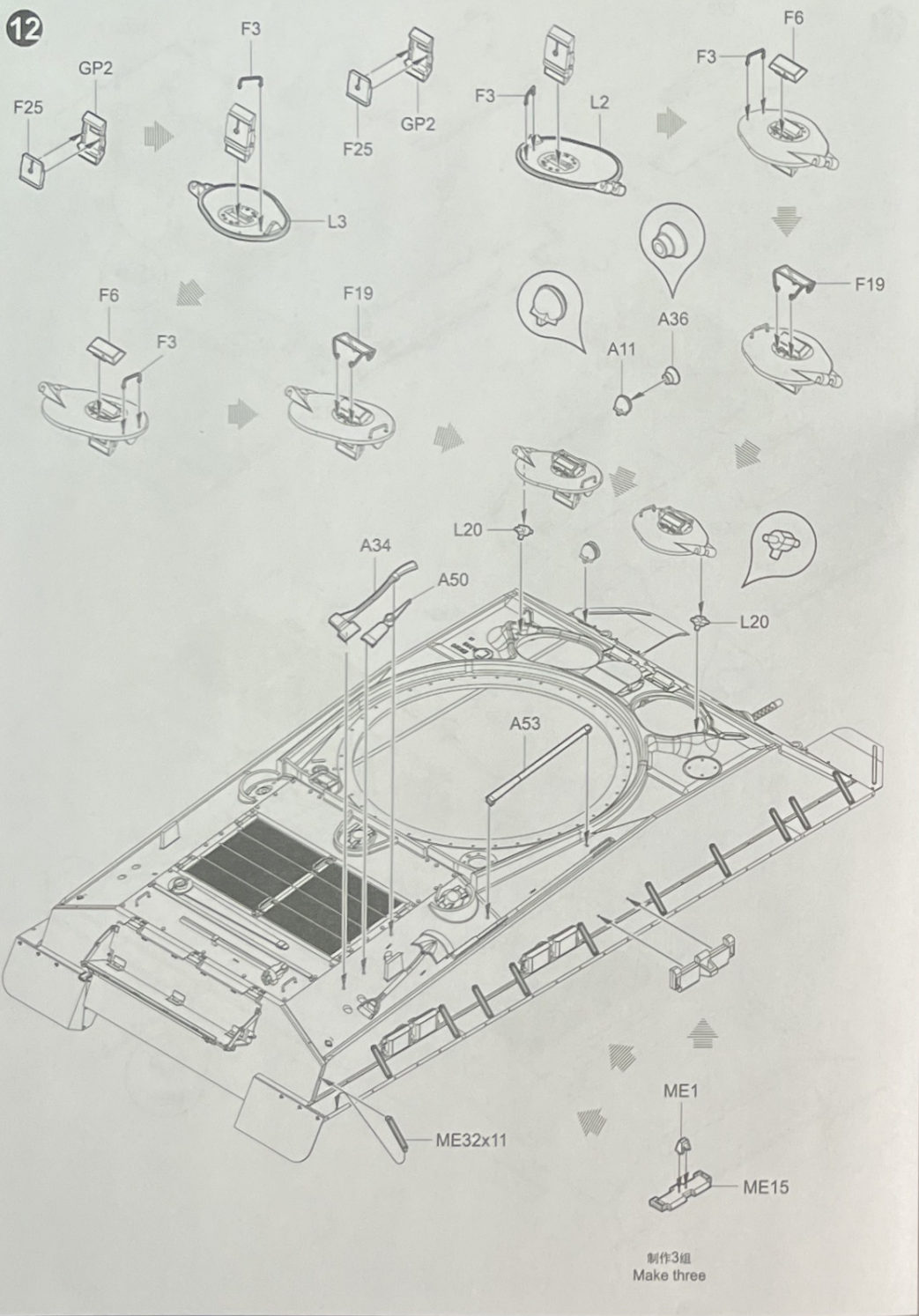
10



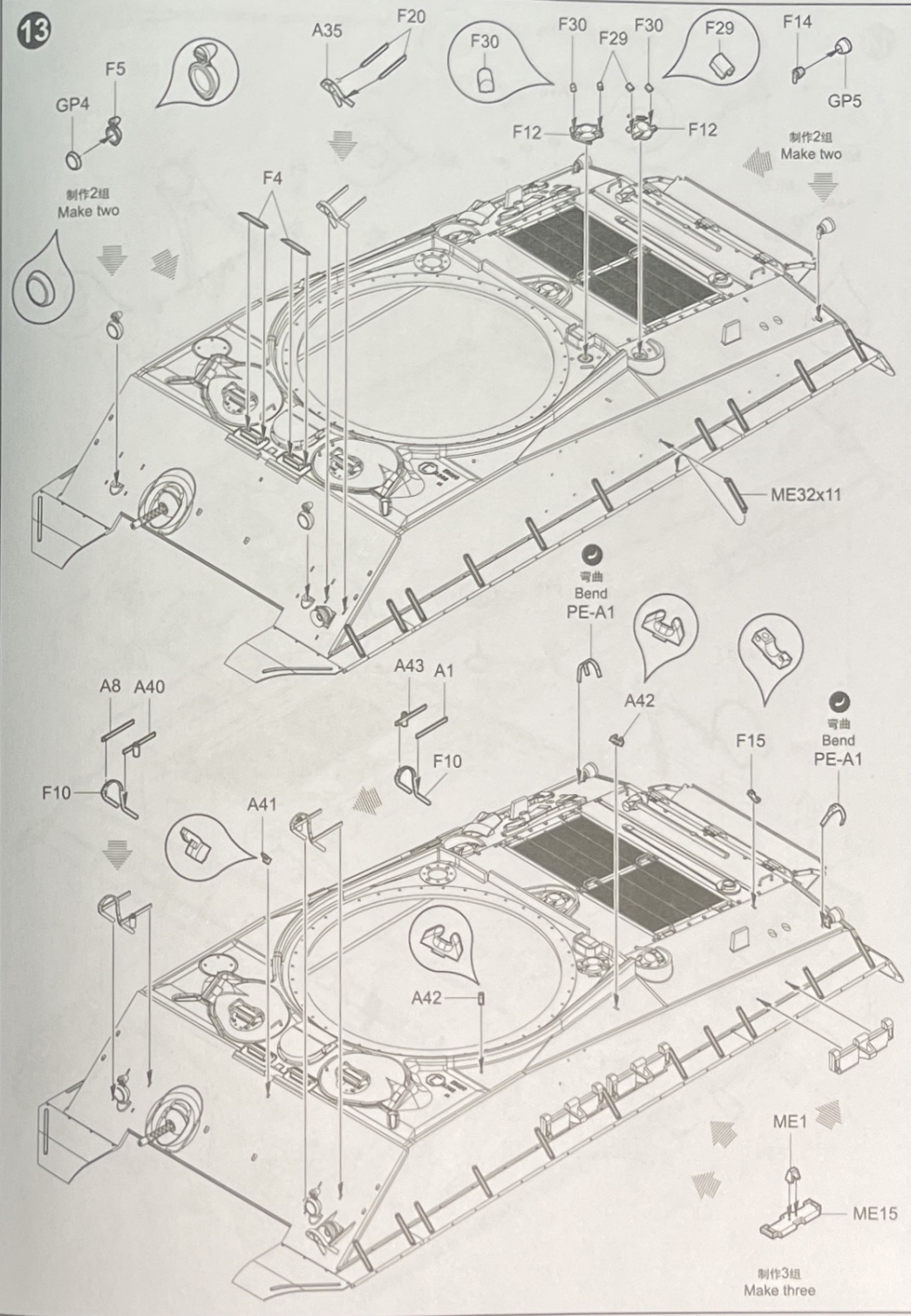
11



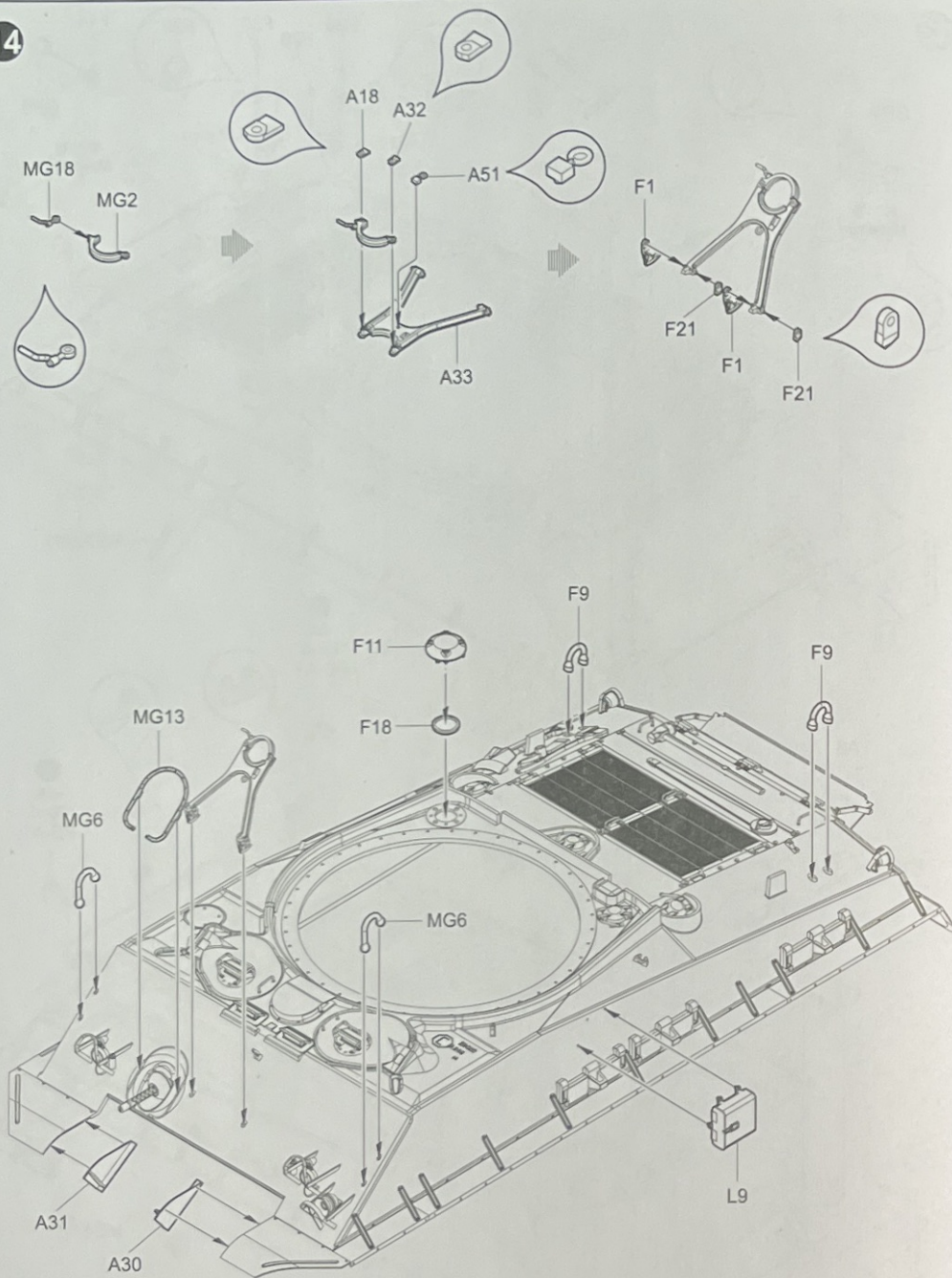
12



13



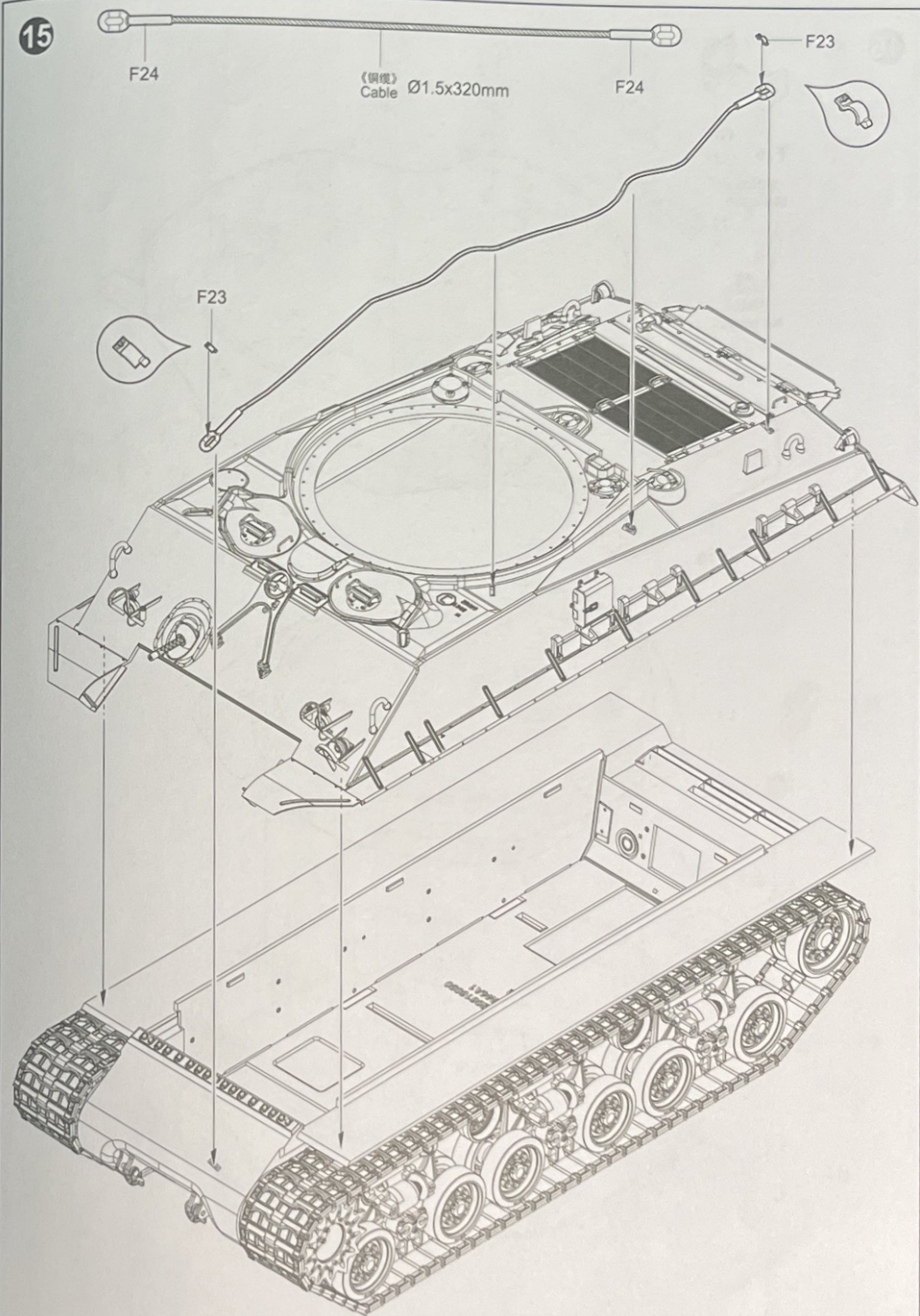
14



61615

14

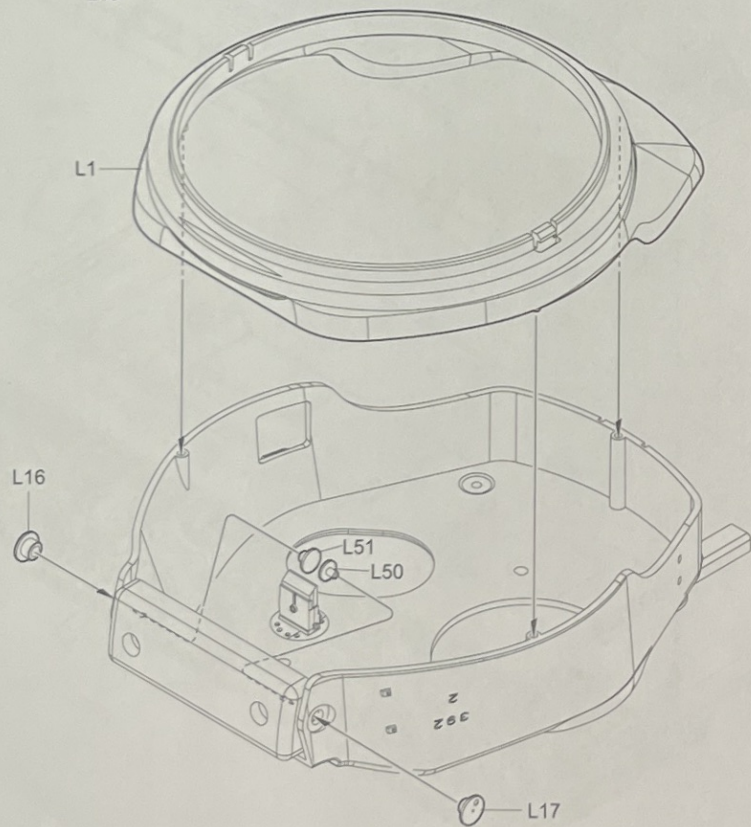
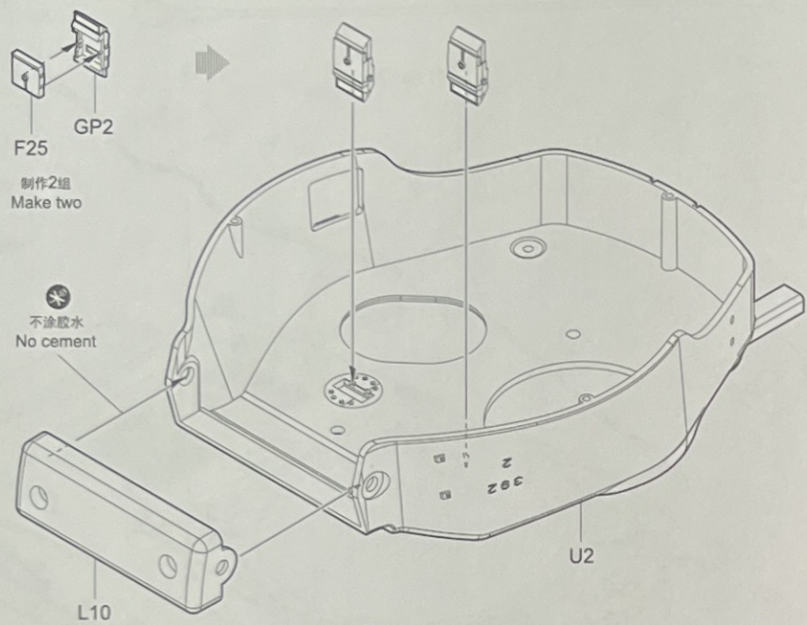
15



61615

15

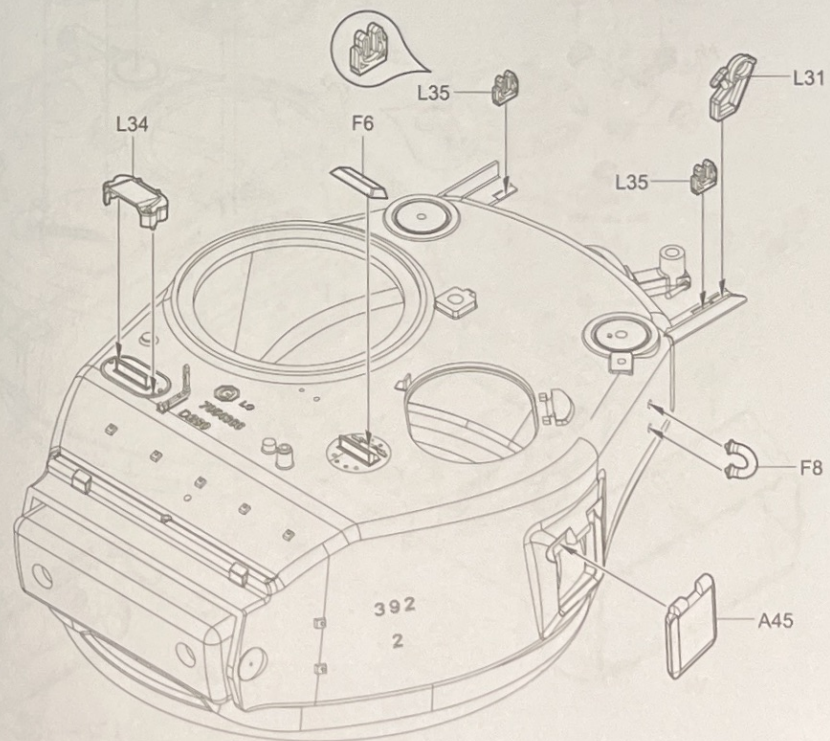
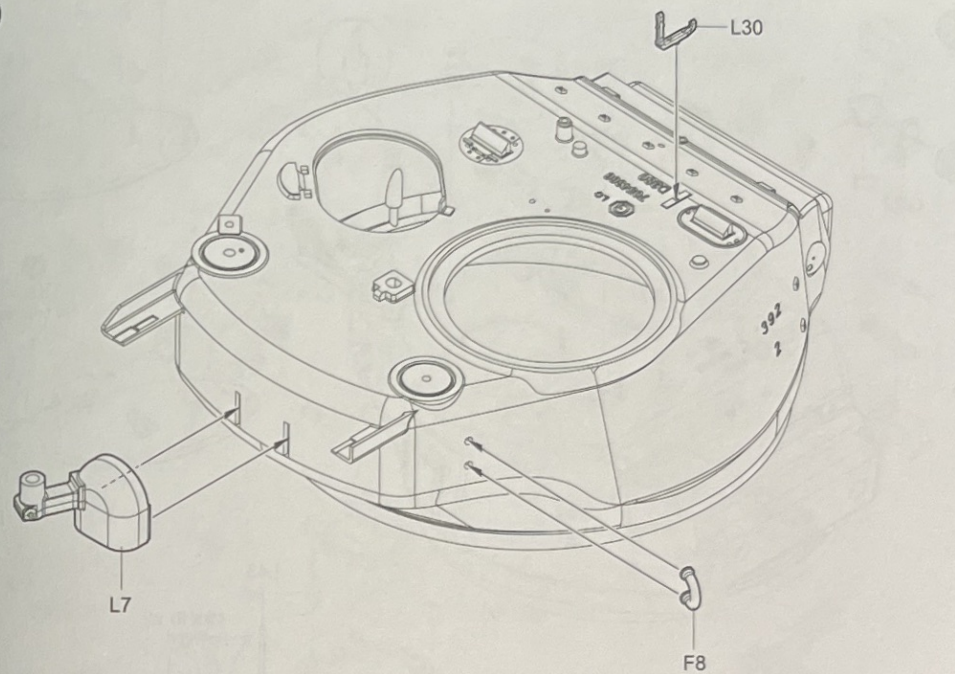
16



61615

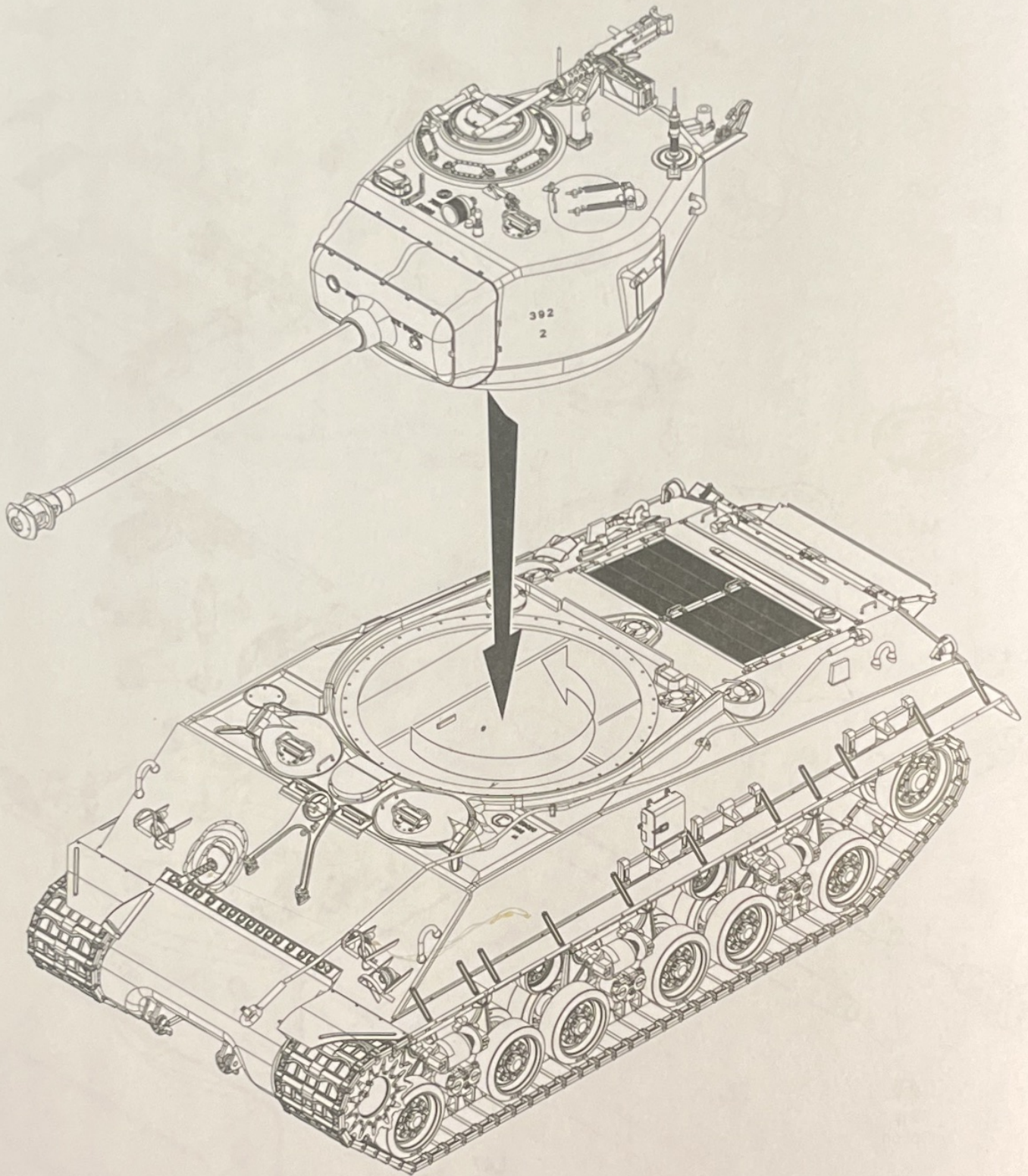
16

17



61615

17



涂装同标贴指示 Painting & Marking guide

PAINT REFERENCE COLOR

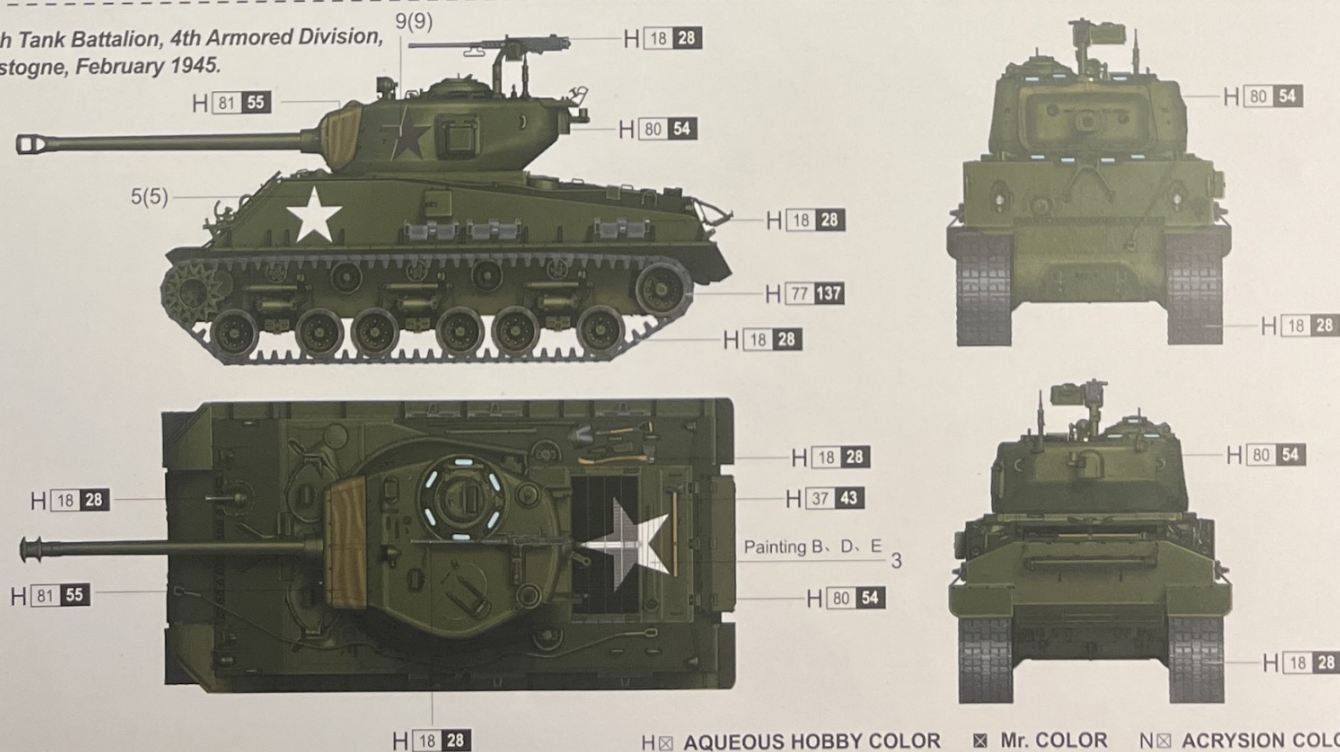
Color	Mr.Hobby	Acrycion	Vallejo	Model Master	Tamiya	Humbrol
Steel 黑铁色	H 18 28	N 18	864	1402	XF84	-
Tire Black 胎黑色	H 77 137	N 77	-	-	XF85	-
Khaki 卡其色	H 81 55	N 81	988	-	XF49	26
Wood Brown 木棕色	H 37 43	N 37	983	1701	-	186
Khaki Green 卡其绿色	H 80 54	N 80	924	-	XF51	159

A



B

35th Tank Battalion, 4th Armored Division, Bastogne, February 1945.



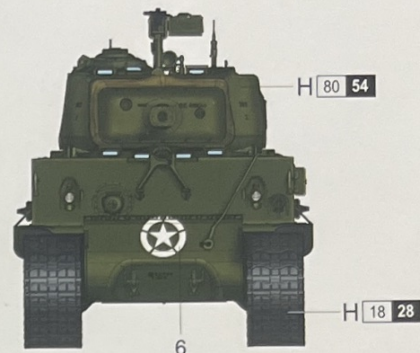
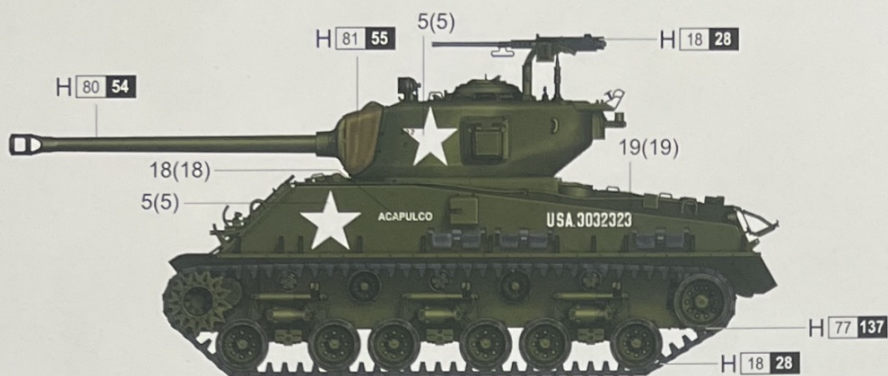
H AQUEOUS HOBBY COLOR Mr. COLOR N ACRYSION COLOR

涂装同标贴指示 Painting & Marking guide

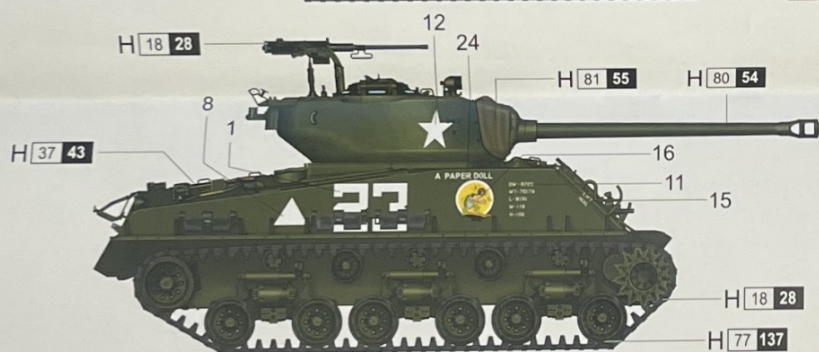
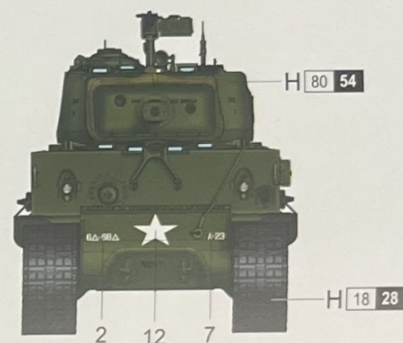
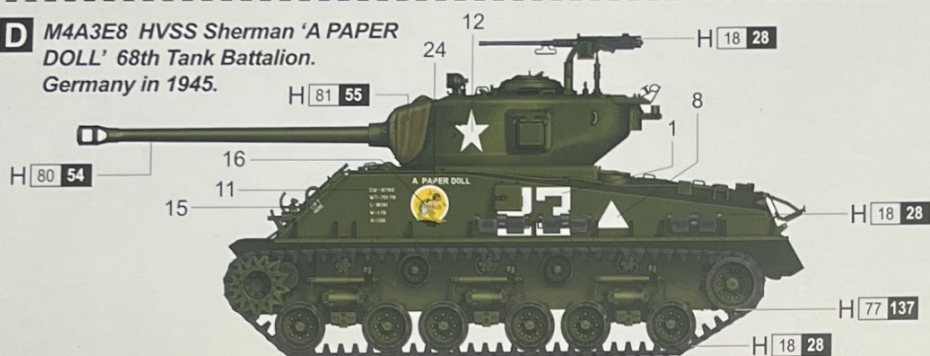
PAINT REFERENCE COLOR

Color	Mr.Hobby	Acrycion	Vallejo	Model Master	Tamiya	Humbrol
Steel 黑铁色	H 18 28	N 18	864	1402	XF84	-
Tire Black 胎黑色	H 77 137	N 77	-	-	XF85	-
Khaki 卡其色	H 81 55	N 81	988	-	XF49	26
Wood Brown 木棕色	H 37 43	N 37	983	1701	-	186
Khaki Green 卡其绿色	H 80 54	N 80	924	-	XF51	159

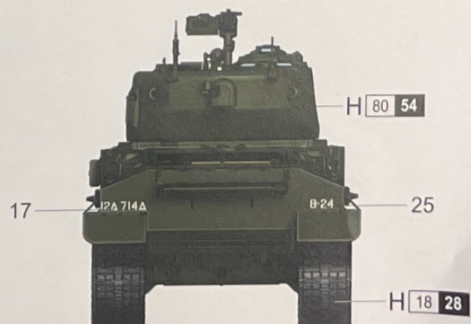
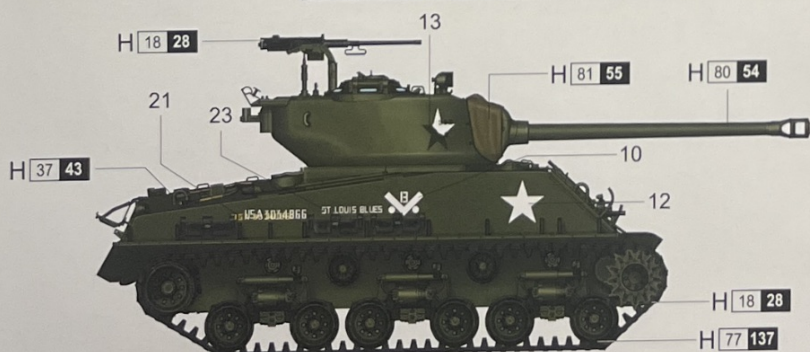
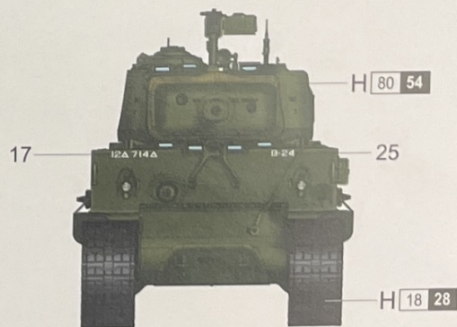
C 8th Armored Division, Kirehellen, Germany, March 1945.



D M4A3E8 HVSS Sherman 'A PAPER DOLL' 68th Tank Battalion, Germany in 1945.



E M4A3E8 HVSS Sherman 'ST. LOUIS BLUES' 714th Tank Battalion, Germany, Spring 1945.



H AQUEOUS HOBBY COLOR Mr. COLOR N ACRYSION COLOR