

MONOGRAM

KIT 5496

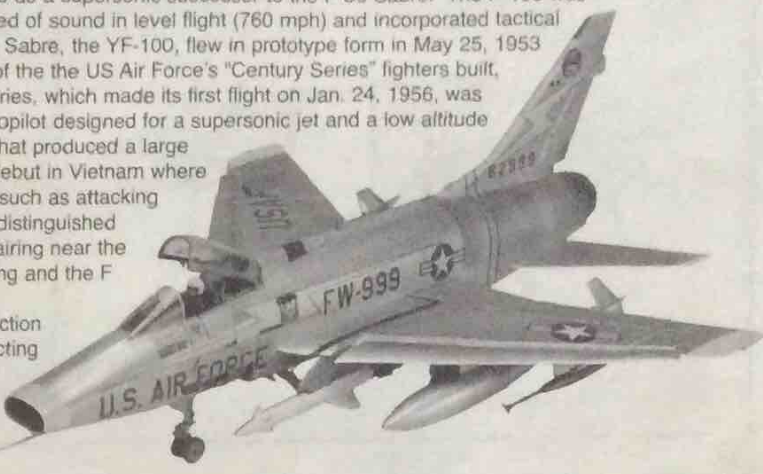
**CENTURY
SERIES**

85549600200

F-100 Super Sabre

The North American F-100 Super Sabre was designed in 1949 as a supersonic successor to the F-86 Sabre. The F-100 was the world's first production airplane capable of flying faster than the speed of sound in level flight (760 mph) and incorporated tactical lessons learned in the conflict in the Korean War (1950-1953). The first Sabre, the YF-100, flew in prototype form in May 25, 1953 at Edwards AFB, California. Of the 2,294 F-100's, which were the first of the the US Air Force's "Century Series" fighters built, 1,274 were D series, more than all the other series combined. The D series, which made its first flight on Jan. 24, 1956, was the most advanced production version. Its features included the first autopilot designed for a supersonic jet and a low altitude bombing system. Taller fin and longer wings, resulted in improvements that produced a large number of variants for several roles. The Super Sabre had its combat debut in Vietnam where it was used extensively as a fighter-bomber in ground support missions such as attacking bridges, road junctions, and troop concentrations. The F-100D is easily distinguished from the F-100A and C by the large tail warning antenna (AN/APS-54) fairing near the top of the vertical stabilizer. The A and C series had a much thinner fairing and the F series had two seats.

Your 1:48th scale Monogram kit includes a highly detailed injection molded plastic model for a F-100D and authentic silkscreen decals depicting the 409th Tactical fighter Squadron/ 31st Tactical Fighter Wing's Cpt. Walt Bruce's F-100D based at Turner AFB, Ga. as it had been seen at the Tactical Air Command Gunnery Meet in 1958. A second version depicts the 79th Tactical Fighter Squadron/ 20th Tactical Fighter Wing based at Woodridge, England.



* REPEAT SEVERAL TIMES
* A RÉPÉTER PLUSIEURS FOIS



* OPTIONAL PARTS
* PIÈCES EN OPTION



* DECAL
* DÉCAL COMMANE



* ALTERNATIVE ASSEMBLY
* ENSEMBLAGE ALTERNATIVE



* CEMENT TOGETHER
* A COLLER



* REMOVE AND THROW AWAY
* A RETIRER ET JETER



* DO NOT CEMENT
* NE PAS COLLER

READ THIS BEFORE YOU BEGIN

- Study the assembly drawings.
- Each plastic part is identified by a number.
- For better paint and decal adhesion, wash the plastic parts in a mild detergent solution. Rinse and let air dry.
- Check the fit of each piece before cementing in place.
- Use only cement for polystyrene plastic.
- Scrape plating and paint from areas to be cemented.
- Allow paint to dry thoroughly before handling parts.
- Any unused parts may be discarded.

DECAL APPLICATION INSTRUCTIONS

1. Cut desired decal from sheet.
2. Dip decal in water for a few seconds.
3. Place wet decal on paper towel.
4. Wait until decal is movable on paper backing.
5. Place decal in position on model, face up and slide backing away.
6. Press out air bubbles with a soft damp cloth.
7. Milkyness that may appear is for better decal adhesion and will dry clear. Wipe away any excess adhesive.
8. Do not touch decal until fully dry.
9. Allow the decals 48 hours to dry before applying clear coat.

NOTE: Decals are compatible with setting solutions or solvents.

LIRE CE QUI SUIT AVANT DE COMMENCER

- Etudier les schémas de montage.
- Chaque pièce en plastique est identifiée par un numéro.
- Pour une meilleure prise de la peinture et des autocollants, laver les pièces en plastique avec une solution détergente peu concentrée. Les rincer et les laisser sécher à l'air.
- Vérifier que chaque pièce s'ajuste bien avant de la coller en place.
- N'utiliser que de la colle pour polystyrène.
- Gratter les parties à coller pour enlever le chrome et la peinture.
- Laisser la peinture bien sécher avant de manipuler les pièces.
- Toute pièce inutilisée peut être jetée.

DIRECTIVES D'APPLICATION DES AUTOCOLLANTS

1. Découper l'autocollant désiré de la feuille.
2. Tremper l'autocollant dans de l'eau pendant quelques secondes.
3. Placer l'autocollant mouillé sur une serviette en papier.
4. Attendez que l'autocollant puisse être déplacé sur son support en papier.
5. Mettre l'autocollant en position sur le modèle face sur le dessus et faire glisser le support pour l'enlever.
6. Appuyer avec un chiffon doux humide pour éliminer les bulles d'air.
7. La substance laiteuse qui peut apparaître est destinée à améliorer l'adhésion de l'autocollant et devient incolore au séchage. Essuyer pour enlever tout excédent d'adhésif.
8. Ne pas toucher l'autocollant tant qu'il n'est pas bien sec.
9. Laisser l'autocollant sécher pendant 48 heures avant d'appliquer une couche transparente.

REMARQUE: Les autocollants sont compatibles avec les solutions de fixation ou les solvants.

This paint guide is provided to complete this kit as shown on the box.

Ce guide de peinture est fourni pour reproduire le modèle réduit qui apparaît sur la boîte.

Aluminum	Aluminium
Dark Gray FS 36152	Gris foncé
Flat Black	Noir mat
Flat Red FS 31350	Rouge mat
Gloss Dark Blue	Bleu foncé lustré
Gloss Gray FS 16473	Gris lustré
Gloss Green	Vert lustré
Gloss Red	Rouge lustré
Gloss White	Blanc lustré
Gunmetal	Bronze
Insignia Red	Rouge emblème
Insignia Yellow	Jaune emblème
Interior Green FS 34151	Vert intérieur
Jet Exhaust	Flux d'éjection
Light Gray FS 36463	Gris clair
Gloss Light Yellow	Jaune clair lustré
Medium Field Green FS 34097	Vert champêtre moyen
Olive Drab FS 34096	Olivet
Silver	Argent

If you have any questions or comments, call our hotline at: **(800) 833-3570**
or, please write to:

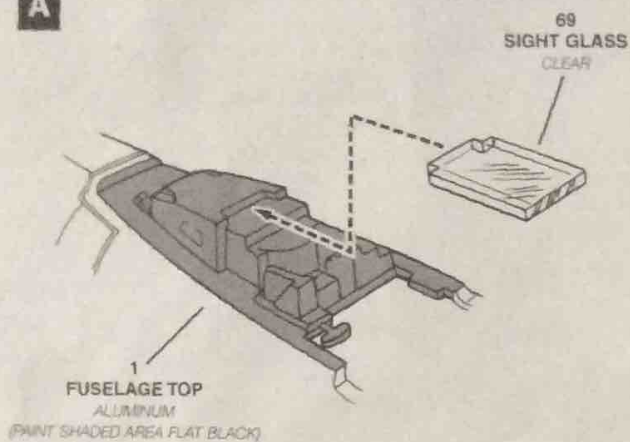
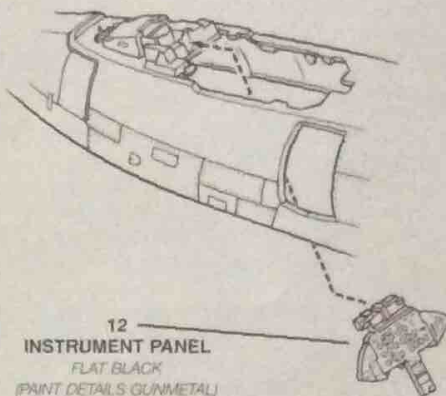
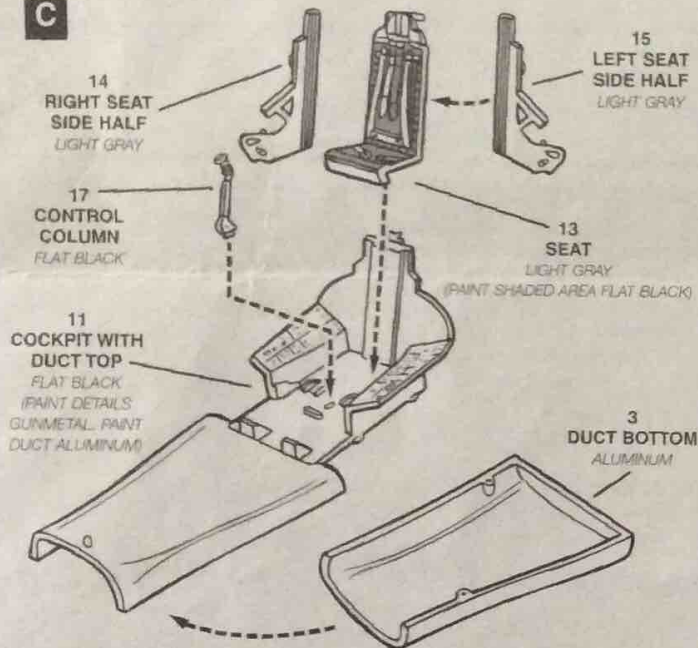
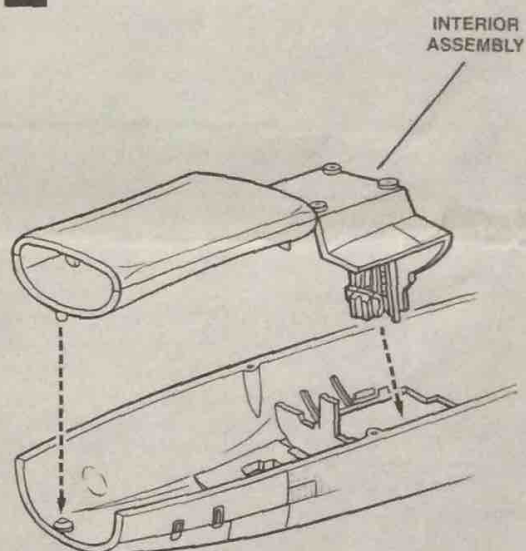
Revell-Monogram Consumer Service Department, 8601 Waukegan Road, Morton Grove, Illinois 60053

Be sure to include the plan number (85549600200), part number, description, your return address and phone number.

Visit our website: www.revell-monogram.com

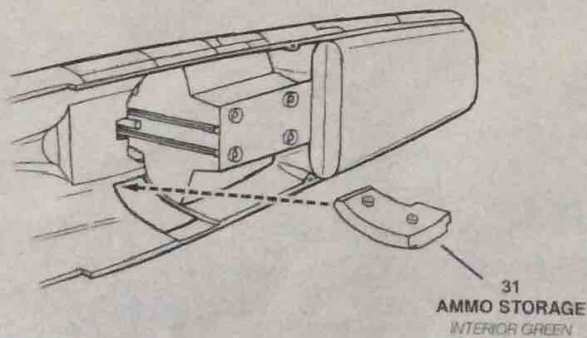
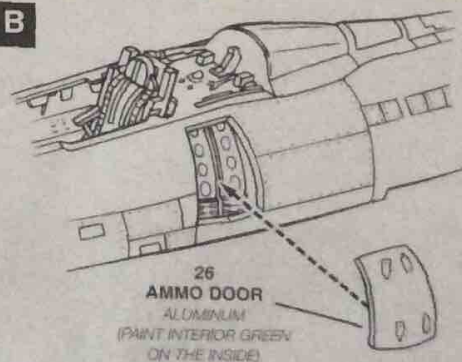
1

COCKPIT ASSEMBLY

A**B****C****D**

2

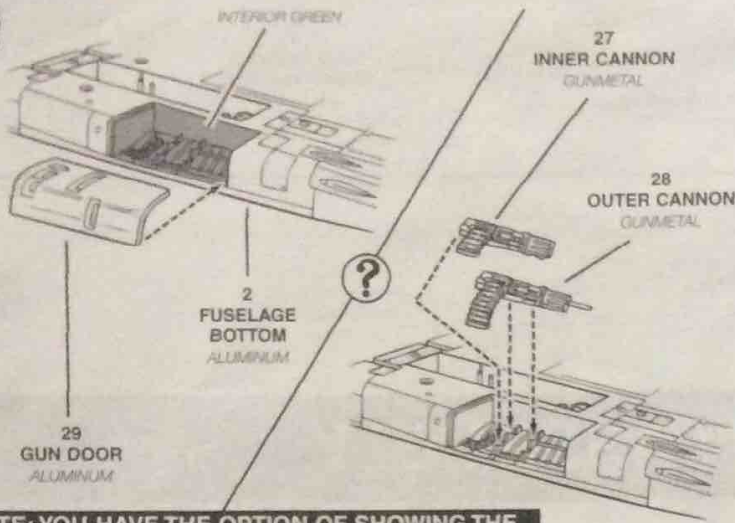
GUN AND LIGHT ASSEMBLY

A**B**

2

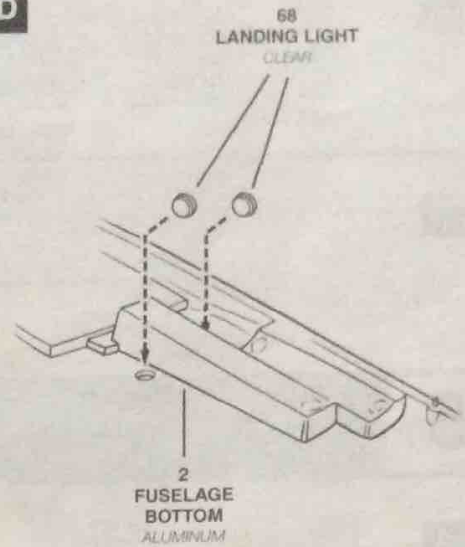
GUN AND LIGHT ASSEMBLY CONTINUED

C



NOTE: YOU HAVE THE OPTION OF SHOWING THE CANNONS EXPOSED FOR GROUND MAINTENANCE

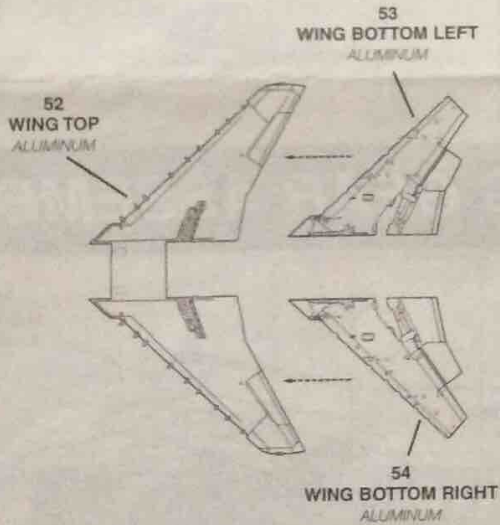
D



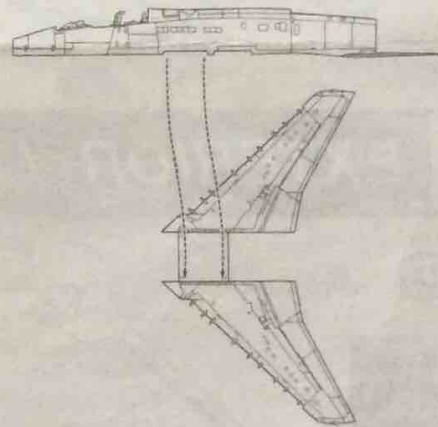
3

WING ASSEMBLY

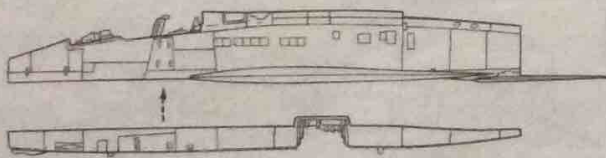
A



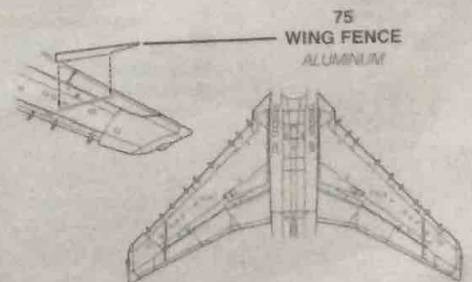
B



C



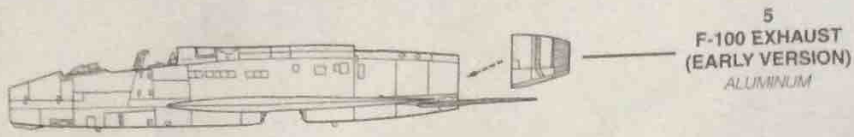
D (2X)



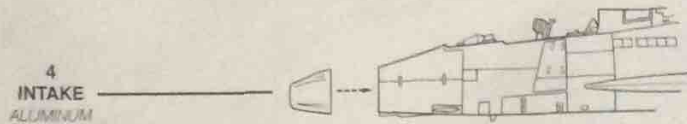
4

ENGINE ASSEMBLY

A



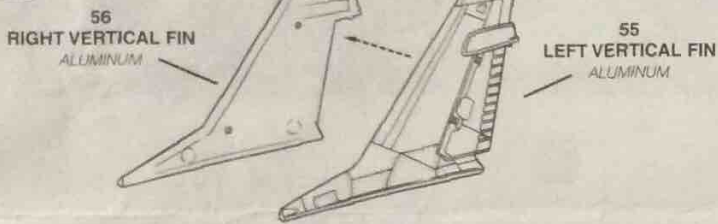
B



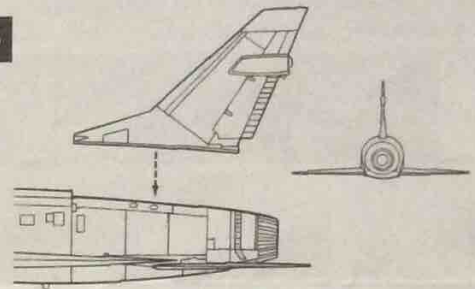
5

FIN ASSEMBLY

A



B



6

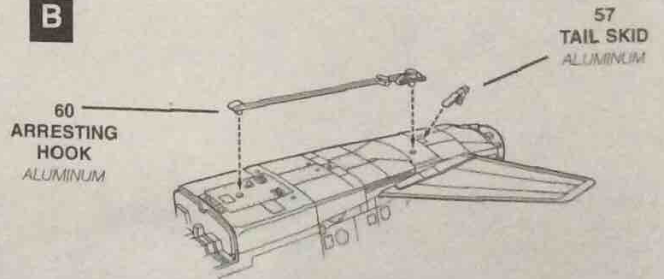
EXTERIOR / LANDING GEAR ASSEMBLY

A (2X)

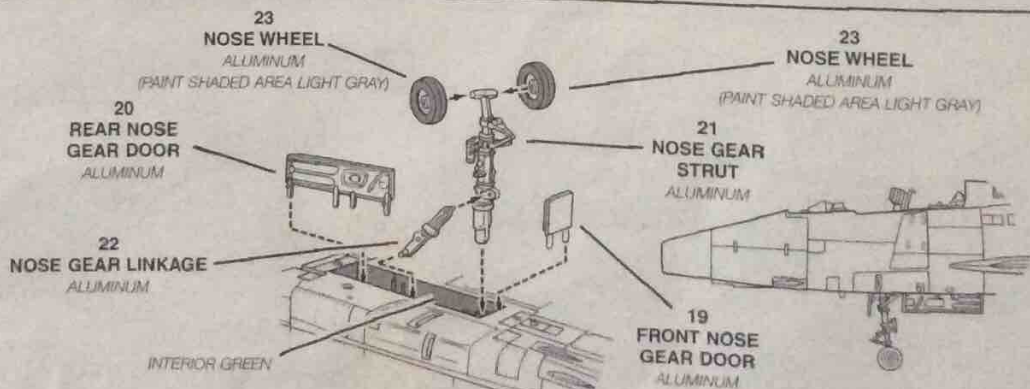
REPEAT FOR
OTHER SIDE
USING
24
RIGHT SLAT



B



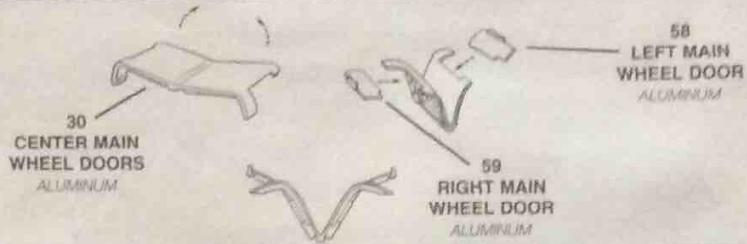
C



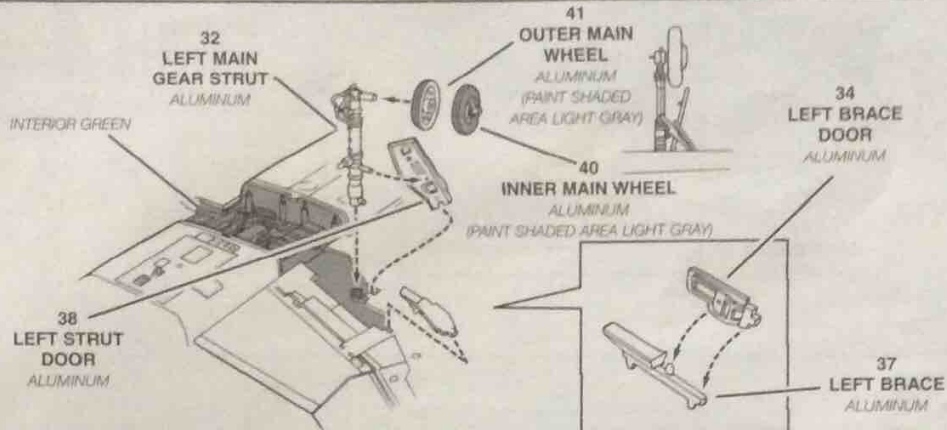
6

EXTERIOR / LANDING GEAR ASSEMBLY CONTINUED

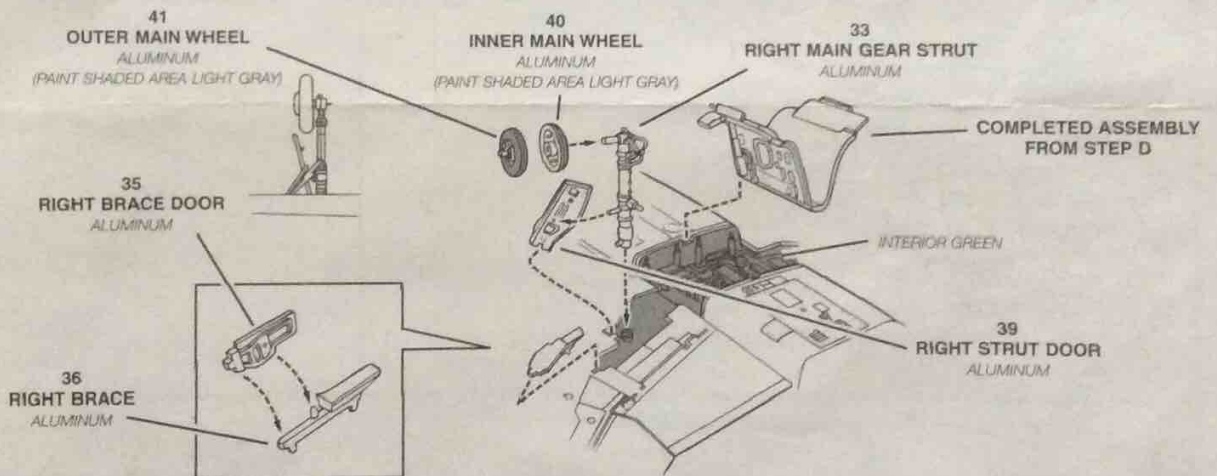
D



E



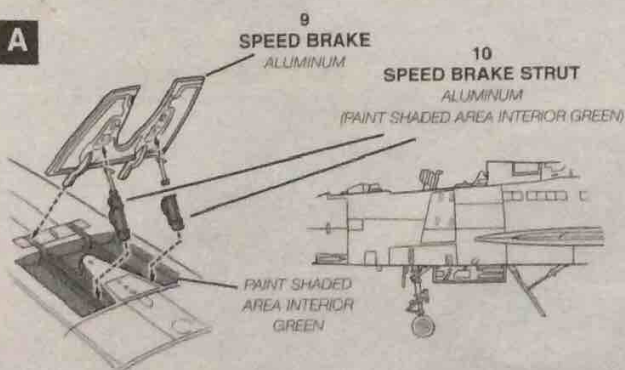
F



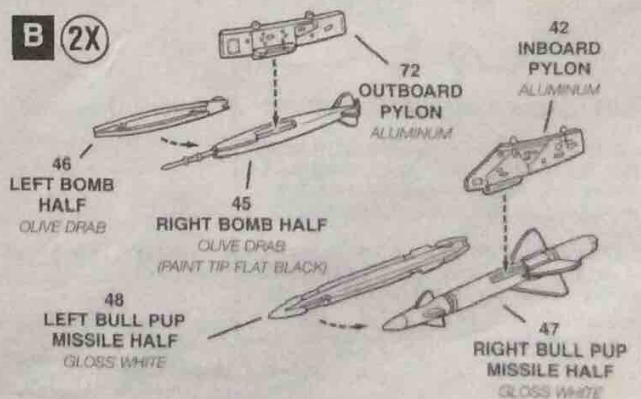
7

FINAL ASSEMBLY

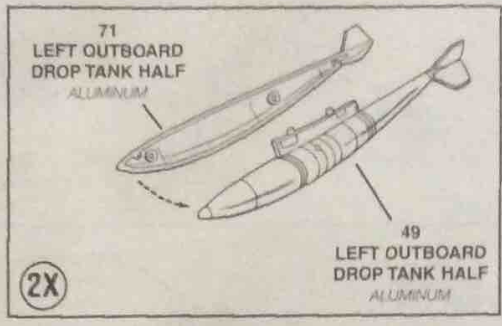
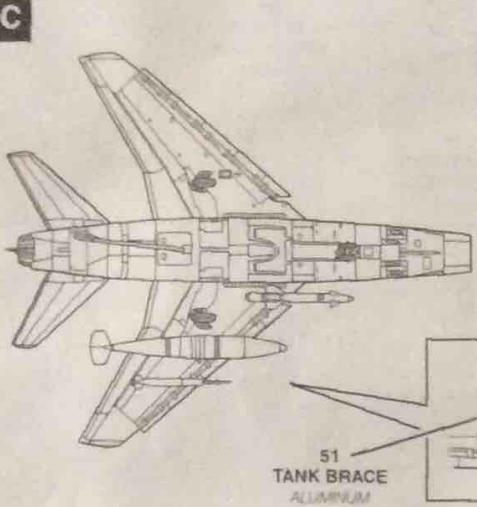
A



B (2X)



C



51 TANK BRACE ALUMINUM

2X

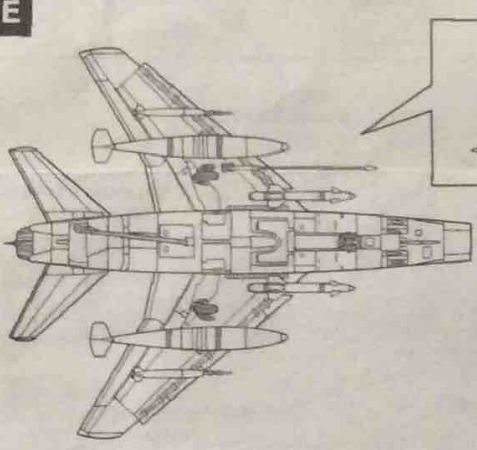
D



64 LADDER GLOSS LIGHT YELLOW

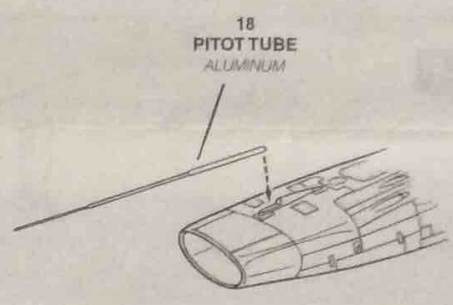
65 LADDER BRACE GLOSS LIGHT YELLOW

E



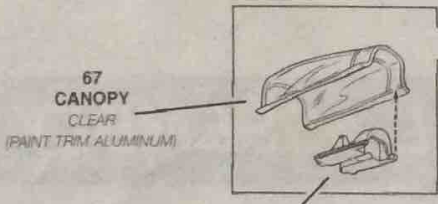
8 IFR PROBE LIGHT GRAY

F



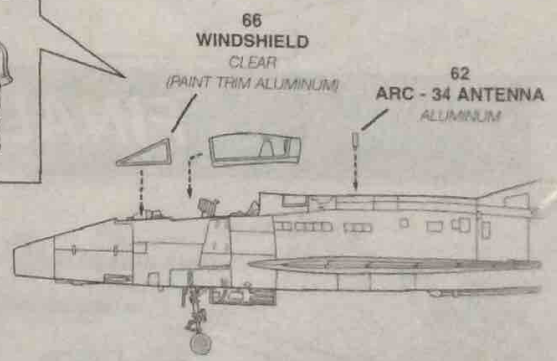
18 PITOT TUBE ALUMINUM

G



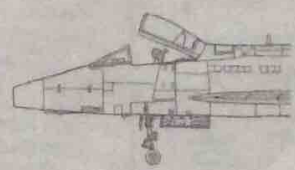
67 CANOPY CLEAR (PAINT TRIM ALUMINUM)

16 CANOPY INTERIOR FLAT BLACK



66 WINDSHIELD CLEAR (PAINT TRIM ALUMINUM)

62 ARC - 34 ANTENNA ALUMINUM

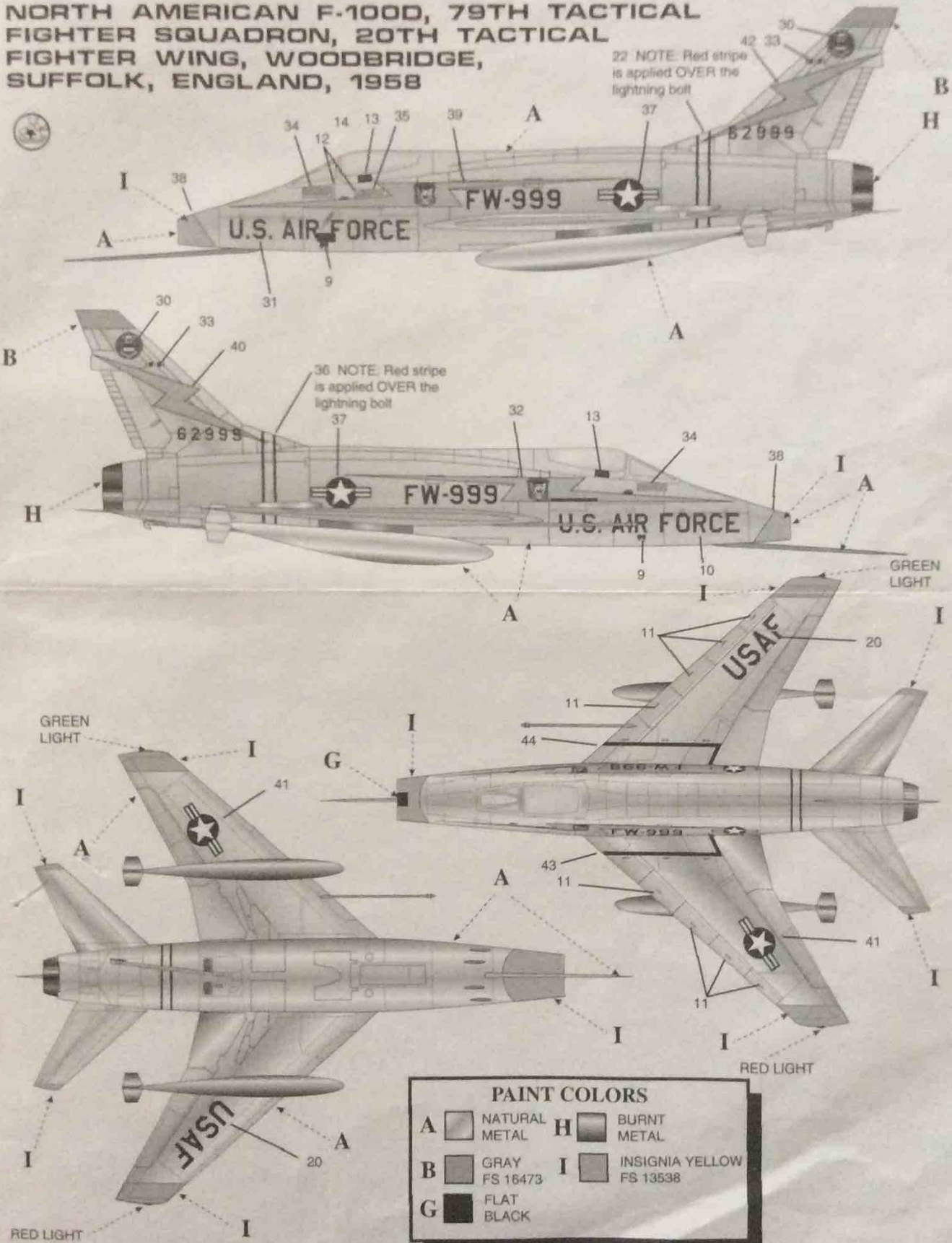


?

NOTE: OPTIONAL PAINTING FOR FIGURES
 PILOT PAINTING - WHITE HELMET WITH BLACK TRIM, OLIVE DRAB SUIT, LIGHT GRAY PARACHUTE STRAPS WITH SILVER BUCKLES, BLACK MASK AND HOSE, BLACK BOOTS.
 CREWMAN PAINTING - OLIVE DRAB COVERALLS, BLACK HEADSET, BLACK BELT AND SHOES, LIGHT GRAY RAG, SILVER TOOLS.

DECAL GUIDE

NORTH AMERICAN F-100D, 79TH TACTICAL FIGHTER SQUADRON, 20TH TACTICAL FIGHTER WING, WOODBRIDGE, SUFFOLK, ENGLAND, 1958



NORTH AMERICAN F-100D, 31ST TACTICAL FIGHTER WING, GEORGE AIR FORCE BASE, CALIFORNIA, 1958.

