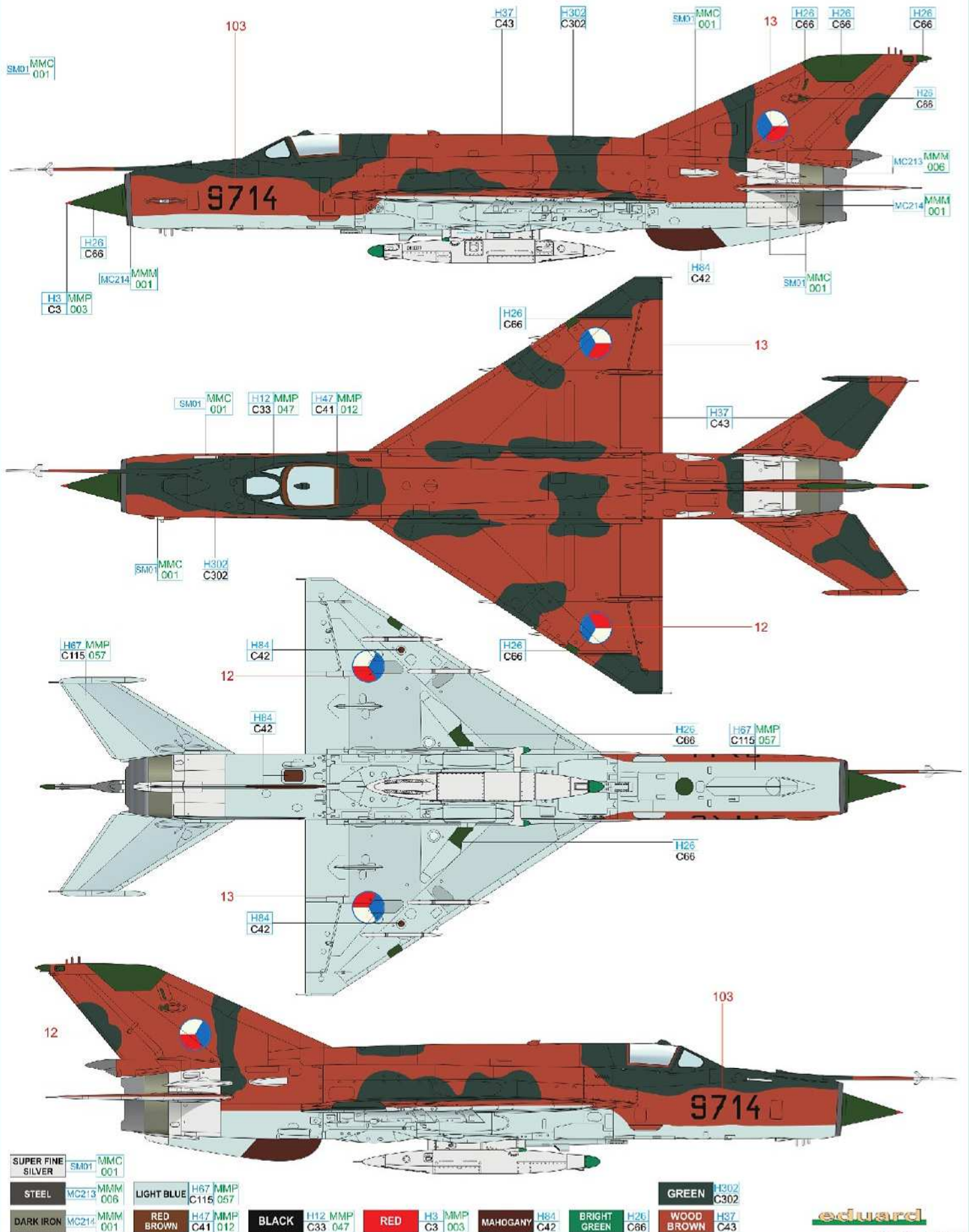


A No. 9714, 1st slp, České Budějovice, Czechoslovakia, 1988/ 1989

This aircraft served with the majority of fighter regiments in the Czechoslovak Air Force. First, it was assigned to the 4th slp (Fighter Air Regiment) in Pardubice (1974-1985), followed by service with the 9th slp in Bechyně (1985) and the 5th slp at Lině. Its ability to carry the SPS-141 ECM pod took it from Planá in České Budějovice to the 3rd Squadron of the 1st slp together with the MiG coded 9709. Between 1989 and 1991 it served with the 8th slp in Brno. From 1991 up to the breakup of Czechoslovakia, it was with the 81st sslt (Independent Fighter Squadron) at Sliač. It was retained by the Czech Air Force after the division of assets between the Czech and Slovak republics. It ended its career with the 82nd sslt at Mošnov and was retired in 1993.



SUPER FINE SILVER	SM01	MMC 001
STEEL	MC213	MMM 006
DARK IRON	MC214	MMM 001
LIGHT BLUE	H67 MMP C115 057	
RED	H47 MMP C41 012	

BLACK	H12 MMP C33 047
RED	H3 MMP C3 003

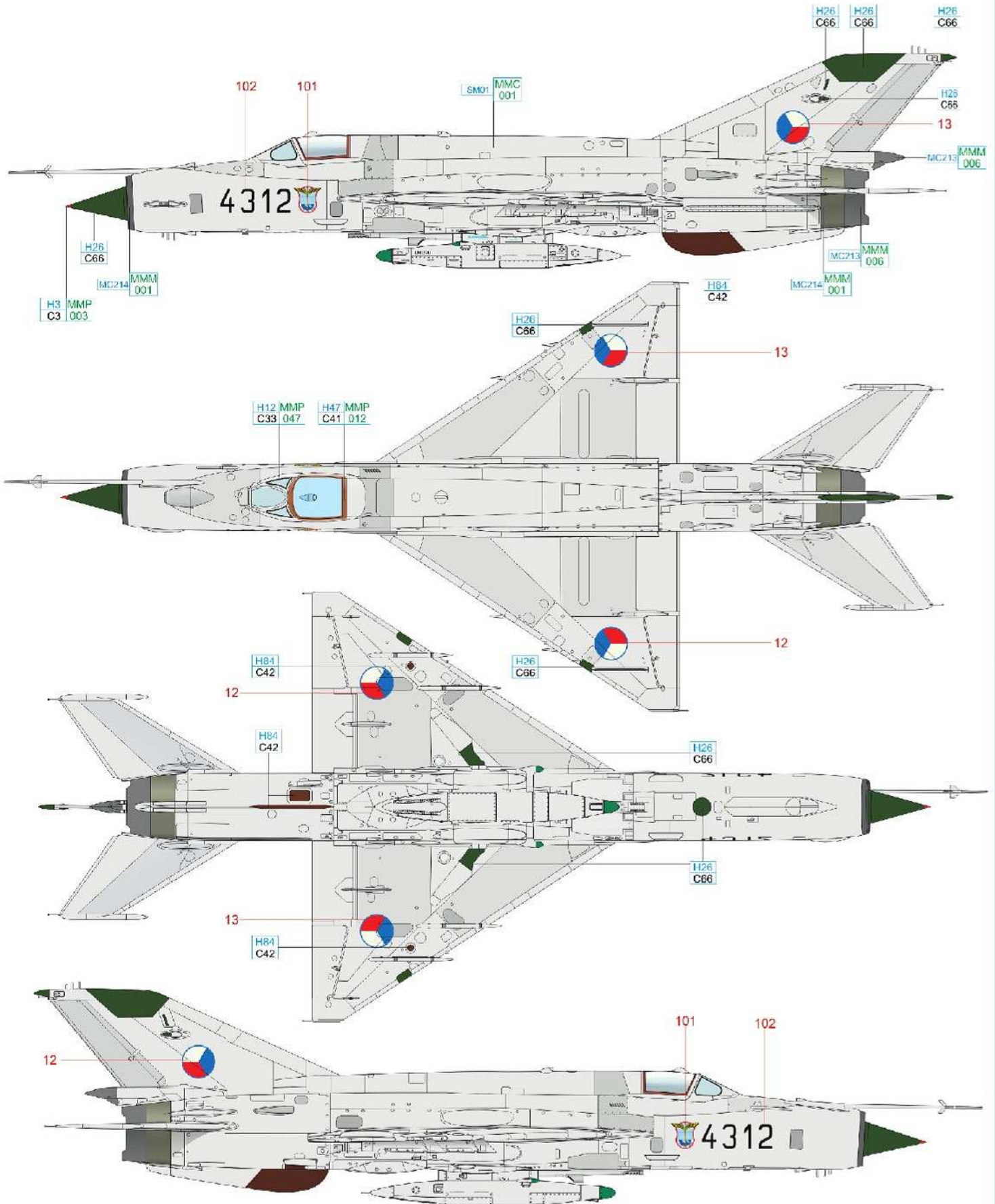
MAHOGANY	H84 C42	BRIGHT GREEN	H26 C66
----------	---------	--------------	---------

GREEN	H302 C302
WOOD BROWN	H37 C43

eduard

B No. 4312, 9th slp, Bechyně, Czechoslovakia, 1980s

The SPS-141 ECM pod was carried in the Czechoslovak Air Force by the MiG-21MF and MA using special pylon adaptors under the fuselage. This equipment was designed to jam the Hawk (MIM-23) anti-aircraft defence system and allow four-ship formations of MiG-21s to penetrate into enemy held territory. After serving with the 4th slp (Fighter Air Regiment) at Pardubice, aircraft coded 4312 was transferred to the 9th slp in 1973. Through the mid eighties, the plane went through an upgrade that allowed for the carriage of the SPS-141 pod. The splitting of assets between the newly formed Czech and Slovak republics allocated the aircraft to the Slovak side. It was retired in 1997. Throughout its entire service career, the aircraft carried no camouflage scheme.



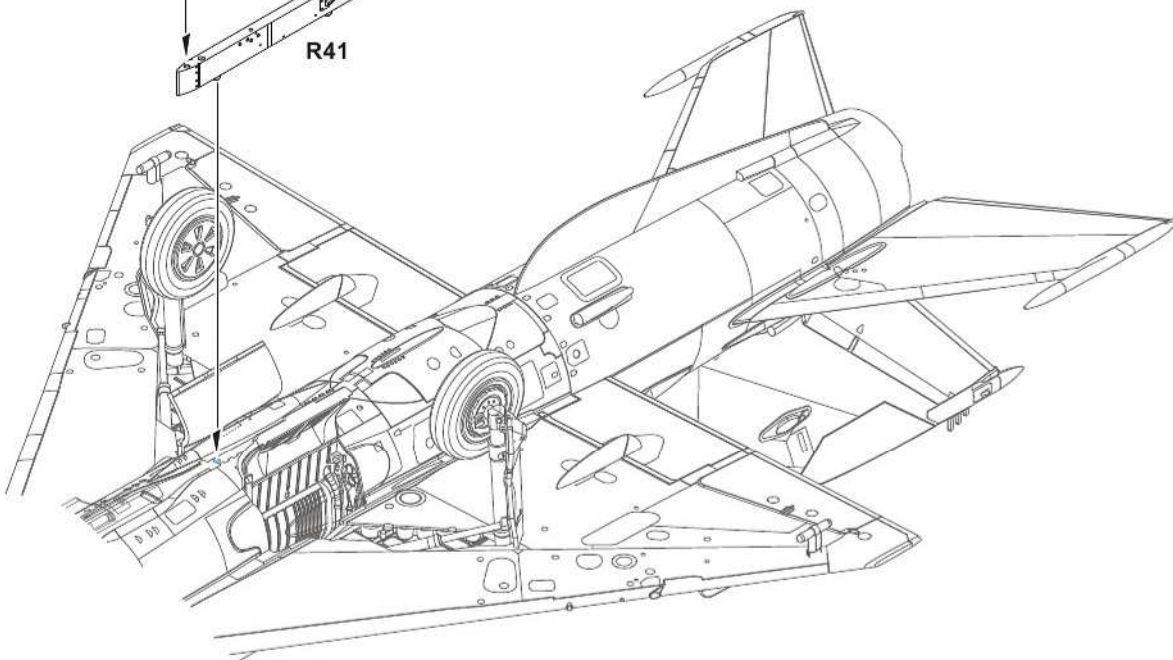
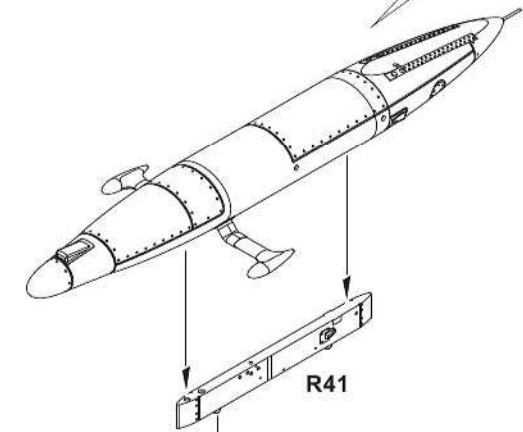
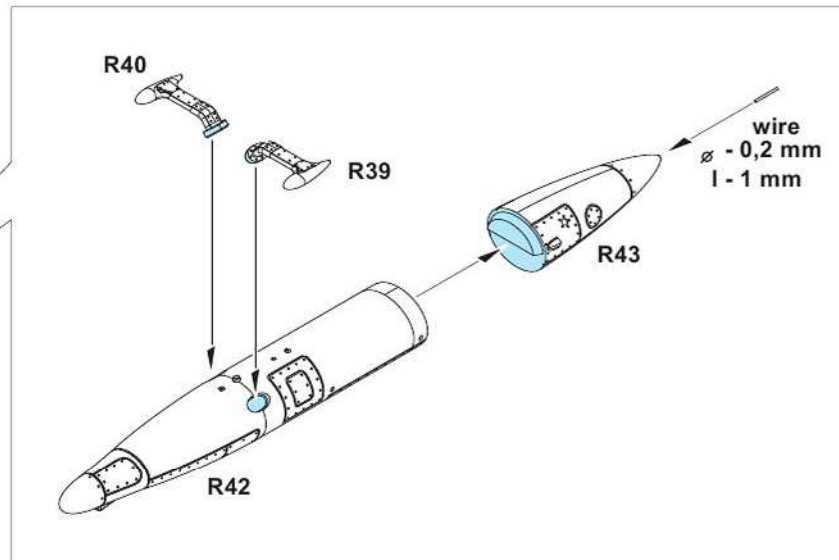
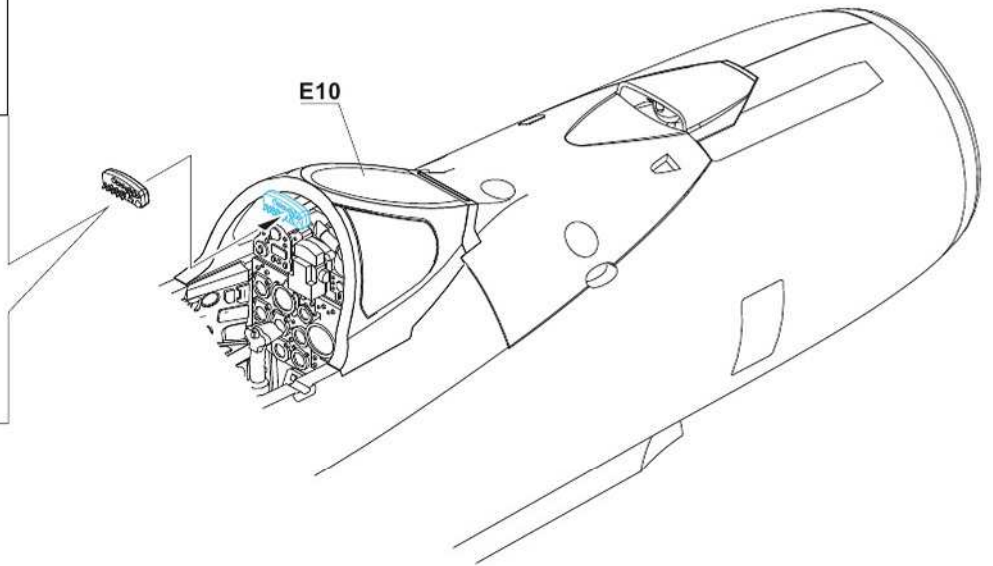
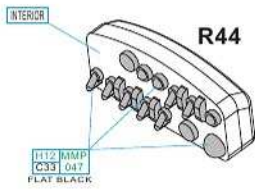
STEEL	MC213	MMM 006	SUPER FINE SILVER	SM01	MMC 001
DARK IRON	MC214	MMM 001	RED BROWN	H47 MMP C41 012	MAHOGANY H84 C42
				BRIGHT GREEN	H26 C66
				RED	H3 C3
				MMP C3	BLACK
				H12 MMP C33 047	

SPS-141 for MiG-21

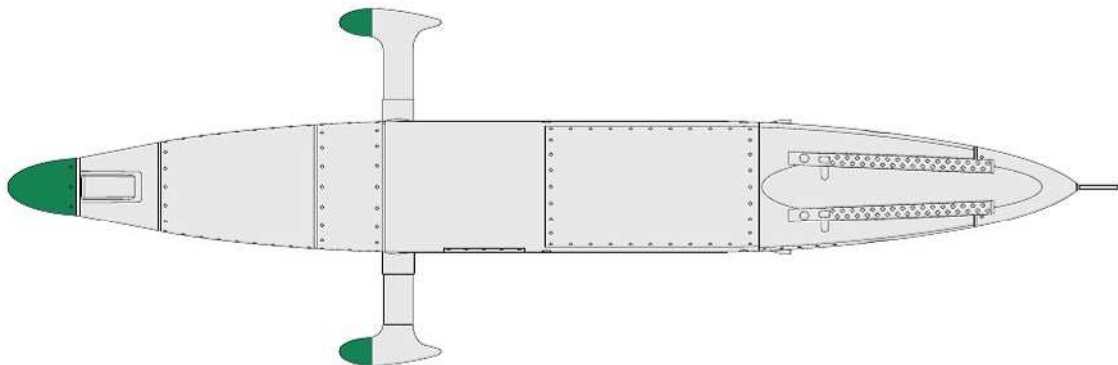
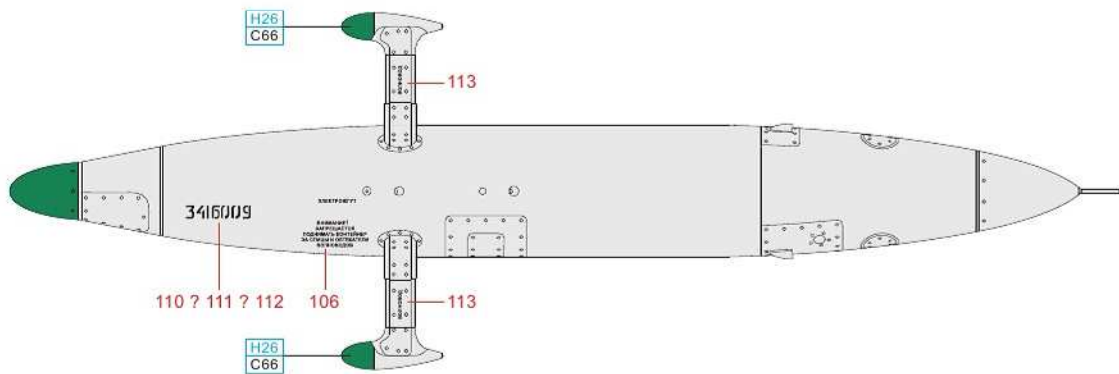
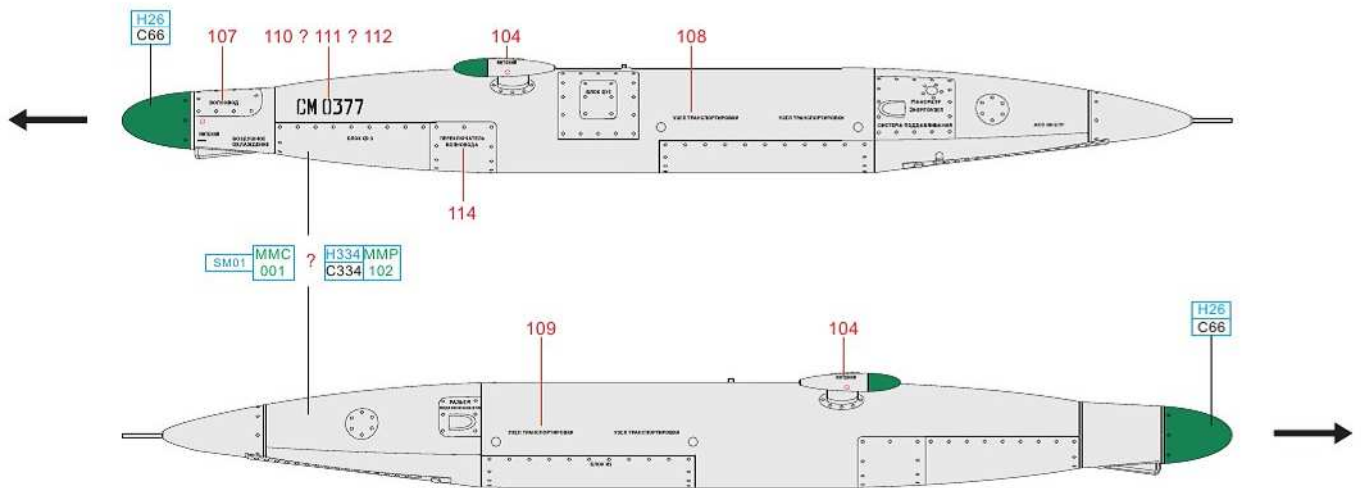
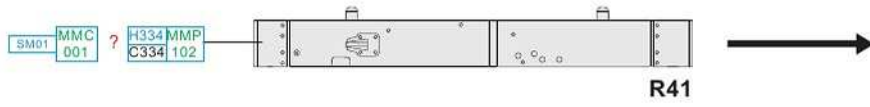
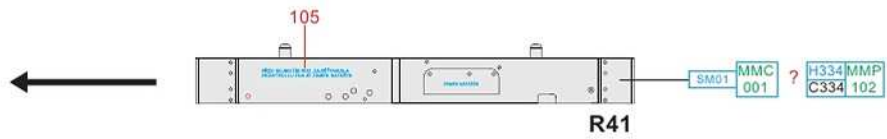
INTERIOR COLOUR BARVA INTERIÉRU

INTERIOR

60% C34 SKY BLUE + 20% C66 BRIGHT GREEN + 20% C60 COBALT BLUE



SPS-141 for MiG-21



SUPER FINE SILVER	SM01	MMC 001	GRAY	H334 MMP C334 102	BRIGHT GREEN	H26 C66	FLAT BLACK	H12 MMP C33 047
-------------------	------	---------	------	-------------------	--------------	---------	------------	-----------------

MiG-21MF fighter-bomber

eduard

■ SOVIET SUPERSONIC FIGHTER

1/72 SCALE PLASTIC KIT

ProfiPACK
edition

#70142



INTRO

The MiG-21 was one of a long list of Mikoyan-Gurevich products to be integrated into the armed forces of the Soviet Union, the Warsaw Pact, and allied client states. Its predecessors included such notable types as the MiG-15, MiG-17 and the supersonic MiG-19. The roots of this project reach back to the first half of the fifties. In 1954, the Ye-1 project came to an end, and was quickly picked up by the Ye-2. Both had a swept wing. The first machine to feature the delta wing was the Ye-4, which first took to the air on June 16th, 1955. It was also demonstrated a year later at the Moscow airfield Tushino. The first of the new line to enter production was the MiG-21F, which together with the MiG-21P and F-13 represented the first generation of the MiG-21, and was in production through the end of the fifties and the beginning of the sixties. Subsequent versions included the PF, FL, PFM, R the production of which peaked at the end of the sixties. The third generation started production in 1968, which included such versions as M, SM, MF, SMT, bis among others. Simultaneously, two-seat training versions were also produced designated MiG-21U, UM and US. Production of the MiG-21 ended in 1985, and was put into service with some fifty nations. Over the course of the cold war, the opponents of the MiG-21 included the likes of the Northrop F-5 Freedom Fighter and the Dassault Mirage III. NATO assigned it the reporting name 'Fishbed'. It became the most produced supersonic fighter in terms of quantity. The new machines came off Soviet production lines in Moscow, Gorky and Tbilisi. The MiG-21F-13 was also built under license in Czechoslovakia and the MiG-21FL, M and bis in India by Hindustan Aeronautics Ltd. The Soviet Union produced 10,645 examples of all versions, 194 were built in Czechoslovakia and 657 in India. Outside of the Soviet Union, the type flew with a long list of nations on all continents with the exception of Australia. The MiG-21 participated in combat in Vietnam, the Indo-Pakistan wars, the Cuban participation in Angola and in the Arab world's attempt to eliminate Israel. Thanks to the high volume of use, the highest number of aces produced on the type was in Vietnam. The top of the ladder is occupied by Nguyen Van Coc with nine kills. The type serving as an interceptor served with the Soviet Union and other nations of the Warsaw Pact into the eighties, when it began to be displaced by the MiG-29 Fulcrum.

This kit allows you to build a model of the MiG-21MF that was built in the factory in Moscow between 1969 and 1974 (around 1300 units having been produced) and represented the most common variant of this sub-type. Later production airframes built at Gorky (between 1975 and 1976), differed in many details from the aircraft built at Moscow. The vast majority of exported aircraft came from the Moscow production facility. At first, these left the factory in natural metal and from 1973 in camouflage schemes specific to the client state. The MiG-21SM was at first sight virtually identical to the MiG-21MF, only differing in the better RP-22 radar unit. This version was used exclusively by the Soviet Union and was never cleared for export.

MiG-21MFs were powered by Tumanskij R-13-300 turbojet engine with additional combustion chamber and carried an RP-21 radar. The armament constituted of a twin-barreled GSch-23-2L 23mm autocannon with 200 rounds of ammunition. The racks carried a combination of FAB bombs with 500kg warhead, UB-16-57U launchers and R-3S rockets, Ch-66, S-24, including R-60 air-to-air missile and its infrared homing variant R-60M. The NATO code for MiG-21MFs was "Fishbed-J".

ATTENTION



UPOZORNĚNÍ



ACHTUNG



ATTENTION



注意



Carefully read instruction sheet before assembling. When you use glue or paint, do not use near open flame and use in well ventilated room. Keep out of reach of small children. Children must not be allowed to suck any part, or pull vinyl bag over the head.



Před započatím stavby si pečlivě prostudujte stavební návod. Při používání barev a lepidel pracujte v době větrané místnosti. Lepidla ani barvy nepoužívejte v blízkosti otevřeného ohně. Model není určen malým dětem, mohlo by dojít k požití drobných dílů.

INSTRUCTION SIGNS

* INSTR. SYMBOLS

* INSTRUKTION SINNBILDEN

* SYMBOLES

* 記号の説明

OPTIONAL
VOLBABEND
OHNOUTOPEN HOLE
VYVRTAT OTVORSYMETRICAL ASSEMBLY
SYMETRICKÁ MONTÁŽREMOVE
ODRÍZNOUTREVERSE SIDE
OTOČITAPPLY EDUARD MASK
AND PAINT
POUŽIT EDUARD MASK
NABARVIT

PARTS



DÍLY



TEILE

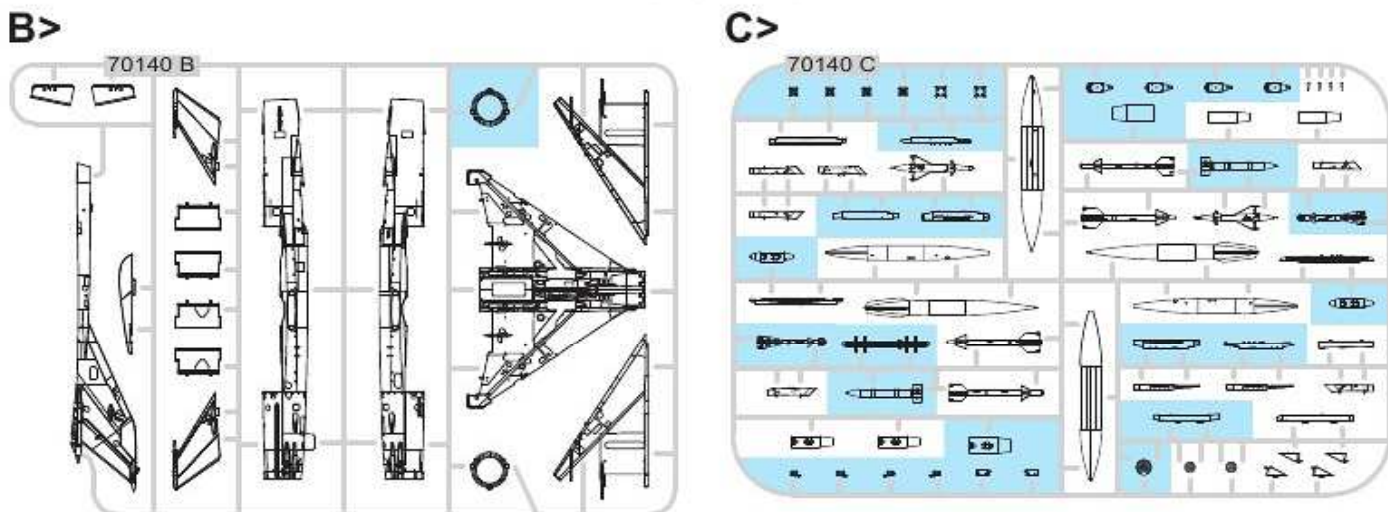


PIÈCES

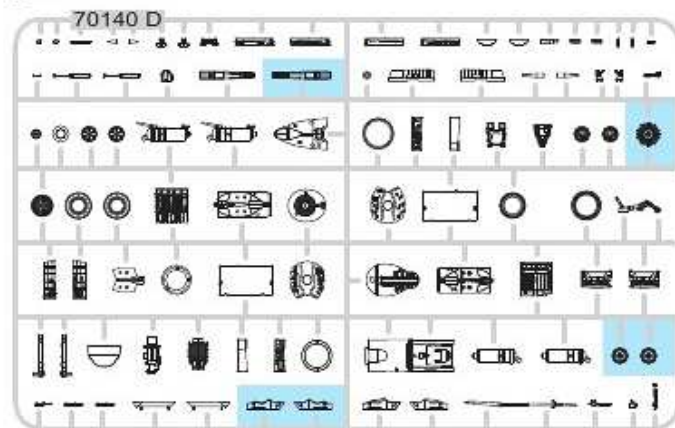


部品

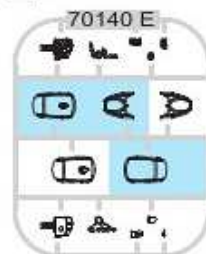
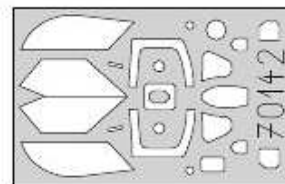
PLASTIC PARTS



D>



E>

PE - PHOTO ETCHED
DETAIL PARTSeduard
MASK

-Parts not for use. -Teile werden nicht verwendet. -Pièces à ne pas utiliser. -Tyto díly nepoužívejte při stavbě. - 使用しない部品

COLOURS



BARVY



FARBEN



PEINTURE

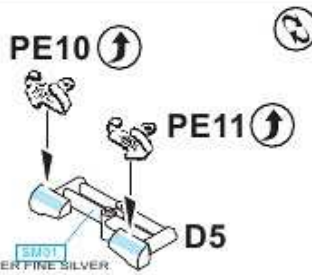


色

GSI Creek (GUNZE)		MISSION MODELS	
AQUEOUS	Mr.COLOR	PAINTS	
H3	C1	MMP-001	WHITE
H3	C3	MMP-003	RED
H4	C4	MMP-007	YELLOW
H5	C5	MMP-048	BLUE
H8	C6	MMP-004	GREEN
H11	C62	MMP-001	FLAT WHITE
H12	C35	MMP-047	FLAT BLACK
H20	C86		BRIGHT GREEN
H27	C44		TAN
H35	C80		COBALT BLUE
H47	C41	MMP-012	RED BROWN
H51	C11	MMP-063	LIGHT GULL GRAY
H53	C93		NEUTRAL GRAY
H67	C115	MMP-057	RLM85 LIGHT BLUE
H73	C21	MMP-076	MIDDLE STONE
H77	C137	MMP-040	TIRE BLACK

GSI Creek (GUNZE)		MISSION MODELS	
AQUEOUS	Mr.COLOR	PAINTS	
H84	C42		MAHOGANY
H90	C47		CLEAR RED
H94	C138		CLEAR GREEN
H100	C302		GREEN
H103	C383	MMP-065	GREEN
H105	C305	MMP-004	GRAY
H108	C308	MMP-075	MEDIUM GRAY
H109	C308	MMP-075	GRAY
H120	C532		LIGHT AIRCRAFT GRAY
	C34		SKY BLUE
Mr.METAL COLOR		METALLICS	
M025		MMM-005	STEEL
M029		MMM-001	DARK IRON
M030		MMM-003	ALUMINIUM
Mr.COLOR SUPER METALLIC		METALLICS	
S097		SMC-001	SUPER CHROME

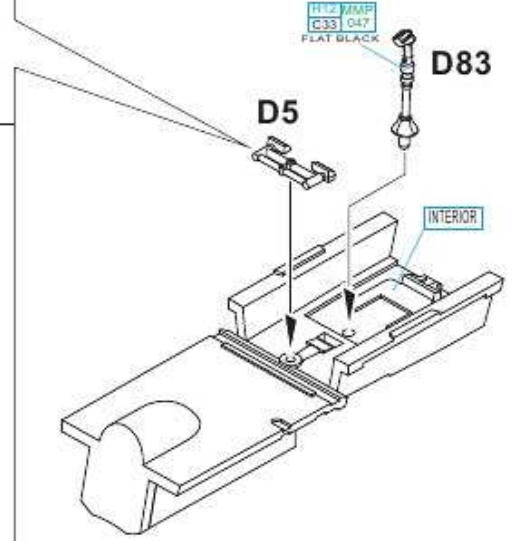
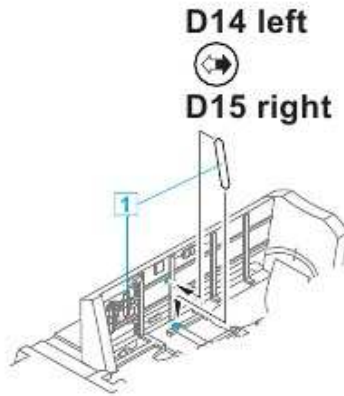
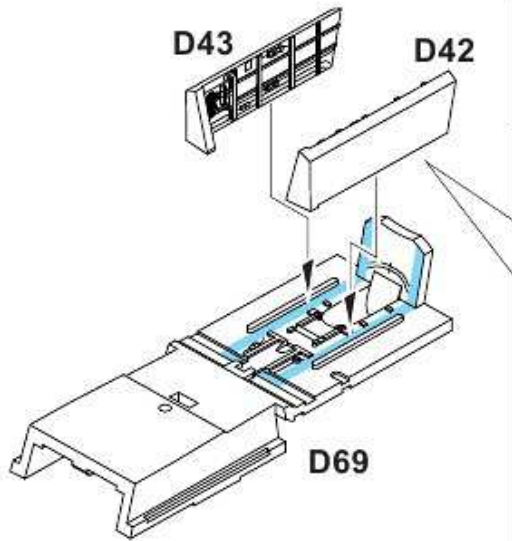
- 1** =
- H11 MMP C62 081 FLAT WHITE - MARKING **A, B, C**
 - H12 MMP C33 047 FLAT BLACK - MARKING **D**
 - H20 MMP C80 056 GRAY - MARKING **E**



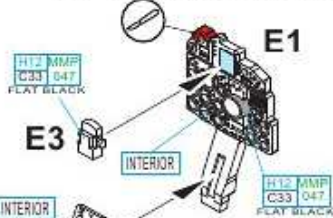
INTERIOR COLOUR BARVA INTERIÉRU

INTERIOR

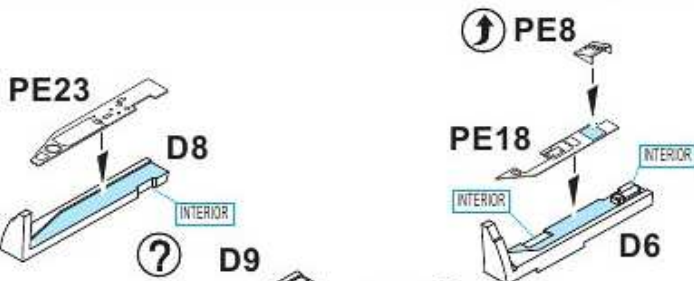
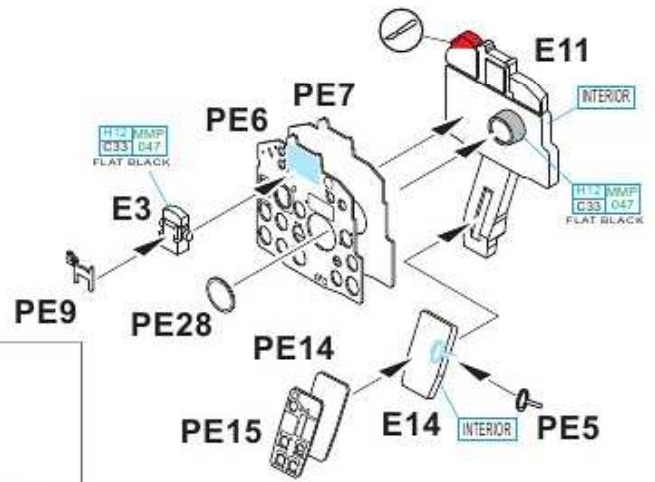
60% C34 SKY BLUE + 20% C66 BRIGHT GREEN + 20% C80 COBALT BLUE



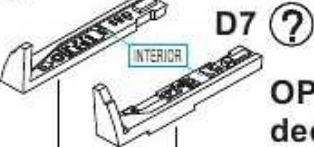
OPTIONAL: decal 36



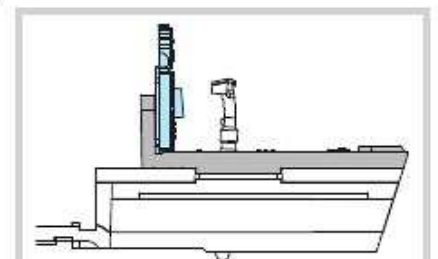
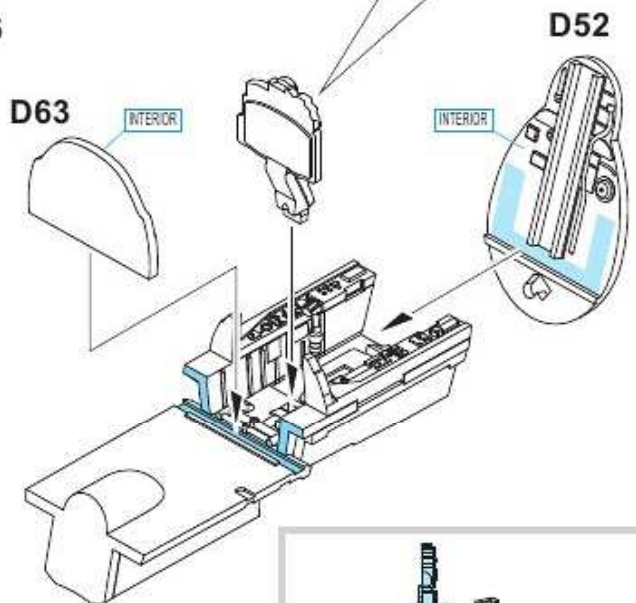
OPTIONAL: decal 30

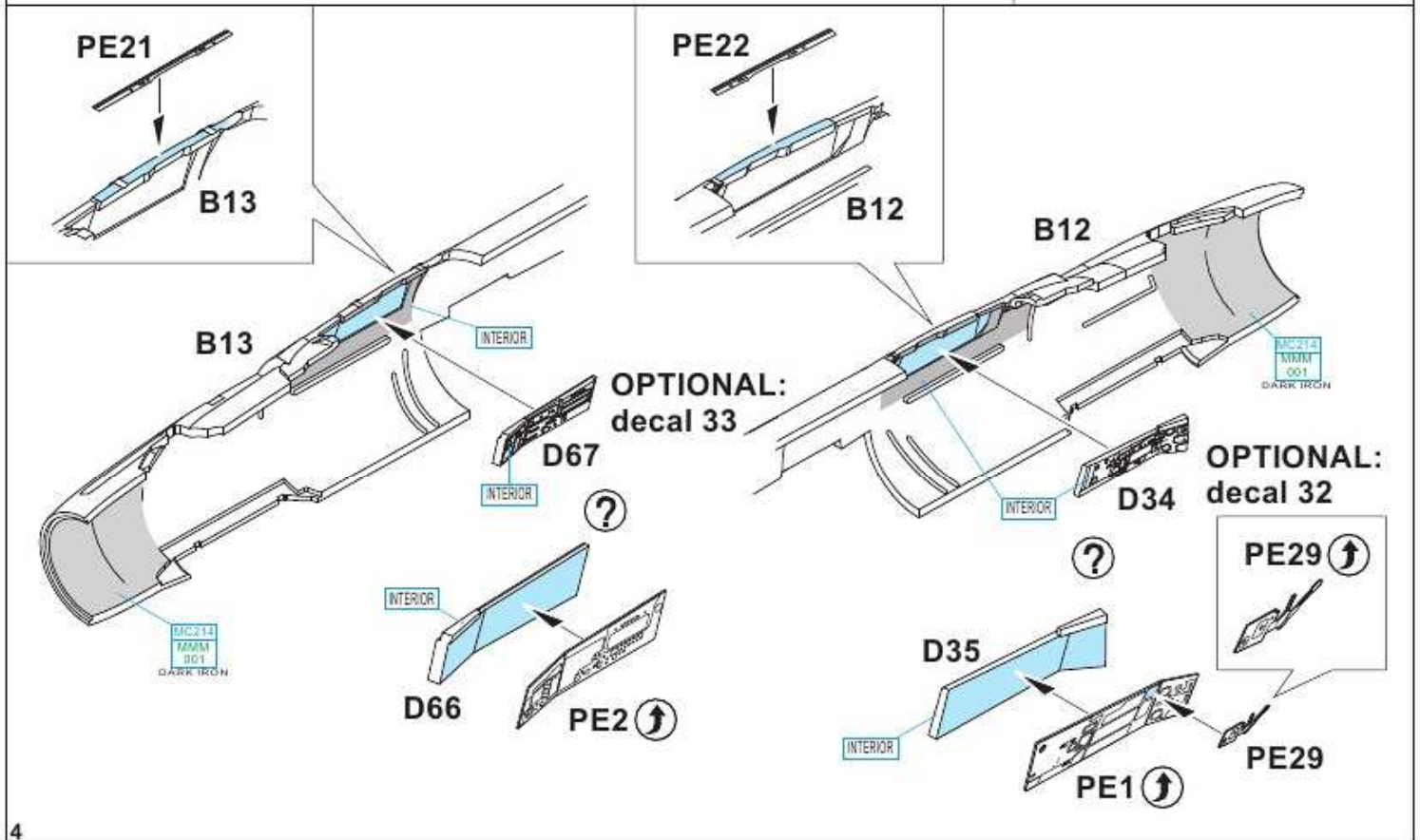
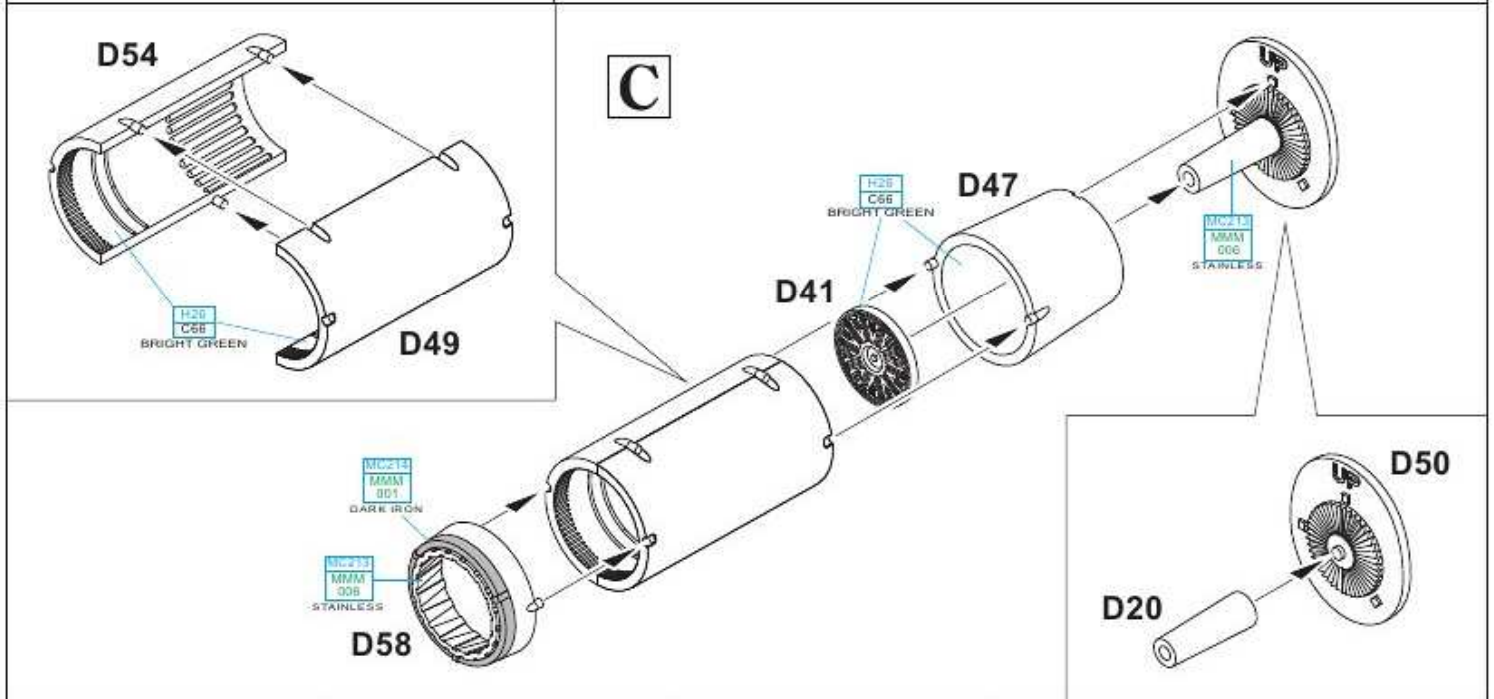
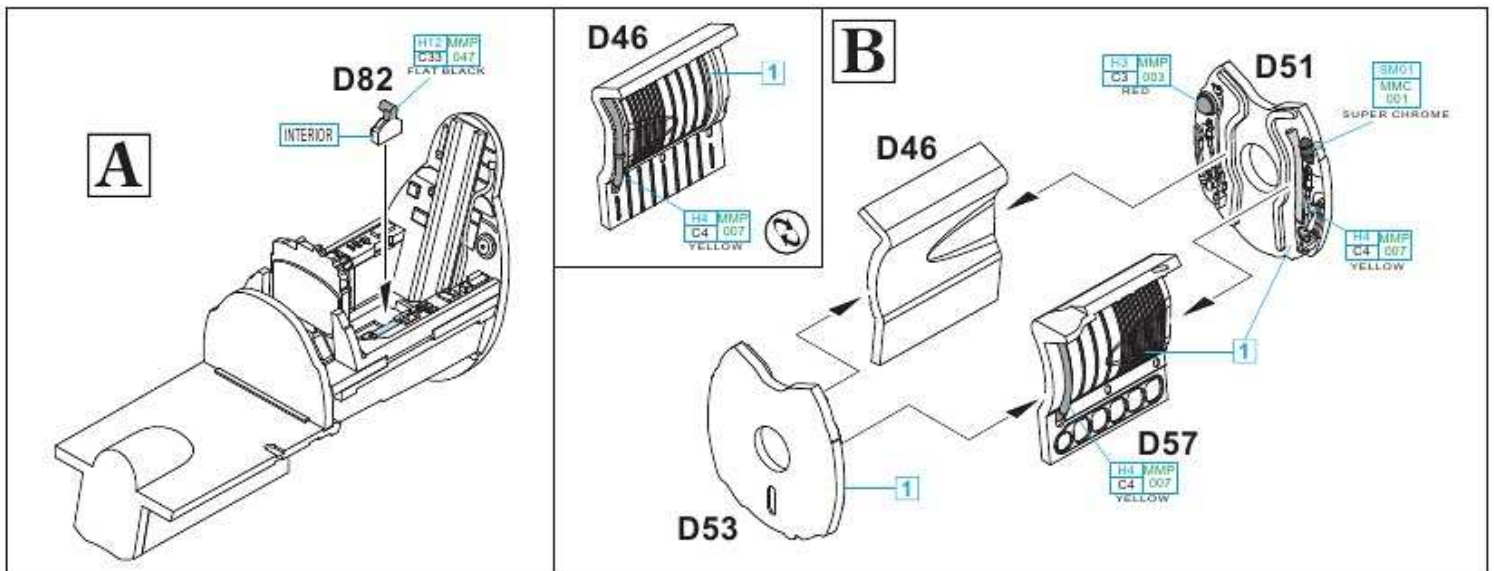


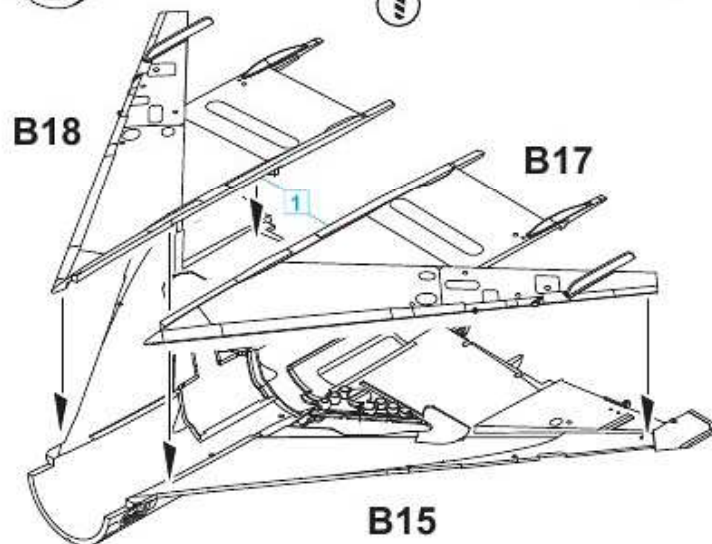
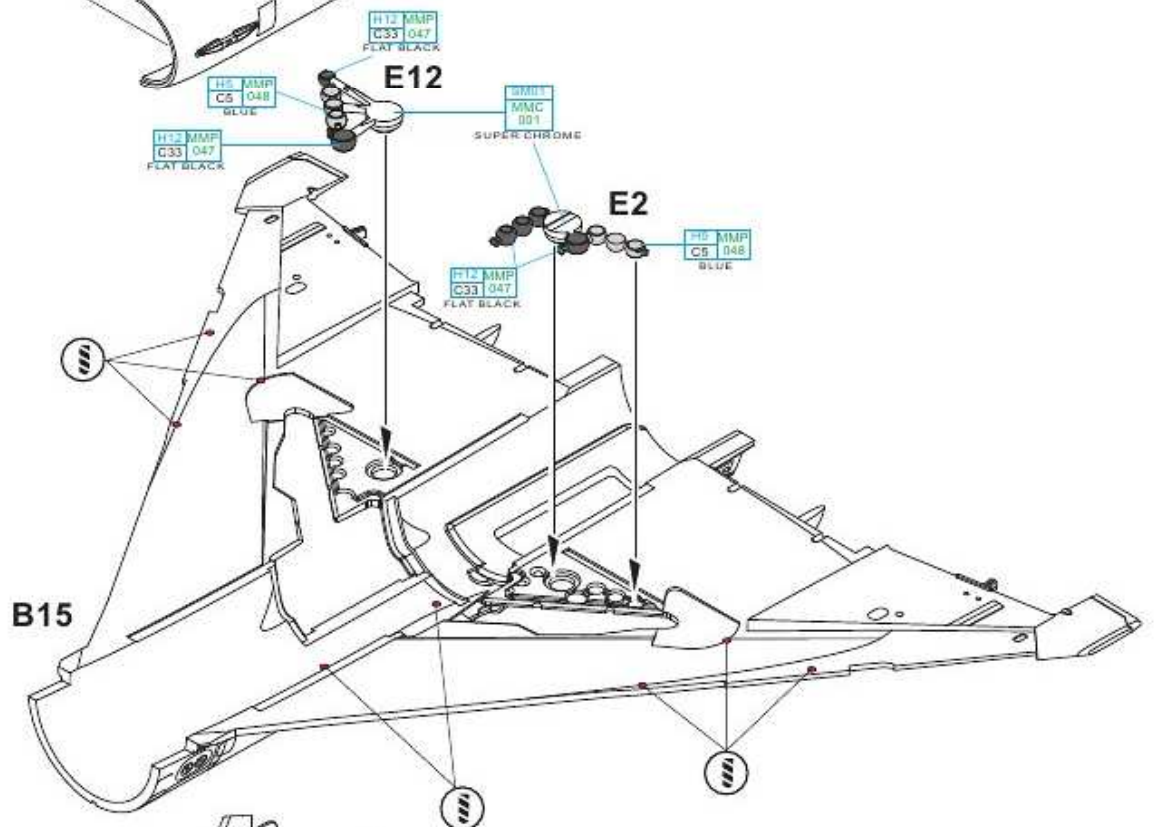
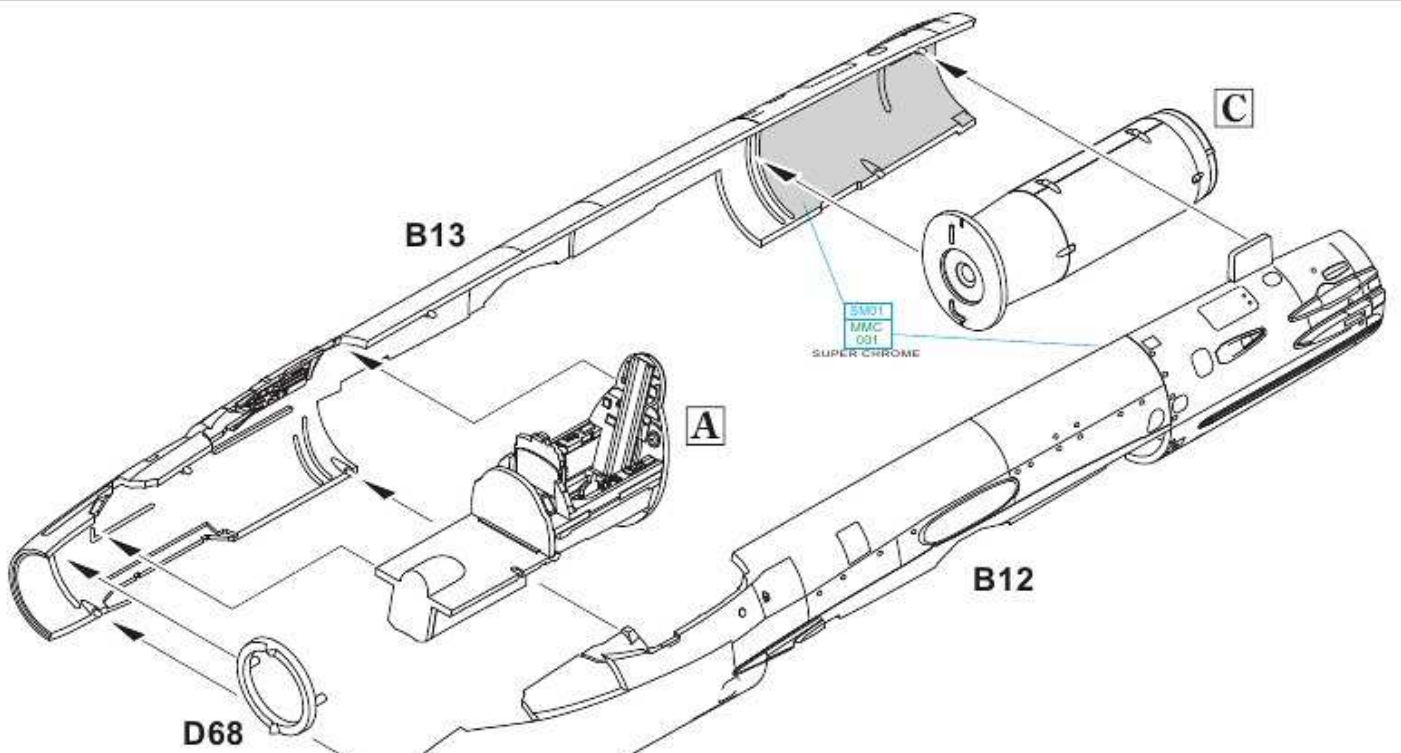
OPTIONAL: decal 34

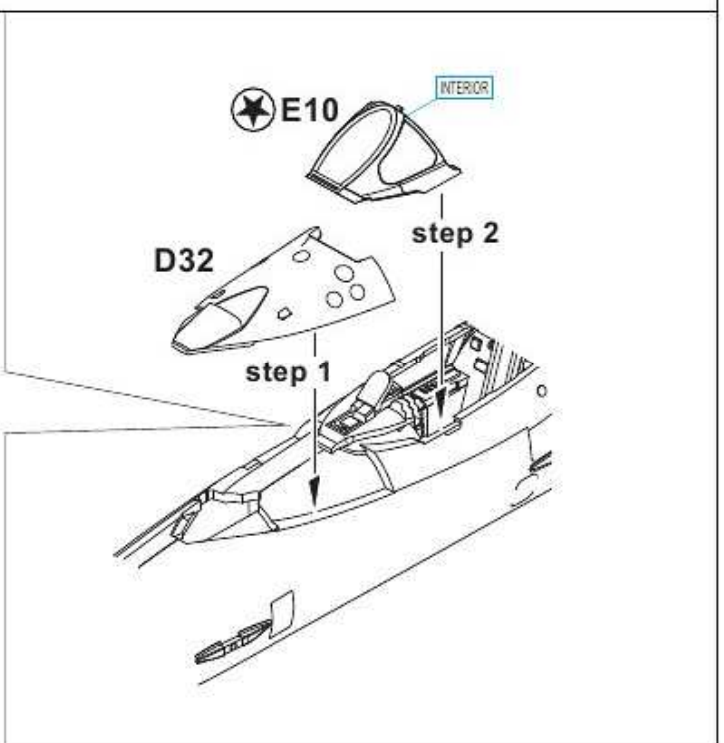
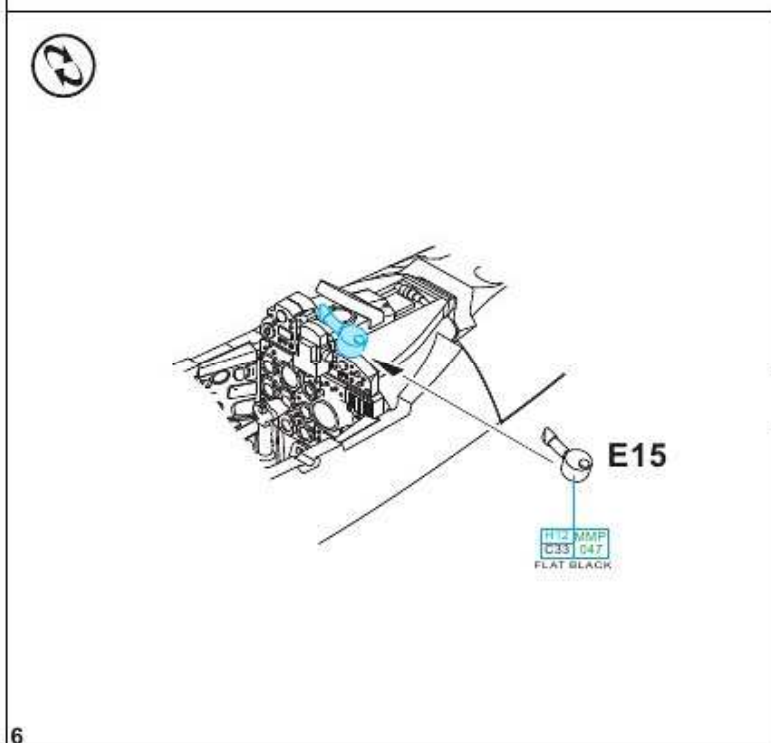
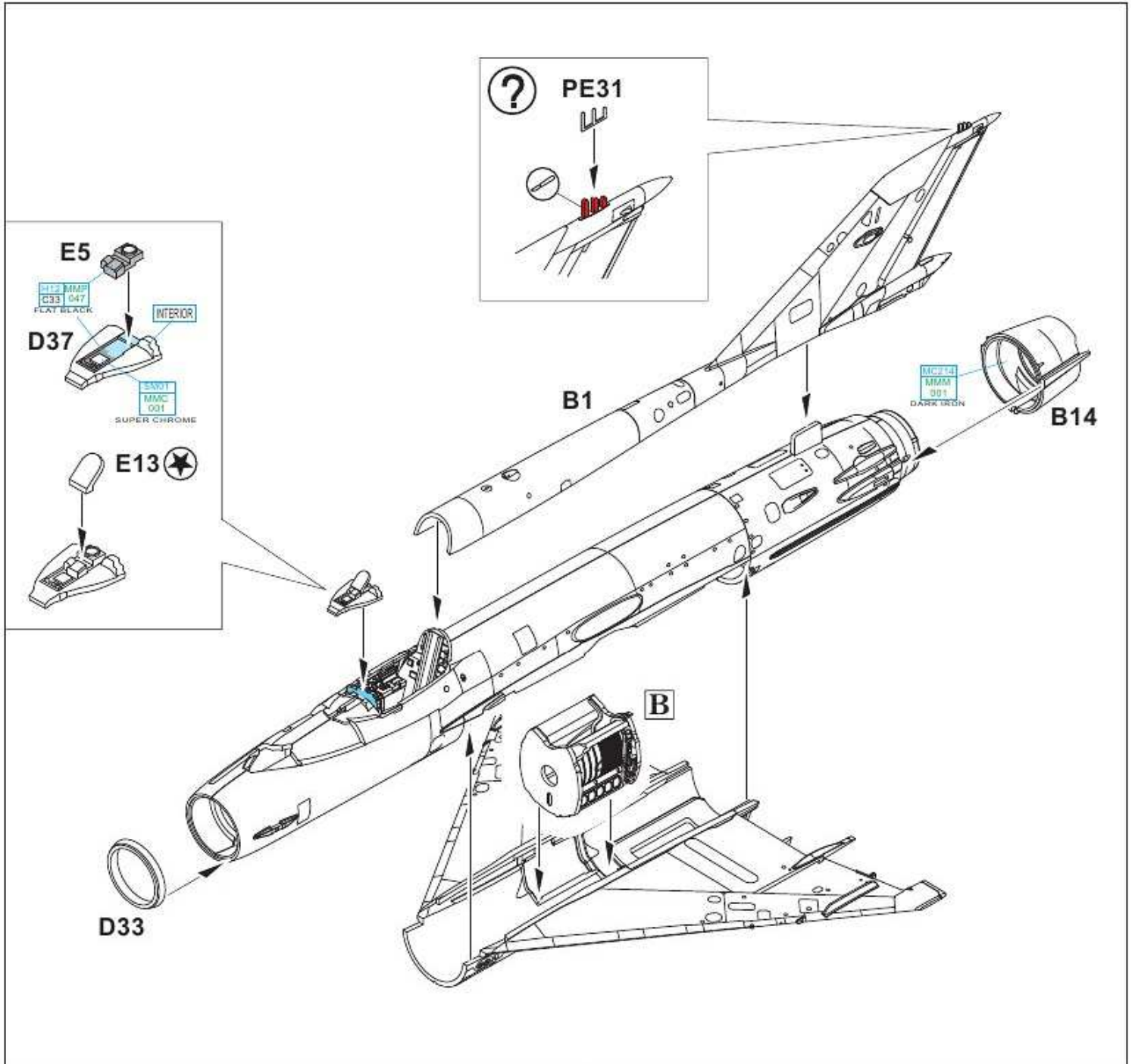


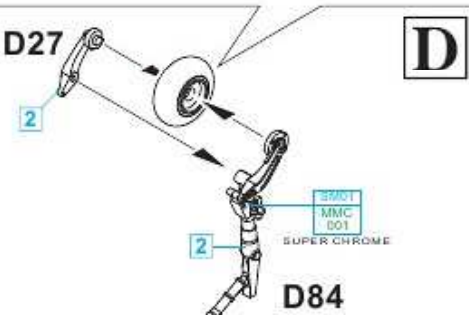
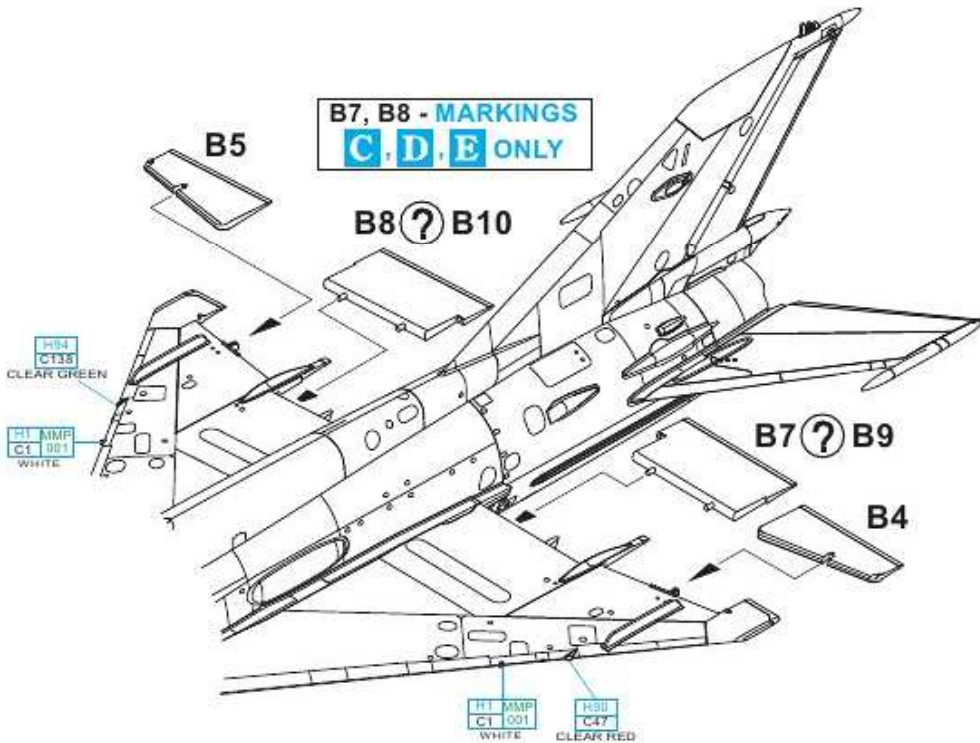
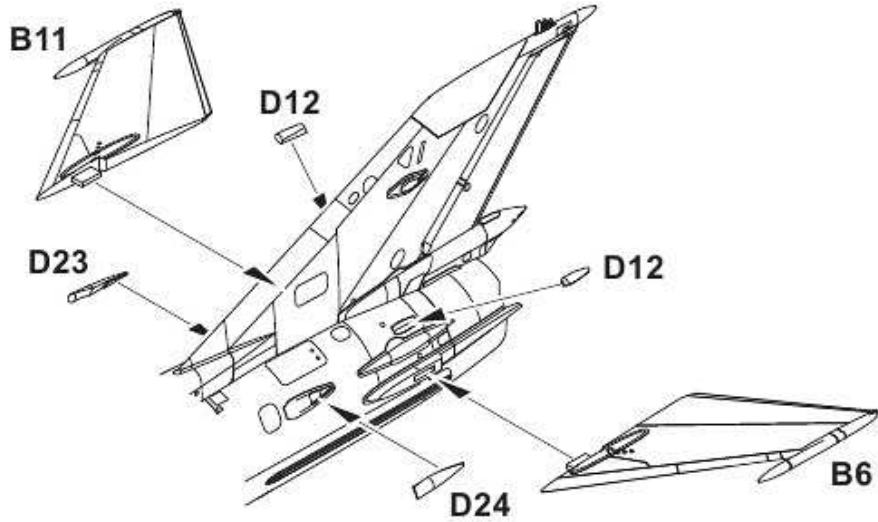
OPTIONAL: decal 31



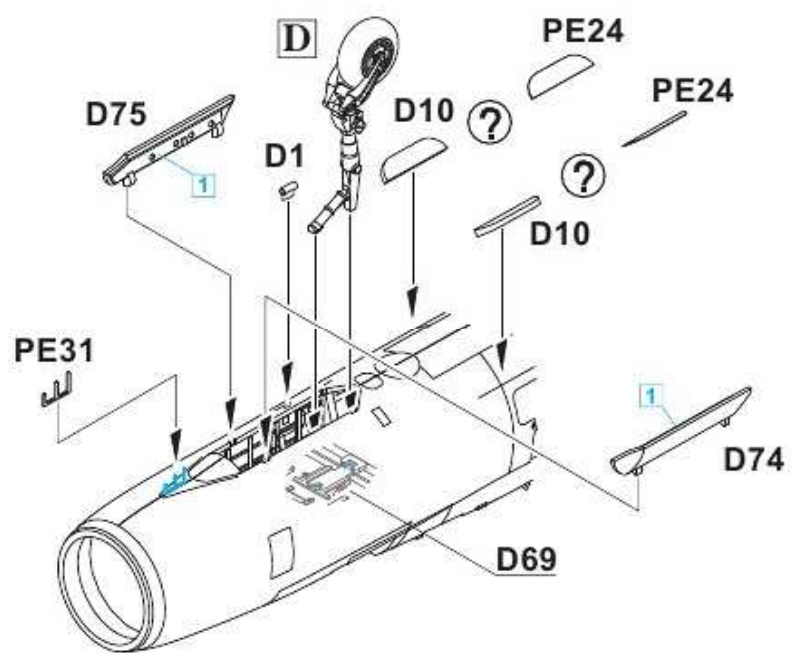


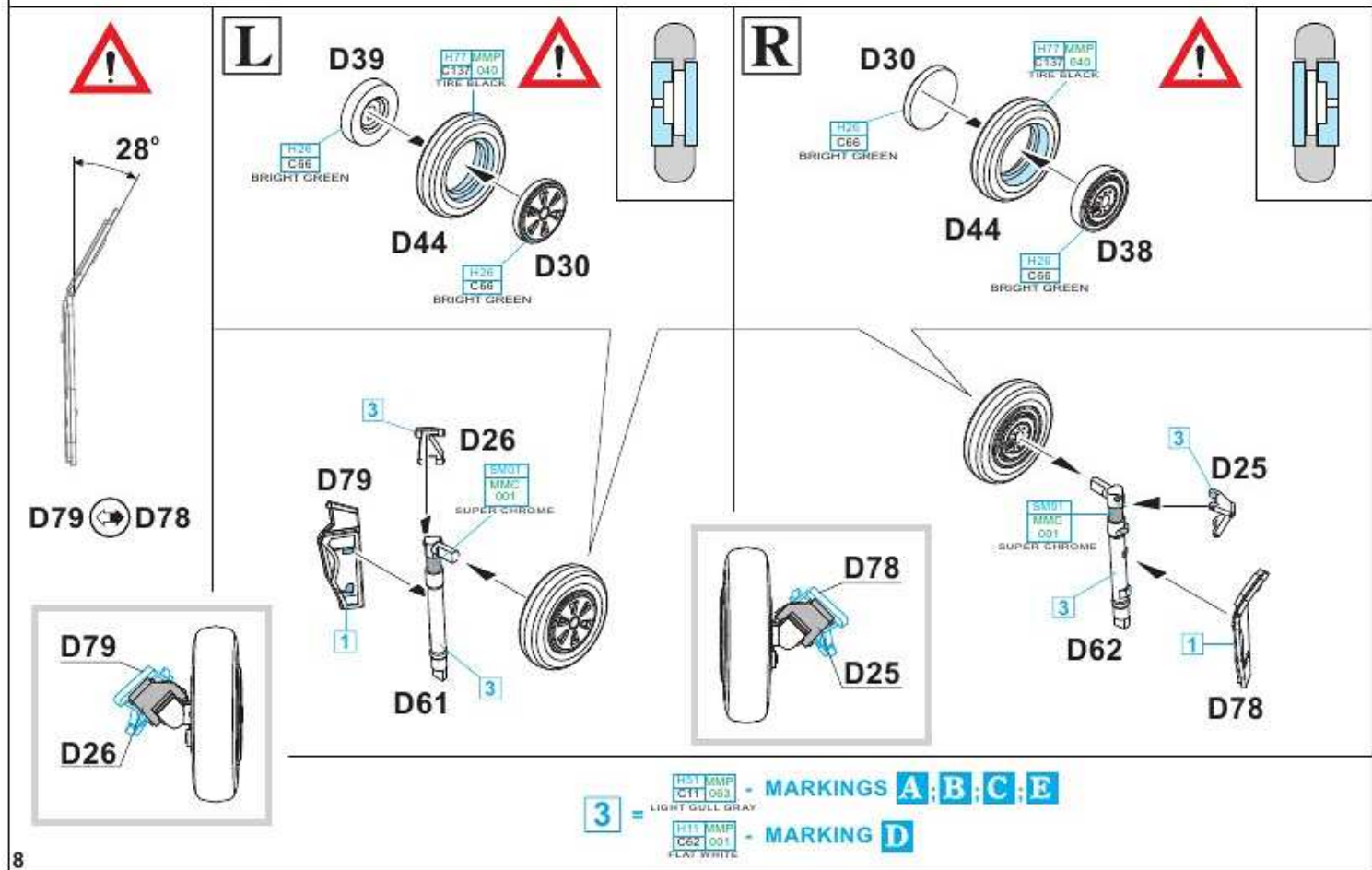
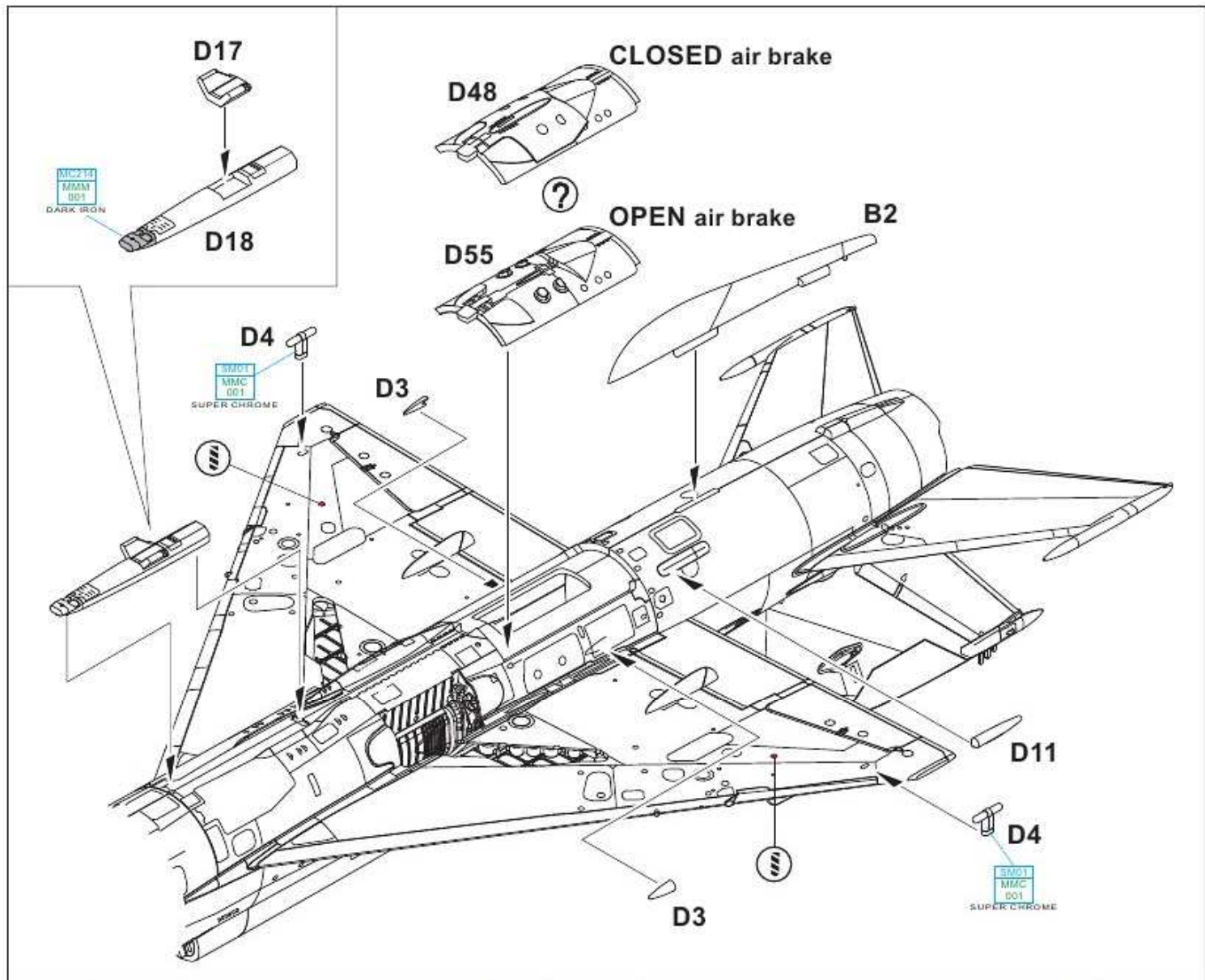


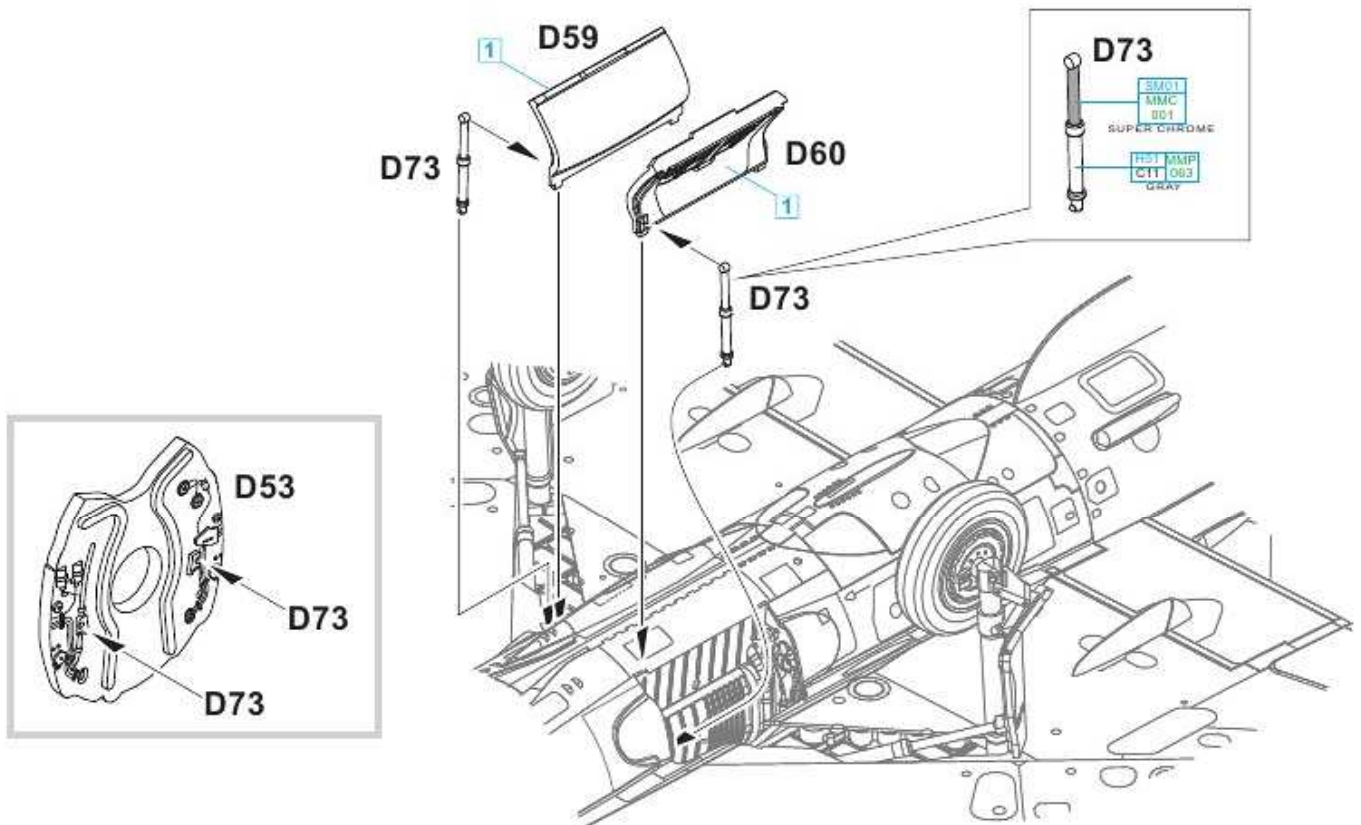
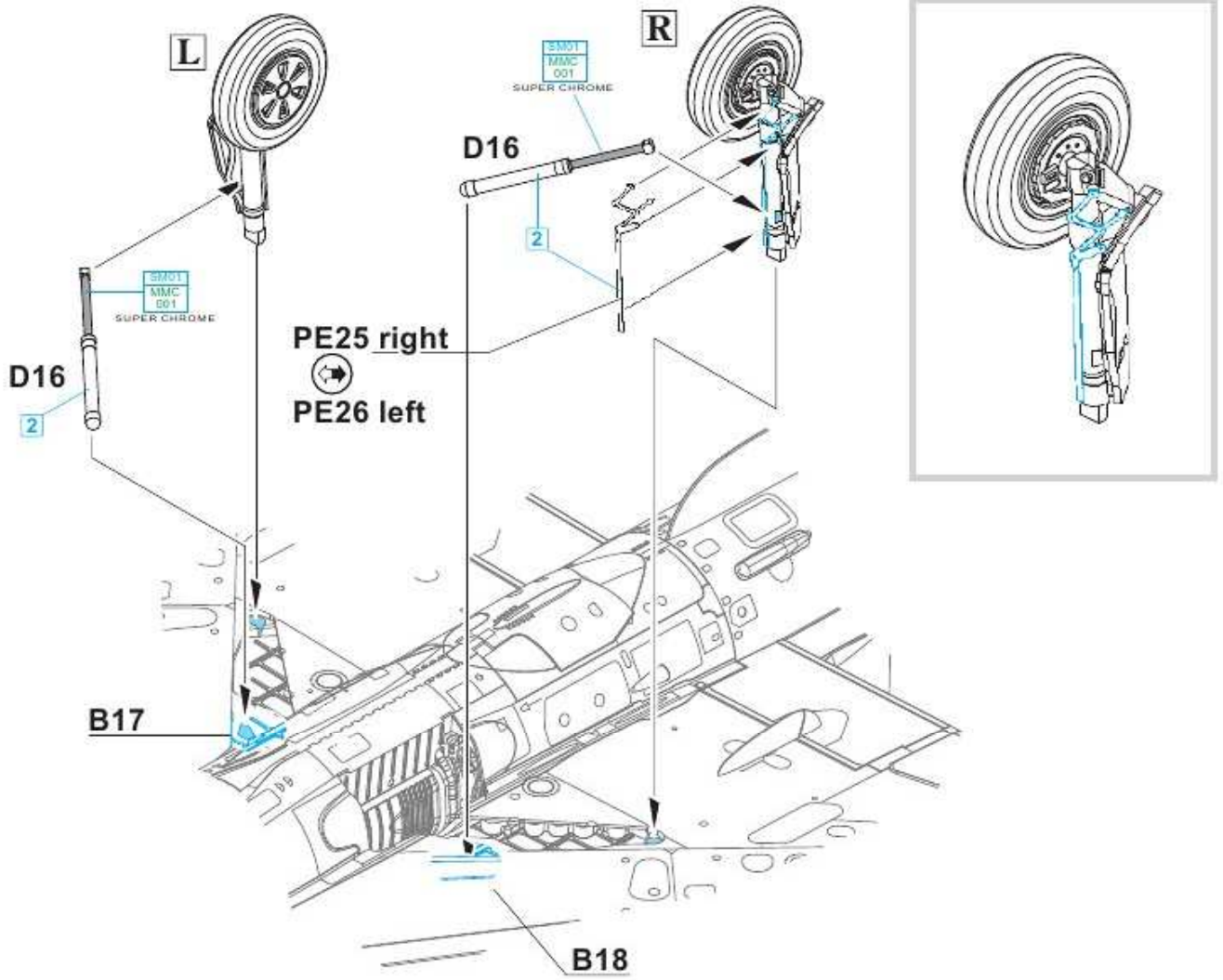


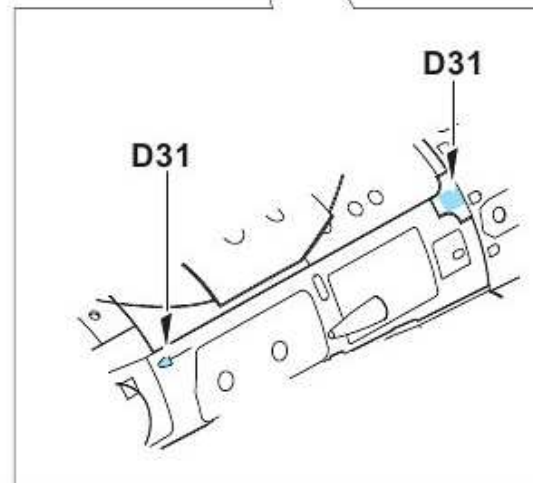
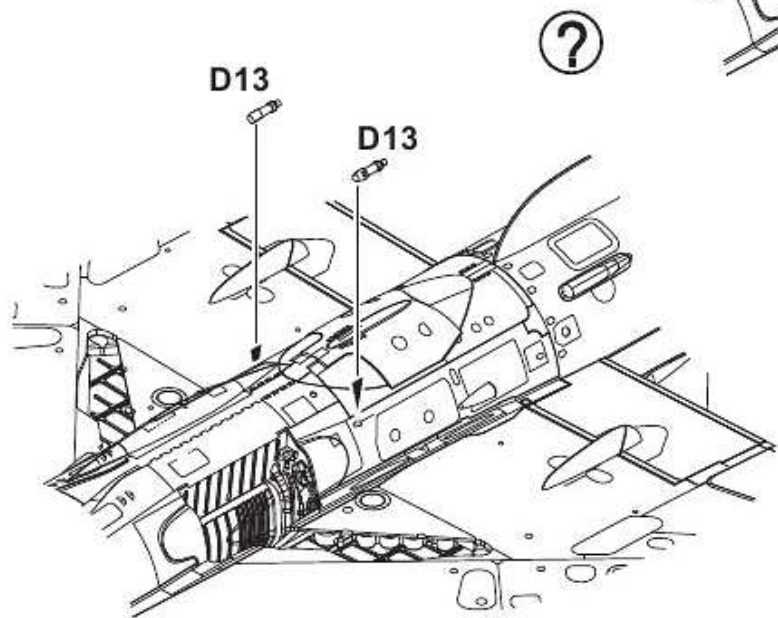
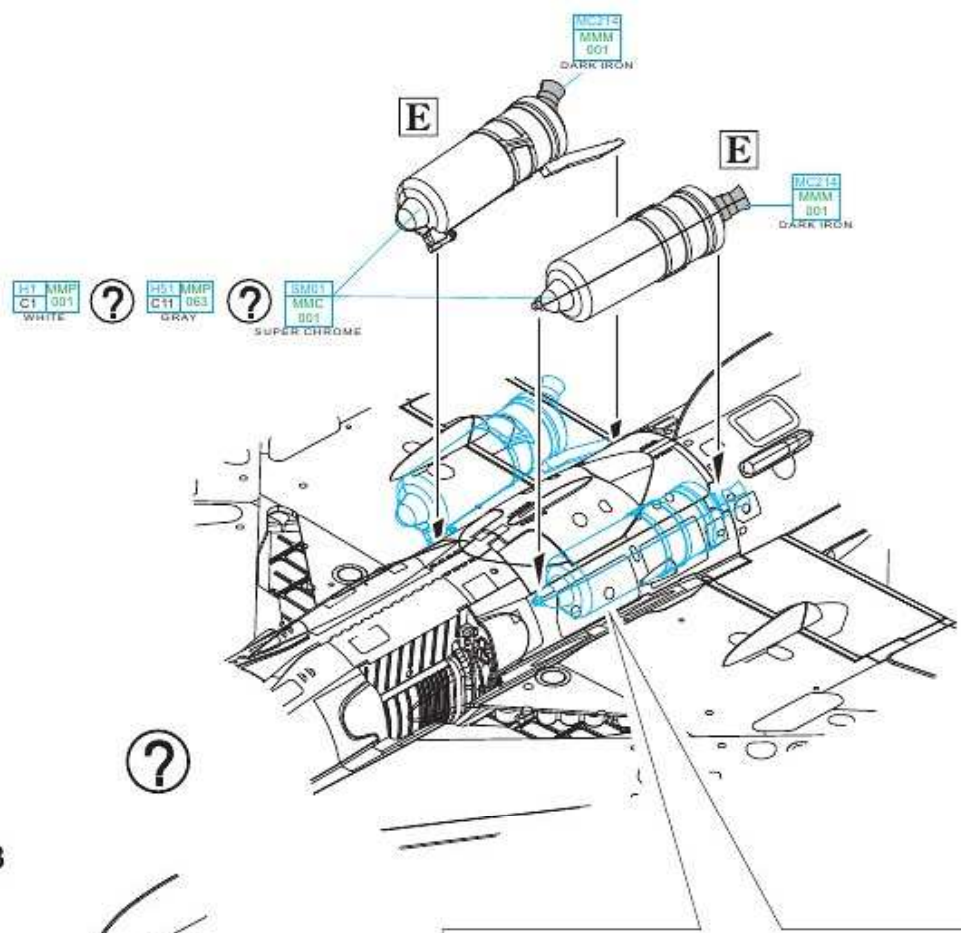
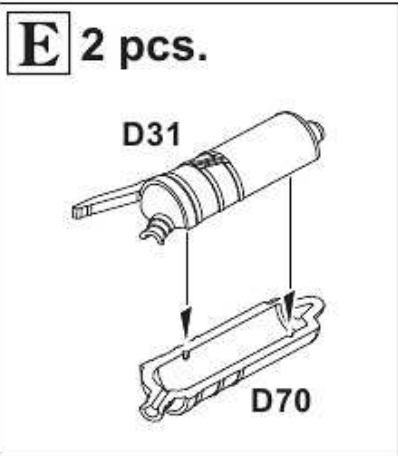


2 = H51 MMP C11 093 - MARKINGS A, B, C, E
LIGHT GULL GRAY
H305 MMP C305 084 - MARKING D
GRAY



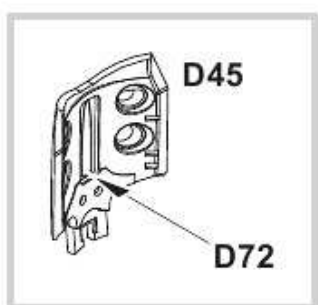
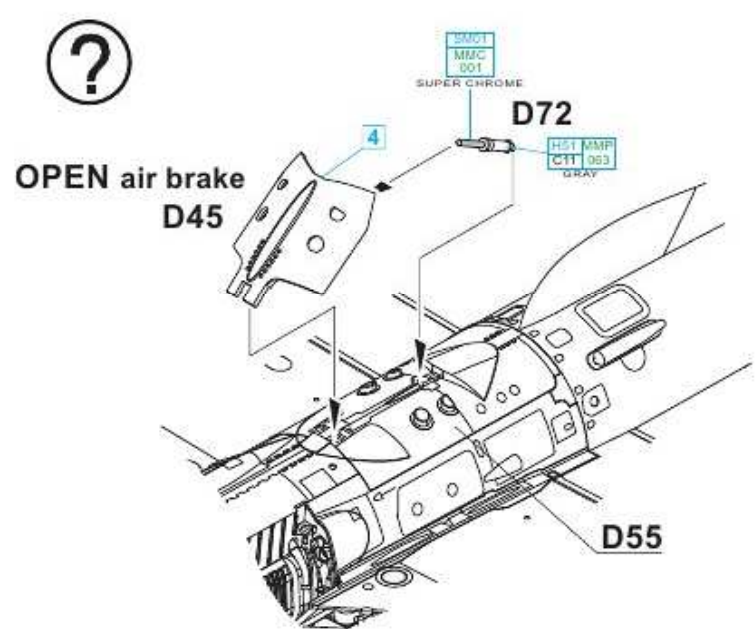


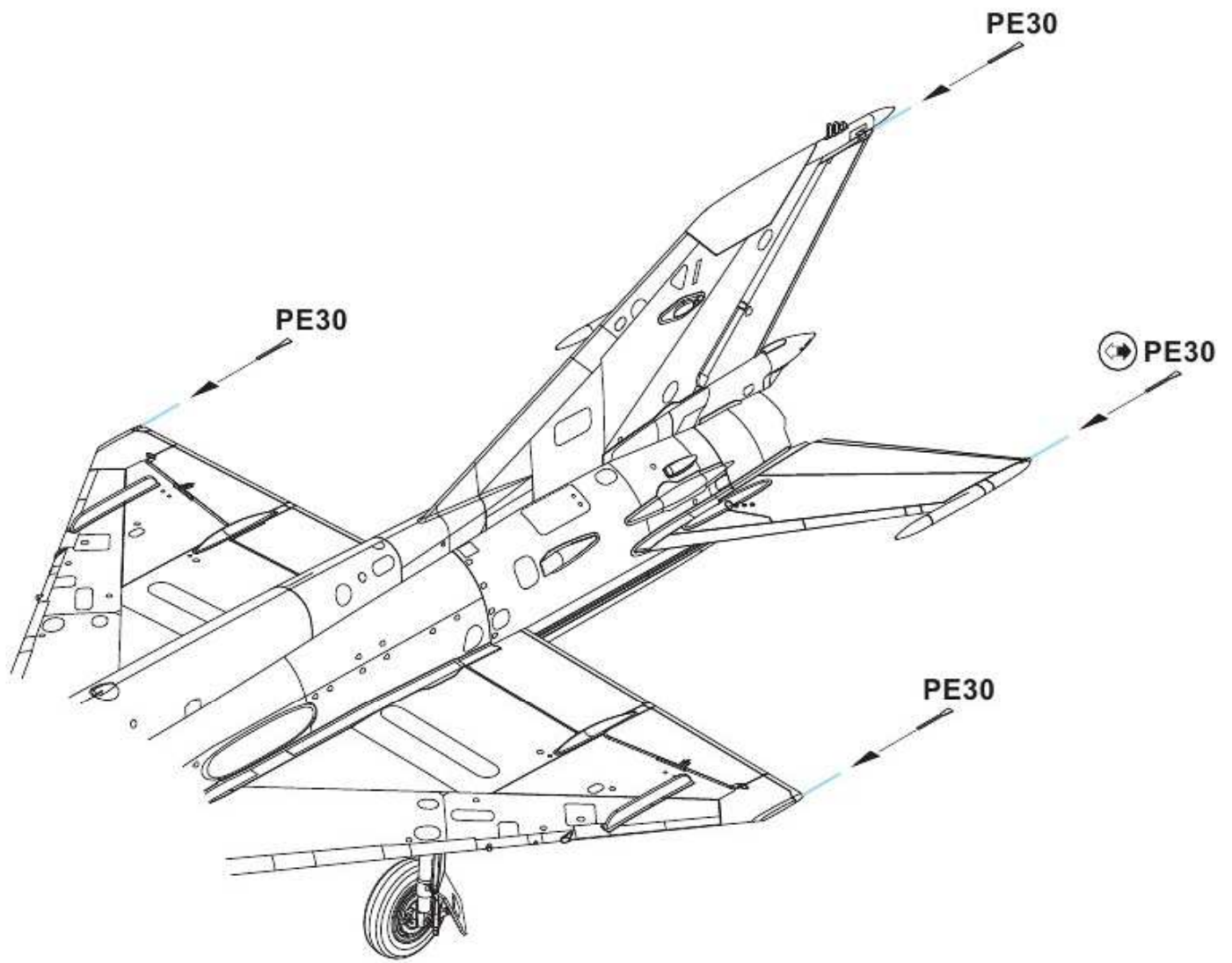




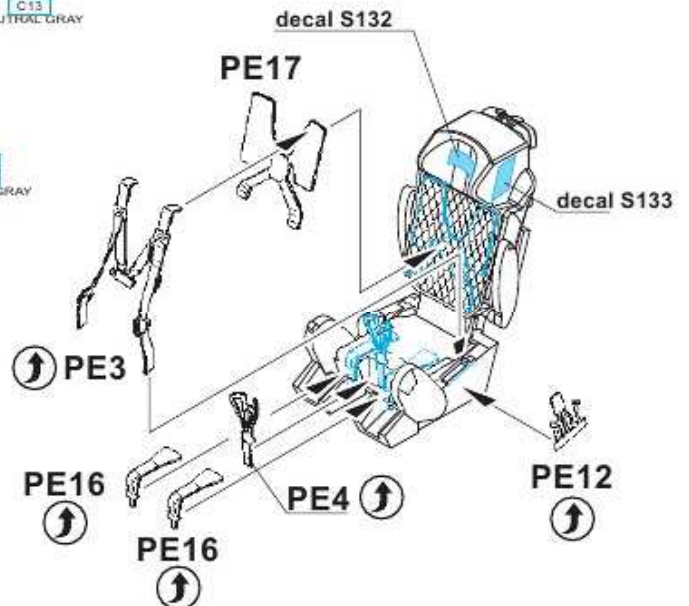
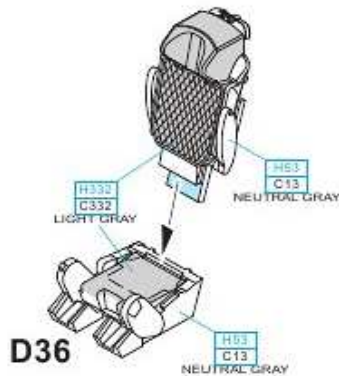
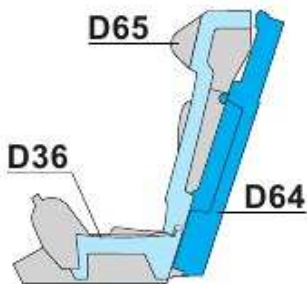
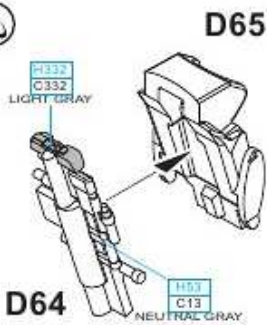
4 =

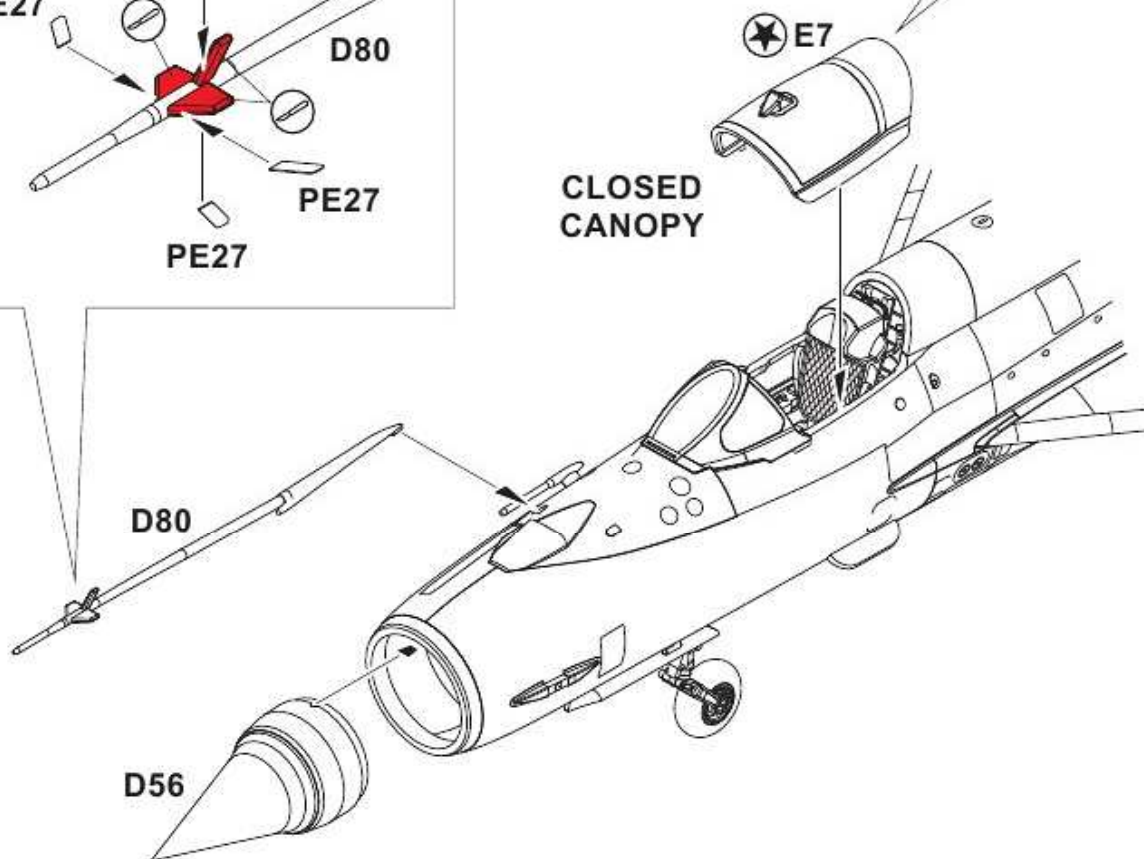
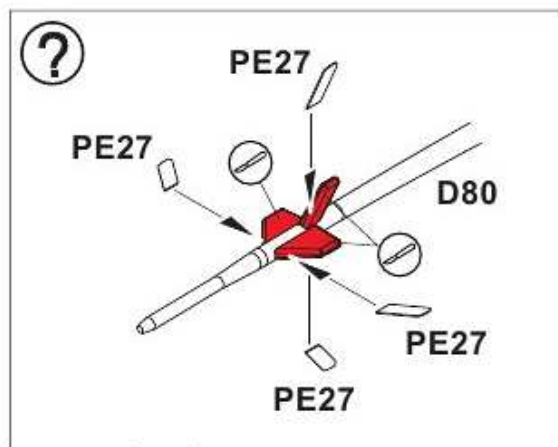
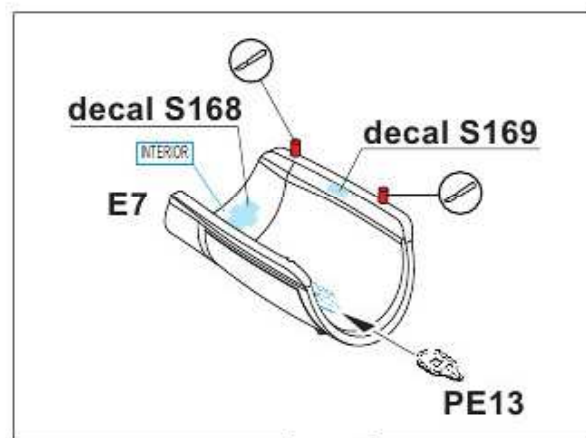
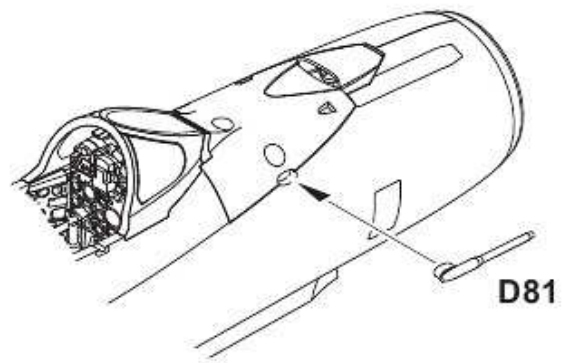
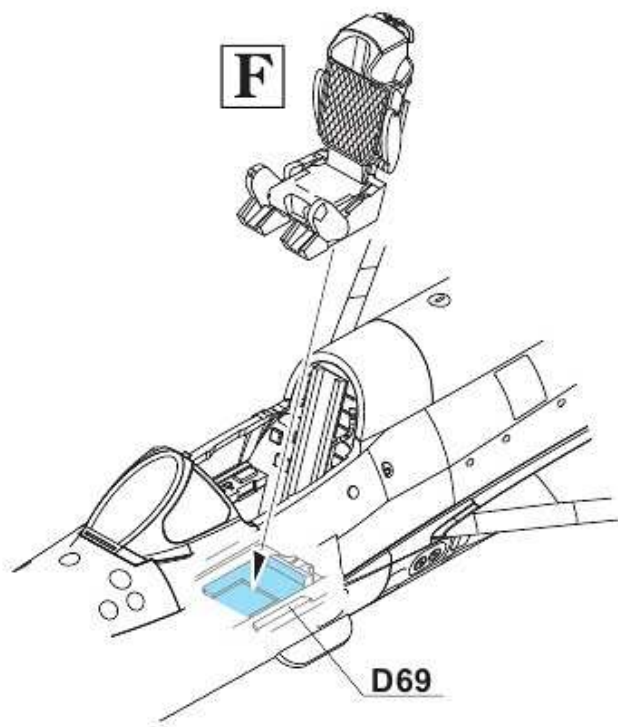
HST MMP C1 063	- MARKINGS A;D
LIGHT GULL GRAY	
HET MMP C11 057	- MARKINGS B;C
LIGHT BLUE	
H4 MMP C4 007	- MARKING E
YELLOW	

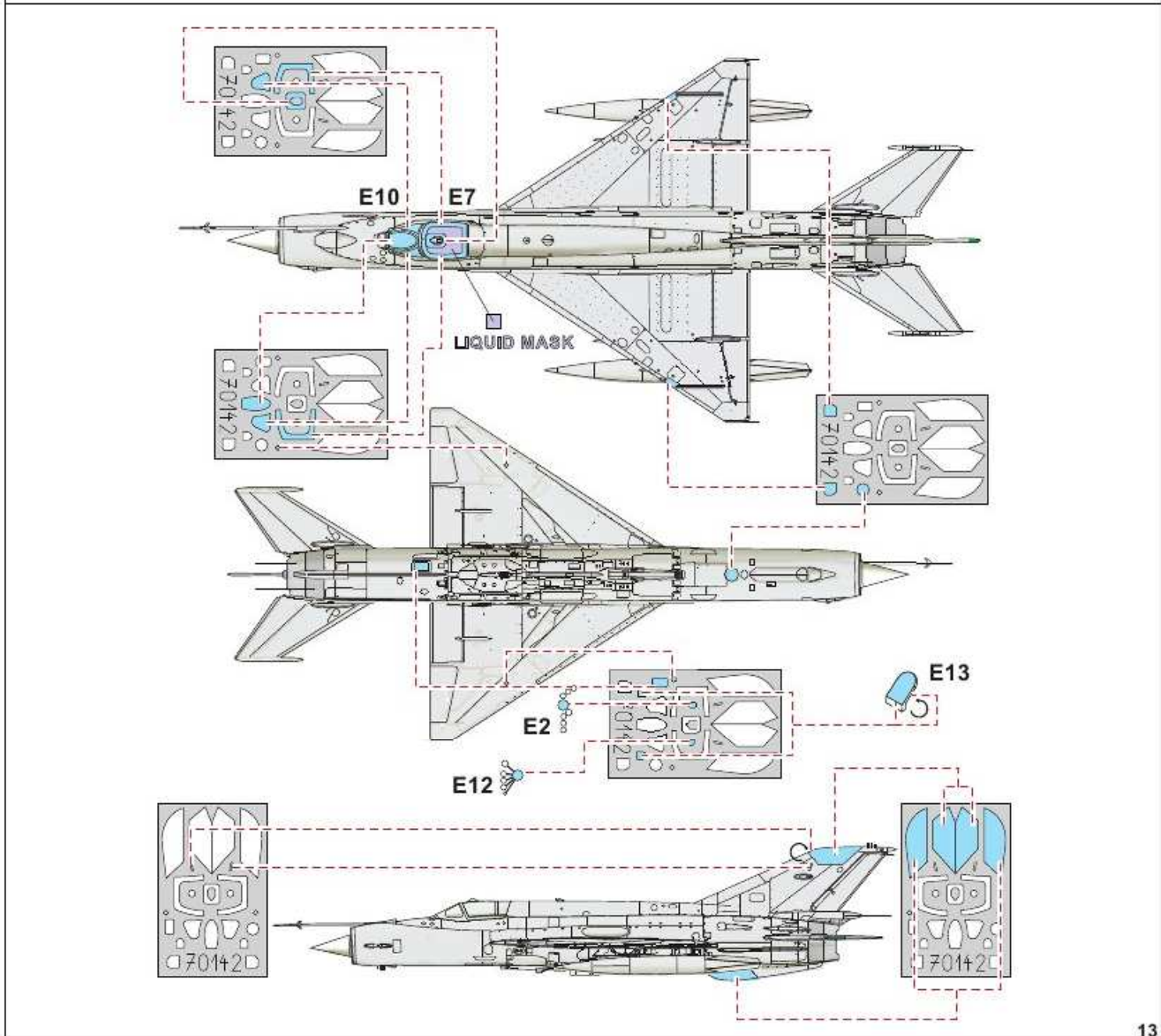
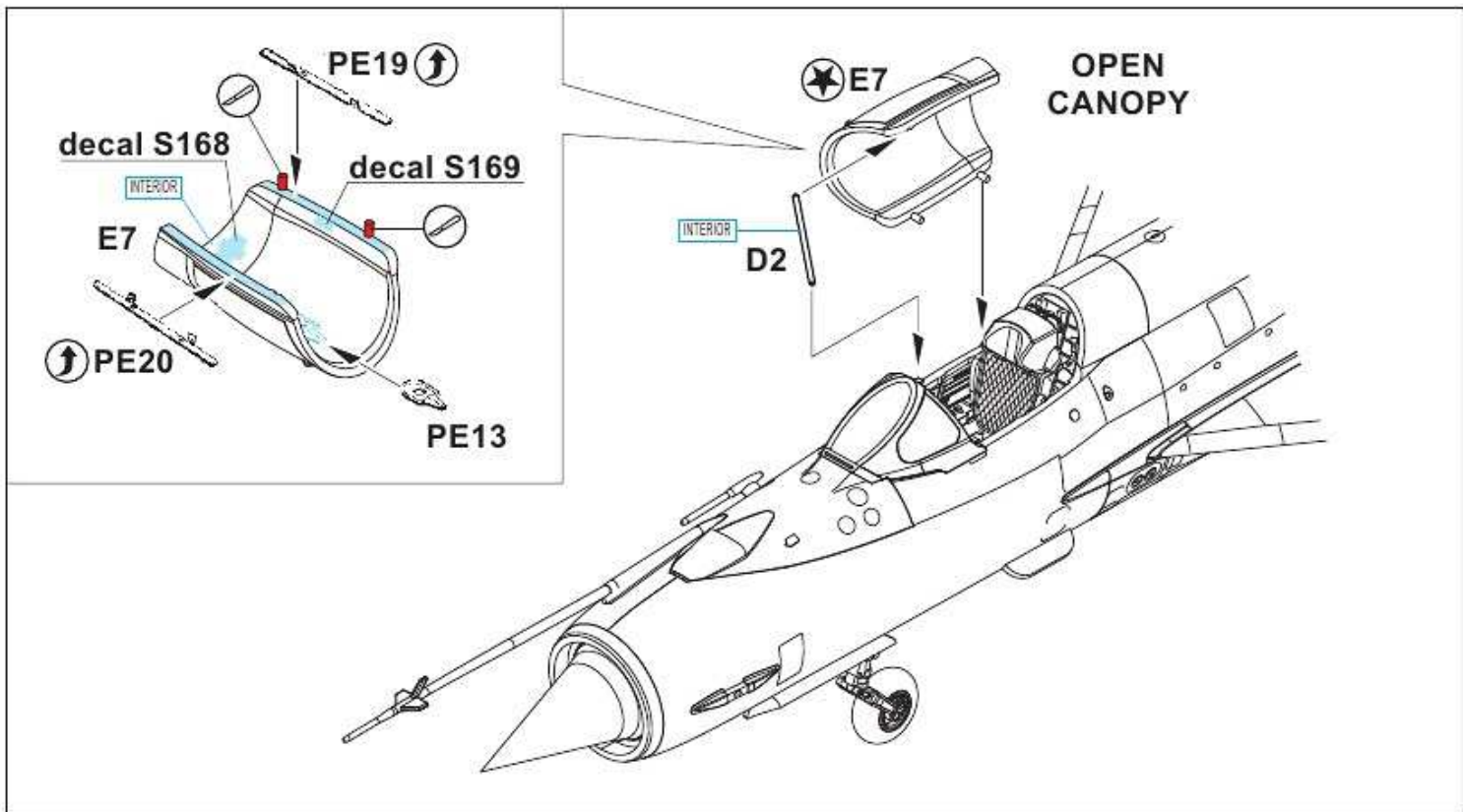




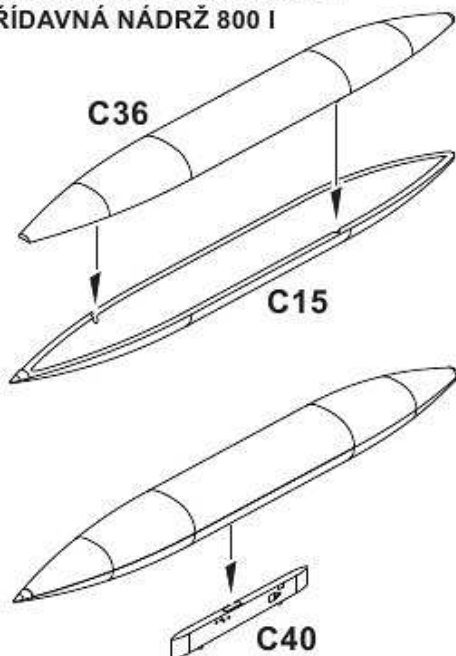
F



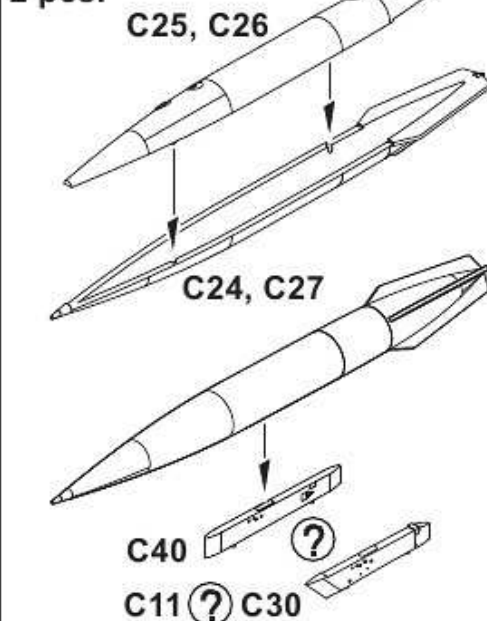




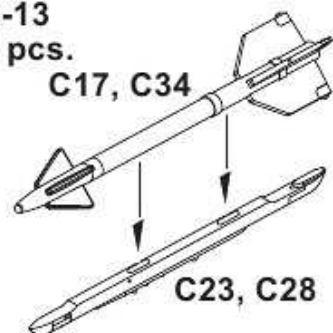
**EXTERNAL FUEL TANK 800 I
PŘÍDAVNÁ NÁDRŽ 800 I**



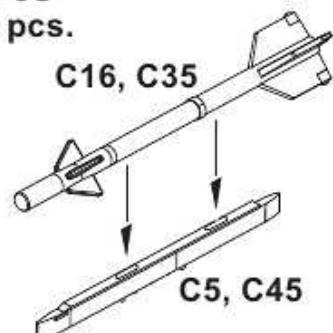
**EXTERNAL FUEL TANK 490 I
PŘÍDAVNÁ NÁDRŽ 490 I**



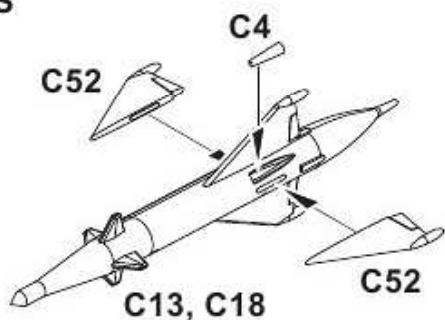
**R-13
2 pcs.**



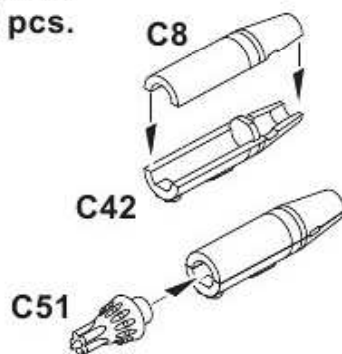
**R-3S
2 pcs.**



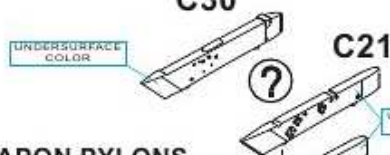
**RS-2US
2 pcs.**



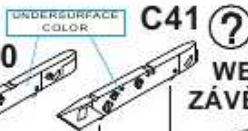
**UB-16
2 pcs.**



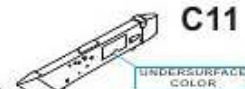
**EXTERNAL FUEL TANK PYLONS
ZÁVĚSNÍK
PŘ. NÁDRŽE
C30**



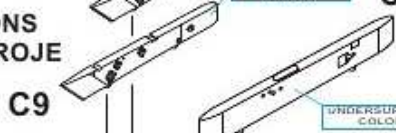
**EXTERNAL FUEL TANK PYLONS
ZÁVĚSNÍK
PŘ. NÁDRŽE
C10**



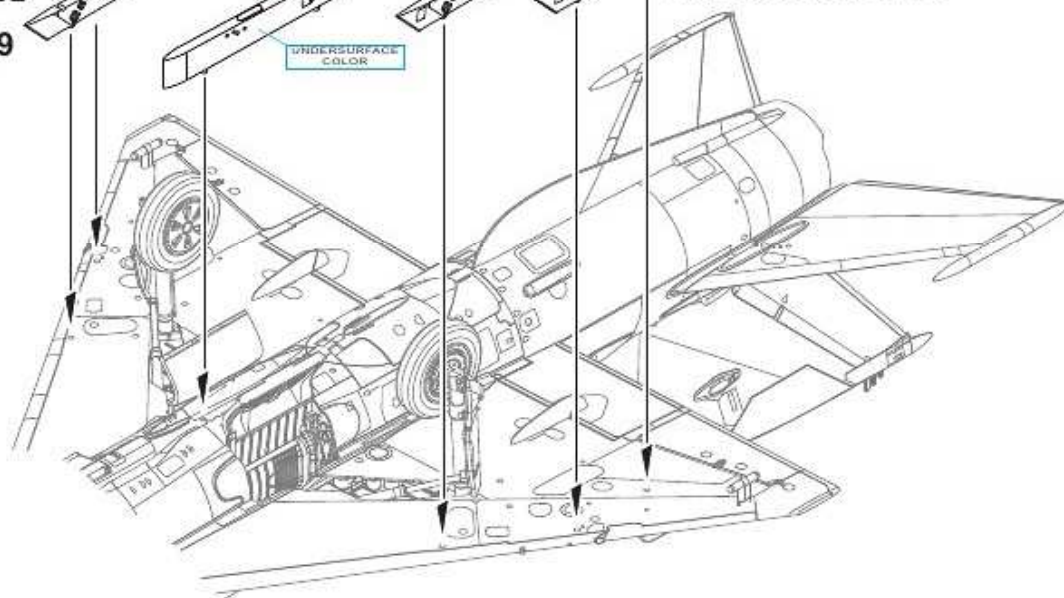
**EXTERNAL FUEL TANK PYLONS
ZÁVĚSNÍK
PŘ. NÁDRŽE
C11**

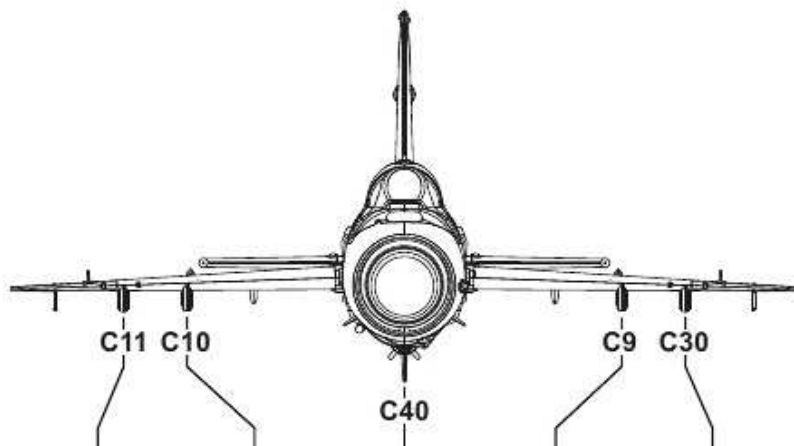


**WEAPON PYLONS
ZÁVĚSNÍK VÝZBROJE
C9**



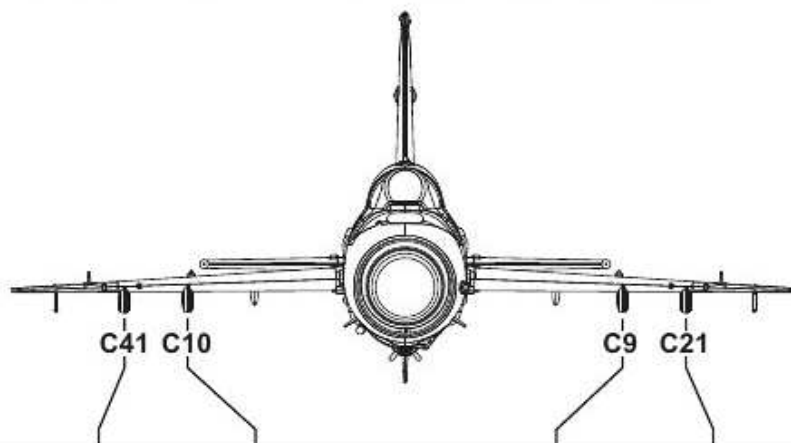
**WEAPON PYLONS
ZÁVĚSNÍK VÝZBROJE
C41**





EXTERNAL FUEL TANK 800 I	○			
EXTERNAL FUEL TANK 490 I	⊗			
EXTERNAL FUEL TANK 490 I	⊗		⊗	
EXTERNAL FUEL TANK 490 I 2x UB-16	⊗	⊗	⊗	⊗

TYPICAL ARMAMENT FOR QUICK REACTION ALERT DUTY



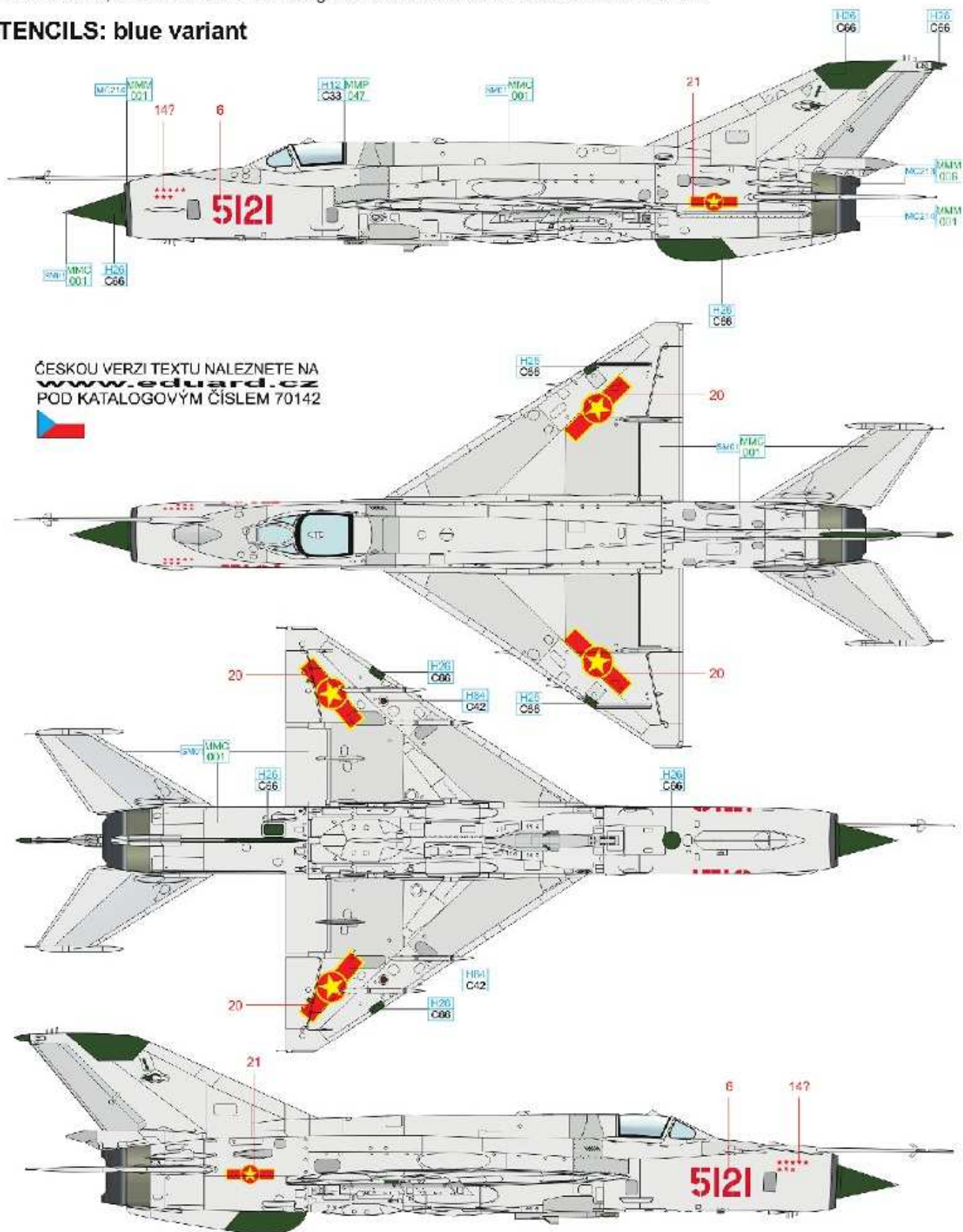
2x RS-2US	C5 ⊗	C38 ⊗	C38 ⊗	C45 ⊗
2x R-3S				
2x RS-2US	C23 ⊗	C38 ⊗	C38 ⊗	C28 ⊗
2x R-13				
4x UB-16	⊗	⊗	⊗	⊗

**TO CHOOSE WEAPON AND EXTERNAL FUEL TANK OPTION PLEASE FOLLOW YOUR REFERENCE.
PRO VOLBU VÝZBROJE A PŘÍDAVNÝCH NÁDRŽÍ SE DRŽTE DOKUMENTACE KONKRÉTNÍHO STROJE.**

A No. 5121, flown by Pham Tuan, 921st Fighter Regiment, Noi Bai AB, Democratic Republic of Vietnam, December 1972

MiG-21MF coded 5121 is currently displayed in the museum of the Vietnam People's Air Force in Hanoi. Reportedly, on December 27th, 1972, Pham Tuan flew this aircraft when he shot down an American B-52 taking part in bombing operations during the Linebacker II offensive. It would be the only MiG-21MF kill over a Stratofortress, but American sources claim the bomber was lost to a SAM. Pham Tuan would later become the only Vietnamese astronaut. He was a crewmember of Soyuz 37 and orbited the earth 142 times in the Salyut 6 station. For his accomplishments, he was awarded high Vietnamese commendations, and was one of a few foreigners to be awarded the Hero of the Soviet Union.

STENCILS: blue variant

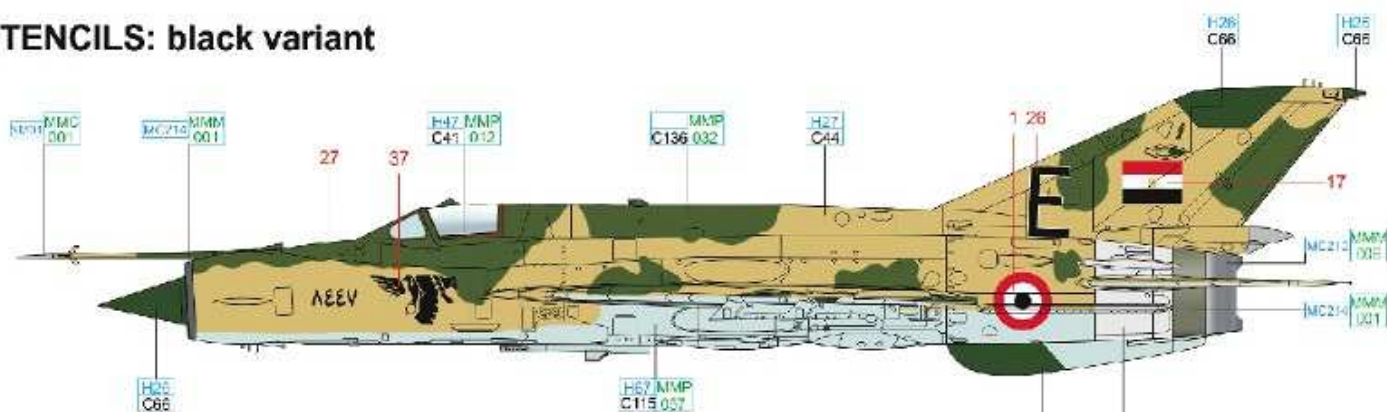


ČESKOU VERZI TEXTU NÁLEZNETE NA www.eduard.cz POD KATALOGOVÝM ČÍSLEM 70142

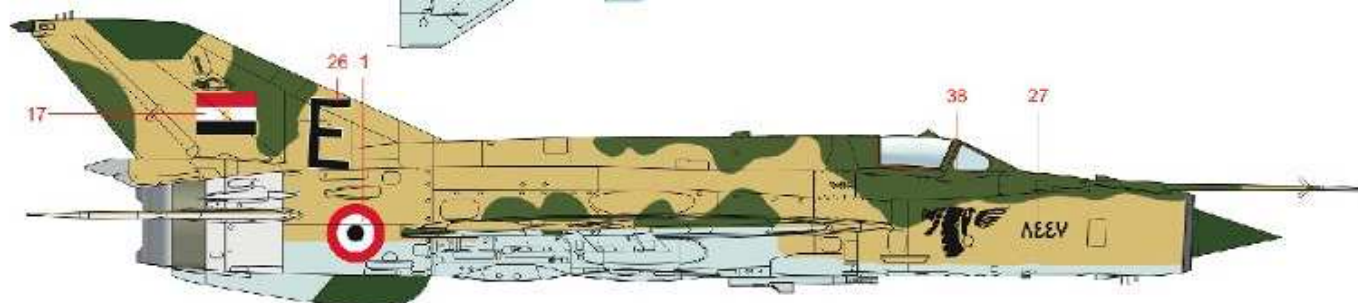
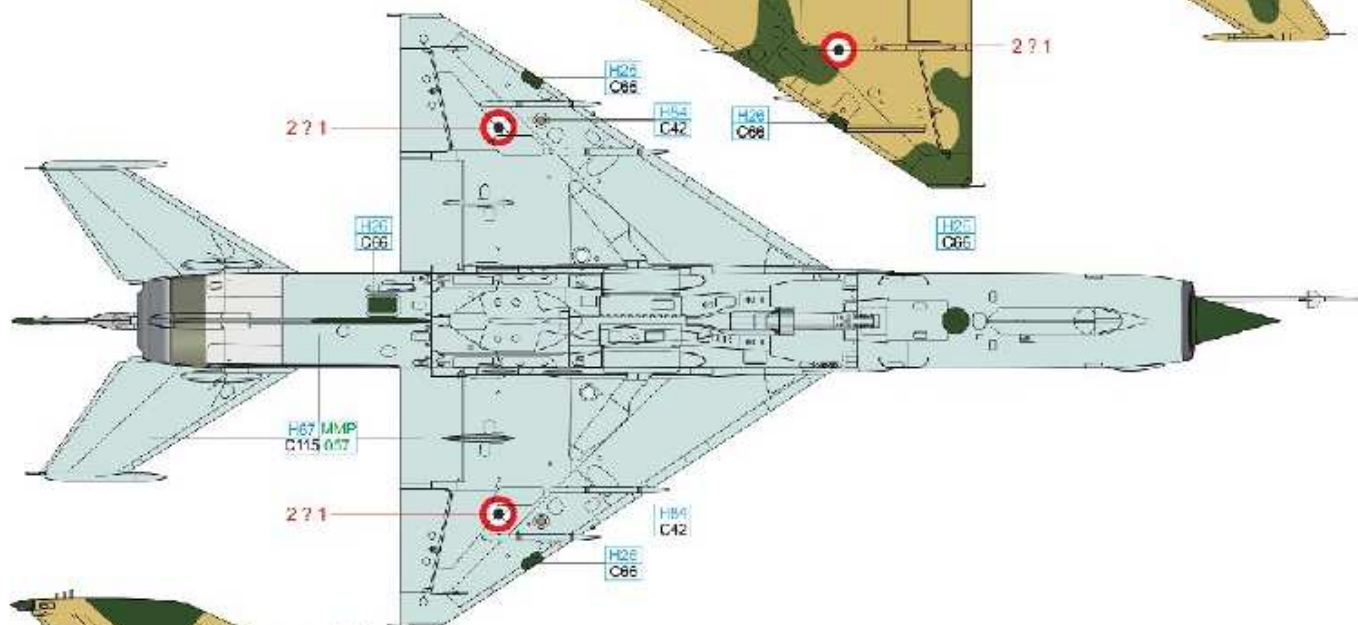
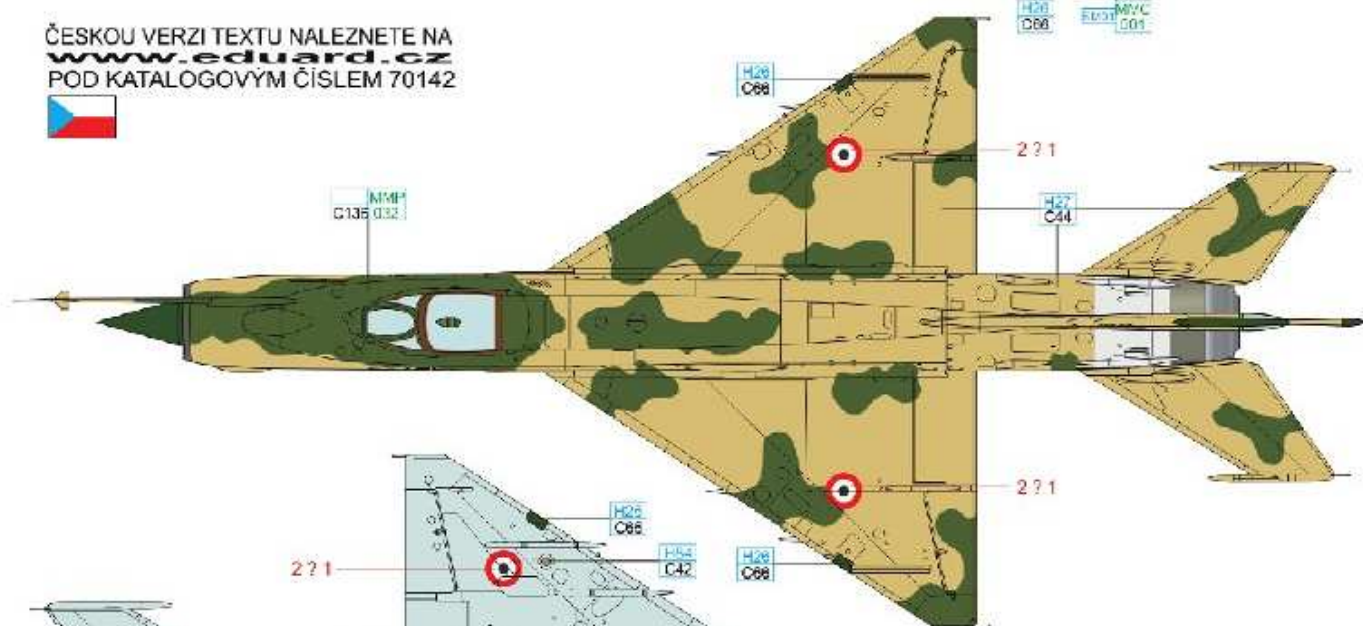


This is an aircraft from No.46 Squadron as it appeared during combat exercises prior to the Yom Kippur War in 1973. For the purposes of quick identification, aircraft carried a large black, outlined in white, letter on the fin. The nose carries a rendering of the goddess Nekhbet, protector of Upper Egypt. Aircraft coded 8447 survived the Yom Kippur War and was photographed in this guise at Cairo in October 1975.

STENCILS: black variant



ČESKOU VERZI TEXTU NALEZNETE NA
www.eduard.cz
 POD KATALOGOVÝM ČÍSLEM 70142



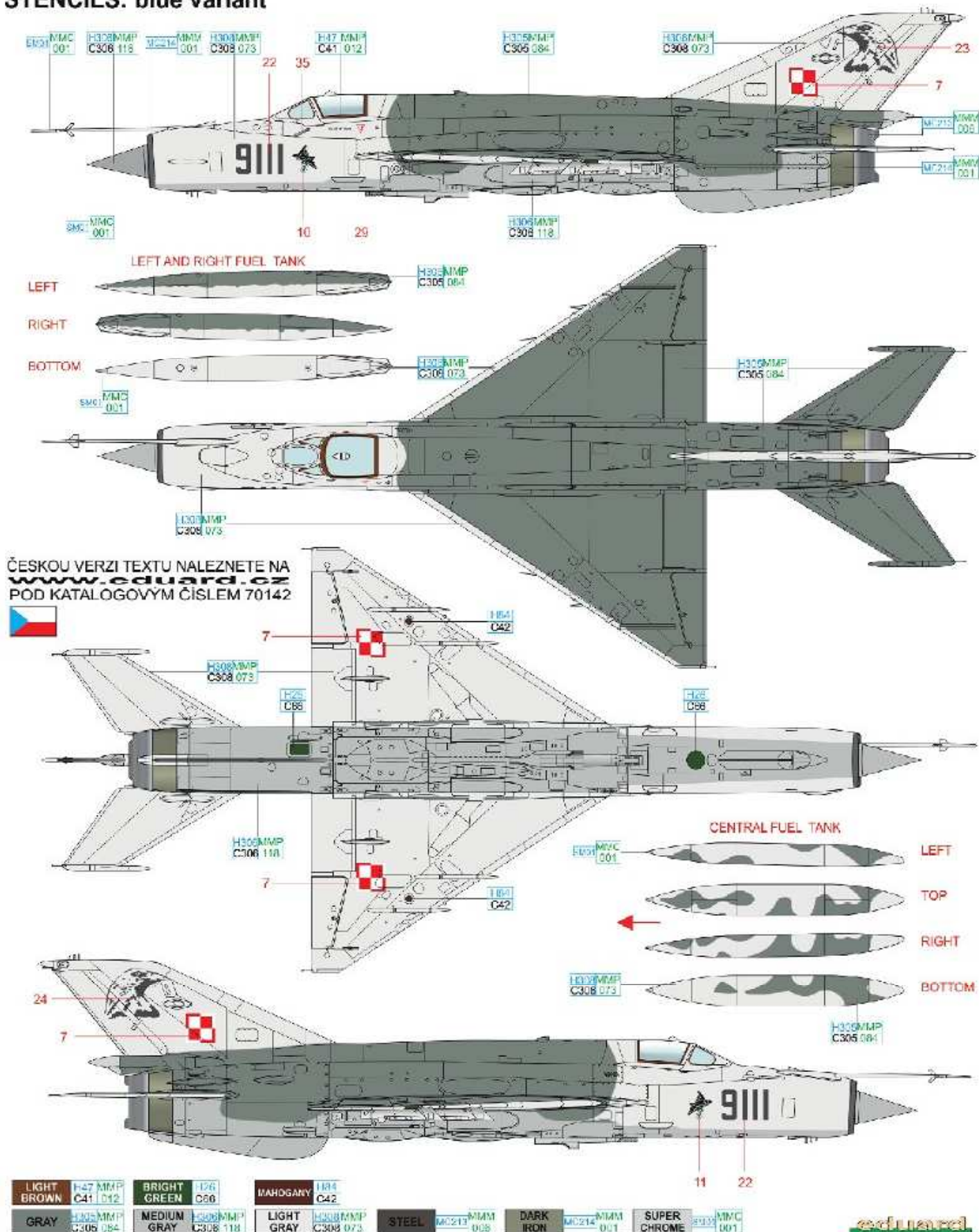
MAHOAGANY H24 C42 RED BROWN H47 MMP C41 012

STEEL WC213 MIM D05 DARK IRON WC214 MIM D01 SUPER CHROME F301 MMD D01 TAN H27 C44 LIGHT BLUE H67 MMP C115 057 GREEN MIM C136 032 BRIGHT GREEN H26 C66



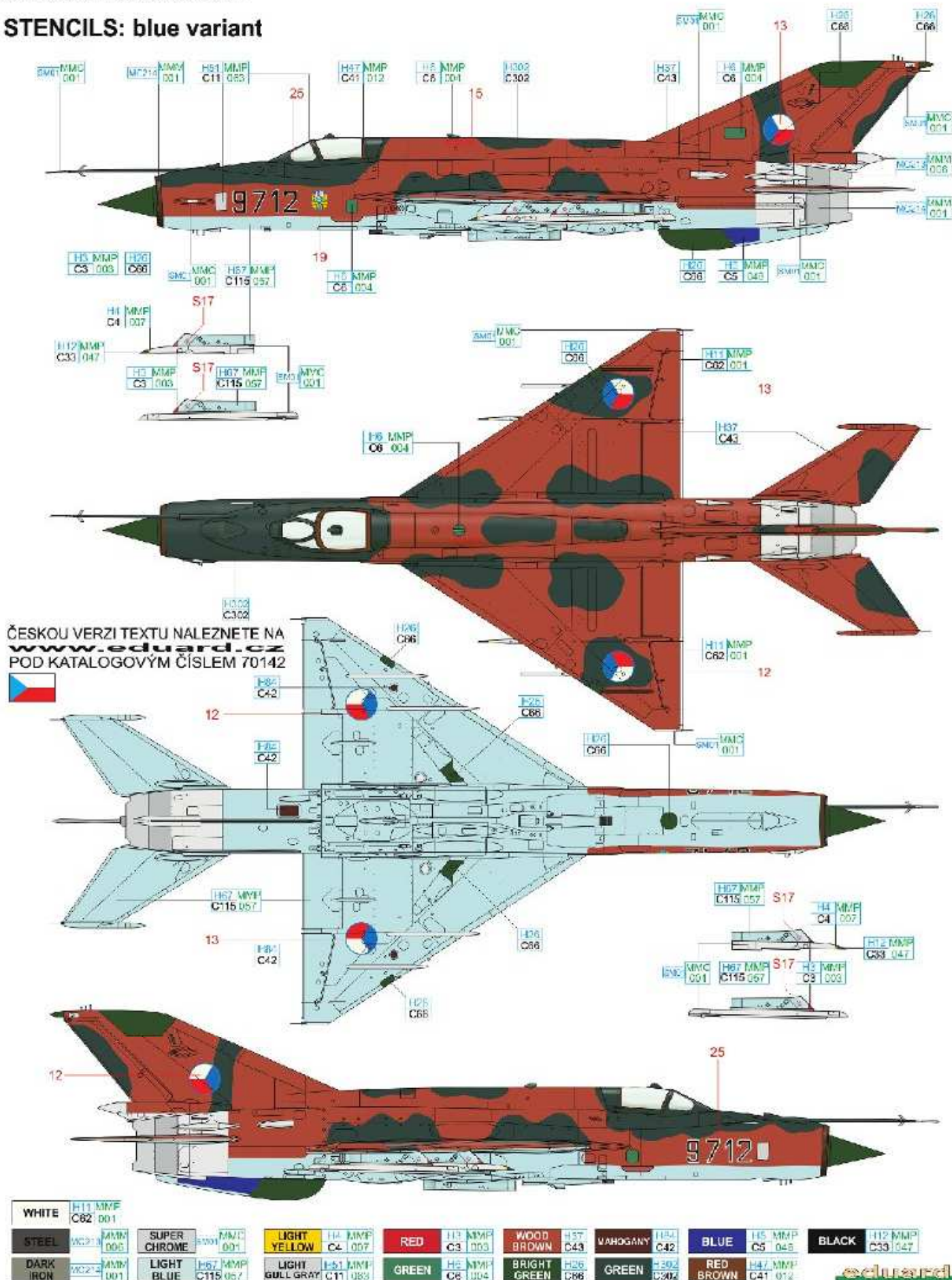
The 3rd ELT was formed on January 1st, 2001 at Poznan - Krzesiny and was equipped with MiG-21MF, bis and UM aircraft. The unit only used the MiG-21MFs for two years, ending their use in 2002. The bis version was flown by the pilots of the 3rd ELT until 2003 when it was decided to re-equip the unit with American F-16s. On April 1st, 2008, the 3rd ELT, 6th ELT and the 31st Baza Lotnicza were disbanded and the 31st Baza Lotnictwa Taktycznego (31st tactical Air Base) was formed. Since 2007, this aircraft has been displayed at Poznan - Krzesin. The aircraft is camouflaged in shades of grey that is used on F-15s and F-16s. The raven's head marking on the fin hails from 2002 on the occasion of a CO's gathering in Berlin. Below the windscreen is the 3rd Squadron marking, the predecessor of the 3rd ELT.

STENCILS: blue variant

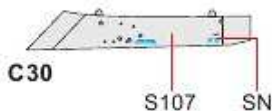


This aircraft had the serial number 969712, and was built in 1974, and subsequently delivered to Czechoslovakia. It served with the 4th Fighter Regiment at Pardubice till May 1989, at which time it was transferred to the 9th Fighter Regiment. Here, it flew with the Bechyne coat of arms on the left side of the nose. After the Velvet Divorce, this aircraft was assigned to the Slovak Air Force, and is currently in the collection of the air museum at Trencin, Slovakia. The aircraft carries a camouflage scheme as originally delivered from the Soviet Union.

STENCILS: blue variant



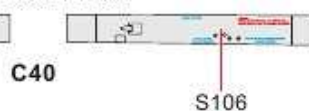
LEVÝ VNĚJŠÍ PALIVOVÝ PYLON
LEFT OUTSIDE UNDERWING TANK PYLON



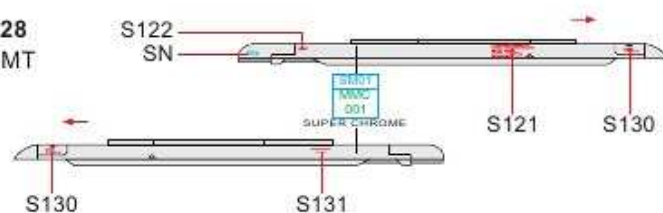
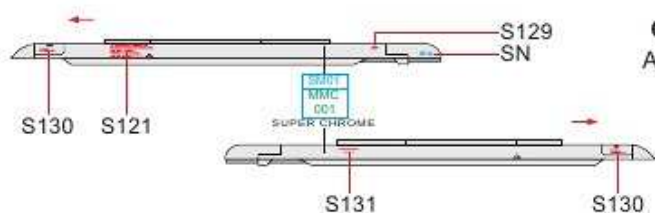
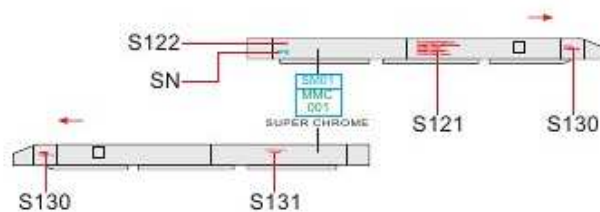
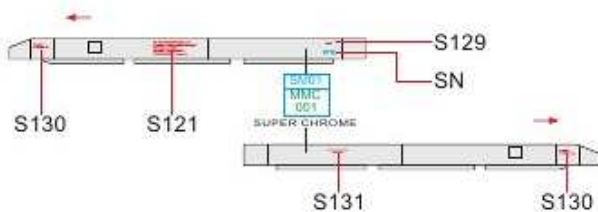
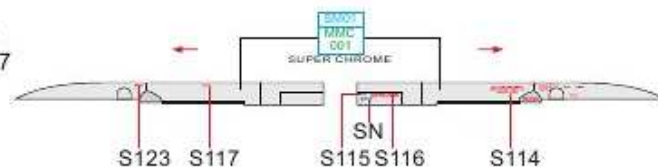
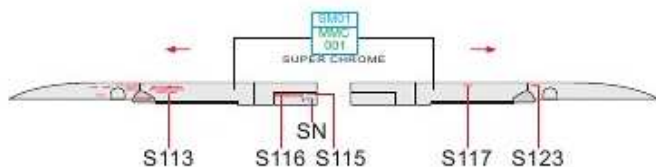
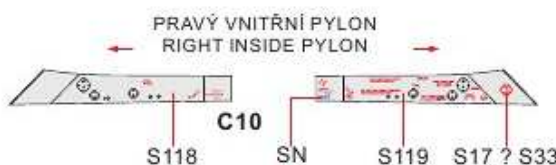
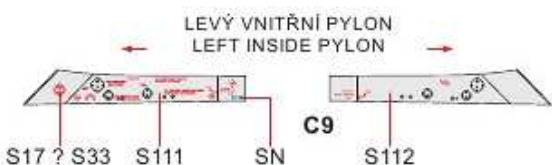
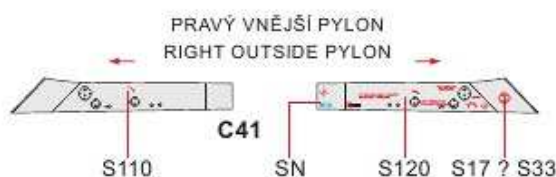
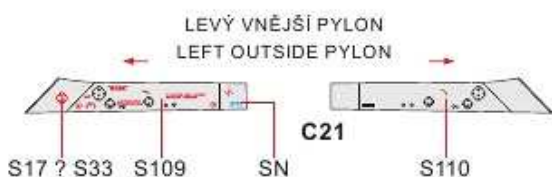
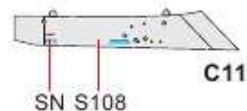
SN - SERIAL NUMBER
MALÉ NA DRÁK LETOUNU
STŘEDNÍ NA ZÁVĚSNÍKY
VELKÉ NA RAKETNICE

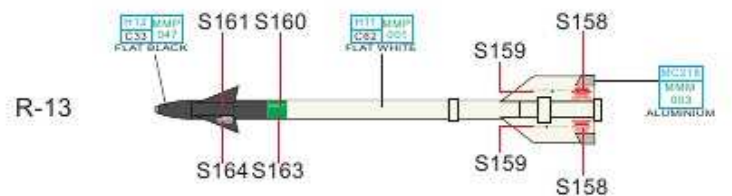
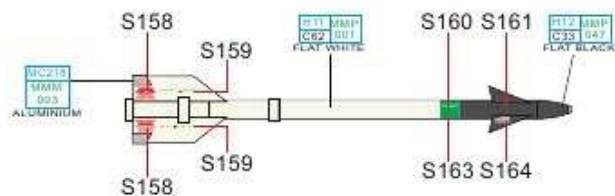
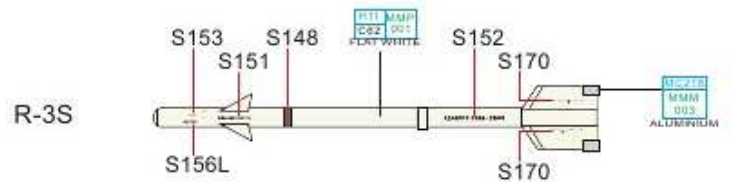
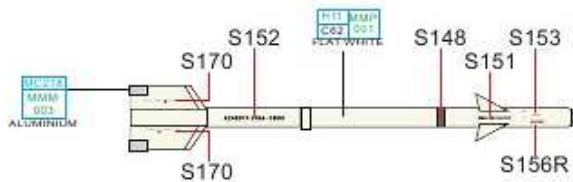
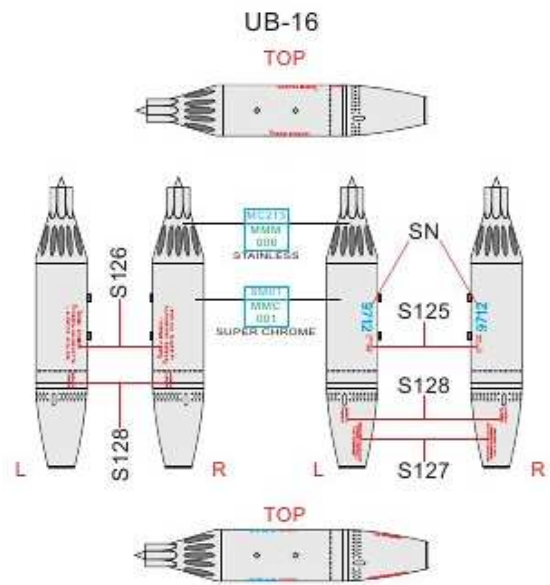
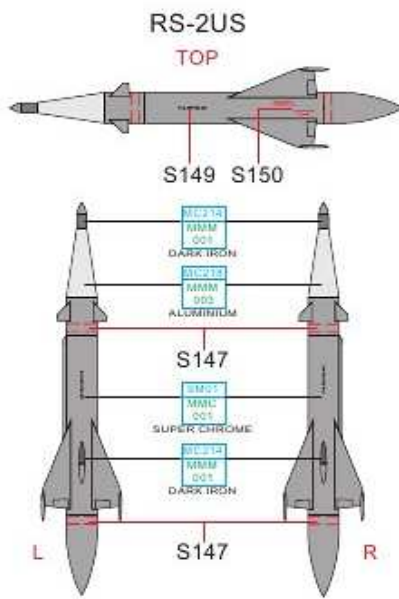
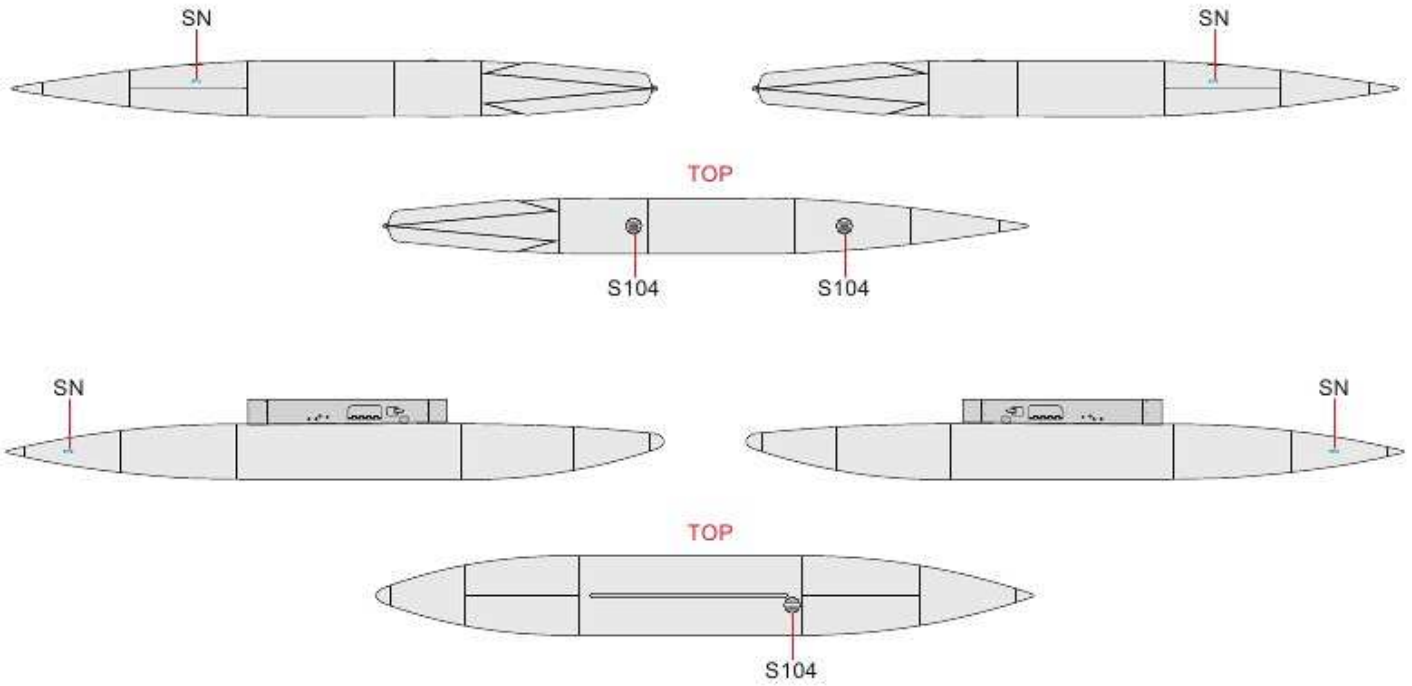
SN - SERIAL NUMBER
SMAL TO AIRFRAME
MEDIUM TO PYLONS
LARGE TO ROCKET LAUNCHERS

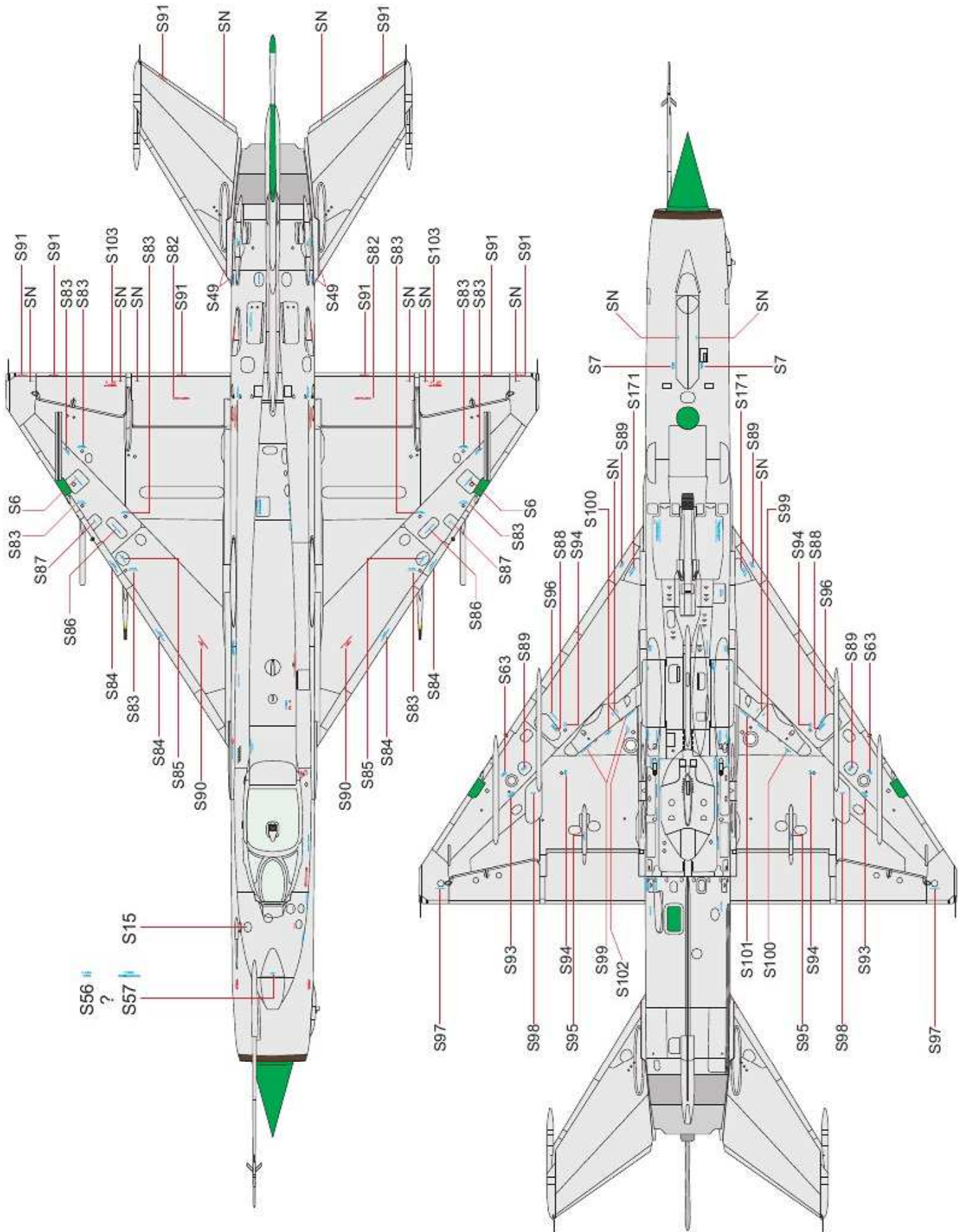
PODTRUPOVÝ PYLON
FUSELAGE PYLON

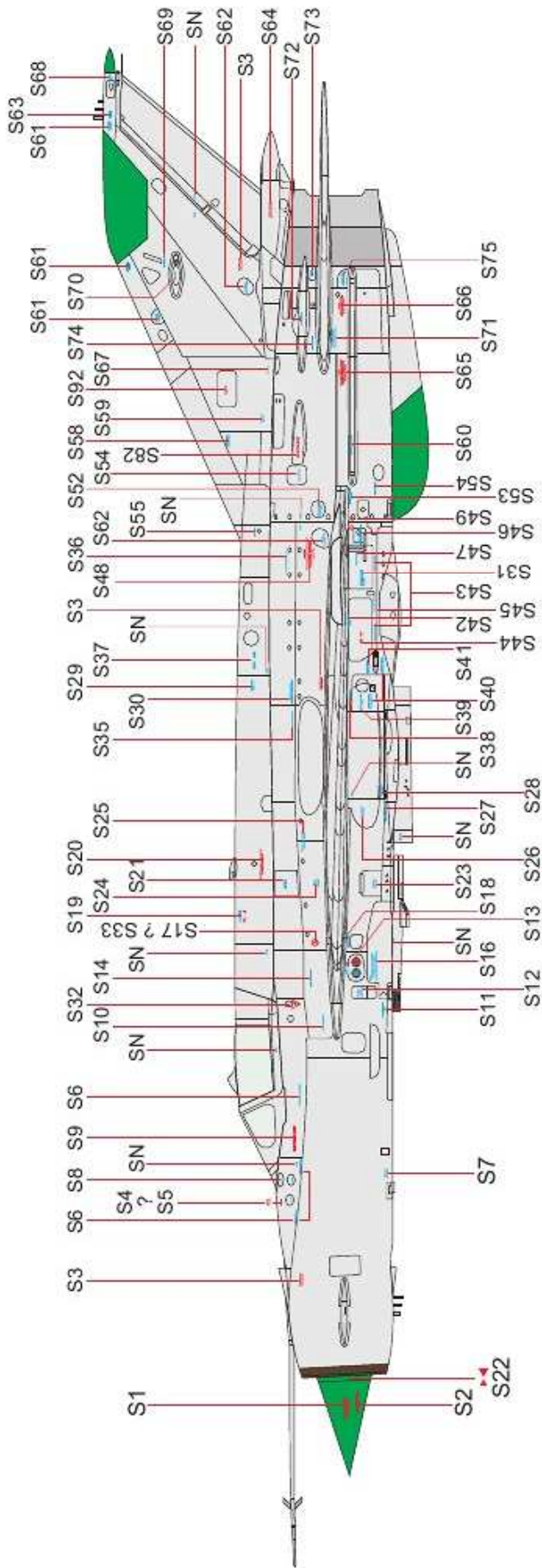


PRAVÝ VNĚJŠÍ PALIVOVÝ PYLON
RIGHT OUTSIDE UNDERWING TANK PYLON









SN - SERIAL NUMBER
 SNAL TO AIRFRAME
 MEDIUM TO PYLONS
 LARGE TO ROCKET LAUNCHERS

SN - SERIAL NUMBER
 MALÉ NA DRÁK LETOUNU
 STŘEDNÍ NA ZÁVĚSNIKY
 VELKÉ NA RAKETNICE

