



LIMITED EDITION

SOVA-M
SVM-72014

HFB-320/EMC
Hansa Jet



UNASSEMBLED PLASTIC MODEL KITS

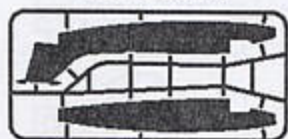
SCALE:1/72

232 mm

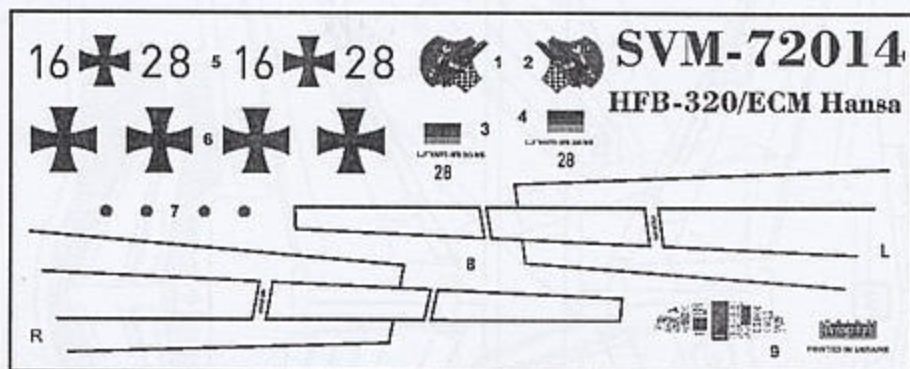


202 mm

187 parts



DECALS



ONE VERSION OF COLOURING

The HFB-320 Hansa Jet is a twin-engine, ten-seat business jet that was built by German aircraft manufacturer Hamburger Flugzeugbau between 1964 and 1973. The prototype first flew on 21 April 1964 and was exhibited at the May 1964 Hanover Air Show. A second prototype was flown on 19 October 1964. The German Air Force had ordered 13 HFB 320s in 1963. As part of the evaluation of the type, two preproduction aircraft were delivered to the ErpSt 61 test wing at Oberpfaffenhoffen in 1966. This resulted in six aircraft being ordered for VIP use by the German Air Force. Production deliveries for use as VIP transports commenced in 1969.

The model is executed on technology short run and is intended only for experienced modelers.

Word-wide distributor for Sova-M kits:
ModelSvit Balkans Ltd. 4003 Plovdiv,
Bulgaria 9, zk Maritza Gardens.
Tel. +359 32 397 069,
E-Mail: modelsvitbalkans@gmail.com
MADE IN UKRAINE

PAINTS


- | | |
|-------------------------------|----------------------------------|
| A HUMBROL 67 TANK GREY | B HUMBROL 145 MEDIUM GREY |
| C HUMBROL 79 BLUE GREY | D HUMBROL 85 COAL BLACK |
| E HUMBROL 33 BLACK | F HUMBROL 34 WHITE |
| G HUMBROL 56 ALUMINIUM | H HUMBROL 27004 GUN METAL |

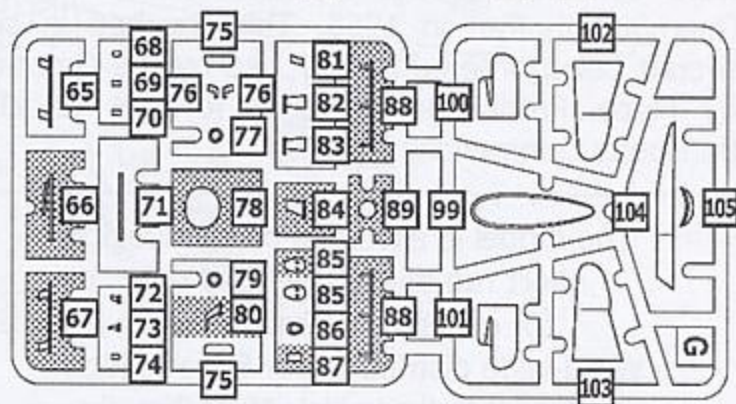
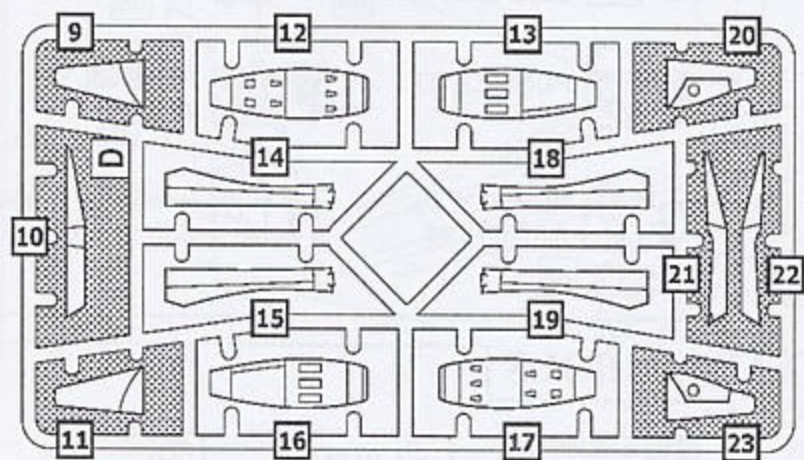
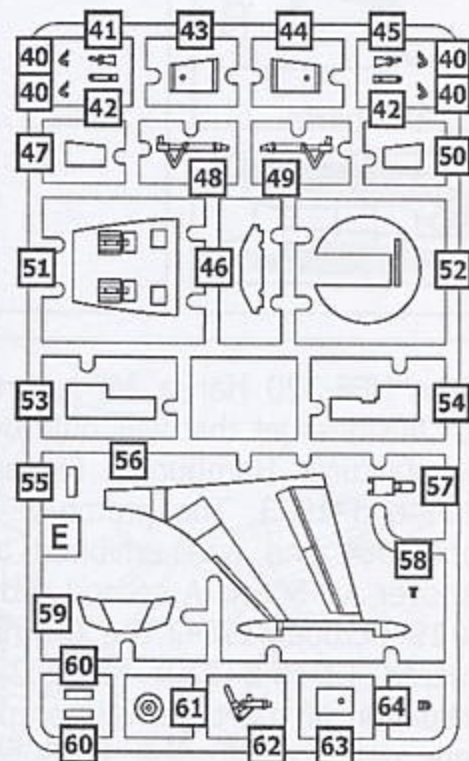
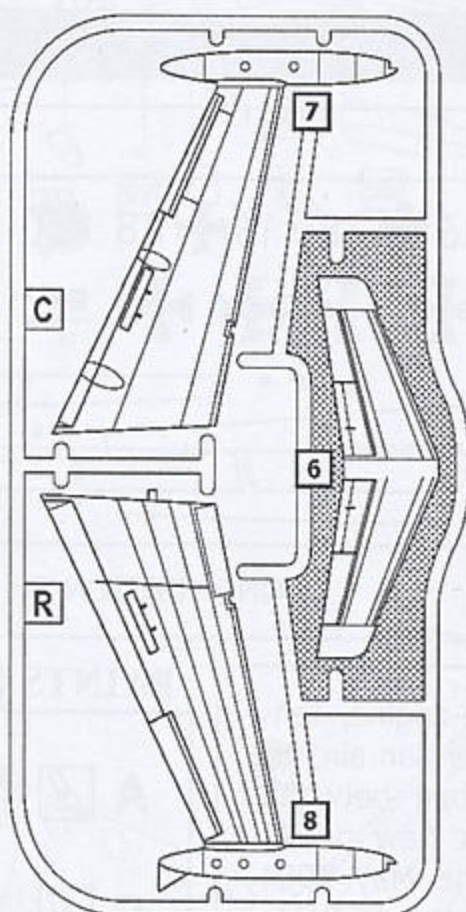
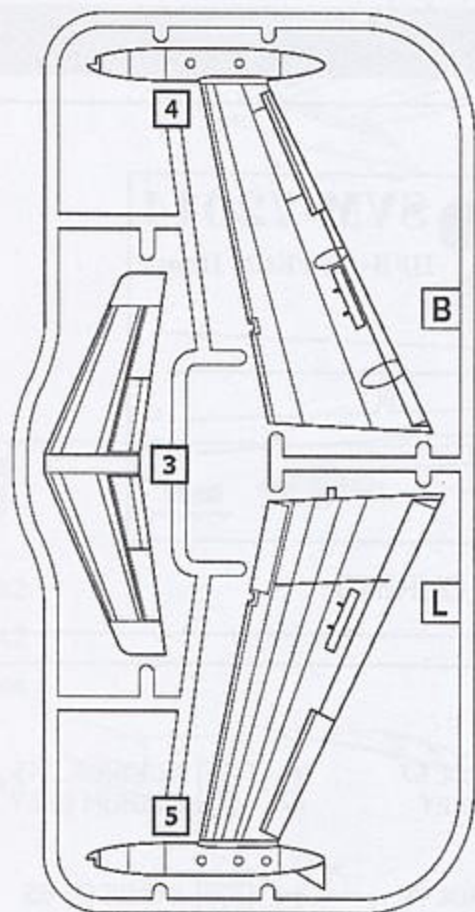
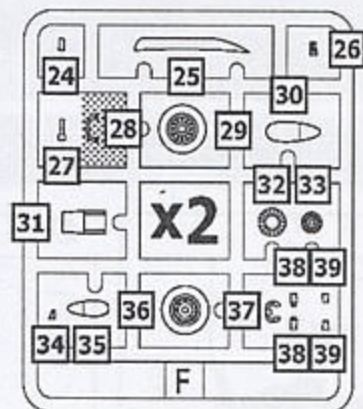
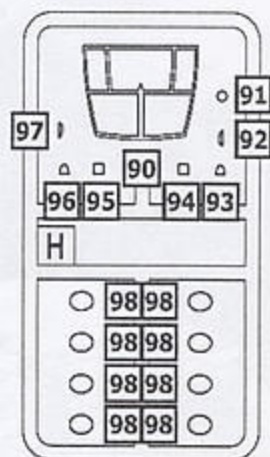
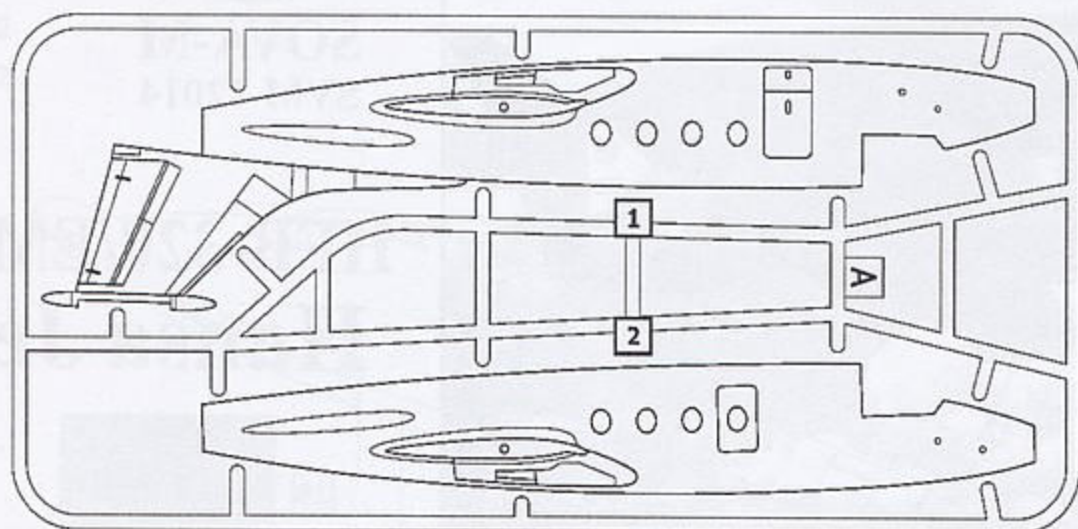
SYMBOLS

- | | | |
|----------------------------------|-------------------|---------------|
| 1 STAGES OF ASSEMBLY | TO PAINT | TO BEND |
| 1 NUMBER PARTS | GLUE | SCRATCH BUILT |
| APPLY DECALS | DON'T GLUE | OPEN HOLE |
| x2 QUANTITY OF OPERATIONS | НА ВИБІР OPTIONAL | CUT OUT |

SET OF THE PARTS



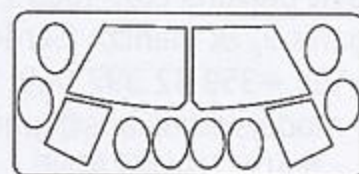
 PARTS NOT FOR USE



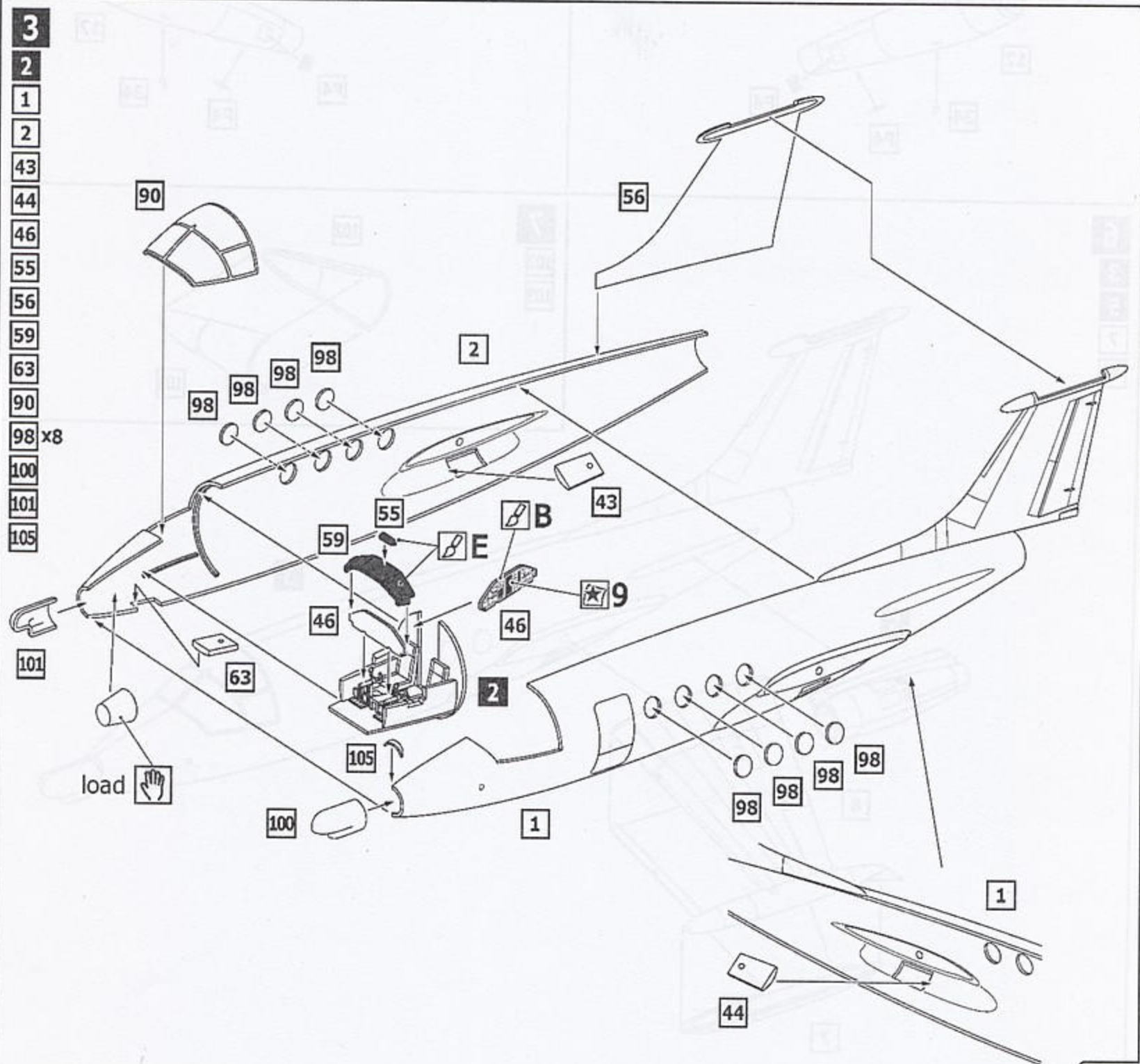
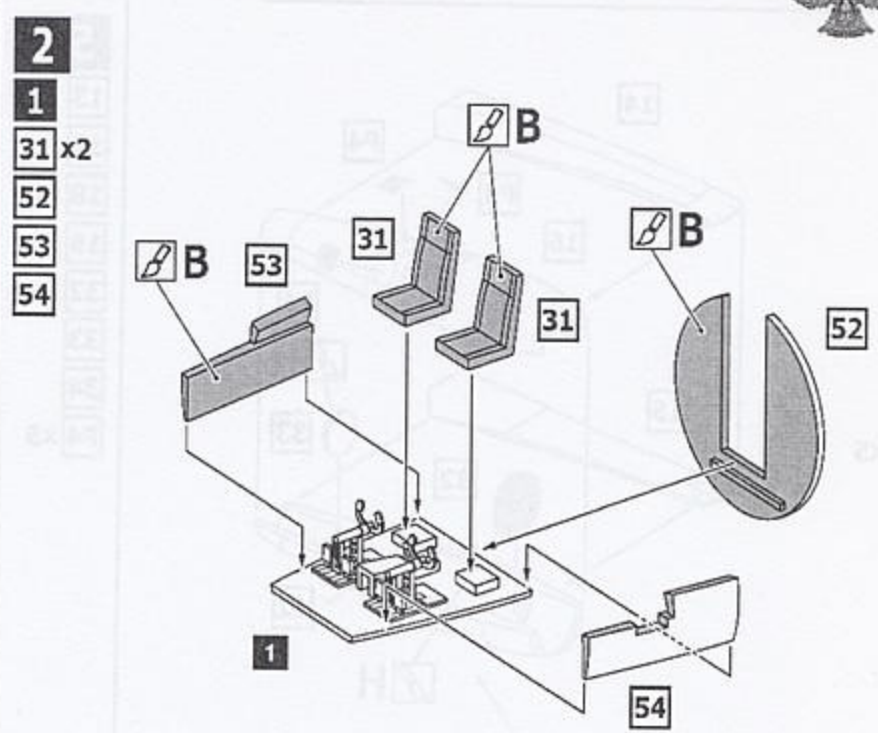
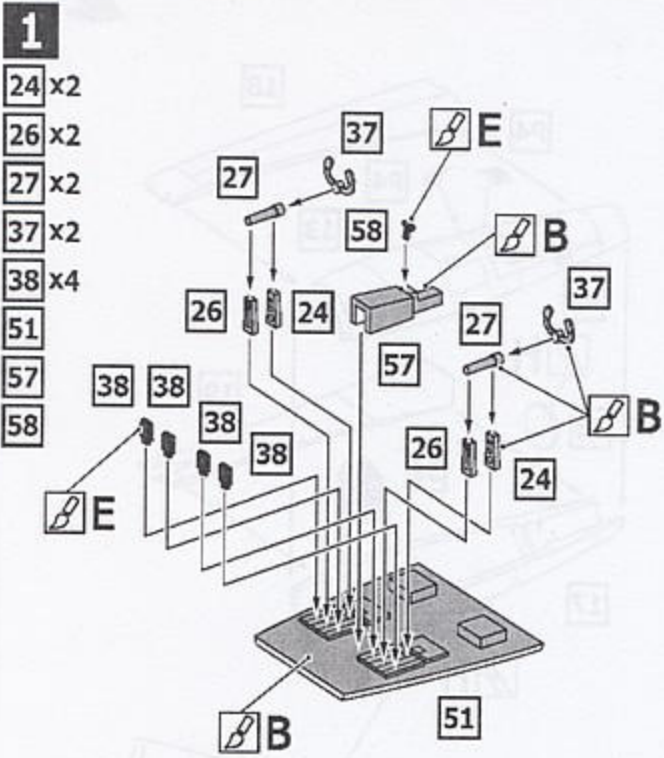
P



MASKS FOR PAINTING



ASSEMBLY INSTRUCTION

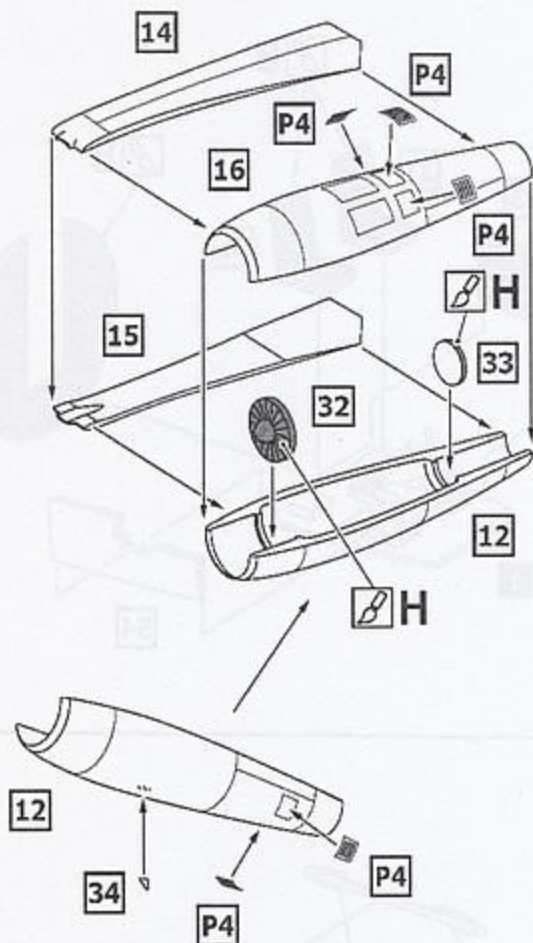


ASSEMBLY INSTRUCTION



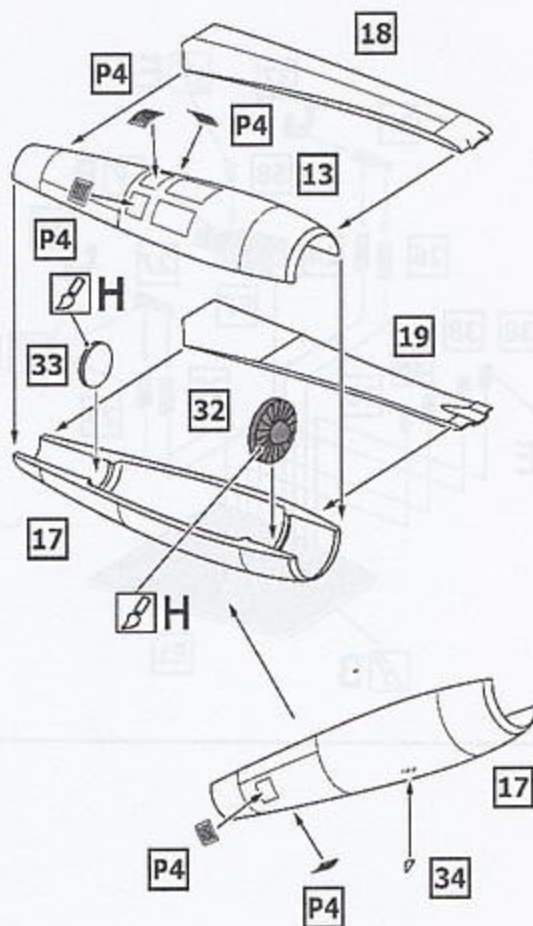
4

- 12
- 14
- 15
- 16
- 32
- 33
- 34
- P4 x5



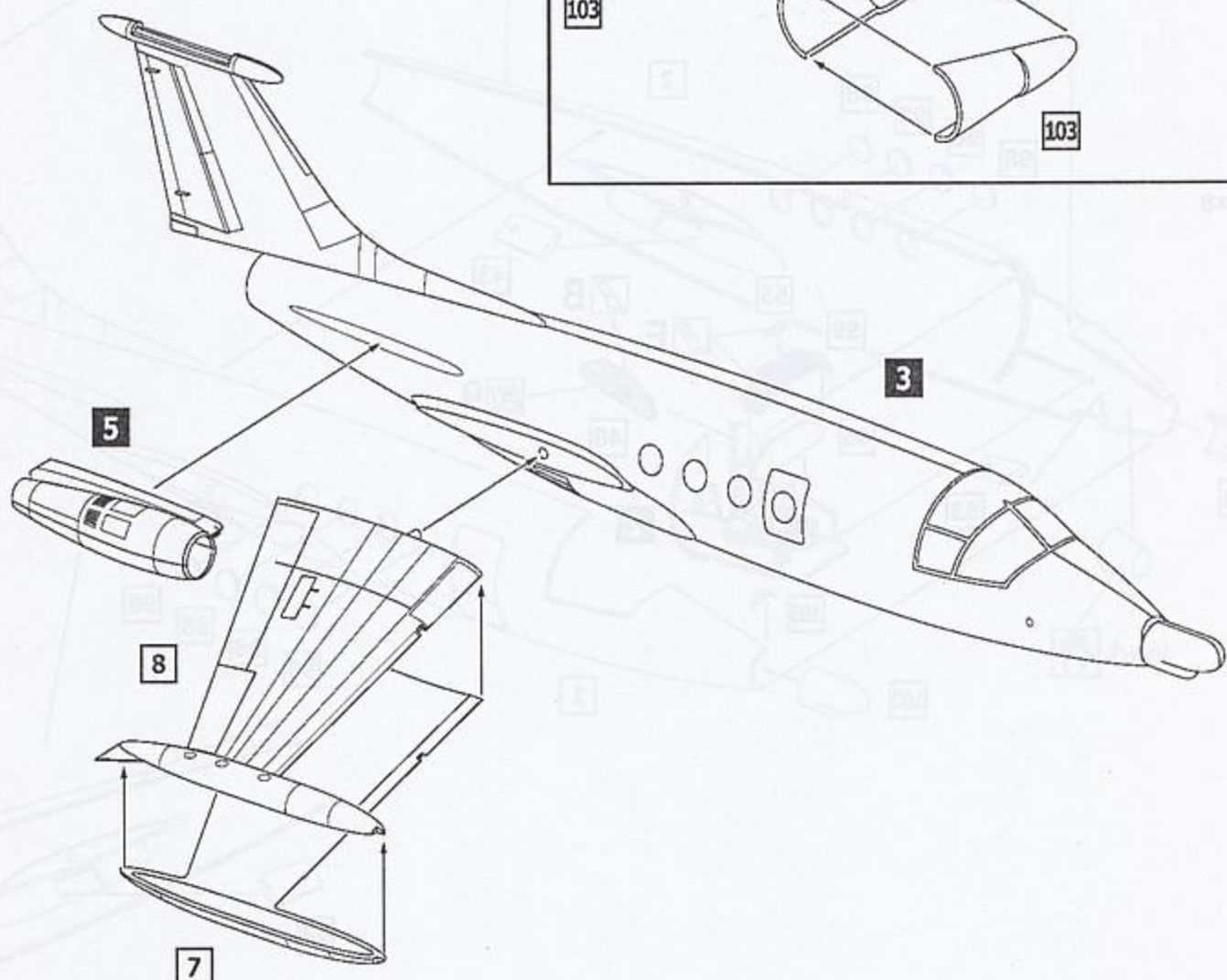
5

- 13
- 17
- 18
- 19
- 32
- 33
- 34
- P4 x5



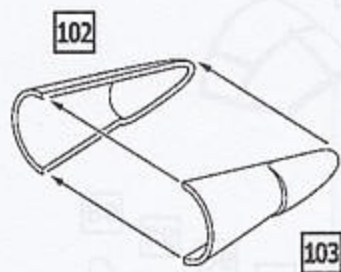
6

- 3
- 5
- 7
- 8



7

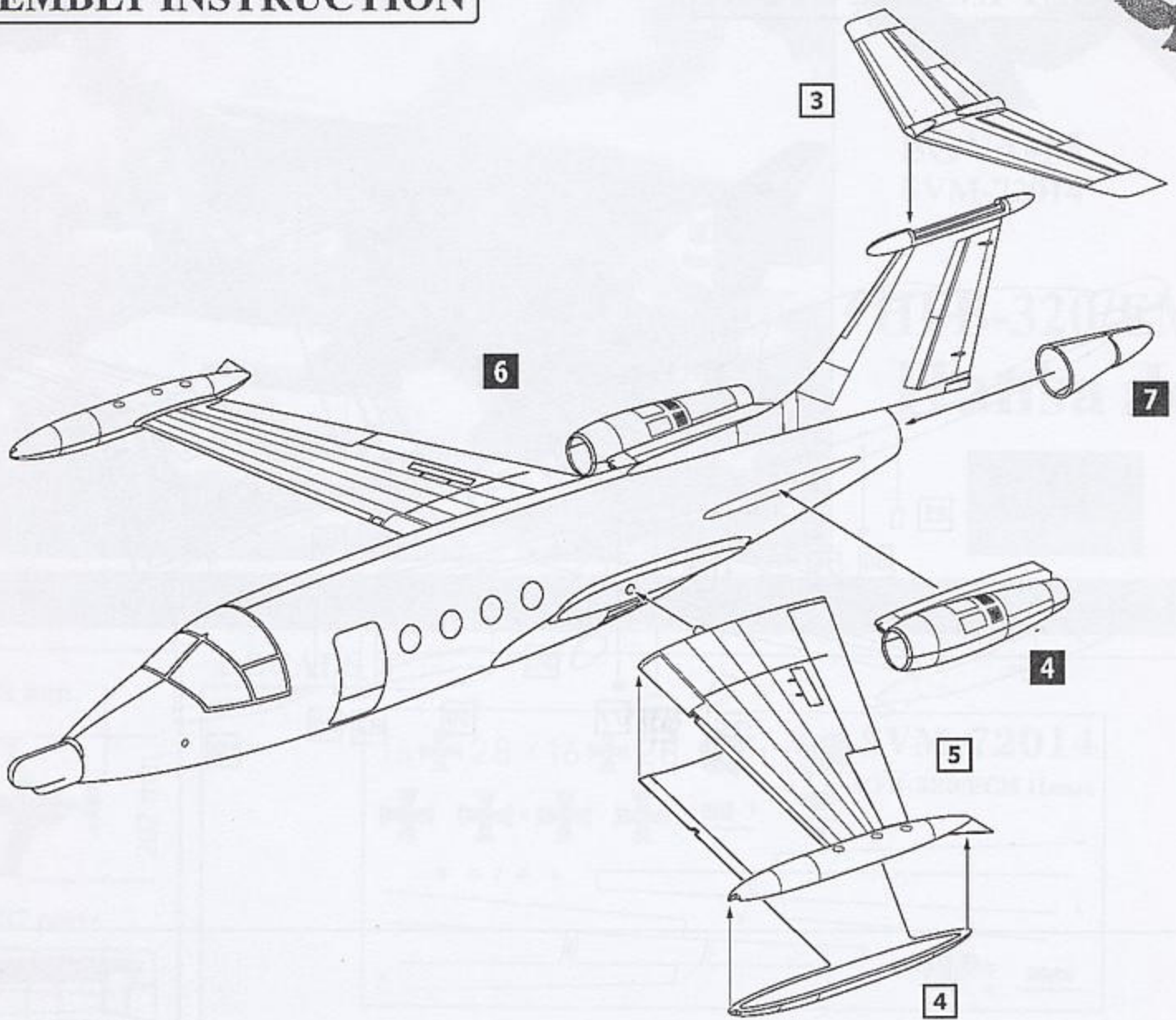
- 102
- 103



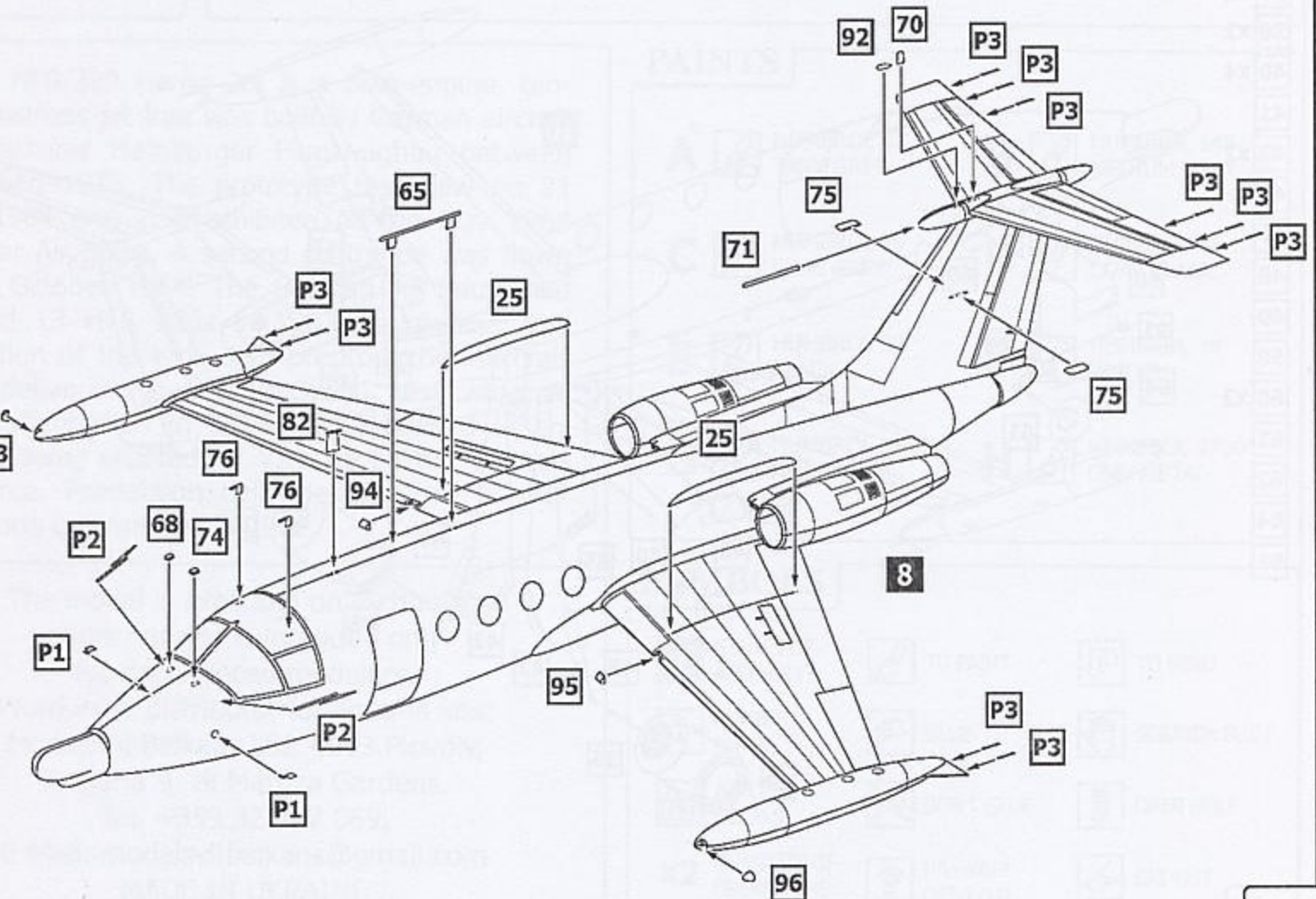
ASSEMBLY INSTRUCTION



- 8
- 4
- 6
- 7
- 3
- 4
- 5



- 9
- 8
- 25 x2
- 65
- 68
- 70
- 71
- 74
- 75 x2
- 76 x2
- 82
- 93
- 92
- 93
- 94
- 95
- 96
- P1 x2
- P2 x2
- P3 x10



ASSEMBLY INSTRUCTION



PARTS NOT FOR USE

10

9

30 x2

35 x2

69

73

77

79

81

83

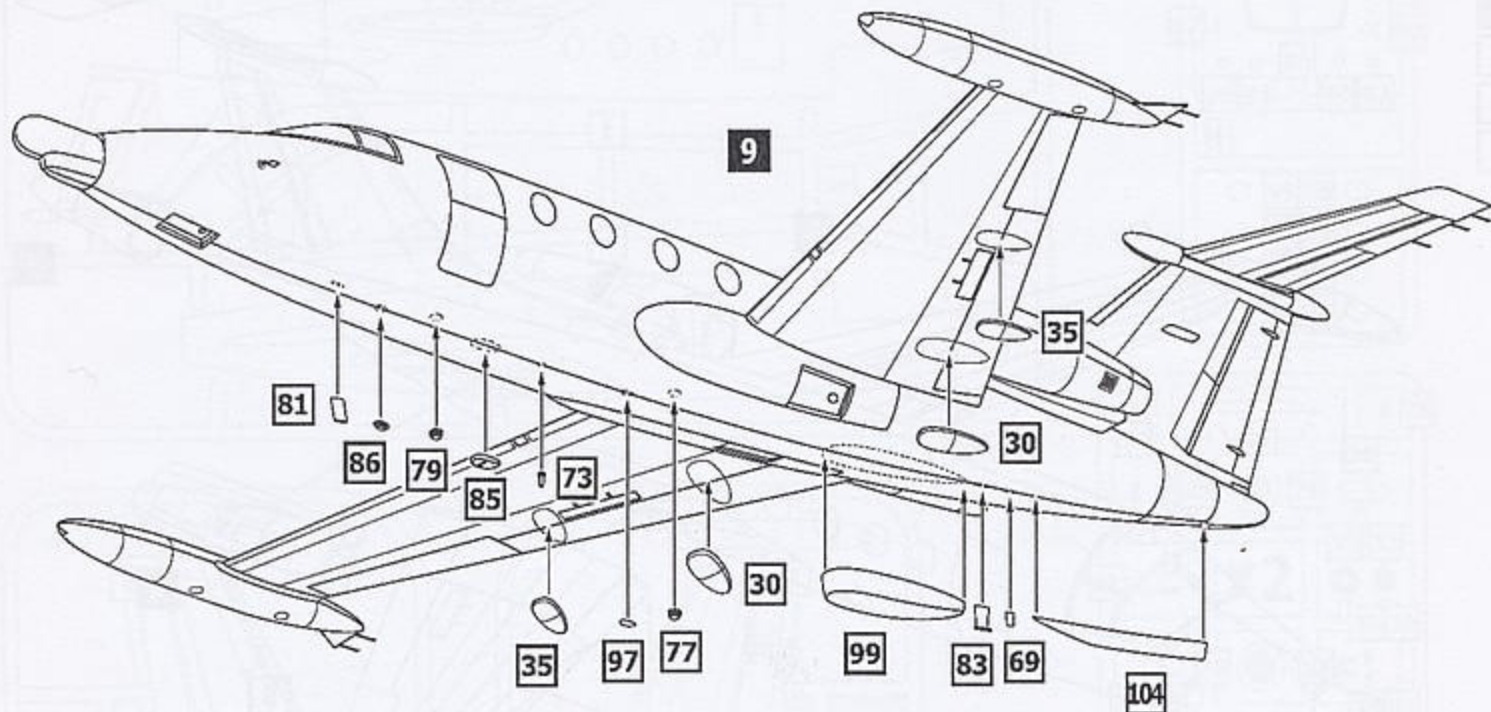
85

86

97

99

104



11

10

29 x2

36 x2

40 x4

41

42 x2

45

47

48

49

50

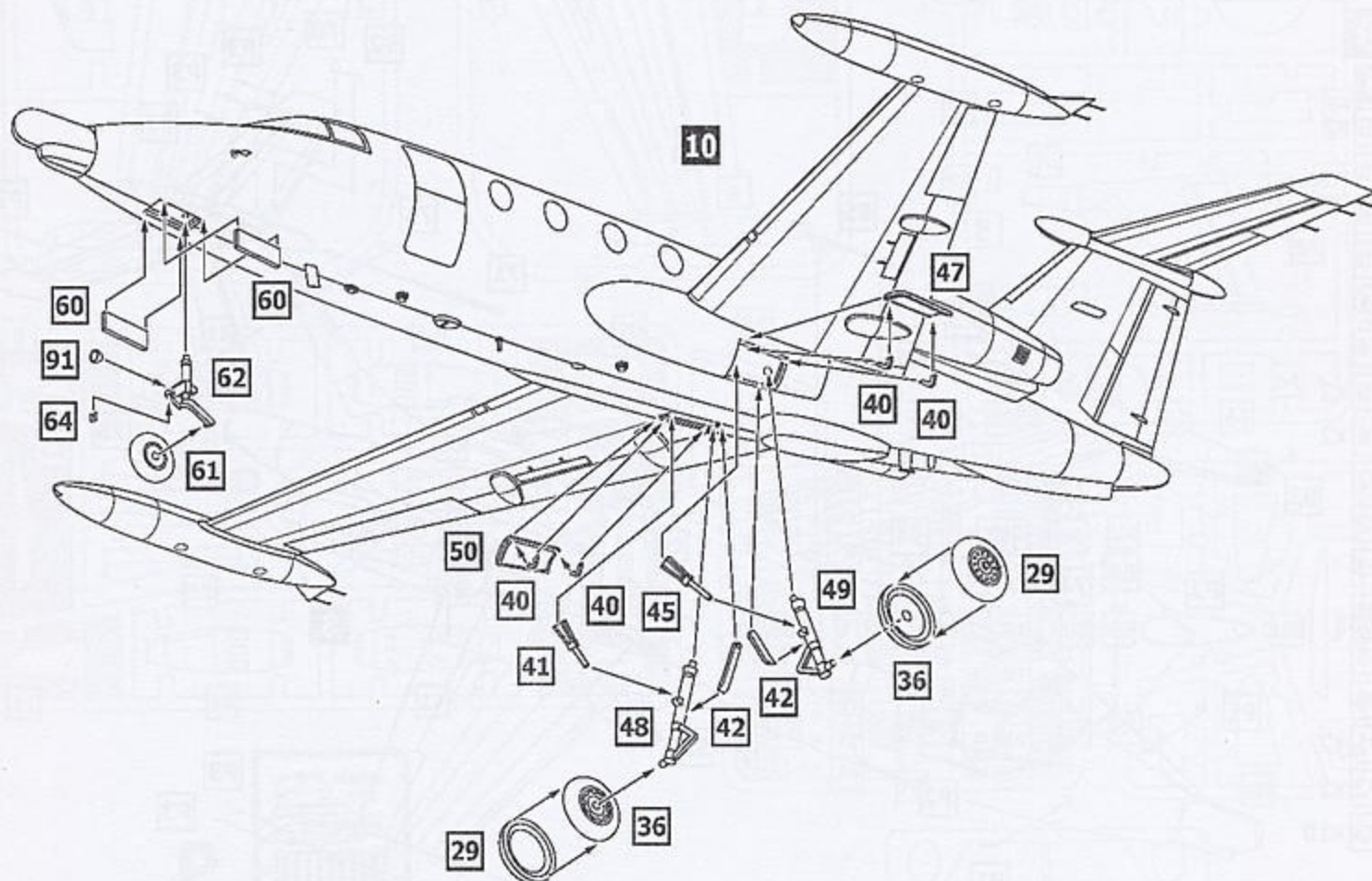
60 x2

61

62

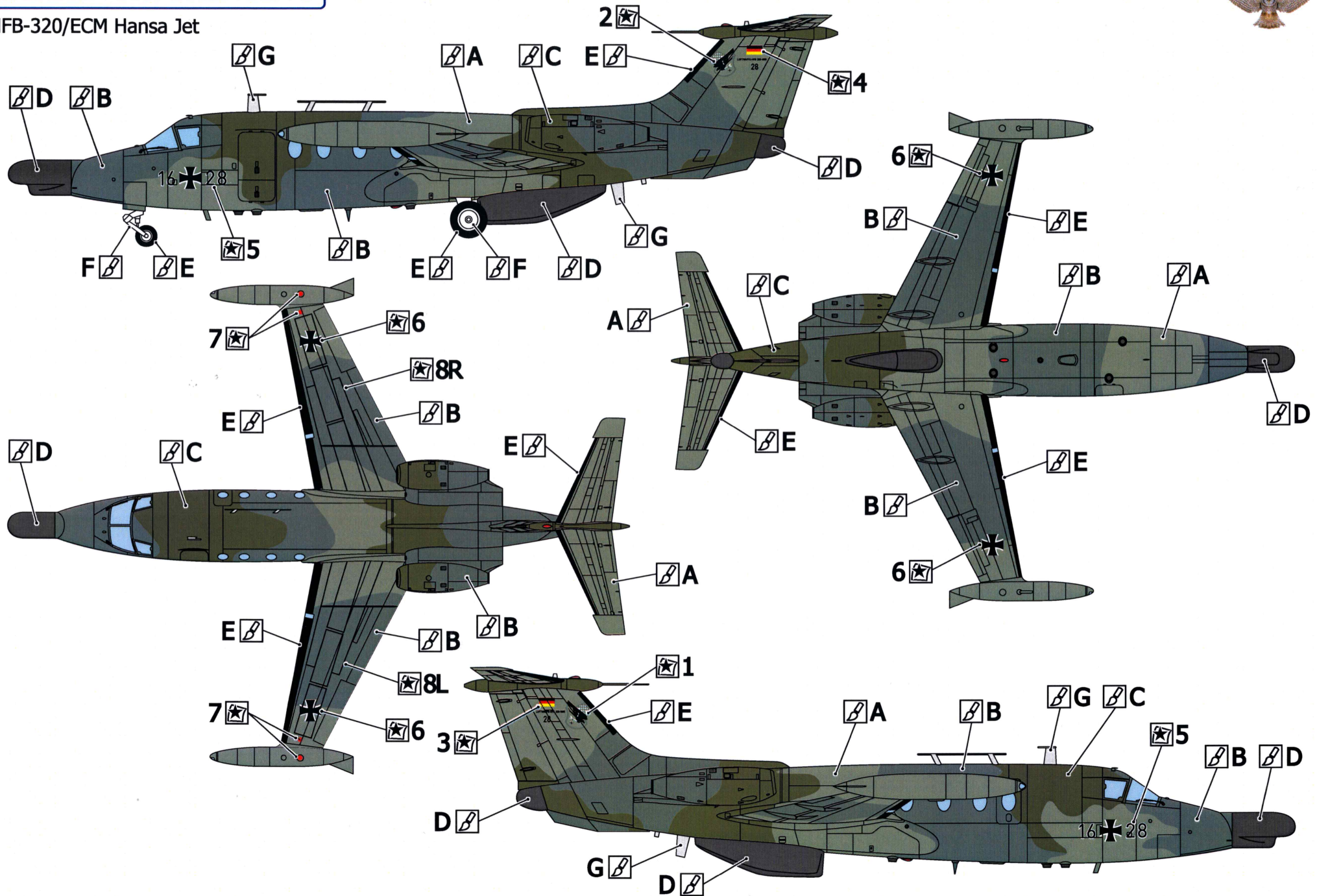
64

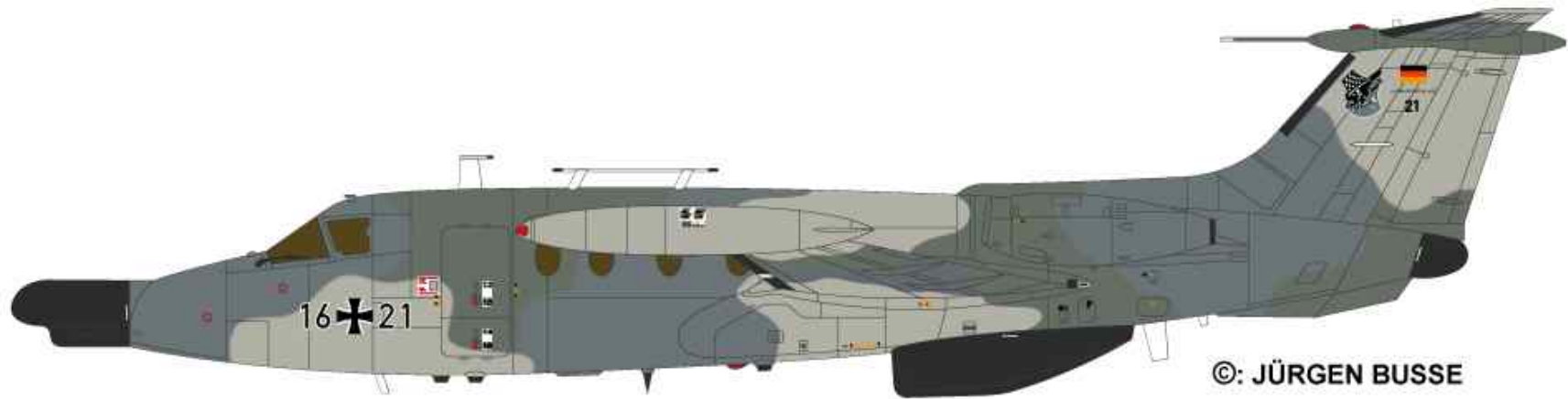
91



MARKING & PAINTING

HFB-320/ECM Hansa Jet

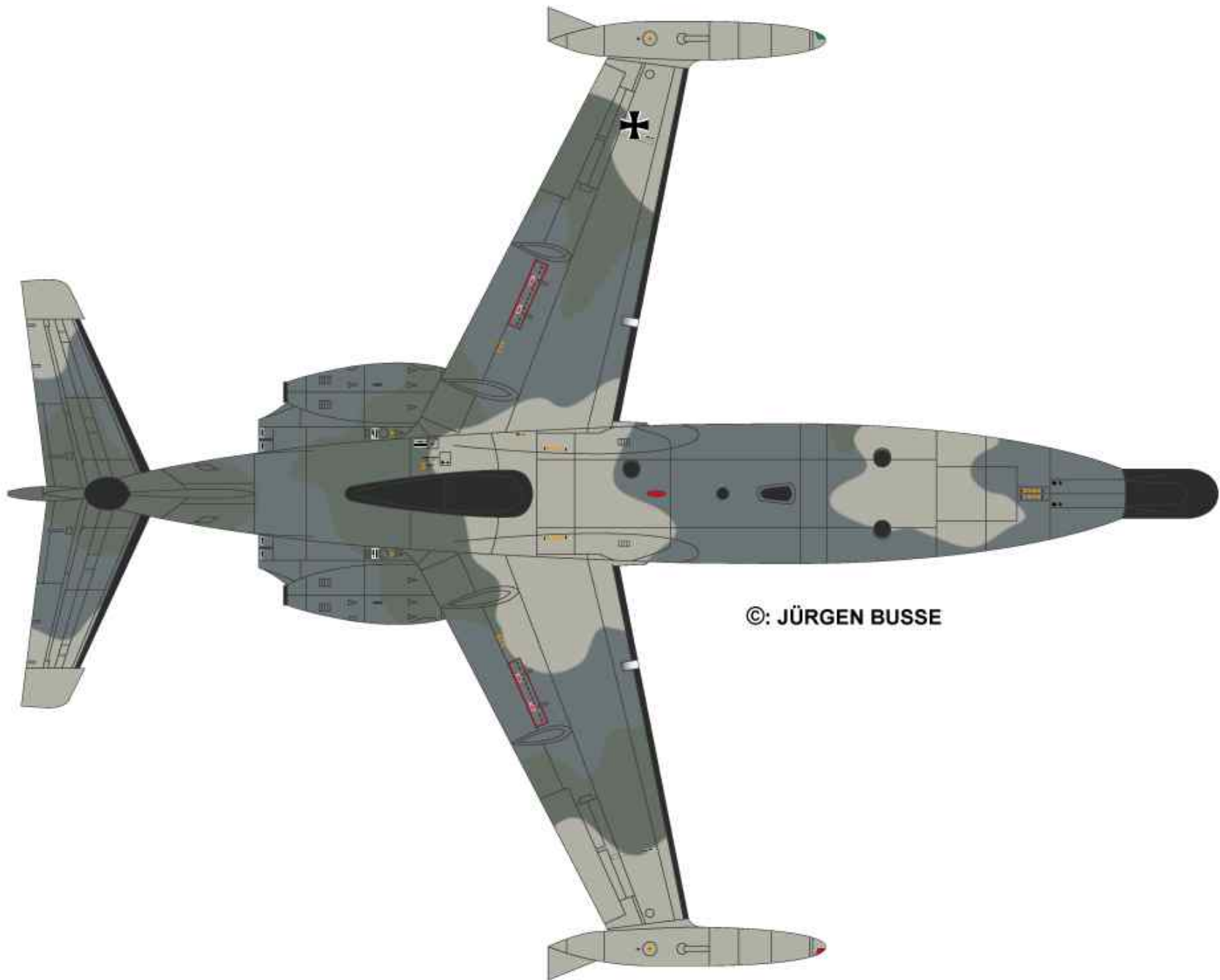




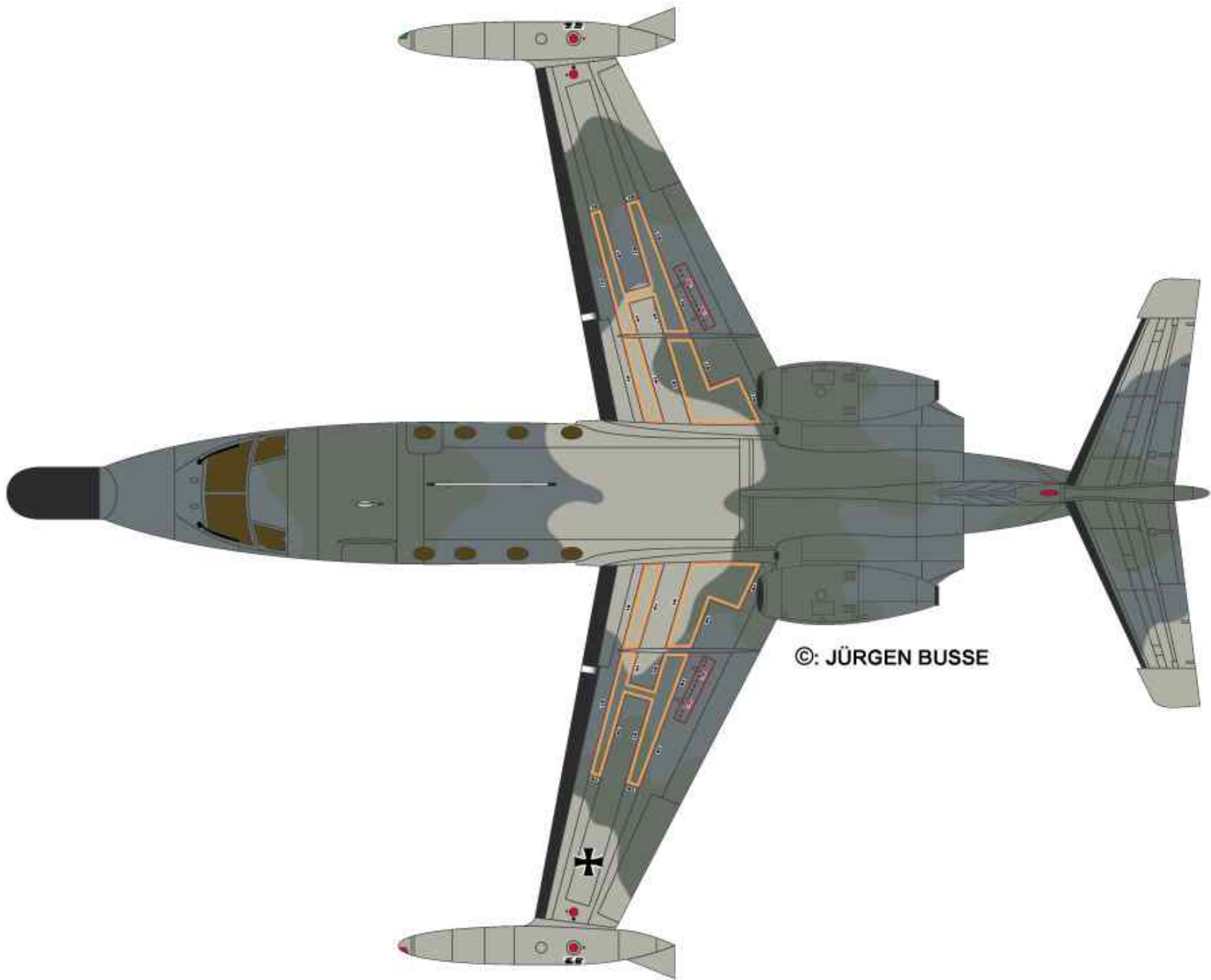
©: JÜRGEN BUSSE



©: JÜRGEN BUSSE



©: JÜRGEN BUSSE



©: JÜRGEN BUSSE

16 ✠ 28 5 16 ✠ 28



1

2



SVM-72014

HFB-320/ECM Hansa

28



3

28



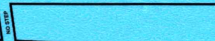
4

LUFTWAFFE-HFB 320-885

LUFTWAFFE-HFB 320-885

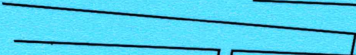


7

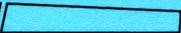


NO STEP

8



NO STEP



R



9



PRINTED IN UKRAINE