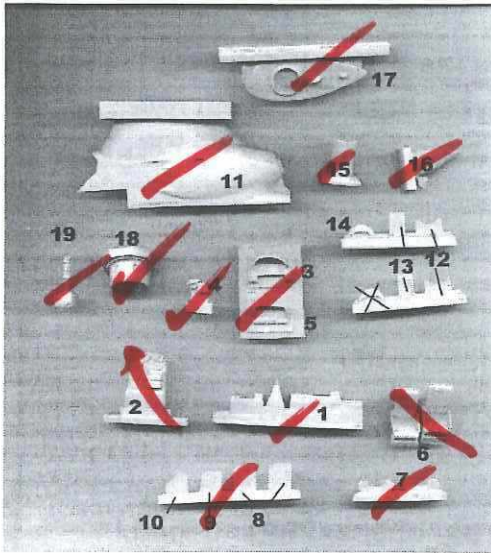


AH-1G Cobra Backdate

for Fujimi AH-1J

Parts Listing



1. Cockpit tub
2. Rear bulkhead
3. Pilot instrument panel
4. Pilot gunsight
5. Gunner instrument panel
6. Seats
7. Seat armor panels
8. Pilot side armor
9. Gunner right side armor
10. Gunner left side armor
11. Engine/ Transmission housing
12. Main rotor assembly supports
13. Engine vent covers
14. Air foil
15. Engine exhaust
16. Exhaust diverter
17. Pylon cap
18. Turret
19. Minigun barrels

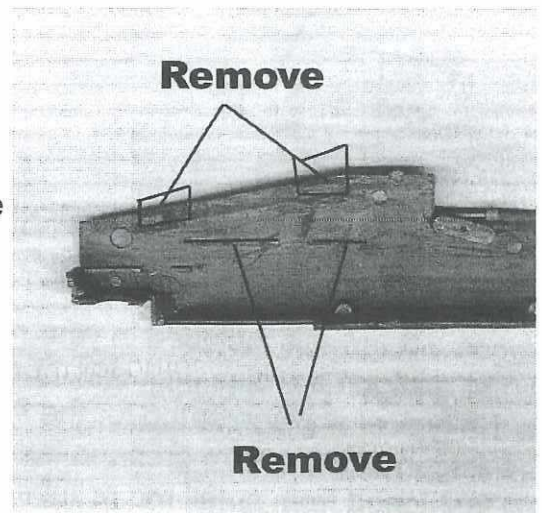
Prior to using, clean all parts with a mild degreaser detergent such as Formula 409, Simple Green or denatured alcohol to remove mold release agent. Remove parts from casting blocks with a razor saw or very sharp hobby knife. Prime all resin parts prior to painting. Cobra Company strives to provide a quality product however the nature of resin casting may occasionally leave small pinholes in the resin parts. These are easy to fix with modeling filler or superglue. Any defective parts will be replaced as needed.

Assembly instructions.

Some modifications to the inside nose area must be made to the plastic kit. Remove the armor panels from both sides of the fuselage and two ridges on each side of the interior. The illustration at right shows the locations to be removed.

Replace the armor panels with the resin parts #8 on each side of the pilot position. Replace the gunner armor panels with #9 on the right side and #10 on the left.

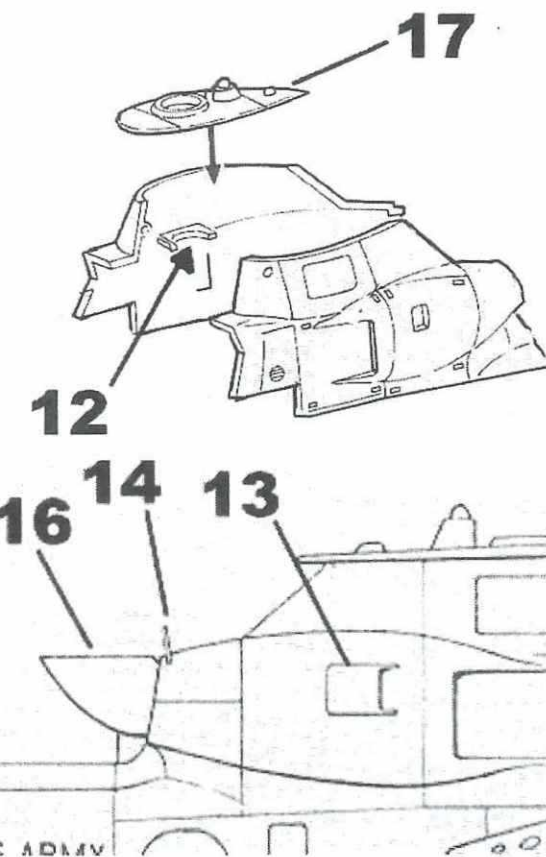
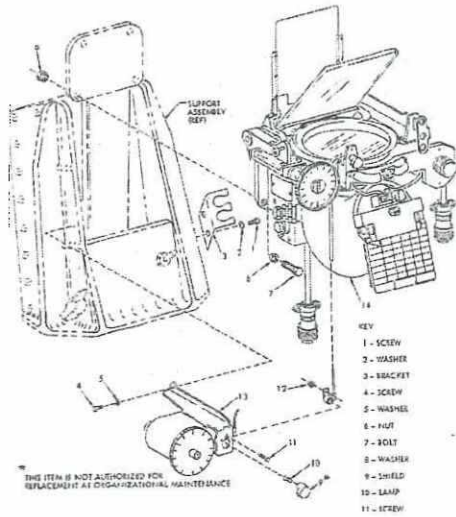
The resin cockpit tub will require only minor sanding to the bottom. The remaining ridges in the interior will let the tub sit properly in the fuselage. Fit the rear bulkhead #2 onto the platform of the tub rear and adjust for proper depth into the rear area. Resin seats and armor panels, instrument panels and cockpit controls from kit assemble per kit instructions.



Gunsight detail

At left is an illustration of the M-73 reflex gunsight used by the pilot for firing the rockets at fixed targets. Additional details to the resin gunsight may be made from this drawing. The reflex glass and filter may be made from clear or tinted plastic sheet.

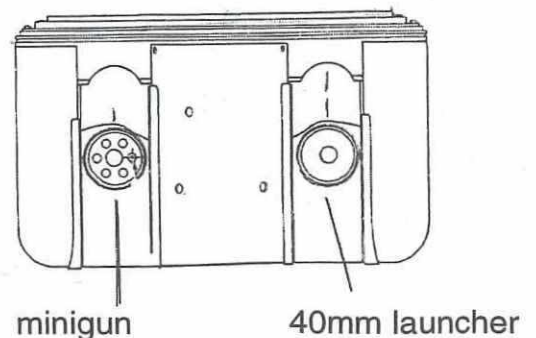
The gunsight is mounted on top of the glareshield of the pilot instrument panel, centered inline with the nose of the aircraft. The support assembly should be mounted far forward on the glareshield, nearly at the edge.



Remove the pour block from the top of the new engine and transmission cowling. A thin layer of resin is inserted between the major section of the block and the top of assembly. Gently sand this layer away to expose the opening and the pin holes for aligning the pylon cap. The main rotor assembly supports must be glued inside the transmission area where indicated by the arrows. An arrow pointing to the proper position is inscribed inside the resin piece. Place the exhaust pipe #15 inside the rear of the engine cowl.

Once the entire assembly is mounted on the fuselage the remaining anti-rocket devices may be mounted. Two covers #13 should be placed over the engine vents on the cowl. The air foil #15 should be placed on the aft edge of the exhaust outlet and the diverter #16 attached to rear outlet lip.

A replacement turret is included in your resin kit. Barrels for the M-134 minigun are also included. The illustration at right shows the typical weapon setup for the AH-1G when equipped with a minigun and a 40mm grenade launcher. A launcher tube may be fashioned from small rod or tube.



Fireball Modelworks has excellent Vietnam era decals for your Cobra.



PO Box 3966, Crofton, MD 21114

Phone/Fax (301) 261-3216