



F-14 TOMCAT

1/144 AUTHENTIC SCALE MODEL KIT
F-14 雄猫

- 組裝說明 READ THIS BEFORE YOU BEGIN
- 組裝前請仔細閱讀說明書。

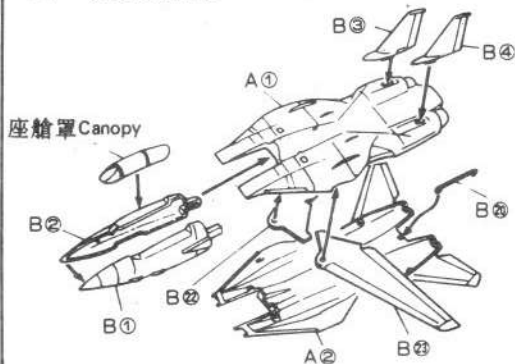
• 根據組裝圖用刀將各部份取下。

- Read this instruction sheet carefully before you start to assemble your model.
- Cut the parts off carefully in accordance with the assembling order by use of a nipper or a knife.
- No cement contained in this kit.

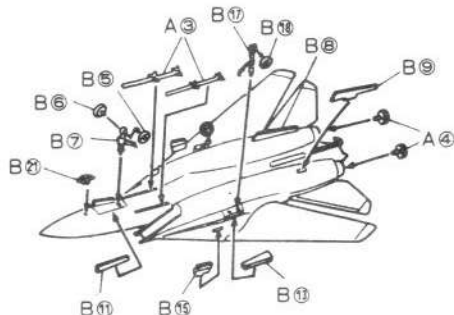


NO. 02201

1 機身的組裝 Fuselage assembly



2 機身下部組裝 Under fuselage assembly



■ 塗色說明 MARKING & PAINTING

• 塗色時請保持空氣流通

• 注意塗料要遠離火種

- When you paint model, open windows to let fresh air in.
- Never use fire near paint.
- Numbers in H' accord with those of GUNZE SANGYO AQUEOUS HOBBY COLOR

貼紙的用法

1. 剪下所需貼紙, 放入溫水約 30 秒.
2. 拿住底紙, 將貼紙滑上模型, 移至適當位置後, 用軟布吸幹.

■ How to apply decals.

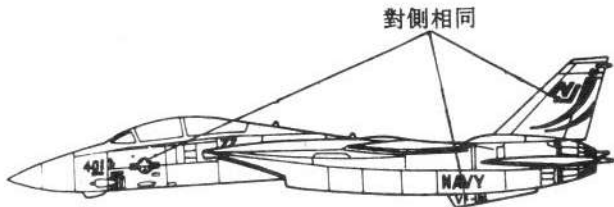
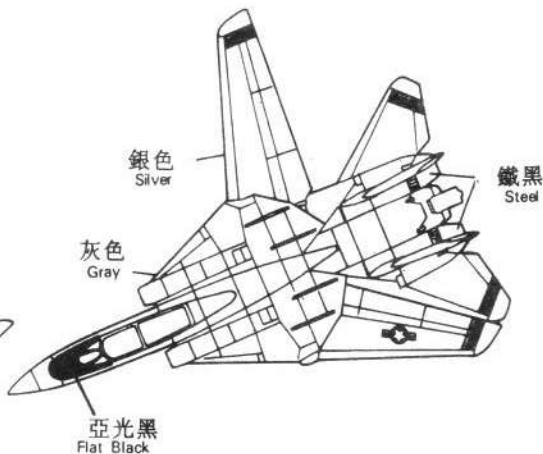
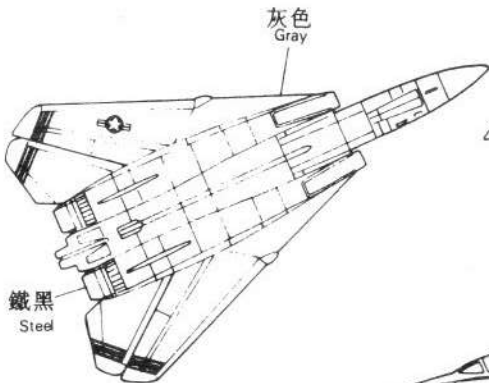
- 1 Cut them off and soak in water for about 30seconds
- 2 place it together with the base paper at a desired position and slip away the base paper leaving the transfer paper alone, and remove water with dry cloth.

■ 起落架塗色

- 輪胎: 黑色
- 輪芯: 銀色
- 起落架、艙門、支柱: 白色

■ Landing gear painting

- Tire: Black
- Wheel: Silver
- Gear bay, Gear cover side, Gear strut: White



401



01

01



401



401



77 77

NAVY NAVY

VF -124

VF -124



158620

158620

NO.02201 1/144 F-14 熊猫

