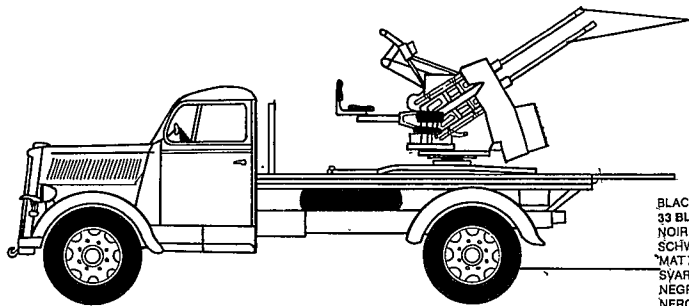
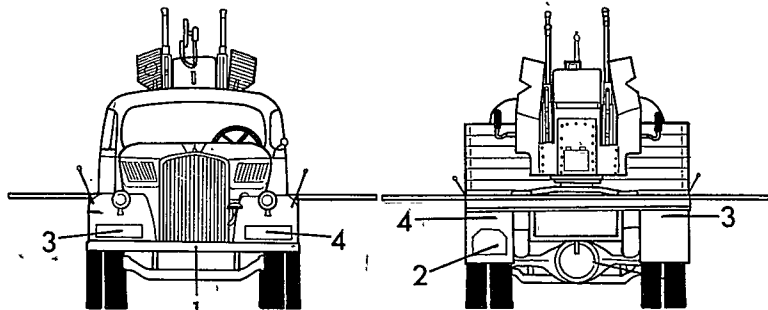
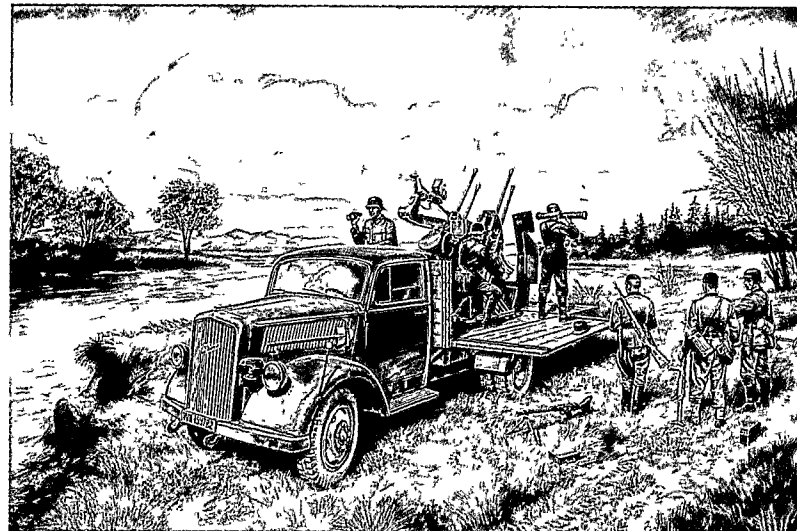


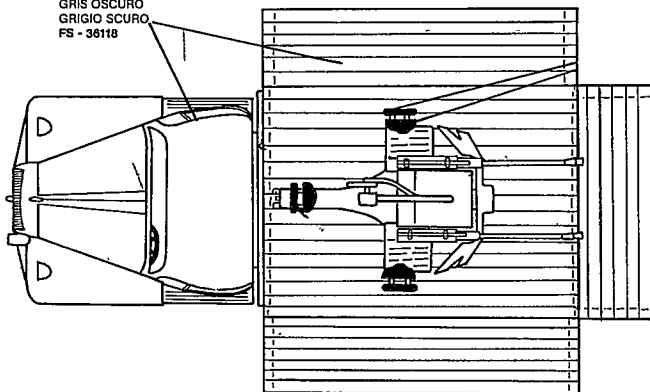
OPEL FLAK 38



BLACK
33 BLACK
NOIR
SCHWARZ
MAT ZWART
SVART
NERO
NERO
FS - 37038



DARK GREY
USNI DARK GREY
GRIS FONCE
DUNKEL GRAU
DONKERGRIJS
MÖRKGRÅ
GRIS OSCURO
GRIGIO SCURO
FS - 36118



GENERAL SPECIFICATION

LENGHT: MT. 6.10
WIDTH: MT. 2.27
HEIGHT: MT. 2.25
WHEEL BASE: MT. 3.60
WEIGHT: 3.8 TONS

ENGINE
OPEL 3.6 L

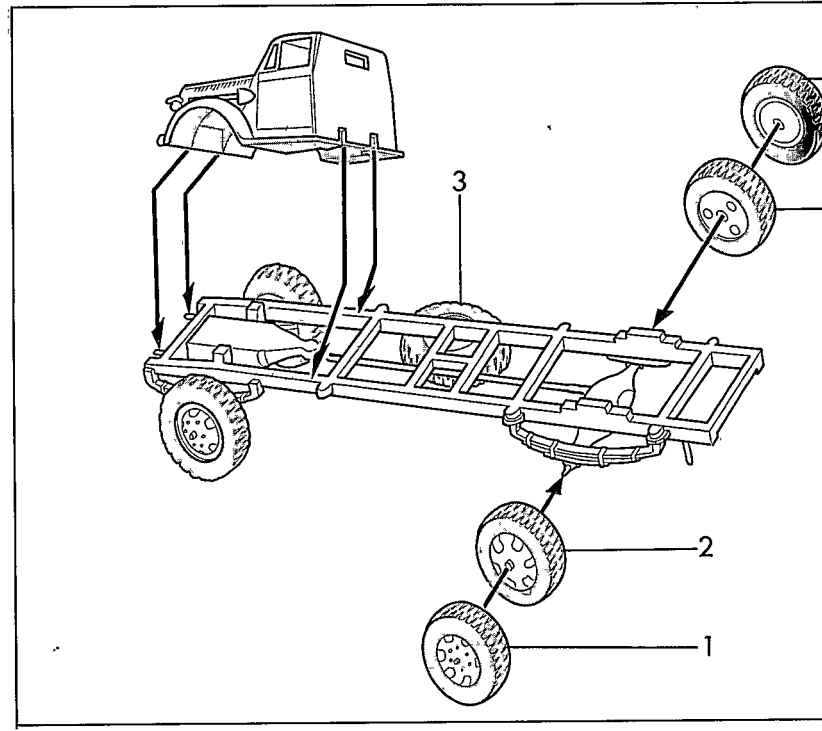
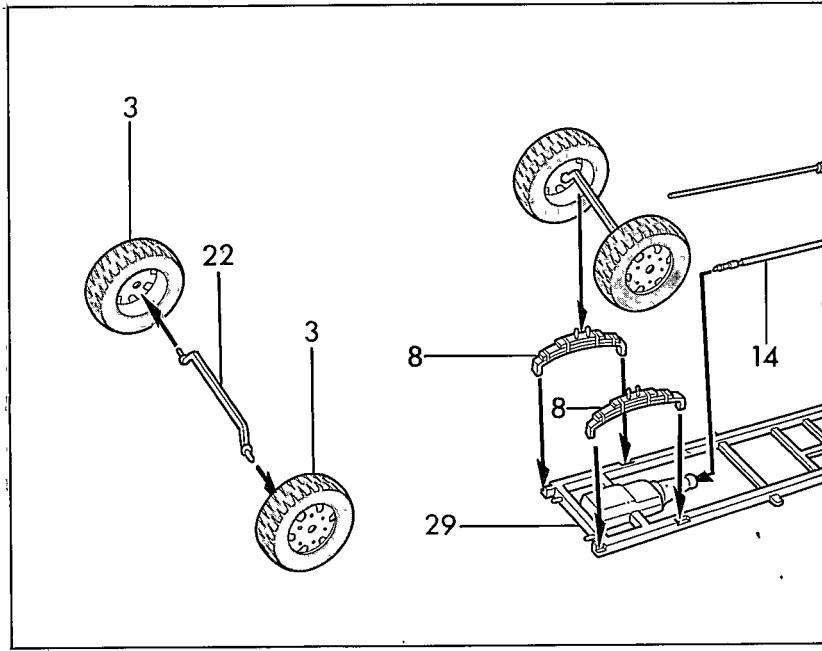
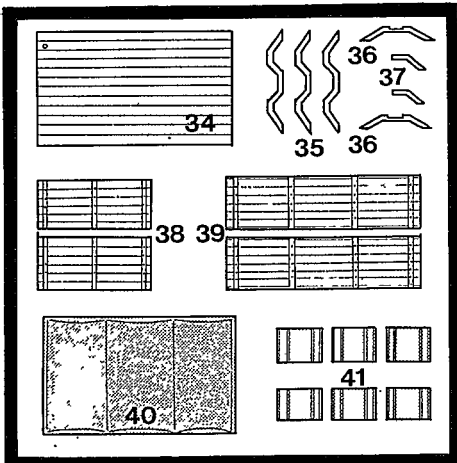
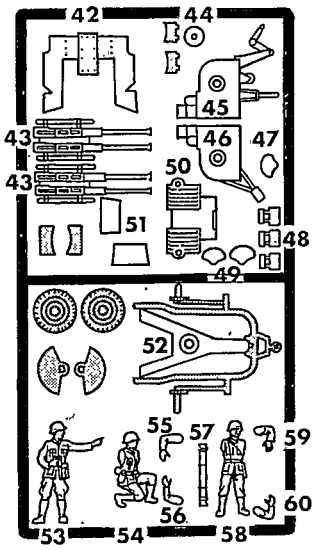
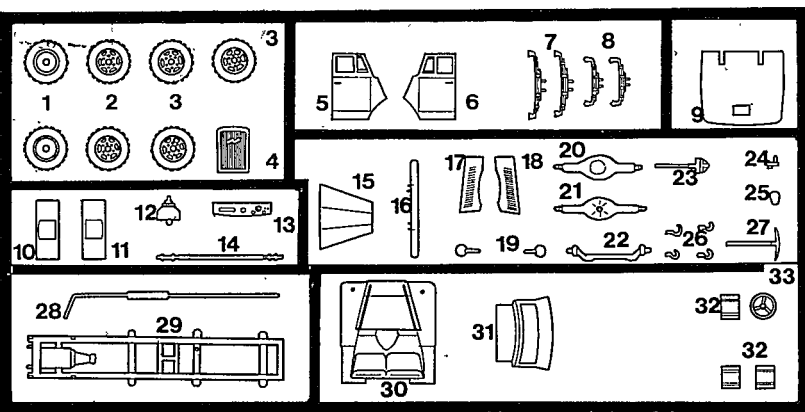
ARMAMENT
1 FLAK 38 A/A GUN (4x20 MM)

1/72 SCALE

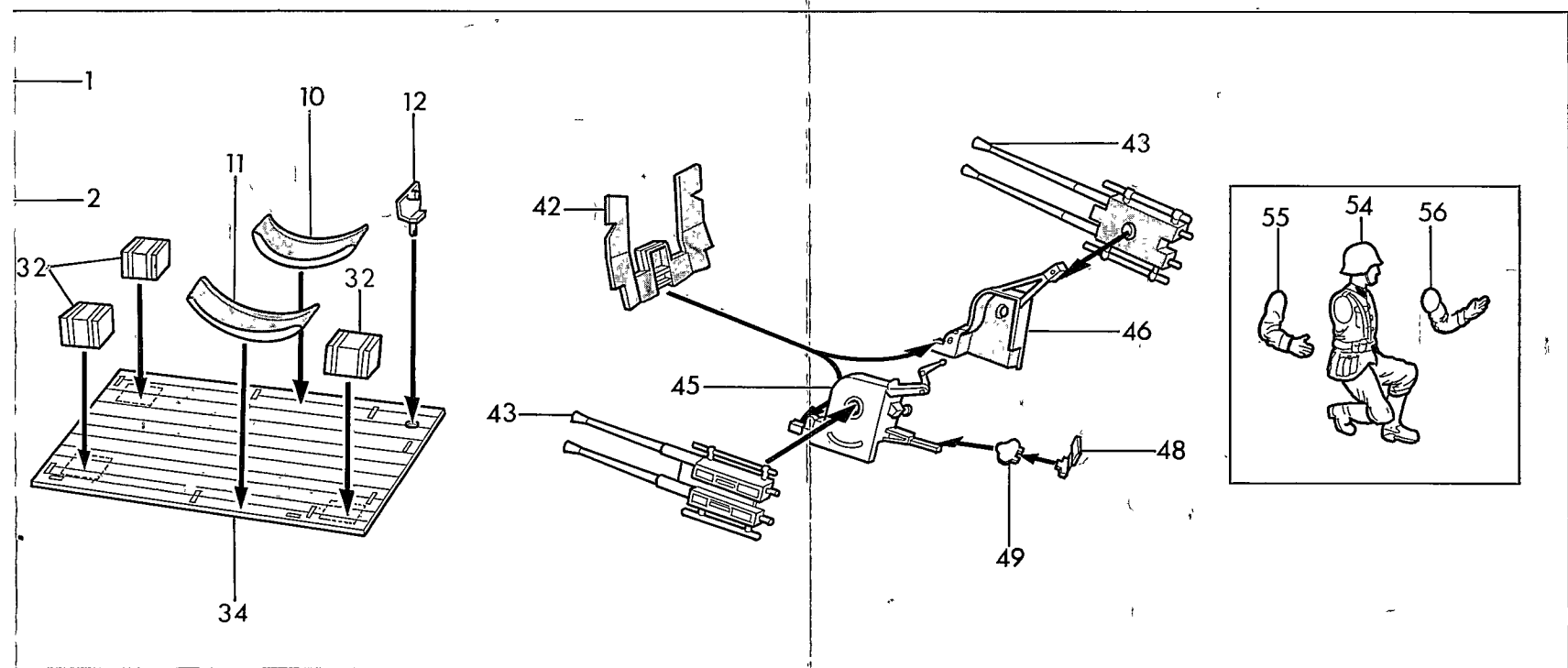
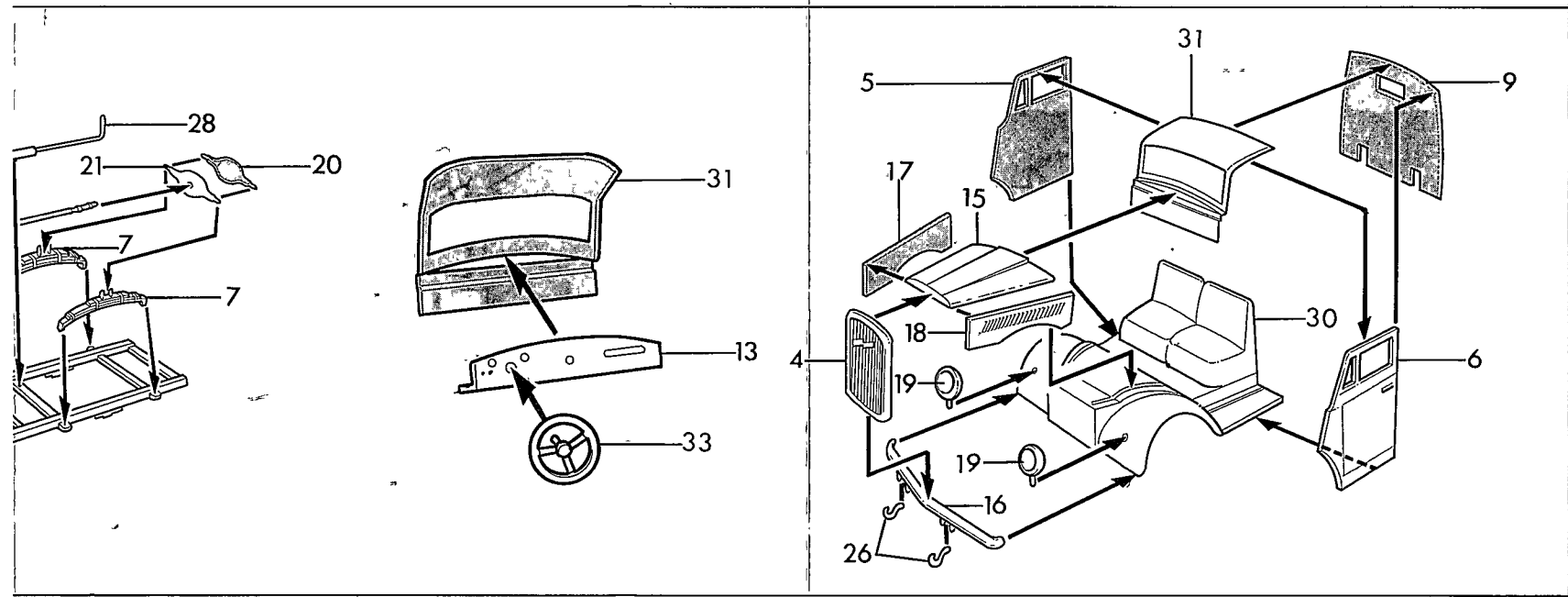
KIT 8052

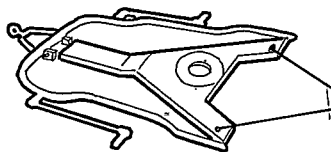
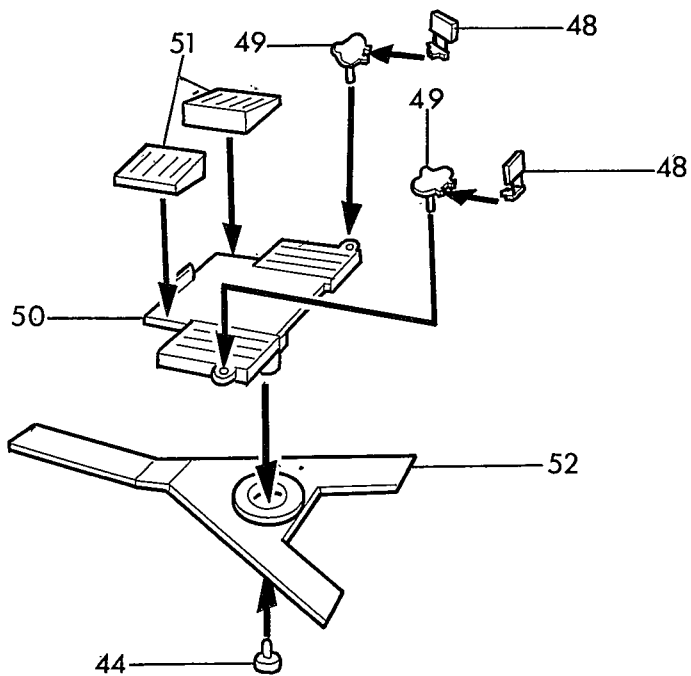


PERFORMANCE
MAXIMUM SPEED: 85 KM/H
RANGE: 250 KMS



WARNING
 Before starting to assemble the model, carefully examine the various assembly phases indicated in the drawings. Carefully remove the parts from the sprues using a razor blade or emery paper. Eliminate any burrs, check the fit of each piece before cementing in place. Before assembly, paint any internal parts of the model or parts which are difficult to get at once assembly has been made. Always follow the assembly order indicated on the tables and, in the case of alternative parts which make it possible to obtain different versions, always choose the version you prefer before assembly. **STEPS TO FOLLOW IN ATTACHING THE DECALS PROPERLY:** Cut out the subject you have chosen, being very careful to clip along its outlines so as not to leave any ragged edges. Soak it for a few seconds in warm water. Carefully separate it from its backing. Place the decal on the model. Remove all drops of water with a dry cloth. Any air bubbles which may have formed can be removed by gently squeezing them out to the edges of the decal.





- DRILL TO PIERCE.
- PERCER AVEC UNE POINTE ADEQUATE.
- VORSICHTIG DURCHBOHREN.
- MAAK EEN GAATJE.
- STICKA HÅL MED LÄMPLING UDD.
- PERFORAR CON LA PUNTA ADECUADA.
- FORARE CON PUNTA ADEGUATA.

