

# GERMAN HEAVY BOMBER TYPE G.V

1/48

PK 48001

**WARNING!**

THIS PRODUCT IS NOT FOR USE BY CHILDREN UNDER 15 YEARS. CONTAINS DETAILED INSTRUCTION. NOT PAINTED PHOTO ETCHED PARTS, DECALS, CEMENT AND PAINTS ARE NOT INCLUDED. THE PARTS ARE VERY SMALL WITH SHARP EDGES DURING WORK PROTECT YOUR EYES AND BE AWARE OF BREATHING OR EATING THEM. WORK IN WELL VENTILATED AND LIGHTENED ROOM. THE RESIN MATERIAL IS TEMPERATURE SENSITIVE. HEAT CAN WARP SOME PARTS. WE RECOMMEND PLACING THE AFFECTED PARTS IN HOT WATER FOR 1 TO 3 MINUTES OR UNTIL HAVE REACHED THE SOFTER SHAPE. THEN PLACE THE PART TO COLD WATER TO STABILIZE THE SHAPE. BE VERY CAREFUL NOT TO DAMAGE SMALL PARTS. FOR GLUING USE CYANOACRYLATE ADHESIVE ONLY.



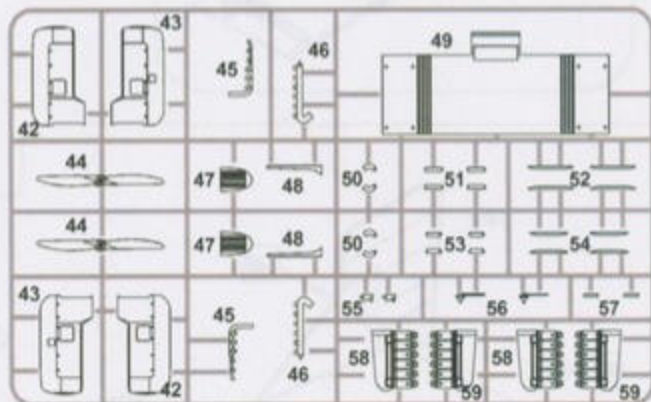
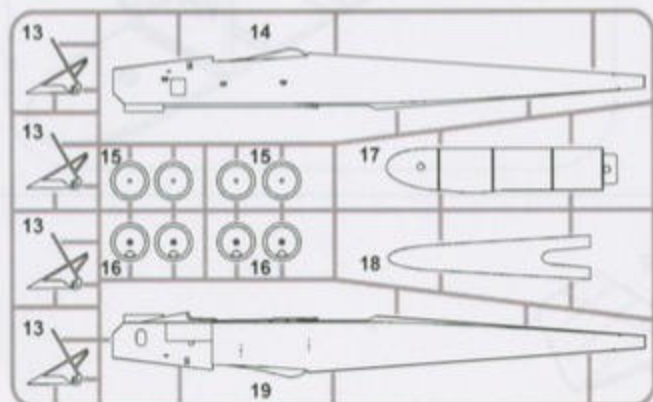
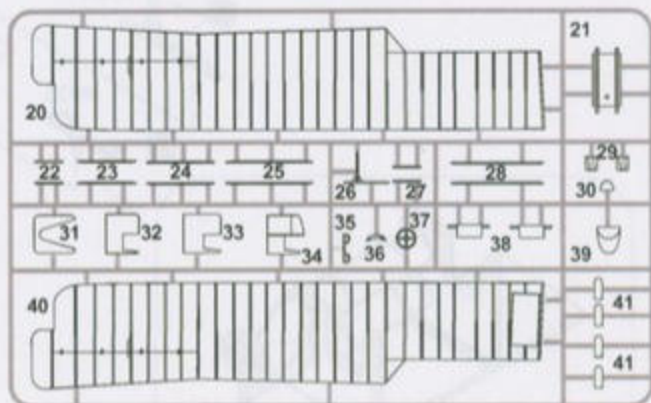
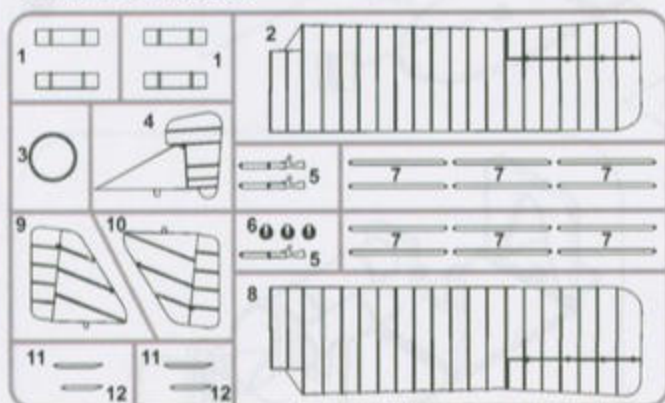
SHORTRUN  
LIMITED EDITION

Produced by:  
HIPPO ZDENEK FLÉG,  
AERIAL ADRES S.R.O., 190ŘANSKÁ CESTA 70A, MOST 1, 434 61, CZECH REPUBLIC

www.hippo.cz/hippodata  
info@hippo.cz

- ★ APPLY DECAL
- ✂ REMOVE
- ⚪ DRILL HOLE
- ? OPTION
- ⊖ SYMMETRICAL ASSEMBLY
- 🔪 GRIND
- ↷ BEND
- Ⓜ REPLACE

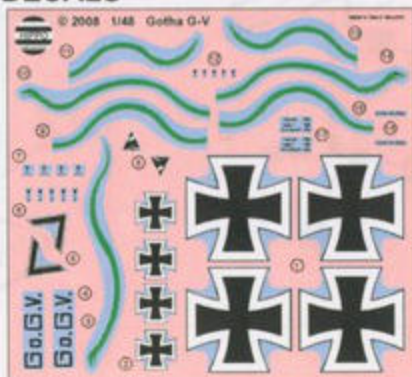
**PLASTIC PARTS**



**CLEAR PART**



**DECALS**



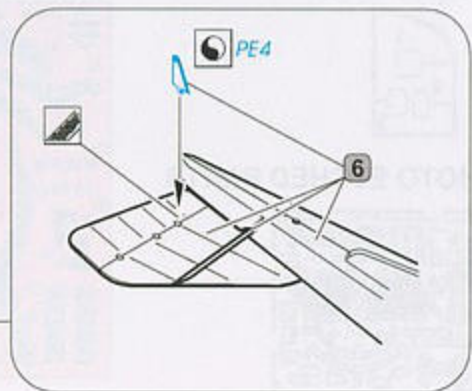
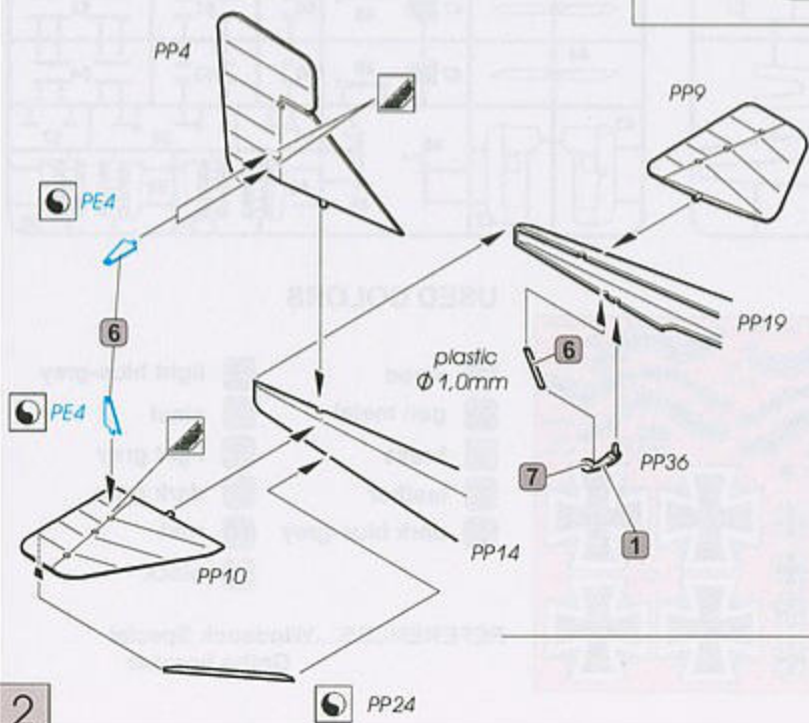
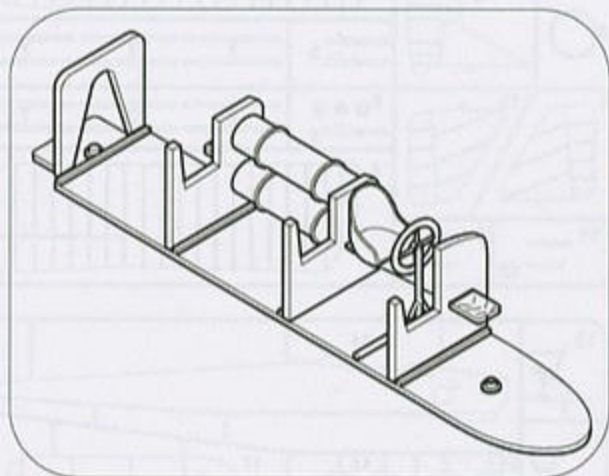
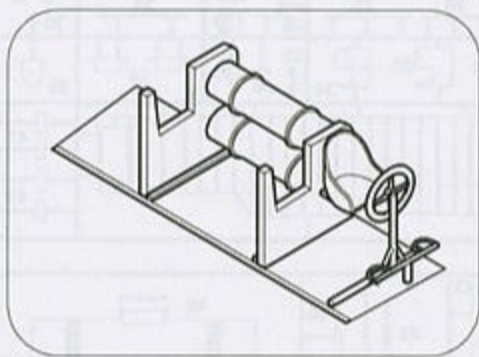
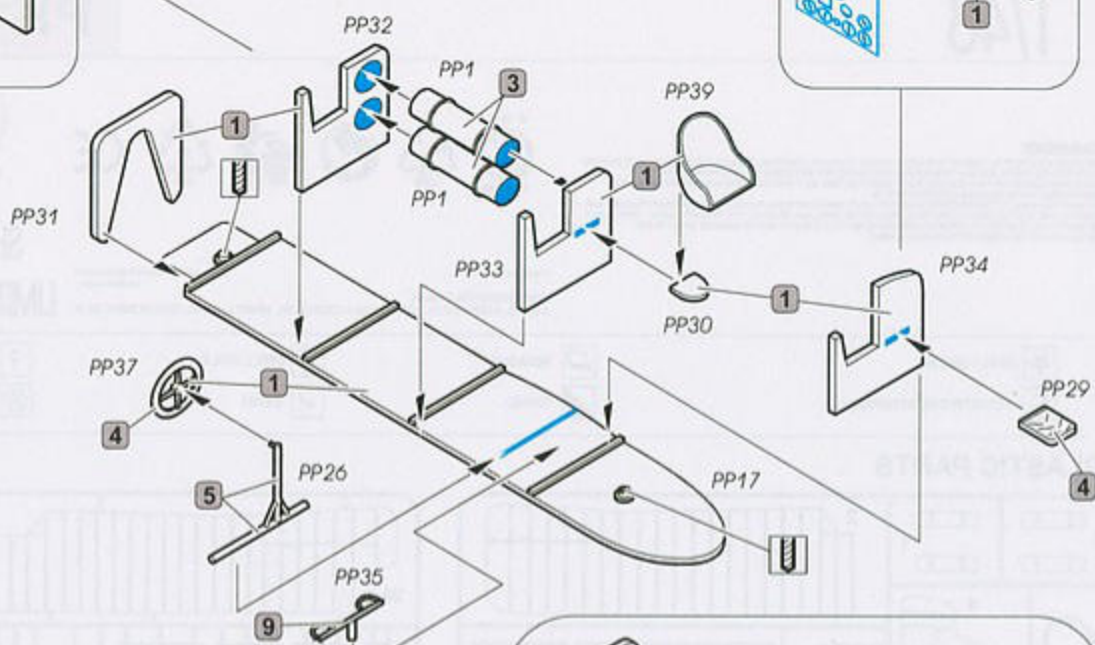
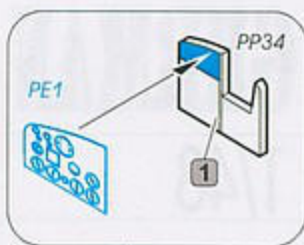
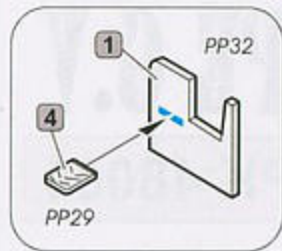
**USED COLORS**

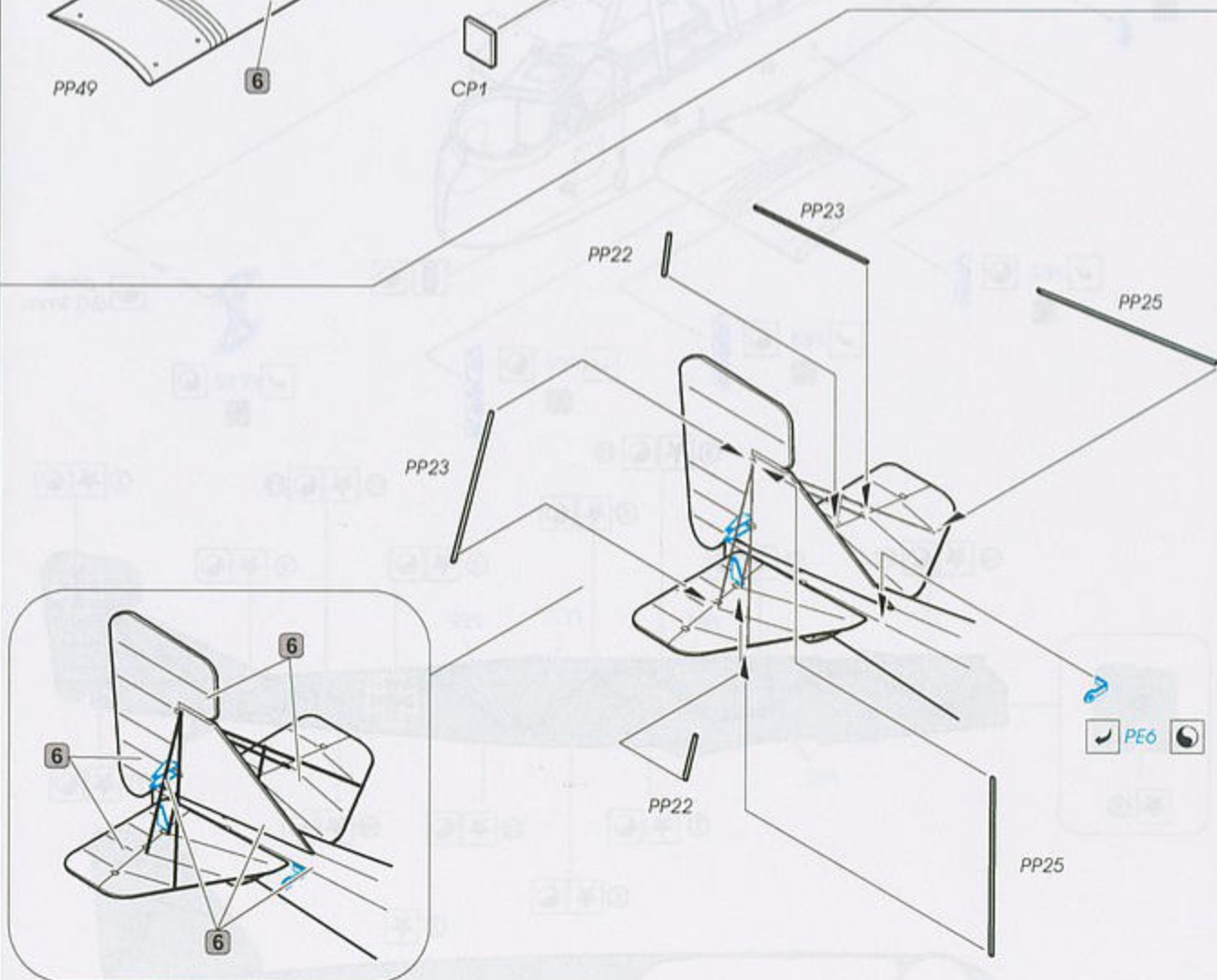
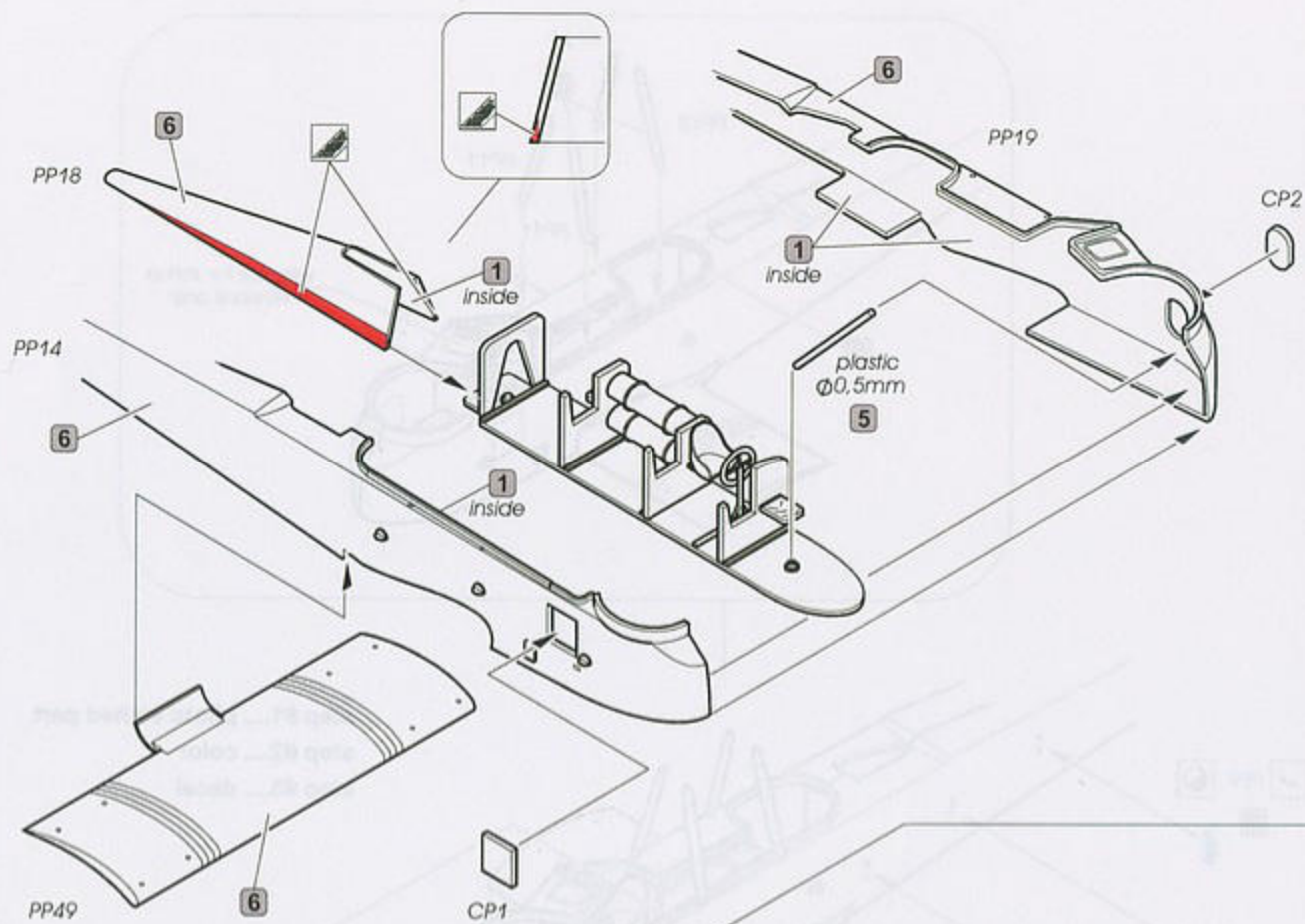
- 1 wood
- 6 light blue-grey
- 2 gun metal
- 7 steel
- 3 brass
- 8 light grey
- 4 leather
- 9 dark grey
- 5 dark blue-grey
- 10 rust
- 11 black

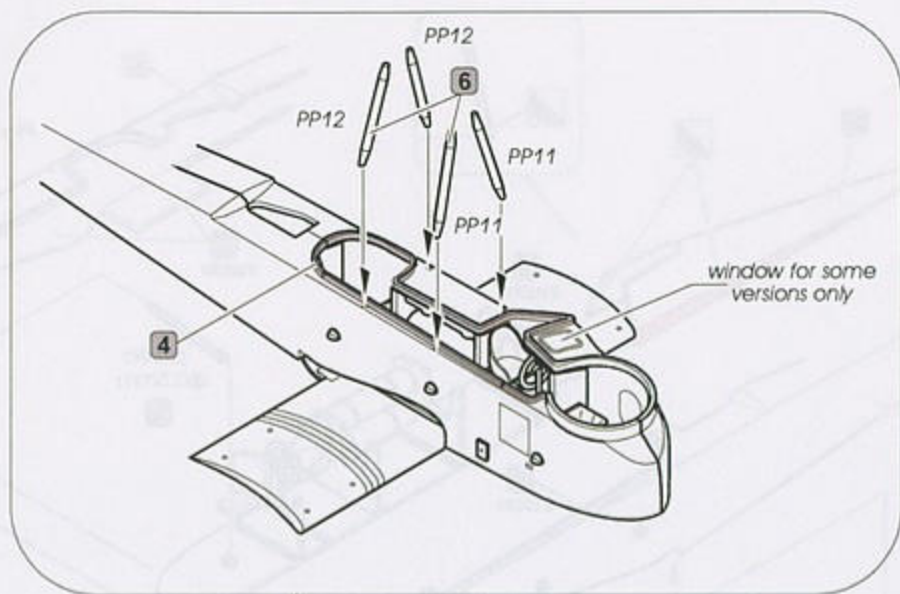
**PHOTO ETCHED PARTS**



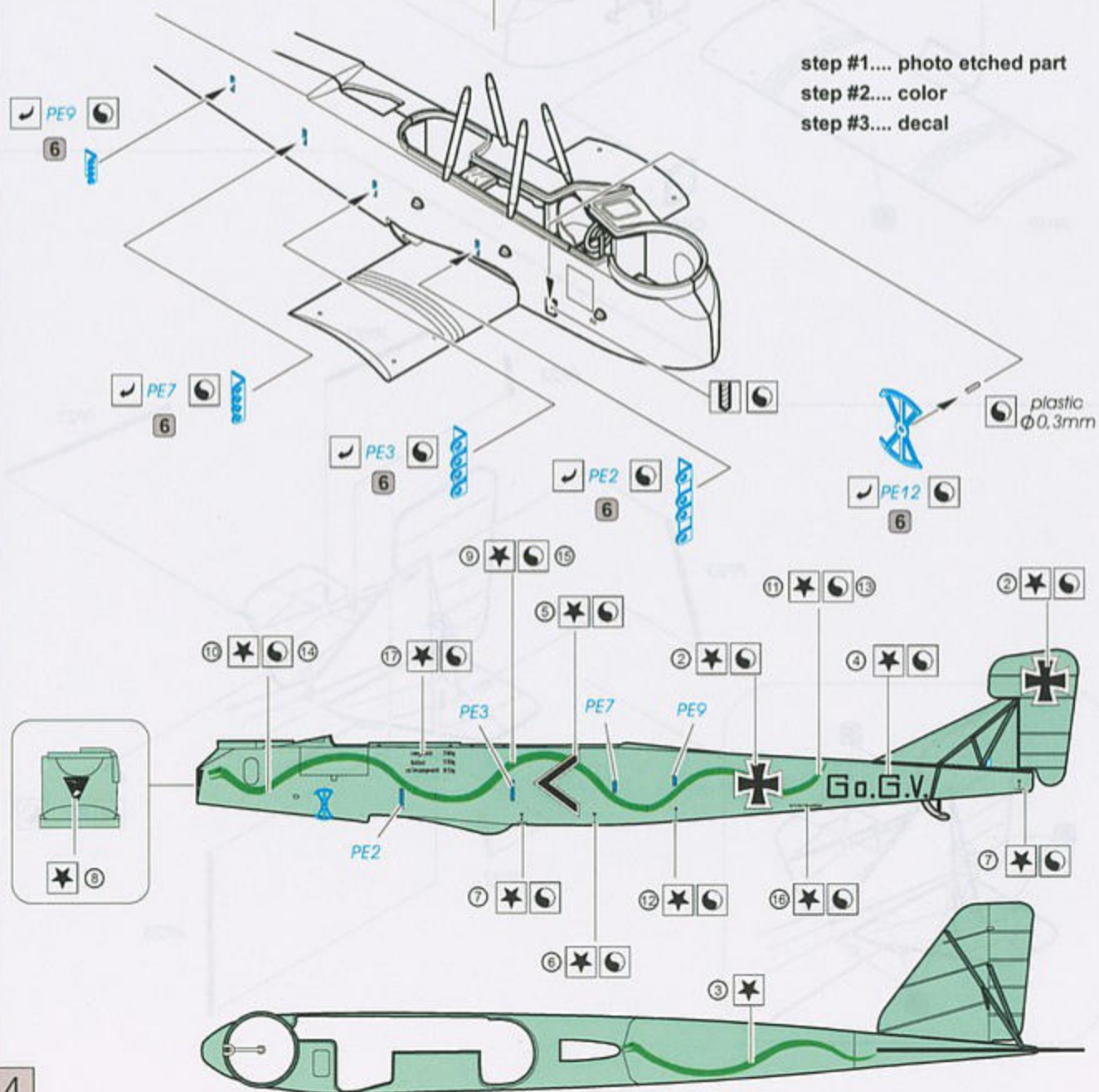
REFERENCES... Windssock Special  
Gotha bomber

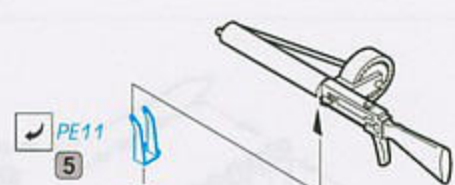




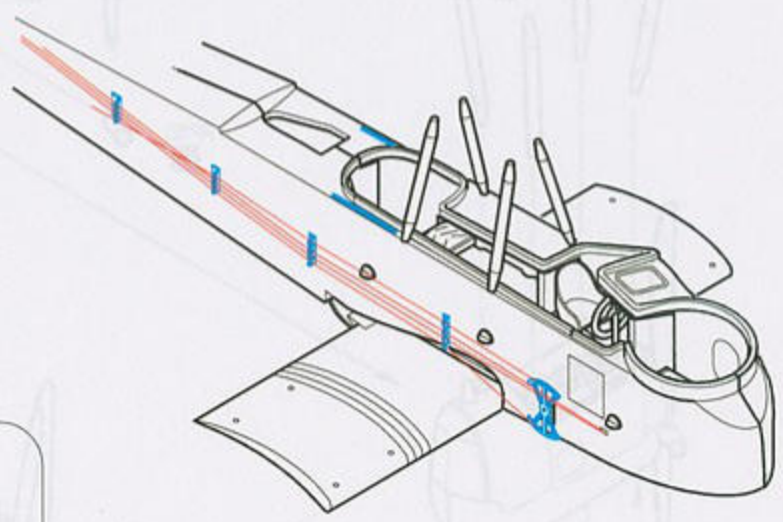
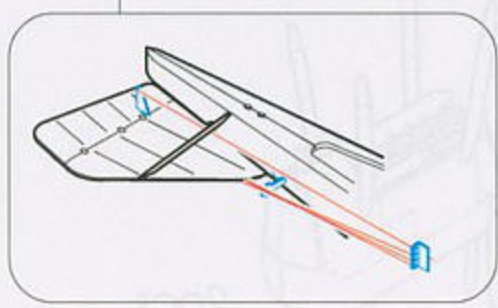
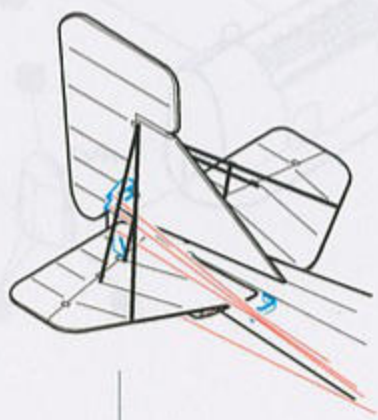
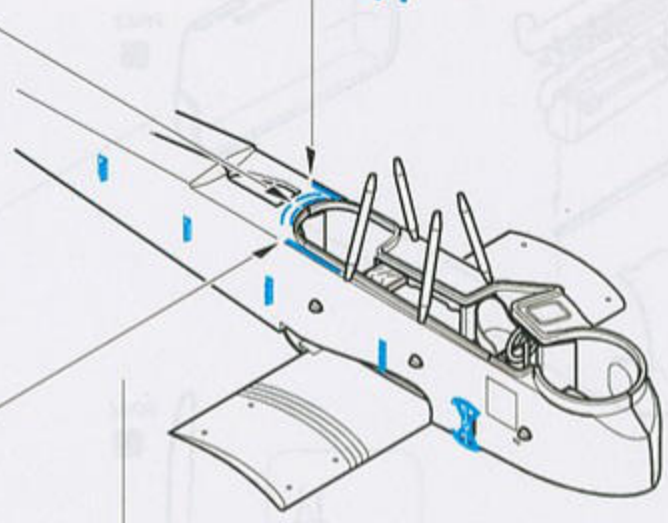
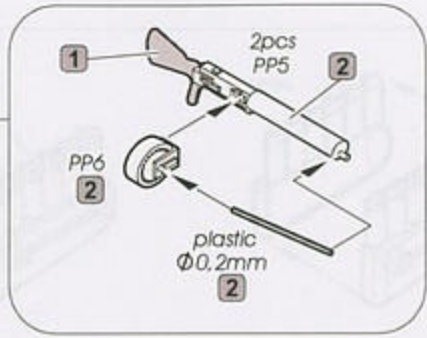


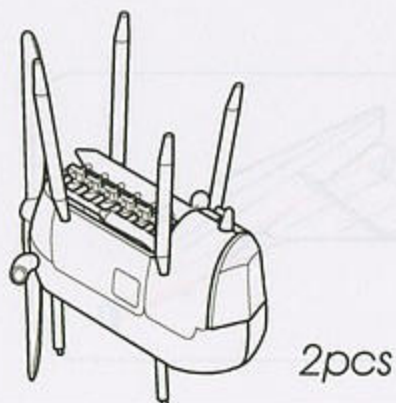
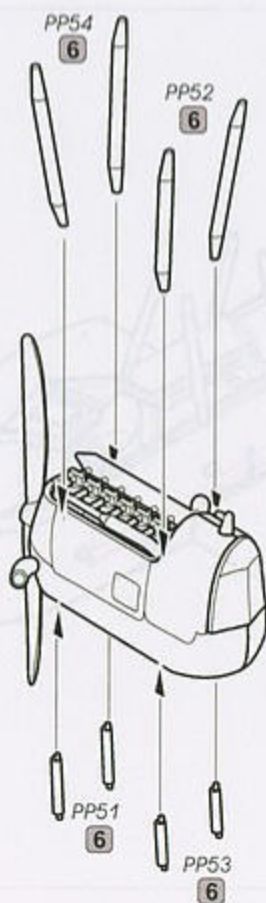
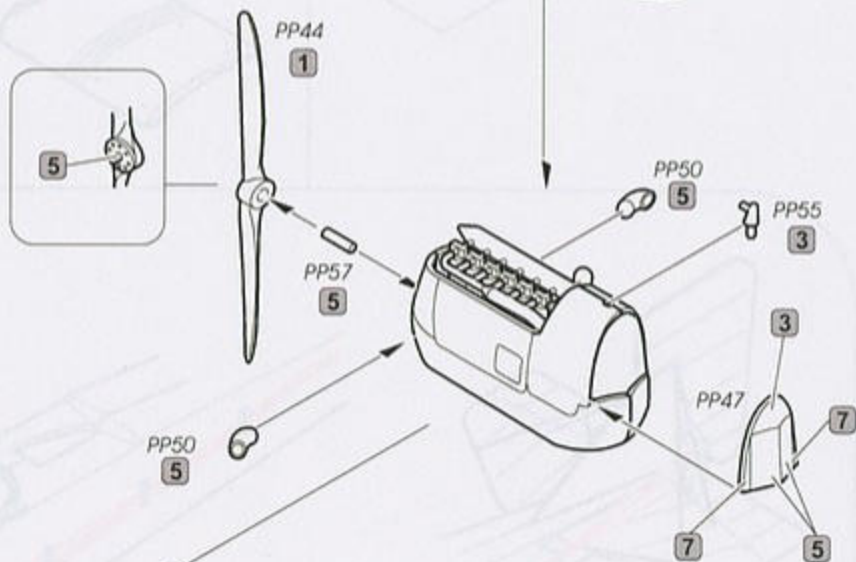
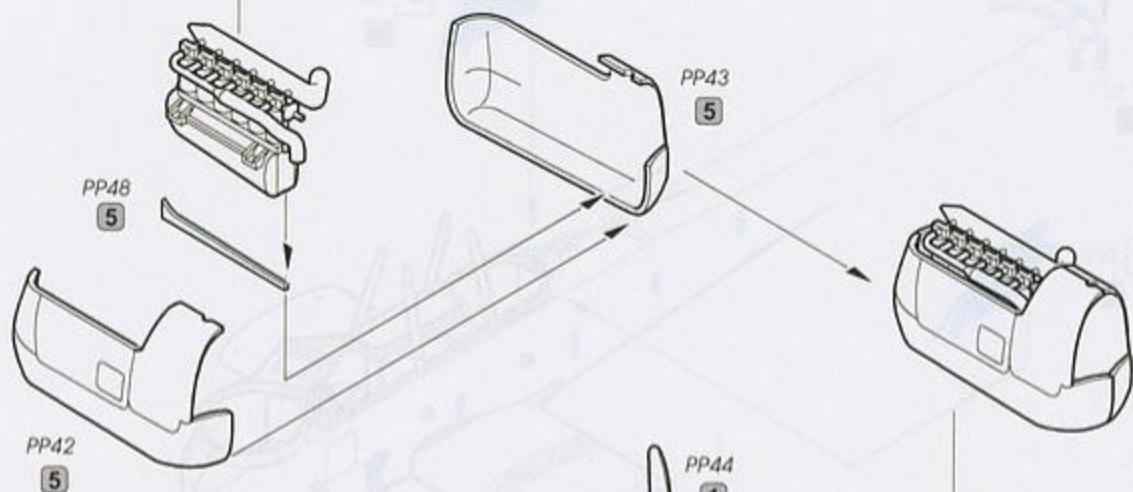
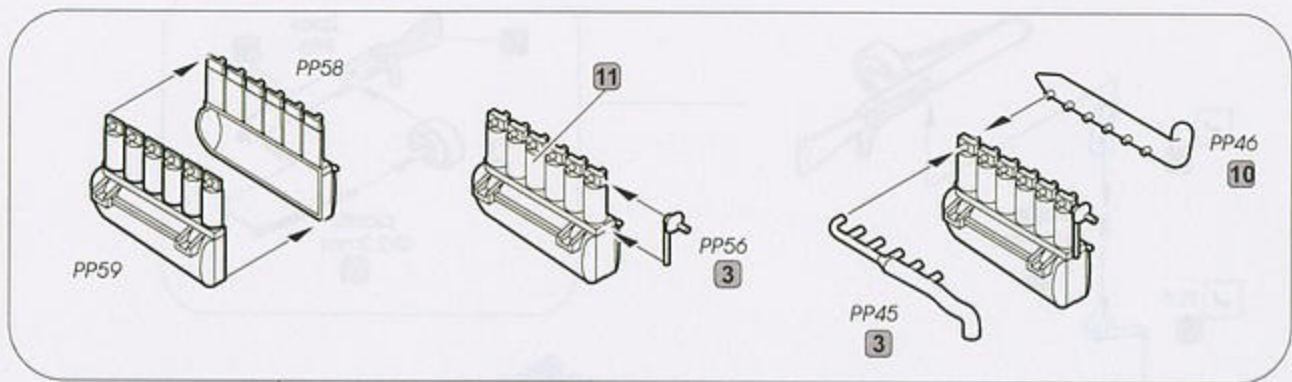
step #1.... photo etched part  
 step #2.... color  
 step #3.... decal

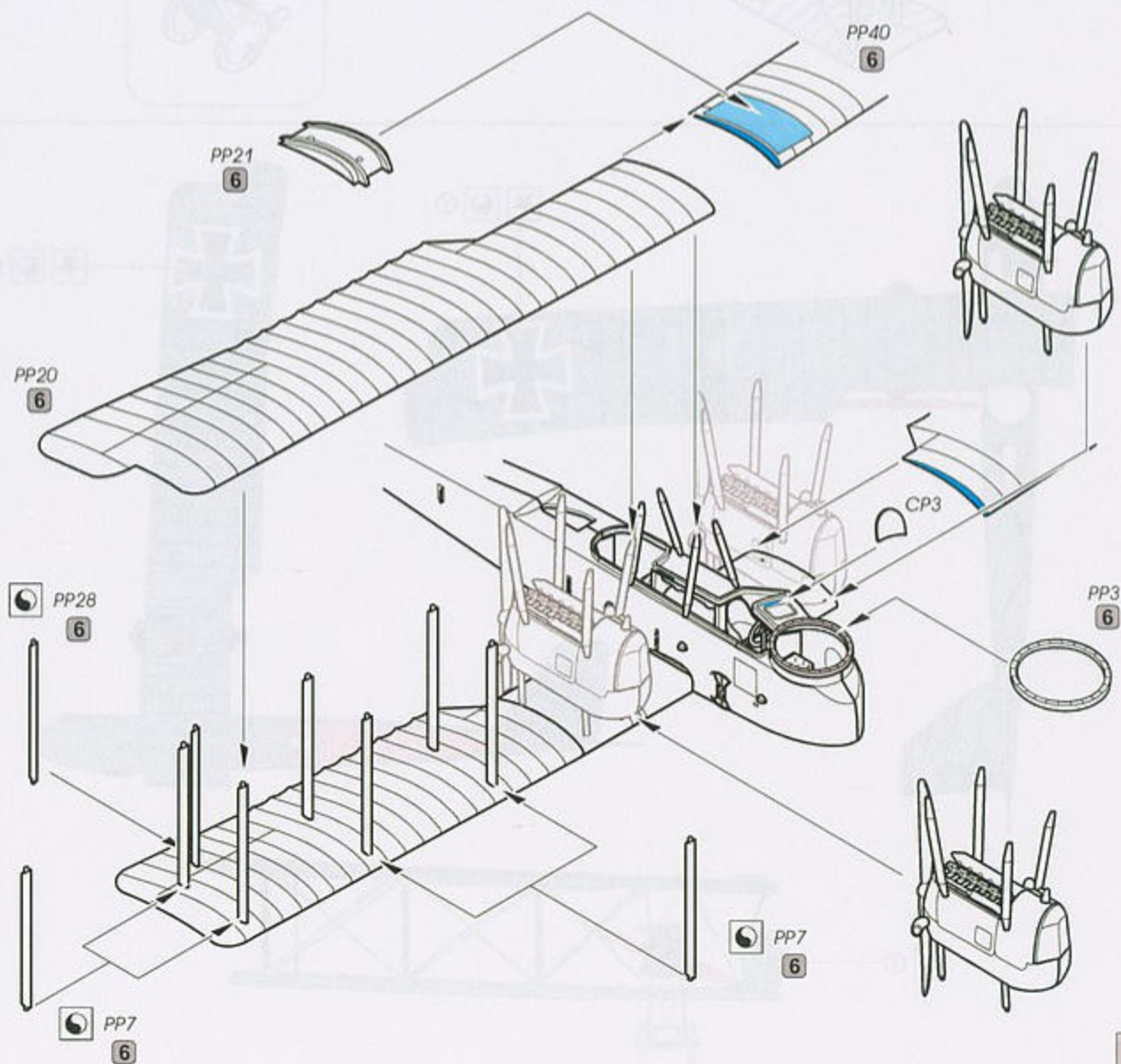
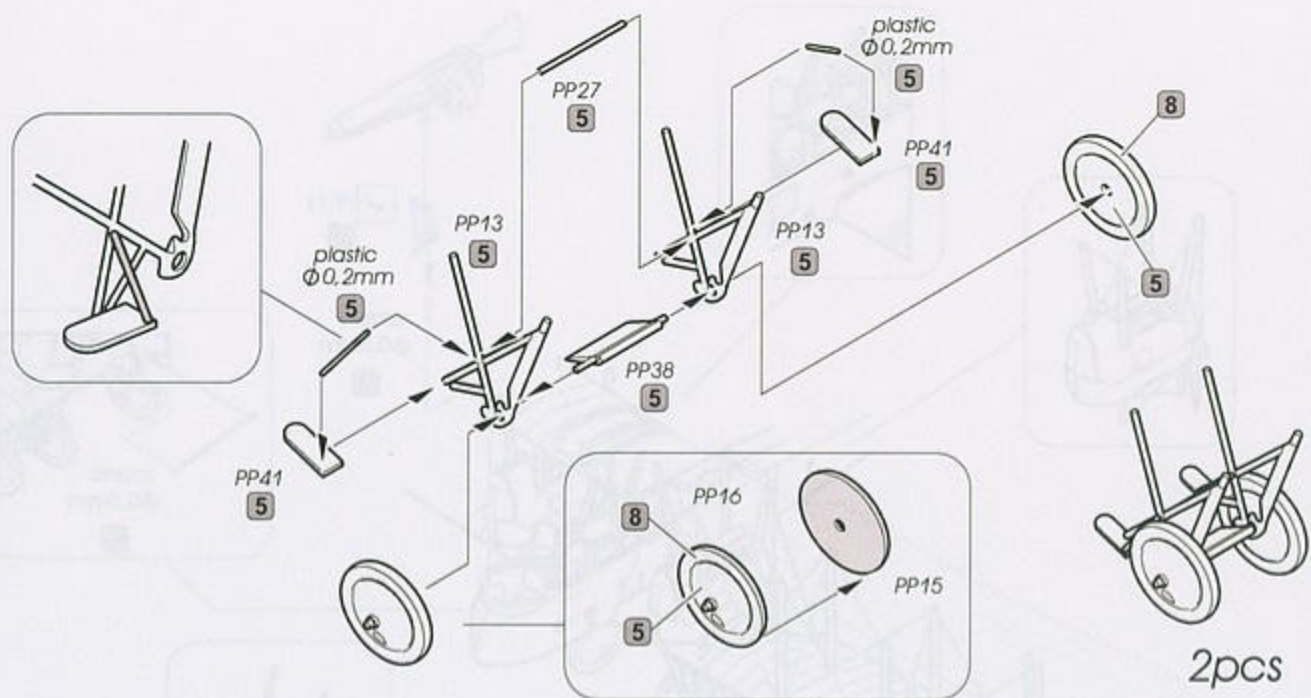




plastic  
Ø0.5mm  
9



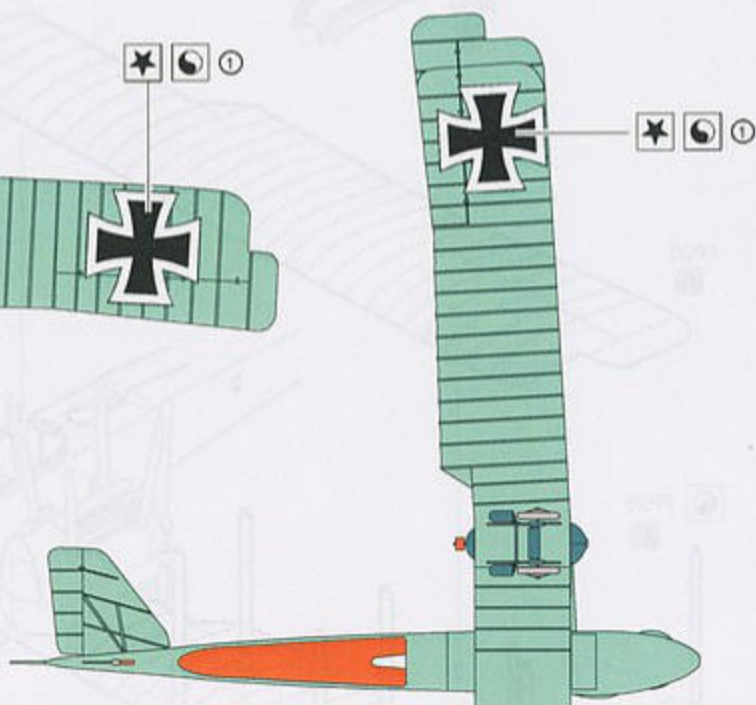
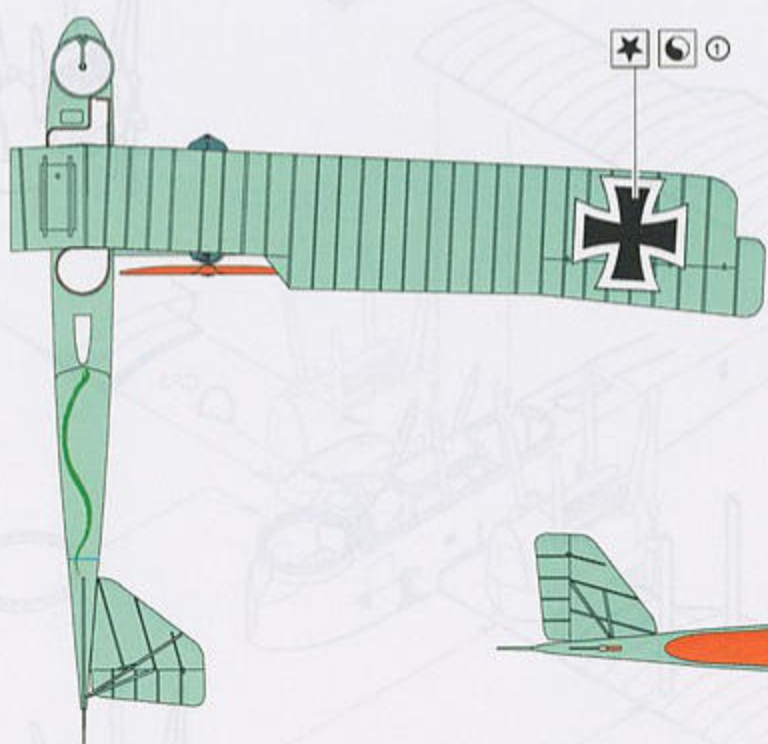
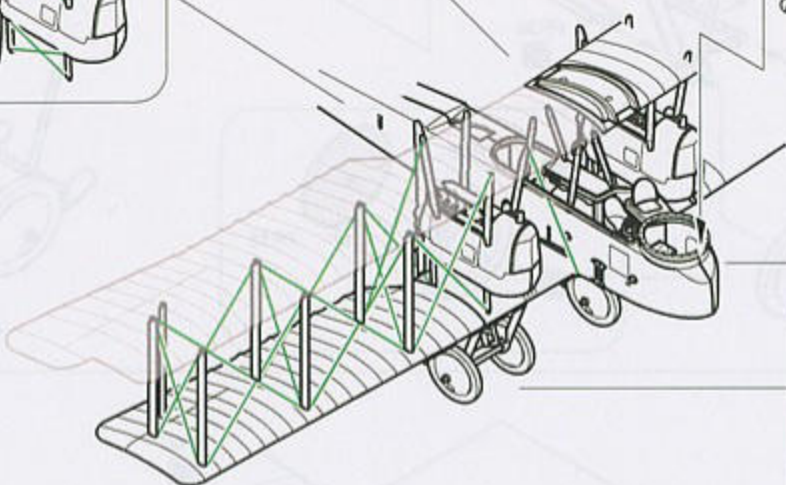
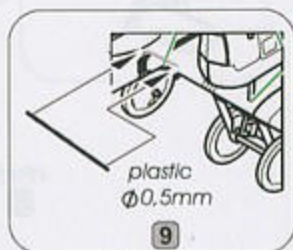






PE11  
5

plastic  
Ø0,5mm  
9



★ ⑧

