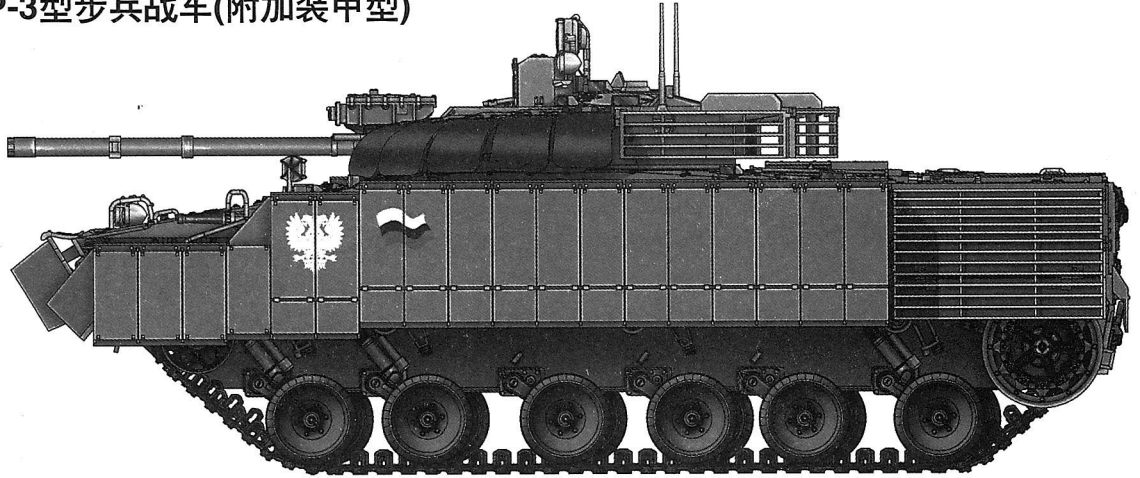


1:35 SCALE

ITEM NO.:0036

# BMP-3 with Upgrade Armour

## BMP-3型步兵战车(附加装甲型)



### READ BEFORE ASSEMBLY:

- Study and understand these instructions thoroughly before beginning assembly
- When needed, remove photo-etch parts carefully using a modeling knife or photo etch sprue cutter, being careful not to damage or lose small parts.
- Take extra care in handling photo etch parts in order to avoid injury
- Apply instant cement sparingly to photo etch parts where instructed
- Tools recommended(not included in kit):Plastic and instant cements, sprue cutters,long nose pliers,modeling knife, small files, tweezers, pin vise & scissors. Soft cloth and sandpaper will also assist in construction
- Glue and paint are not included in the kit. Use plastic cement and hobby paints only. Color guide for purchasing paint is included in the kit.

### 装配之前仔细阅读

- 小心用模型锉刀锉平所有零件表面的注射浇口。
- 小心用刀片切下蚀刻片零件，不要遗失小零件。
- 用强力快干胶水粘合蚀刻片零件和金属轴。过量快干胶使用可能导致可动零件会粘住，小心涂胶。
- 取蚀刻片时应特别注意安全，防止利边划伤手指。
- 某些零件表面需贴水上贴纸，请选择在装配的同时进行
- 推荐模型工具(自备)：胶水，水口剪刀，长咀钳，刀片，锉刀，镊子，钳，钻，剪刀，瞬间快干胶。
- 软布同砂纸同时也应该是必备工具。
- 请使用塑料胶水和油漆，模型内不含。



配重  
Weight



使用强力胶  
Cyanoacrylate glue



钻孔  
Make hole



切除  
Cut / Remove



贴纸  
Decal



锉平  
File / Sand



选择  
Option



不涂胶水  
No cement



弯曲  
Bend

### 水贴纸的使用:

- 1.从水贴上剪下印花;
- 2.将印花放入温水中浸10秒, 然后放在干净布上。
- 3.拿着印花纸板将印花移到模型上;
- 4.手指蘸水将印花移到适当的位置;
- 5.用软布轻轻压印花直至无水。 咨询当生

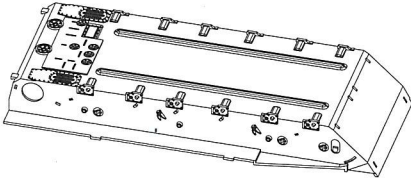
### DECAL APPLICATION

- 1.Cut decals from sheet as needed
- 2.Dip the decal in warm water for about 10 seconds and then place on soft clean cloth.
- 3.Hold the decal backing sheet edge and gently slide the decal onto the model in its proper position.

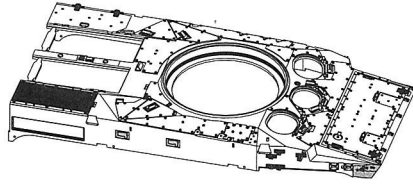
- 4.While still wet,decal can be adjusted for better fit on model by dampening it gen with your finger.
- 5.When placed in the proper position,gen press decal down with a soft cloth until excess water and air bubbles are gone
- 6.Allow decal to dry completely before handling model

# 部品图 Parts

《车底》 Lower hull

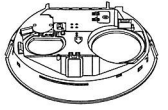


《车面》 Upper hull

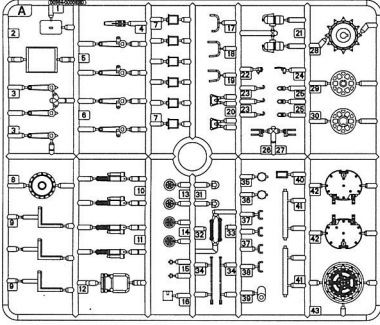


《炮塔》

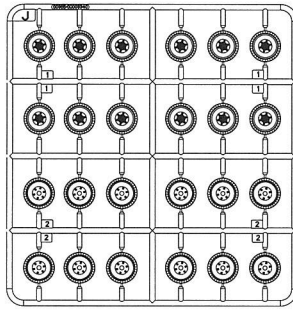
Turret



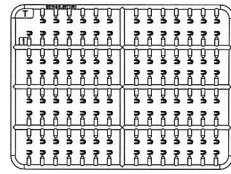
Ax2



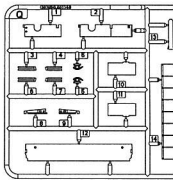
J



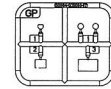
Tx2



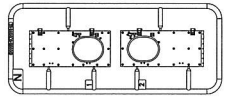
Q



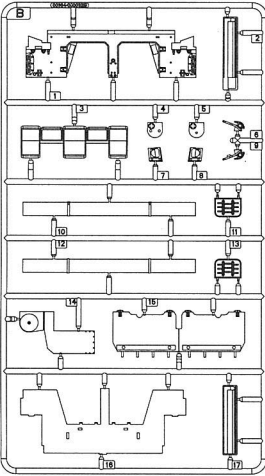
GP



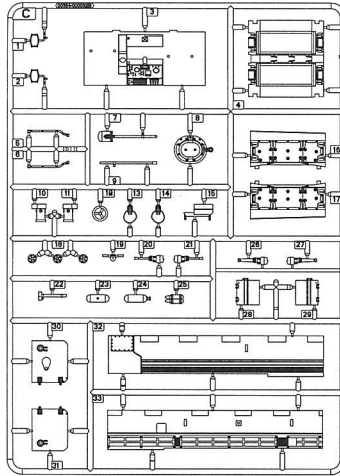
N



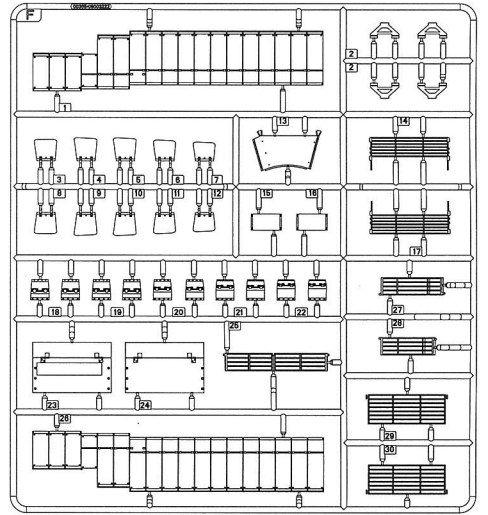
B



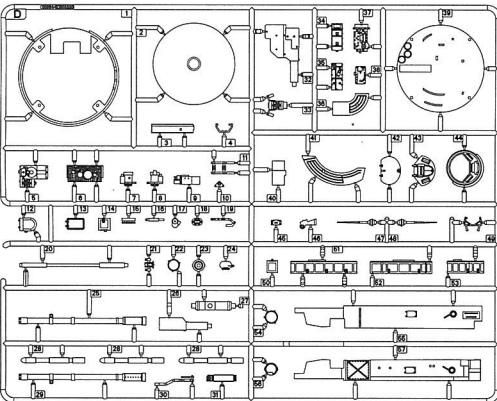
C



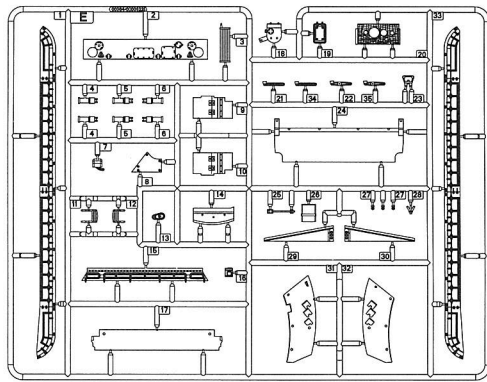
F



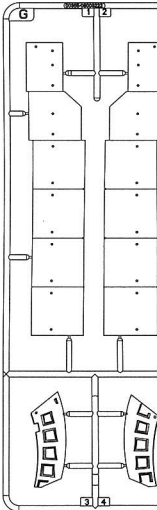
D



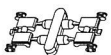
E



G



《履带》 X90  
Track

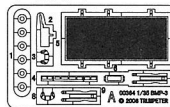


《水贴纸》  
Decal

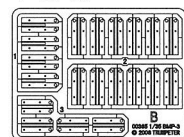


00365 105 BMP-3 with Upgrade Armour

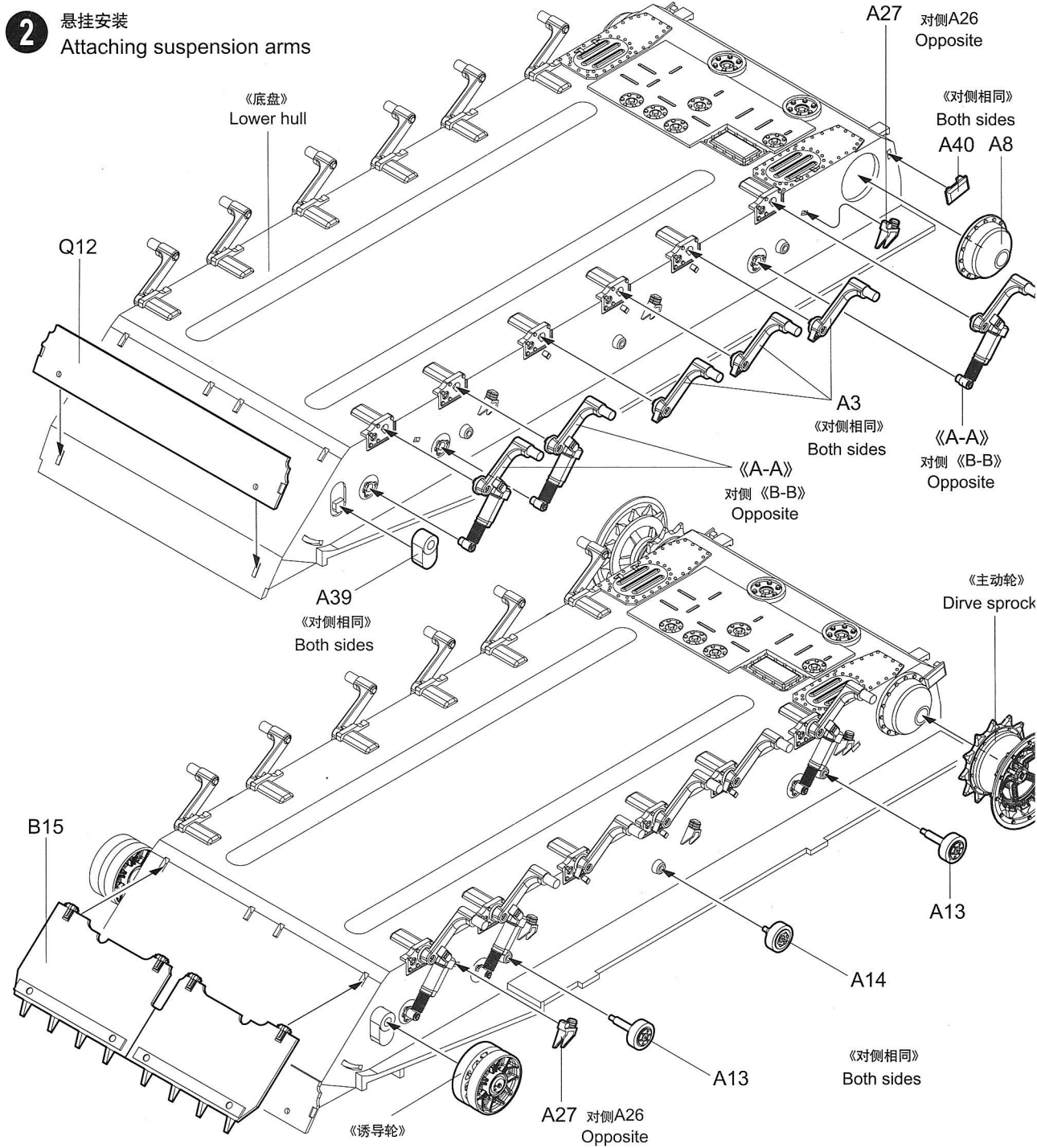
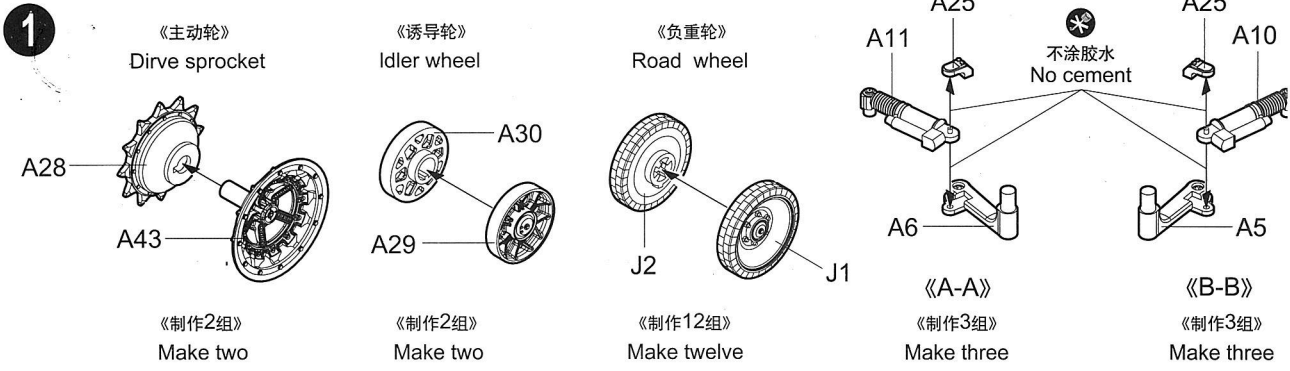
PE-A



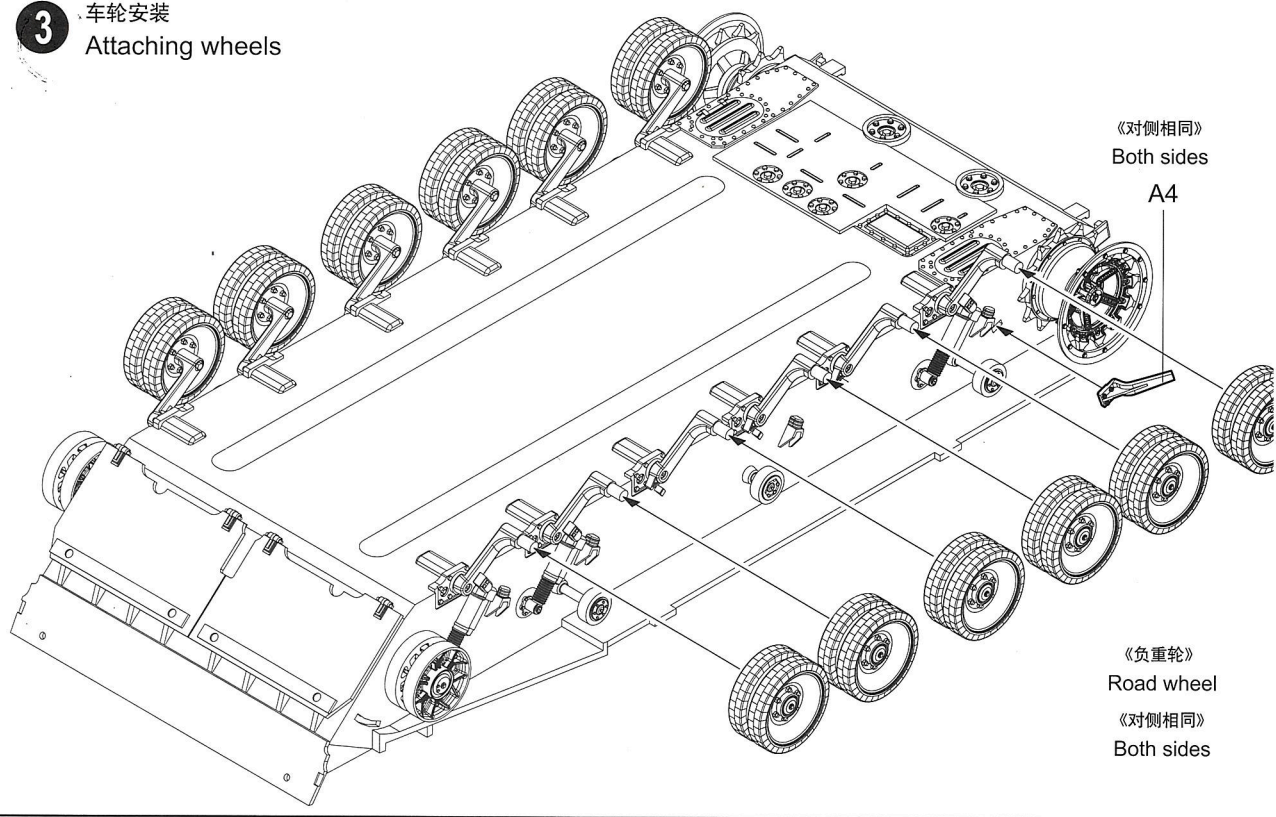
PE-B



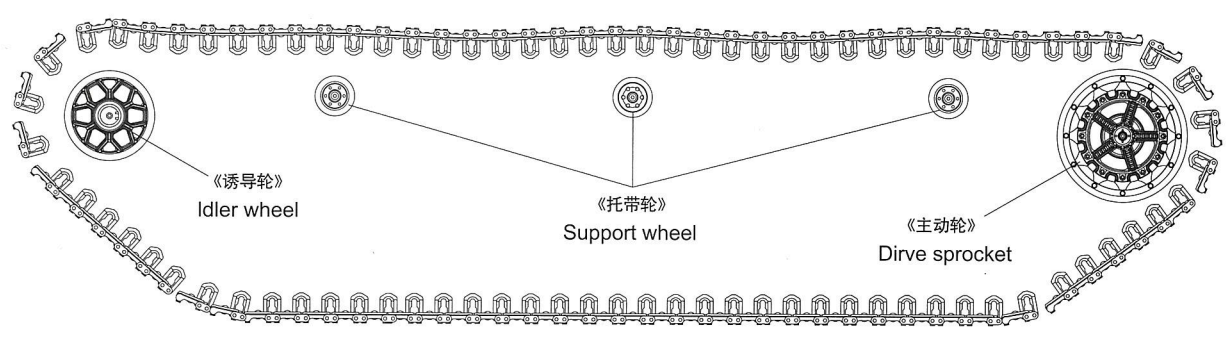
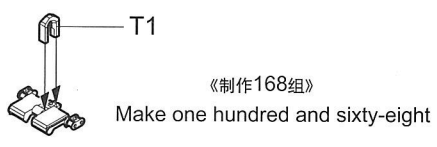
不用部品: A19,B2,B4,B5,B6,B9,D6,D12,E4,E5,E6,E17,E19,E22,E23,E28,E31,E32,E35



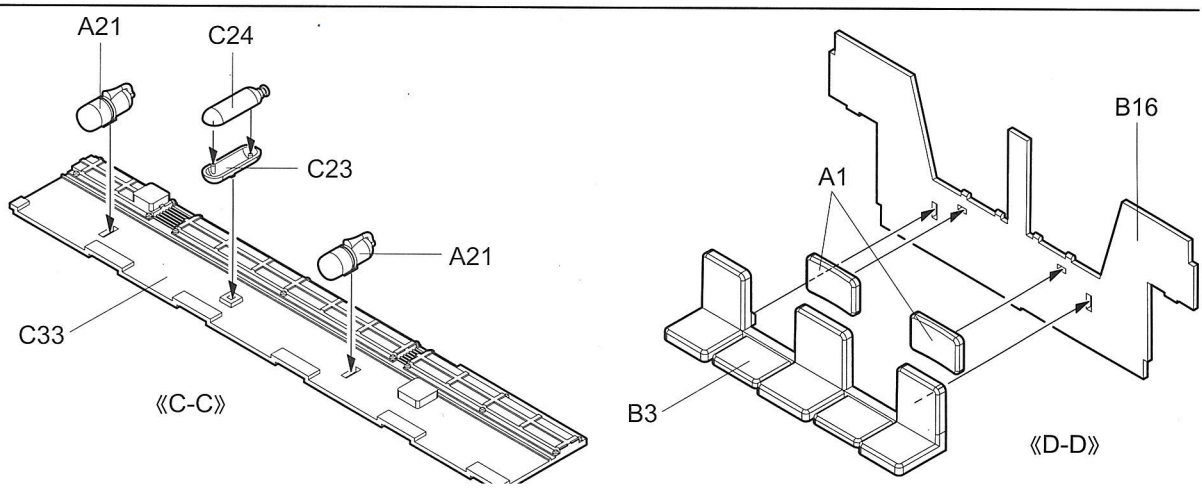
**3** 车轮安装  
Attaching wheels



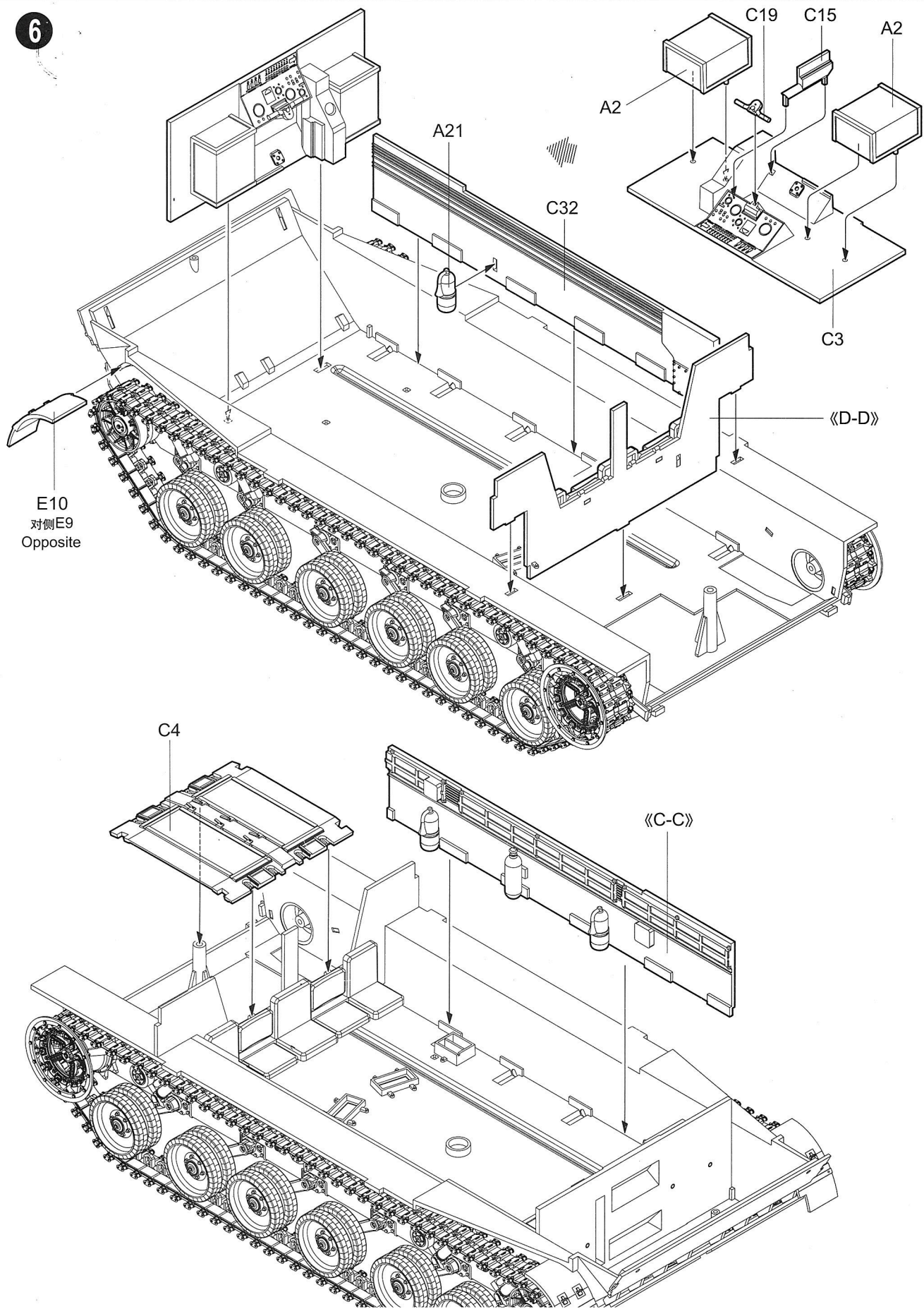
**4** 履带连接  
Track installation



**5**

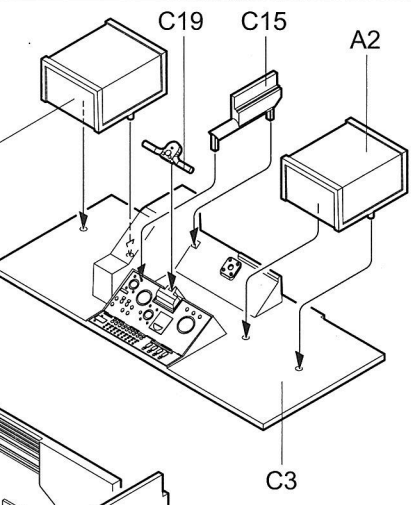


6



E10  
对侧E9  
Opposite

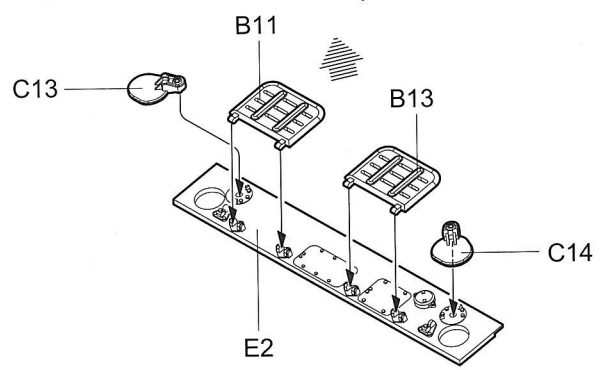
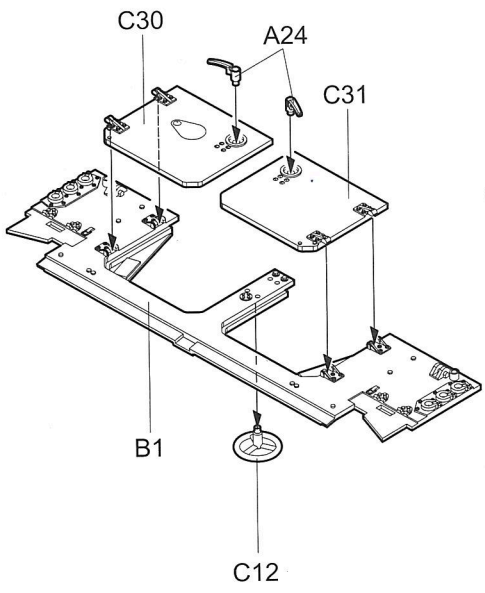
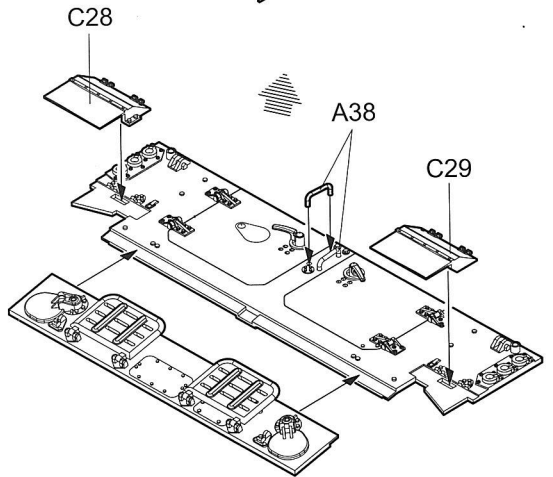
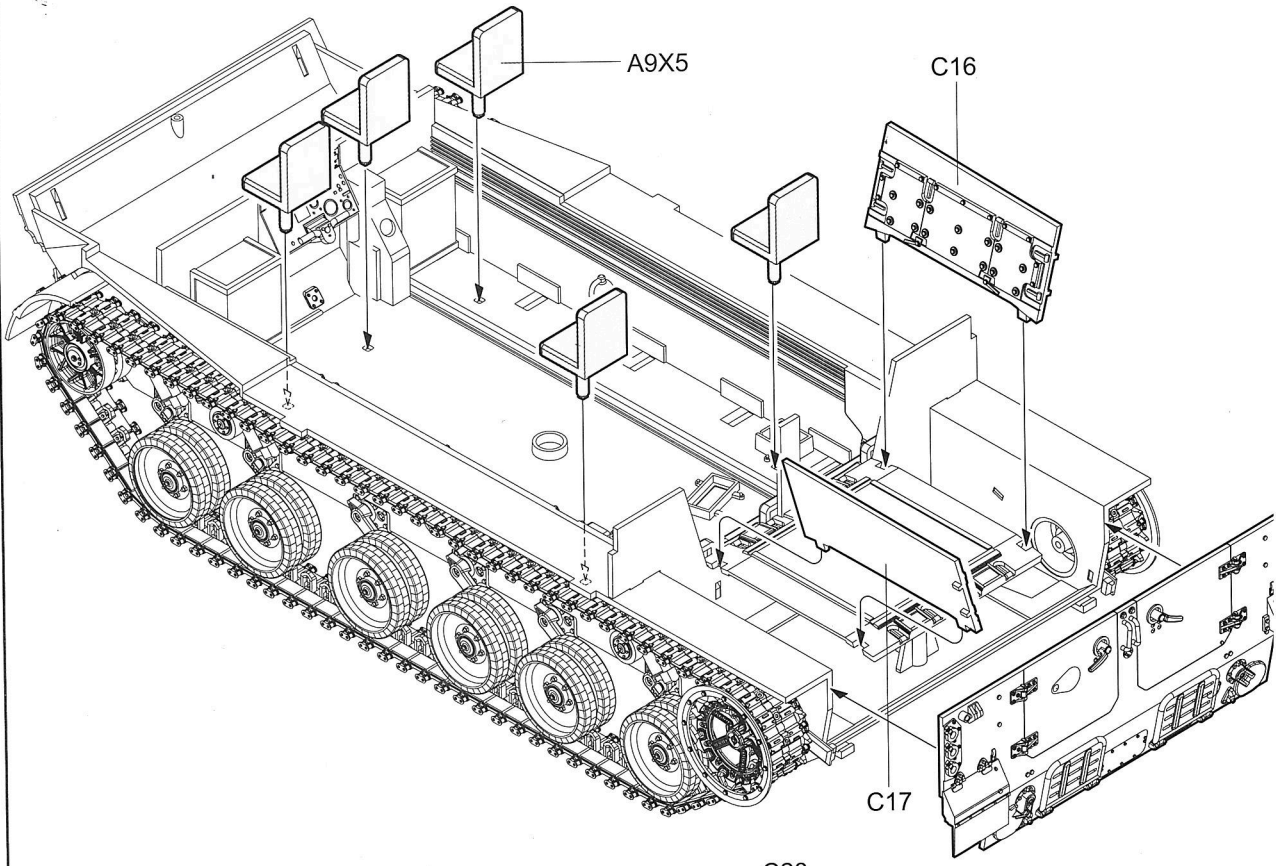
C4

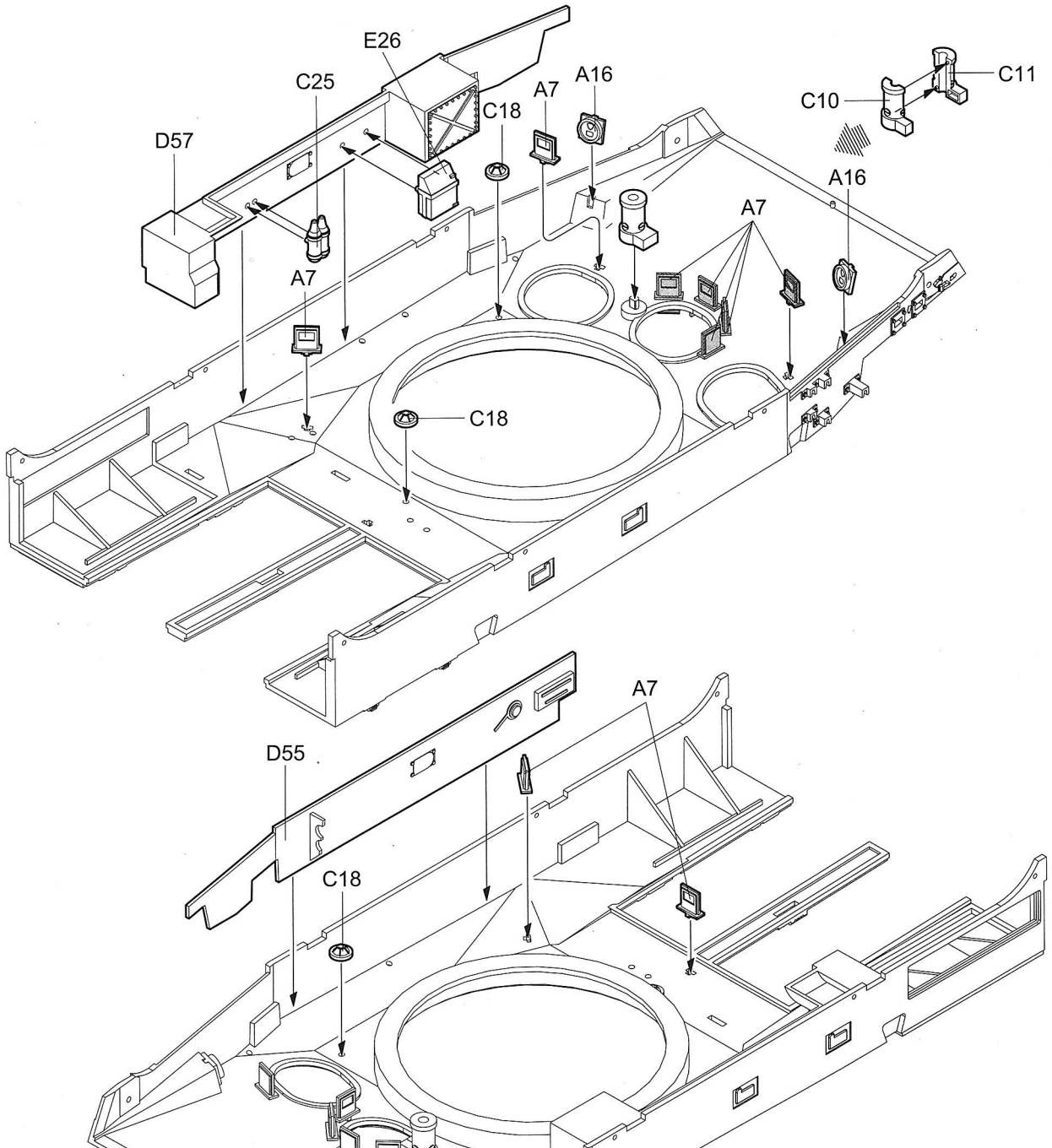
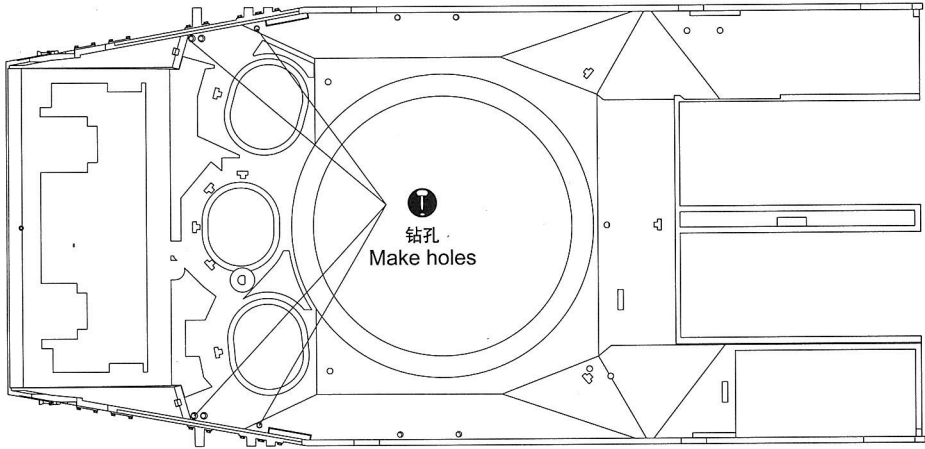


«D-D»

«C-C»

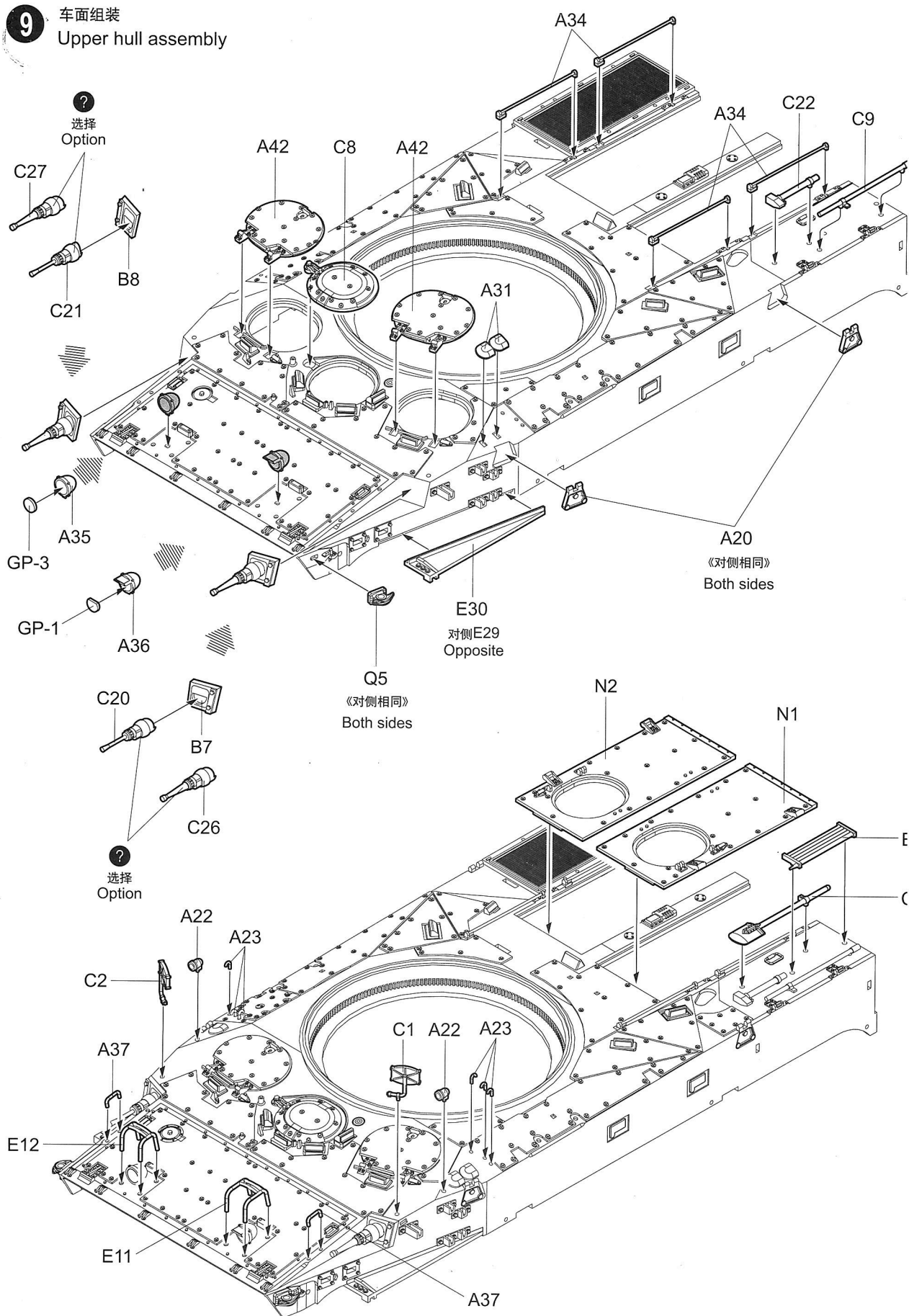
7





9

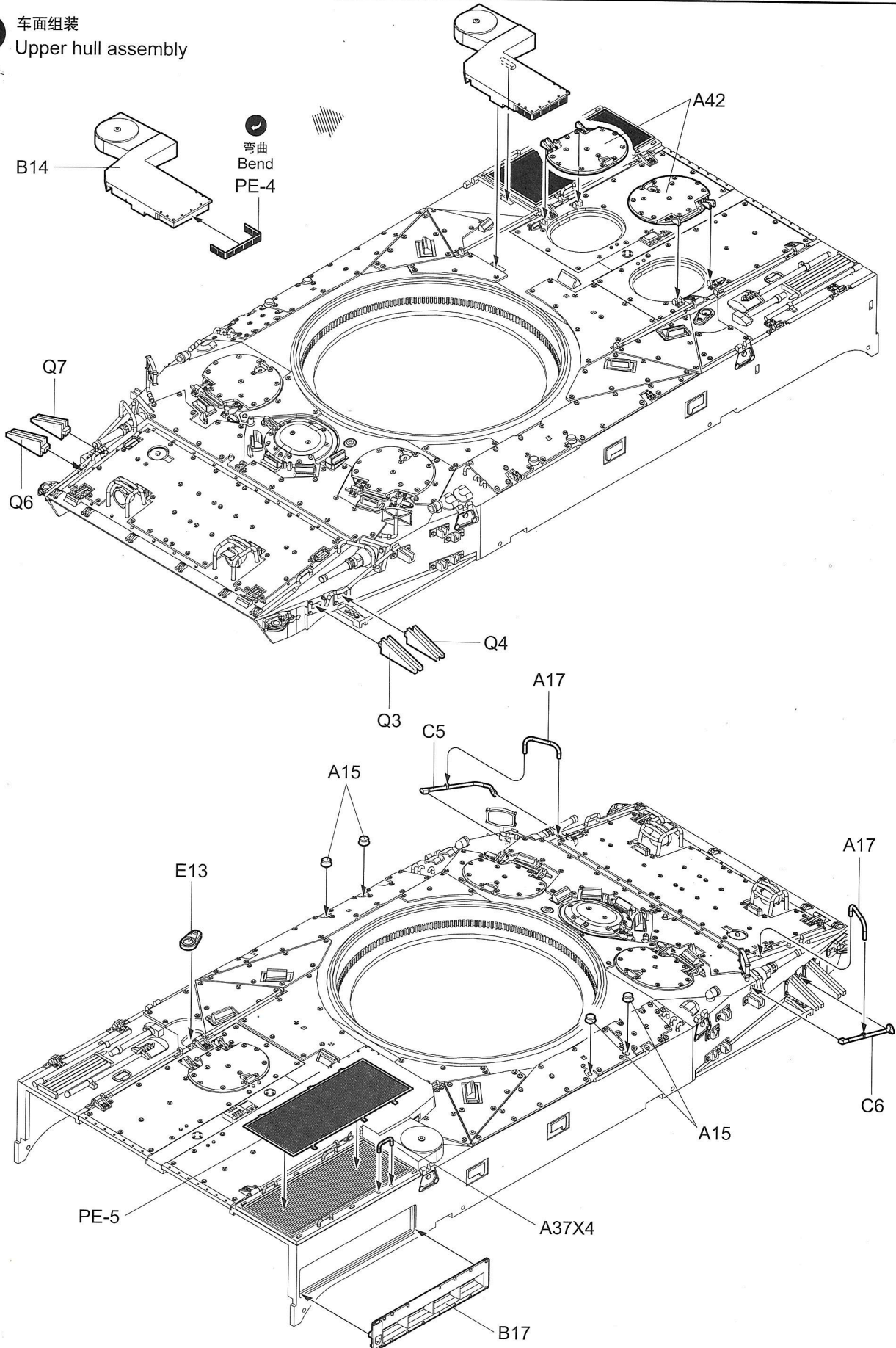
车面组装  
Upper hull assembly

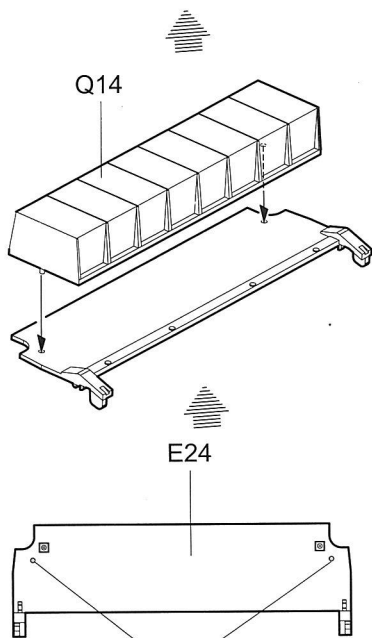
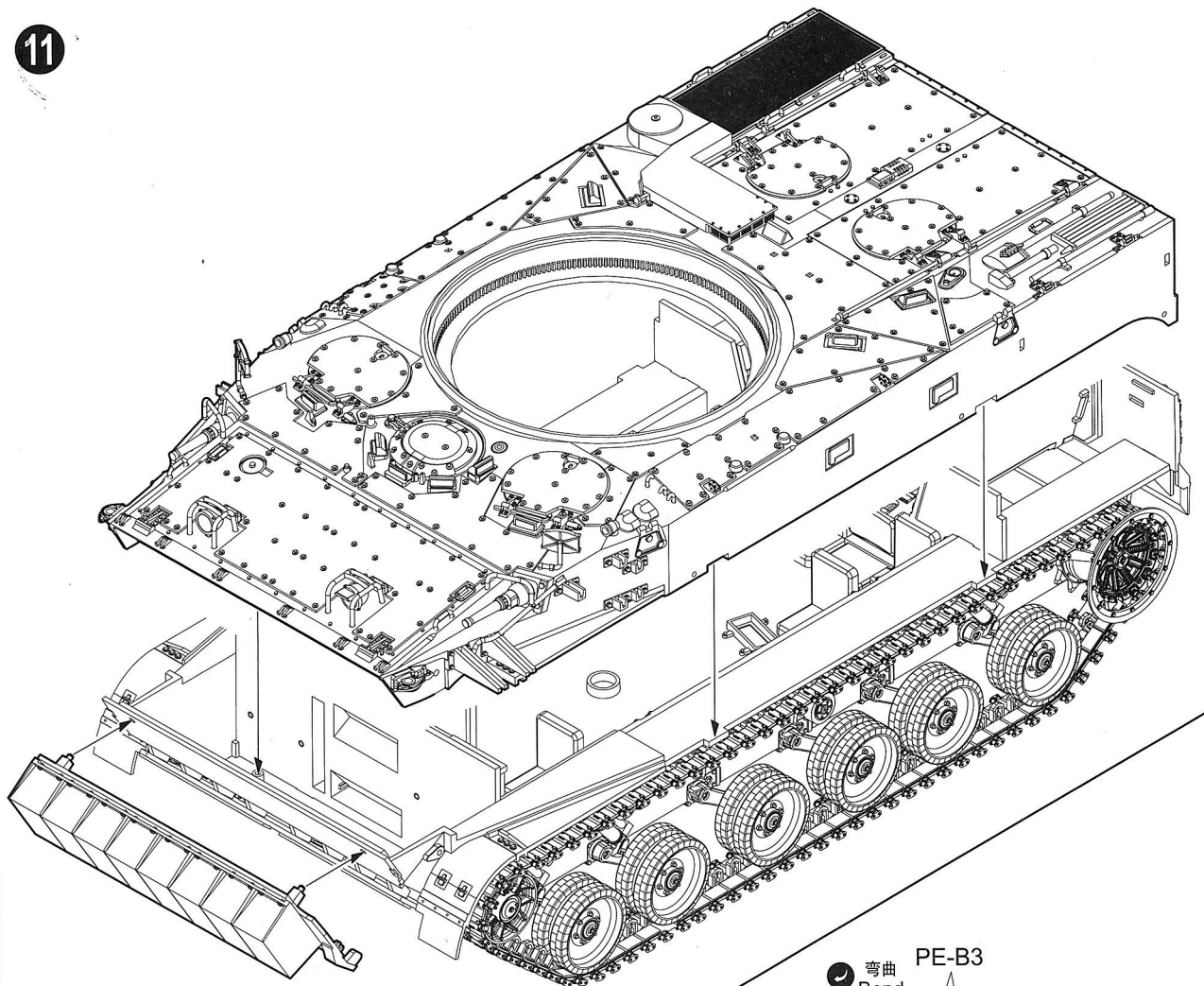




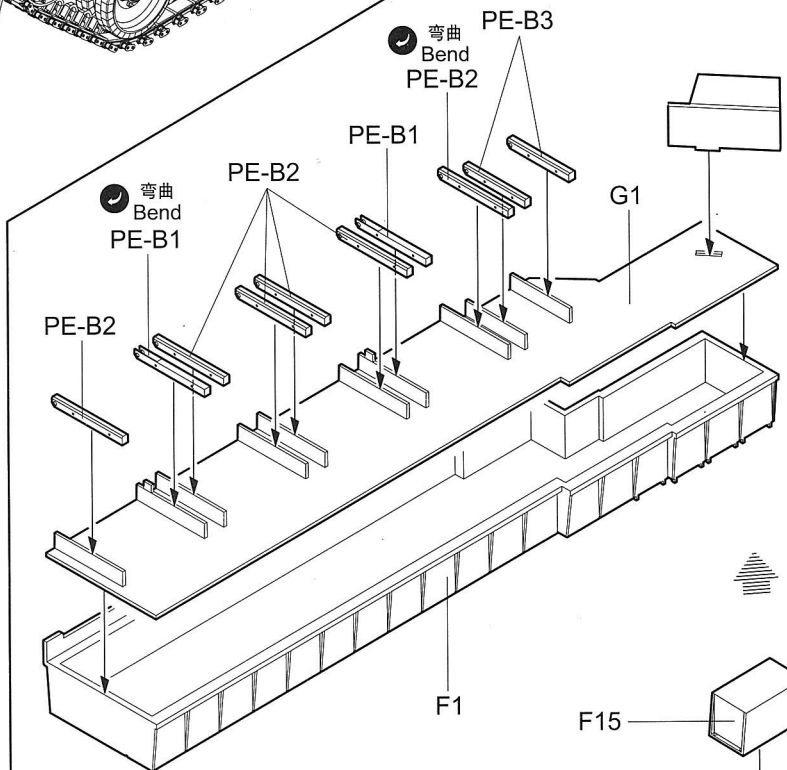
10

车面组装  
Upper hull assembly



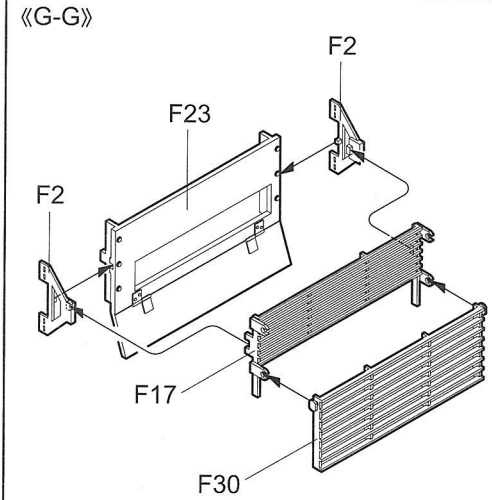
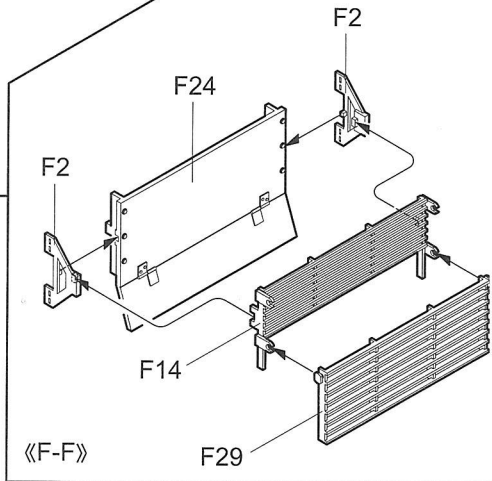
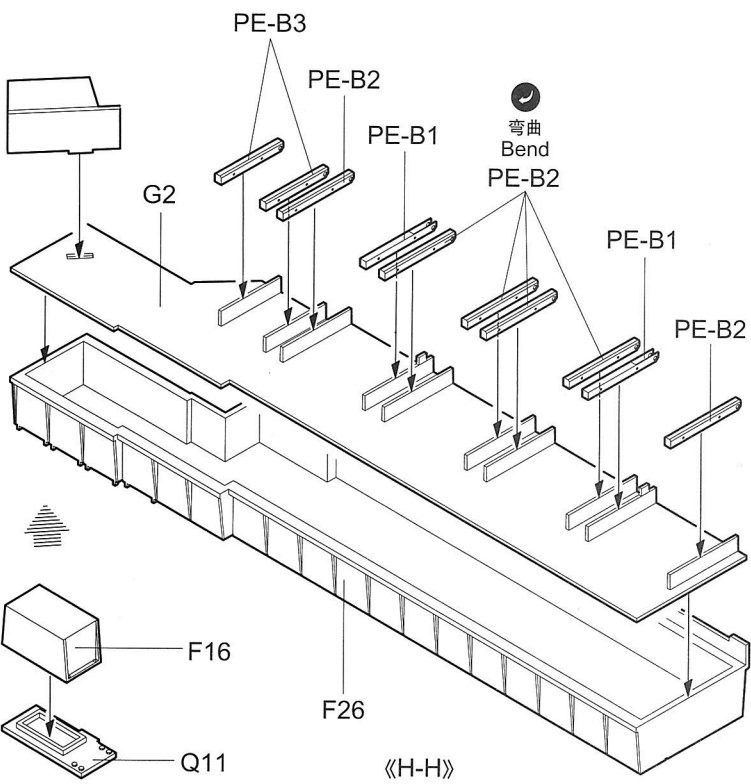
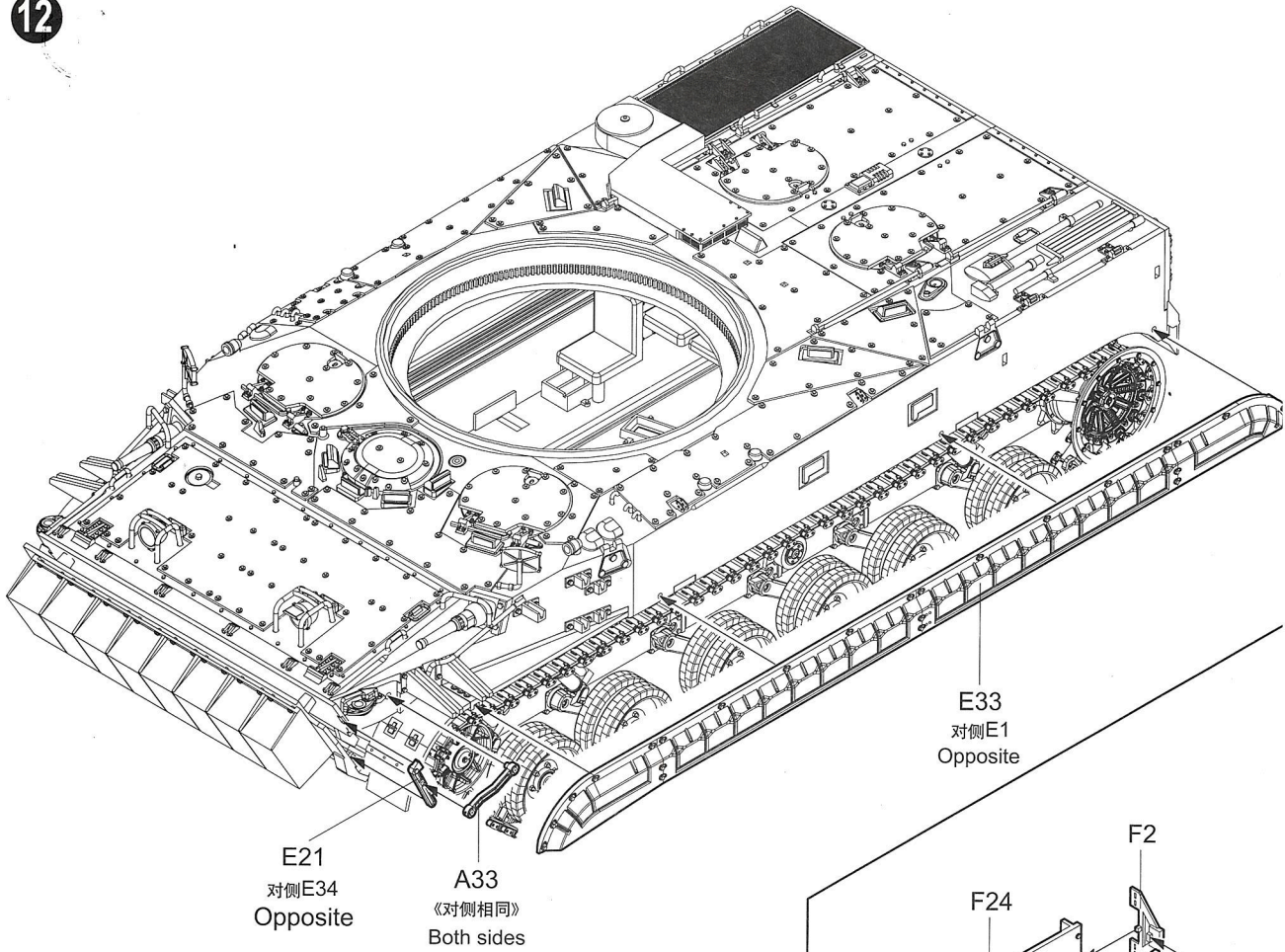


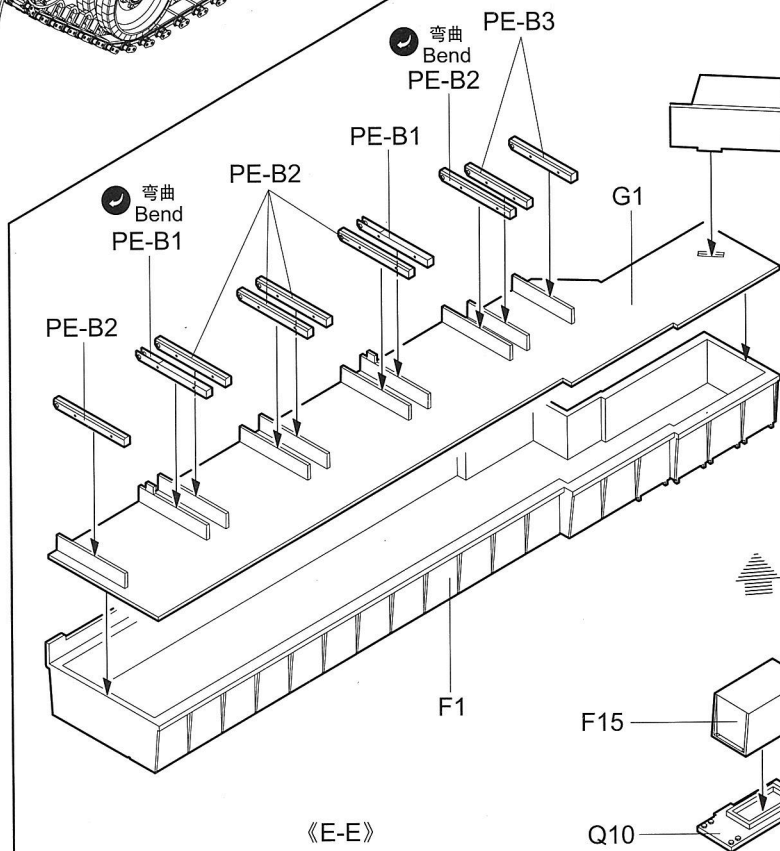
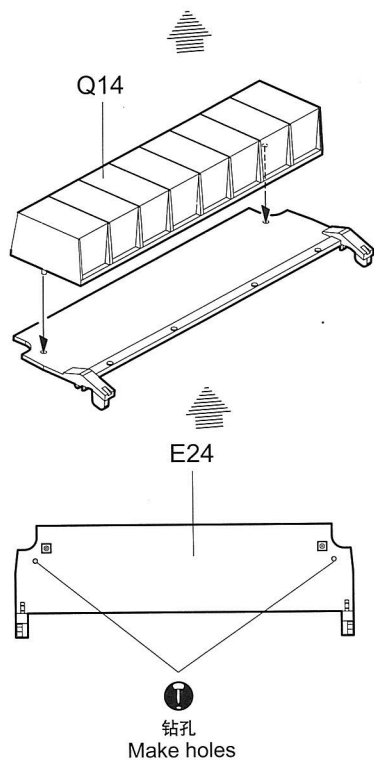
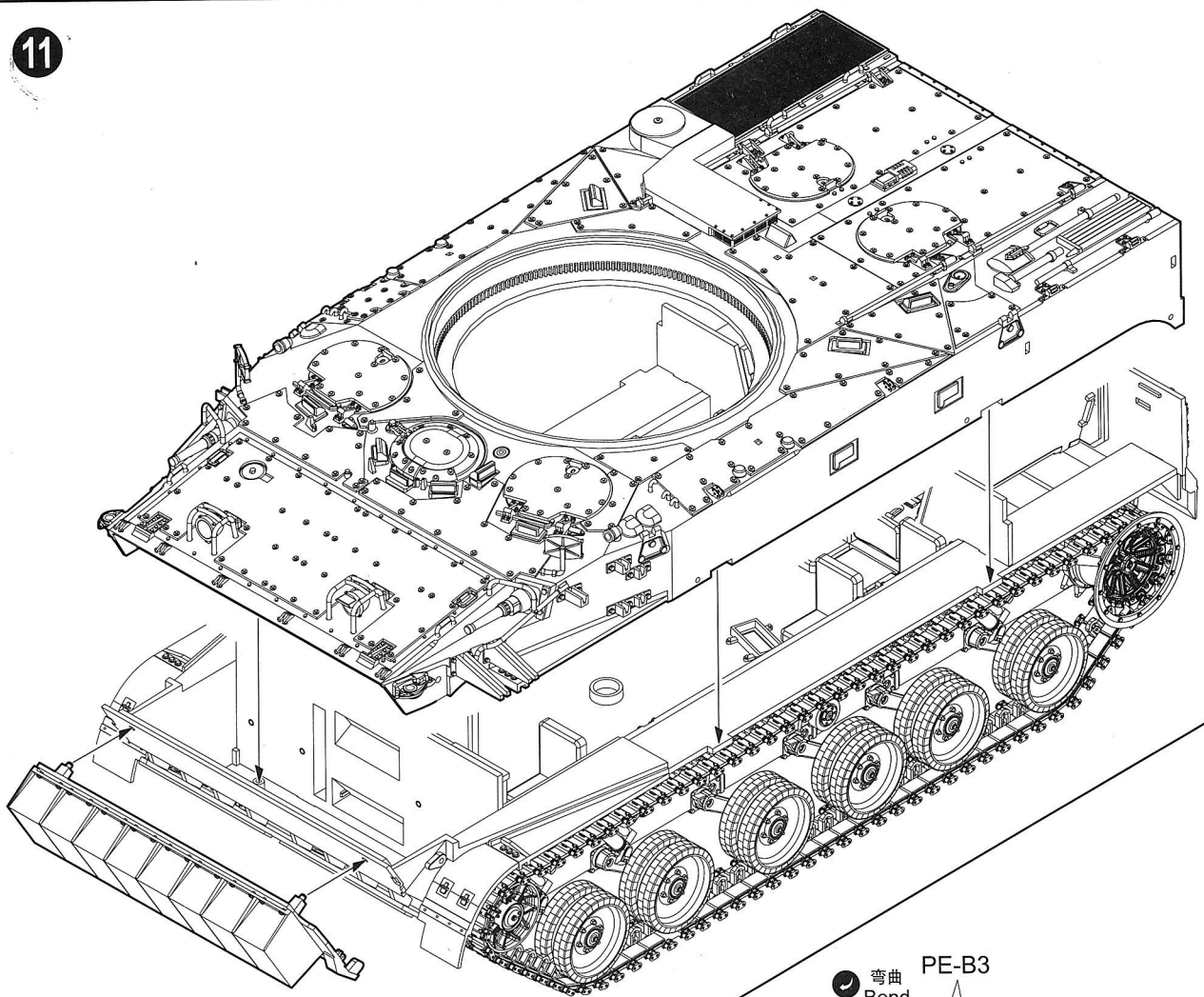
①  
 钻孔  
 Make holes

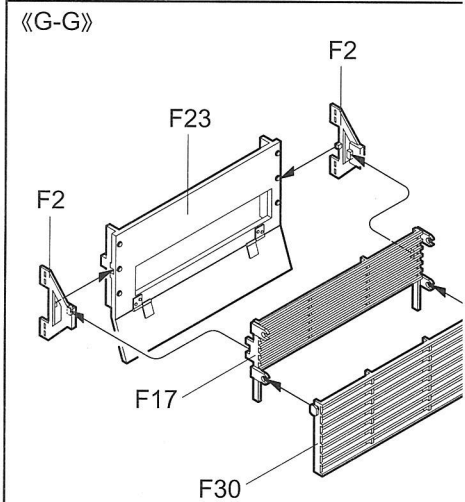
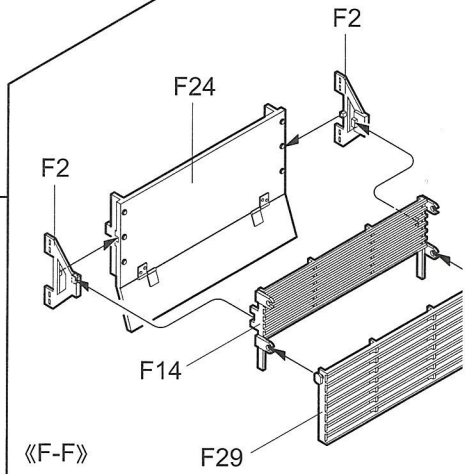
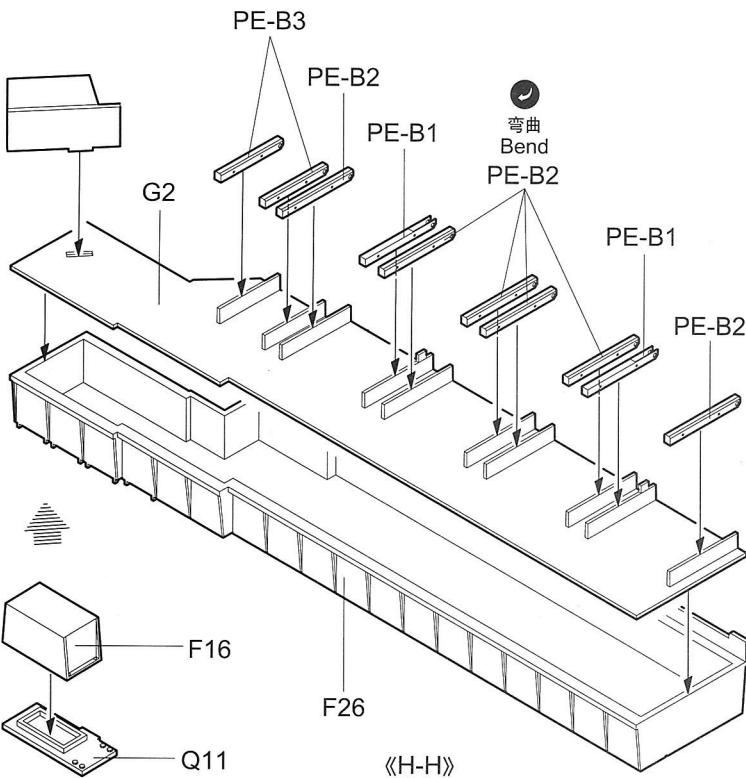
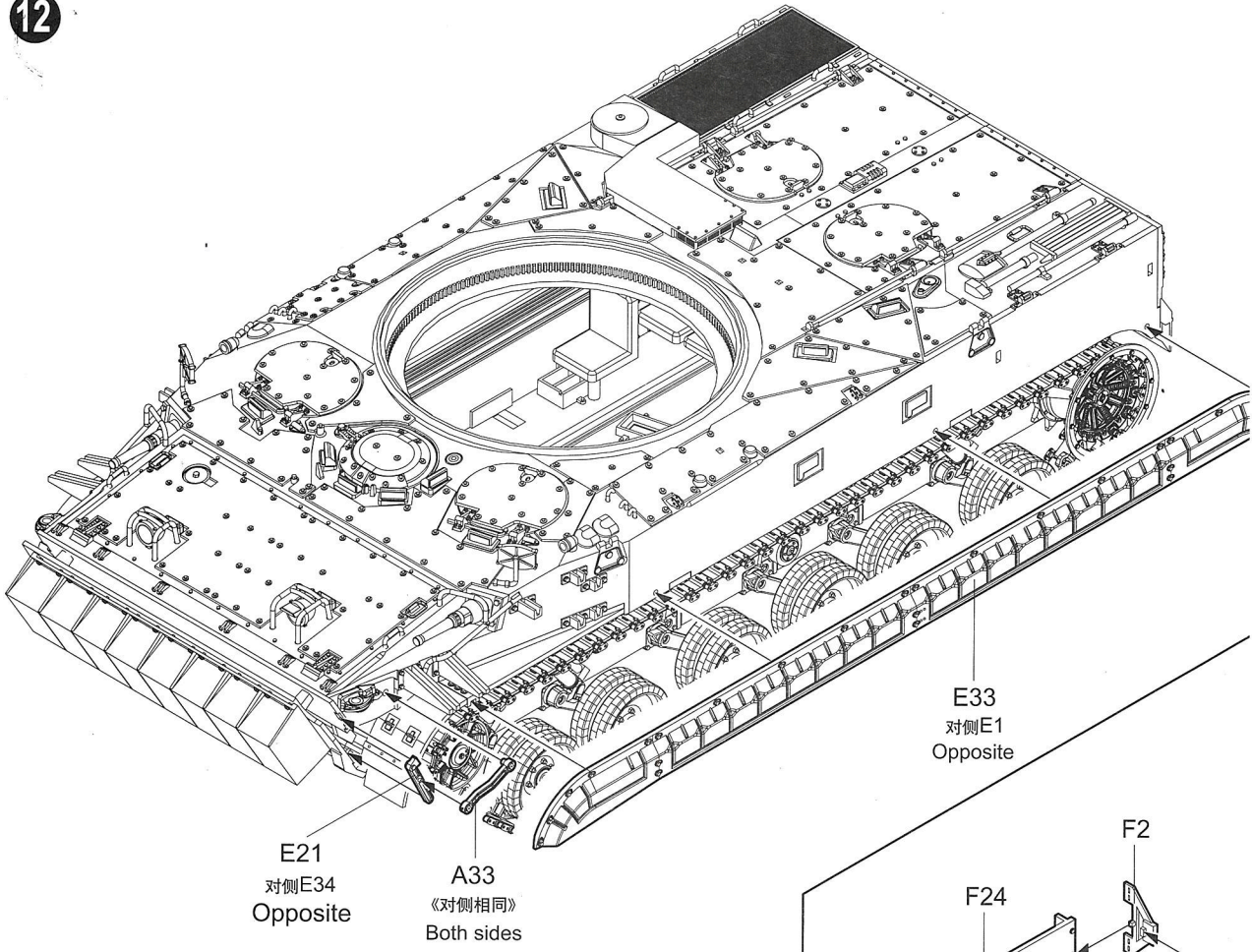


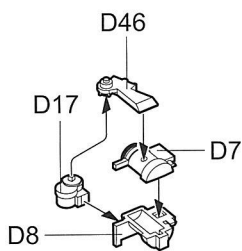
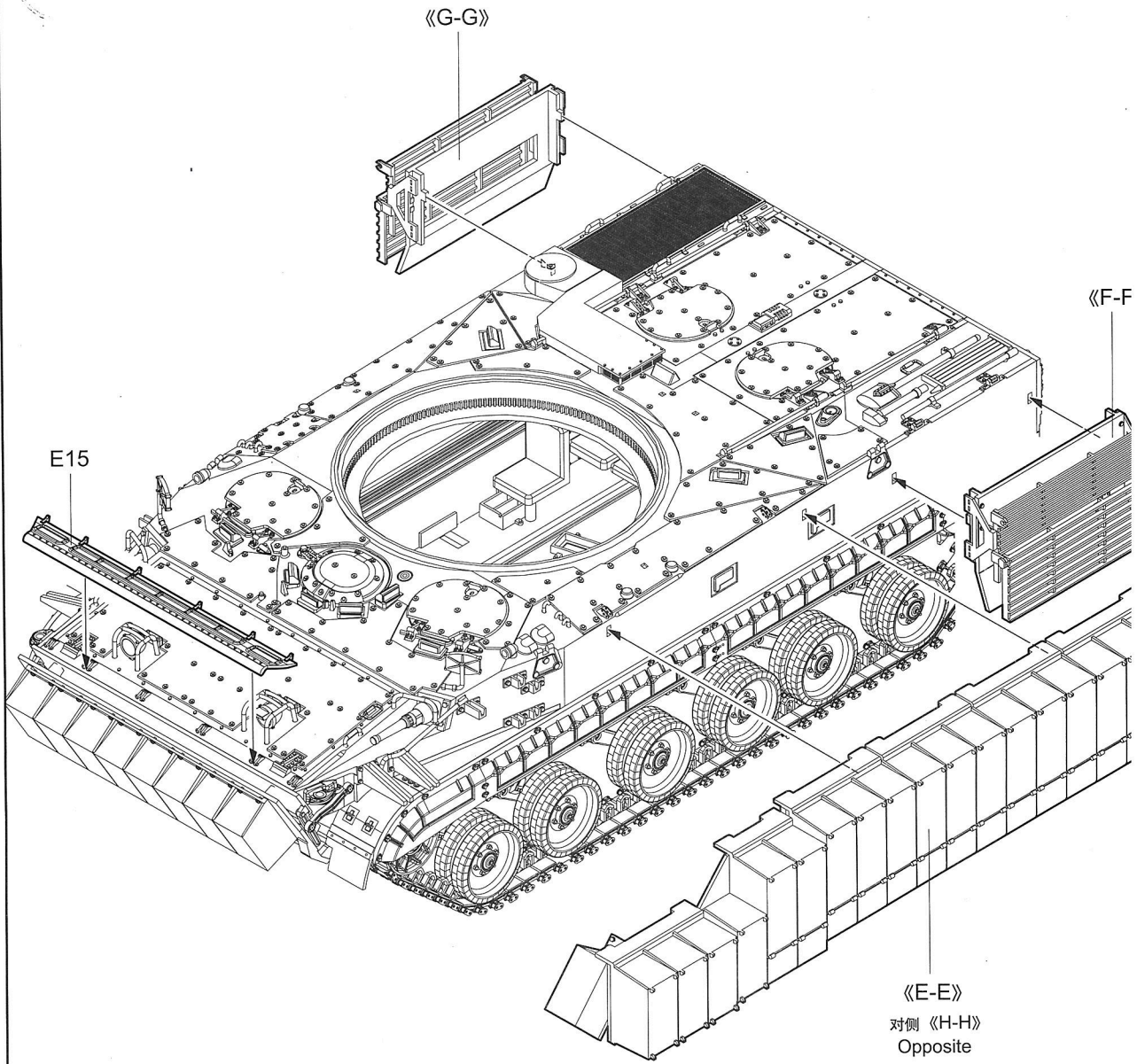
《E-E》

F15  
 Q10

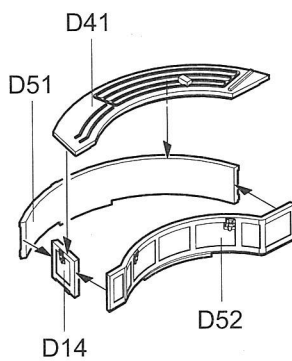




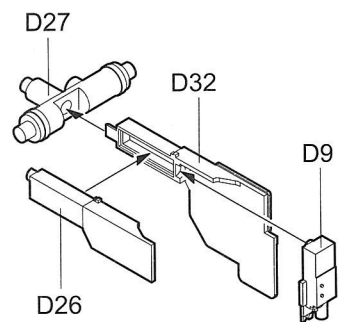




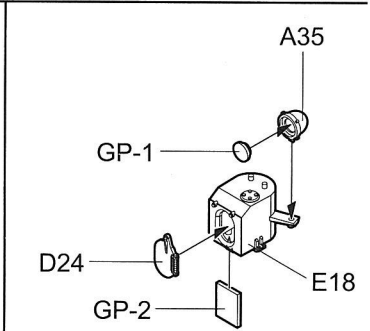
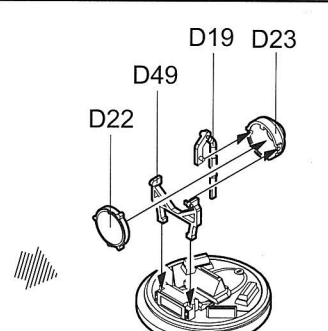
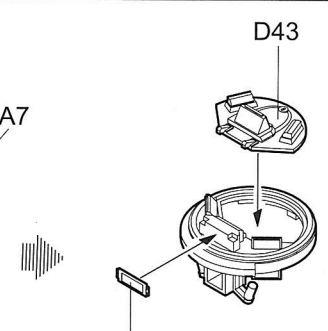
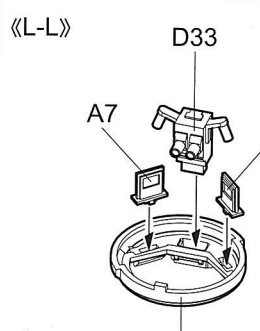
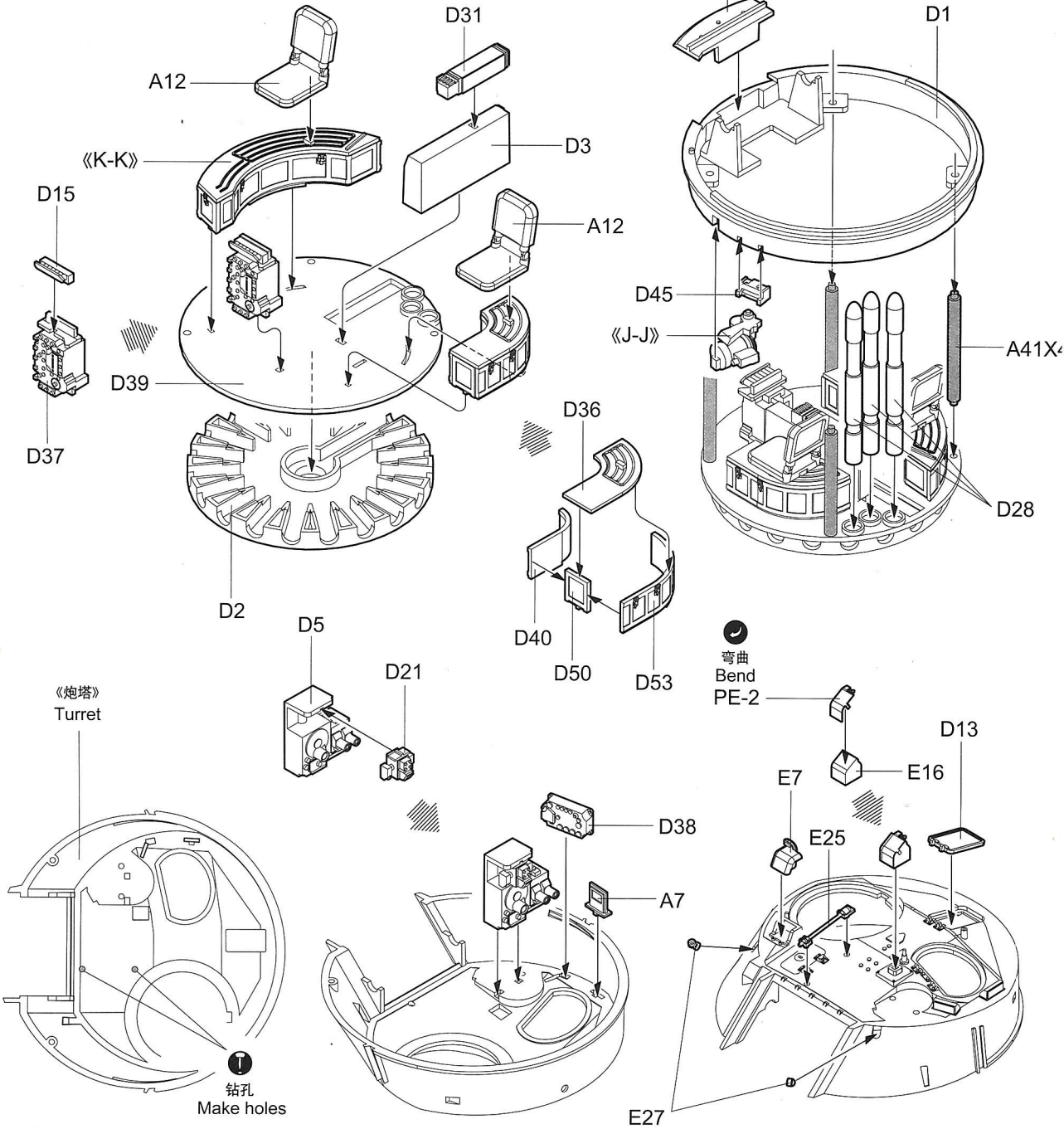
// L III



«K-K»



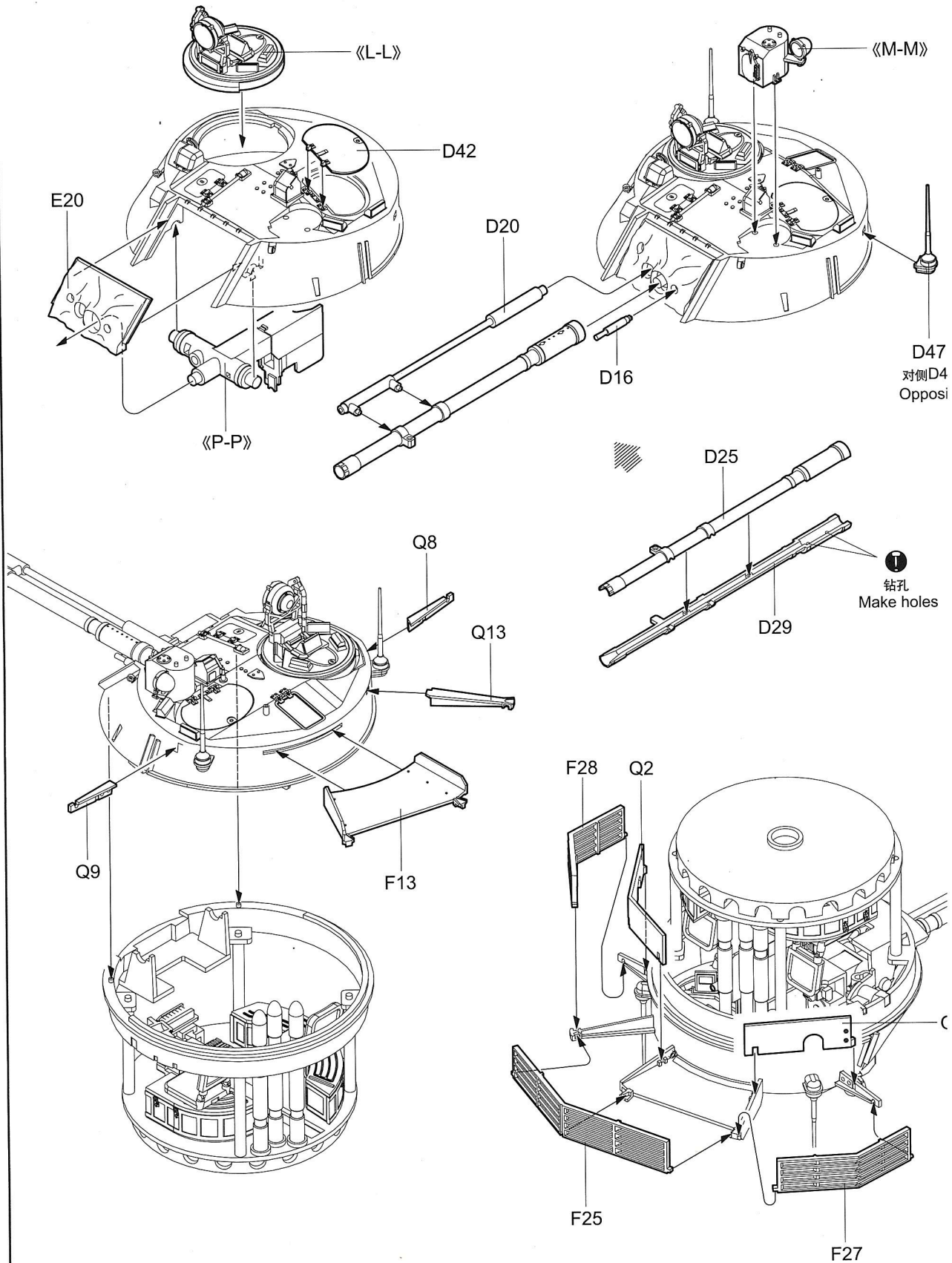
«P-P»



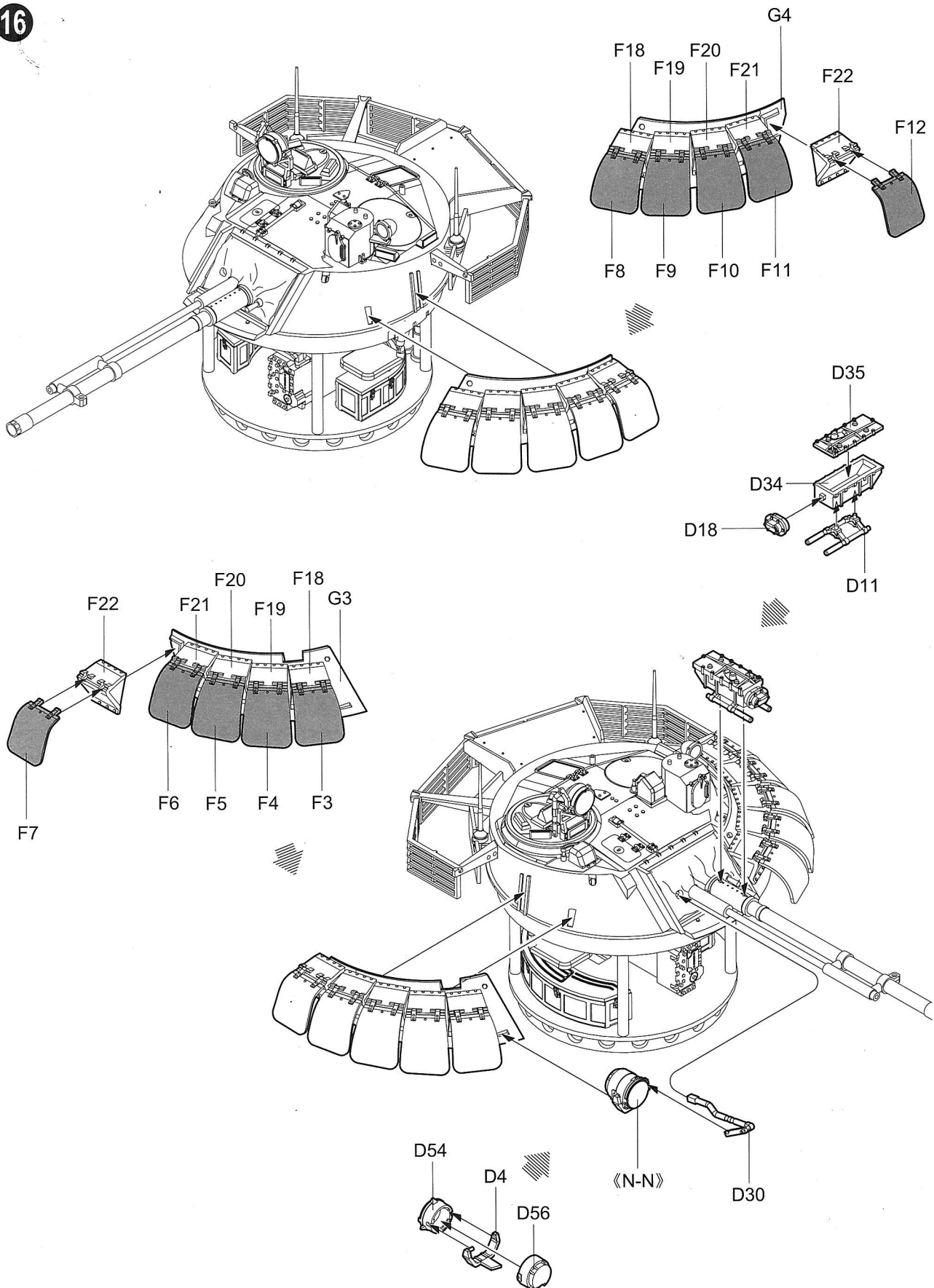
15

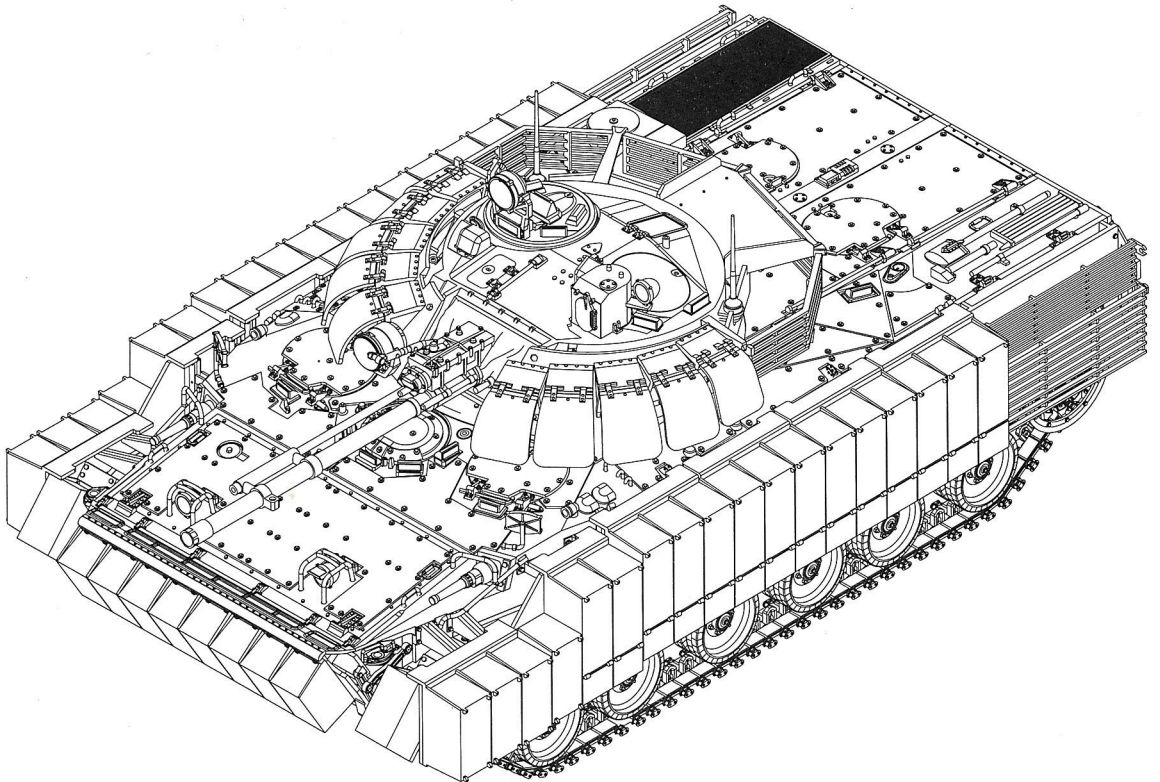
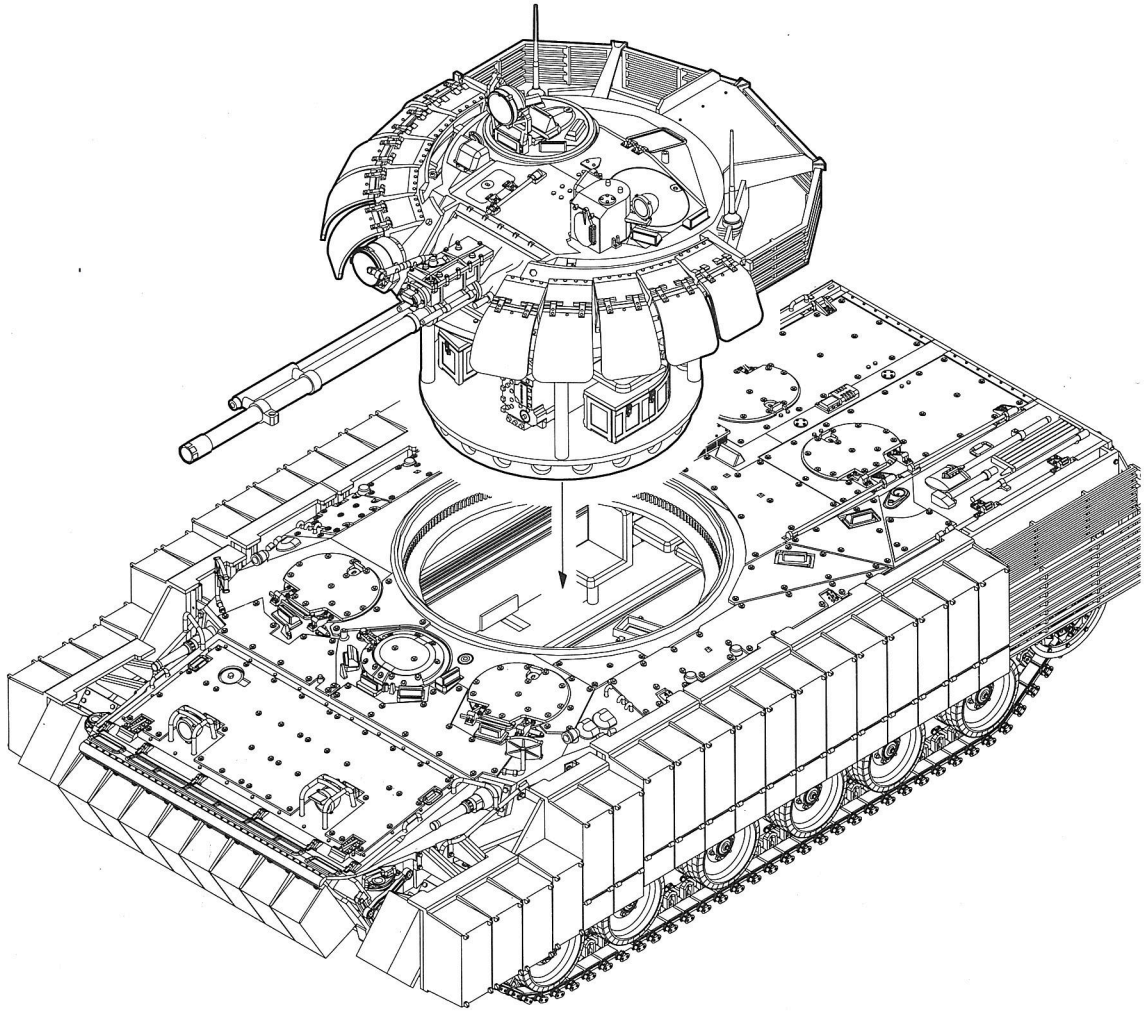
炮塔组装

Turret assembly









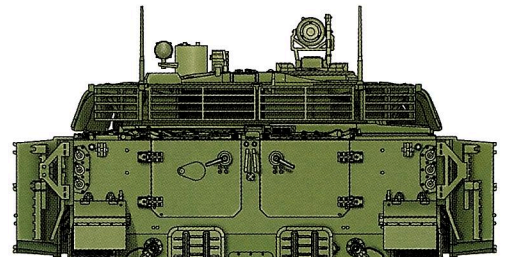
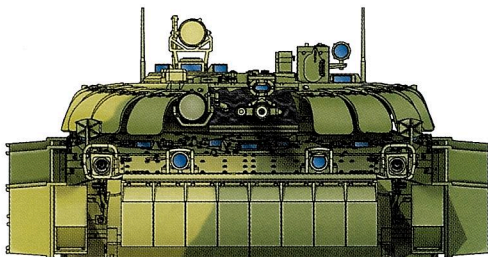
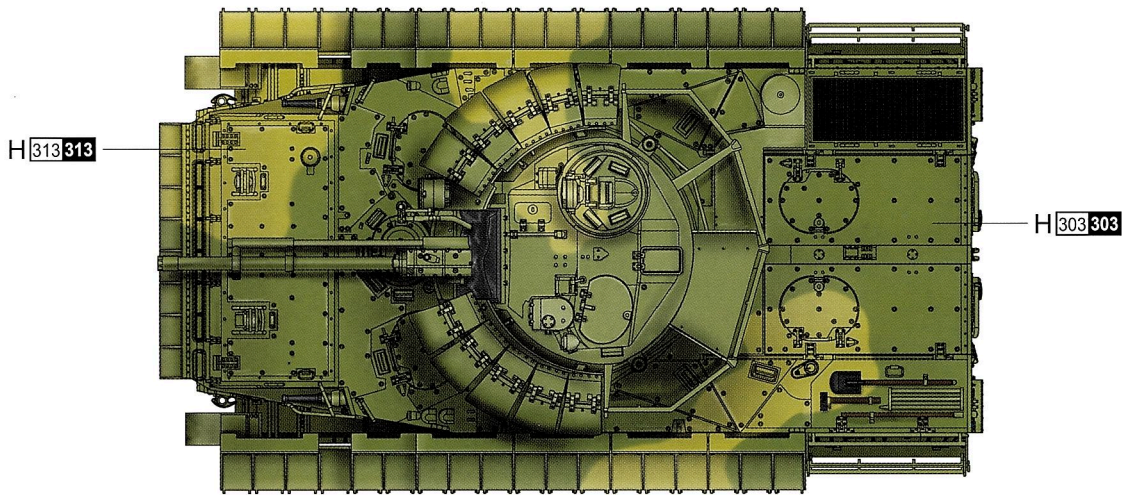
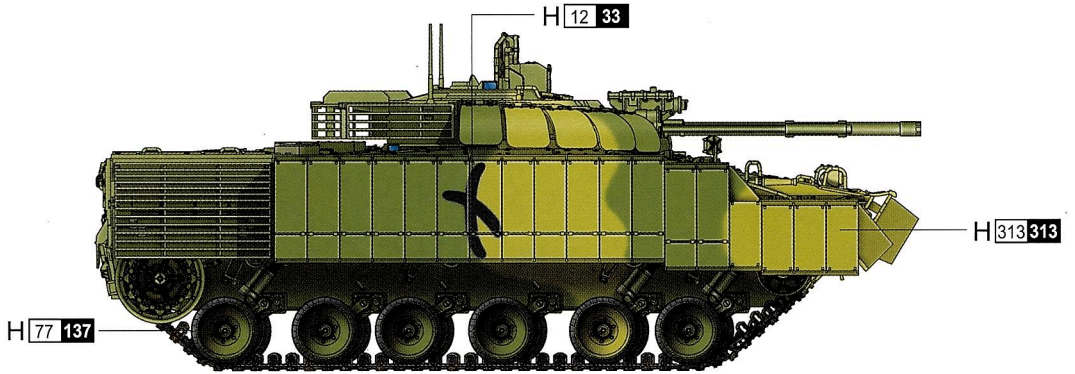
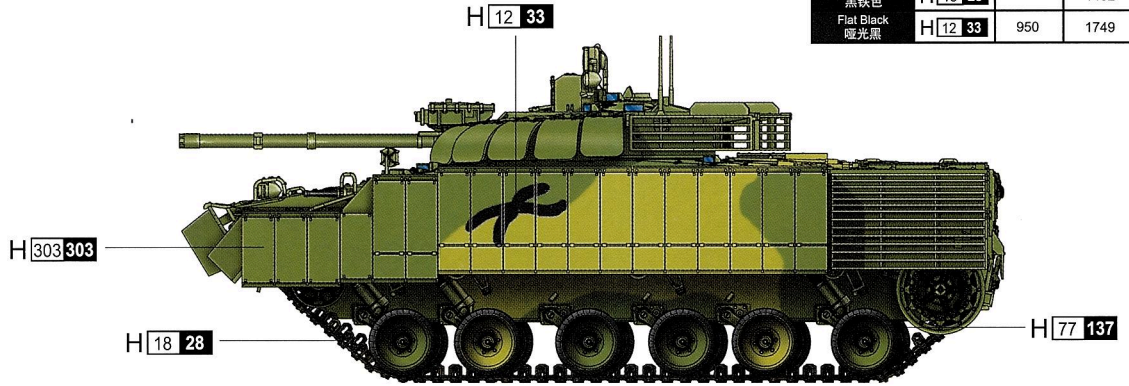


# 涂装同标贴指示 Painting & Marking guide

## PAINT REFERENCE COLOUR

Color	Mr.Hobby	Vallejo	Model Master	Tamiya
Light Green 绿色	H 303 303	—	1713	XF20
Yellow 黄色	H 313 313	819	1706	—
Tire Black 胎黑色	H 77 137	—	—	—
Metal Black 黑铁色	H 18 28	864	1402	—
Flat Black 哑光黑	H 12 33	950	1749	XF1

**B**



# 涂装同标贴指示

## Painting & Marking guide

### PAINT REFERENCE COLOUR

Color	Mr.Hobby	Vallejo	Model Master	Tamiya
Light Green 绿色	H 303 303	—	1713	XF20
Tire Black 胎黑色	H 77 137	—	—	—
Metal Black 黑铁色	H 18 28	864	1402	—

**A**

