

ÉCOLE DES CHARS DE COMBAT



NOTICE D'INSTRUCTION

sur le

CANON S.A. "HOTCHKISS"

DE 25 m/m

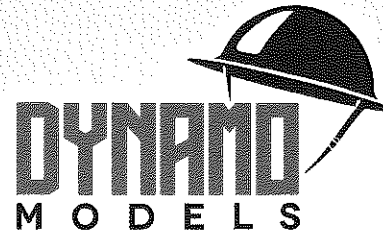
Description Building guide Markings

DYNAMO Models



Echellé 1/35

1937



French Anti-Tank Gun 25mm S.A 34 Type II

Origine et Conception: Le canon SA 34 a été conçu par la société française Hotchkiss à la fin des années 1920 et a été mis en service en 1934. Il a été conçu comme une arme antichar pour fournir à l'armée française une défense contre les chars ennemis.

Caractéristiques techniques: Le canon SA 34 avait un calibre de 25 mm et utilisait des projectiles perforants pour pénétrer les blindages des chars ennemis. Il avait une portée effective d'environ 1 000 mètres et une cadence de tir d'environ 15 coups par minute. Le canon était généralement monté sur un affût à deux roues pour permettre une mobilité accrue sur le champ de bataille.

Utilisation: Pendant la Seconde Guerre mondiale, environ 4500 canons SA 34 étaient en service dans l'armée française lors de la campagne de France de 1940.

Quelque 200 canons furent donnés aux Britanniques en échange de fusils antichars Boys.

Bien que le canon SA 34 était capable de percer n'importe quel blindage Allemand jusqu'à 800 mètres, il s'est avéré relativement inefficace contre les chars allemands plus modernes, tels que le Panzer III et le Panzer IV, dont le blindage était trop épais pour être pénétré efficacement par le canon SA 34 à des distances de combat normales.

Après la défaite Française en 1940, de nombreux canons SA 34 sont tombés aux mains des forces Allemandes, qui les ont utilisés dans certaines garnisons ainsi que pour les défenses côtières sous la désignation de 2.5 cm PaK 112(f).

Origin and development: The SA 34 cannon was designed by the French company Hotchkiss in the late 1920s and entered service in 1934. It was designed as an anti-tank weapon to provide the French army with a defense against enemy tanks.

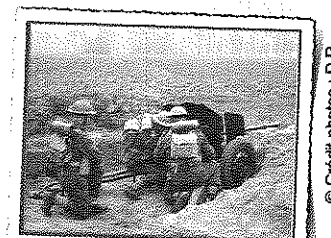
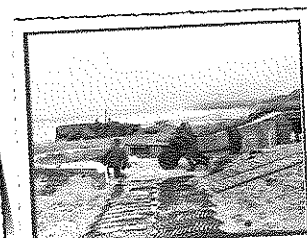
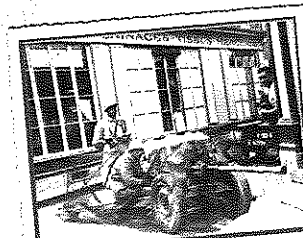
Features: The SA 34 gun had a calibre of 25 mm and used armour-piercing projectiles to penetrate enemy tanks. It had an effective range of around 1,000 meters and a rate of fire of around 15 rounds per minute. The gun was usually mounted on a two-wheeled carriage for greater mobility on the battlefield.

In service: During the Second World War, around 4,500 SA 34 guns were in service of the French army during the campaign of France in 1940.

About 200 guns were given to the British in exchange for Boys anti-tank rifles.

Although the SA 34 gun was capable of piercing any German armor up to 800 meters, it proved relatively ineffective against more modern German tanks, such as the Panzer III and Panzer IV, whose armor was too thick to be penetrated effectively by the SA 34 gun at normal combat distances.

After the fall of France in 1940, many SA 34 guns fell into the hands of German forces, who used them in certain garrisons and for coastal defenses under the 2.5 cm PaK 112(f) designation.



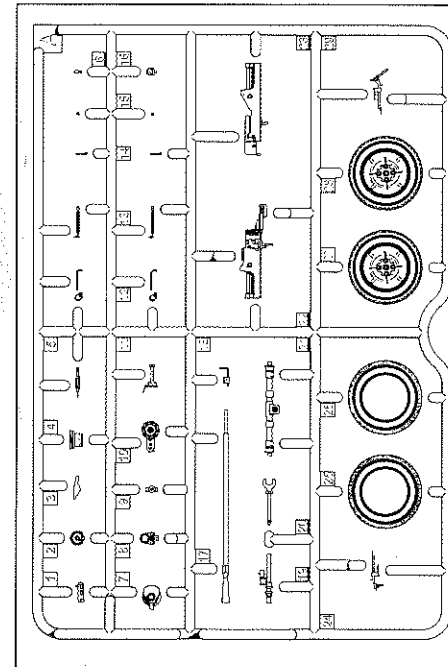


France 40 Museum - 51170 Fismes (FR)
 Tank Museum - 49400 Saumur (FR)
 © Crédit photos : Emilien Pépin - Sylvain Bollier
 Visit our website to discover more pictures

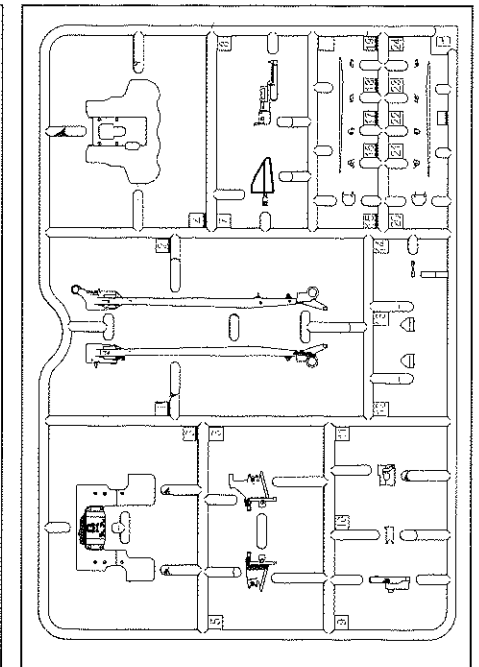
CAUTION

- When you use glue or paint, do not use near open flame, and use in a well-ventilated room
- When you take parts off the runner frame, use modeling scissors and trim excess plastic with a cutter or a file
- See below for the meaning of symbols.

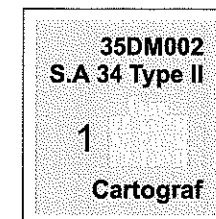
- Make 2pcs
- Apply Decal
- Do not cement
- Optional
- Cement together



Runner A



Runner B



Decal sheet

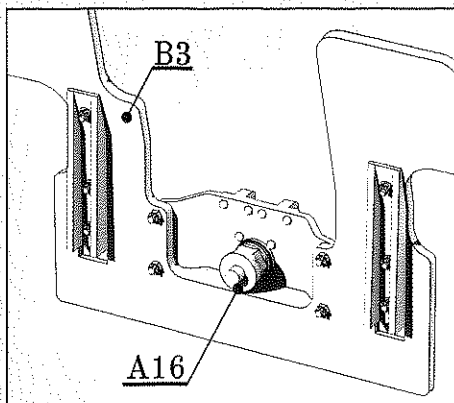


Fig. 1

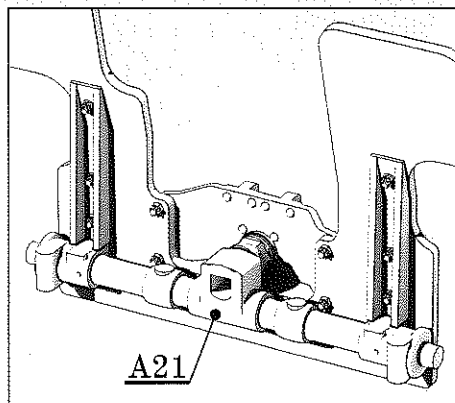


Fig. 2

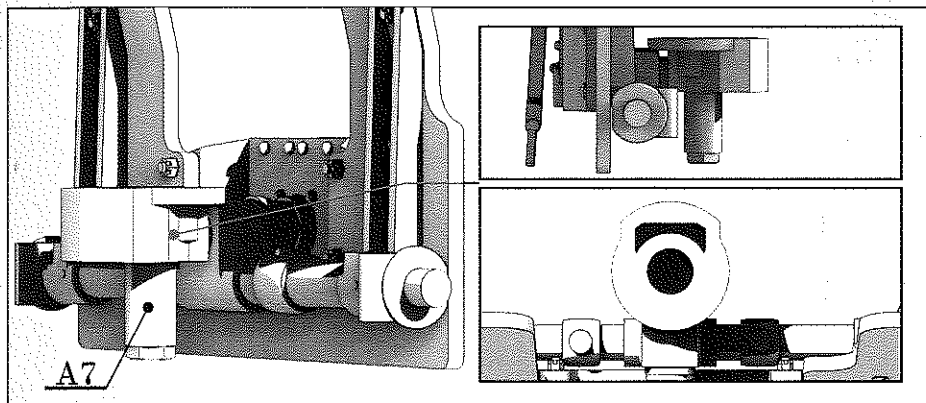


Fig. 3

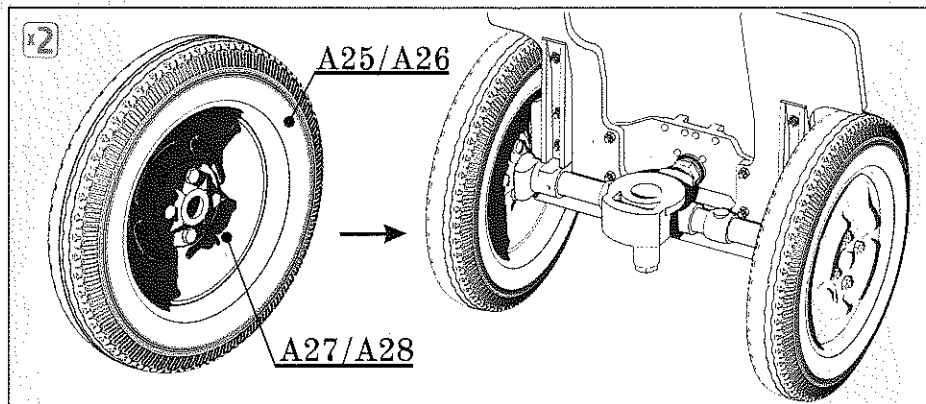


Fig. 4

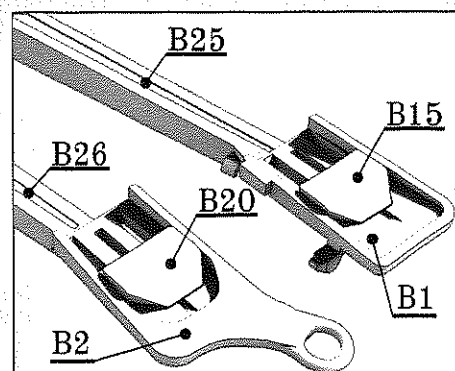


Fig. 5 Towing configuration

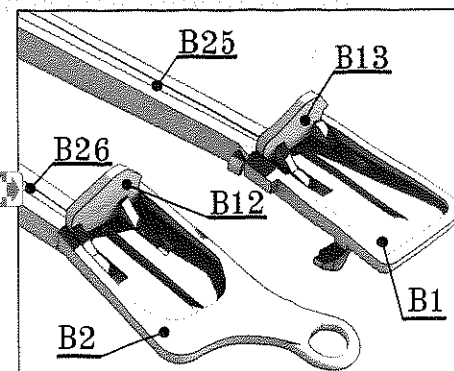


Fig. 6 Combat configuration

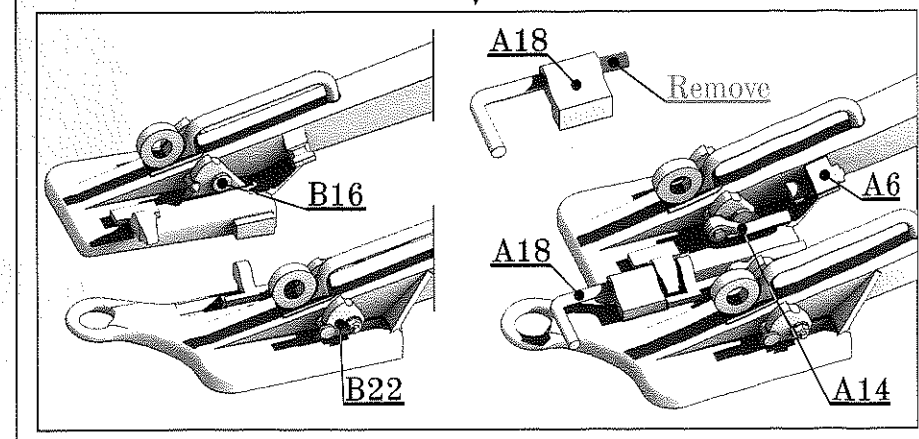
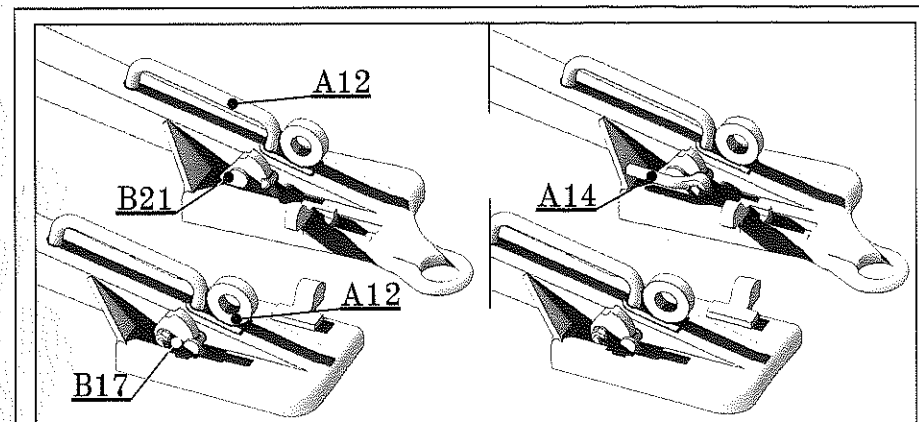


Fig. 7 Towing configuration

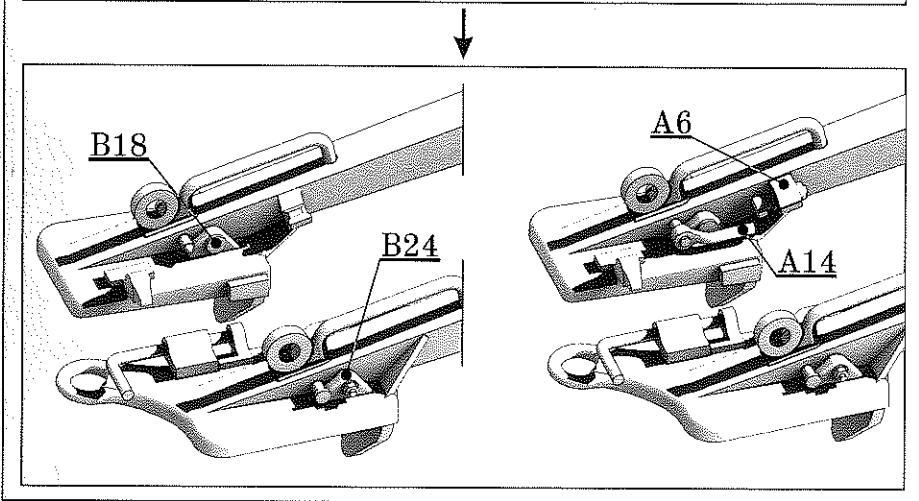
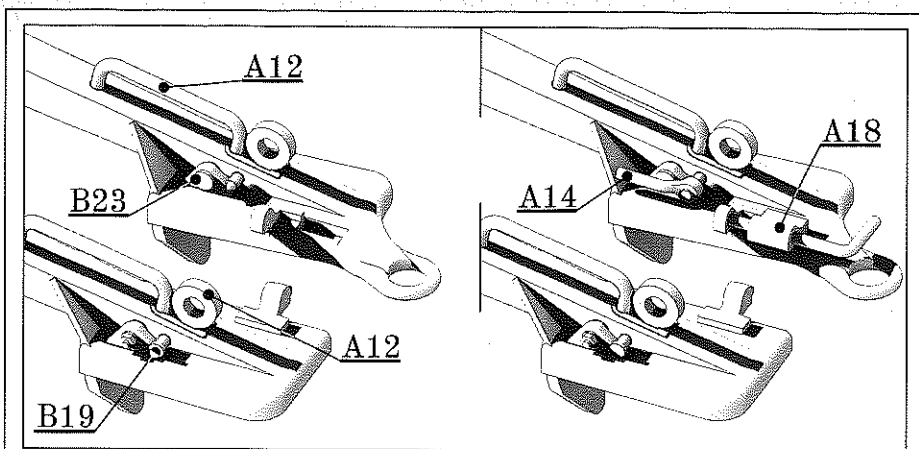


Fig. 8 Combat configuration

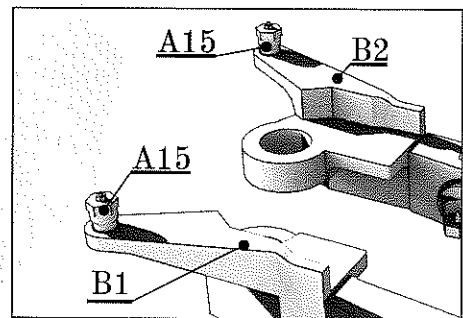


Fig. 9

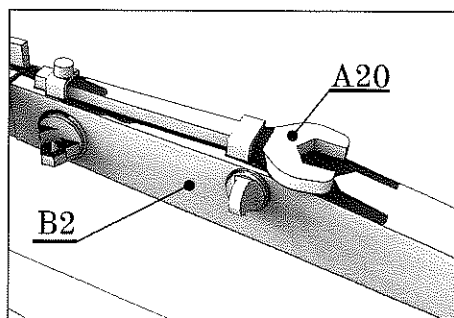


Fig. 10

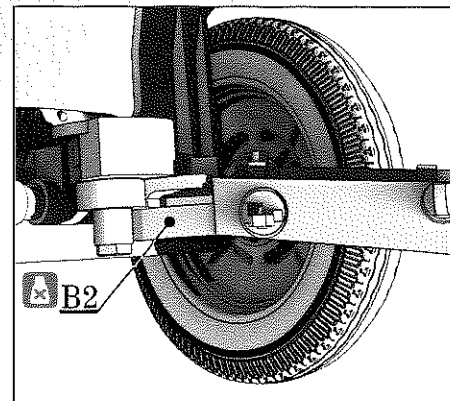


Fig. 11

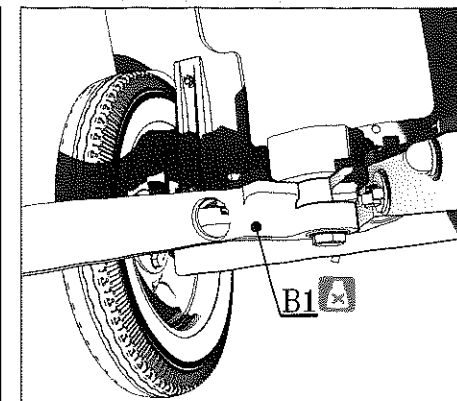


Fig. 12

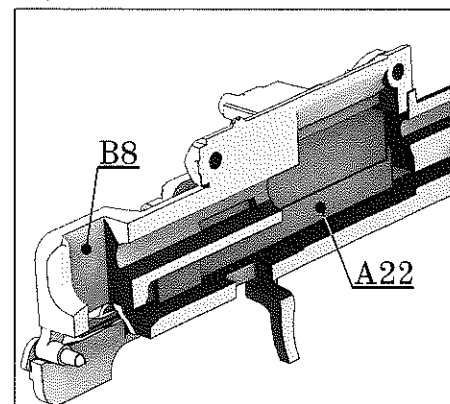


Fig. 13

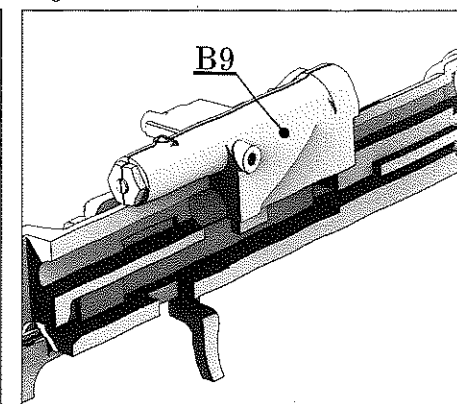


Fig. 14

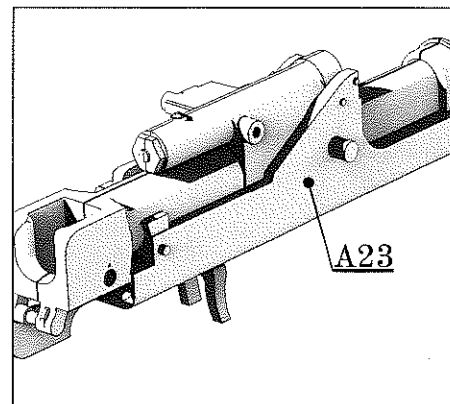


Fig. 15

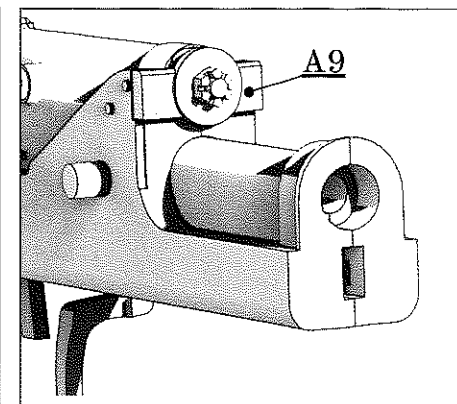


Fig. 16

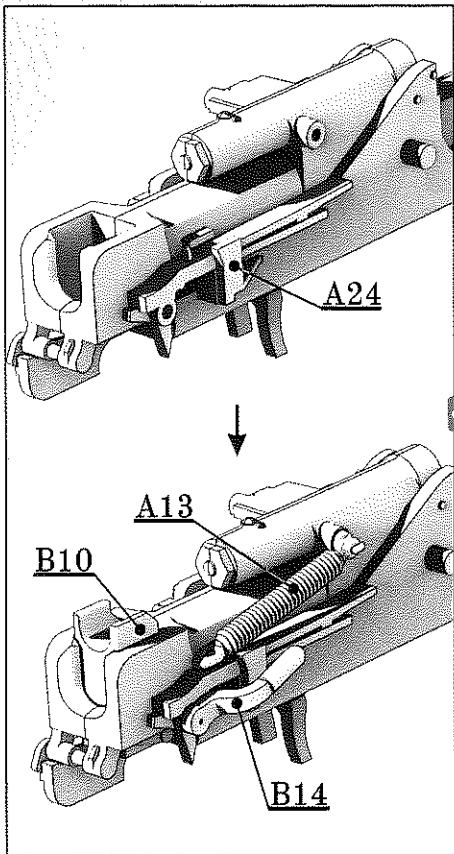


Fig.17 Breech CLOSED position

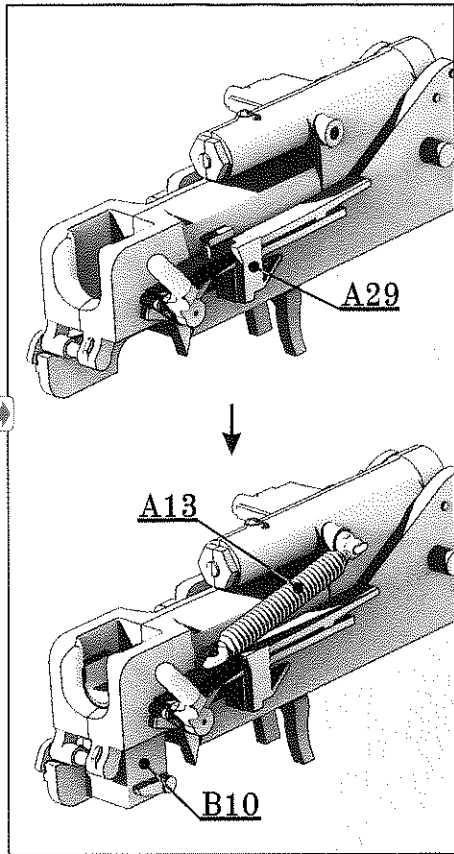


Fig.18 Breech OPEN position

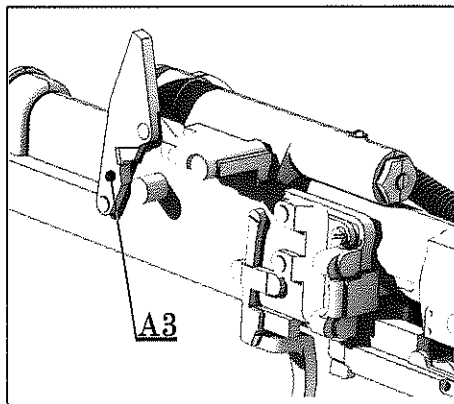


Fig.19

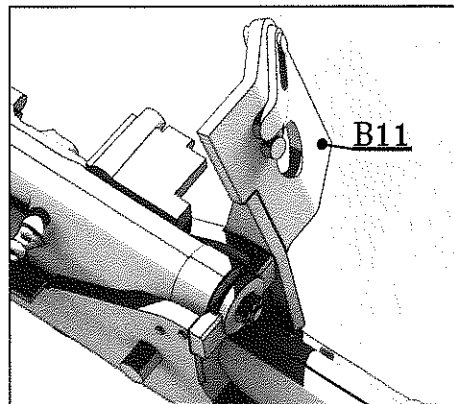


Fig.20

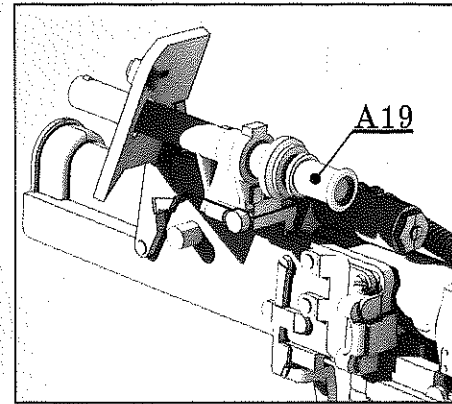


Fig.21

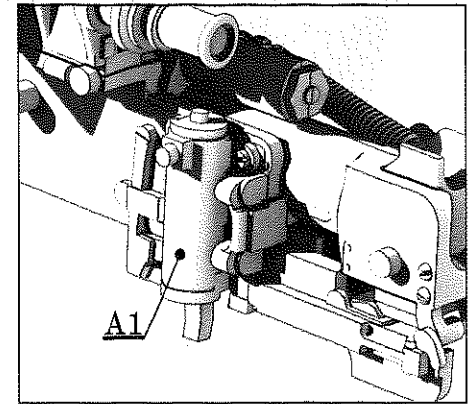


Fig.22

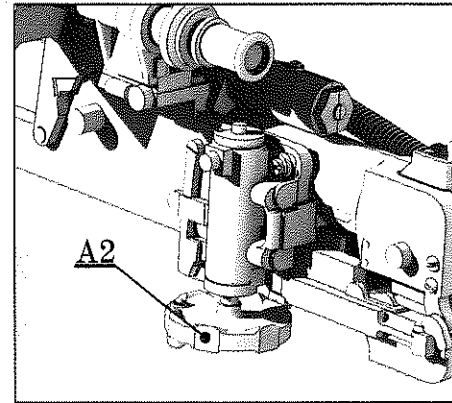


Fig.23

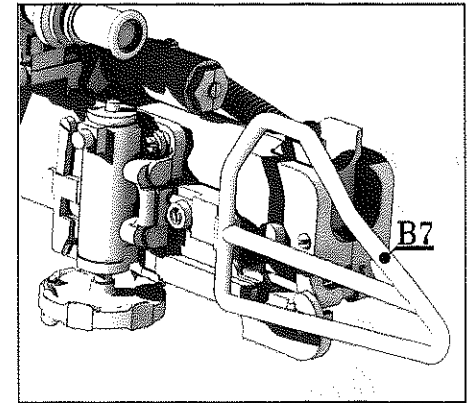


Fig.24

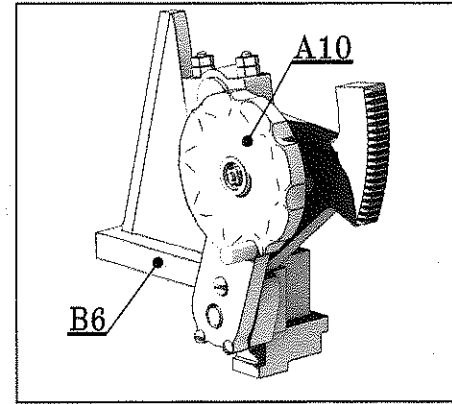


Fig.25

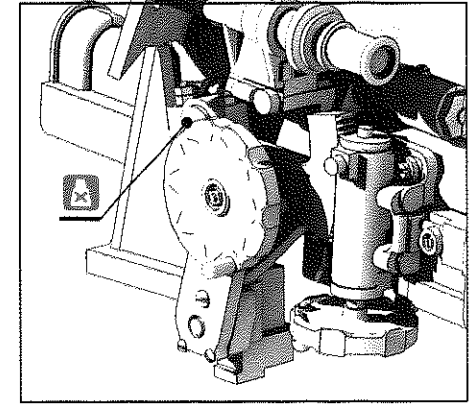


Fig.26

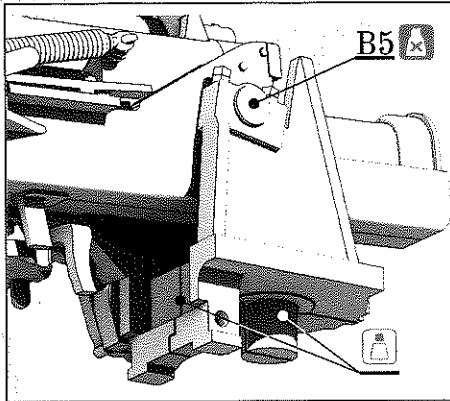


Fig. 27

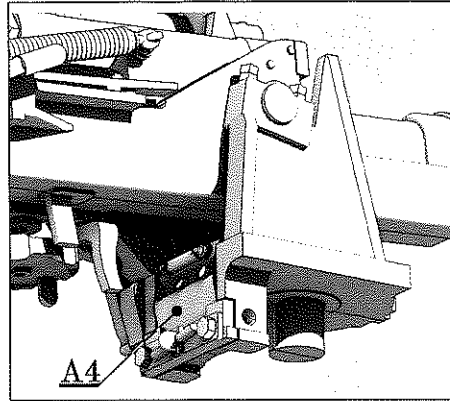


Fig. 28

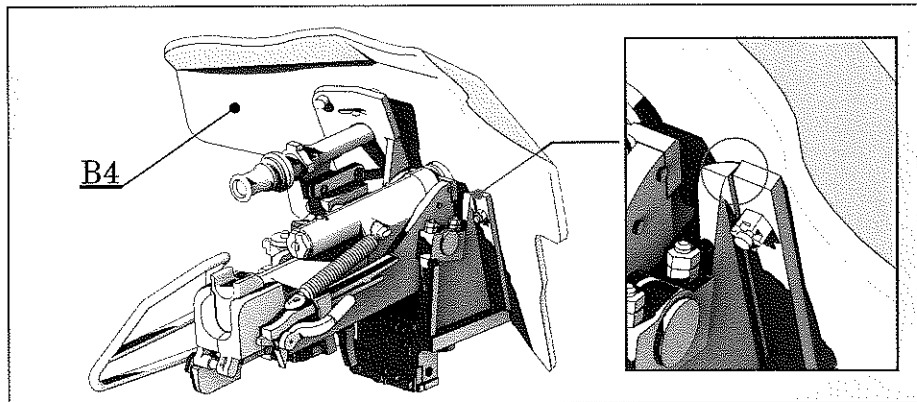


Fig. 29

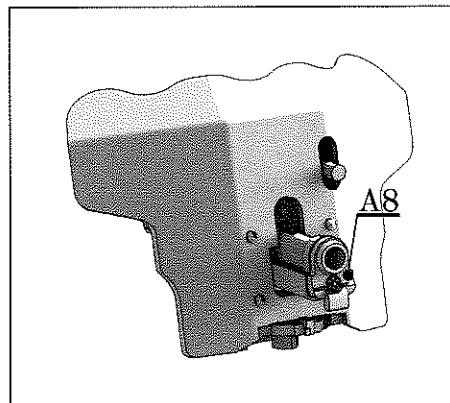


Fig. 30

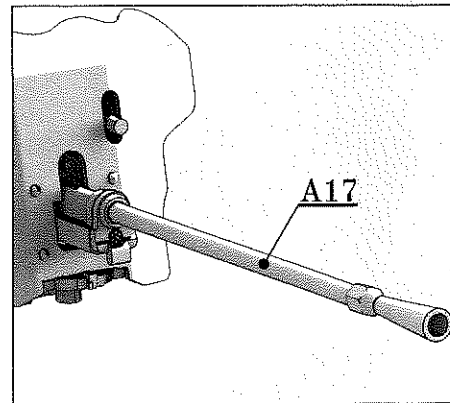


Fig. 31

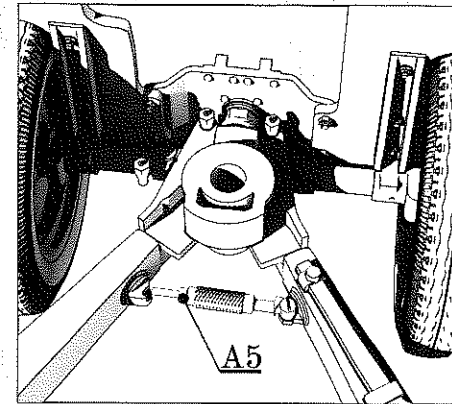


Fig. 32 Combat configuration

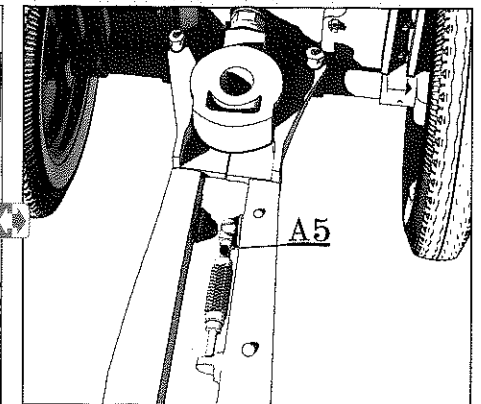


Fig. 33 Towing configuration

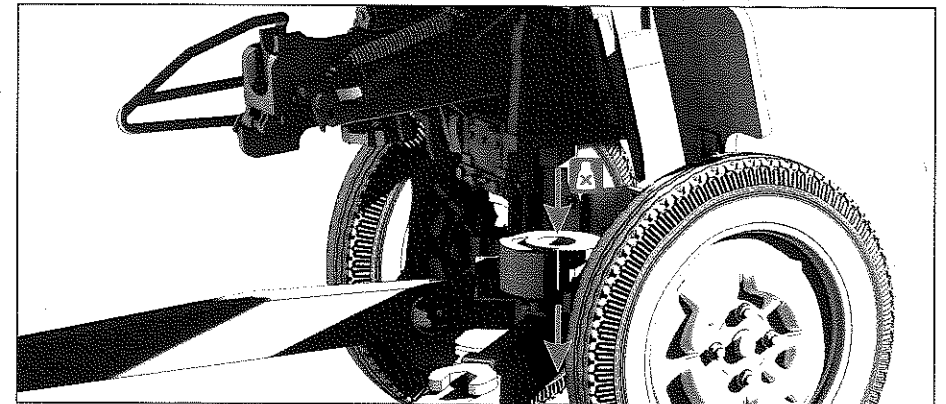


Fig. 34

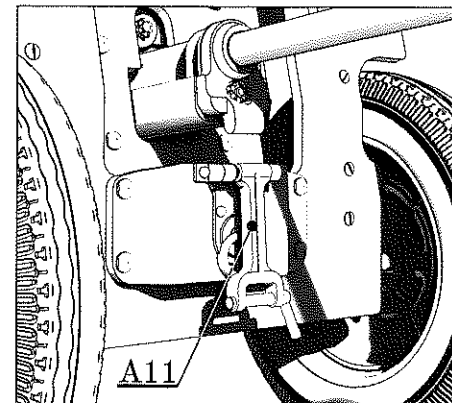


Fig. 35 Combat configuration

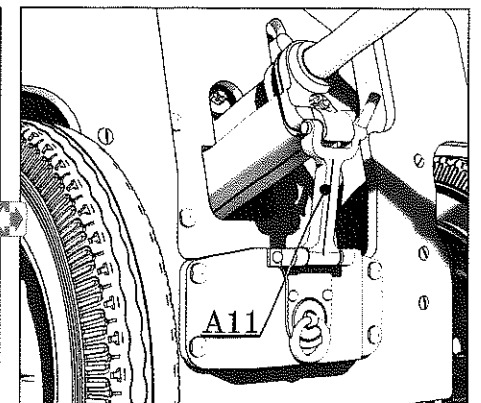
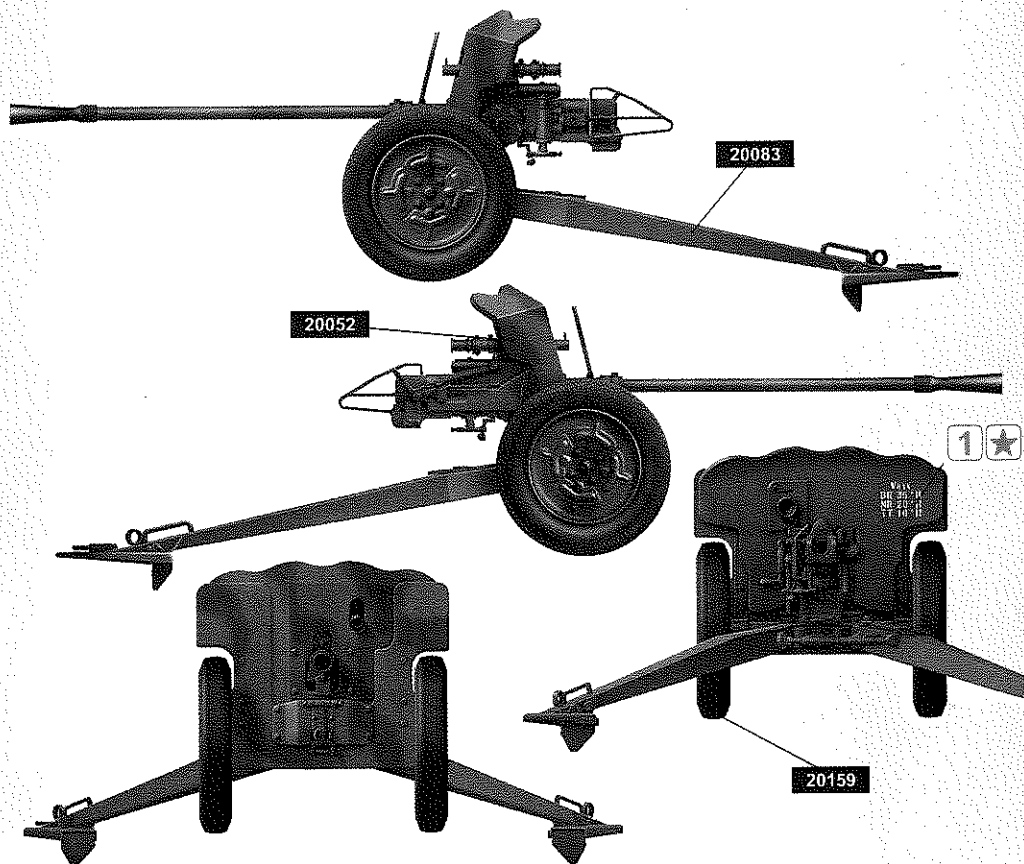


Fig. 36 Towing configuration

Painting and Marking Guide

DYN : 35002

Hotchkiss gun, two-tone camo



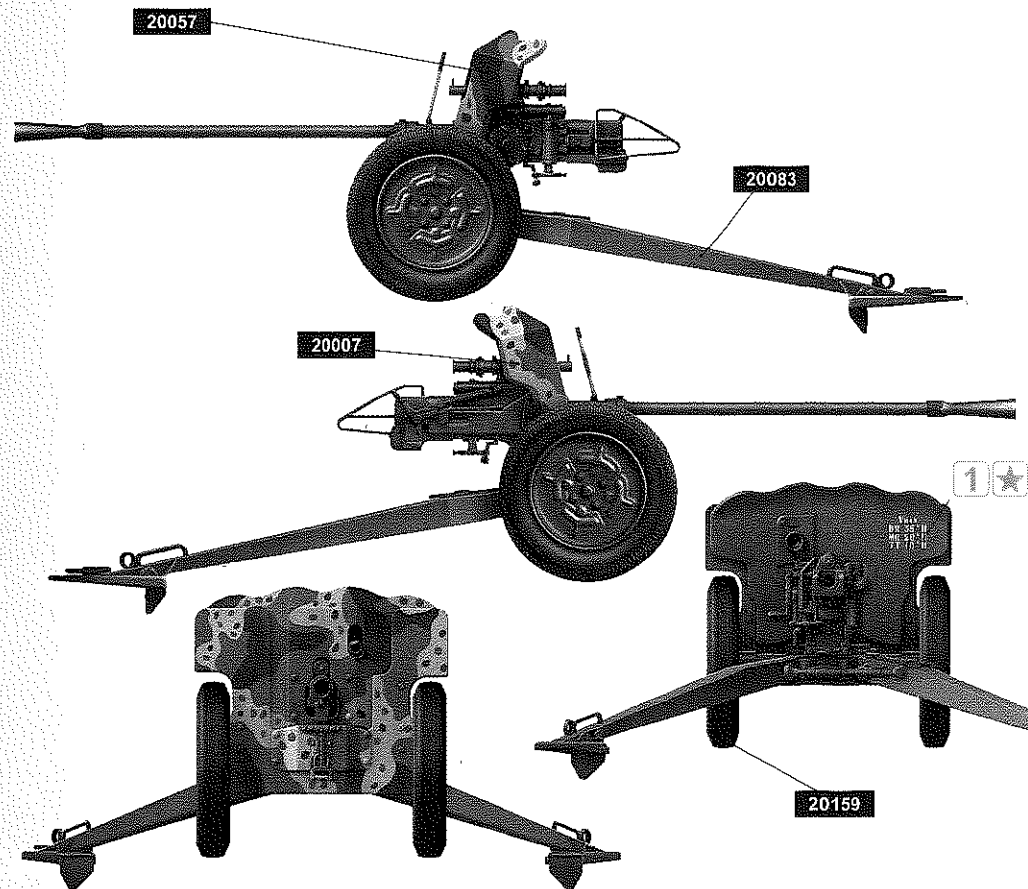
WEATHERING STEPS WITH AMMO PRODUCTS

1. GENERAL WASH AMIG-1006 Dark Brown Wash for Green Vehicles	4. DRYBRUSH HIGHLIGHTS AMIG-0809 Drybrush Medium Olive Green	7. BARKING AMIG-1268 Streaking Brusher Dust	10. DIRT AMIG-3004 Europe Earth Pigment	13. FRESH AMIG-1763 Turned Dirt
2. MARKING AMIG-1610 Tan for 3 Tone Camo	5. SPARKLING AMIG-1803 Streaking Grime	8. OILBRUSHING AMIG-3806 Oilbrusher Field Green	11. MUD AMIG-1704 Heavy Earth	14. OIL AMIG-1408 Fresh Engine Oil

Painting and Marking Guide

DYN : 35002

Hotchkiss gun, three-tone camo



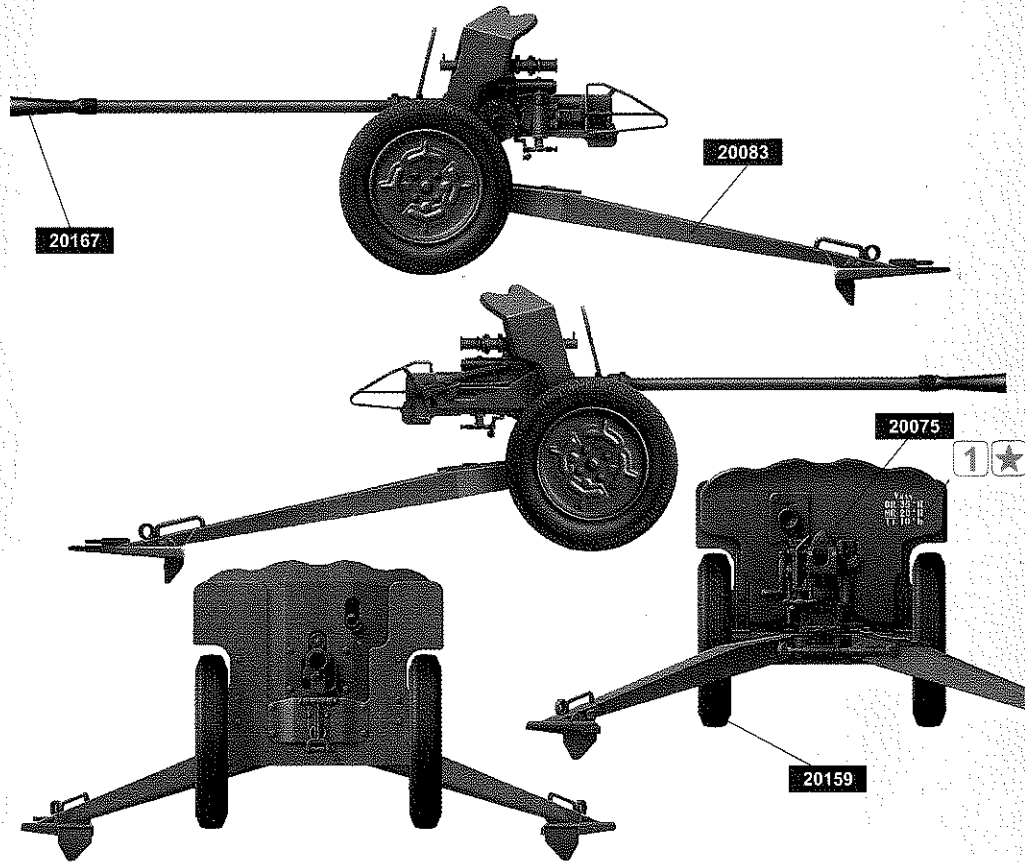
WEATHERING STEPS WITH AMMO PRODUCTS

1. GENERAL WASH AMIG-1006 Dark Brown Wash for Green Vehicles	4. DRYBRUSH HIGHLIGHTS AMIG-0809 Drybrush Medium Olive Green	7. BARKING AMIG-1268 Streaking Brusher Dust	10. DIRT AMIG-3004 Europe Earth Pigment	13. FRESH AMIG-1763 Turned Dirt
2. MARKING AMIG-1610 Tan for 3 Tone Camo	5. SPARKLING AMIG-1803 Streaking Grime	8. OILBRUSHING AMIG-3806 Oilbrusher Field Green	11. MUD AMIG-1704 Heavy Earth	14. OIL AMIG-1408 Fresh Engine Oil

Painting and Marking Guide

DYN : 35002

Hotchkiss gun, green version



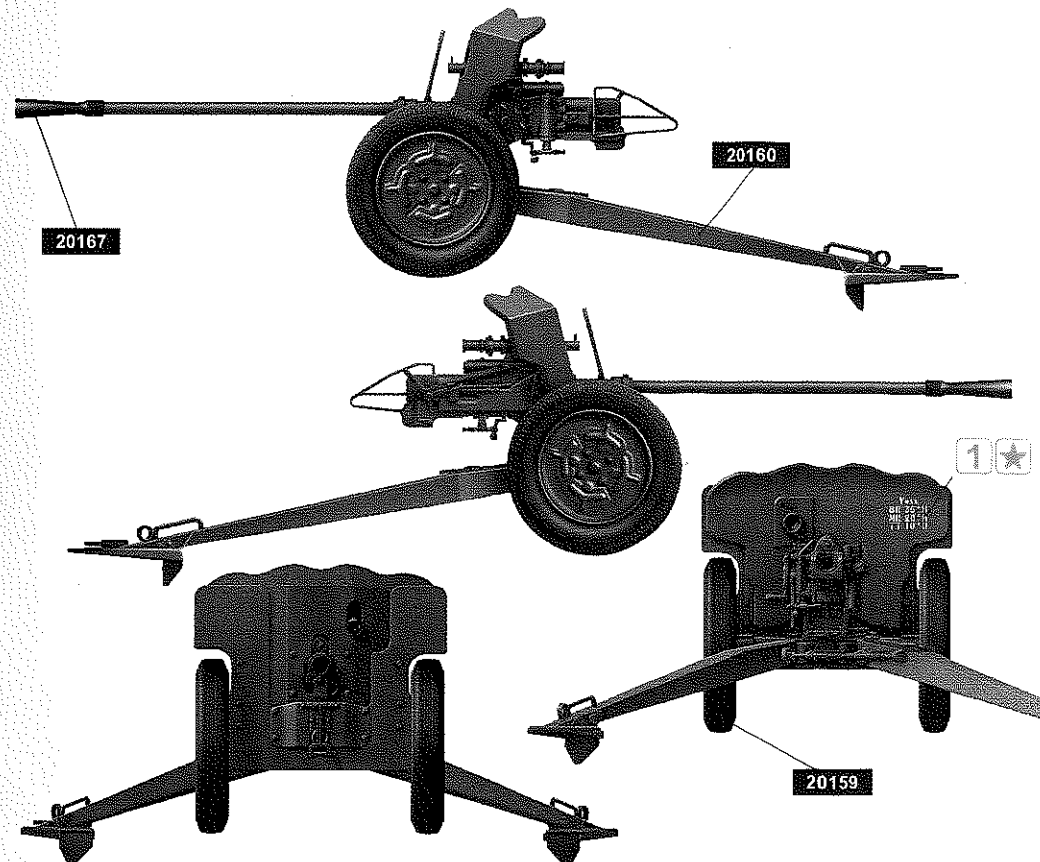
WEATHERING STEPS WITH AMMO PRODUCTS

1 GENERAL WASH AMIG-1006 Dark Brown Wash for Green Vehicles	4 SHAPES HIGHLIGHT AMIG-0609 Drybrush Medium Olive Green	7 FLANK MARKS AMIG-1288streakingbrusher Dust	10 DIRT AMIG-3004 Europe Earth Pigment	13 RUST AMIG-1753 Turned Dirt
2 SHIMMER AMIG-1510 Tan for 3 Tone Camo	5 WEARABLES AMIG-1203streaking Grime	8 OILBRUSHING AMIG-3506 Oilbrusher Field Green	11 MARK AMIG-1704 Heavy Earth	14 OIL AMIG-1408 Fresh Engine Oil

Painting and Marking Guide

DYN : 35002

2,5 cm Pak 112(f), german grey



WEATHERING STEPS WITH AMMO PRODUCTS

1 GENERAL WASH AMIG-1006 Dark Brown Wash for Green Vehicles	4 SHAPES HIGHLIGHT AMIG-0609 Drybrush Medium Olive Green	7 FLANK MARKS AMIG-1288streakingbrusher Dust	10 DIRT AMIG-3004 Europe Earth Pigment	13 RUST AMIG-1753 Turned Dirt
2 SHIMMER AMIG-1510 Tan for 3 Tone Camo	5 WEARABLES AMIG-1203streaking Grime	8 OILBRUSHING AMIG-3506 Oilbrusher Field Green	11 MARK AMIG-1704 Heavy Earth	14 OIL AMIG-1408 Fresh Engine Oil

Special thanks to:

- Edgar Liepinsh (project manager)
- Emilien Pepin (test build)
- JC Windels (Graphics)
- Ammo Mig (color chart)
- France 40 museum
- Saumur Tank museum
- Antonis Karydis (boxart)