

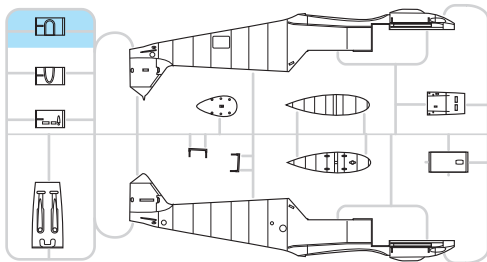
3403
1:32

Bf 109E-4

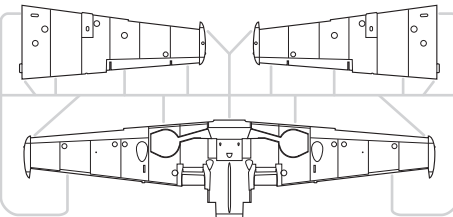
eduard
WEEKEND
EDITION

PLASTIC PARTS

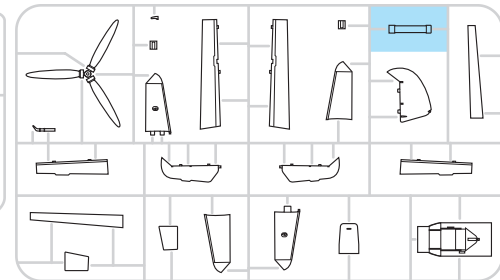
A>



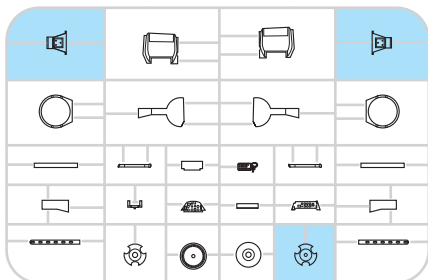
B>



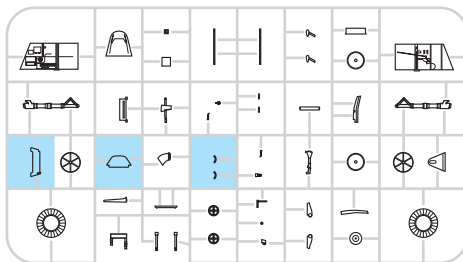
D>



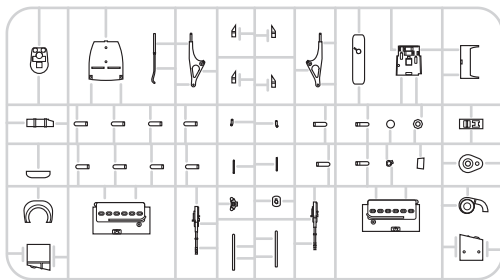
E>



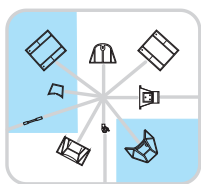
F>



G>



I>



 -Parts not for use. -Teile werden nicht verwendet. -Pièces à ne pas utiliser. -Tyto díly nepoužívejte při stavbě.

| Mr.COLOR | |
|----------|-------------------|
| C3 | RED |
| C4 | YELLOW |
| C17 | RLM70 BLACK GREEN |
| C18 | RLM71 DARK GREEN |
| C33 | FLAT BLACK |
| C41 | RED BROWN |

| Mr.COLOR | |
|----------|------------------|
| C60 | RLM02 GRAY |
| C62 | FLAT WHITE |
| C113 | RLM04 YELLOW |
| C115 | RLM65 LIGHT BLUE |
| C116 | RLM66 BLACK GRAY |
| C137 | TIRE BLACK |

| HOBBY COLOR | |
|-------------|------|
| H344 | RUST |

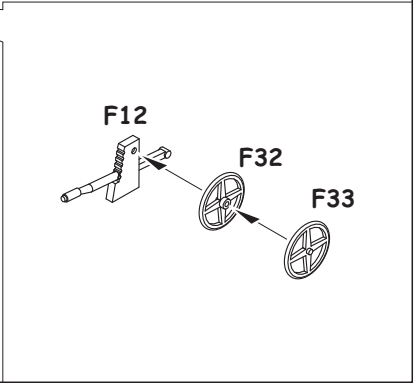
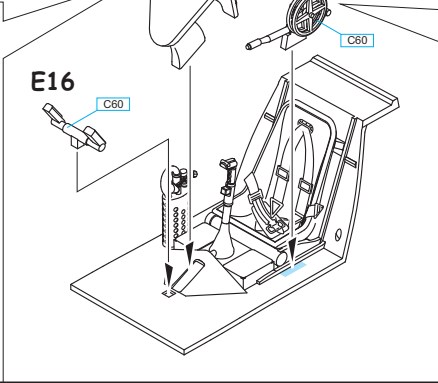
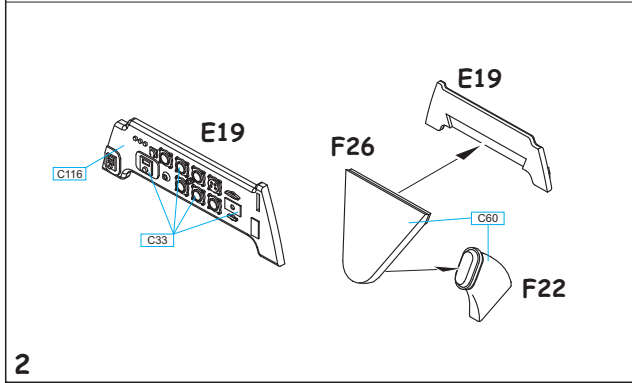
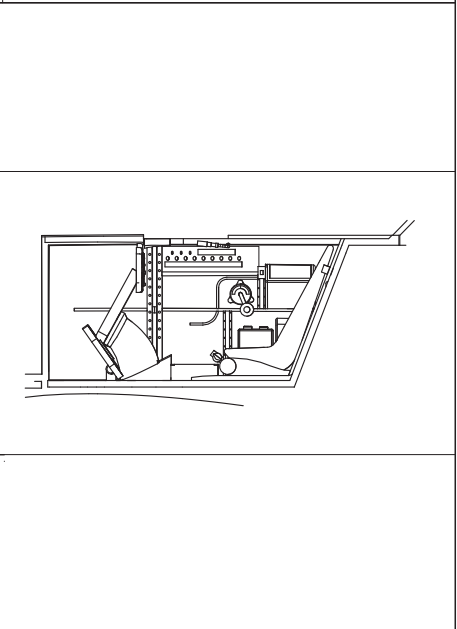
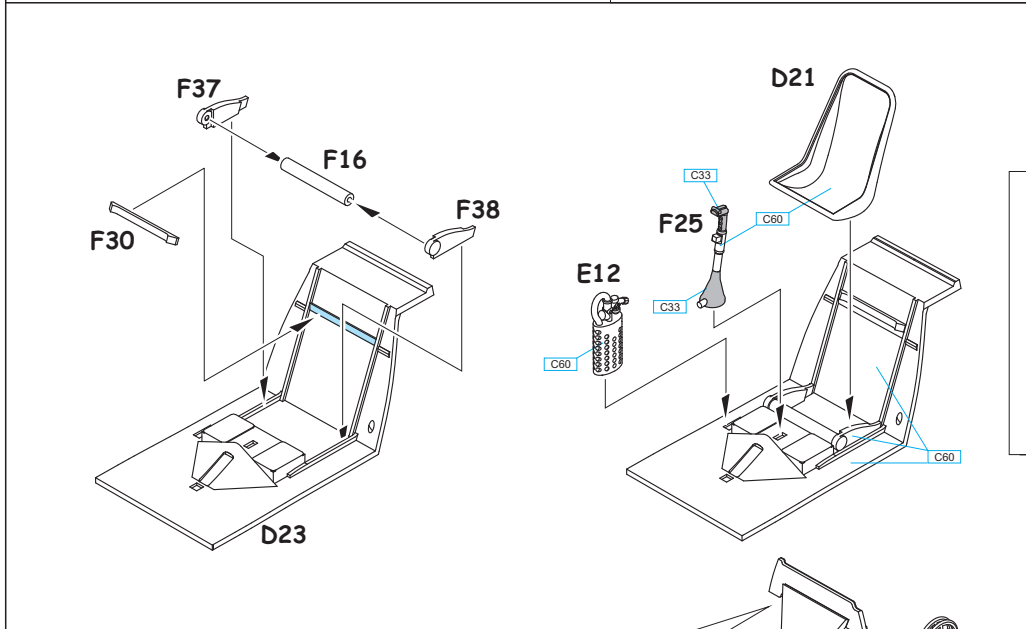
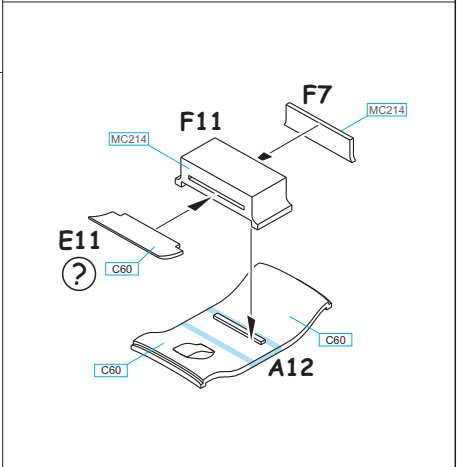
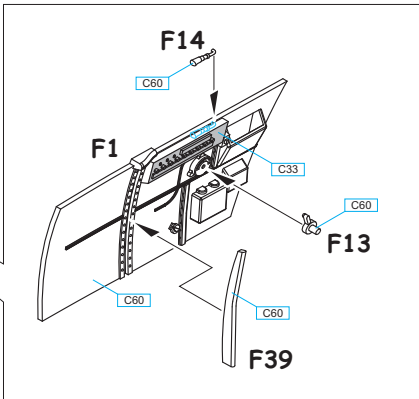
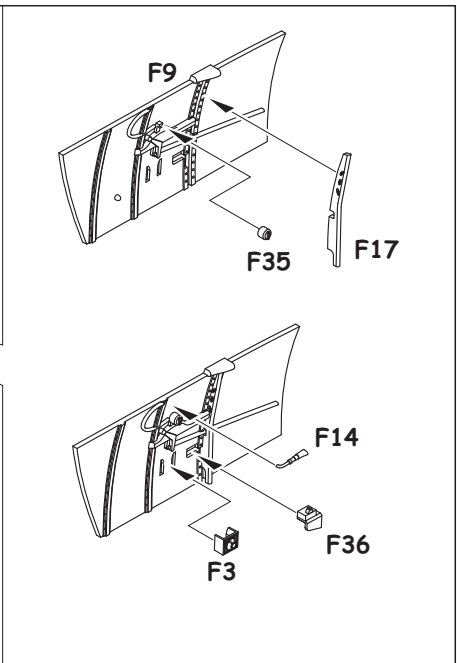
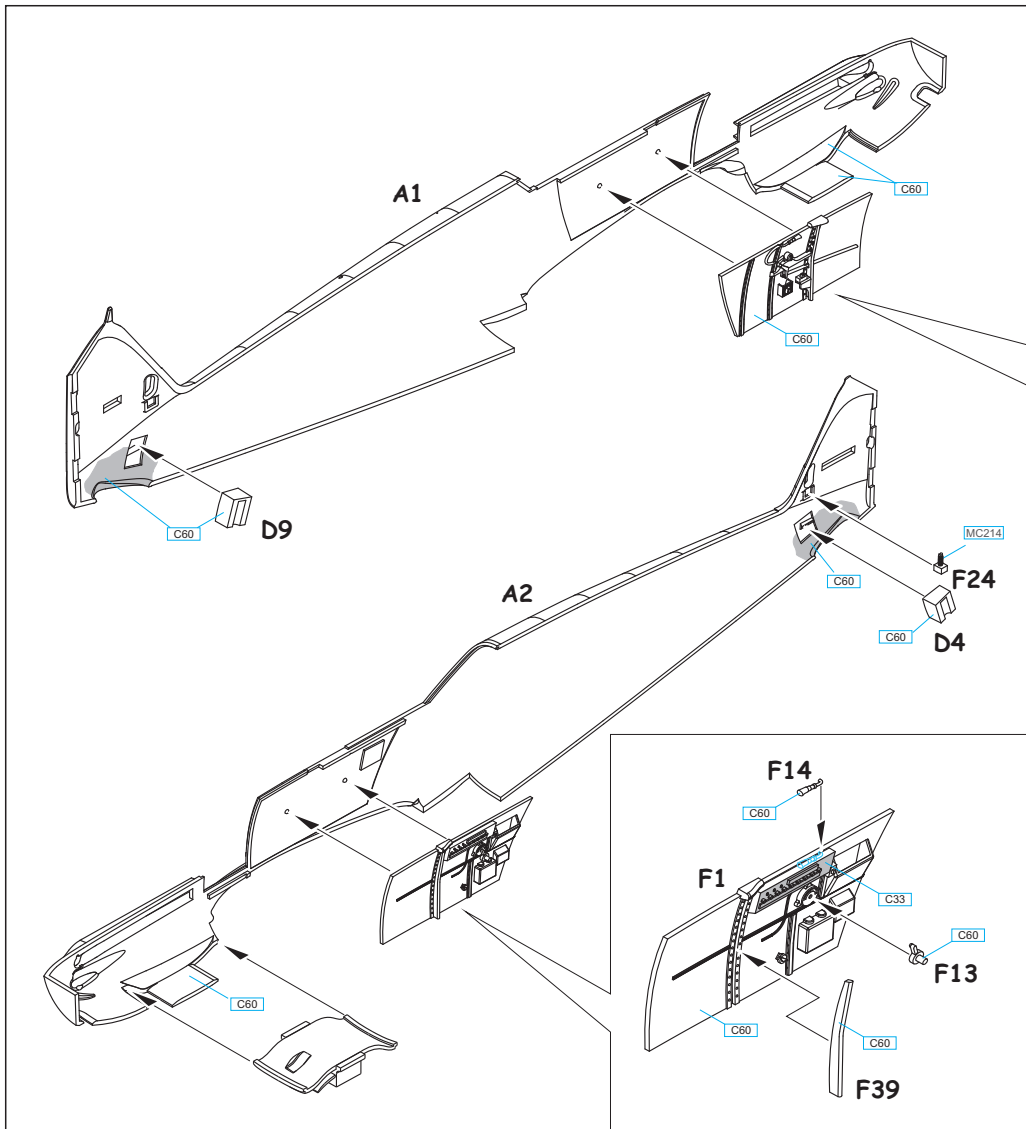
| Mr. METAL COLOR | |
|-----------------|-----------|
| MC214 | DARK IRON |
| MC218 | ALUMINIUM |

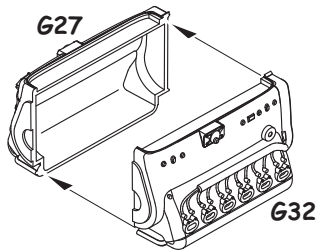
ATTENTION * UPOZORNĚNÍ * ACHTUNG * ATTENTION

- (GB)** Carefully read instruction sheet before assembling. When you use glue or paint, do not use near open flame and use in well ventilated room. Keep out of reach of small children. Children must not be allowed to suck any part, or pull vinyl bag over the head.
- (CZ)** Před započatím stavby si pečlivě prostudujte stavební návod. Při používání barev a lepidel pracujte v dobře větrané místnosti. Lepidla ani barvy nepoužívejte v blízkosti otevřeného ohně. Model není určen malým dětem, mohlo by dojít k požití drobných dílů.
- (D)** Von dem Zusammensetzen die Bauanleitung gut durchlesen. Kleber und Farbe nicht nahe von offenem Feuer verwenden und das Fenster von Zeit zu Zeit Belüftung öffnen. Bausatz von kleinen Kindern fernhalten. Verhüten Sie, daß Kinder irgendwelche Bauteile in den Mund nehmen oder Plastiktüten über den Kopf ziehen.
- (F)** lire soigneusement la fiche d'instructions avant d'assembler. Ne pas utiliser de colle ou de peinture à proximité d'une flamme nue, et aérer la pièce de temps en temps. Garder hors de portée des enfants en bas âge. Ne pas laisser les enfants mettre en bouche ou sucer les pièces, ou passer un sachet vinyl sur la tête.

INSTRUCTION SIGNS * INSTR. SYMBOLY * INSTRUKTION SINNBILDEN * SYMBOLES

- (?)** OPTIONAL
FACULTATIF
NACH BELIEBEN
VOLBA
- (↯)** BEND
PLIER SIL VOUS PLAIT
BITTE BIEGEN
OHNOUT
- (⊘)** OPEN HOLE
FAIRE UN TROU
OFFNEN
VYVRTAT OTVOR
- (↔)** SYMMETRICAL ASSEMBLY
MONTAGE SYMÉTRIQUE
SYMMETRISCHE AUFBAU
SYMETRICKÁ MONTÁŽ
- (⊥)** NOTCH
L INCISION
DER EINSCHNITT
ZÁŘEZ
- (⊘)** REMOVE
RETIRER
ENTFERNEN
ODRÍZNOUT





G32

G12 5 pcs.

G15

G24

G17

G8

G29

G30

G1

G22

G34

G26

G18

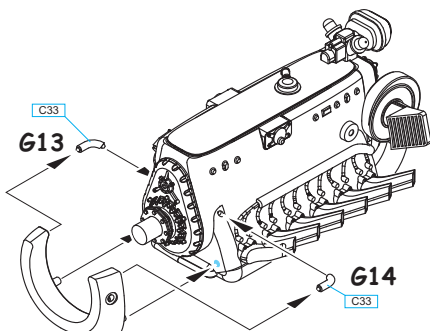
G33

G23

F4

G12 5 pcs.

G15



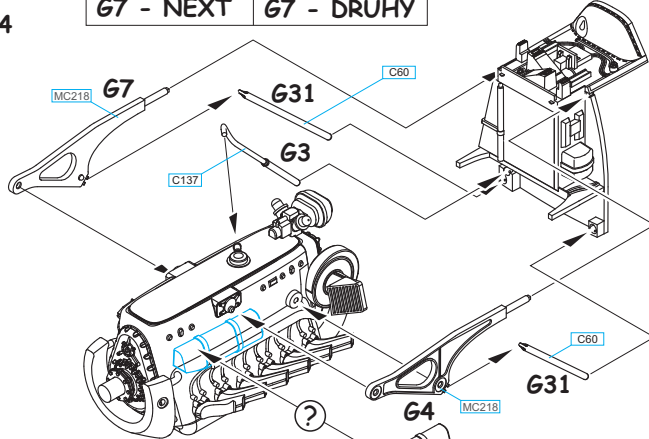
G13

G14

G25

G3 - FIRST
G7 - NEXT

G3 - PRVNÍ
G7 - DRUHÝ



G7

G31

G3

G31

G4

G31

G11

G11 - DB601N ONLY
G11 - PRO MOTOR DB601N

A

G19

G9

G19

D23

F2

E24

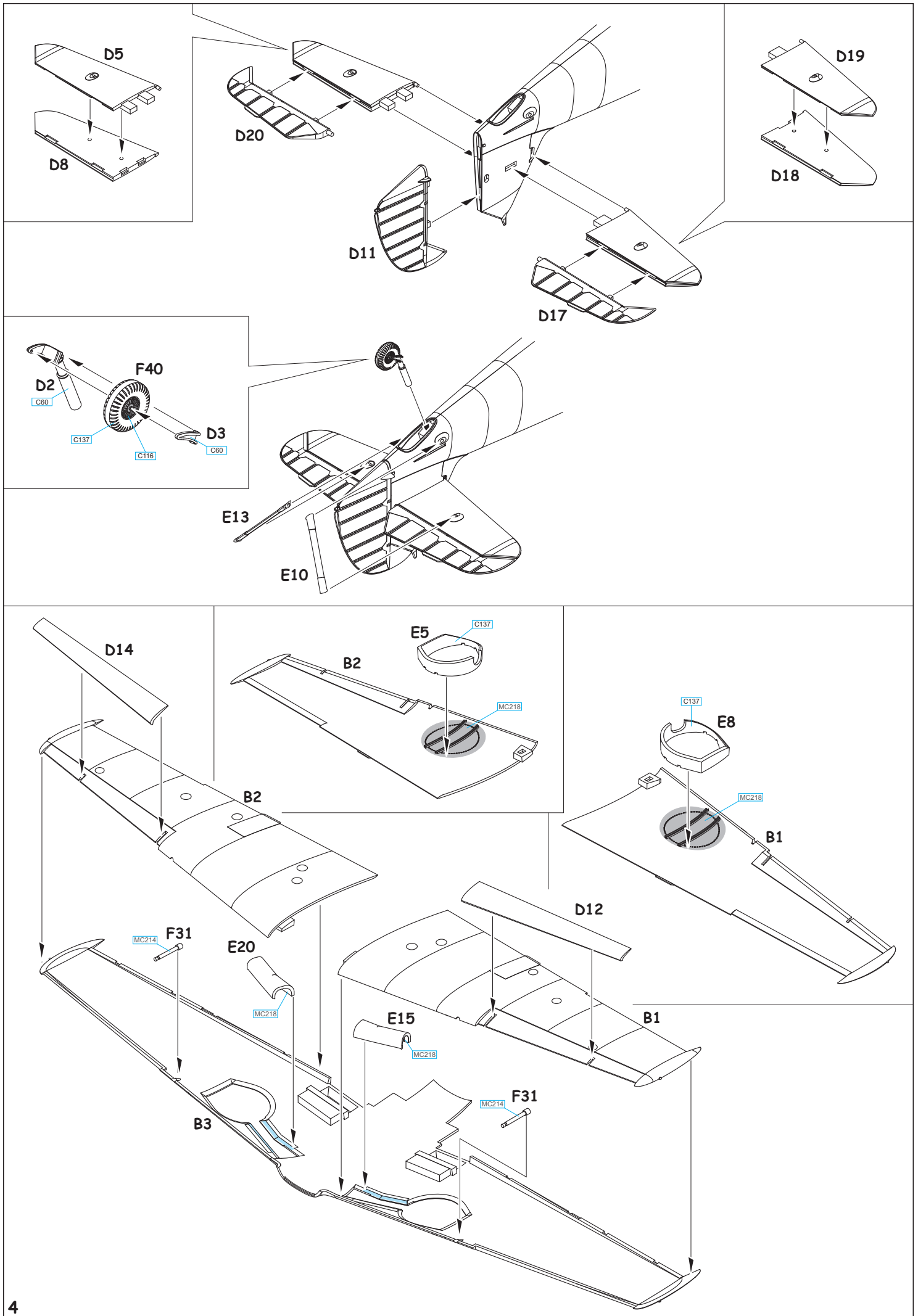
G16

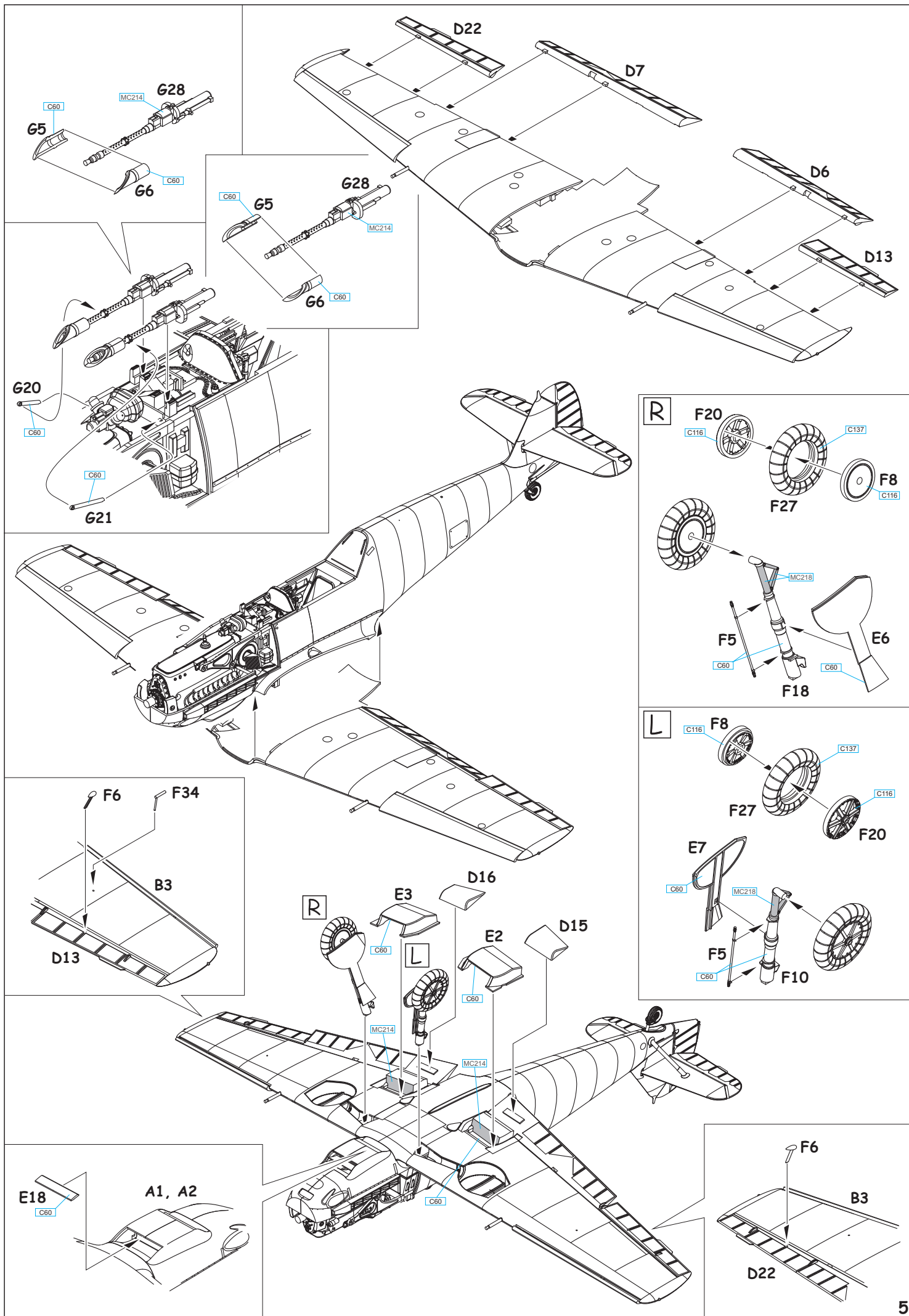
A2

F2

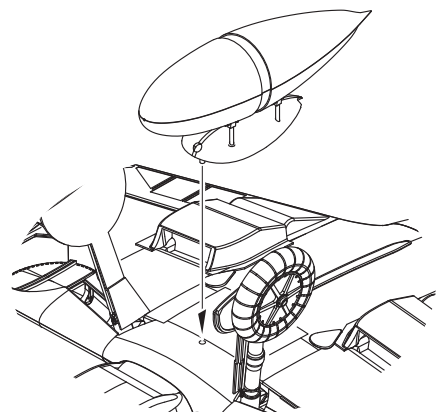
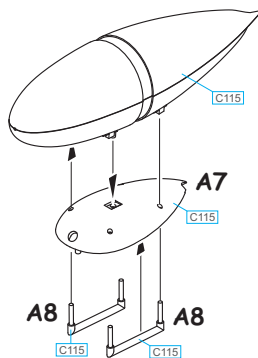
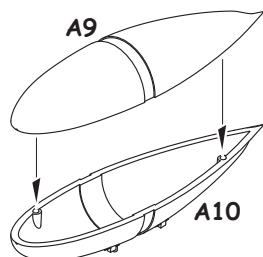
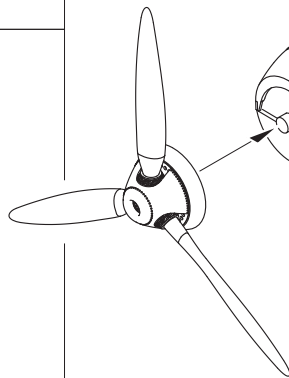
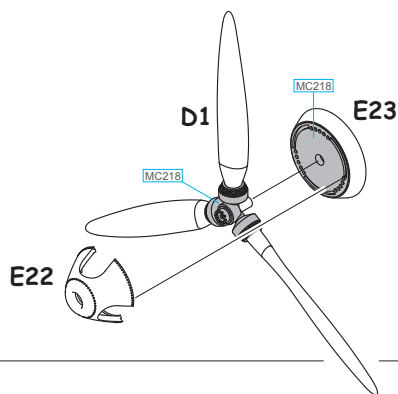
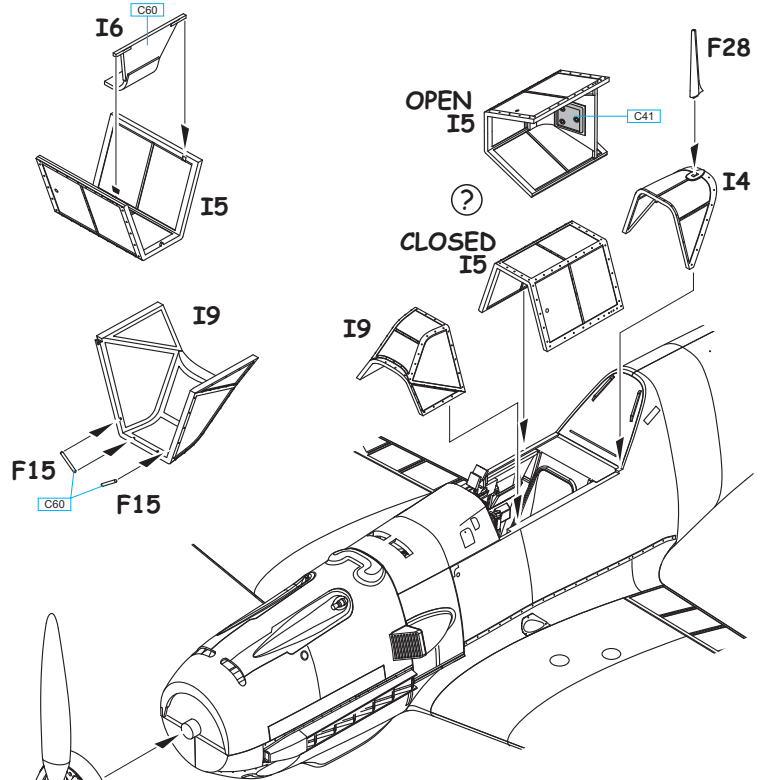
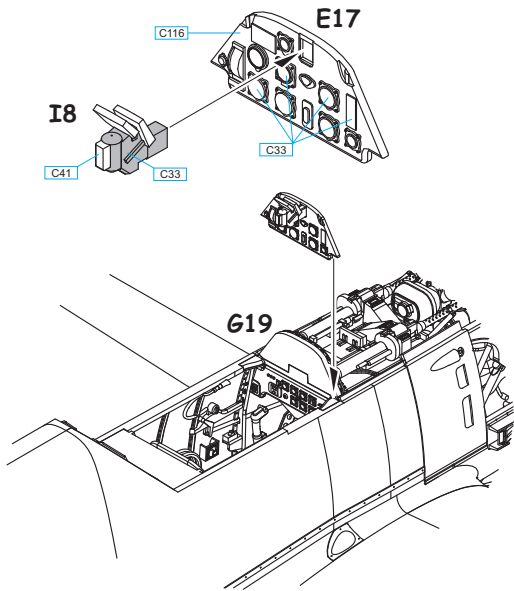
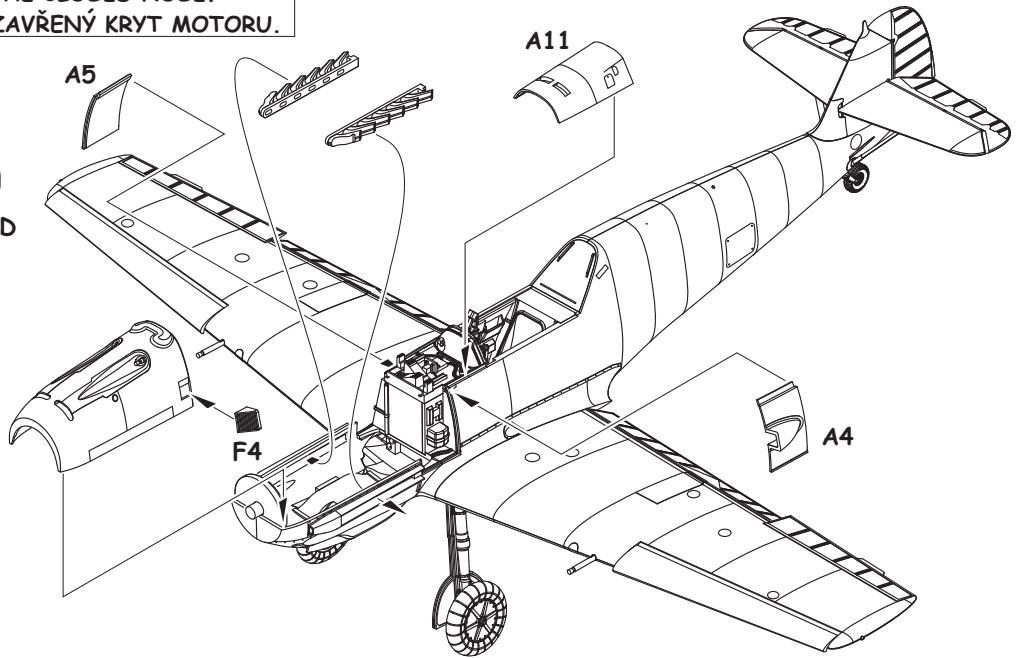
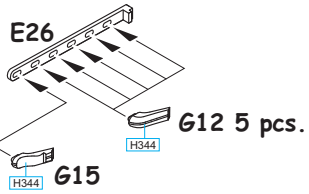
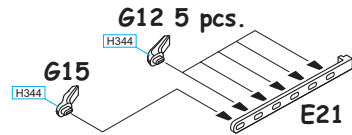
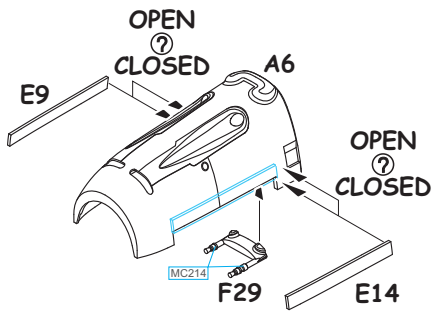
F2

A1

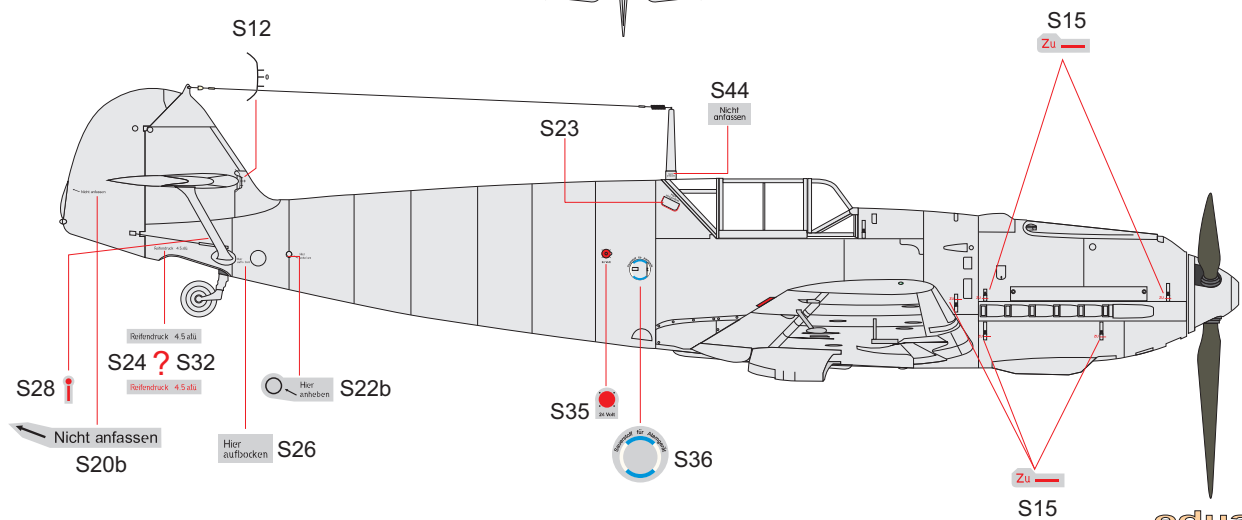
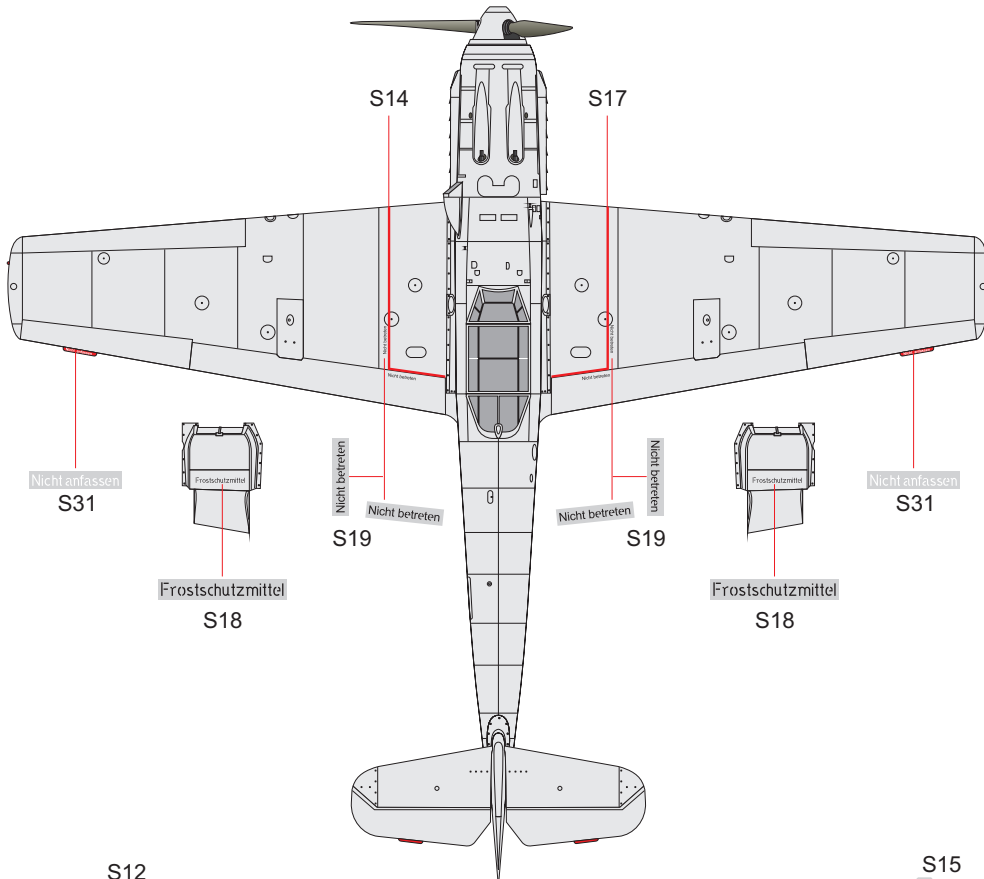
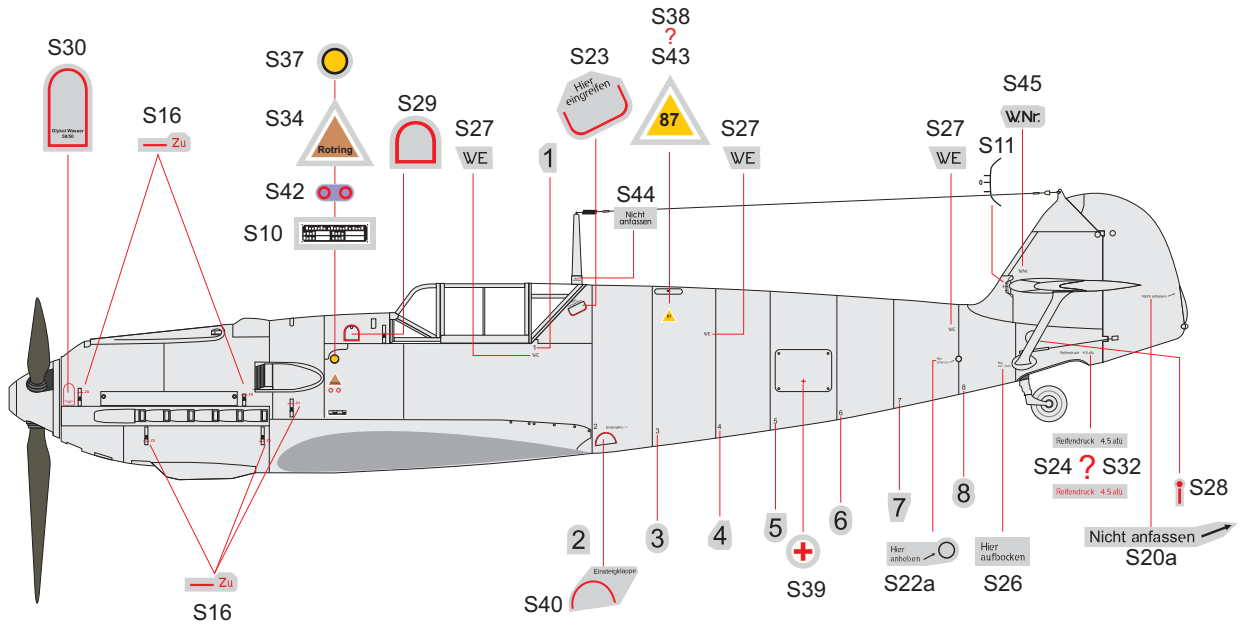




? ALTERNATIVE ASSEMBLY FOR THE CLOSED NOSE.
 ALTERNATIVNÍ SESTAVA PRO ZAVŘENÝ KRYT MOTORU.

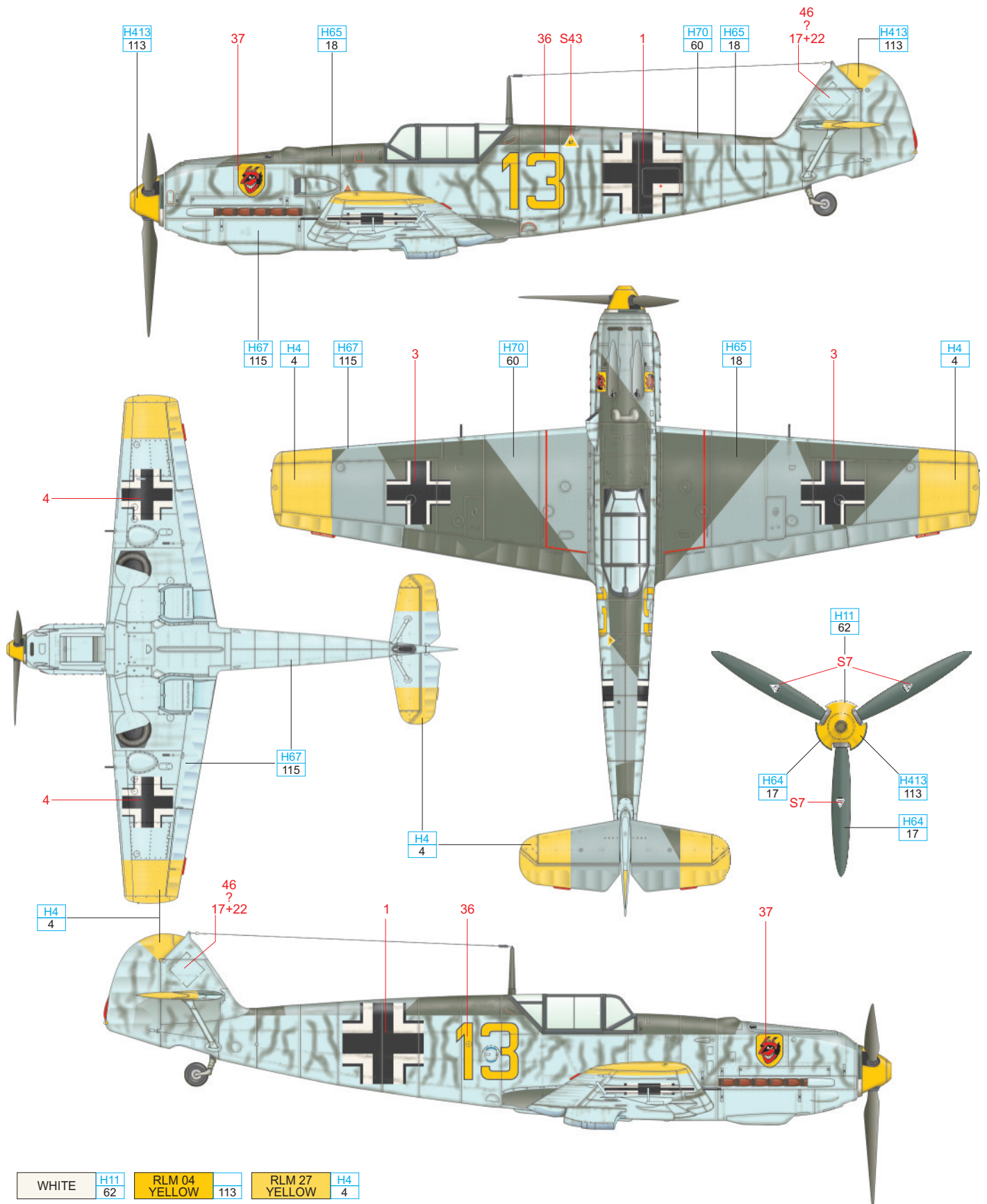


Bf 109E-4 STENCIL VARIANTS



Lt. Josef Eberle, 9./JG 54, The Netherlands – August 1940

Very interesting camouflage schemes were rendered on the aircraft of JG 54 by the unit's ground personnel in the summer of 1940. They applied vertical to diagonal lines of RLM 71 in an attempt to darken the light blue fuselage sides. The standard scheme of 02/71/65 was applied, along with the quick identification attributes. The period scheme was applied to Yellow '13', with which, on August 12, 1940, Lt. Josef Eberle managed to cross the Channel and belly land in France despite personal injury. The wingtips and fin of Eberle's aircraft were painted RLM 27 Yellow, lighter than RLM 04 that the spinner, tactical number and background of the III./JG 54 emblem were painted. The bottom wing color RLM 65 extended marginally to the upper surface. Some sources erroneously identify this aircraft as an E-3. Despite having tempted fate once over the Channel, he was not as successful on October 9, 1940, when he lost his life in combat with RAF fighters.



| | | | | | |
|--------|------------|------------------|-----------|------------------|-----------|
| WHITE | H11 62 | RLM 04 YELLOW | 113 | RLM 27 YELLOW | H4 4 |
| RLM 65 | H67 115 | RLM 02 | H70 60 | RLM 70 | H65 18 |
| | | | | RLM 71 | H64 17 |