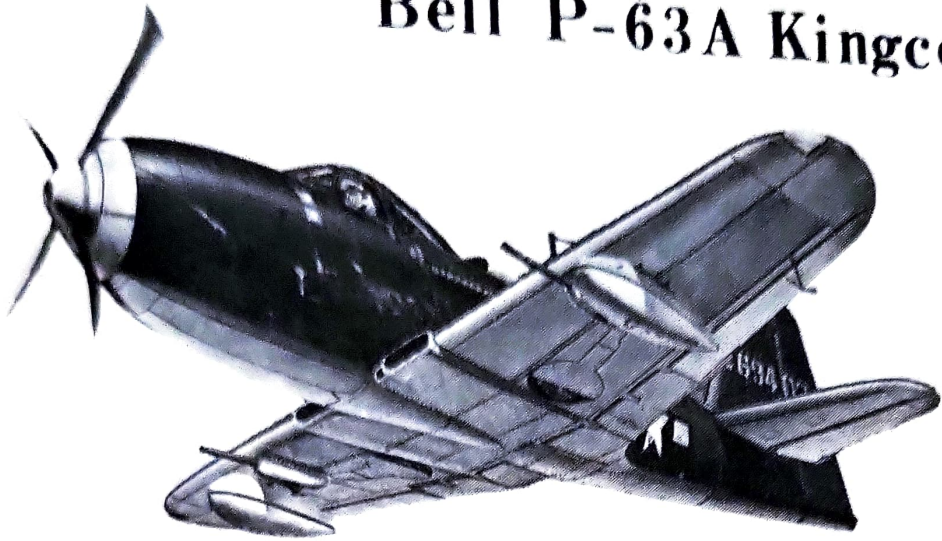


1:72 SCALE ALL PLASTIC COLOR MODEL KIT

KIT NO.310

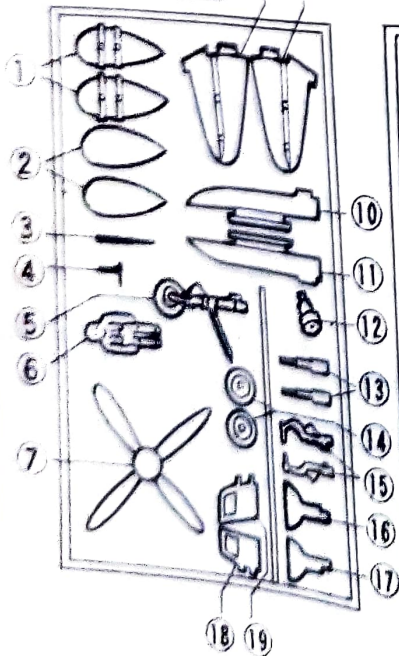
Bell P-63A Kingcobra



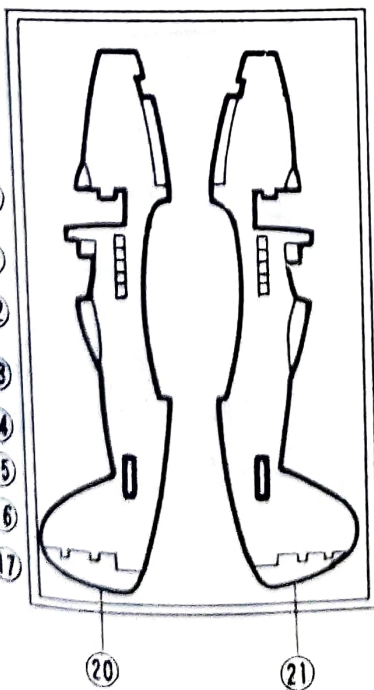
AOSHIMA BUNKA KYOZAI Co.,Ltd.

8, 1, 2 Ando Shizuoka City Shizuoka Pref. JAPAN

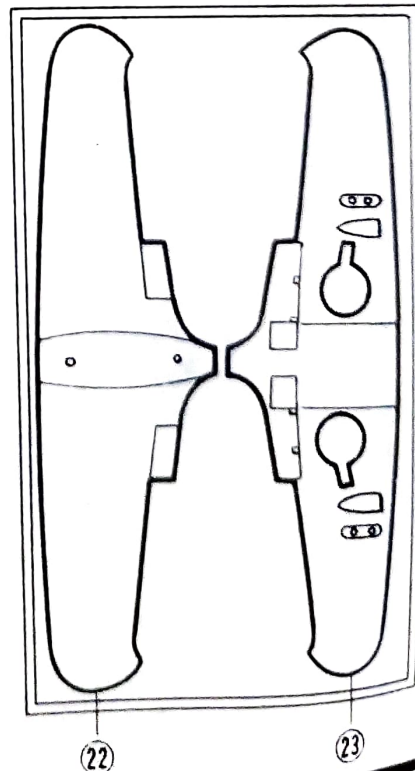
Parts ⑧ ⑨



Fuselage



Upper Wing



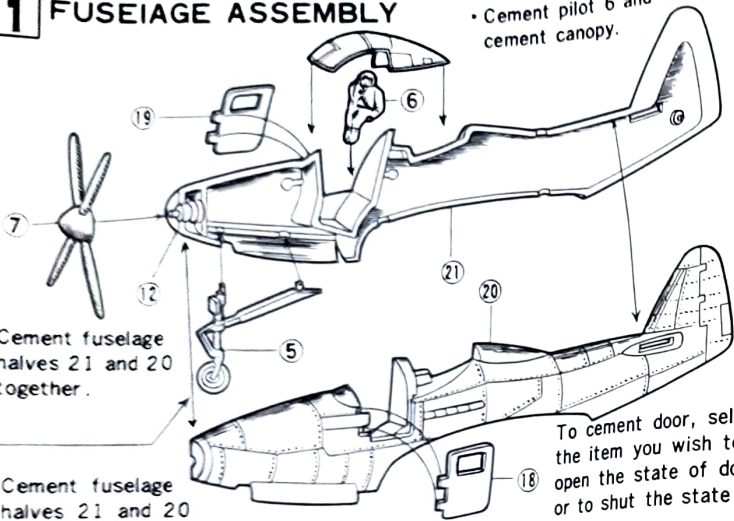
1 FUSEIAGE ASSEMBLY

• Cement pilot 6 and cement canopy.

Cement fuselage halves 21 and 20 together.

Cement fuselage halves 21 and 20 together and cement front wheel 5.

To cement door, select the item you wish to open the state of door or to shut the state of door.



2 UPPER WING ASSEMBLY

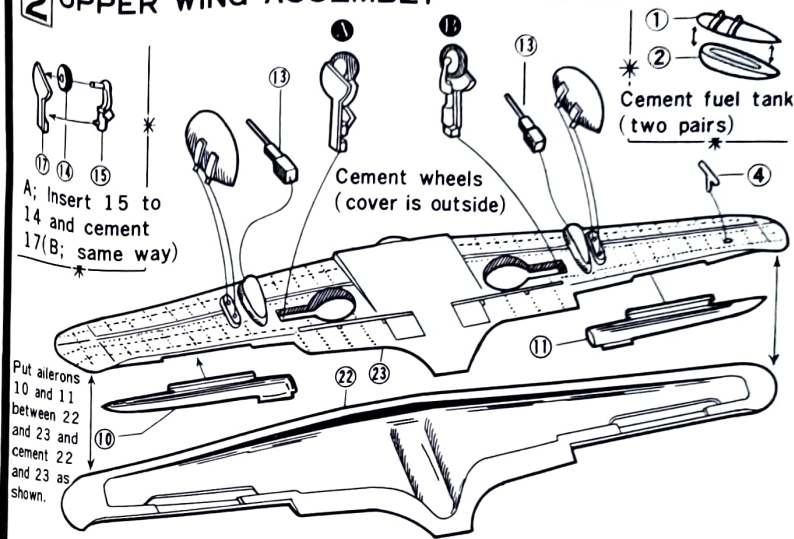
Cement 13 and fuel tank.

A: Insert 15 to 14 and cement 17(B; same way)

Cement wheels (cover is outside)

Cement fuel tank (two pairs)

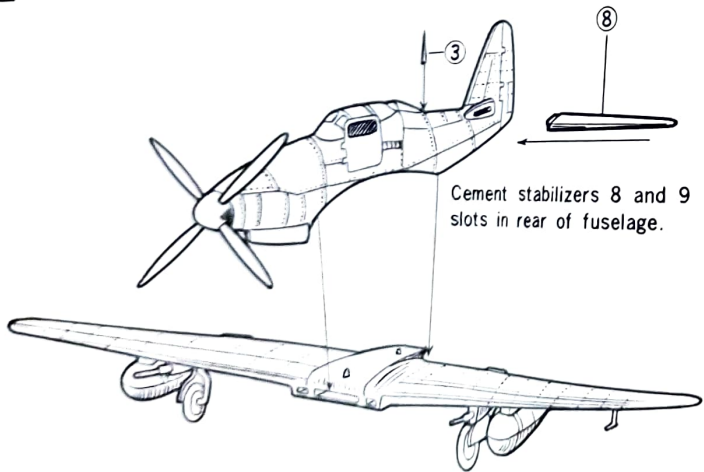
Put ailerons 10 and 11 between 22 and 23 and cement 22 and 23 as shown.



3 FUSEIAGE ASSEMBLY

• Cement 3.

Cement stabilizers 8 and 9 into slots in rear of fuselage.



4 APPLYING DECALS

To apply decals, select the item you wish to apply and cut it from the sheet with scissors.

Painting: Please refer refer to the picture of case.

269402 Both side

(is small decal)

