

C-47A Skytrain

1:48 SCALE

C-47A “空中列车”运输机

READ BEFORE ASSEMBLY:

- Study and understand these instructions thoroughly before beginning assembly
- When needed, remove photo-etch parts carefully using a modeling knife or photo etch sprue cutter, being careful not to damage or lose small parts.
- Take extra care in handling photo etch parts in order to avoid injury
- Apply instant cement sparingly to photo etch parts where instructed

- Tools recommended(not included in kit):Plastic and instant cements,sprue cutters,long nose pliers,modeling knife, small files, tweezers, pin vise & scissors. Soft cloth and sandpaper will also assist in construction
- Glue and paint are not included in the kit. Use plastic cement and hobby paints only. Color guide for purchasing paint is included in the kit.

装配之前仔细阅读

- 小心用模型锉刀锉平所有零件表面的注射浇口。
- 小心用刀片切下蚀刻片零件，不要遗失小零件。
- 用强力快干胶水粘合蚀刻片零件和金属轴。过量快干胶水使用可能导致可动零件会粘住，小心涂胶。
- 取蚀刻片时应特别注意安全，防止利边划伤手指。
- 某些零件表面需贴水上贴纸，请选择在装配的同时进行。
- 推荐模型工具(自备)：胶水，水口剪刀，长咀钳，刀片，锉刀，镊子，钳，钻，剪刀，瞬间快干胶。
- 软布同砂纸同时也应该是必备工具。
- 请使用塑料胶水和油漆，模型内不含。

水贴纸的使用:

- 1.从水贴上剪下印花;
- 2.将印花放入温水中浸10秒, 然后放在干净布上。
- 3.拿着印花纸板将印花移到模型上;
- 4.手指蘸水将印花移到适当的位置;
- 5.用软布轻压印花直至水干, 气泡消失。

DECAL APPLICATION

- 1.Cut decals from sheet as needed
- 2.Dip the decal in warm water for about 10 seconds and then place on soft clean cloth.
- 3.Hold the decal backing sheet edge and gently slide the decal onto the model in its proper position.

- 4.While still wet,decal can be adjusted for better fit on model by dampening it gently with your finger.
- 5.When placed in the proper position,gently press decal down with a soft cloth until excess water and air bubbles are gone.
- 6.Allow decal to dry completely before handling model.



使用强力胶
Cyanoacrylate glue



配重
Weight



钻孔
Make hole



切除
Cut / Remove



选择
Option



不涂胶水
No cement



贴纸
Decal



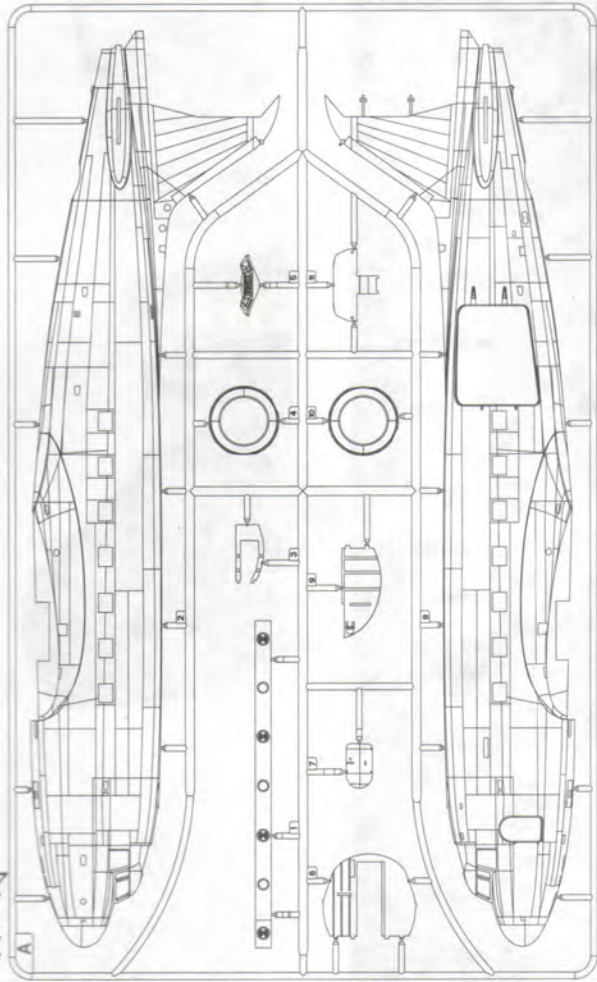
弯曲
Bend



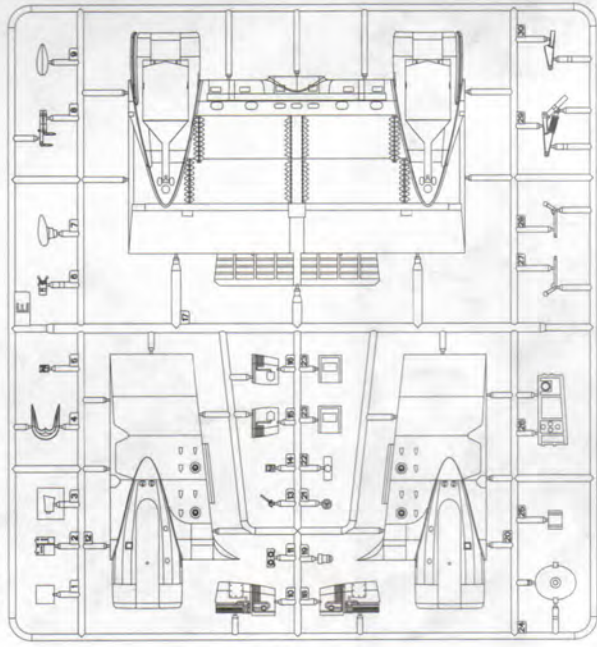
锉平
File / Sand

部品图 Parts

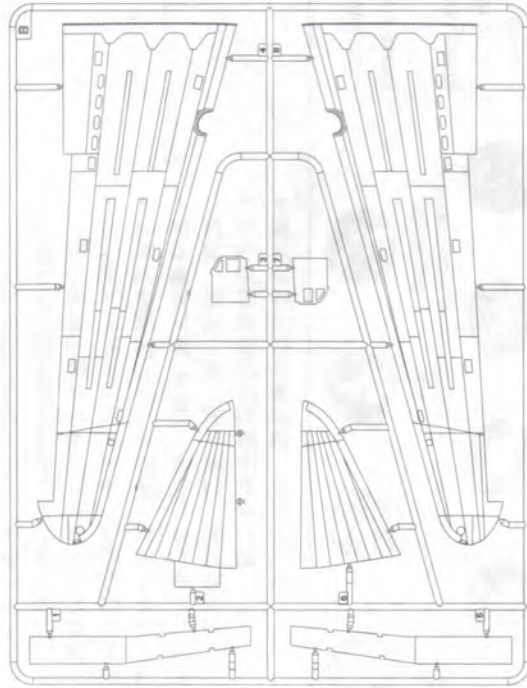
A X1 ✓



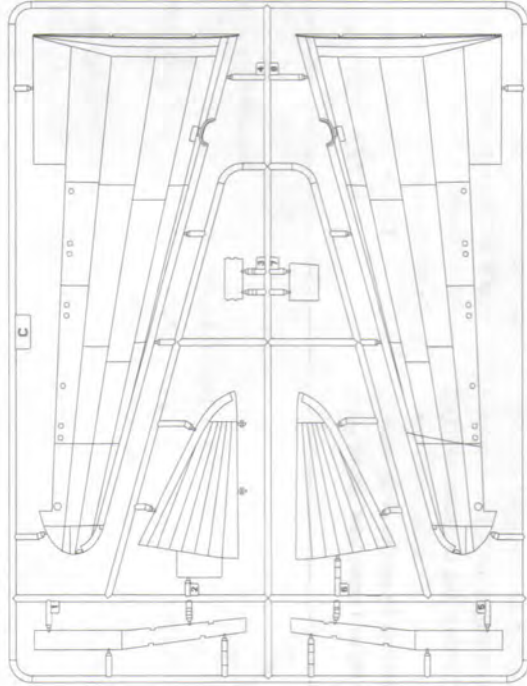
E X1 ✓



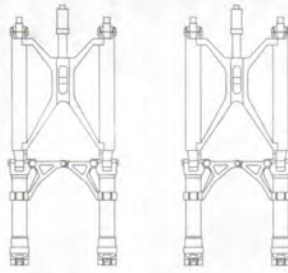
B X1 ✓



C X1 ✓



<<金属起落架>> ✓
Metal parts



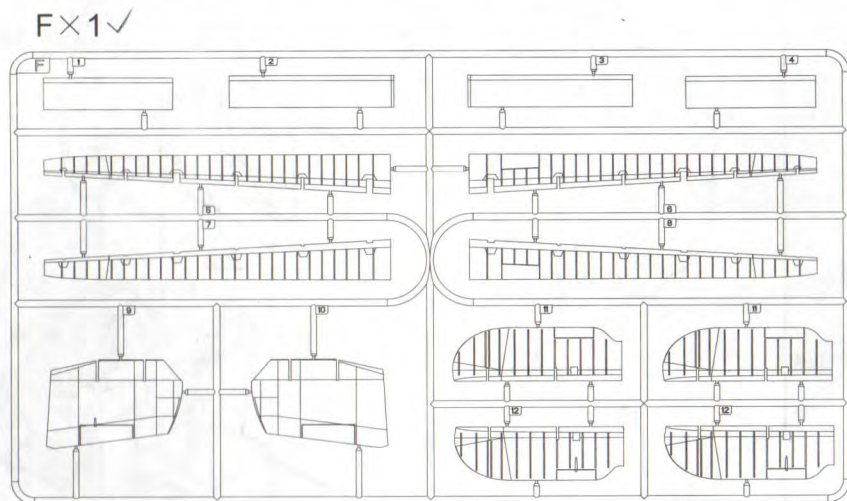
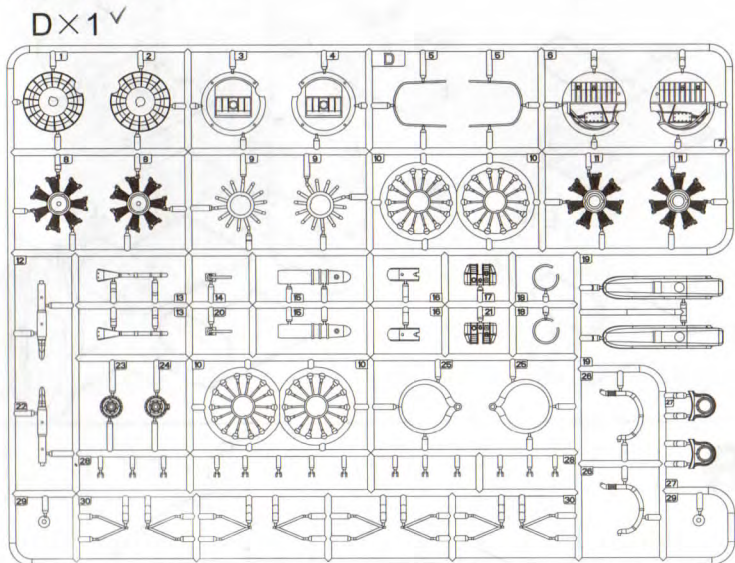
<<主轮胎>> X2 ✓
Main tyre



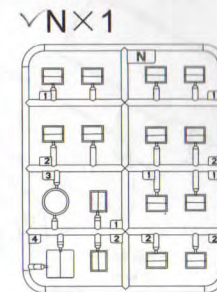
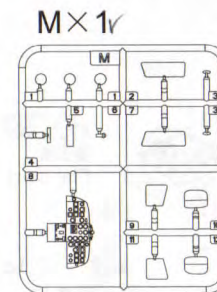
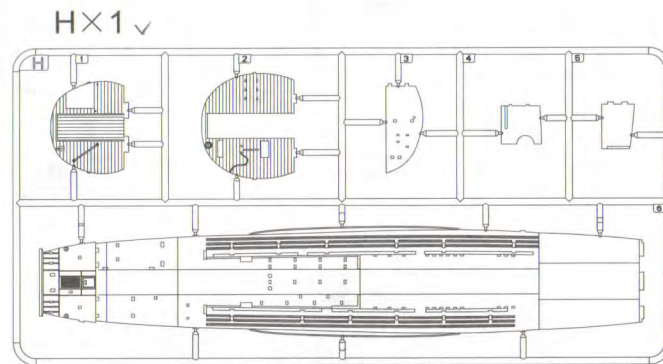
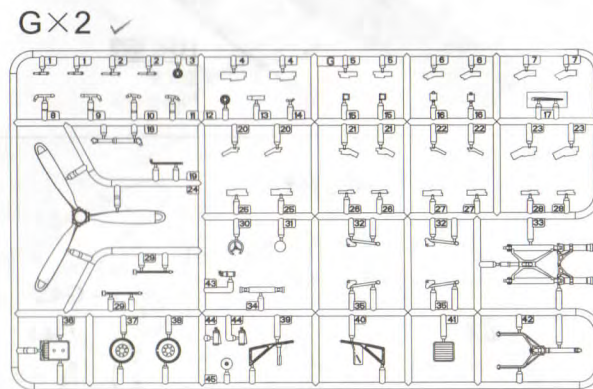
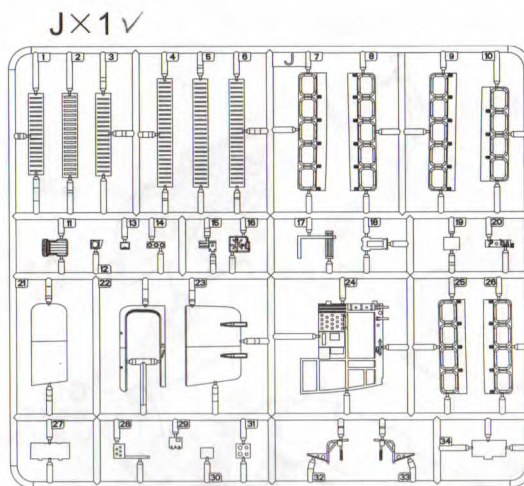
<<尾轮胎>> ✓
Tail tyre



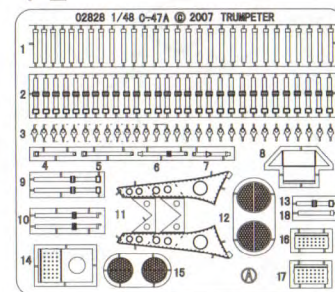
部品图 Parts



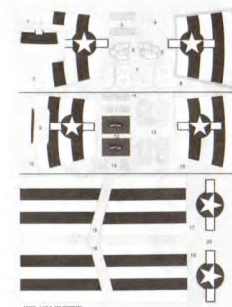
✓
«菲林»
Film



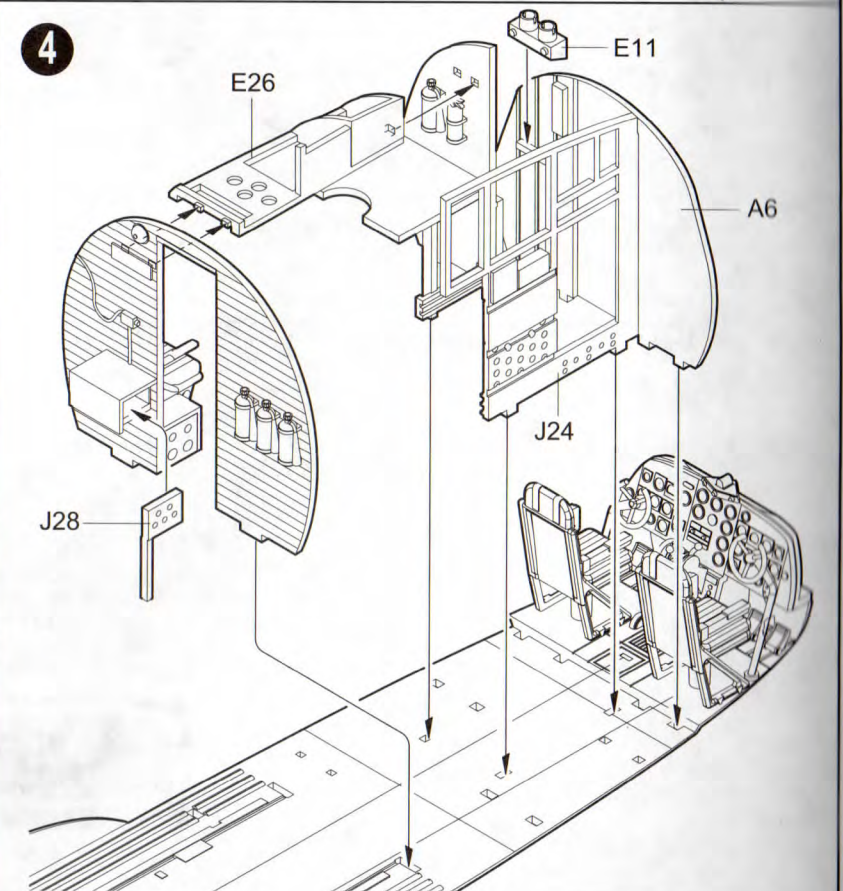
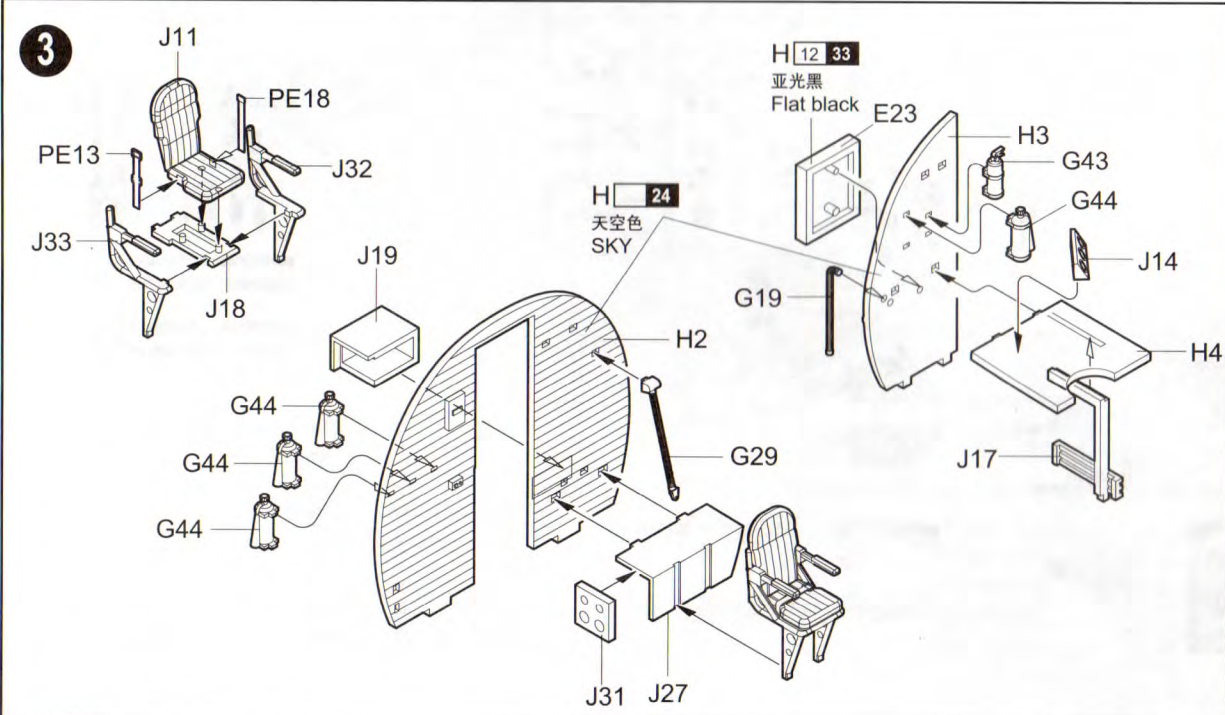
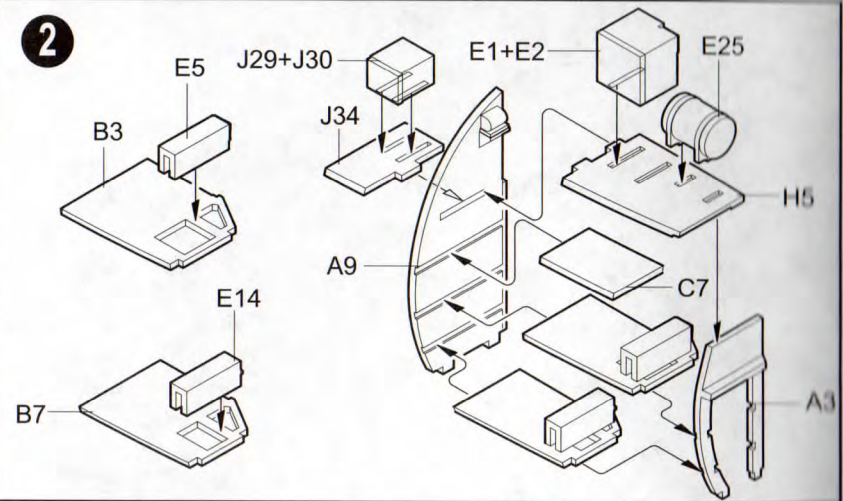
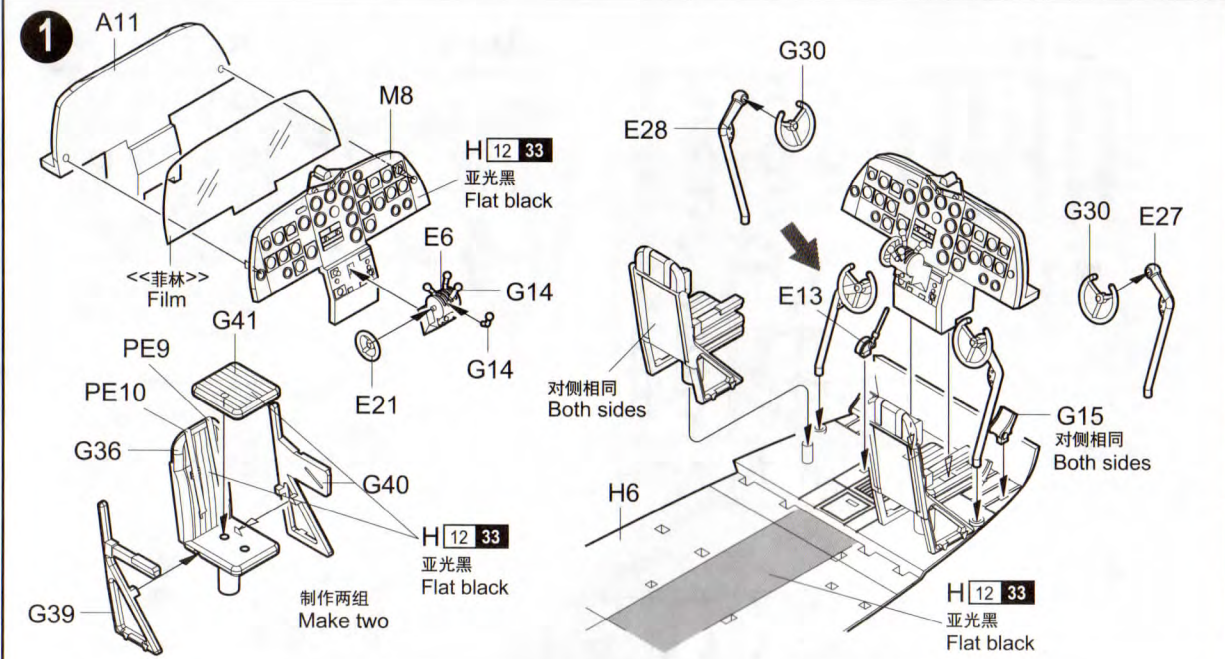
PE✓

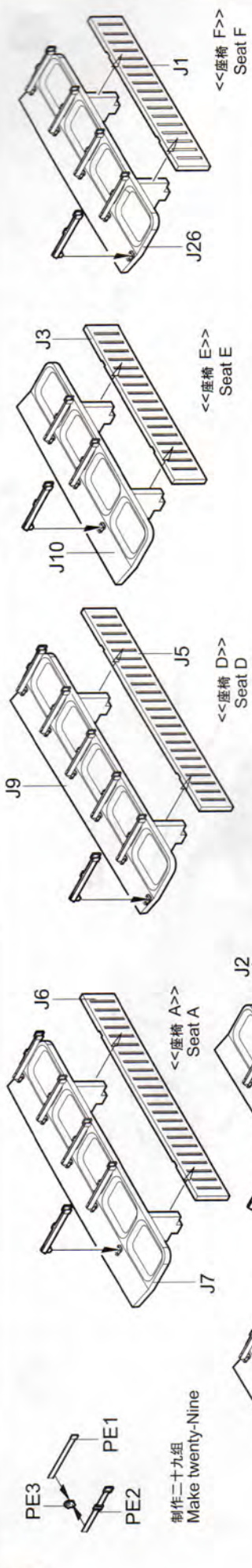


«水贴»
Decal

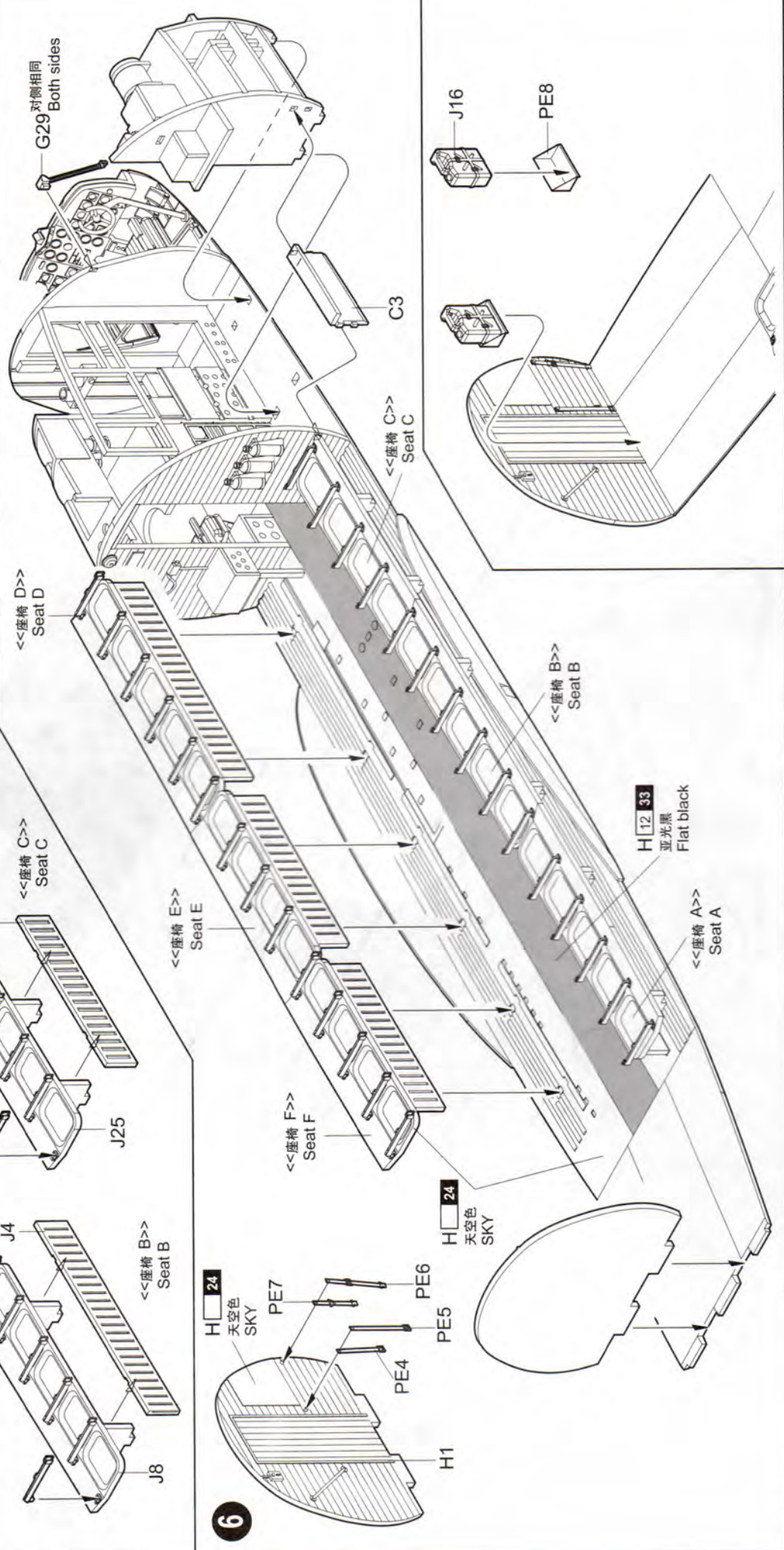


Color	Mr.Hobby	Vallejo	Model Master	Tamiya	Humbrol
Red 红色	H 3 3	908	1503	X7	19
Silver 银色	H 8 8	997	1546	X11	11
天灰色 SKY	H 24				
Metal Black 黑色	H 18 28	864	1402	-	-
Flat Black 亚光黑	H 12 33	950	1749	XF1	33
Khaki 卡其色	H 81 55	988	-	XF49	26
原野绿 Field Green	H 340 340	-	1712	XF26	105



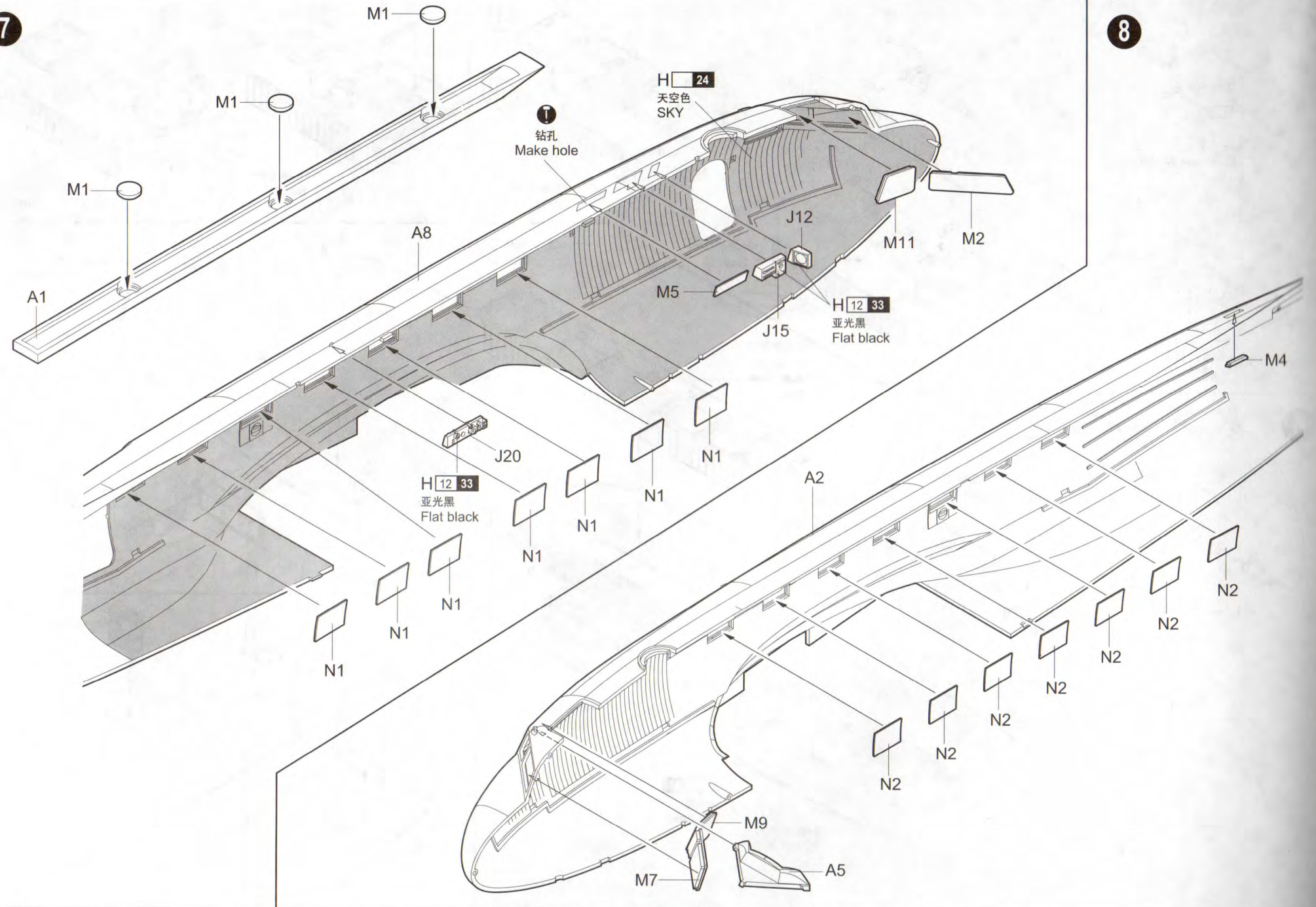


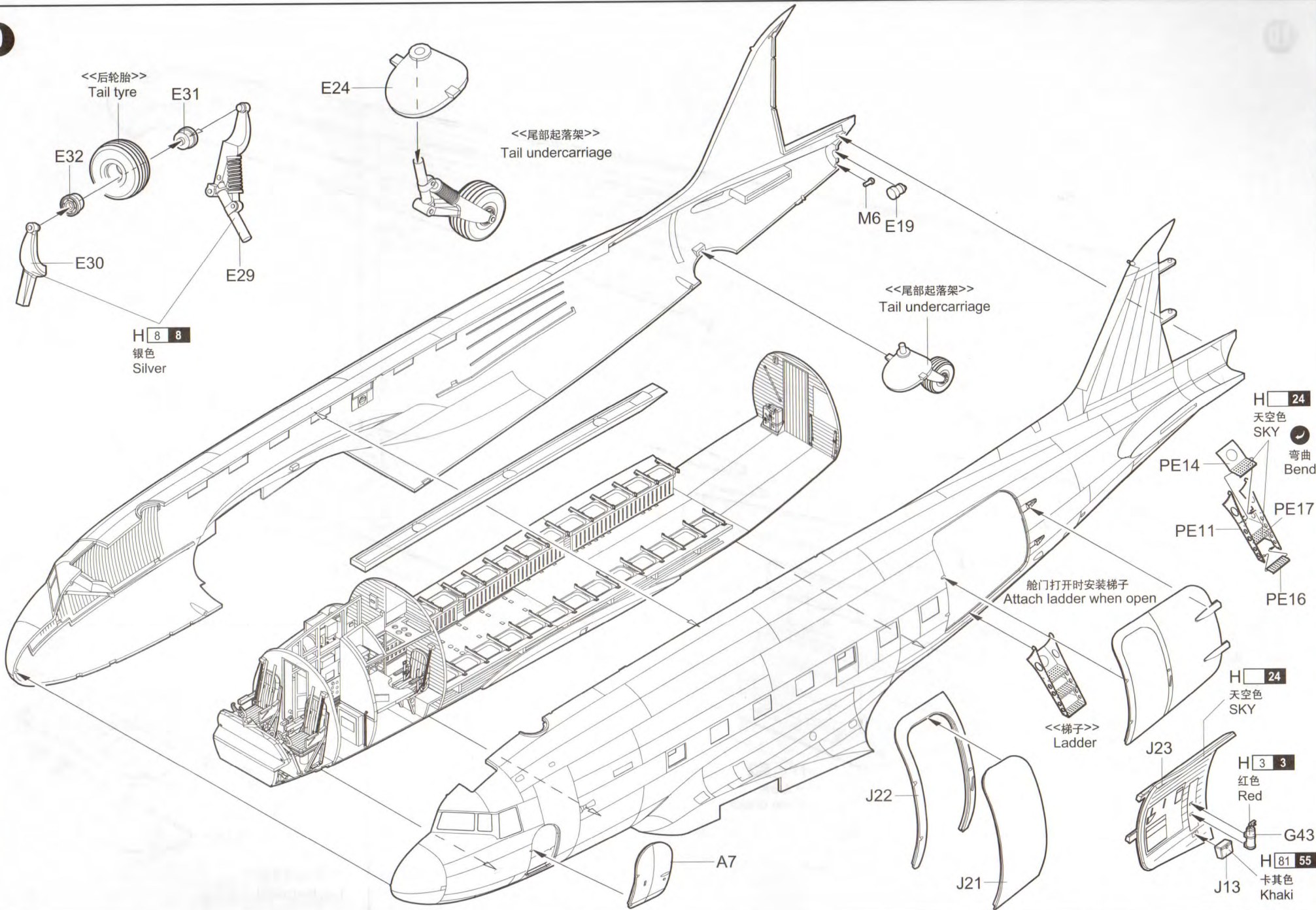
制作二十九组
Make twenty-nine



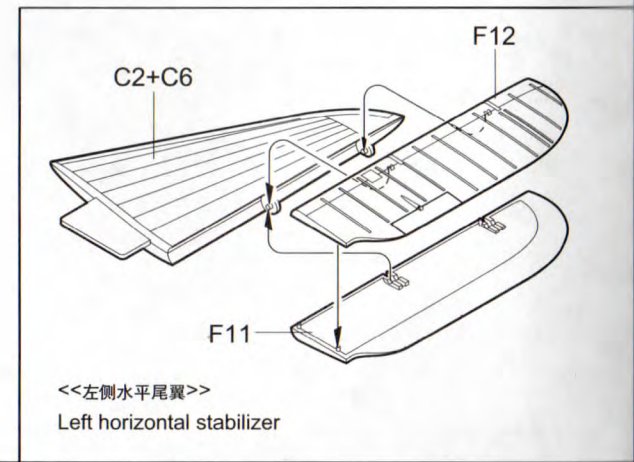
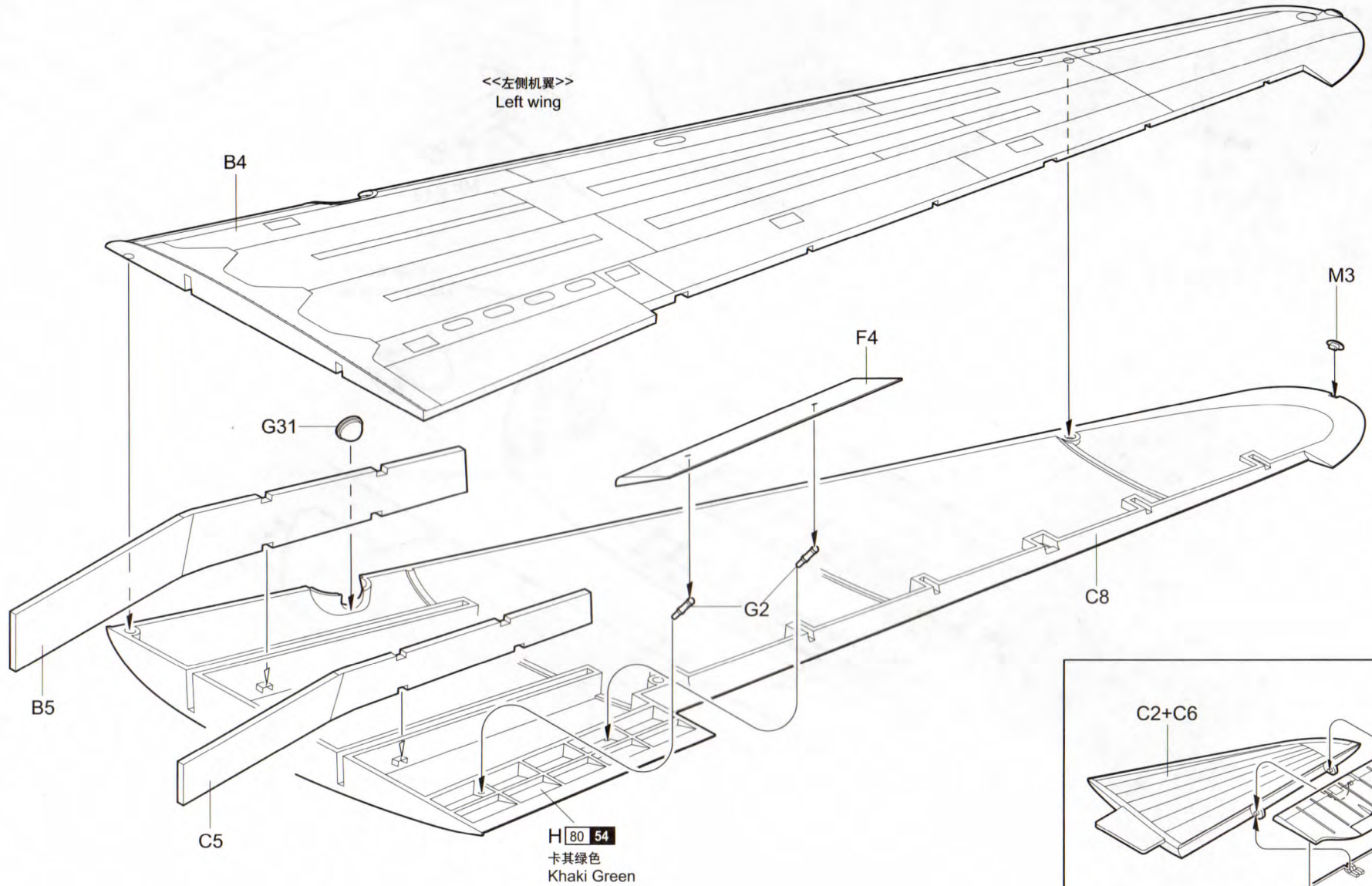
7

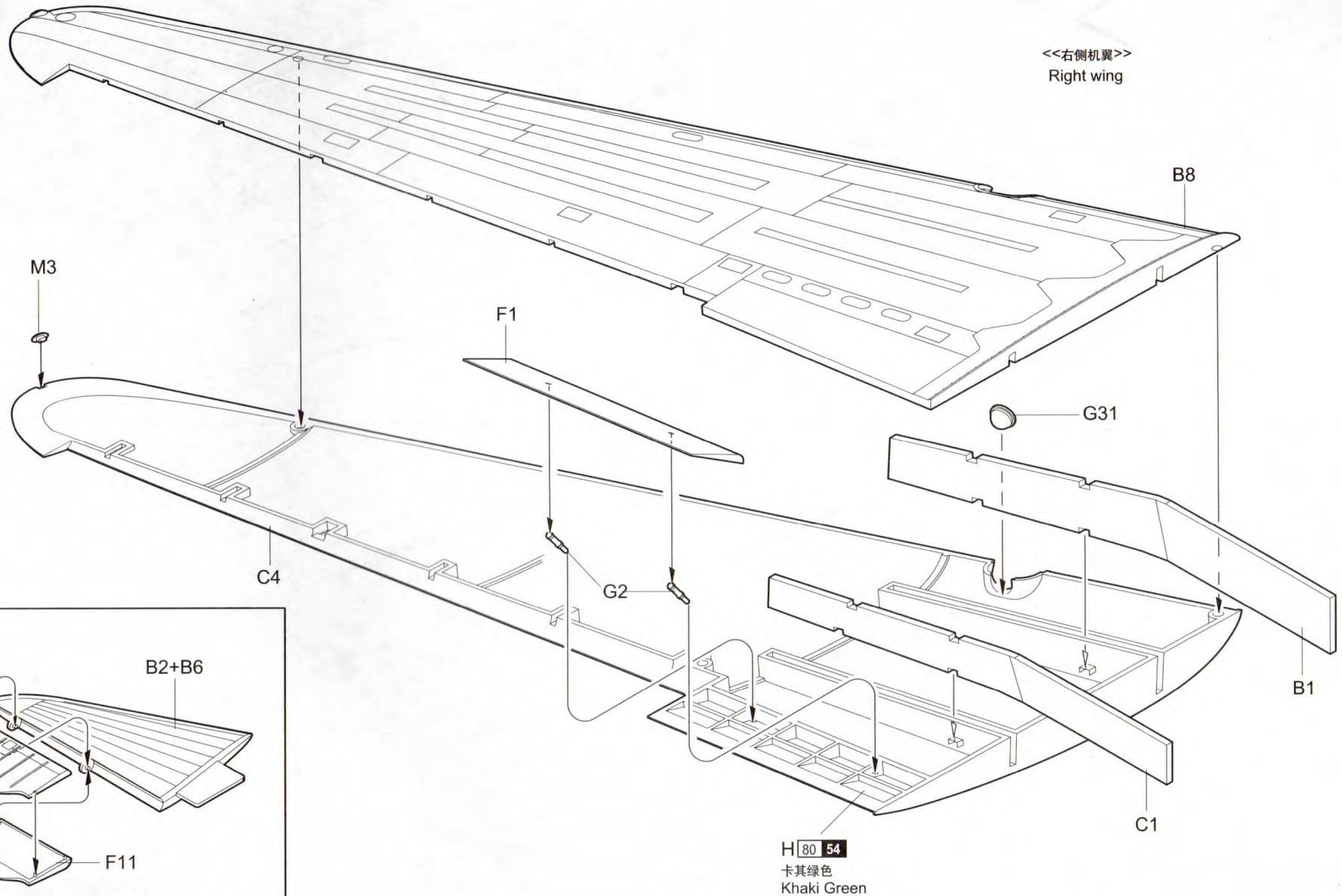
8





<<左侧机翼>>
Left wing

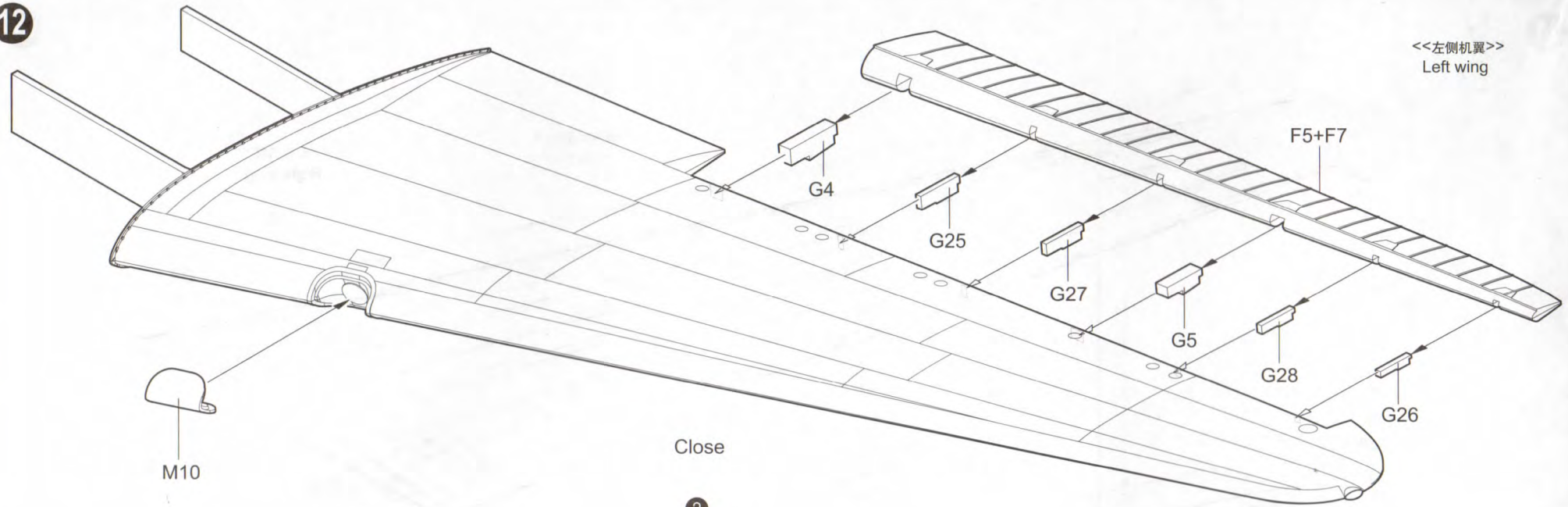




<<右侧水平尾翼>>
Right horizontal stabilizer

12

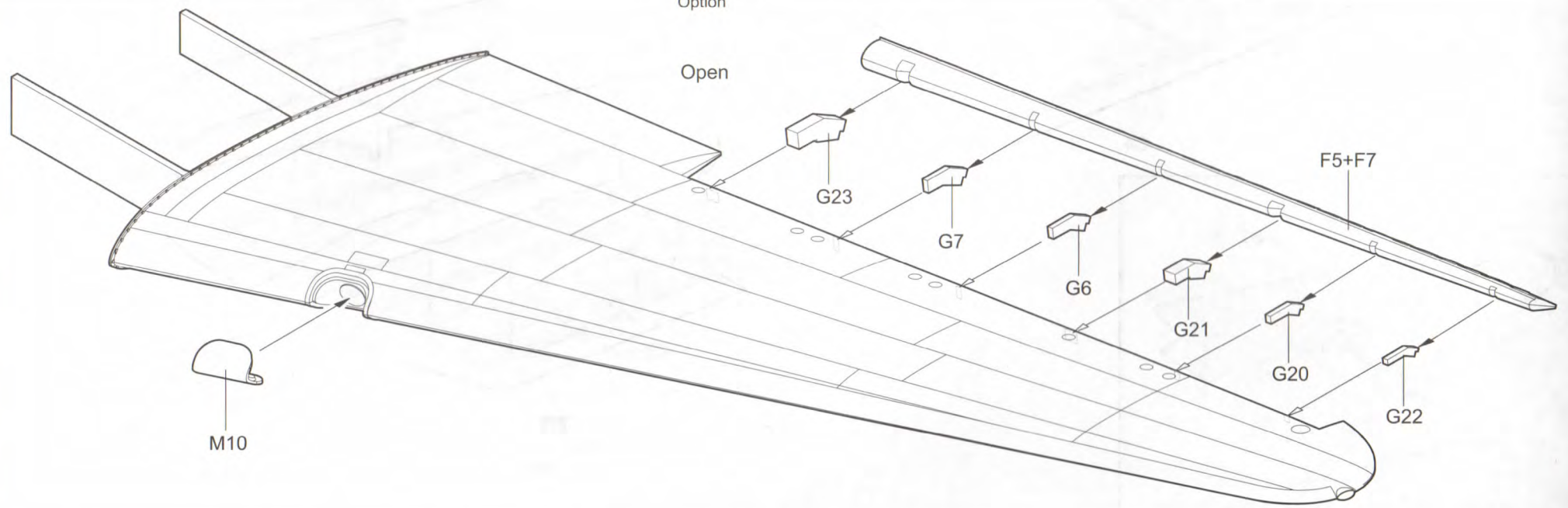
<<左侧机翼>>
Left wing



Close

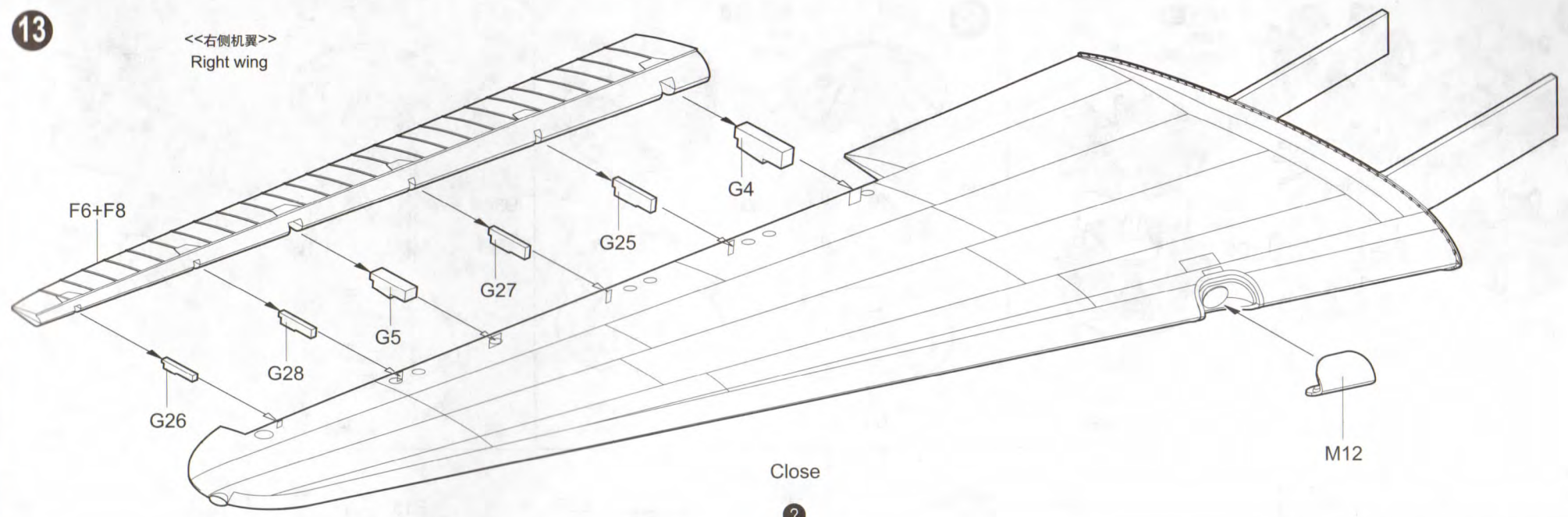
?
选择
Option

Open



13

<<右侧机翼>>
Right wing

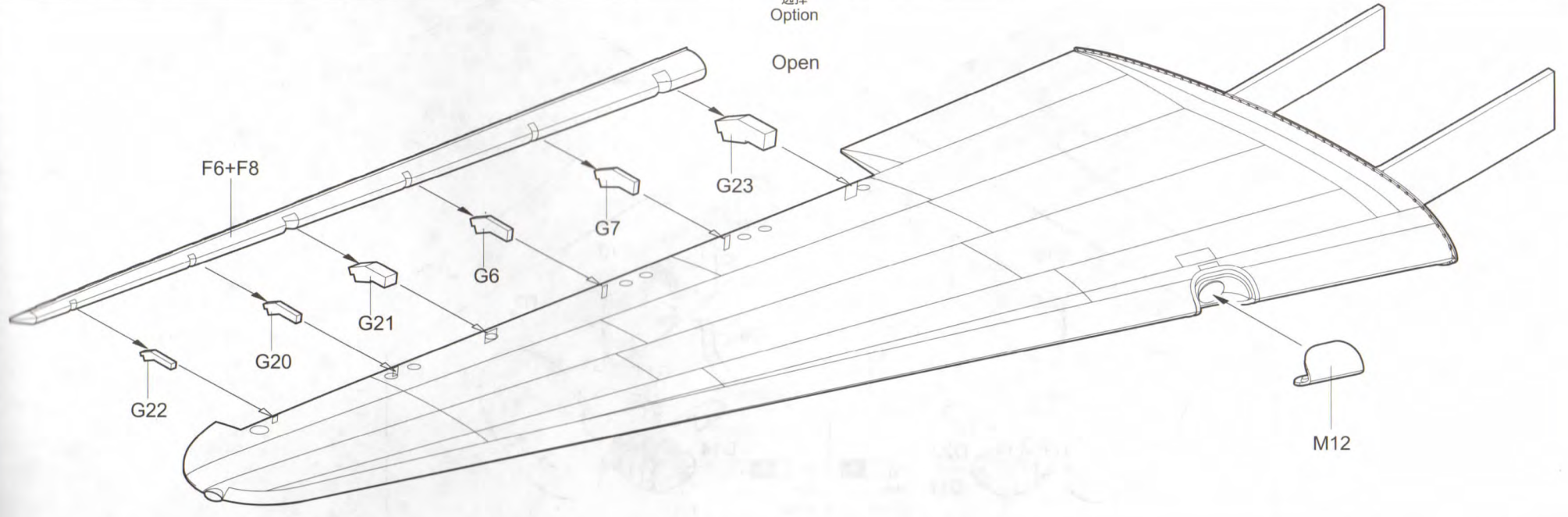


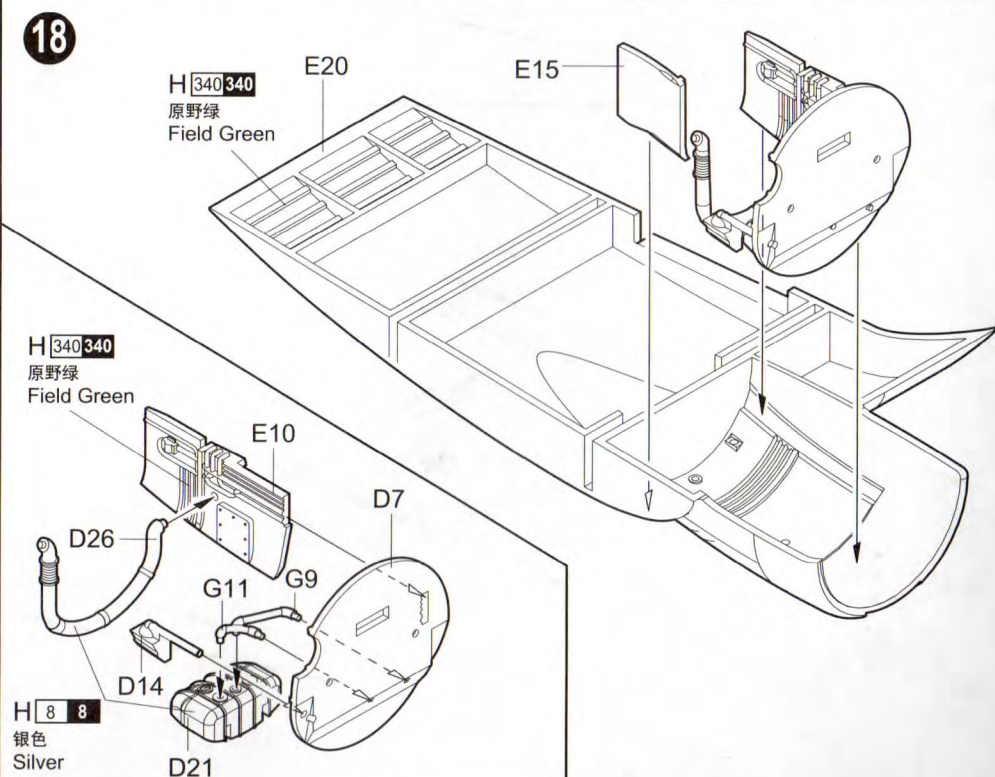
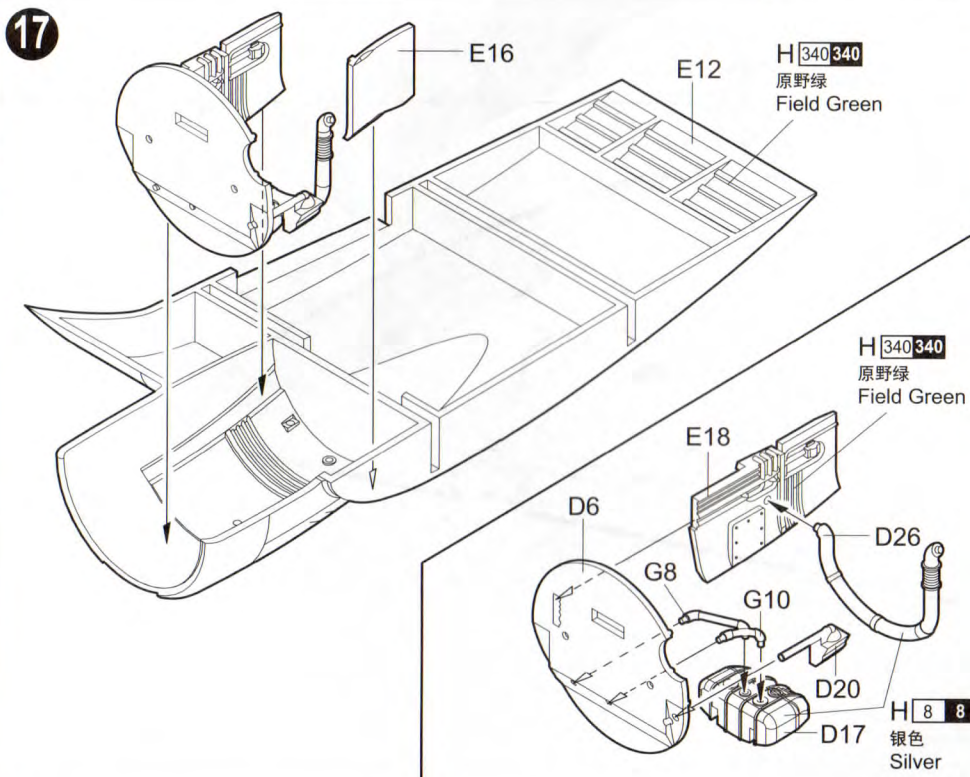
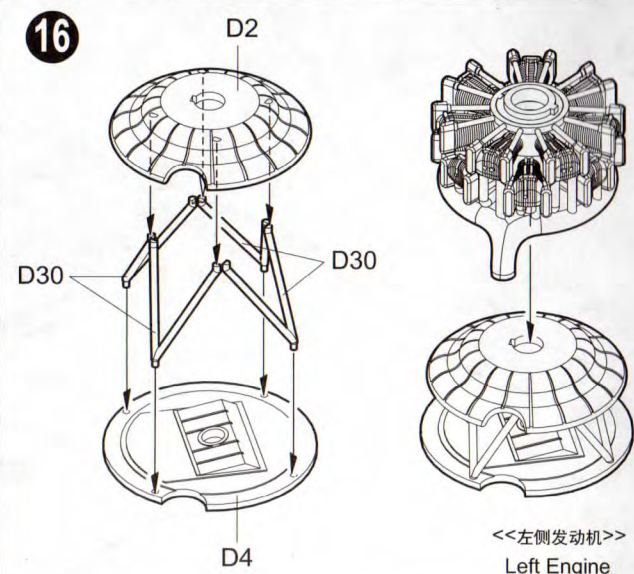
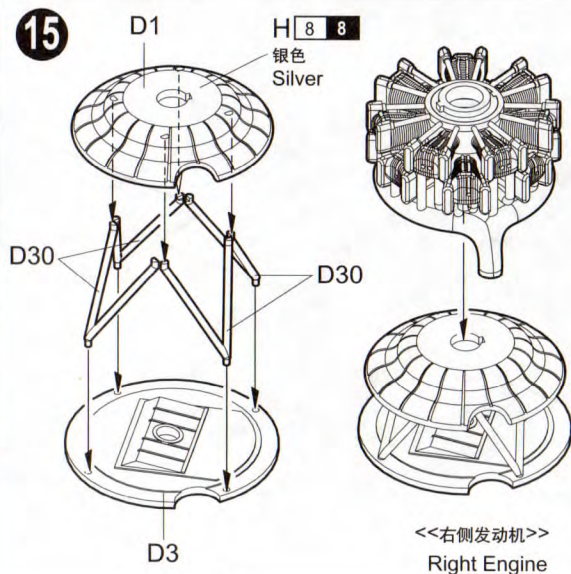
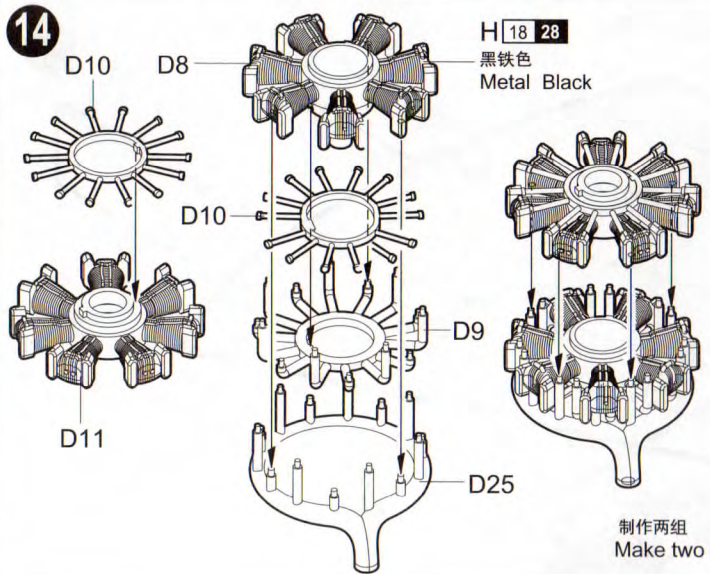
Close

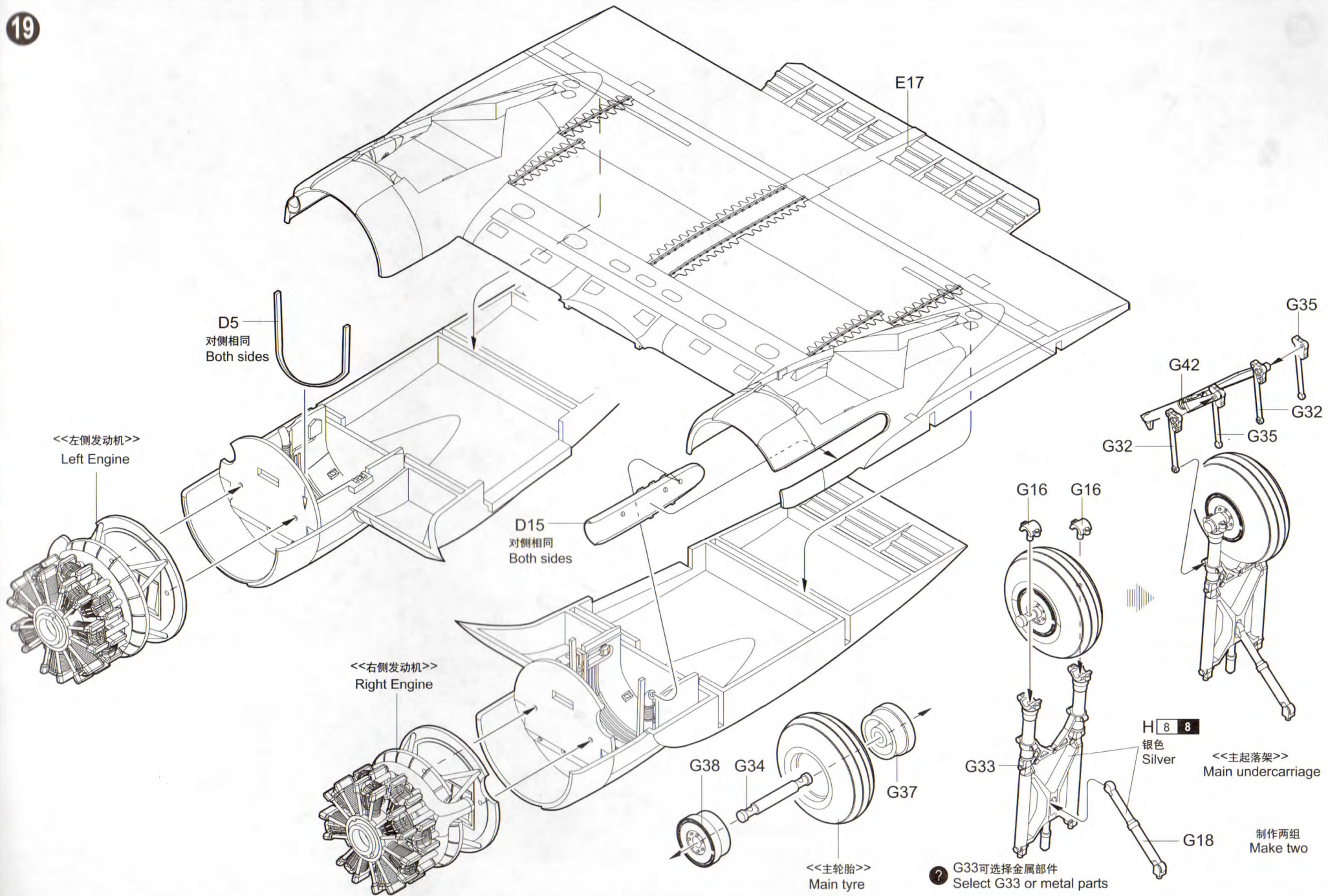


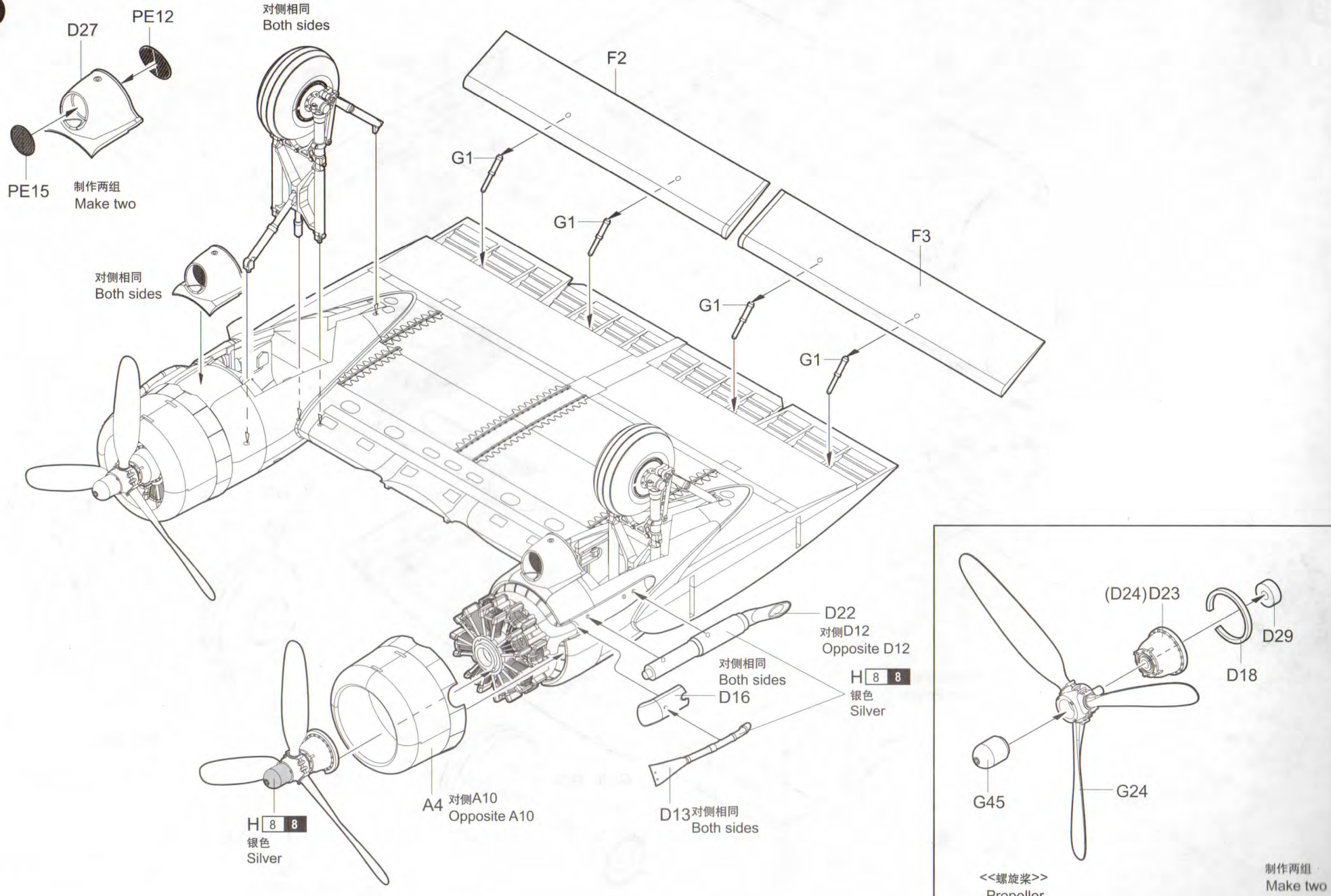
选择
Option

Open

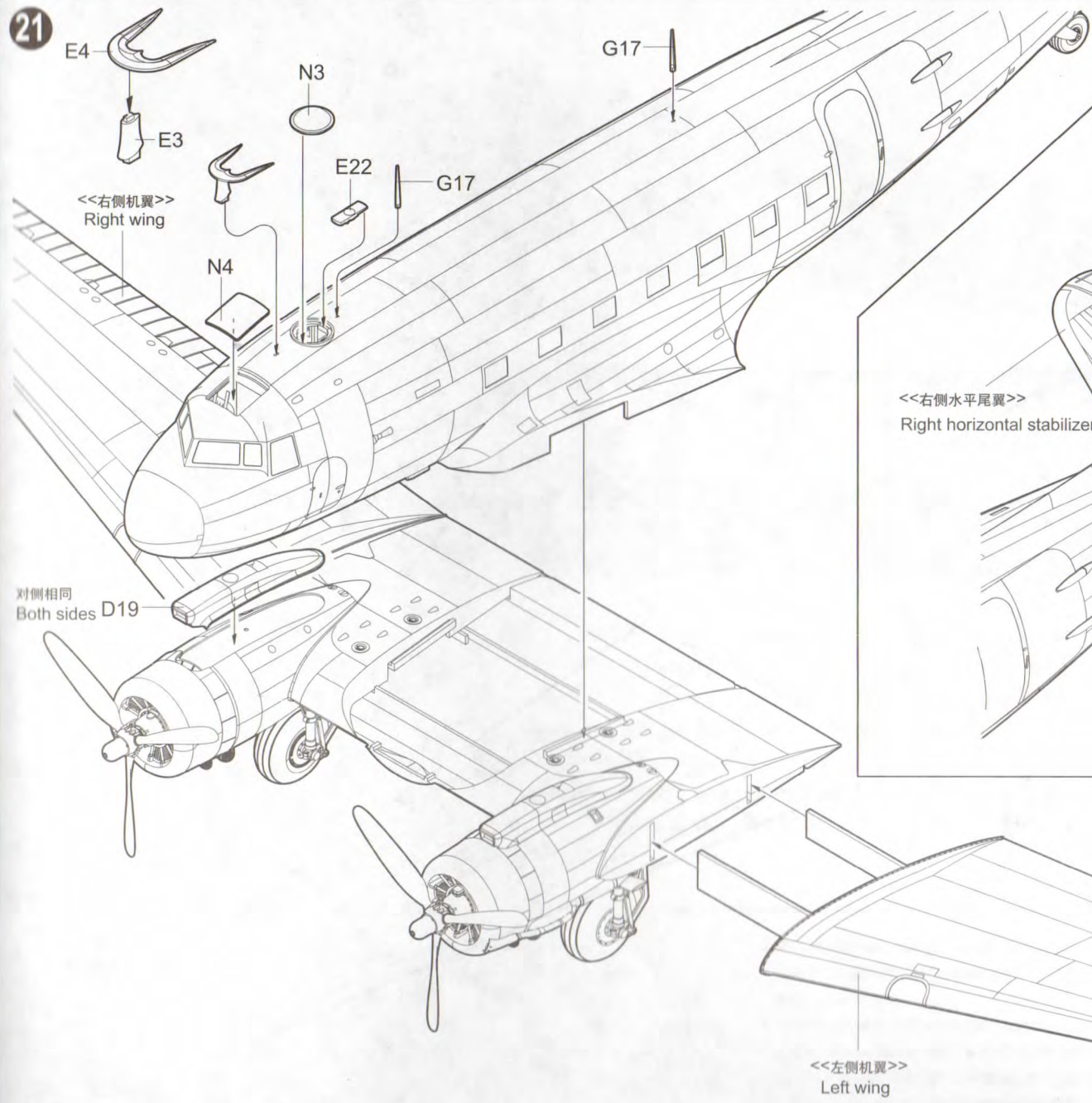




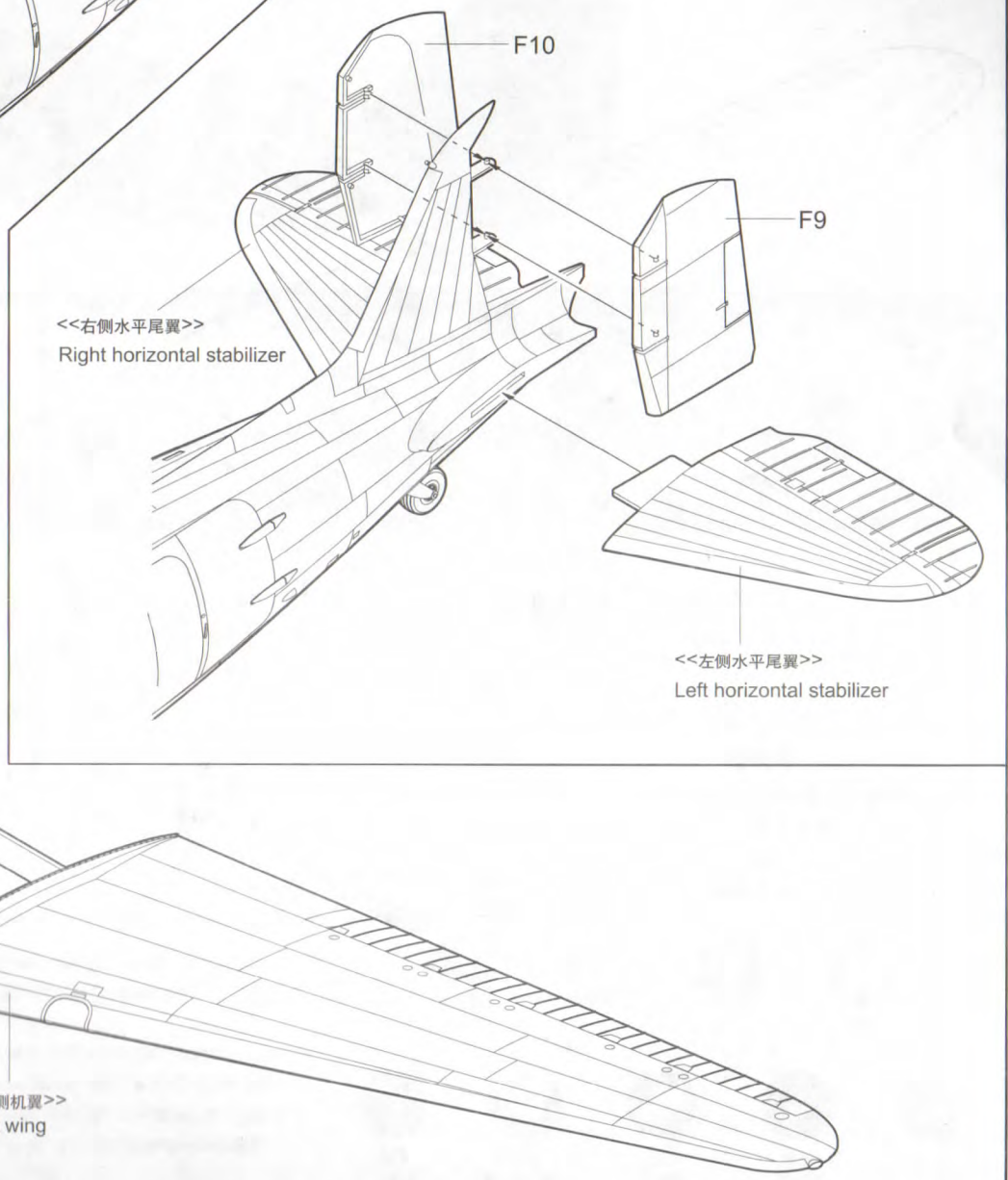


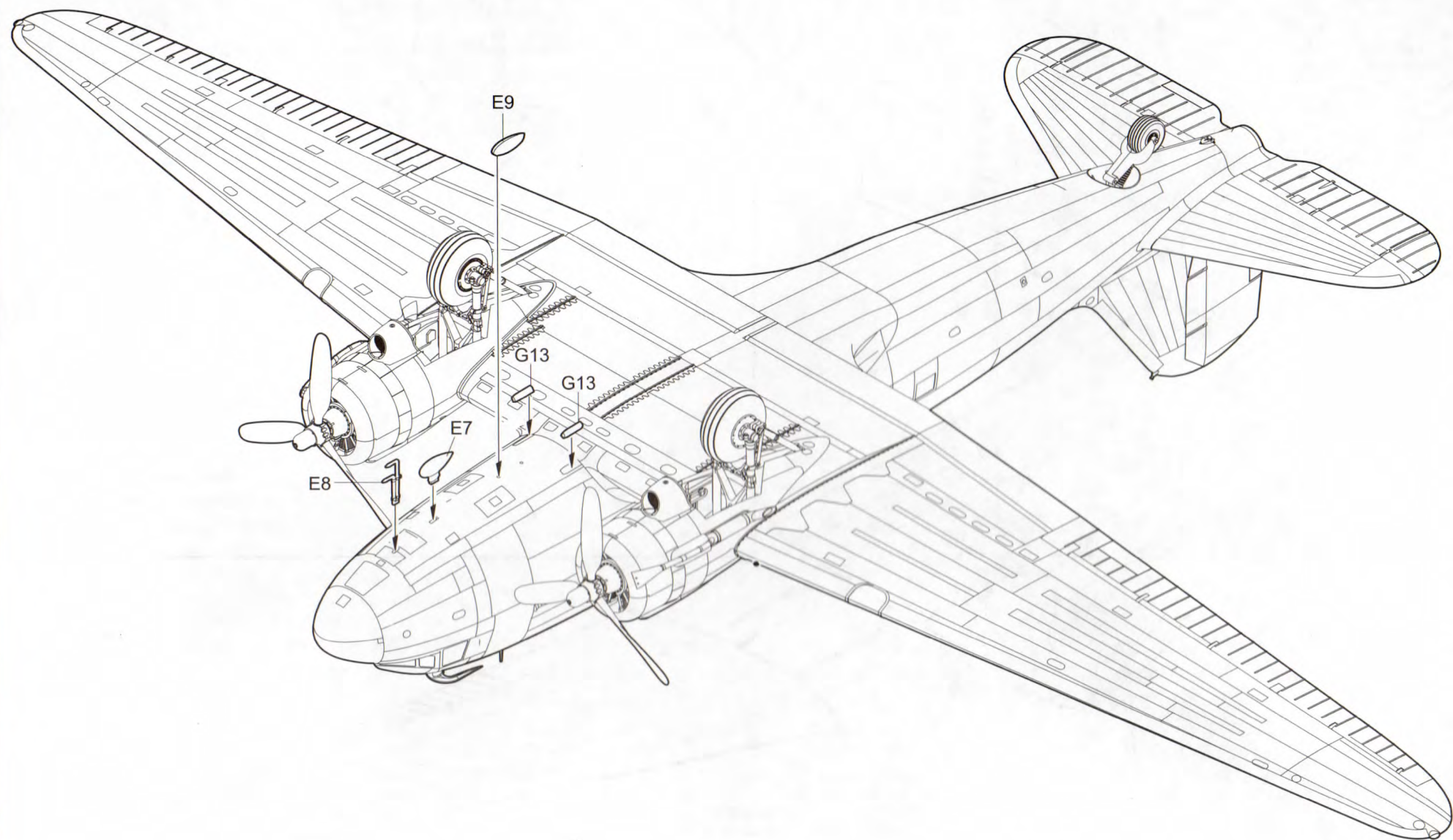


21



22

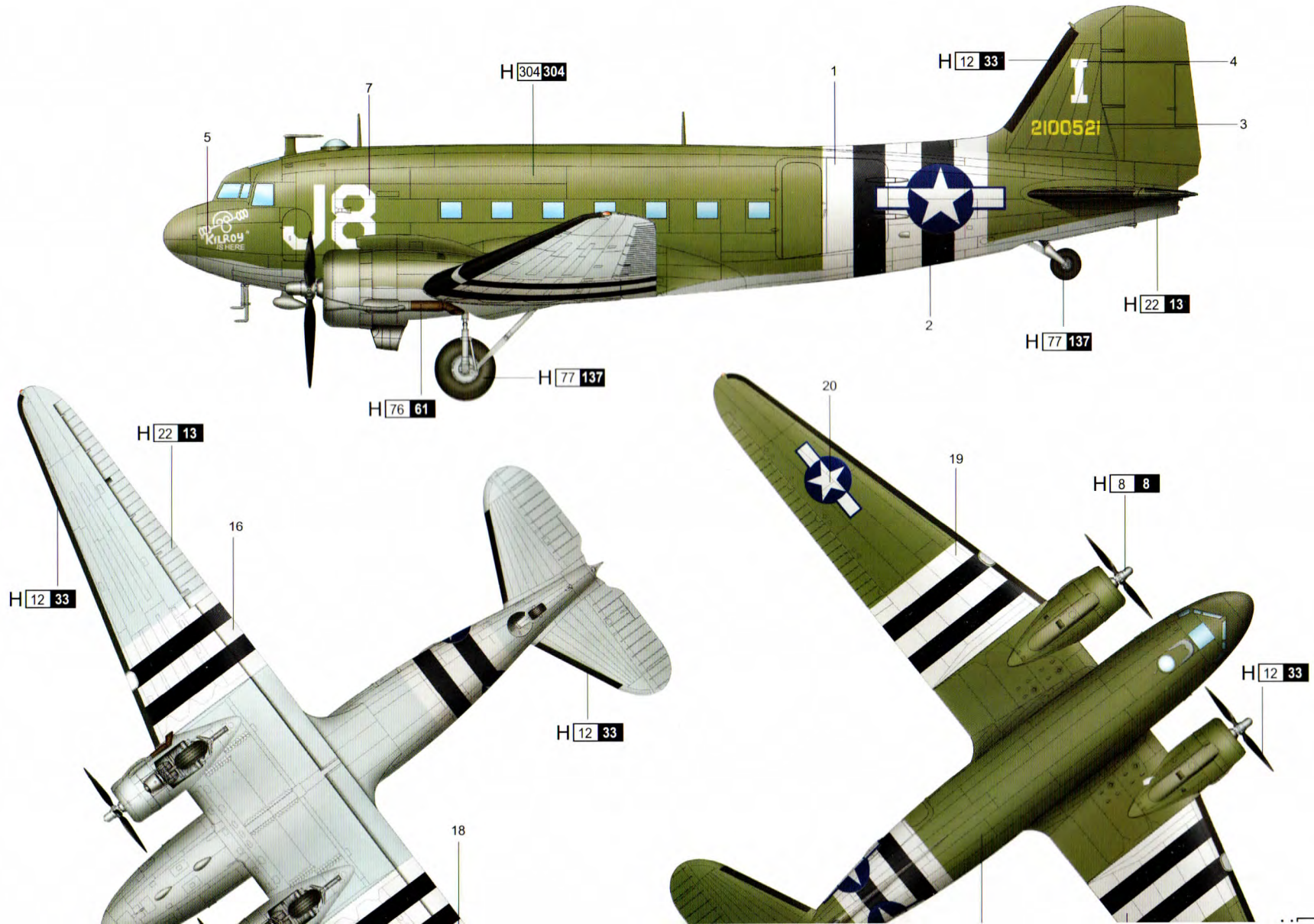


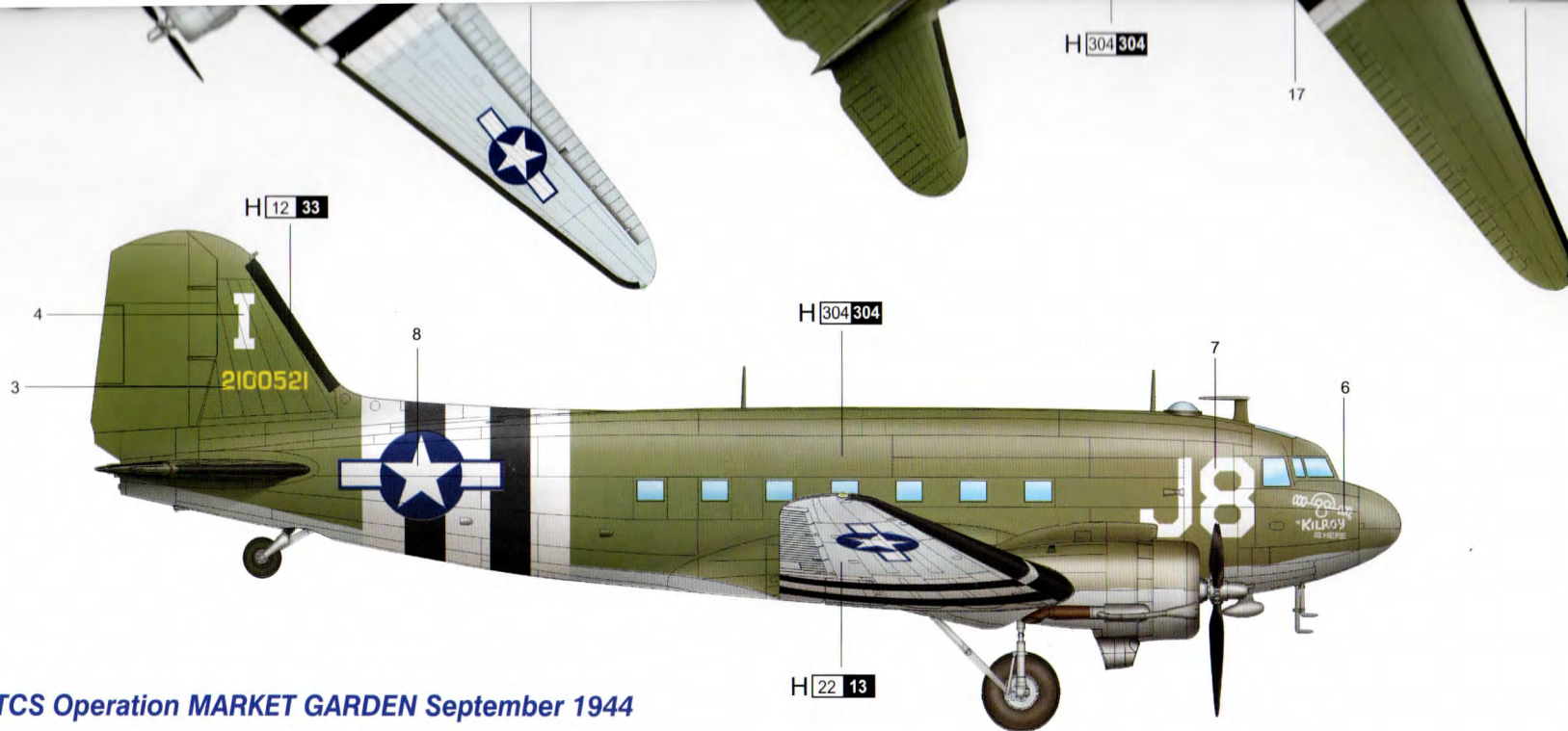


涂装同标贴指示 Painting & Marking guide

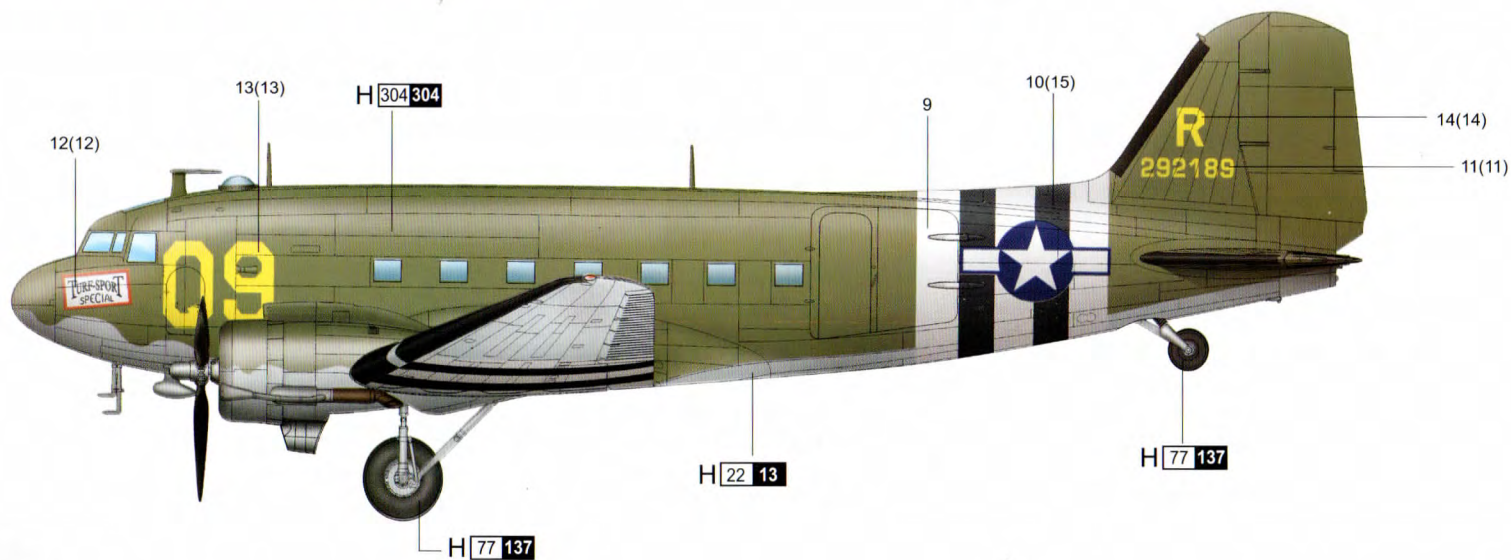
H 8 8	银色 Silver	H 77 137	胎黑色 Tire Black	H 76 61	烧铁色 Burnt Iron
H 12 33	消光黑 Flat black	H 304 304	橄榄色 Olive Drab	H 22 13	灰色 Grey

A C-47A 92ndTCS/439thTCG June 1944





B C-47A 61stTCS Operation MARKET GARDEN September 1944



H AQUEOUS HOBBY COLOR

Mr. COLOR

使用 MR.HOBBY 涂料 Mr. Color Used

02828 1/48 C-47A SKYTRAIN