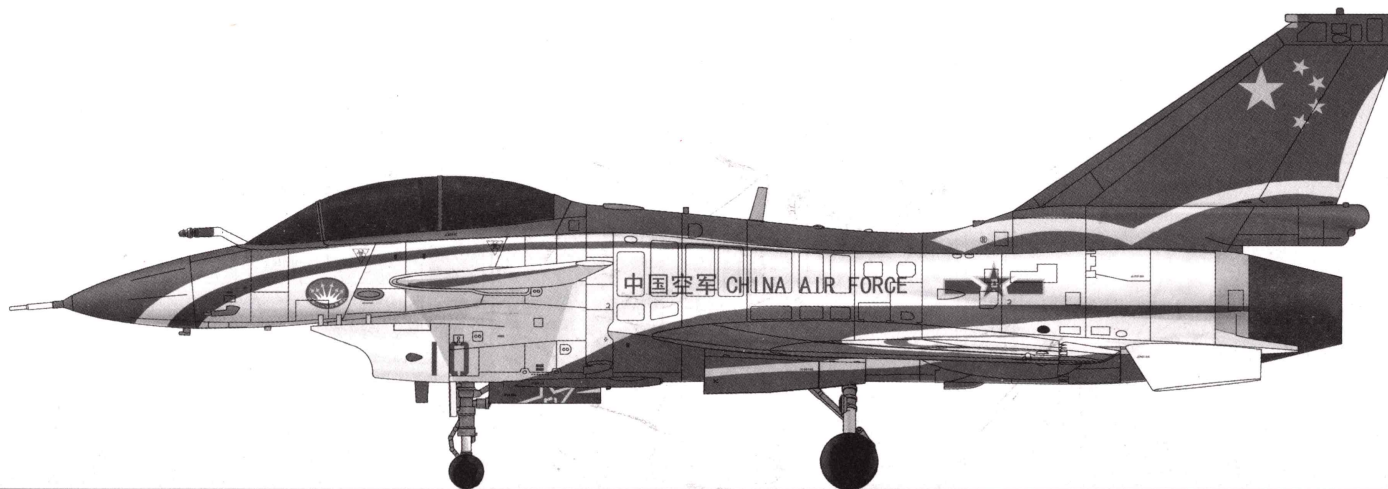


ITEM NO.:01644



Chinese J-10S fighter

1:72 SCALE

中国J-10S战斗机

READ BEFORE ASSEMBLY:

- Study and understand these instructions thoroughly before beginning assembly
- When needed, remove photo-etch parts carefully using a modeling knife or photo etch sprue cutter, being careful not to damage or lose small parts.
- Take extra care in handling photo etch parts in order to avoid injury
- Apply instant cement sparingly to photo etch parts where instructed

- Tools recommended(not included in kit):Plastic and instant cements,sprue cutters,long nose pliers,modeling knife, small files, tweezers, pin vise & scissors. Soft cloth and sandpaper will also assist in construction
- Glue and paint are not included in the kit. Use plastic cement and hobby paints only. Color guide for purchasing paint is included in the kit.

装配之前仔细阅读

- 小心用模型锉刀锉平所有零件表面的注射浇口。
- 小心用刀片切下蚀刻片零件，不要遗失小零件。
- 用强力快干胶水粘合蚀刻片零件和金属轴。过量快干胶水使用可能导致可动零件会粘住，小心涂胶。
- 取蚀刻片时应特别注意安全，防止利边划伤手指。
- 某些零件表面需贴水上贴纸，请选择在装配的同时进行。
- 推荐模型工具(自备)：胶水，水口剪刀，长咀钳，刀片，锉刀，镊子，钳，钻，剪刀，瞬间快干胶。
- 软布同砂纸同时也应该是必备工具。
- 请使用塑料胶水和油漆，模型内不含。

水贴纸的使用:

1. 从水贴纸上剪下印花;
2. 将印花放入温水中浸10秒，然后放在干净布上。
3. 拿着印花纸板将印花移到模型上;
4. 手指蘸水将印花移到适当的位置;
5. 用软布轻压印花直至水干，气泡消失。

DECAL APPLICATION:

1. Cut decals from sheet as needed
2. Dip the decal in warm water for about 10 seconds and then place on soft clean cloth.
3. Hold the decal backing sheet edge and gently slide the decal onto the model in its proper position.

4. While still wet, decal can be adjusted for better fit on model by dampening it gently with your finger.
5. When placed in the proper position, gently press decal down with a soft cloth until excess water and air bubbles are gone.
6. Allow decal to dry completely before handling model



cyanocrilate glue
使用强力胶



weight
配重



make hole
钻孔



cut / remove
切除



option
选择



no cement
不涂胶水



decal
贴纸

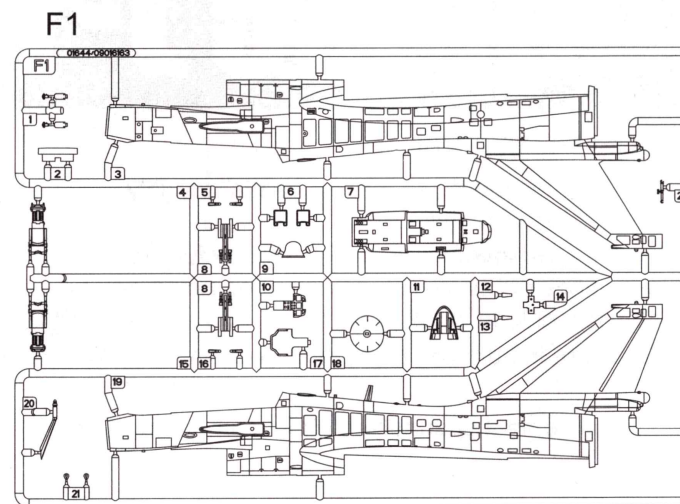
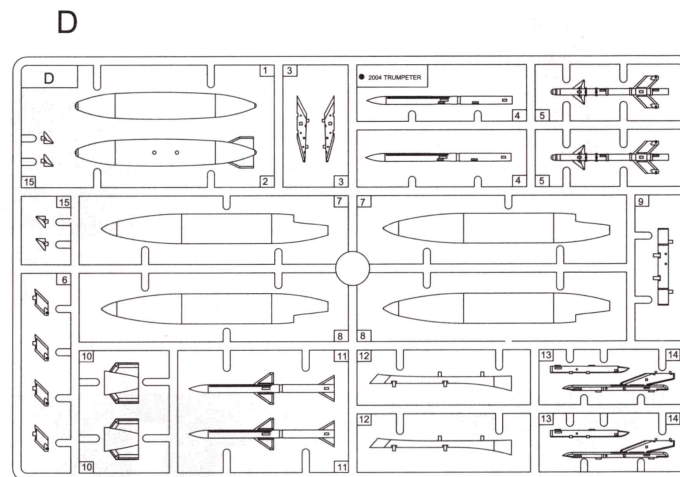
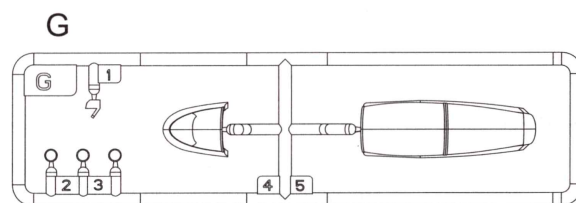
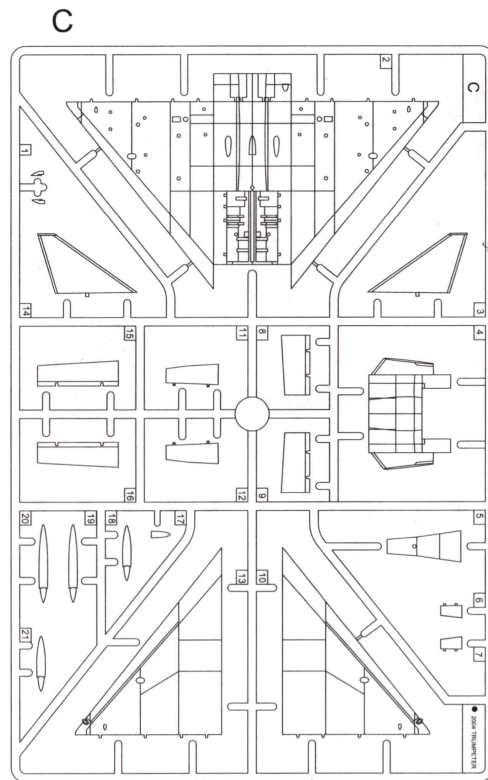
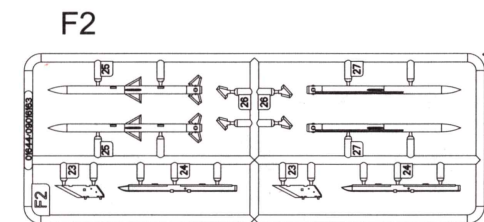
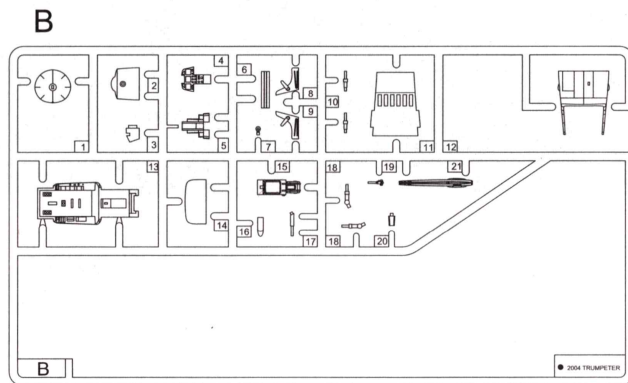
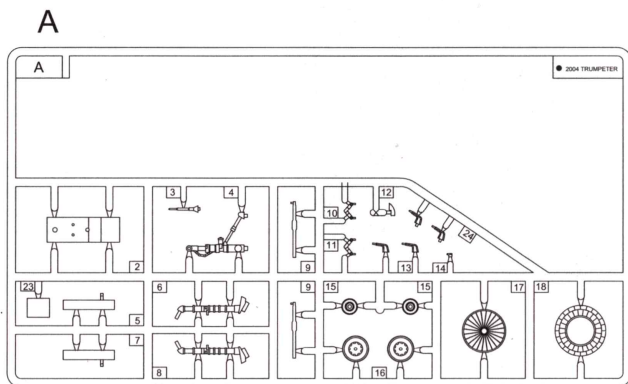


bend
弯曲



file / sand
锉平

部品图 Parts



《水贴》
Decal

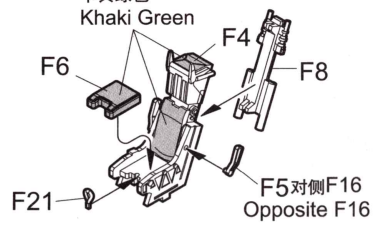


不用的部件: A1, A24, B1, B2, B4, B5, B6, B7, B8, B9, B13, B15, B17, B22
Unused Parts

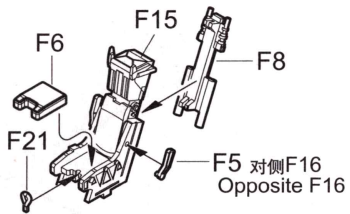
<<座椅 I >>
Seat I

H 80 54

卡其绿色
Khaki Green

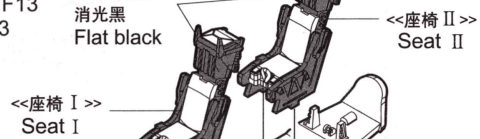


<<座椅 II >>
Seat II



H 12 33

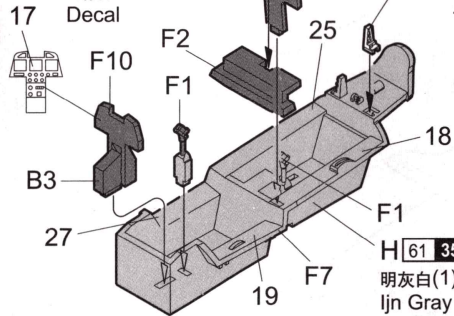
消光黑
Flat black



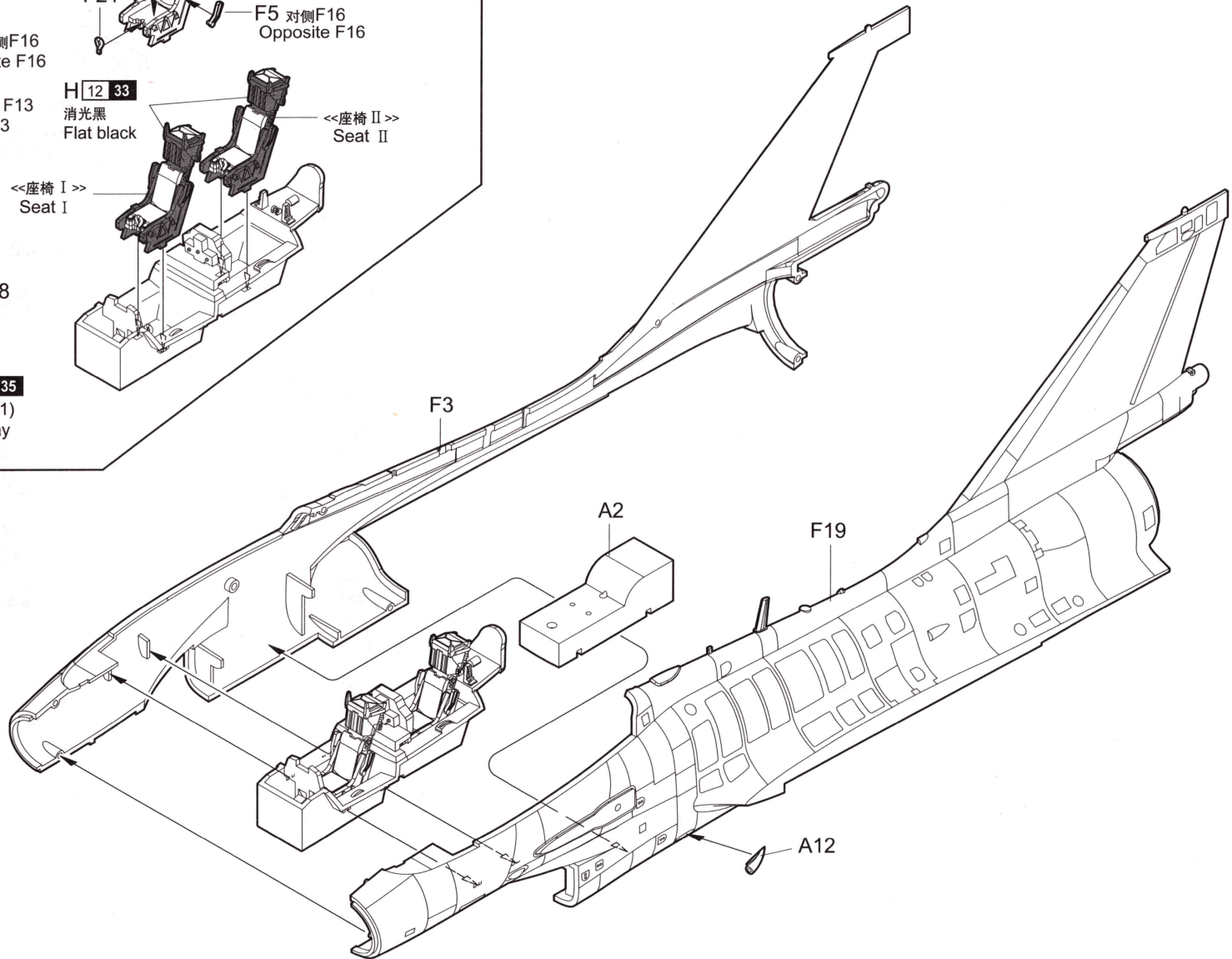
26, 9



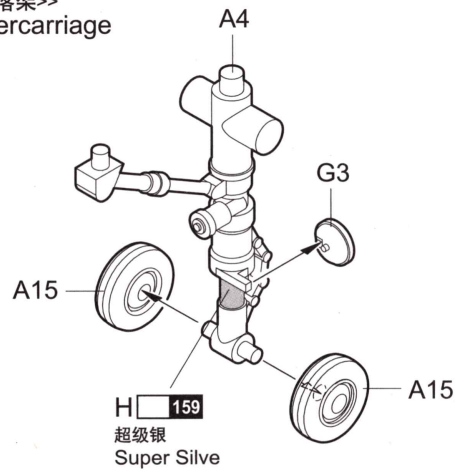
贴纸
Decal



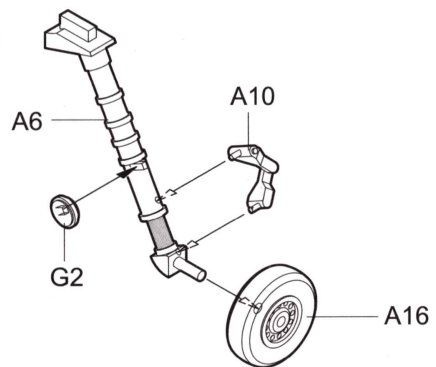
1



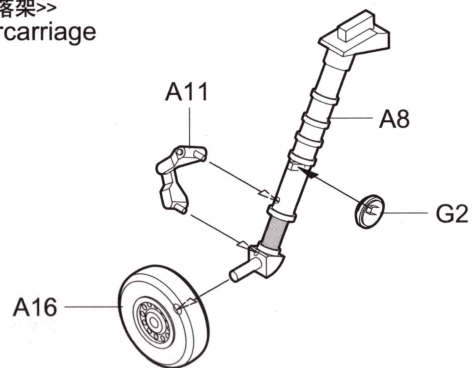
2 <<前起落架>>
Nose undercarriage



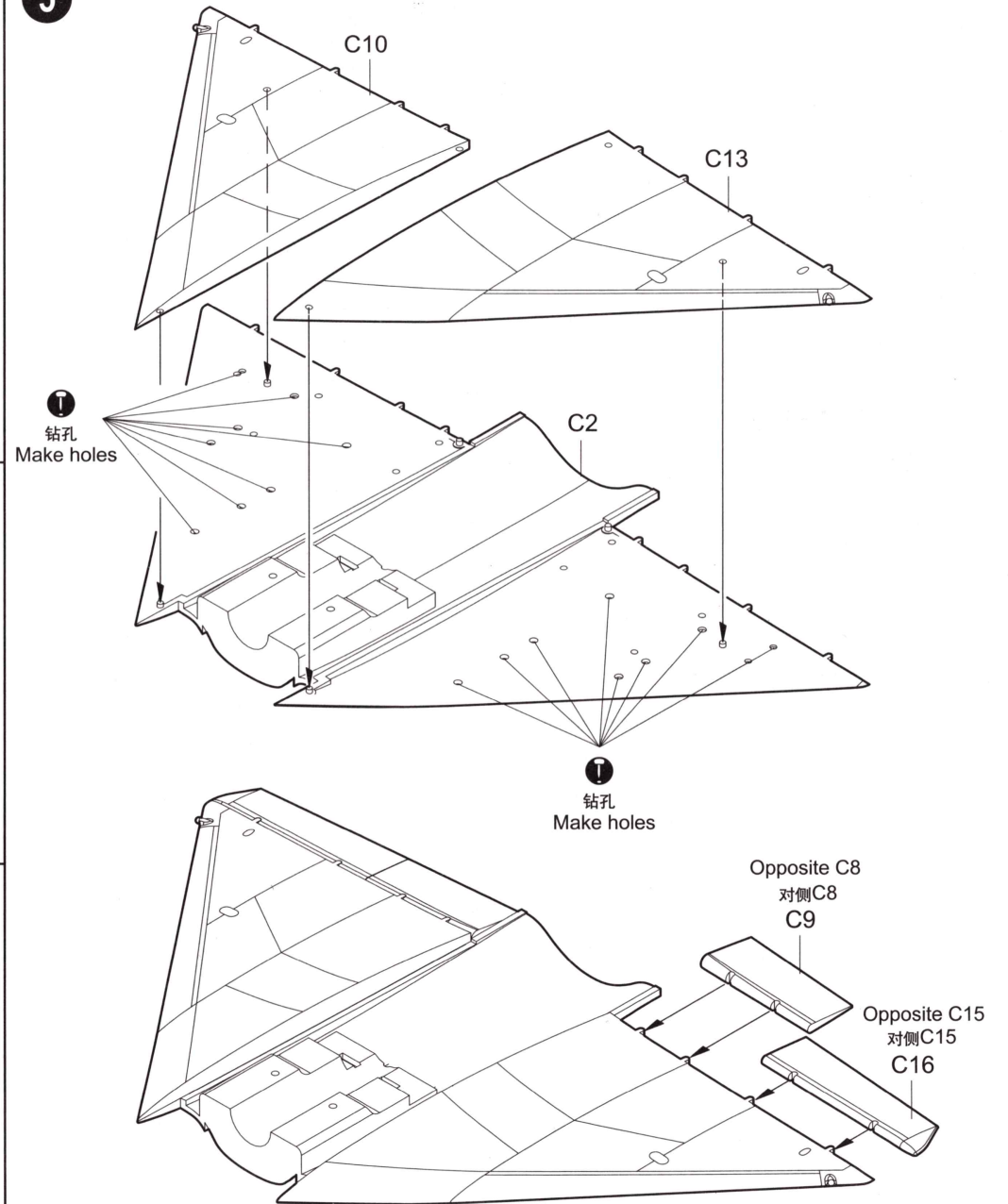
3 <<左侧起落架>>
Left undercarriage



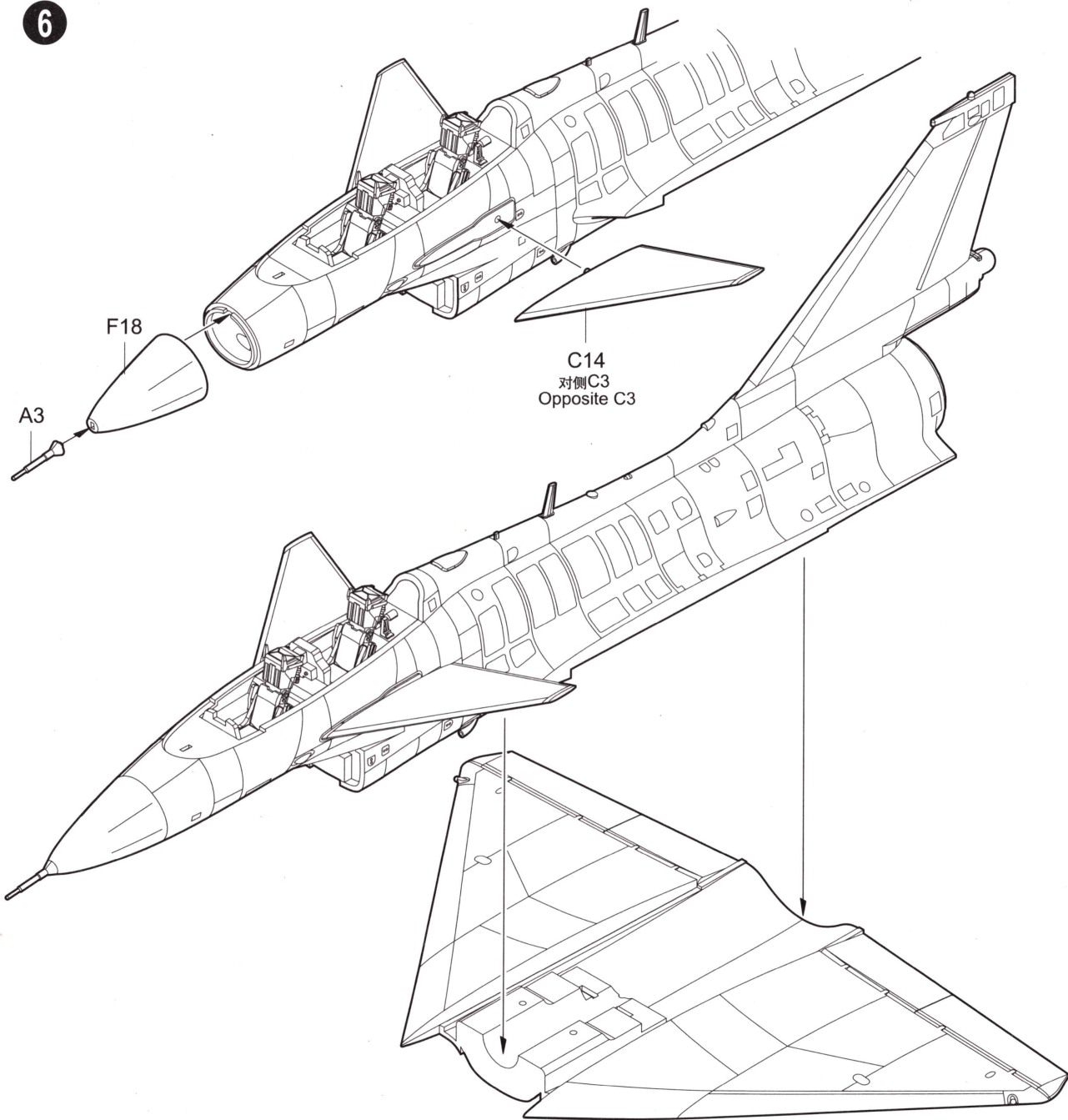
4 <<右侧起落架>>
Right undercarriage



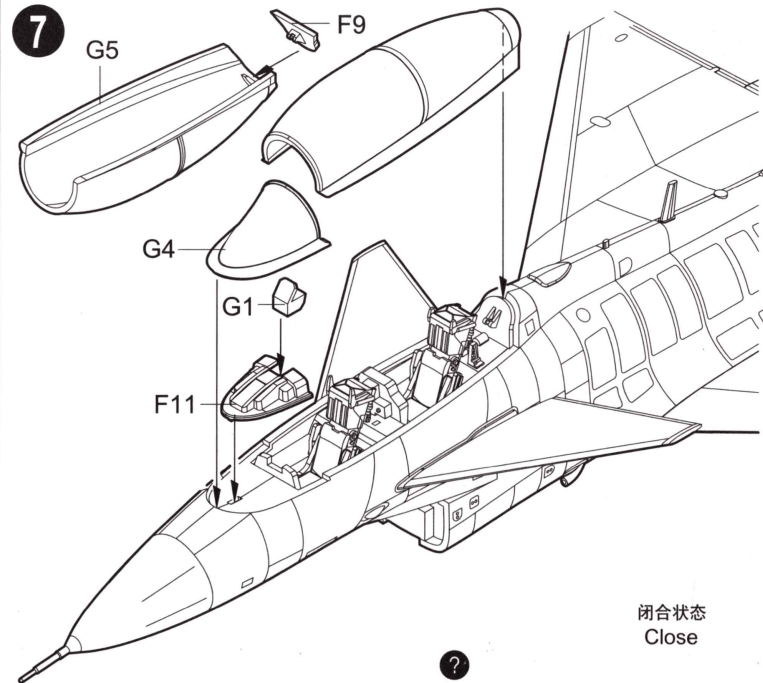
5



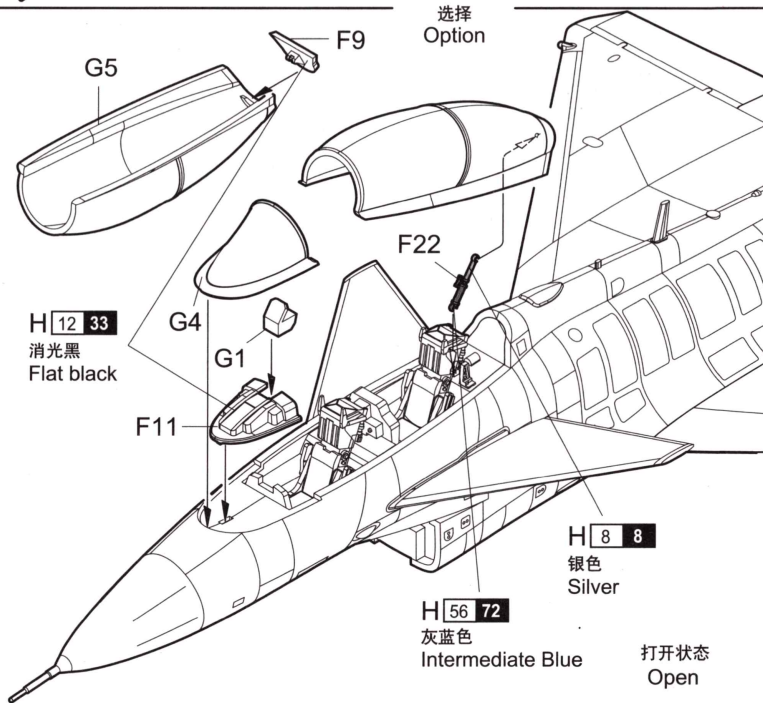
6



7

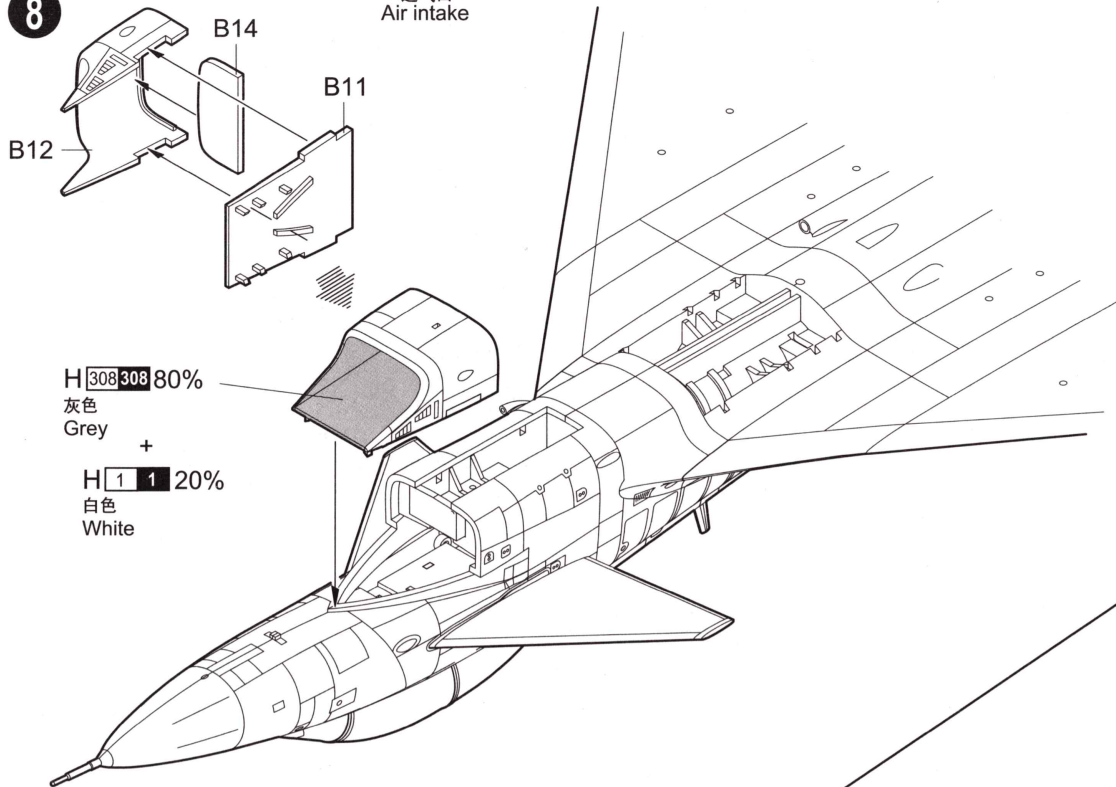


选择
Option

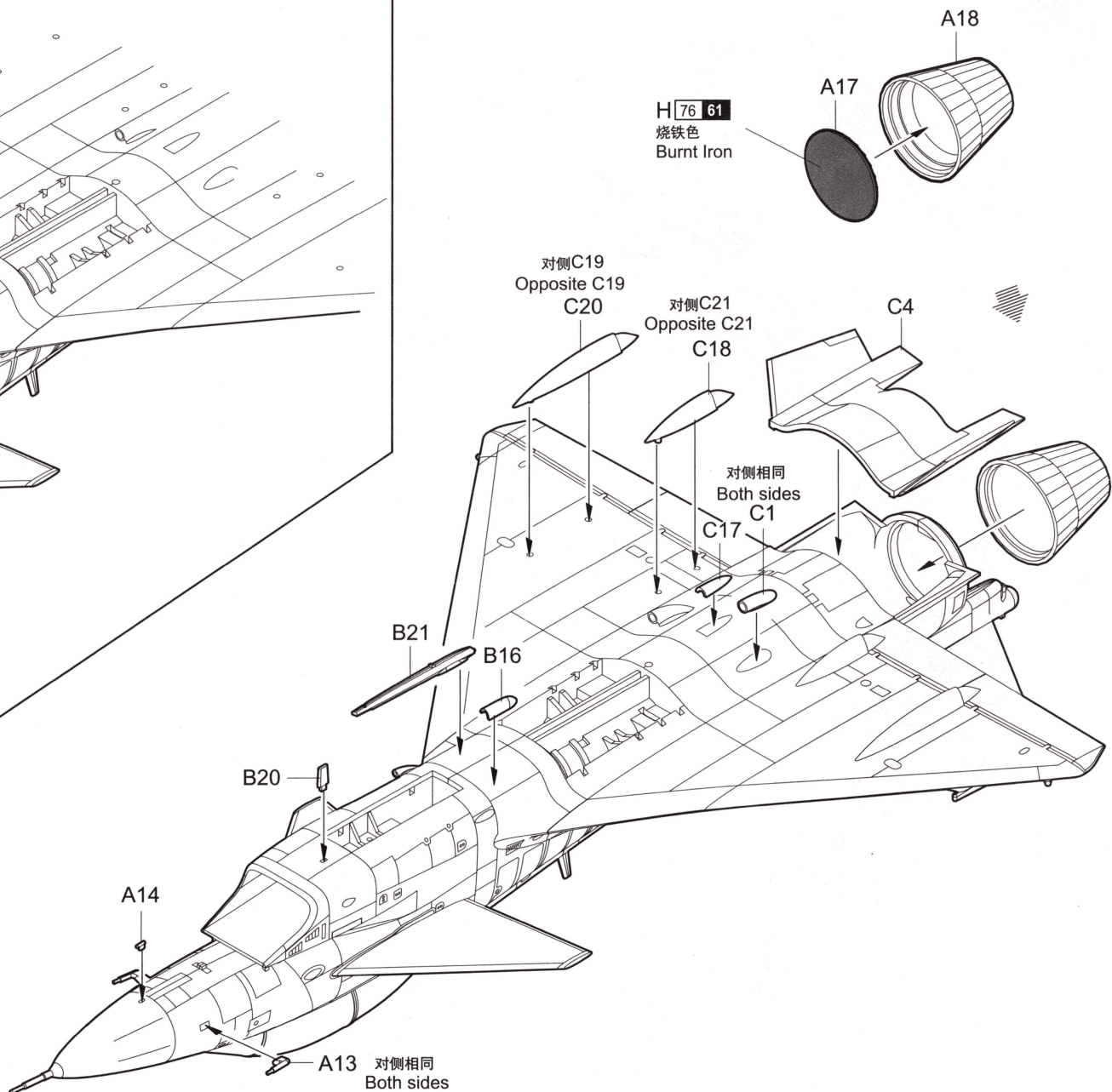


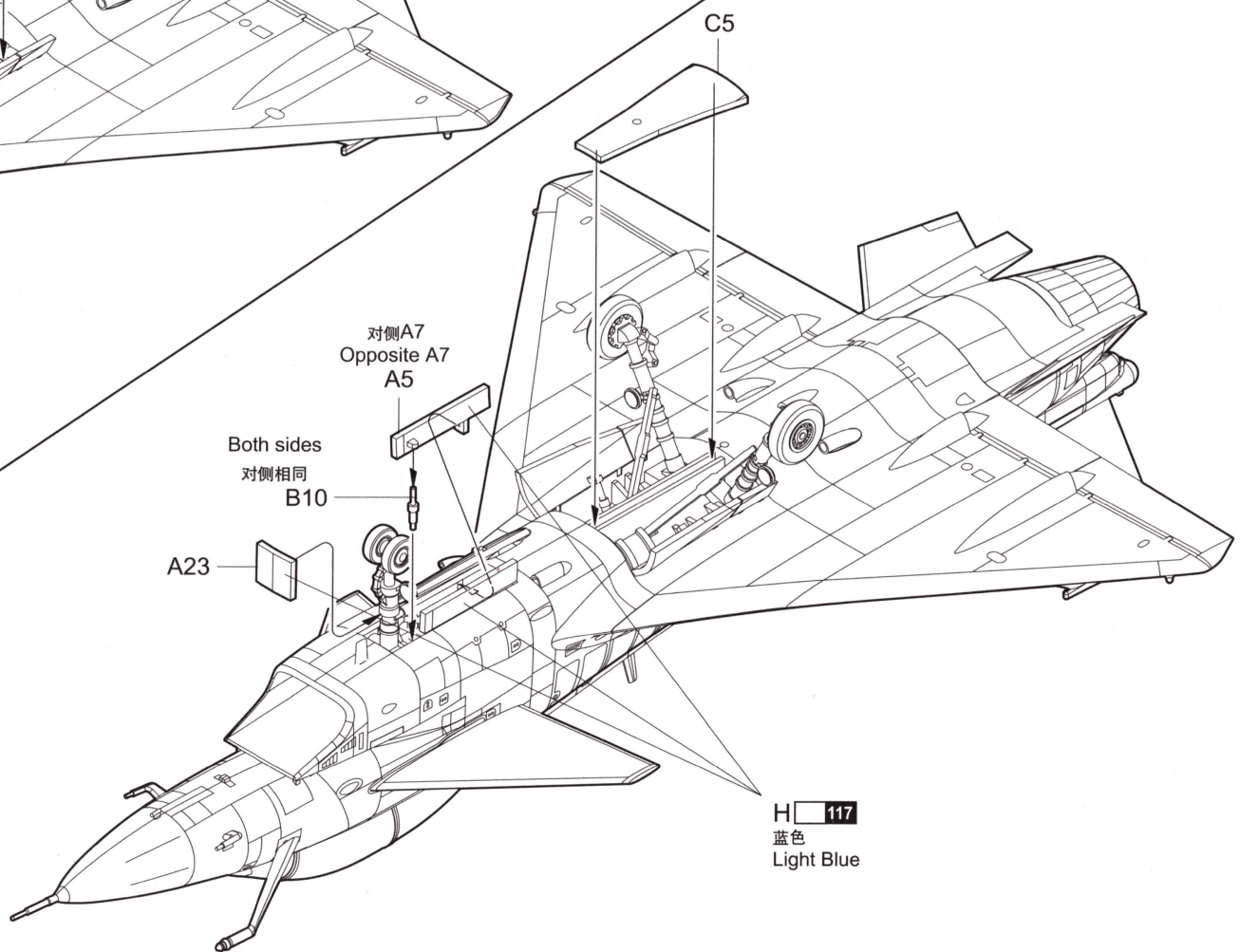
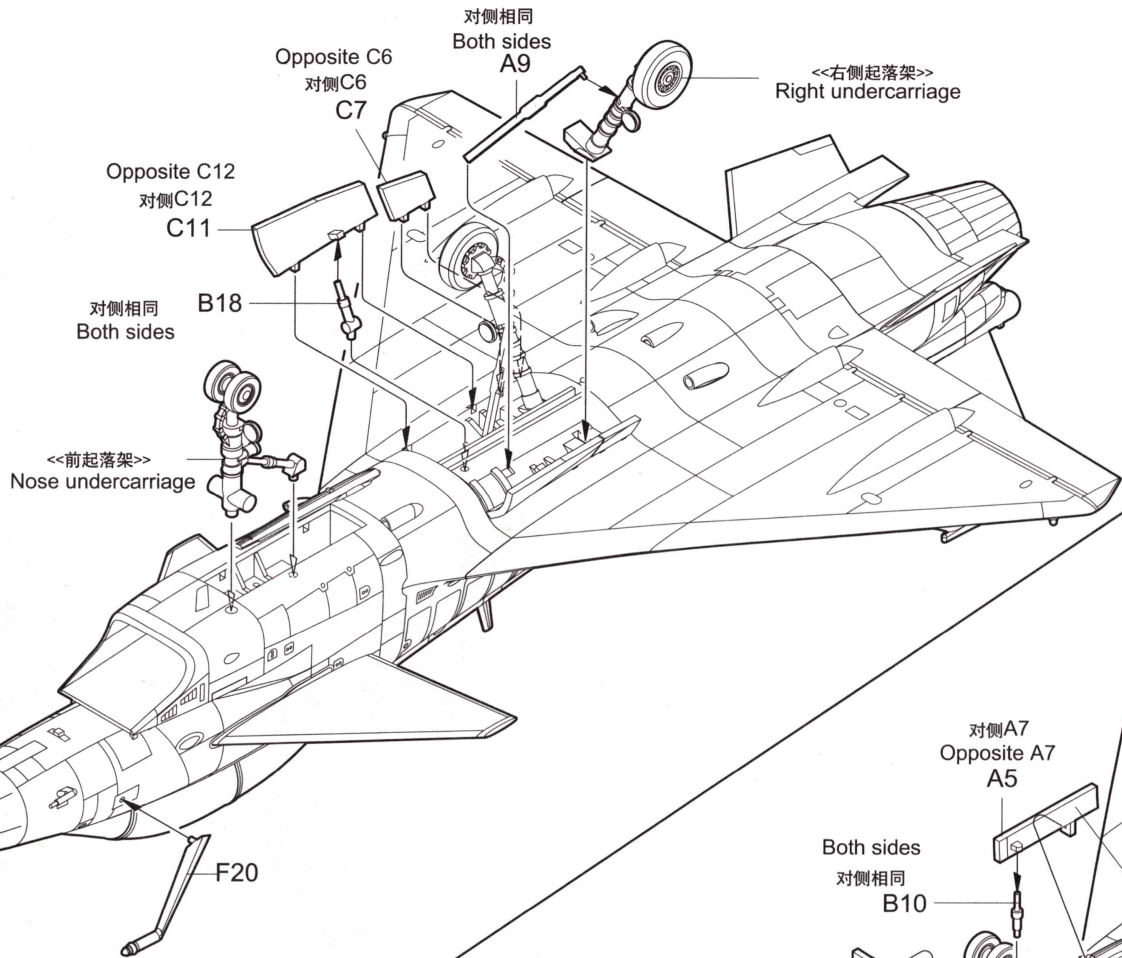
8

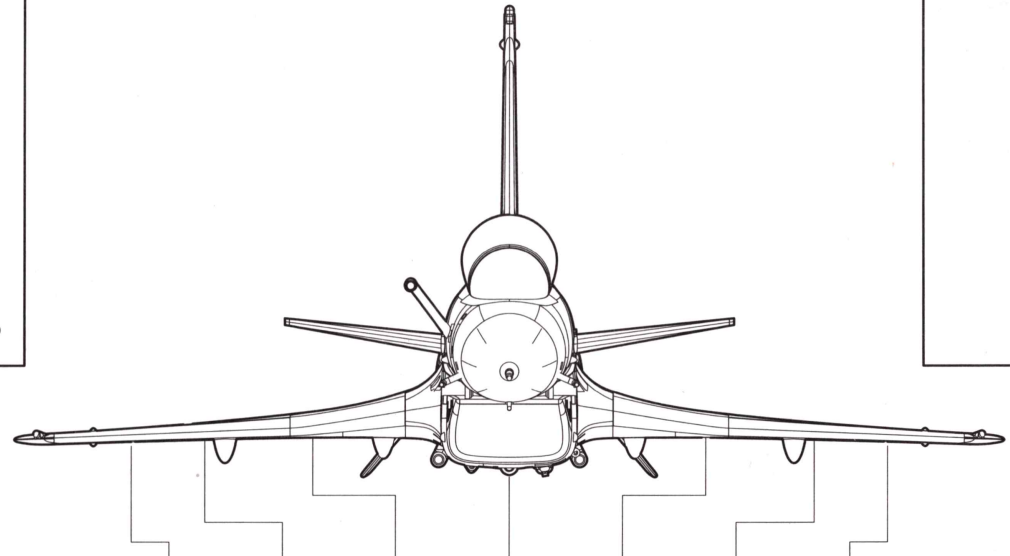
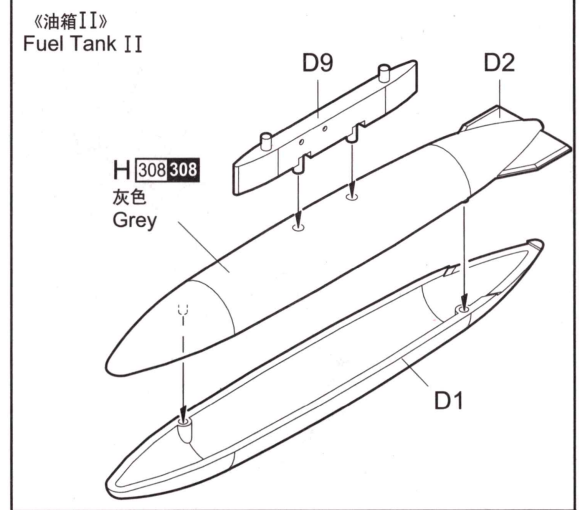
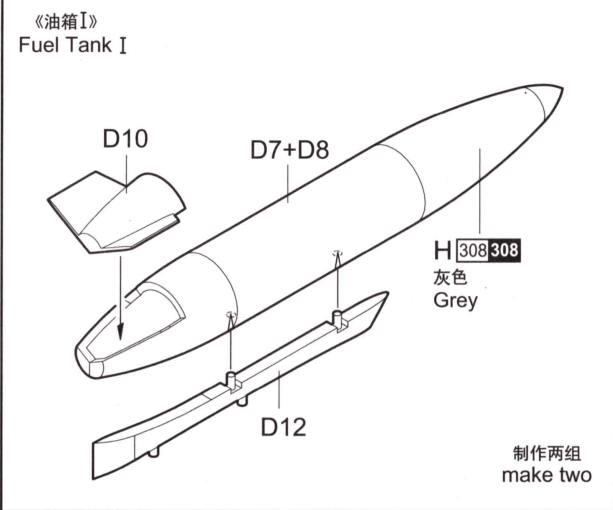
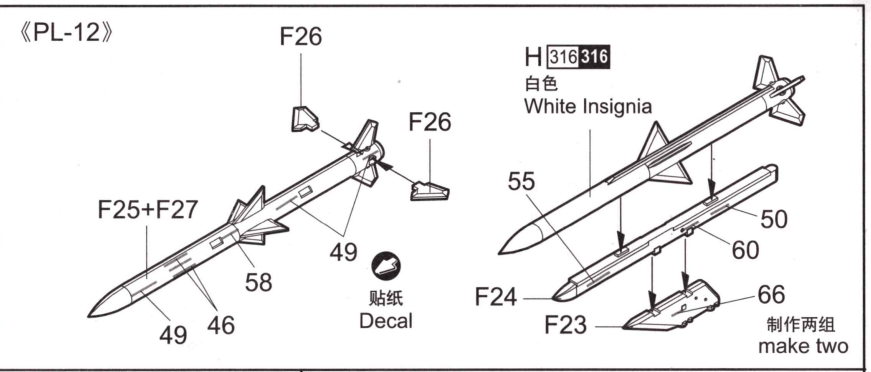
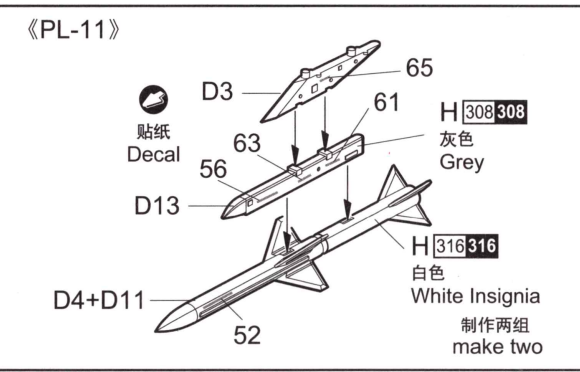
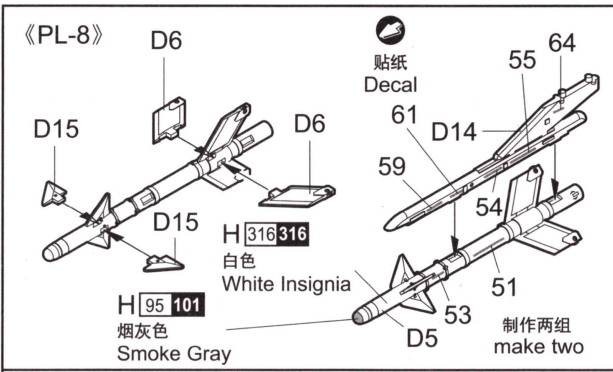
<<进气口>>
Air intake



9







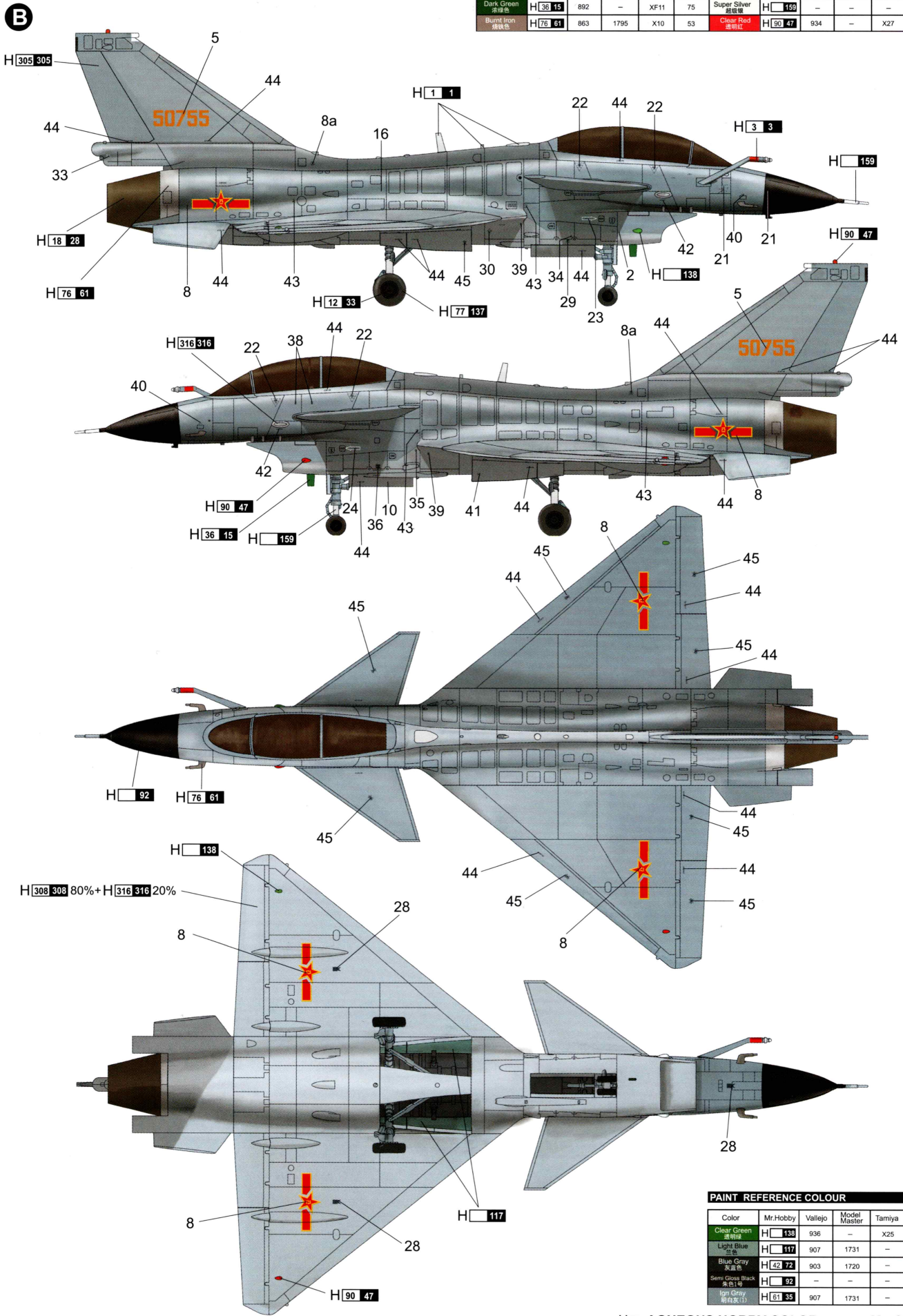
Sta.No.	1	2	3	4	5	6	7
Missile/Tank							
PL-8	●						●
PL-11			●		●		
PL-12		●				●	
Fuel Tank I			●		●		
Fuel Tank II				●			

涂装同标贴指示

Painting & Marking guide

PAINT REFERENCE COLOUR

Color	Mr.Hobby	Vallejo	Model Master	Tamiya	Humbrol	Color	Mr.Hobby	Vallejo	Model Master	Tamiya	Humbrol
White 白色	H 1 1	842	1745	X2	22	Tire Black 轮胎色	H 77 137	-	-	-	-
RED 红色	H 3 3	908	1503	X7	19	White Insignia 白色	H 516 316	991	1745	X2	22
Sleazy/Black 暗绿色	H 18 28	864	1402	-	-	Medium Gunship Grey 灰色	H 303 303	868	1723	XF58	125
Dark Green 深绿色	H 33 13	892	-	XF11	75	Super Silver 超银色	H 150	-	-	-	-
Burnt Iron 锈色	H 76 61	863	1795	X10	53	Clear Red 透明红	H 90 47	934	-	X27	-



PAINT REFERENCE COLOUR

Color	Mr.Hobby	Vallejo	Model Master	Tamiya	Humbrol
Clear Green 透明绿	H 133	936	-	X25	-
Light Blue 浅蓝色	H 117	907	1731	-	146
Blue Grey 灰蓝色	H 42 72	903	1720	-	144
Semi Gloss Black 亮黑色	H 92	-	-	-	-
Iron Grey 铁灰色	H 61 35	907	1731	-	146

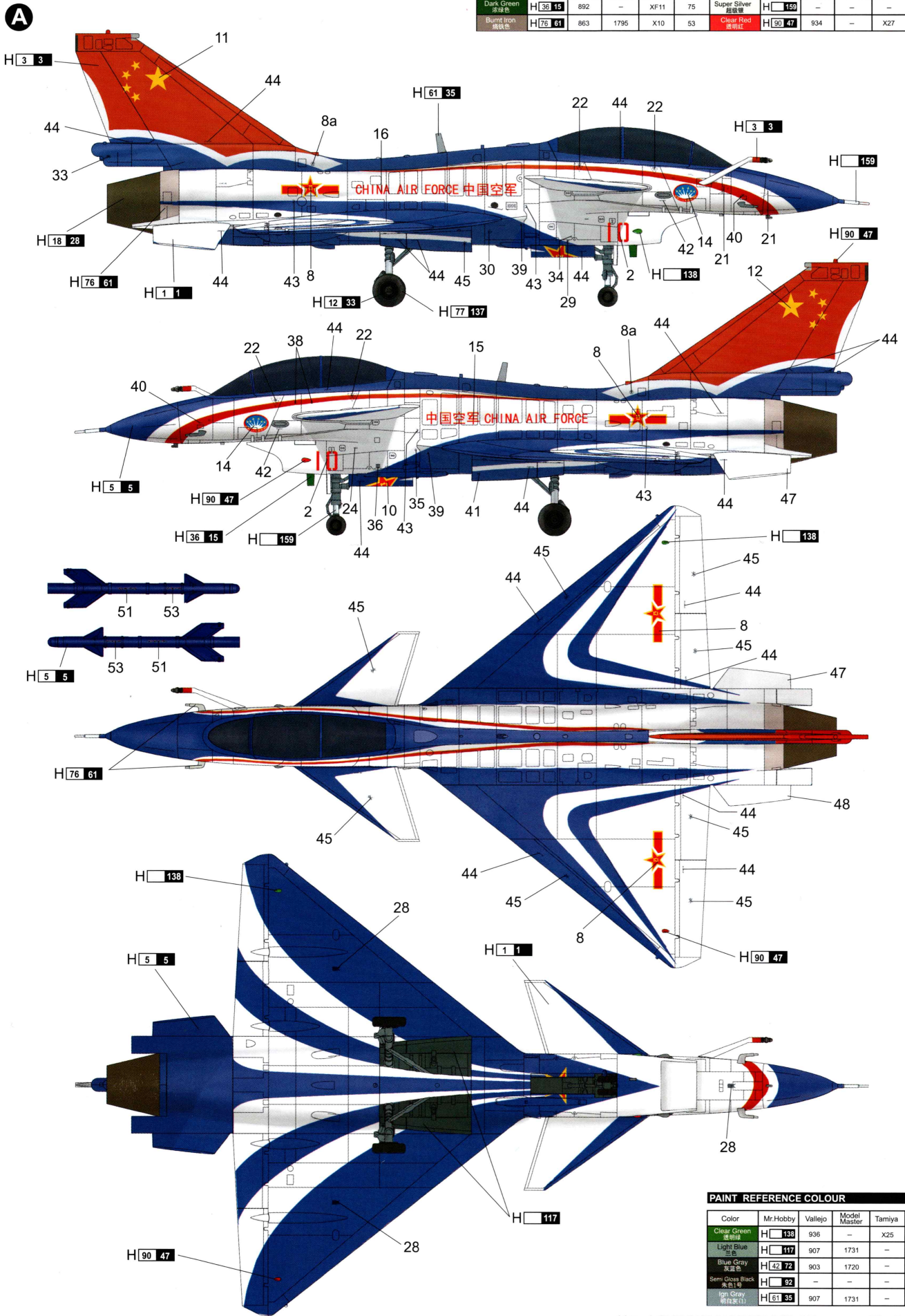
H ☒ AQUEOUS HOBBY COLOR ■ Mr. COLOR

涂装同标贴指示

Painting & Marking guide

PAINT REFERENCE COLOUR

Color	Mr.Hobby	Vallejo	Model Master	Tamiya	Humbrol	Color	Mr.Hobby	Vallejo	Model Master	Tamiya	Humbrol
White 白色	H 1 1	842	1745	X2	22	Tire Black 胎黑色	H 77 137	-	-	-	-
RED 红色	H 3 3	908	1503	X7	19	White Insignia 白色	H 318 318	991	1745	X2	22
Stealth black 黑铁色	H 18 28	864	1402	-	-	Metallic Grey 灰色	H 303 303	868	1723	XF58	125
Dark Green 深绿色	H 38 18	892	-	XF11	75	Super Silver 超银	H 159	-	-	-	-
Burnt Iron 烧铁色	H 78 61	863	1795	X10	53	Clear Red 透明红	H 90 47	934	-	X27	-



PAINT REFERENCE COLOUR

Color	Mr.Hobby	Vallejo	Model Master	Tamiya	Humbrol
Clear Green 透明绿	H 133	936	-	X25	-
Light Blue 浅蓝色	H 117	907	1731	-	146
Blue Gray 灰蓝色	H 42 72	903	1720	-	144
Sem Gloss Black 半光泽黑	H 92	-	-	-	-
Ign Gray 银灰色(1)	H 81 35	907	1731	-	146

H ☒ AQUEOUS HOBBY COLOR

■ Mr. COLOR