



IAI Finger

K 072102

1/72 Scale Model Construction Kit

HISTORY

The Dassault Mirage is one of the most successful French aircraft designs of the post-war era, and an outstanding third generation jet fighter. The Mirage III prototype first flew in 1956 benefitting greatly from the work done on the experimental Fairey FD-2 Delta. It entered service with the French Air Force in 1961.

Following the experience operating the Mirage IIIC in the Middle East, the Israeli Air Force requested a new version from Dassault that had improved range and payload. Before they could be delivered the French government imposed an arms embargo. The Israelis later covertly obtained some aircraft, copies of the blueprints and began production locally as the Nesher (Eagle). Between 1969-1971 51 Nesher S aircraft were delivered.

The Nesher was phased out in Israeli service by the improved Kfir, and the remaining aircraft were refurbished and sold to Argentina. 35 were delivered between 1978 and 1980 and they served in the Fuerza Aérea Argentina as the Dagger A.

The FAA Dagger squadrons saw active service during the Falklands / Malvinas War when the British Task Force arrived at the islands.

Following discussions between the FAA and Israel Aircraft Industries, a ground attack upgrade based on the Israeli Kfir but retaining the SNECMA engine was developed. These fitted new French & Israeli avionics and had the distinctive "Kfir" style nose. The aircraft were converted in batches and renamed Finger. One airframe (C-408) was upgraded as Finger I, two as Finger II (C-405 & C-427) and remainder of the surviving Daggars as Finger III.

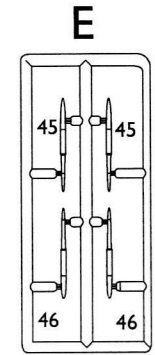
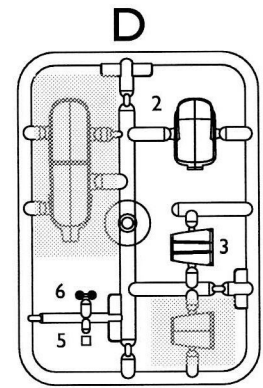
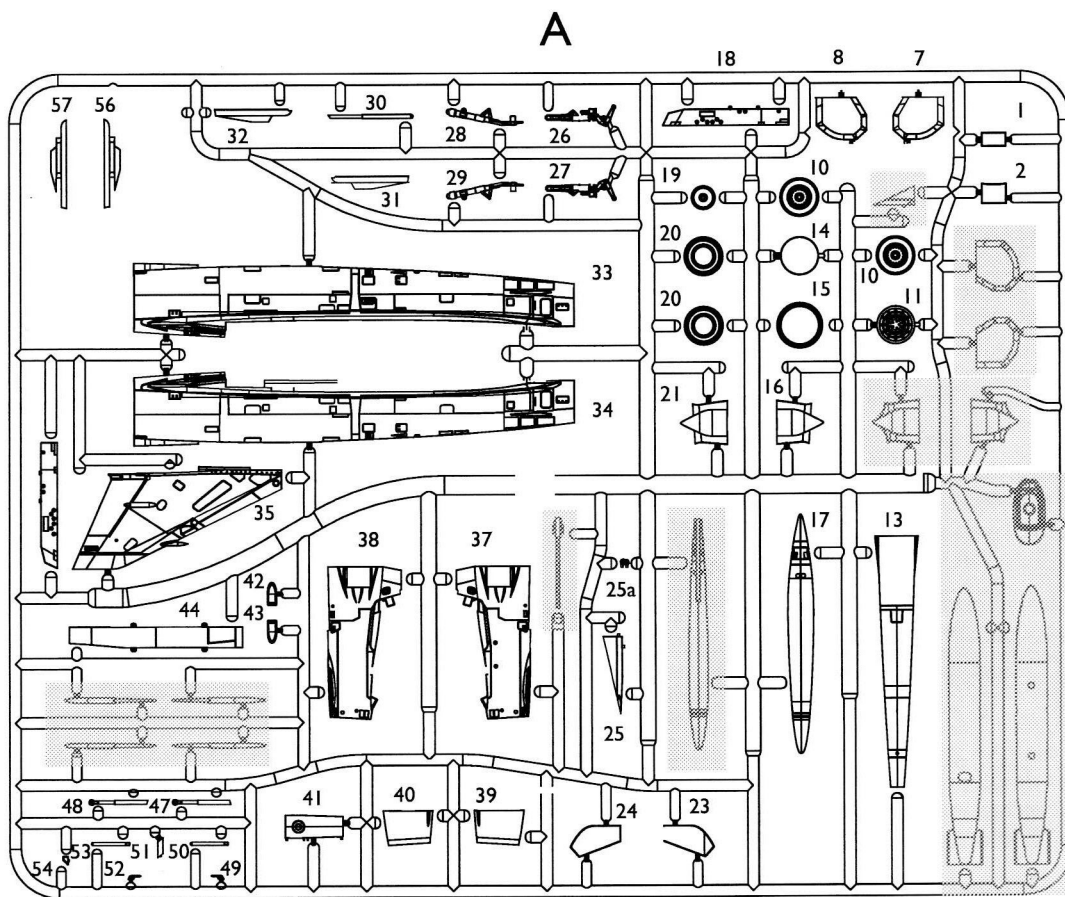
The Finger aircraft have been continuously upgraded since completion with newer systems.

This kit includes three decal options from the FAA, all from Escuadron I, Grupo 6 de Caza at Tandil Air Base.

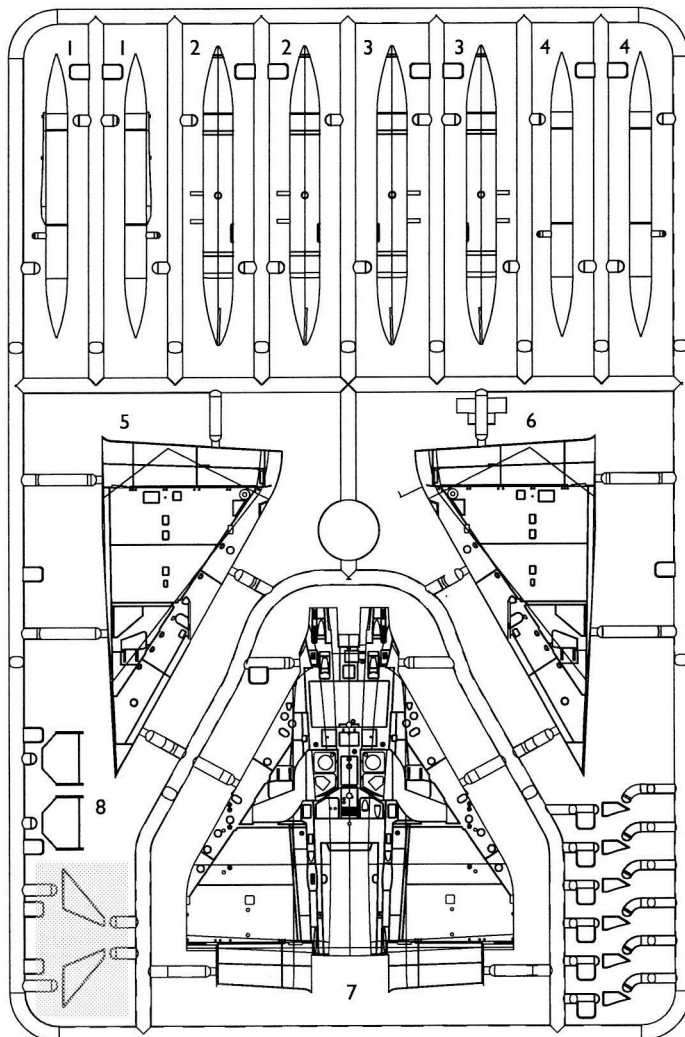
COLOUR TABLE

KEY	COLOUR	SPECIFICATIONS	APPROXIMATE MATCH					
			GUNZE MR COLOR	HUMBROL	MODELMASTER	REVELL	TAMIYA	XTRACOLOR
A	BLACK		H2	21	1747	32107	X-01	X12
B	FOREST GREEN	~ RAL 6015 ~ FS 595A 34079	H73	116 / 75	1710	32165	XF-13	X110
C	GREEN	~ RAL 6003 ~ FS 595A 34102	H303	117	1713	32145	XF-58	X116
D	TAN	~ RAL 1019 ~ FS 595A 30219	H310	118 / 93	1742	32382	XF-52	X102
E	ALUMINIUM PAINT		H8	56	1781	32199	XF-16	-
F	STEEL		H18	53	1780	32191	XF-56	-
G	CLEAR RED		H90	91321	4630	-	X-27	-
H	GREY	~ RAL 7047 ~ FS 595A 36622	H311	99 / 28	1733	-	-	-
I	RANDOMETAN		H318	148	1709	-	-	X107
J	LIGHT GREY	~ FS 595A 36495	H338	147	1732	32371	~XF-14	-
K	WHITE		H11	34	1768	32105	XF-02	X405
L	MID GREY (mixed)	~ FS 595A 36320 ~ FS 595A 36375	H307 H308	128 127	1741 1728	-	-	X135 X136

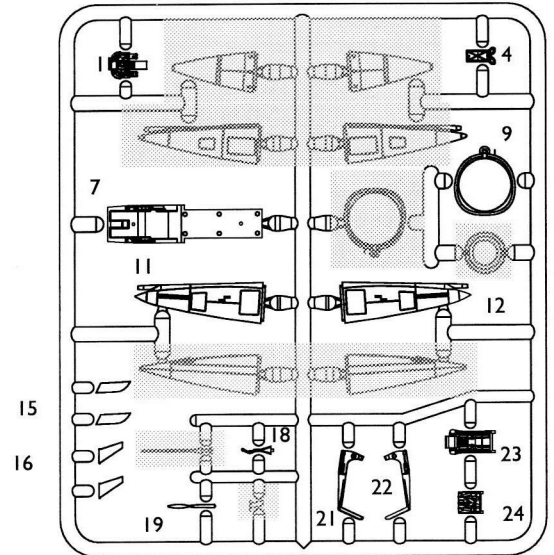
The FAA Daggars are finished in matt/low sheen colours. They were painted in Israel prior to delivery where RAL equivalents of the FS colours were applied and refurbished on arrival with locally sourced paint. When upgraded to Finger standard the aircraft were repainted again with locally sourced paints.



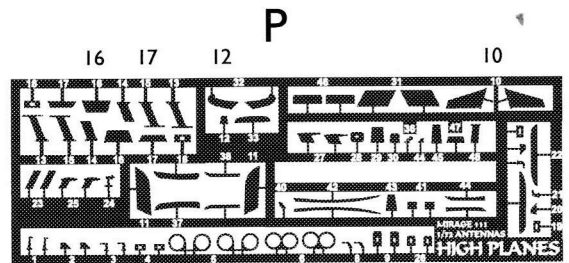
B



C



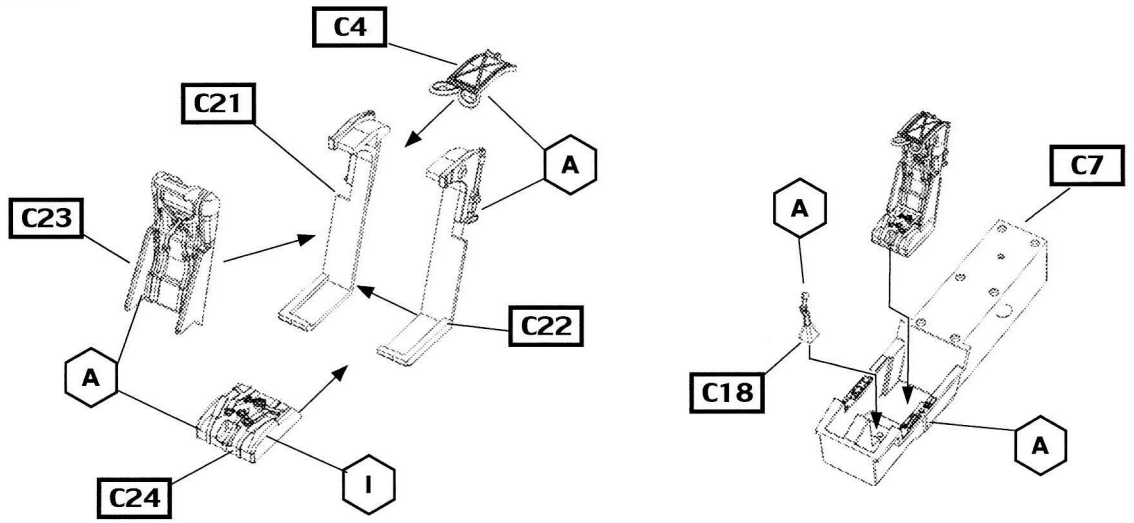
P



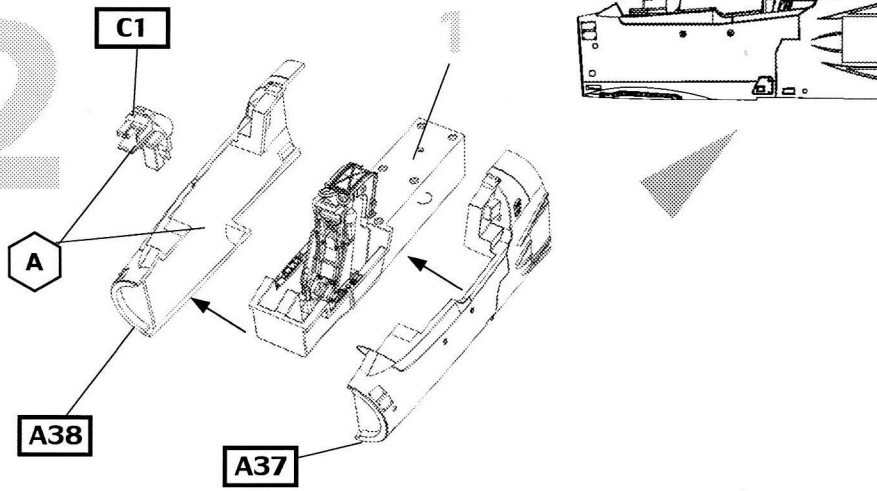
Full instructions for the Mirage photo etch set is available on the HPM Hobbies website. The instruction link is on the product page for HPA072007 Mirage Antennae Set.

CONSTRUCTION

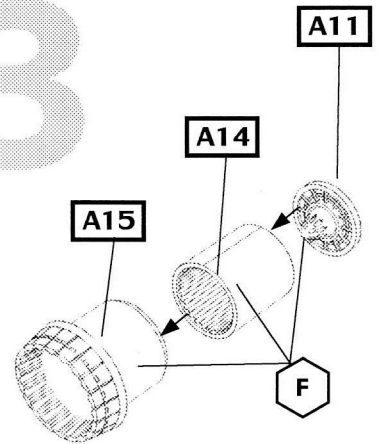
1



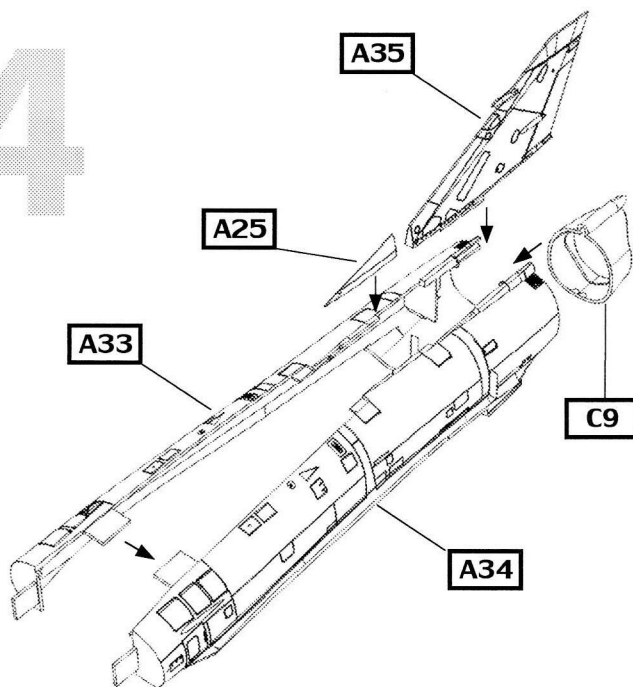
2



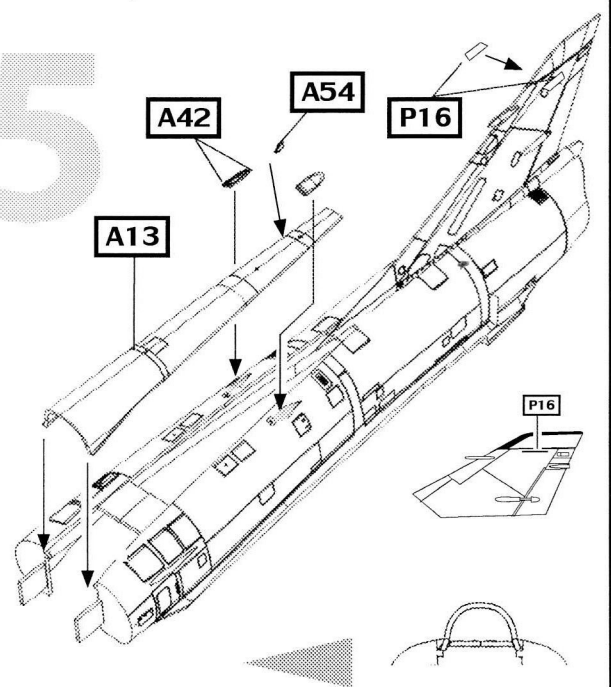
3



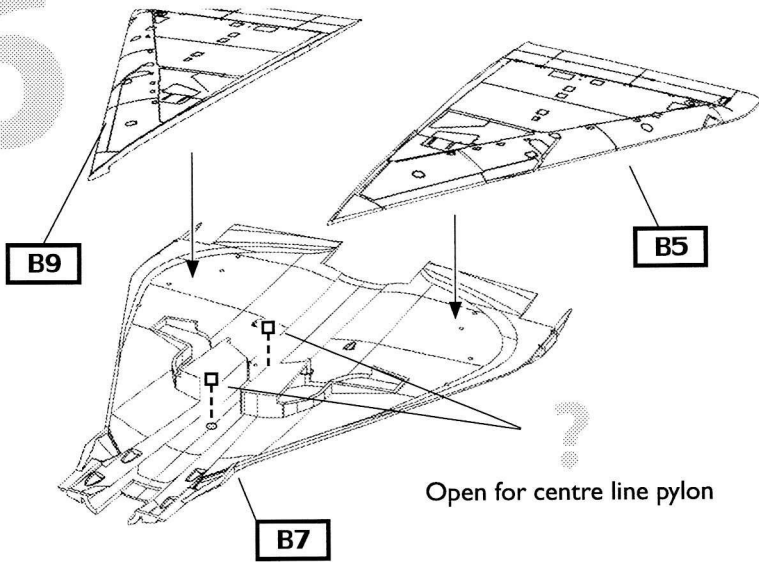
4



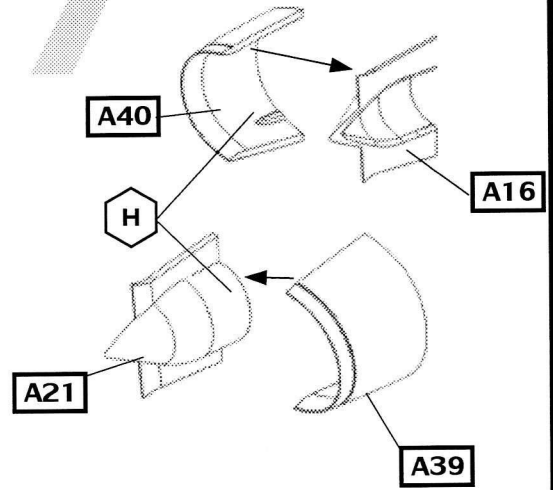
5



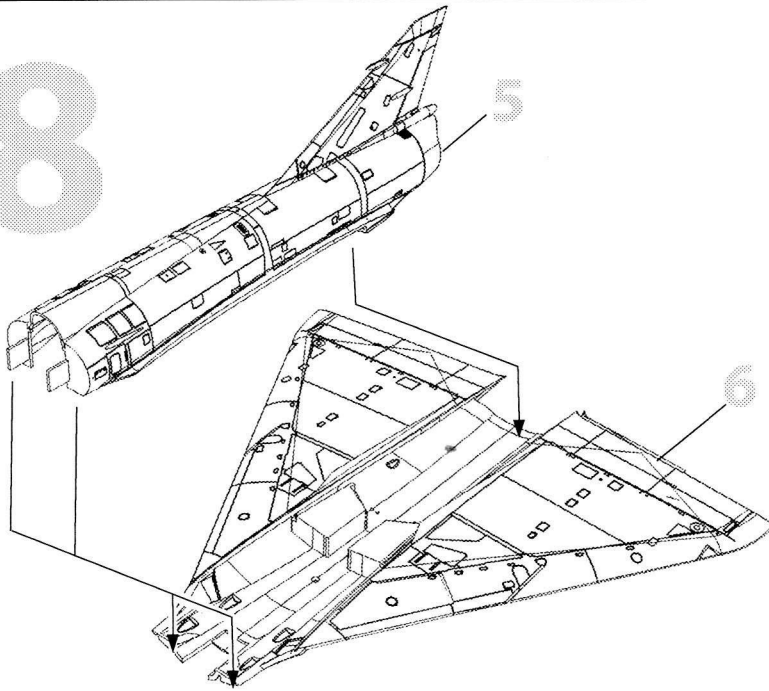
6



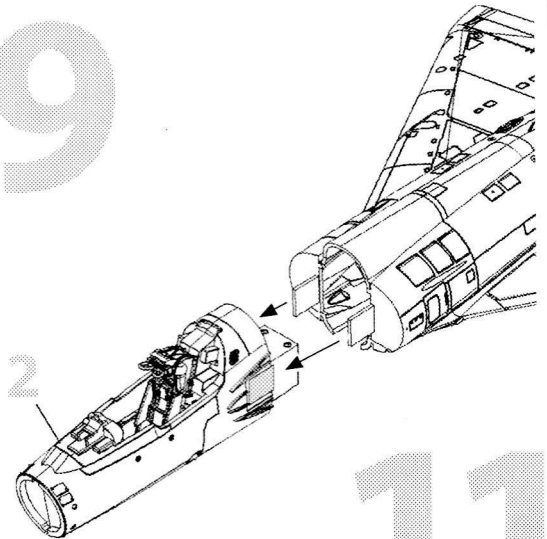
7



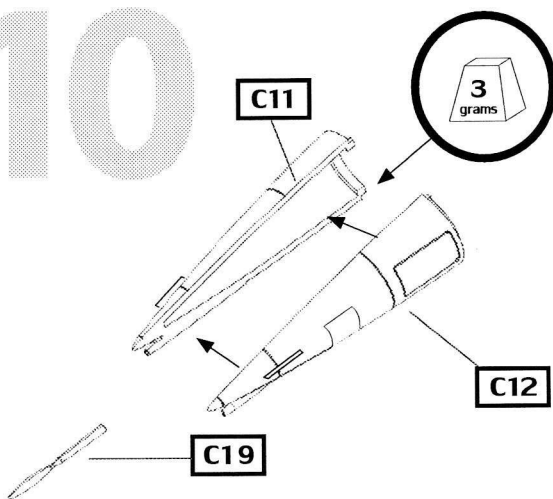
8



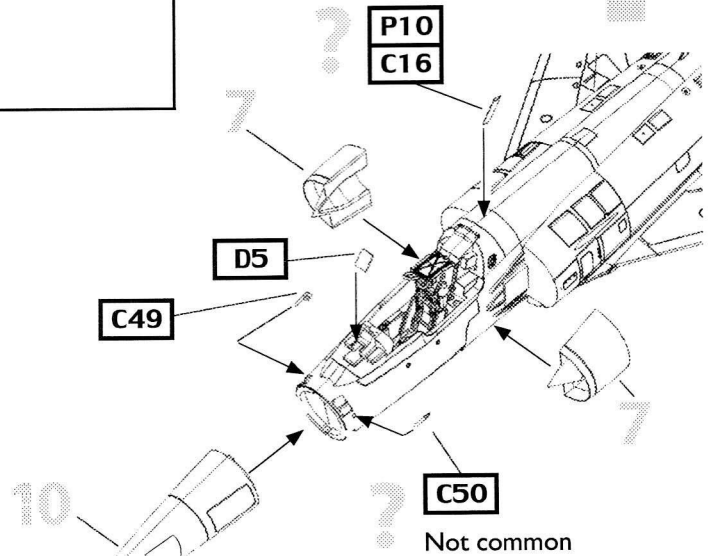
9



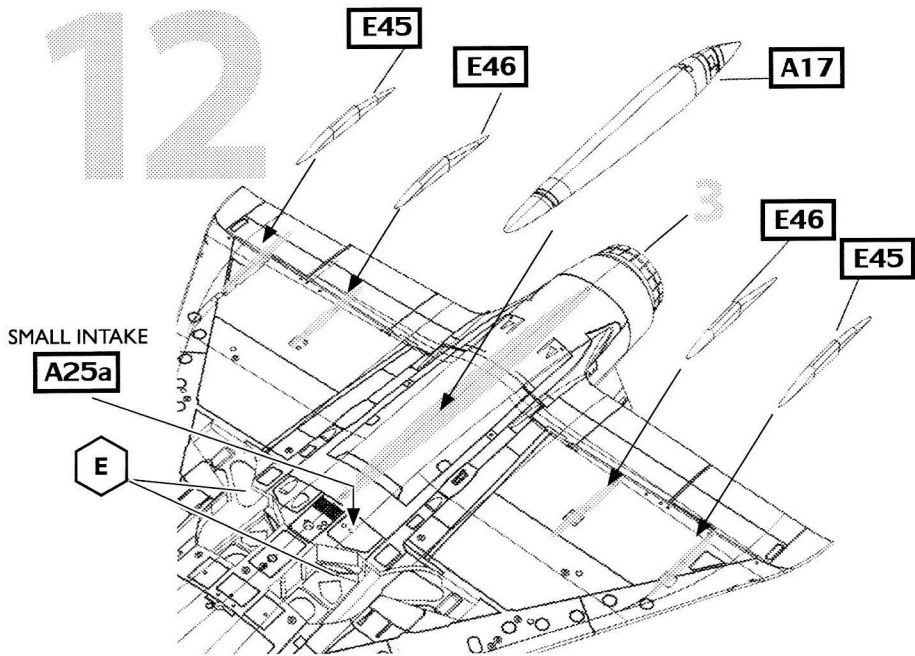
10



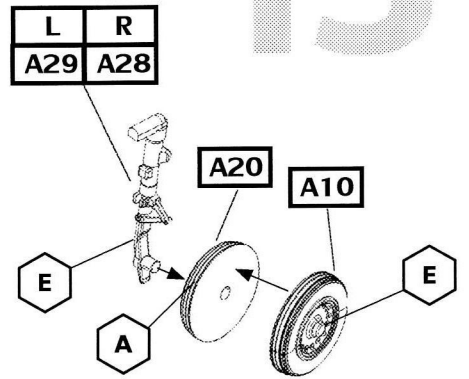
P10
C16



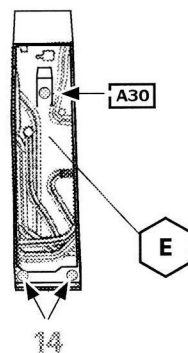
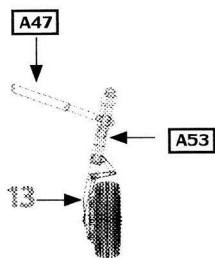
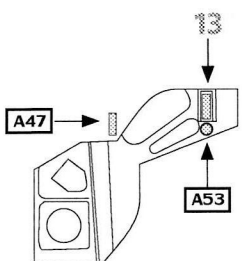
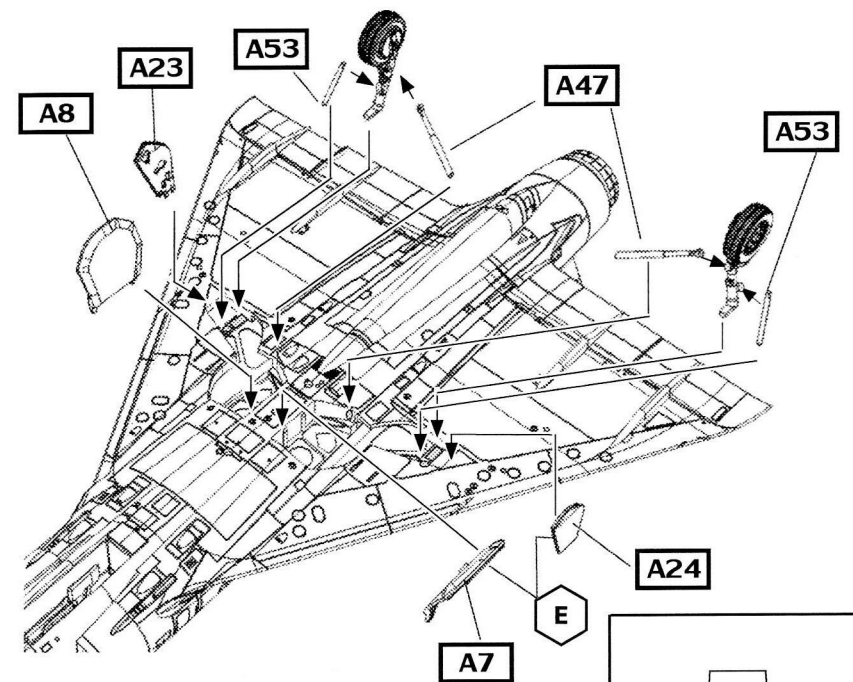
12



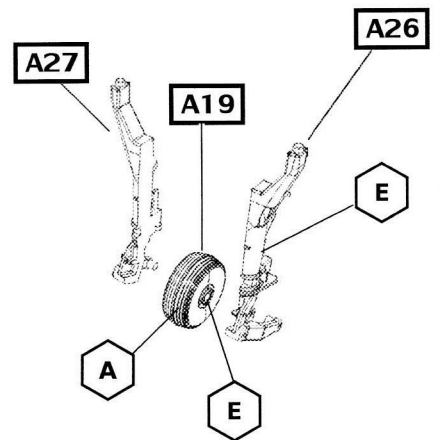
13



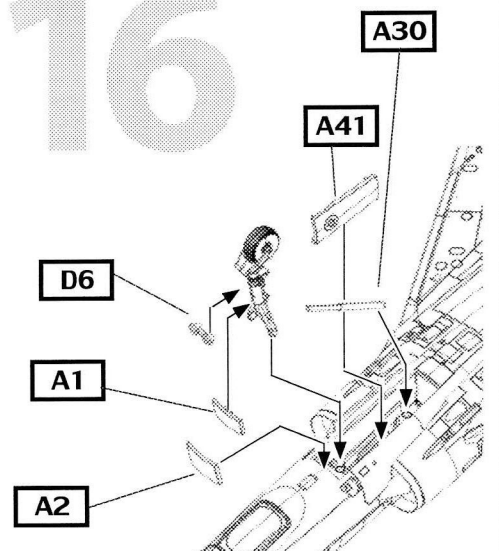
15



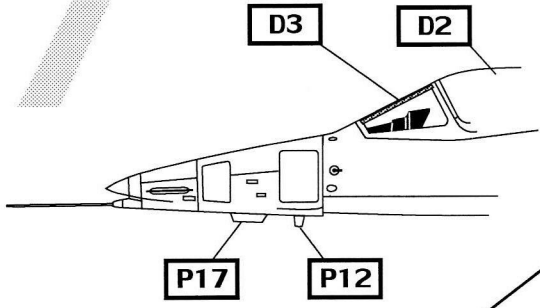
14



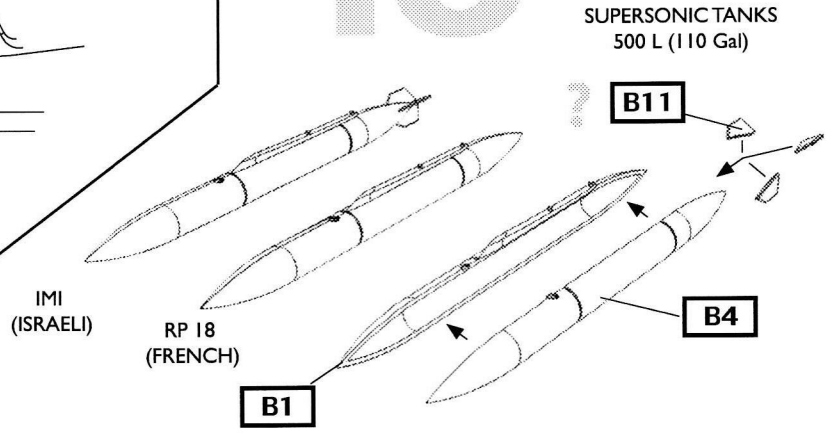
16



17

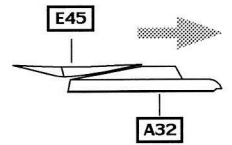
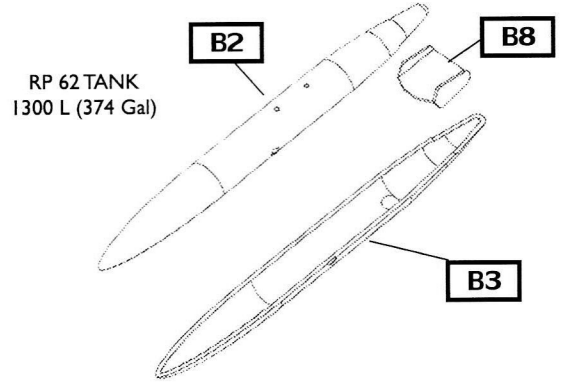
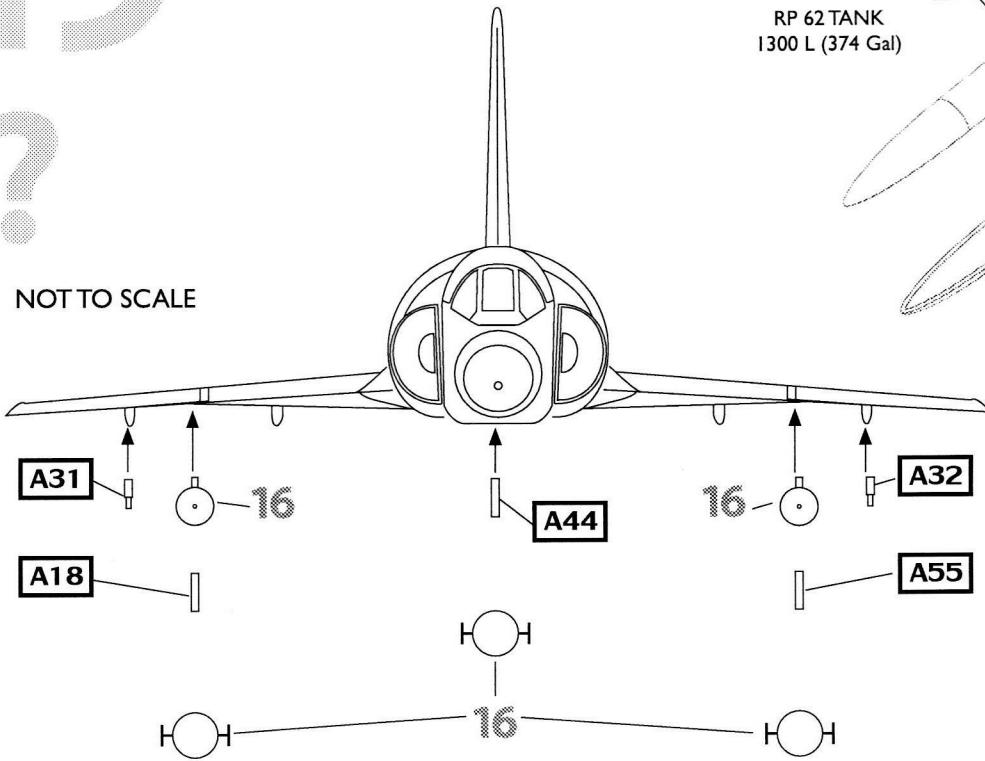


18



19

NOT TO SCALE



STORES NOT INCLUDED - FOR INFORMATION ONLY

MATRA MAGIC I
AIM-9P/L/M



BRP 250
PG 125
FAS250
Bomb

Mk 17 1000lb Bomb x 1
ExPal BRP 250 Bomb x 2
Tala SA PG125 Bomb x 2
SITEA FAS 250 Bomb x 2

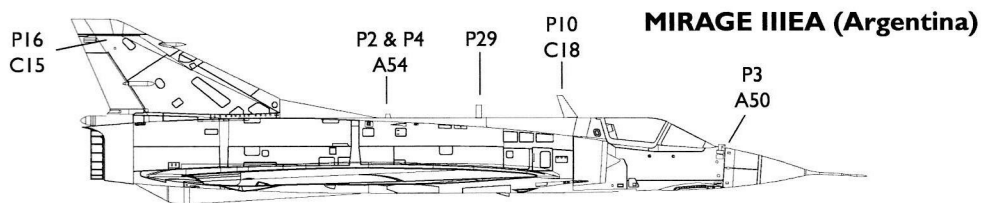
RP30 TANK
1700 L (449 Gal)

BRP 250
PG 125
FAS250
Bomb

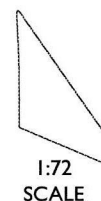
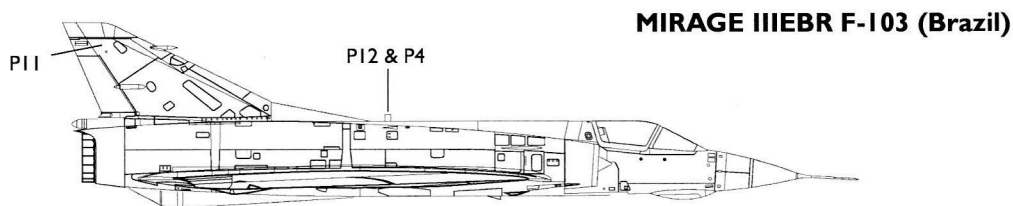
MATRA MAGIC I
AIM-9P/L/M



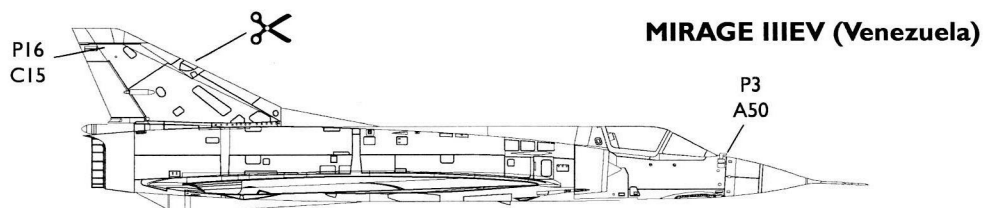
The parts included in this High Planes kit can be used to make many other versions of the Dassault Mirage III/5/50 family. This guide gives information on the appropriate parts. If the parts are not included, they are marked [S] and notes are given.



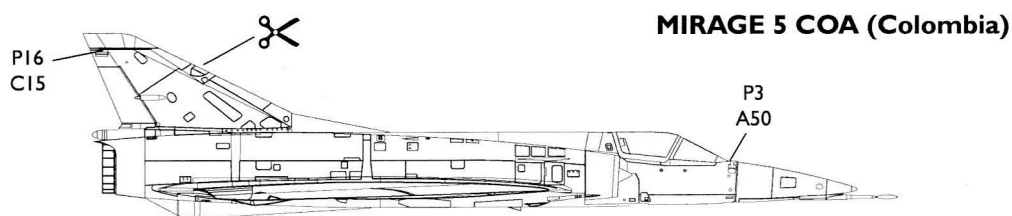
NOSE	C2, C4	FIN	A25	MAIN DOORS	A3,A4	BELLY TANK	A17	CANARD	-
PROBE	C17	INTAKE	A16,A21	WIND SHIELD	D3	DOPPLER	-		
NOTES									



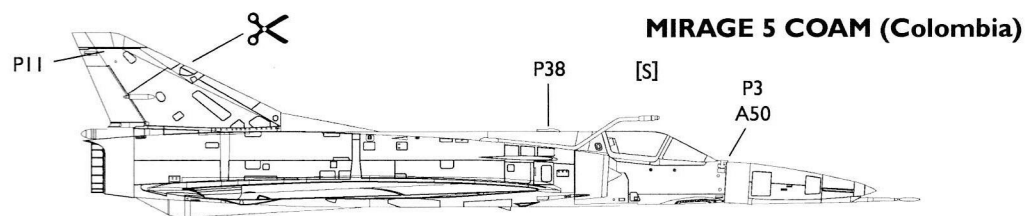
NOSE	C2, C4	FIN	A25	MAIN DOORS	A3,A4	BELLY TANK	A17	CANARD	[S]
PROBE	C17	INTAKE	A16,A21	WIND SHIELD	D3	DOPPLER	A6		
NOTES	The aircraft were later fitted with canards. These can be made by modifying parts B9, B10								



NOSE	C2, C4	FIN	A25	MAIN DOORS	A3,A4	BELLY TANK	A17	CANARD	-
PROBE	C17	INTAKE	A16,A21	WIND SHIELD	D3	DOPPLER	-		
NOTES									

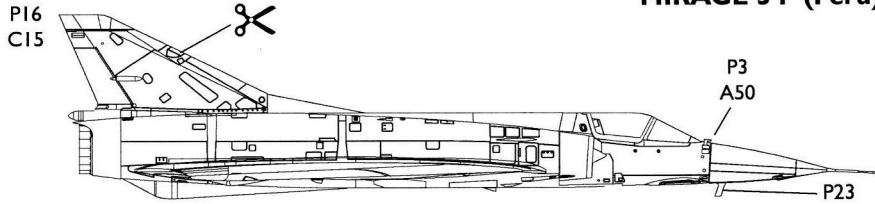


NOSE	C5, C6	FIN	A25	MAIN DOORS	A3,A4	BELLY TANK	A17	CANARD	-
PROBE	C19	INTAKE	A16,A21	WIND SHIELD	D3	DOPPLER	-		
NOTES									



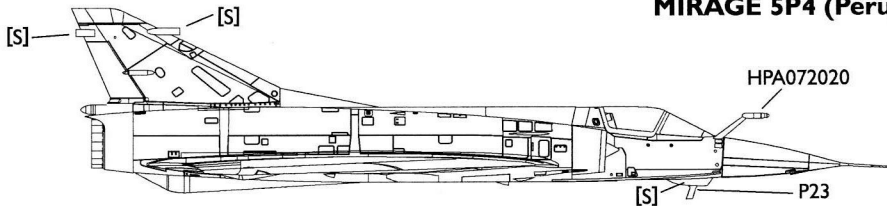
NOSE	C8, C11, C12	FIN	A25	MAIN DOORS	A3,A4	BELLY TANK	A17	CANARD	[S] B9, B10
PROBE	C19	INTAKE	A16,A21	WIND SHIELD	D3	DOPPLER	-		
NOTES	AIR TO AIR REFUEL PIPE [S]								

MIRAGE 5 P (Peru)



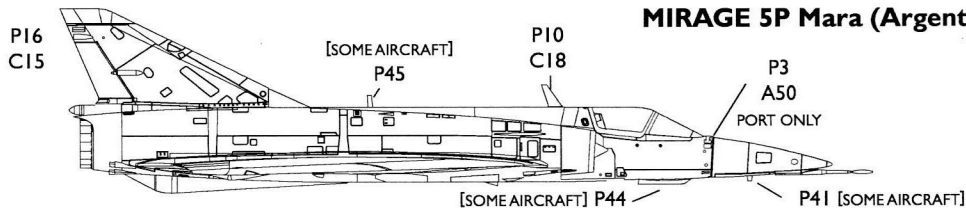
NOSE	C13, C14	FIN	A25	MAIN DOORS	A3,A4	BELLY TANK	A17	CANARD	-
PROBE	C19	INTAKE	A16,A21	WIND SHIELD	D3	DOPPLER	-		
NOTES									

MIRAGE 5P4 (Peru)



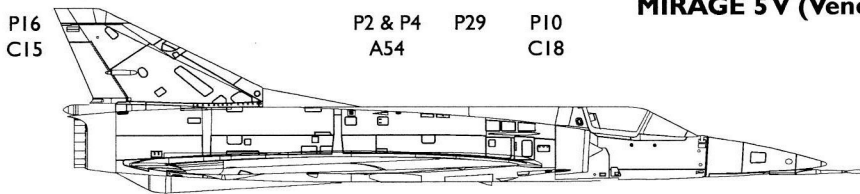
NOSE	C13, C14	FIN	A25	MAIN DOORS	A3,A4	BELLY TANK	A17	CANARD	-
PROBE	C19	INTAKE	A16,A21	WIND SHIELD	D3	DOPPLER	-		
NOTES	FUEL PROBE: HPA072020. TAIL RWR [S]. LASER [S]								

MIRAGE 5P Mara (Argentina)



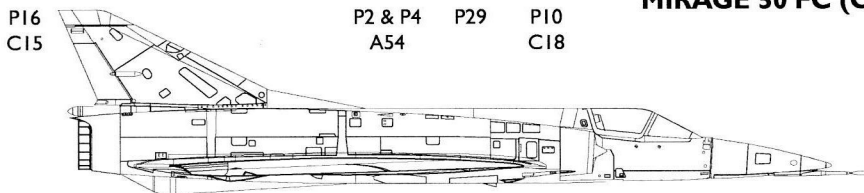
NOSE	C5, C6	FIN	A25	MAIN DOORS	A3,A4	BELLY TANK	A17	CANARD	-
PROBE	C19	INTAKE	A16,A21	WIND SHIELD	D3	DOPPLER	-		
NOTES									

MIRAGE 5V (Venezuela)



NOSE	S: [C13, C14]	FIN	A25	MAIN DOORS	A3,A4	BELLY TANK	A17	CANARD	-
PROBE	C19	INTAKE	A5,A12	WIND SHIELD	D3	DOPPLER	-		
NOTES									

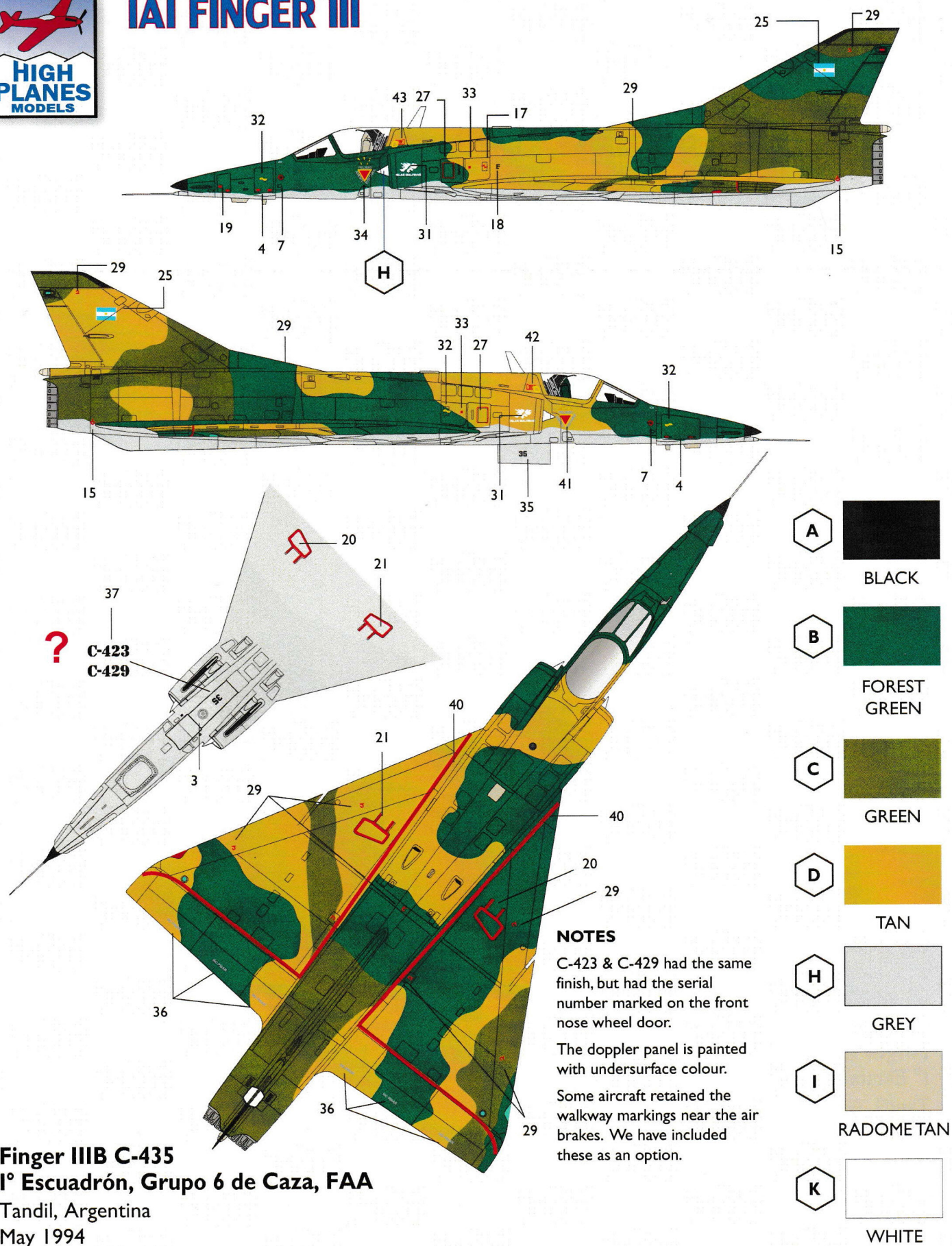
MIRAGE 50 FC (Chile)



NOSE	C5, C6	FIN	A25	MAIN DOORS	A3,A4	BELLY TANK	A17	CANARD	-
PROBE	C19	INTAKE	A5,A12	WIND SHIELD	D3	DOPPLER	-		
NOTES									



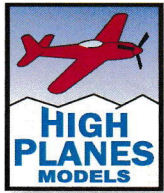
IAI FINGER III



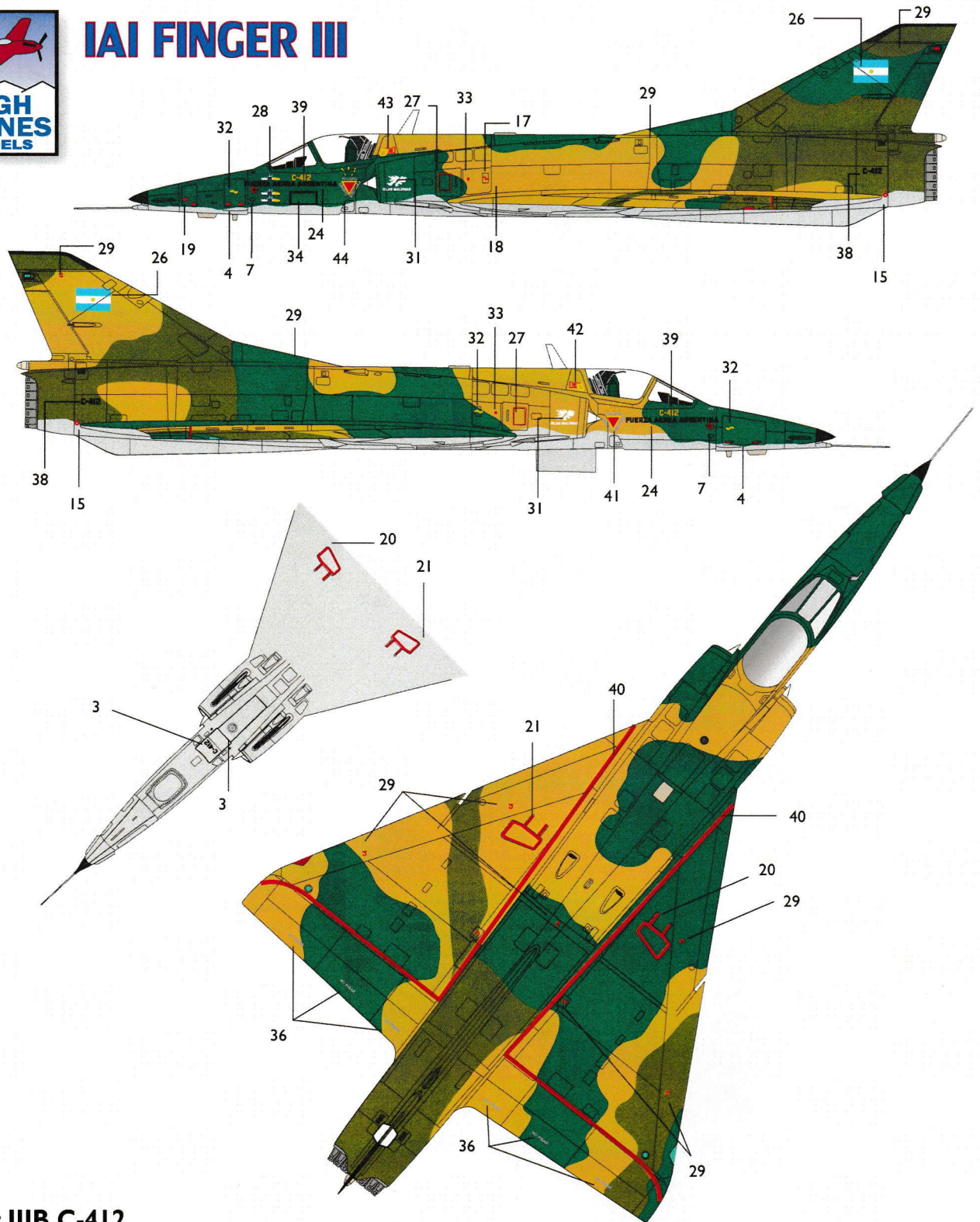
Finger IIIB C-435
1º Escuadrón, Grupo 6 de Caza, FAA
 Tandil, Argentina
 May 1994

NOTES
 C-423 & C-429 had the same finish, but had the serial number marked on the front nose wheel door.
 The doppler panel is painted with undersurface colour.
 Some aircraft retained the walkway markings near the air brakes. We have included these as an option.

- A** BLACK
- B** FOREST GREEN
- C** GREEN
- D** TAN
- H** GREY
- I** RADOME TAN
- K** WHITE



IAI FINGER III



Finger IIIB C-412 1° Escuadrón, Grupo 6 de Caza, FAA

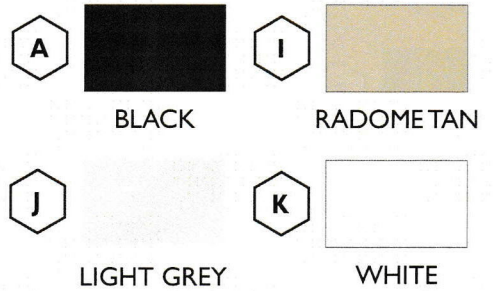
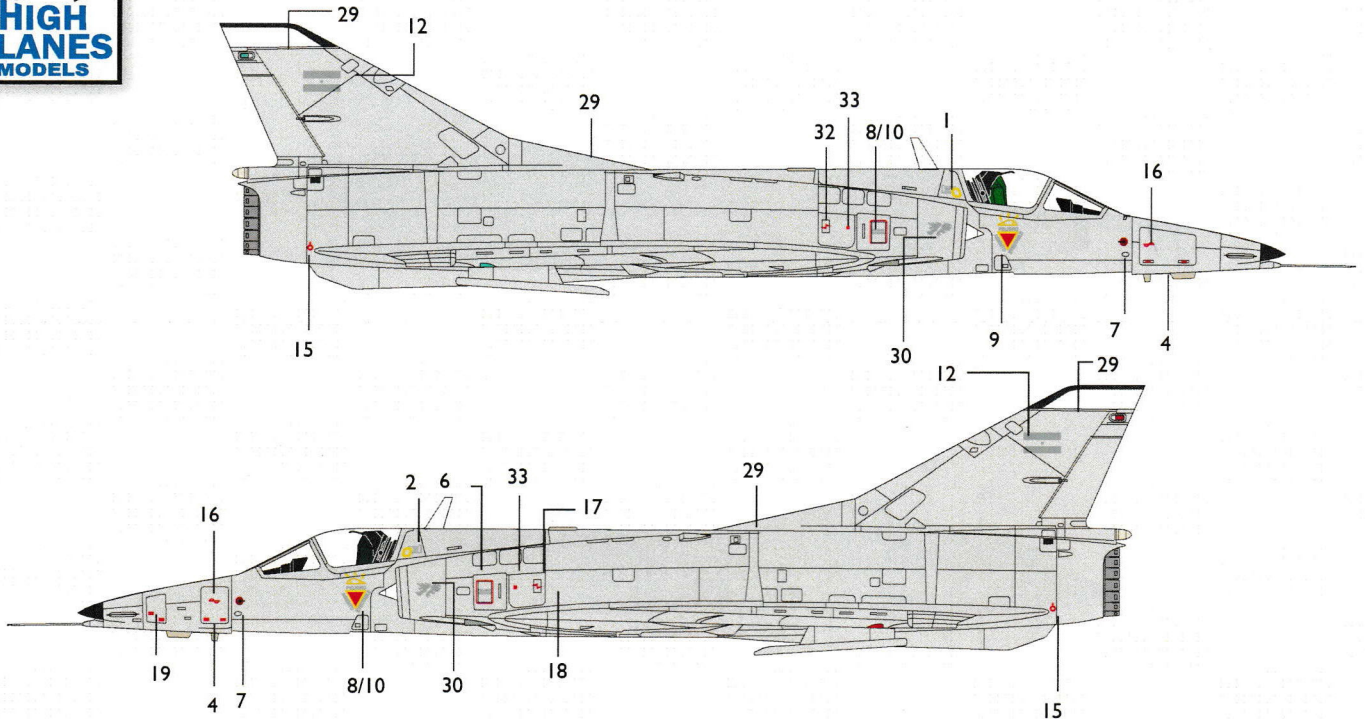
Tandil, Argentina
May 1989

NOTES

C-412 has ship silhouettes as mission markings on the port side. These represent strikes on HMS Brilliant (twice) and HMS Arrow during the Falklands/Malvinas War. Both ships were damaged by strafing runs, fortunately without loss of life.



IAI FINGER III

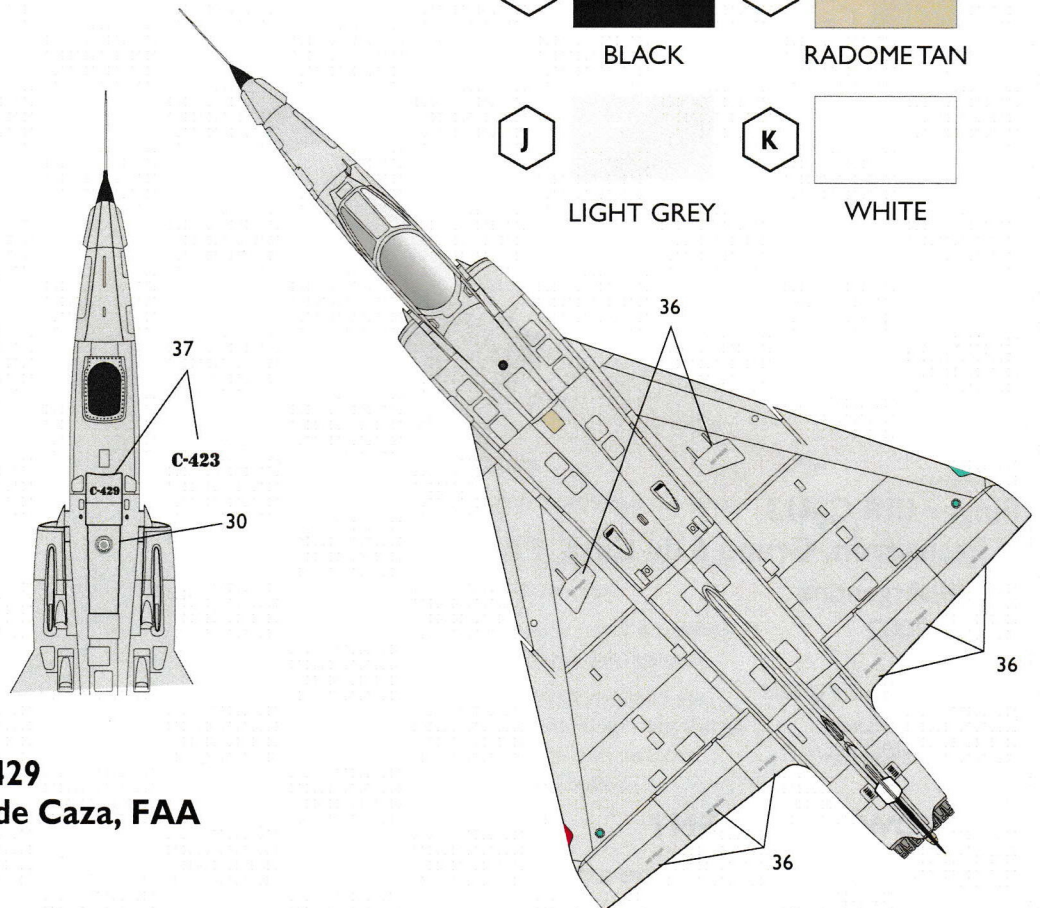


NOTES

The low visibility grey scheme was developed from 1989 on.

It is reported that the airframes were painted in shades mixed from black and white paint. The early shades varied, but were close to FS 36320 and FS36375.

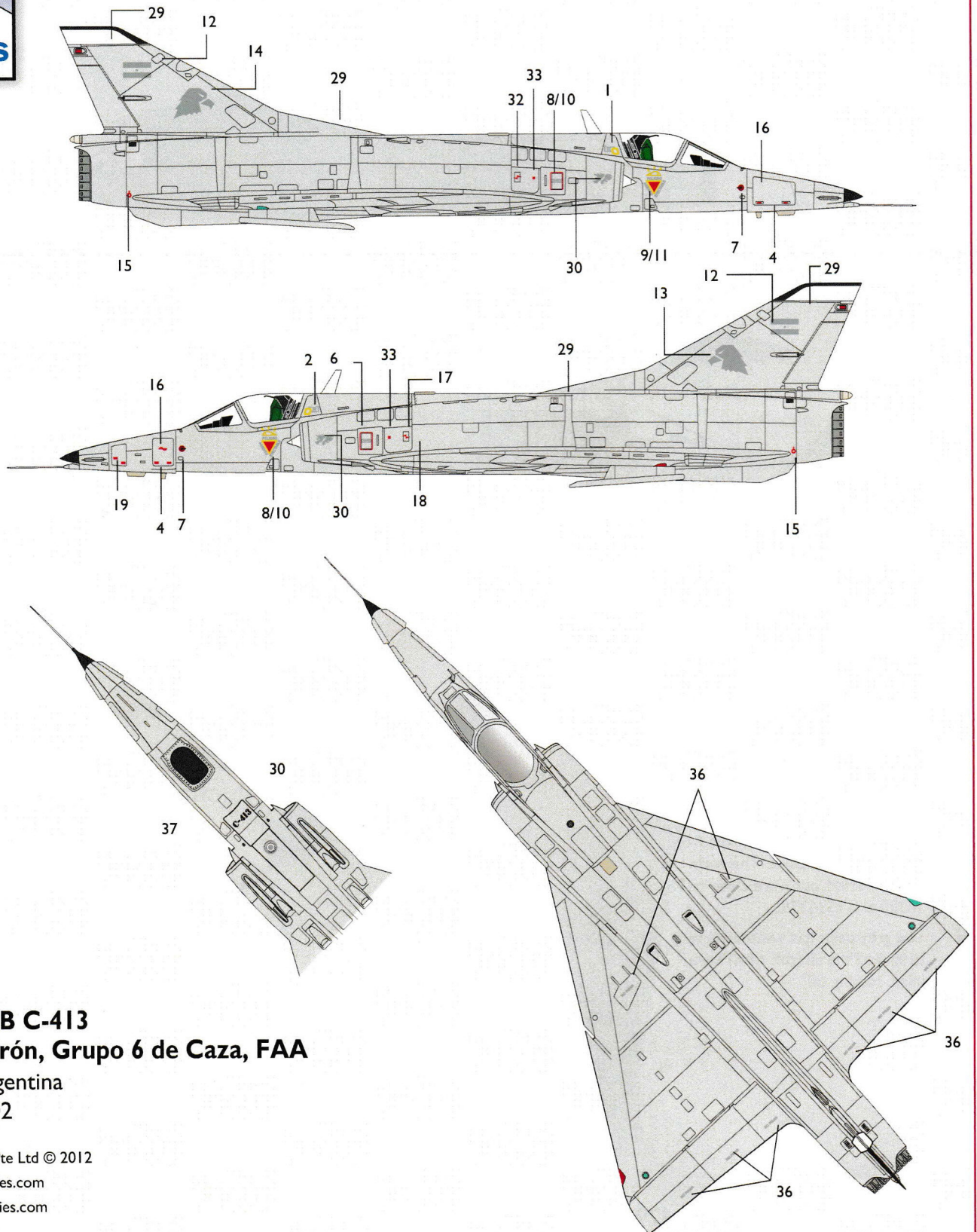
The grey paint has weathered very badly and the aircraft often have paint coming off.



Finger IIIB C-423 & C-429
1° Escuadrón, Grupo 6 de Caza, FAA
 Tandil, Argentina
 April 1994



IAI FINGER III



Finger IIIB C-413
1º Escuadrón, Grupo 6 de Caza, FAA
 Tandil, Argentina
 March 2002

HPM Hobbies Pte Ltd © 2012
www.hpmhobbies.com
info@hpmhobbies.com

ACKNOWLEDGEMENT

We gratefully acknowledge the assistance of Juan Contreras and in preparing this kit and dedicate it to the memory of Alejandro Serra who prepared the original decal artwork. Requiescat in pace.