

BEECH JB-1, UC-43

BEECH TRAVELLER MK I

Plastic model
scale 1/72

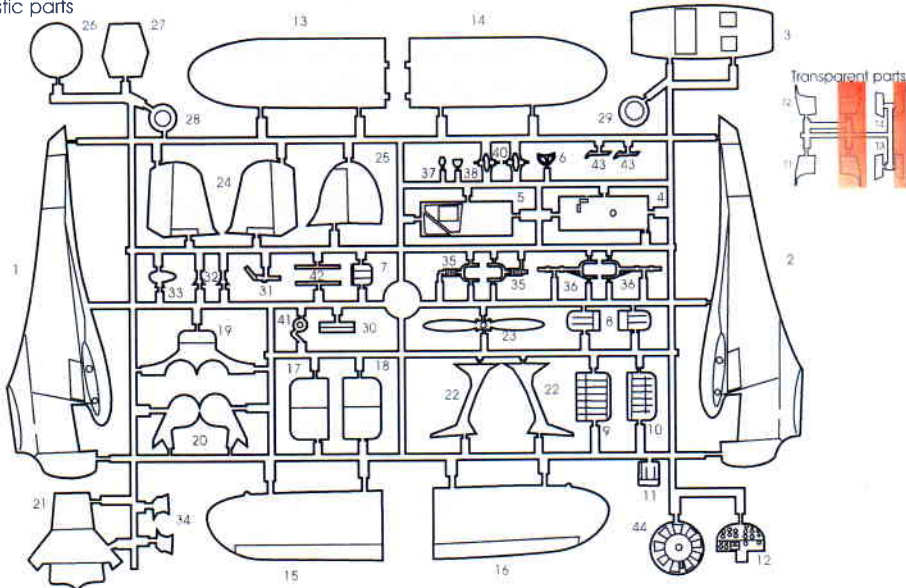
History:

The **Beechcraft Model 17 Staggerwing** is an American biplane with an atypical negative stagger (the lower wing is further forward than the upper wing), that first flew in 1932.

The **Beech UC-43 Traveler** was a slightly modified version of the Staggerwing. In late 1938, the United States Army Air Corps purchased three Model D17S to evaluate them for use as light liaison aircraft. These were designated **YC-43**. After a short flight test program, the YC-43s went to Europe to serve as liaison aircraft with the air attachés in London, Paris, and Rome.

Early in World War II, the need for a compact executive-type transport or courier aircraft became apparent, and in 1942 the United States Army Air Forces ordered the first of 270 Model 17s for service within the United States and overseas as the **UC-43**. These differed only in minor details from the commercial model. To meet urgent wartime needs, the government also purchased or leased (impressed) additional "Staggerwings" from private owners including 118 more for the Army Air Force plus others for the United States Navy. In Navy service the planes were designated as **GB-1** and **GB-2**. The British Royal Air Force and Royal Navy acquired 106 "Traveller Mk. I" (the British name uses the UK double "l" spelling) through the Lend-Lease arrangement to fill its own critical need for light personnel transports.

Plastic parts

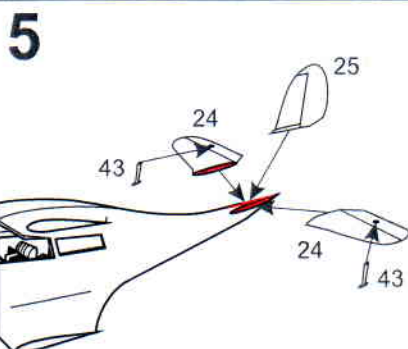
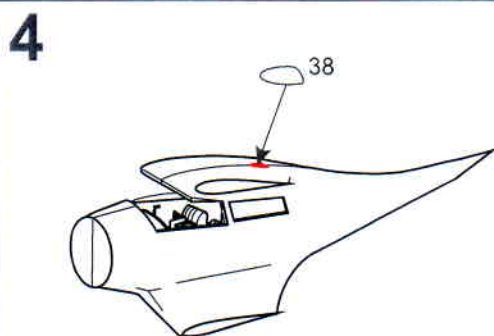
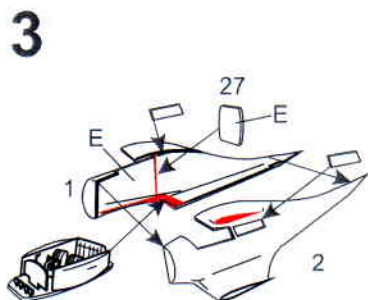
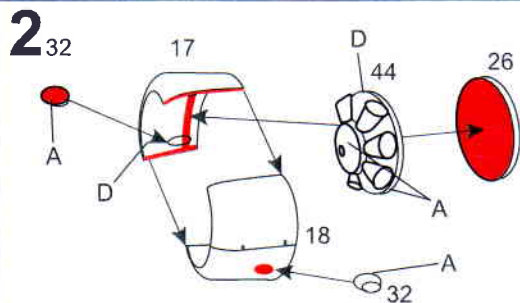
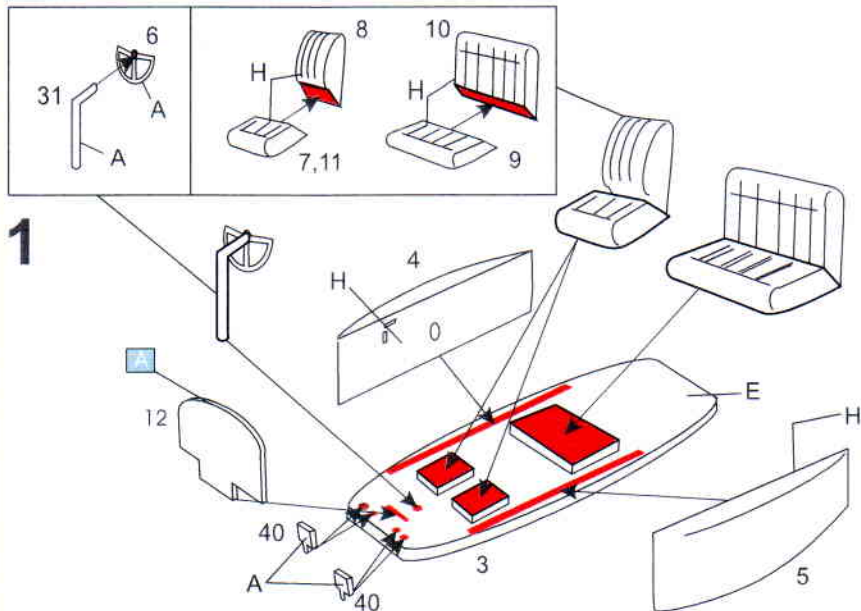


Symbols

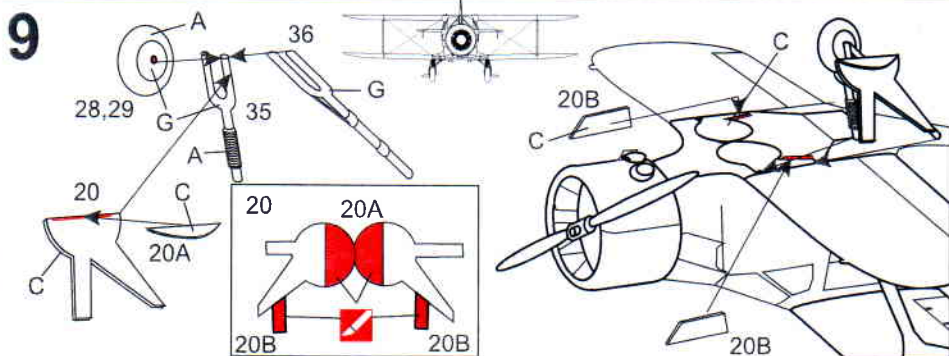
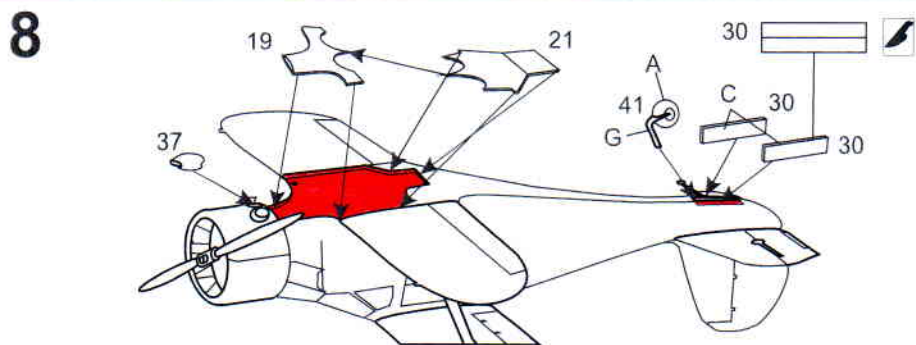
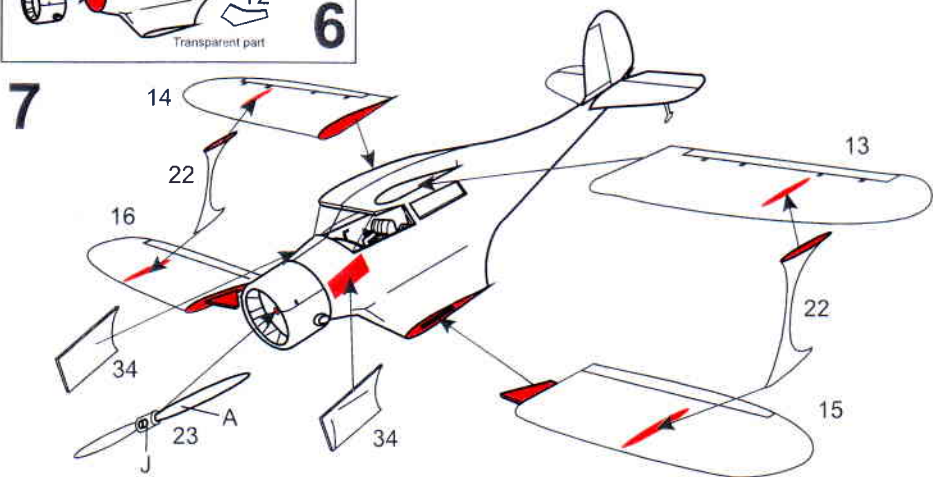
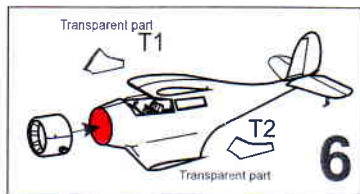
| | | | |
|-----------------------|-----------------------------------|---------------------|--------------------|
| Drill hole Vyvrtat | Cyanacrylate Vteřinové lepidlo | Remove Odstranit | Reduce Zbrousit |
| Make new Vyrobit | Option Volba | Bend Ohnout | Putty Tmel |

| | Colour name | Humbrol | Colour name | Humbrol |
|----------|----------------|---------|--------------------|---------|
| A | Black | H33 | G Aluminium | H56 |
| B | White | H34 | H Leather | H62 |
| C | Interior Green | H76 | I Linen | H74 |
| D | Gunmetal | H53 | J Silver | H11 |
| E | Wood | H110 | K Tyre | H85 |
| F | Yellow | H24 | L Rust | H113 |

Assembly instructions

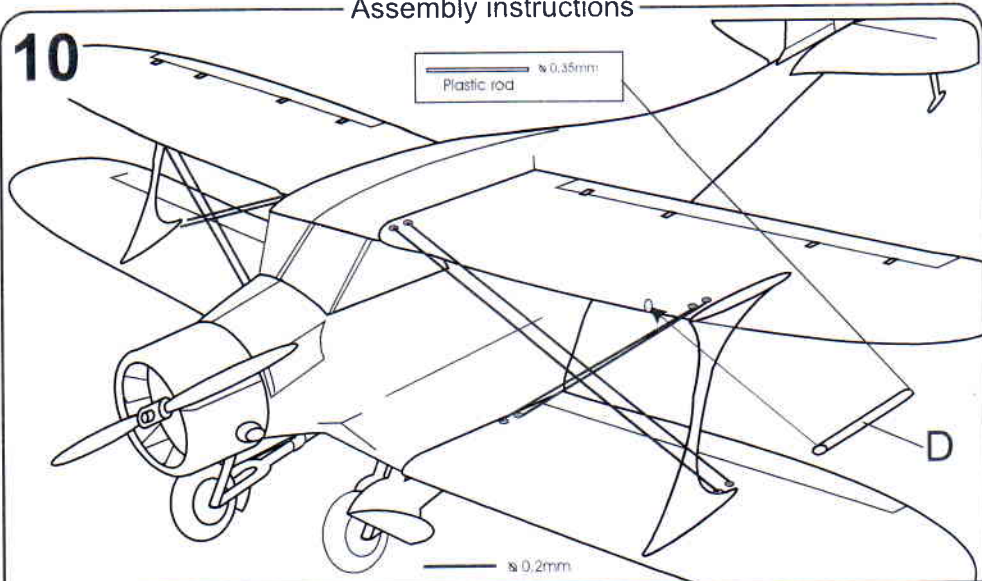


Assembly instructions



10

Plastic rod $\approx 0.35\text{mm}$



Beech JB-1, UC-43, Traveler Mk I

