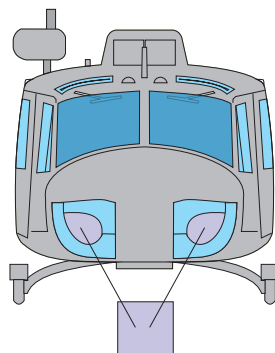
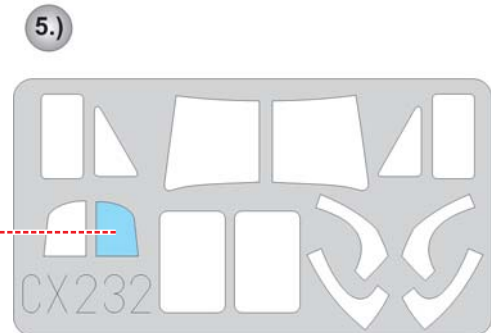
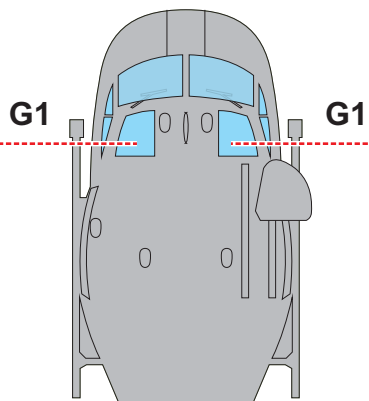
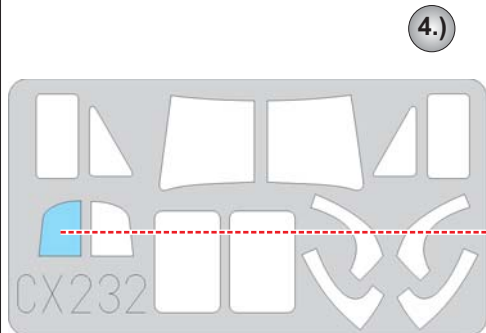
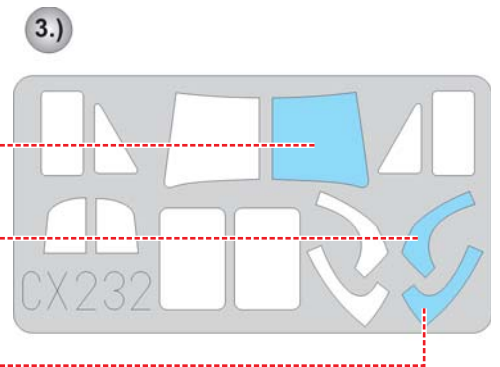
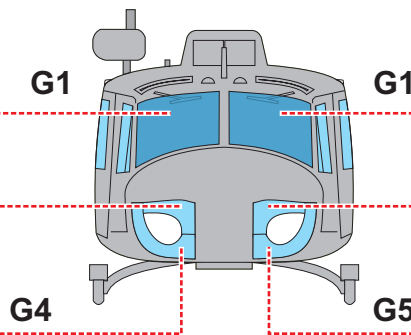
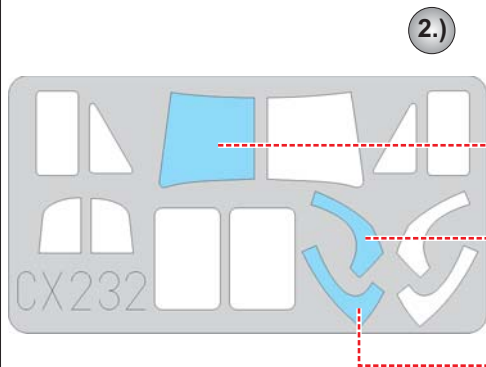
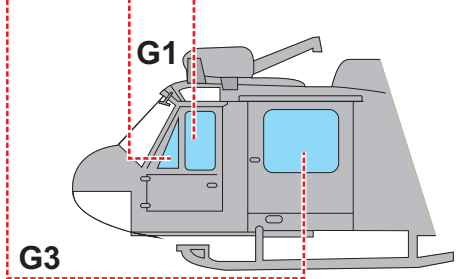
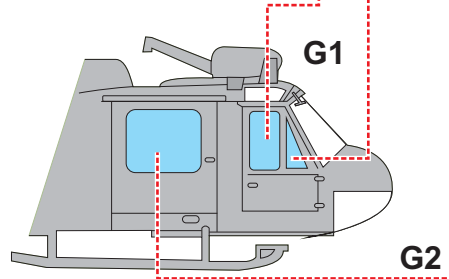
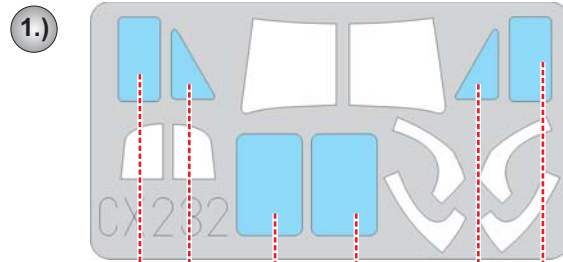
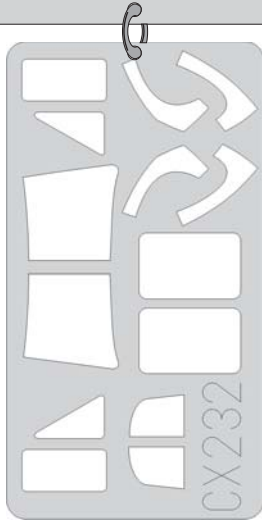


**eduard**  
**MASK**

**CX 232**

# UH-1B 1/72

The die-cut mask for accurate canopy frame painting of the  
*Hobby Boss* scale 1/72 KIT



6.)

**LIQUID MASK**



7.)

