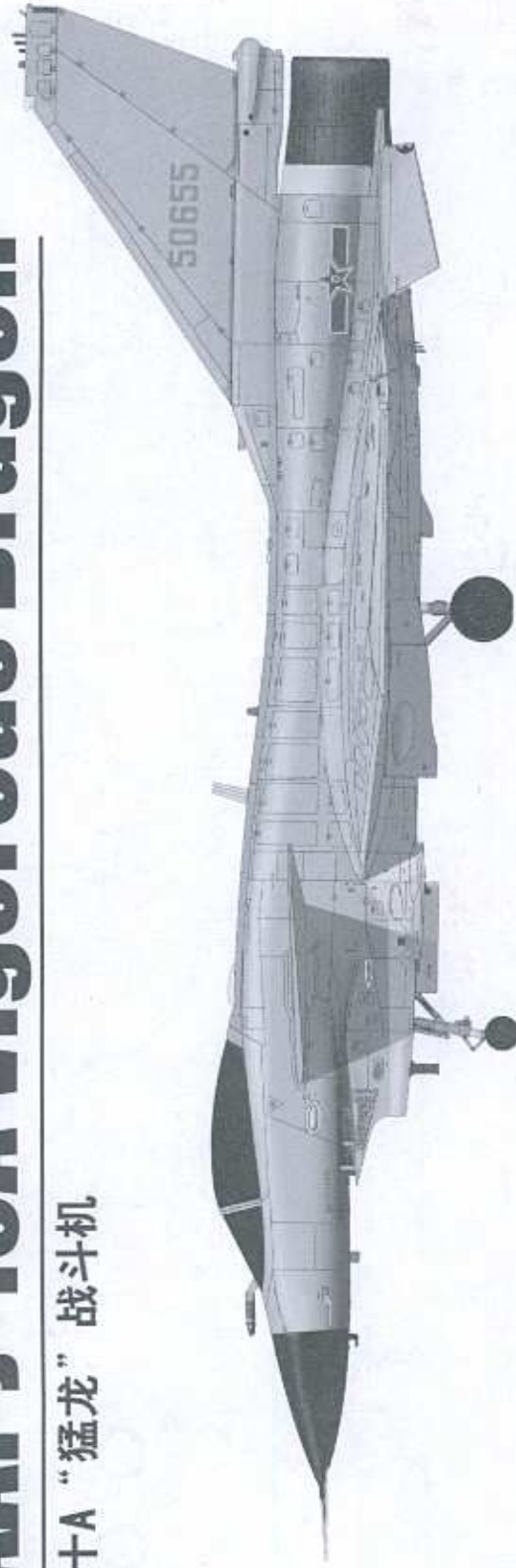


1/48 SCALE

ITEM NO.:02841

PLAAF J-10A Vigorous Dragon

中国歼十A“猛龙”战斗机



READ BEFORE ASSEMBLY:

- Study and understand these instructions thoroughly before beginning assembly
- When needed, remove photo-etch parts carefully using a modeling knife or photo etch sprue cutter, being careful not to damage or lose small parts.
- Take extra care in handling photo etch parts in order to avoid injury
- Apply instant cement sparingly to photo etch parts where instructed

装配之前仔细阅读

- 小心用模型锉刀锉平所有零件表面的注射浇口。
- 小心用刀片切下蚀刻片零件，不要遗失小零件。
- 用强力快干胶水粘合蚀刻片零件和金属轴。过量的快干胶水使用可能导致可动零件会粘住，小心涂胶。
- 取蚀刻片时应特别注意安全，防止利刃划伤手指。
- 某些零件表面需贴水上贴纸，请选择在装配的同时进行。
- 推荐模型工具(自备)：胶水，水口剪刀，长咀钳，刀片，锉刀，镊子钳，钻，剪刀，瞬间快干胶。
- 软布回砂纸同时也应该是必备工具。
- 请使用塑料胶水和油漆，模型内不含。

- Tools recommended(not included in kit):Plastic and instant cements,sprue cutters,long nose pliers,modeling knife, small files, tweezers, pin vise & scissors. Soft cloth and sandpaper will also assist in construction
- Glue and paint are not included in the kit. Use plastic cement and hobby paints only. Color guide for purchasing paint is included in the kit.

水贴纸的使用:

1. 从水贴纸上剪下印花;
2. 将印花放入温水中浸10秒, 然后放在干净布上;
3. 拿着印花纸板将印花移到模型上;
4. 手指蘸水将印花移到适当的位置;
5. 用软布轻压印花直至水干, 气泡消失.

DECAL APPLICATION:

1. Cut decals from sheet as needed
2. Dip the decal in warm water for about 10 seconds and then place on soft clean cloth.
3. Hold the decal backing sheet edge and gently slide the decal onto the model in its proper position.

4. While still wet, decal can be adjusted for better fit on model by dampening it gently with your finger.

5. When placed in the proper position, gently press decal down with a soft cloth until excess water and air bubbles are gone.

6. Allow decal to dry completely before handling model



cyanocrylate glue
使用强力胶



weight
配重



make hole
钻孔



cut / remove
切除



option
选择



no cement
不涂胶水



decal
贴纸



bend
弯曲



file / sand
锉平

部品图 Parts

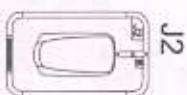
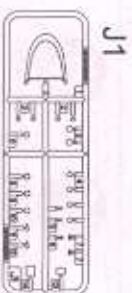
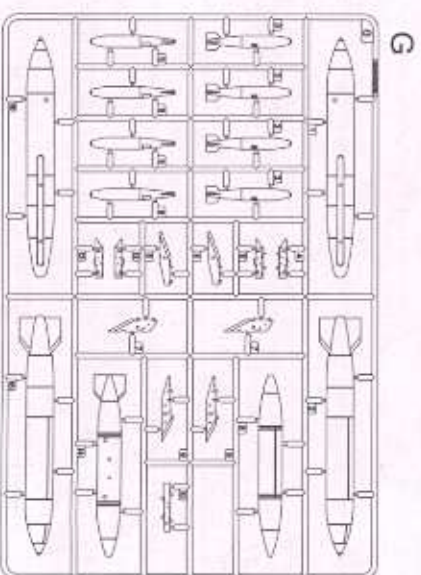
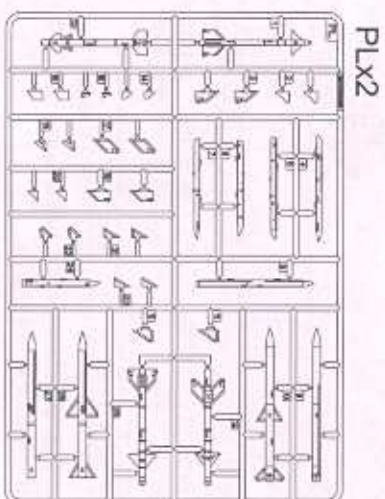
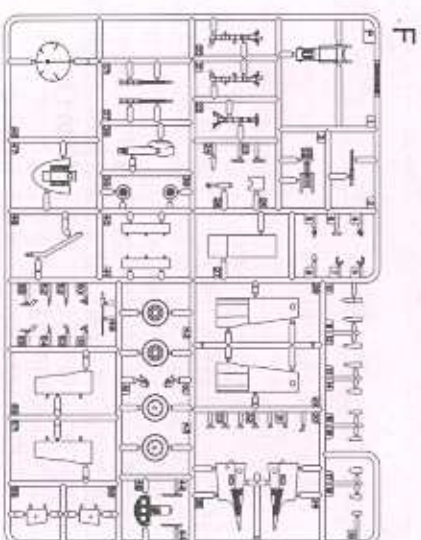
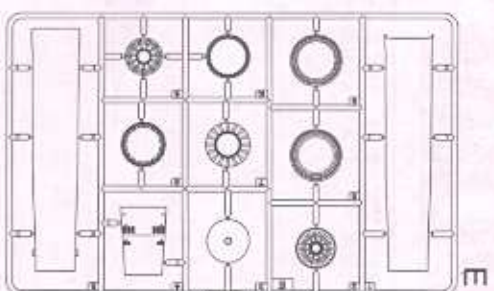
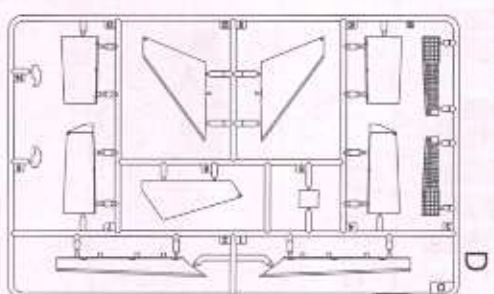
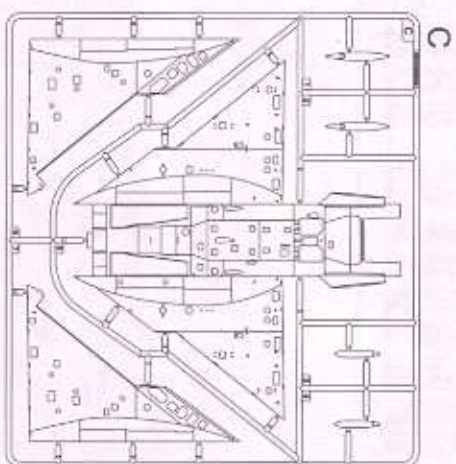
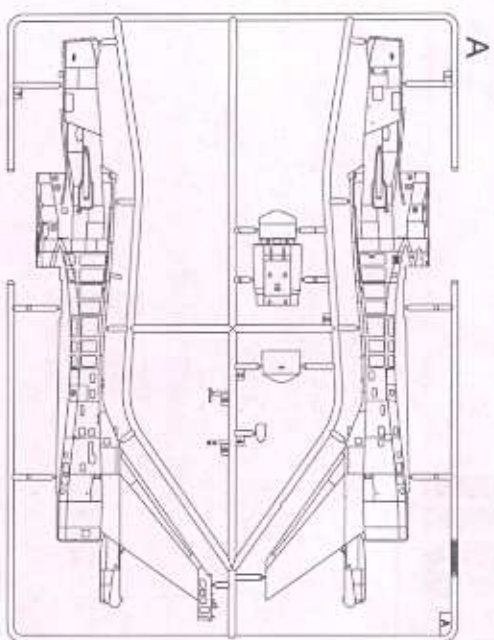
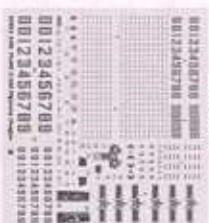


Photo etched part(PE)



《蚀刻片》

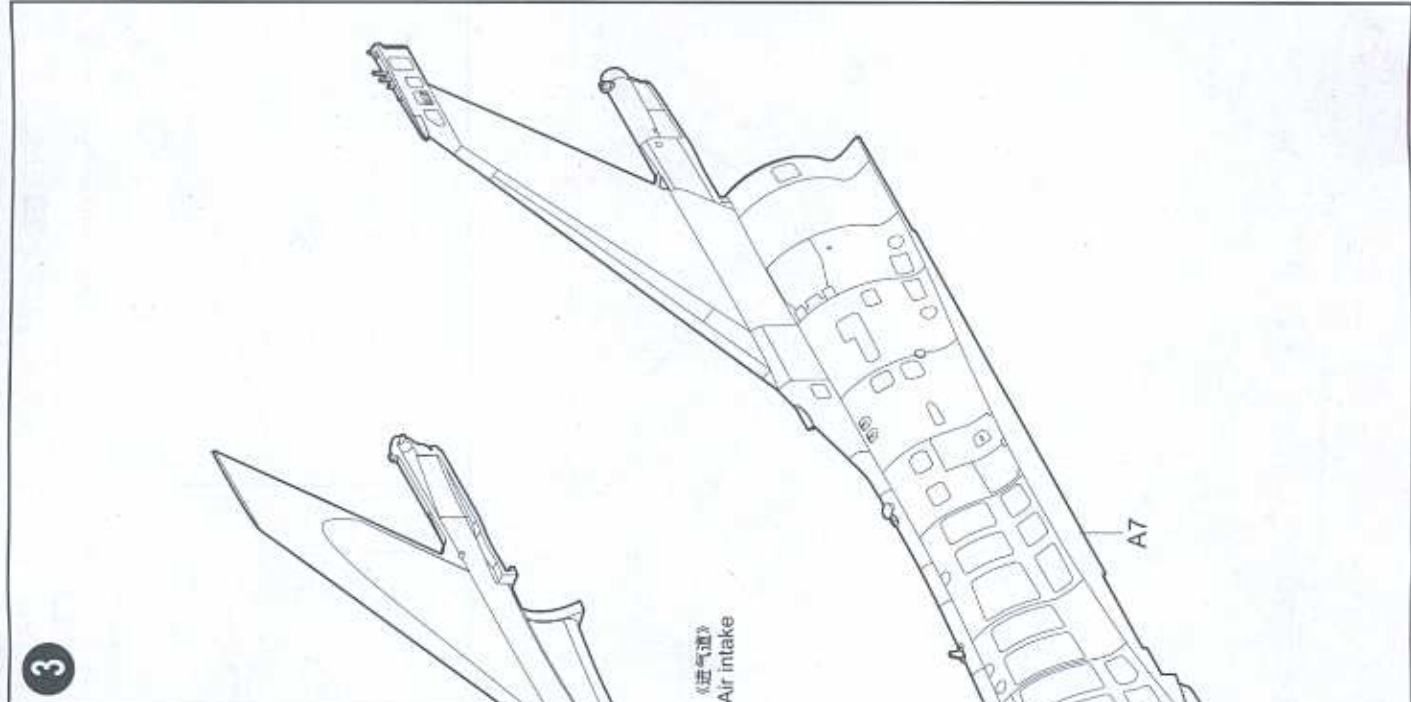
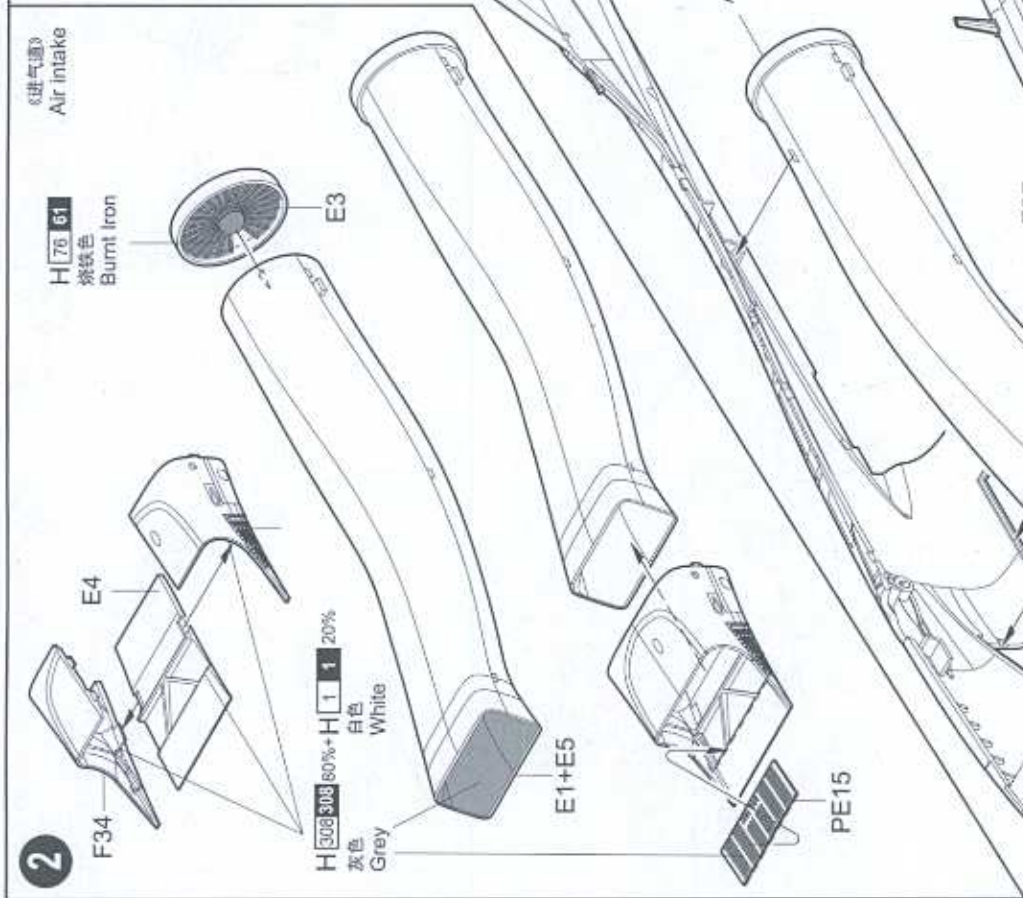
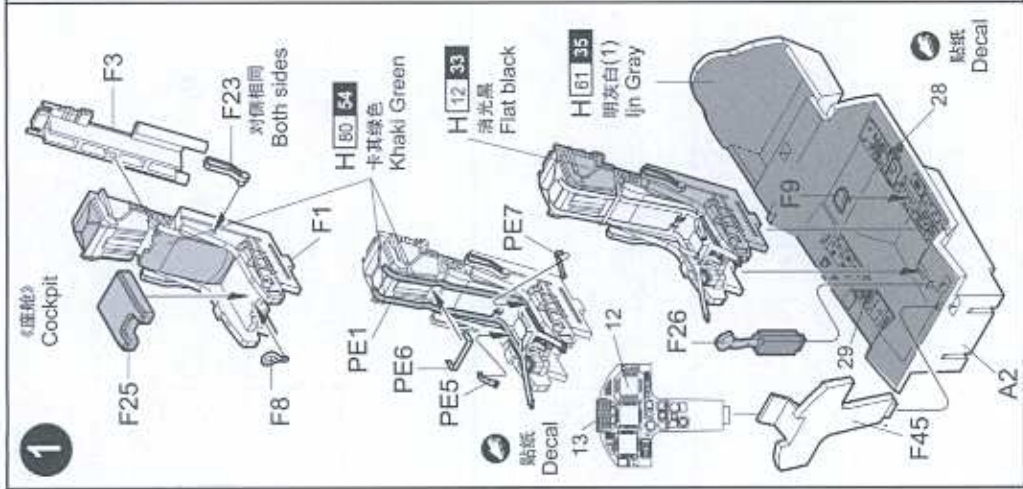
《水贴》 A
Decal A

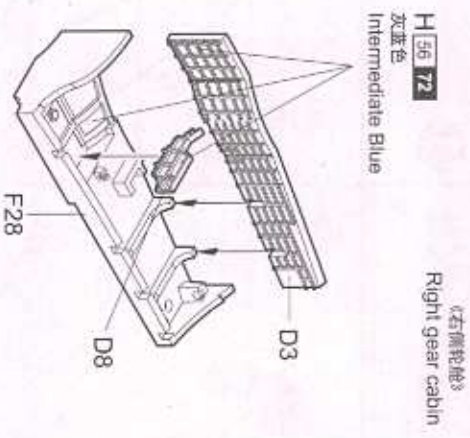
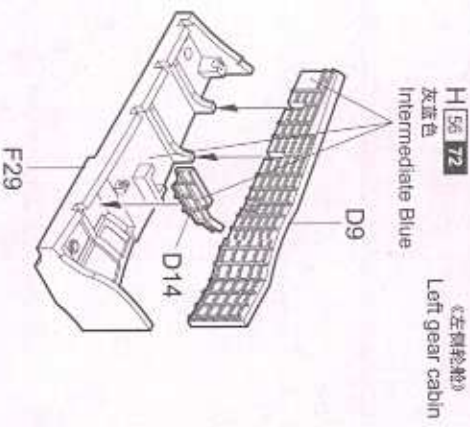


《水贴》 B
Decal B

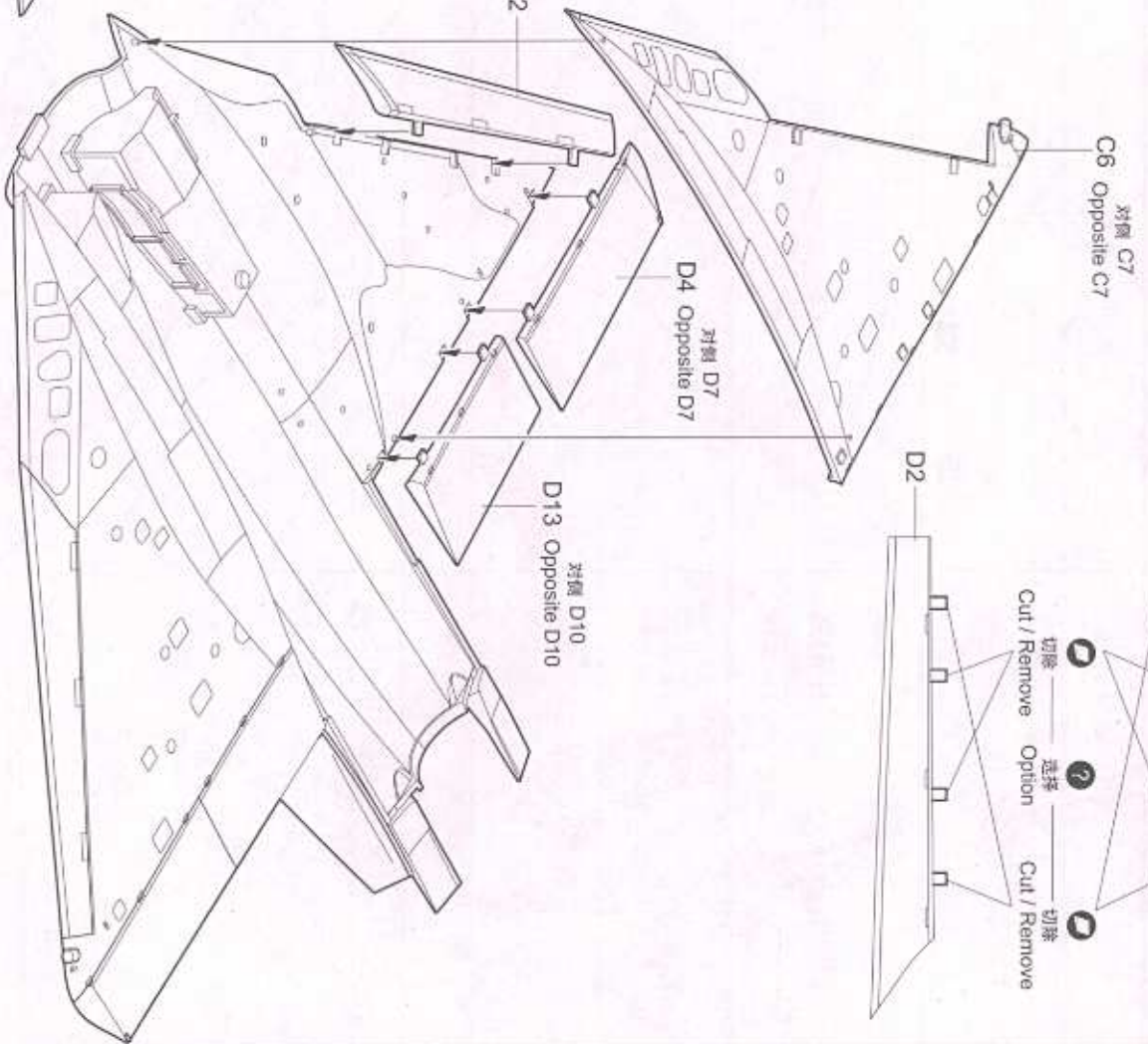
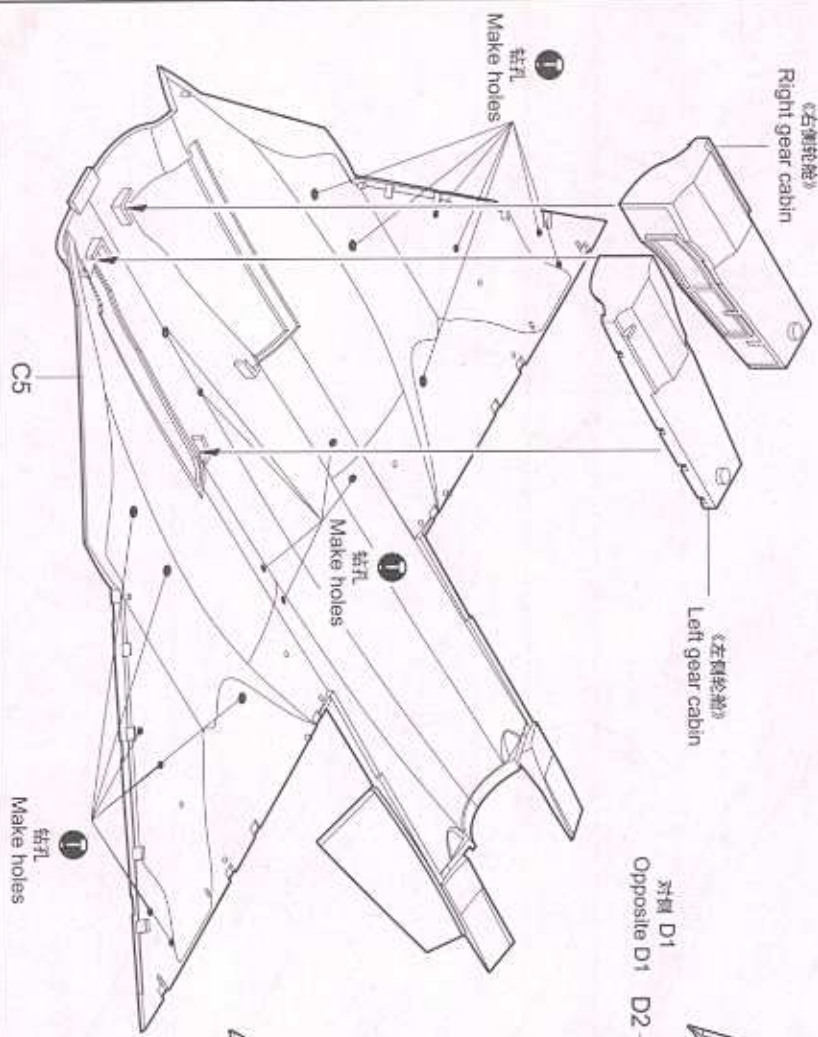
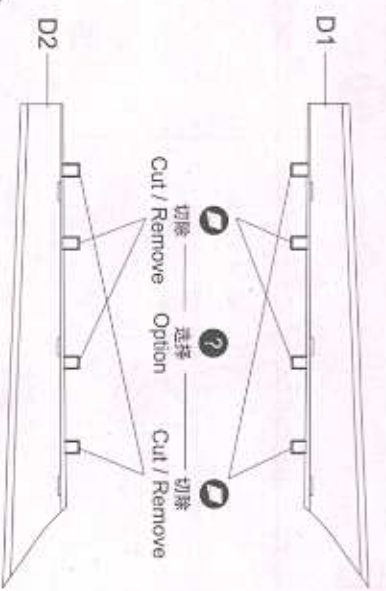


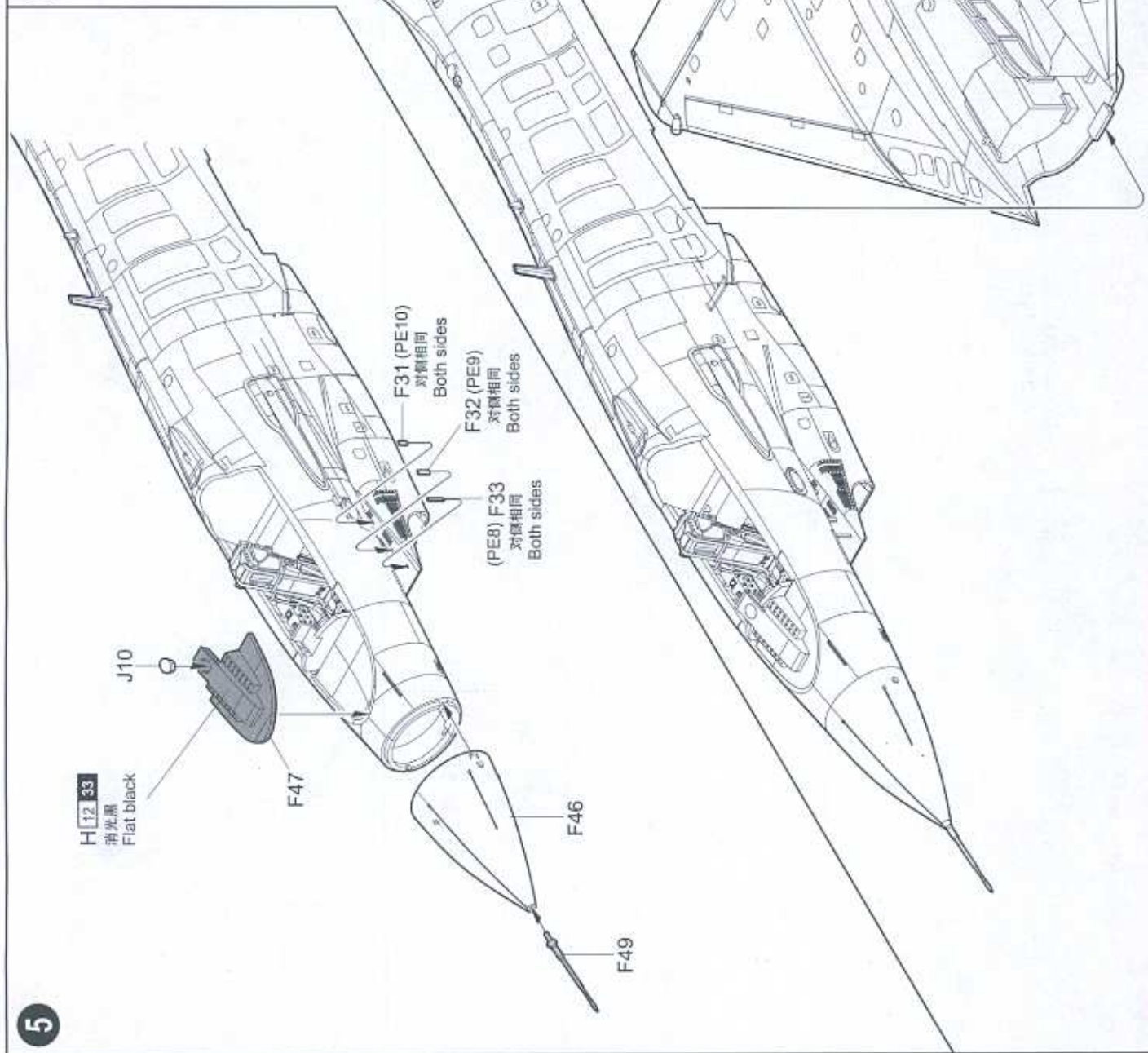
不用的零件: PE4 PE11
Unused parts:

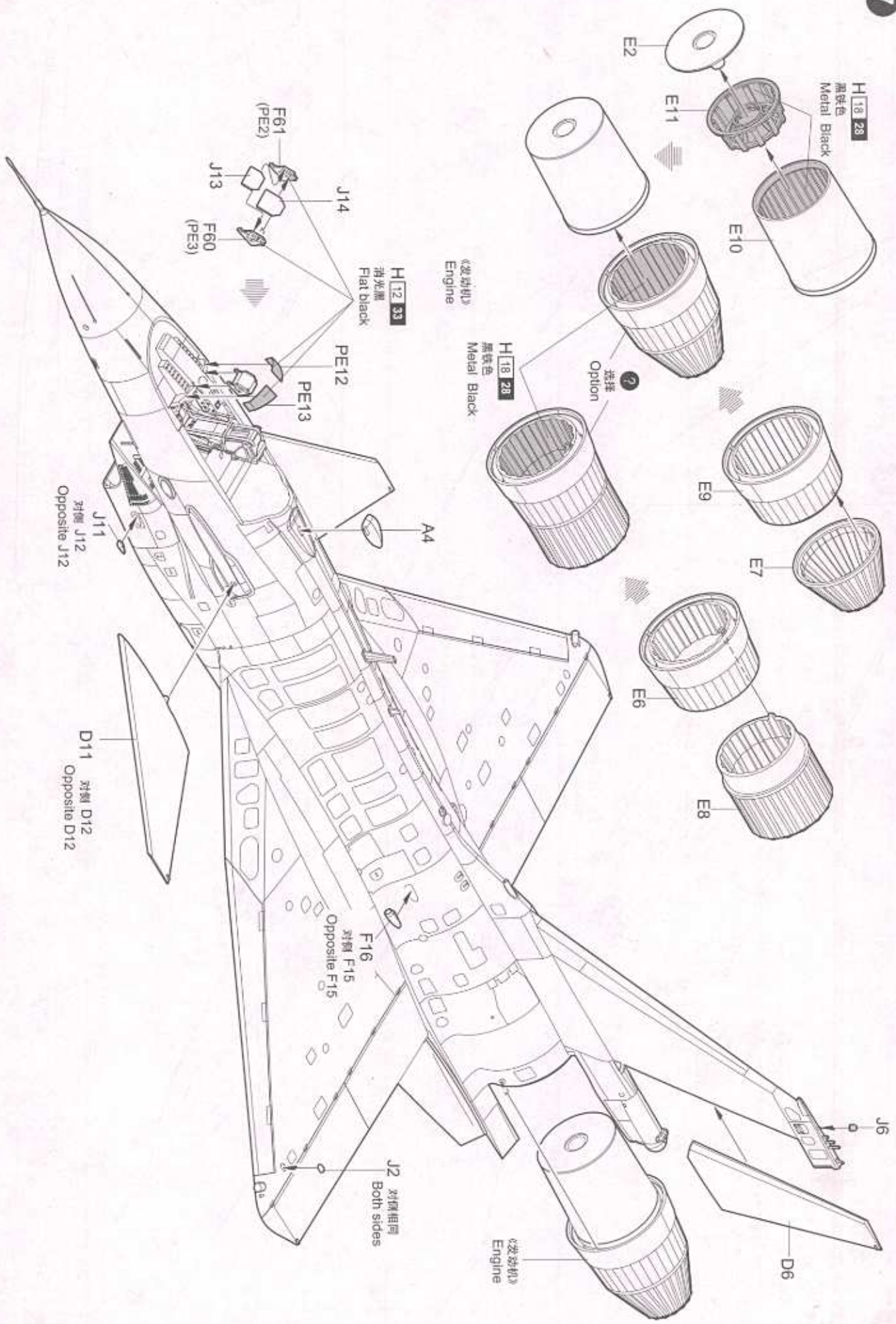


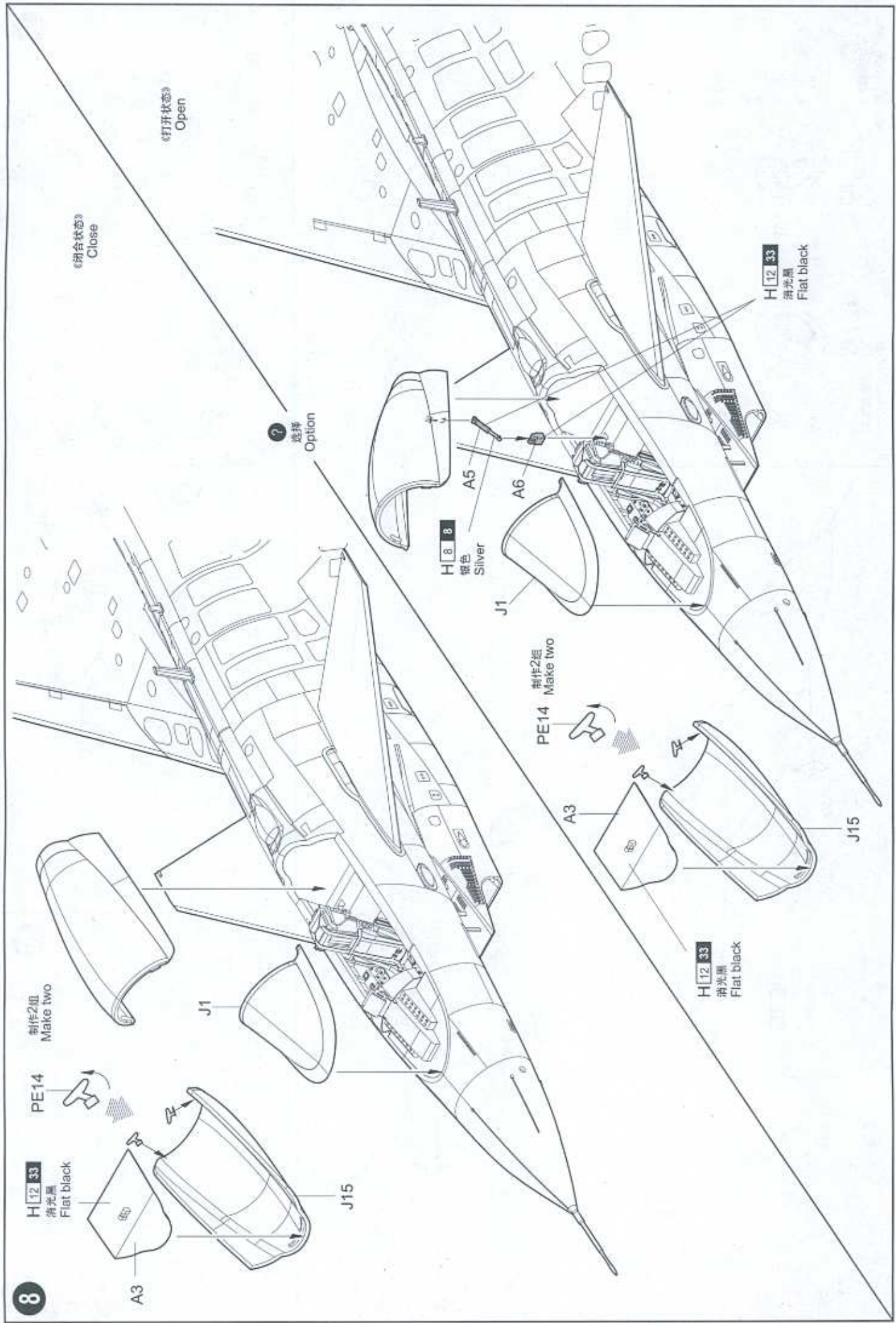


4









《闭合状态》
Close

《打开状态》
Open

⑦
选择
Option

H18 8
银色
Silver

H12 33
消光黑
Flat black

制作2组
Make two

PE14

制作2组
Make two

PE14

H12 33
消光黑
Flat black

H12 33
消光黑
Flat black

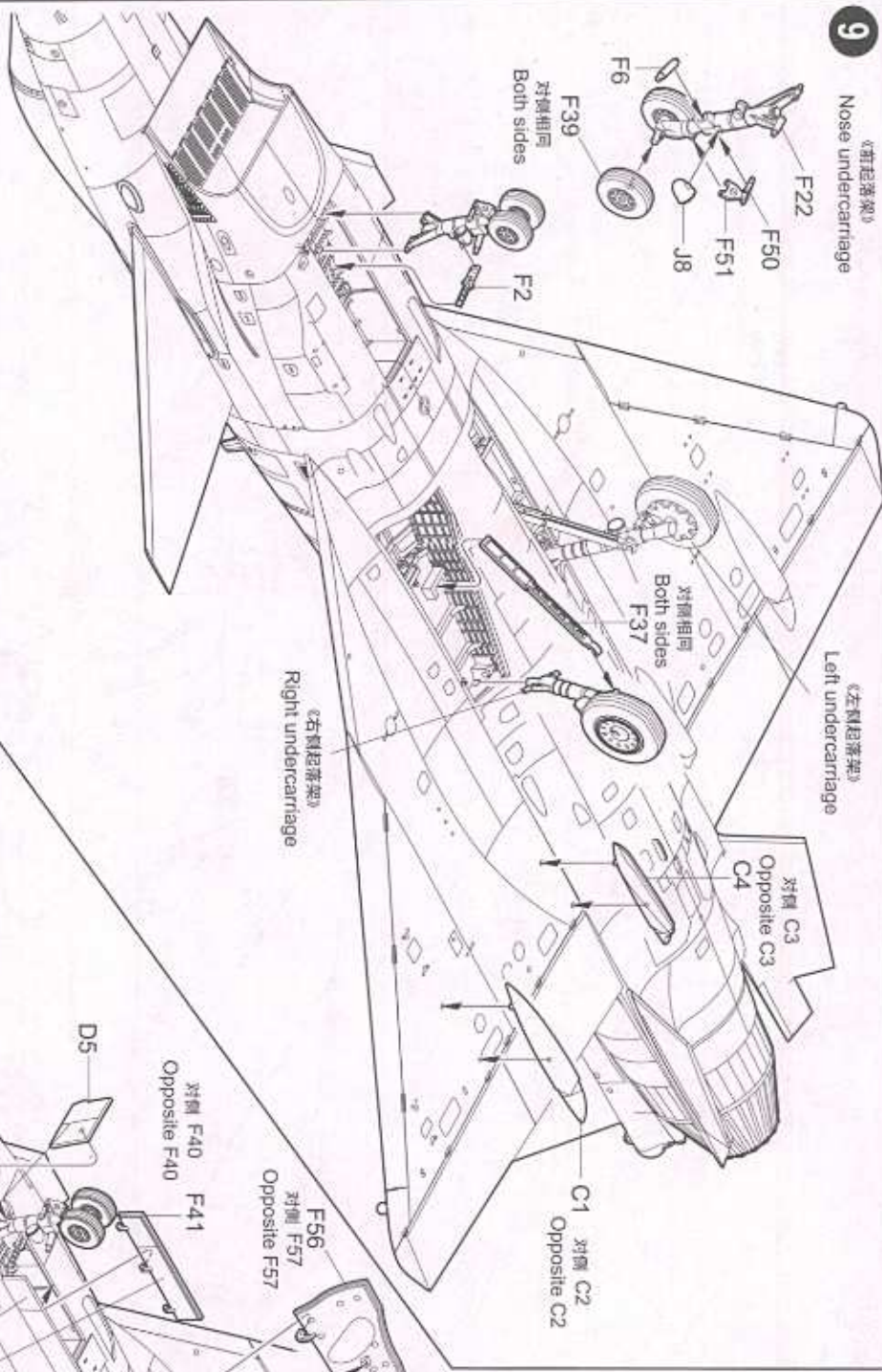
8

02841

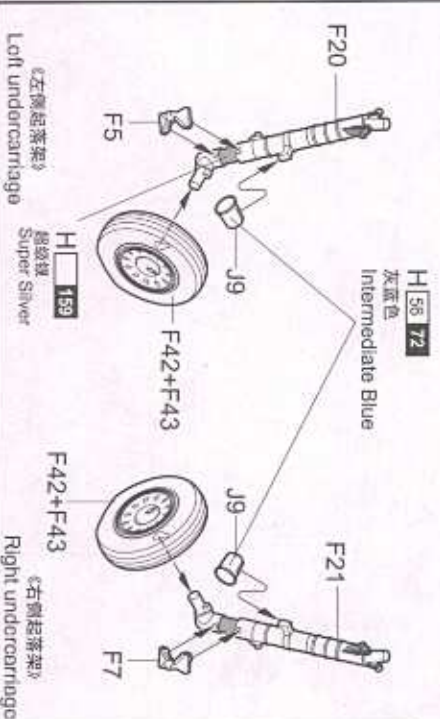
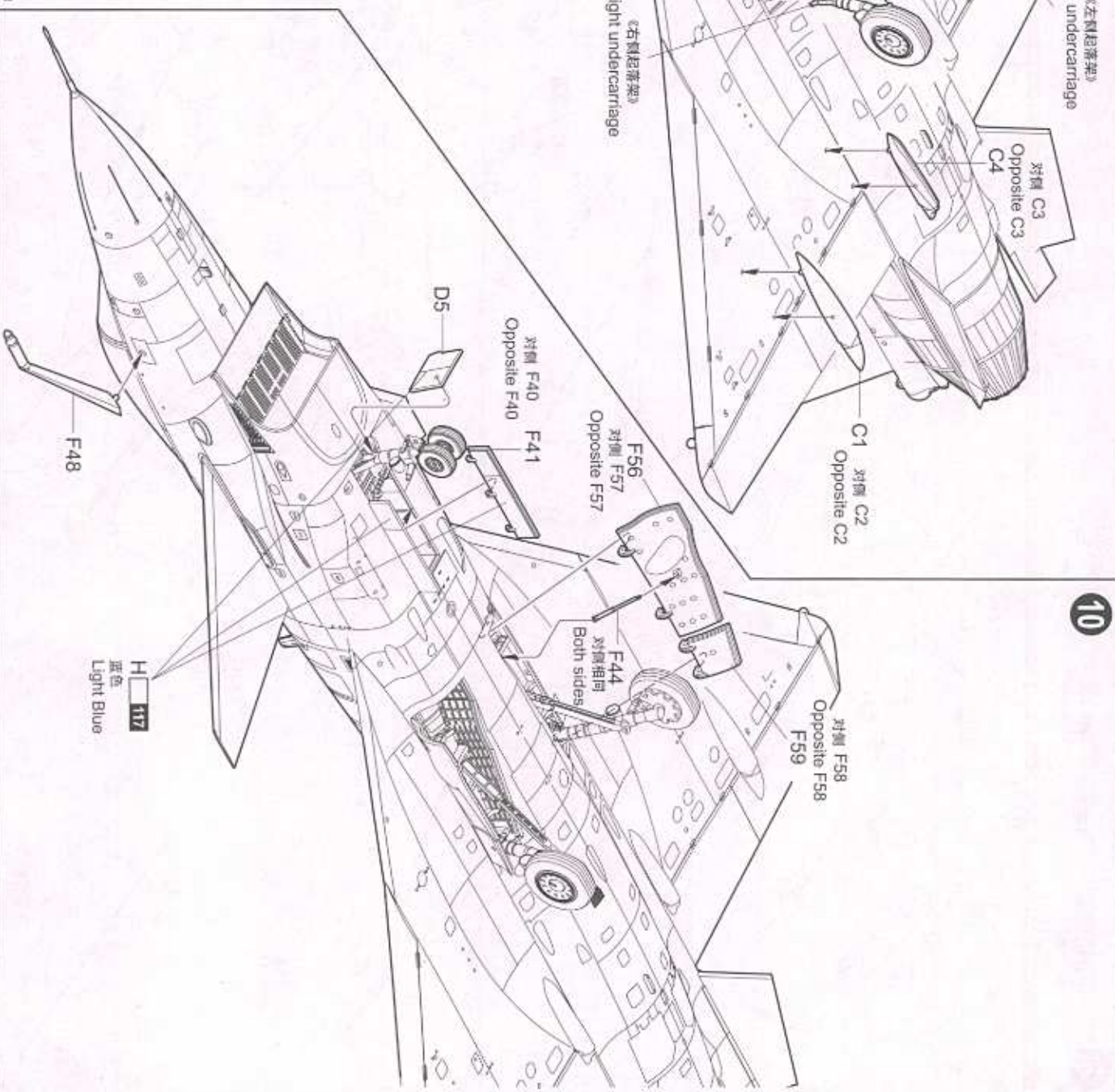
7

9

《前起落架》
Nose undercarriage

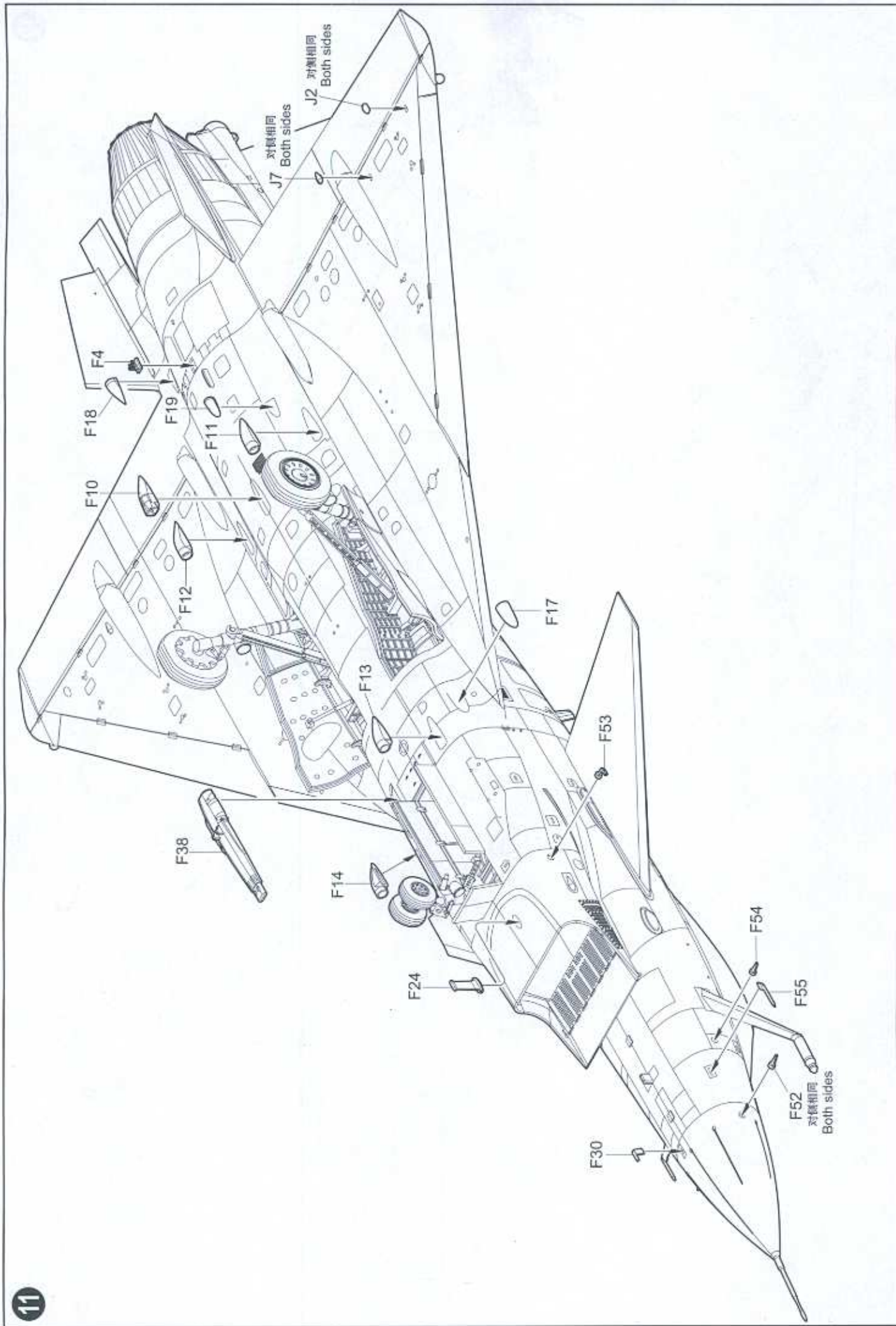


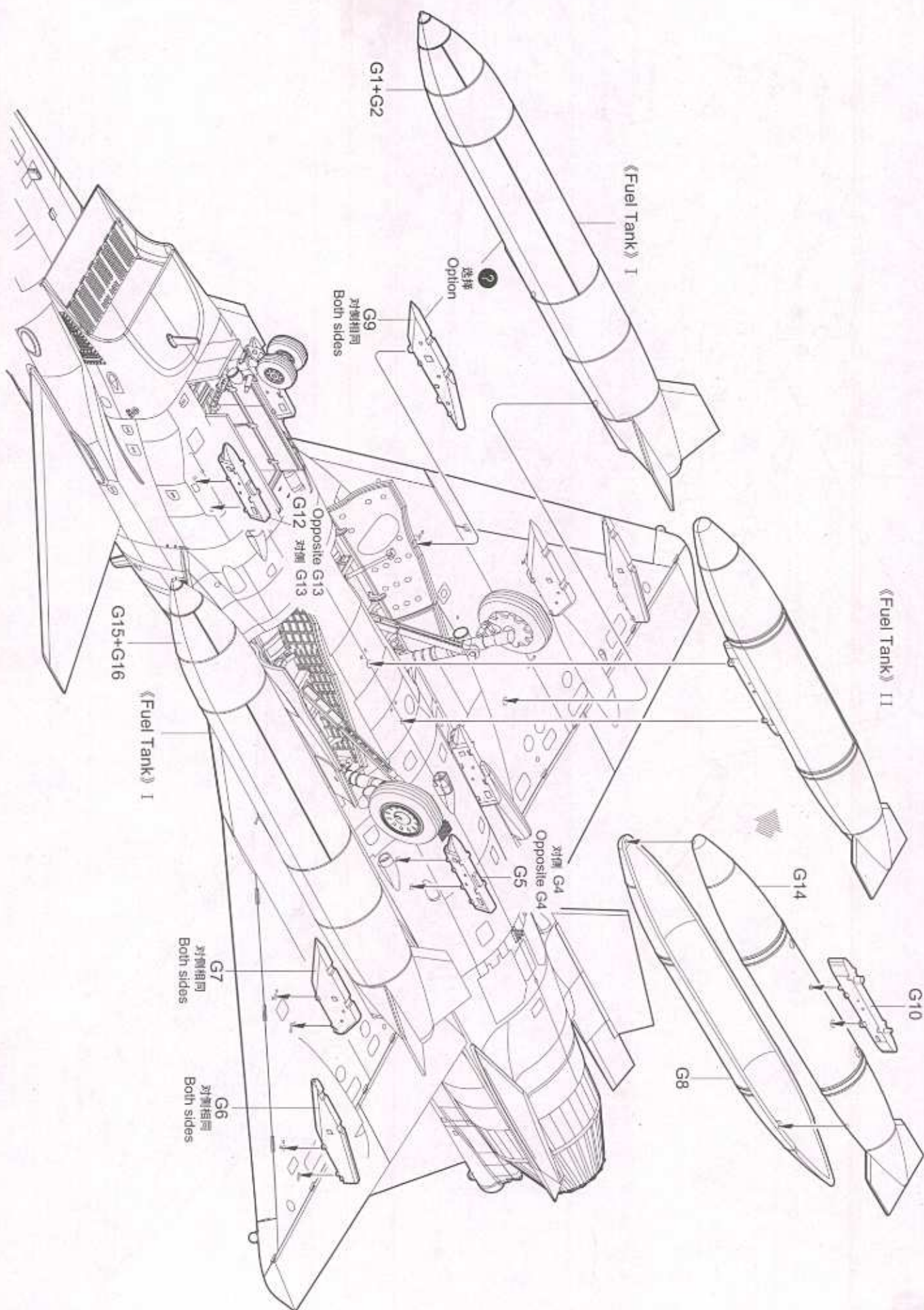
10



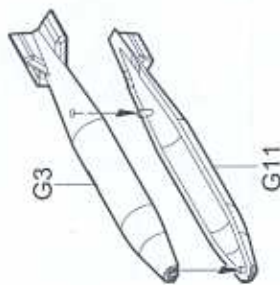
02841

8



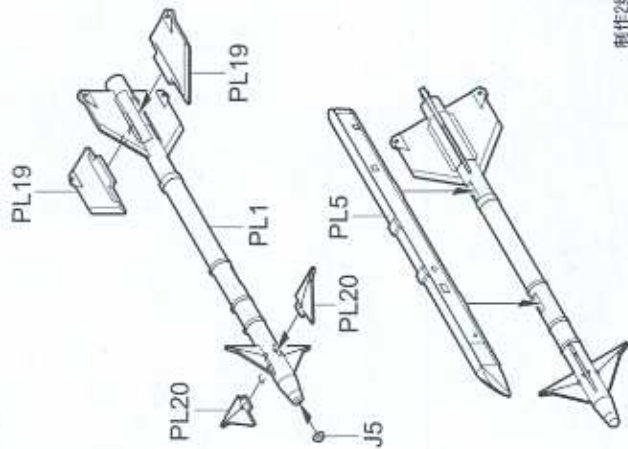


《250-3》



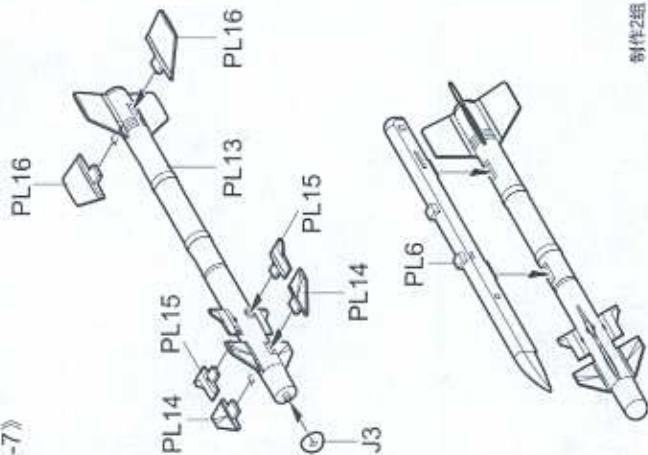
制作4组
Make four

《PL-5》



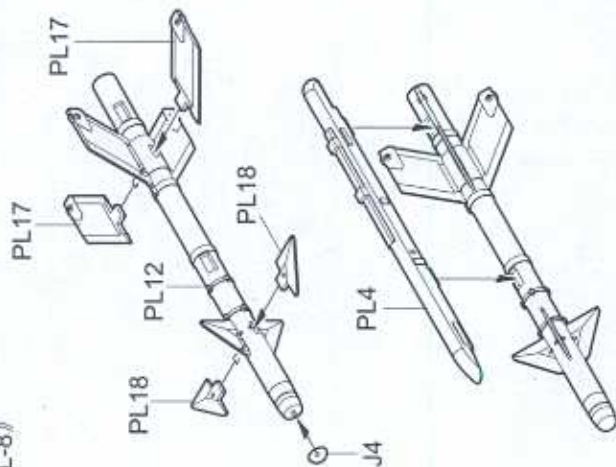
制作2组
Make two

《PL-7》



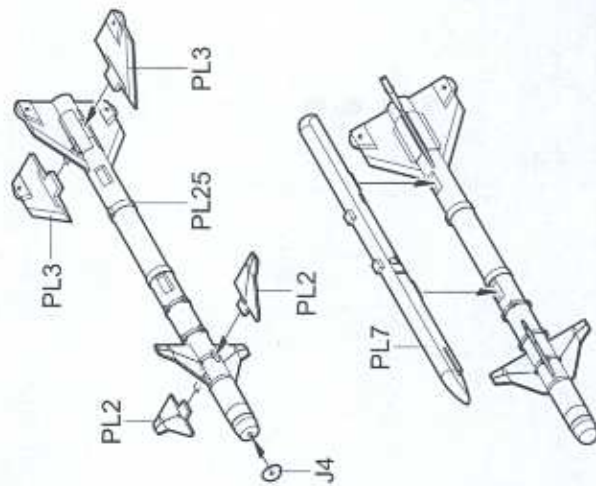
制作2组
Make two

《PL-8》



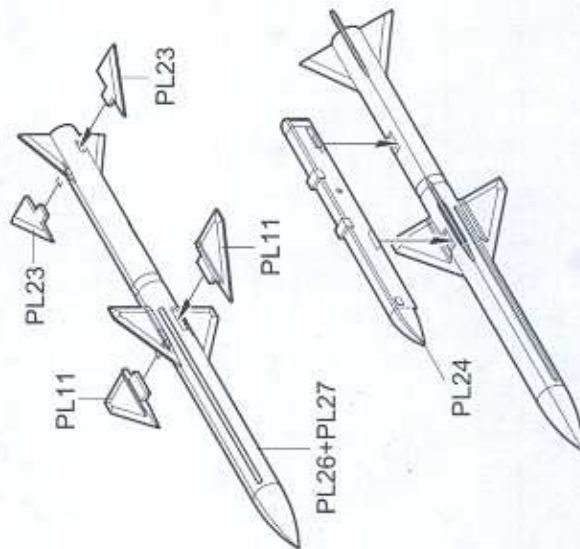
制作2组
Make two

《PL-9》



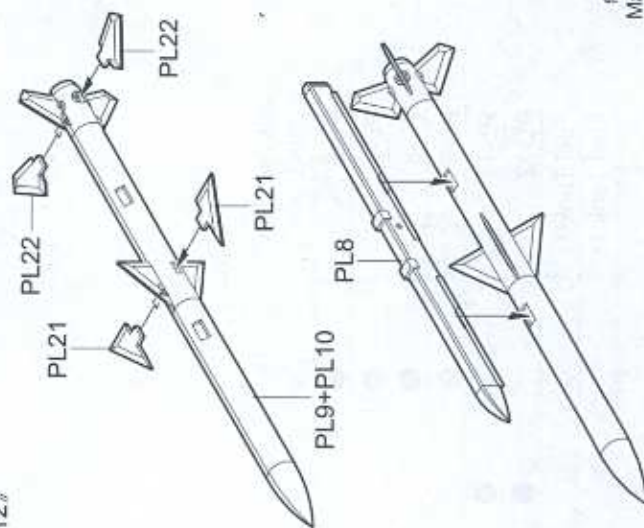
制作2组
Make two

《PL-11》

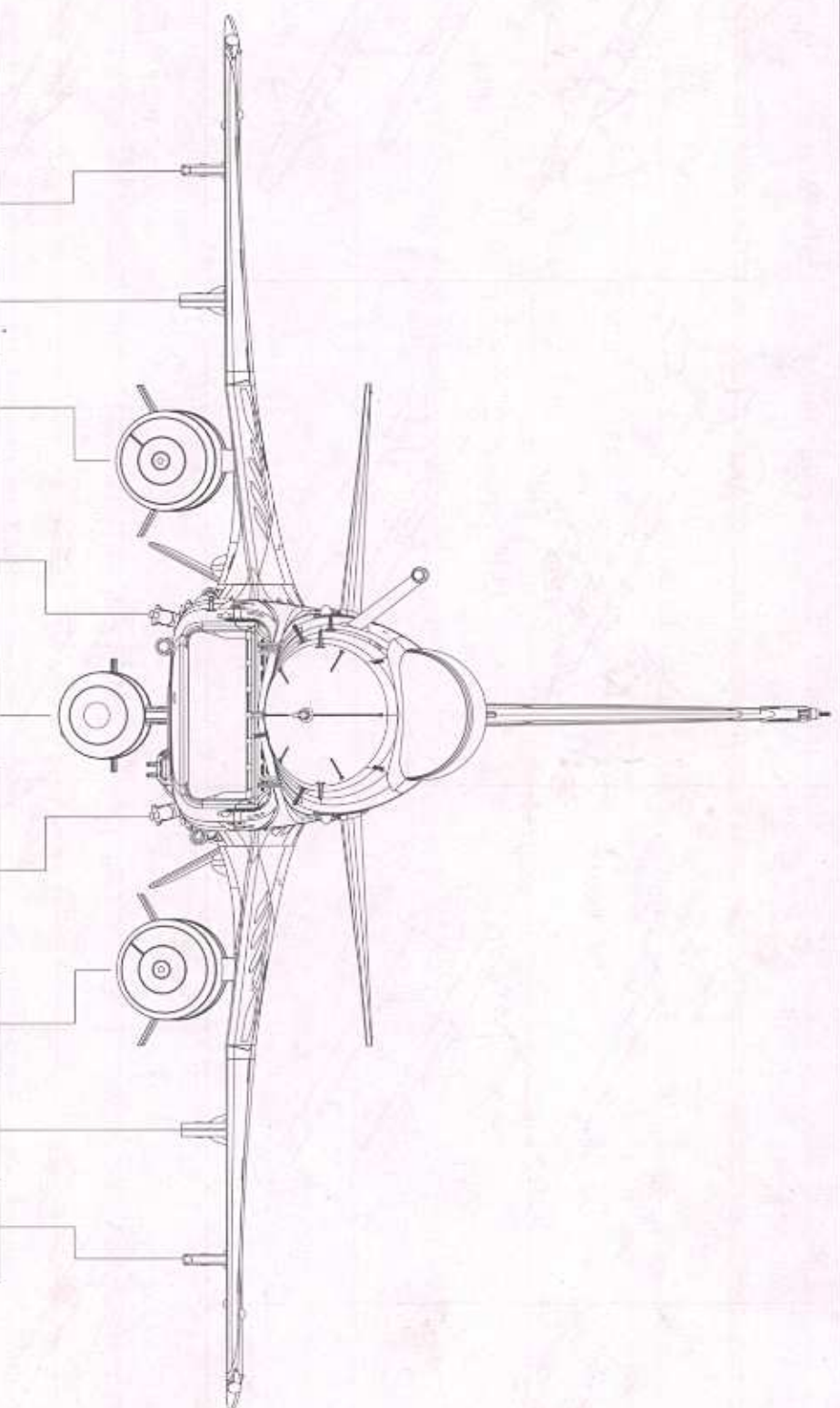


制作2组
Make two

《PL-12》



制作2组
Make two



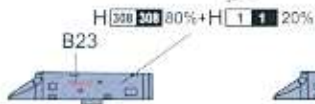
Sta.No.	1	2	3	Front	Back	4	Front	Back	5	6	7
Missile/Tank 250-3				●	●		●	●			
PL-5	●										●
PL-7	●										●
PL-8	●										●
PL-9	●										●
PL-11		●	●						●	●	
PL-12		●	●						●	●	
Fuel Tank I			●			●					
Fuel Tank II											

涂装同标贴指示

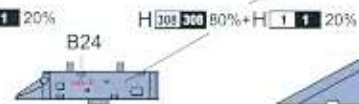
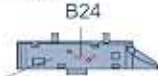
Painting & Marking guide

PAINT REFERENCE COLOUR					PAINT REFERENCE COLOUR						
Color	Mr.Hobby	Vallejo	Model Master	Tamiya	Humbrol	Color	Mr.Hobby	Vallejo	Model Master	Tamiya	Humbrol
White	H 101	842	1745	XF2	22	Smoke Blue	H 101 101	-	-	-	-
Black	H 101 01	893	1786	XF10	53	White	H 101 210	361	1745	X2	22
Grey	H 101 300	890	1728	XF19	127	Dark Blue	H 101 304	357	1711	XF52	106

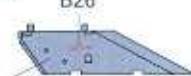
G12/G13



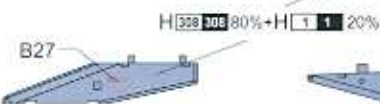
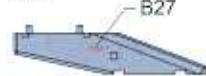
G4/G5



G7



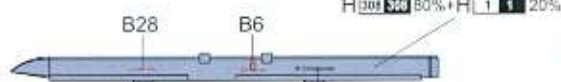
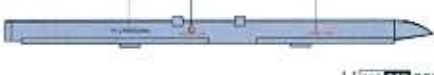
G6



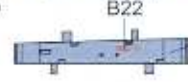
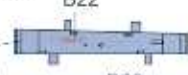
G9



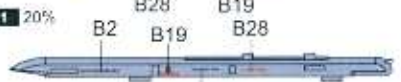
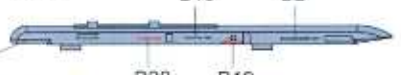
PL8



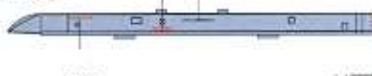
G10



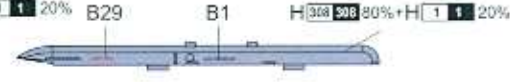
PL4



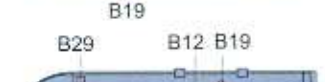
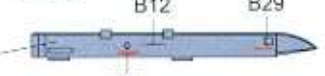
PL5



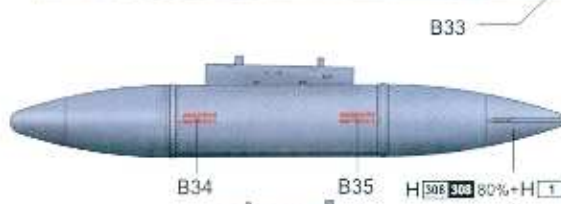
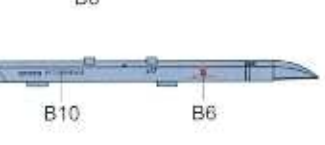
PL7



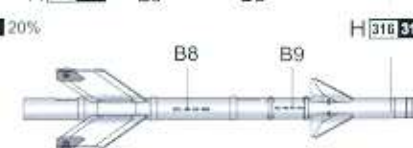
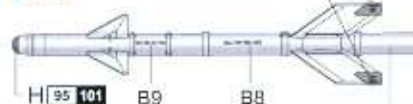
PL24



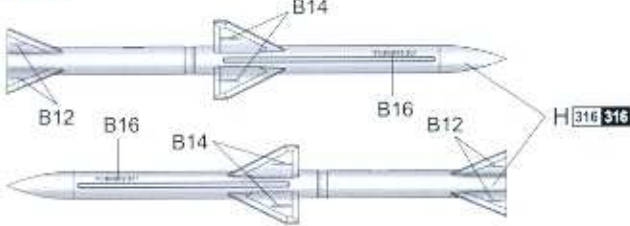
PL6



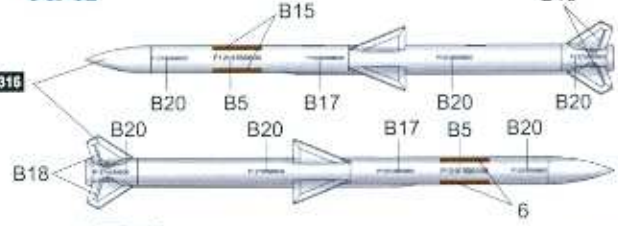
PL-8



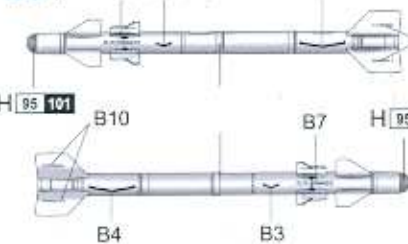
PL-11



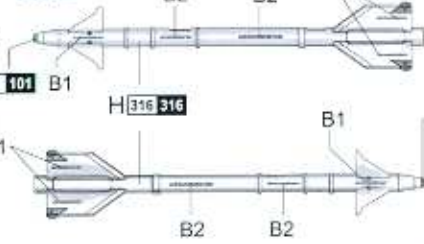
PL-12



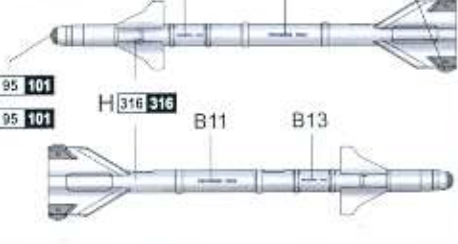
PL-7



PL-5



PL-9



H □ AQUEOUS HOBBY COLOR ■ Mr. COLOR