

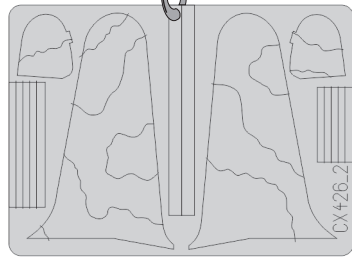
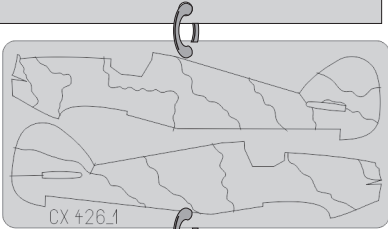
eduard
MASK

CX 426

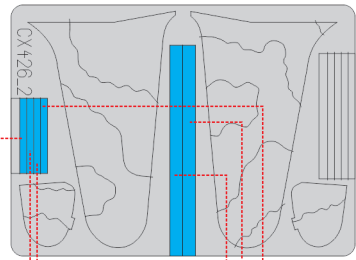
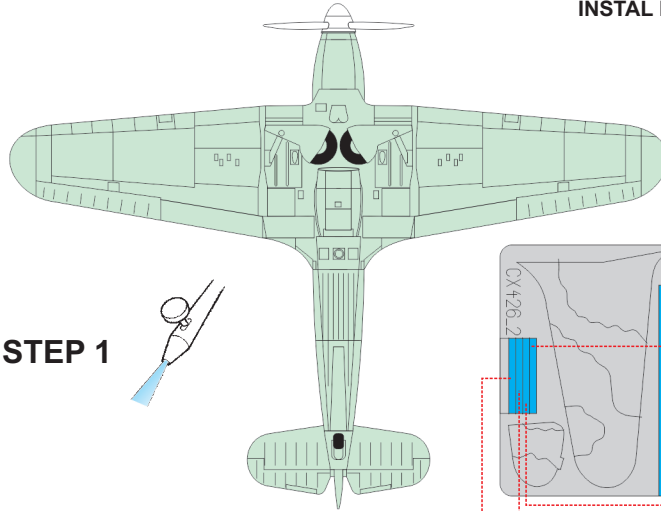
Hurricane camo scheme B

The die-cut mask for accurate camouflage painting of the
scale 1/72

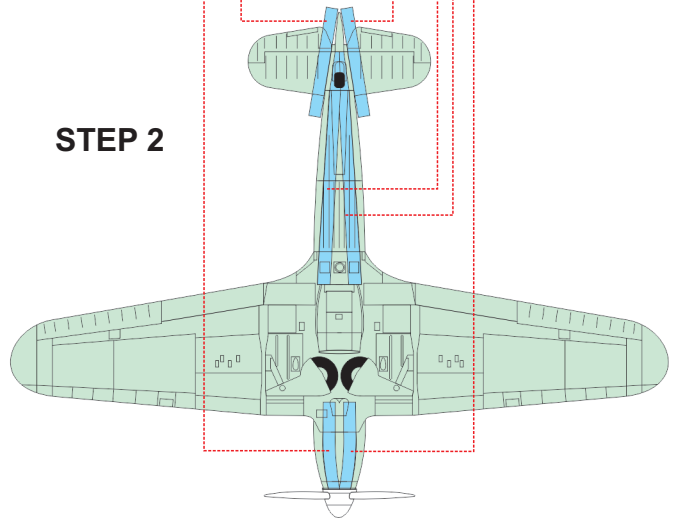
NOTE:
INSTAL EXHAUST ON PAINTED KIT



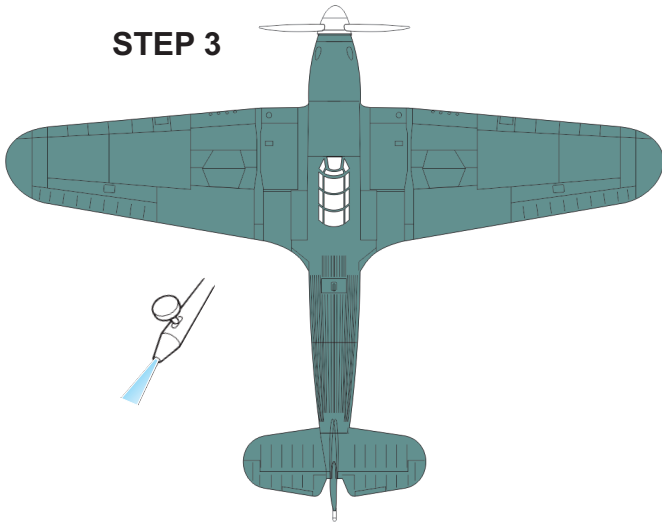
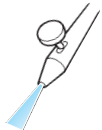
STEP 1



STEP 2



STEP 3



STEP 4

