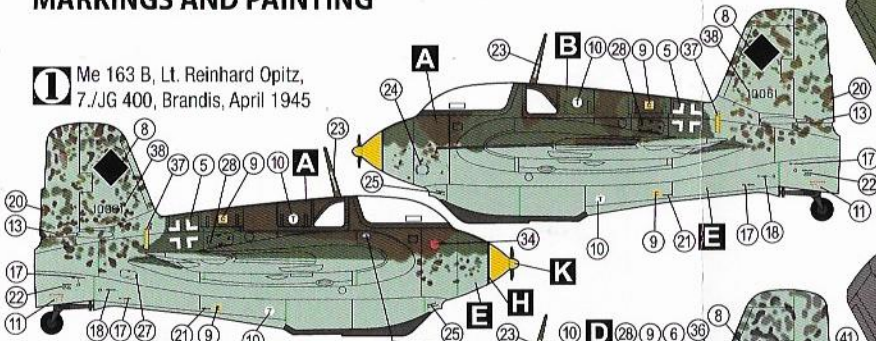
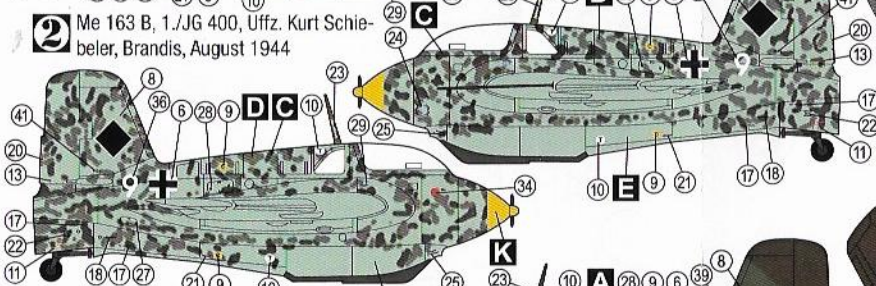


MARKINGS AND PAINTING

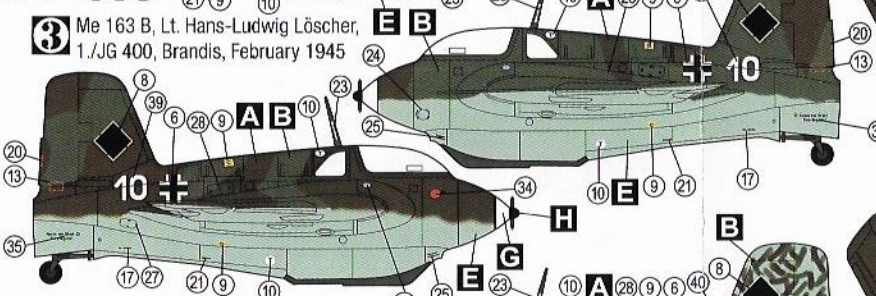
1 Me 163 B, Lt. Reinhard Opitz, 7./JG 400, Brandis, April 1945



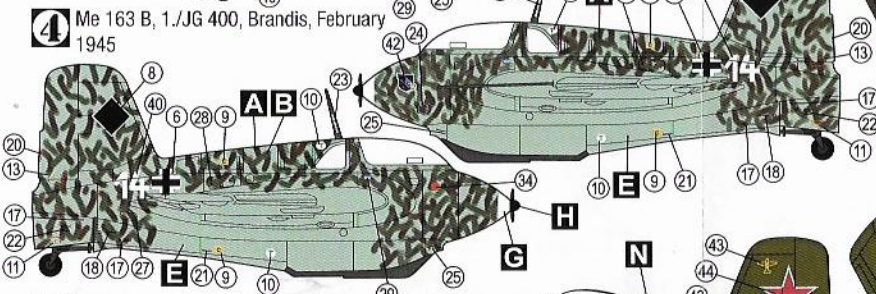
2 Me 163 B, 1./JG 400, Uffz. Kurt Schiebeler, Brandis, August 1944



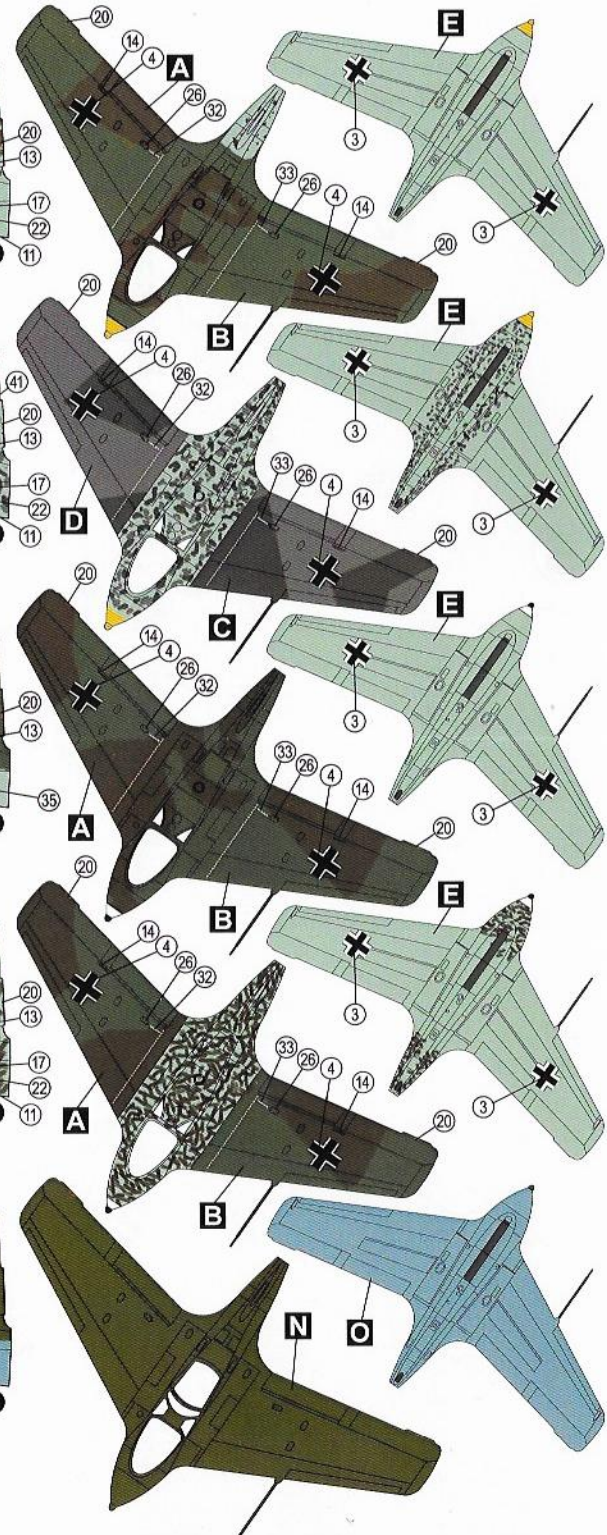
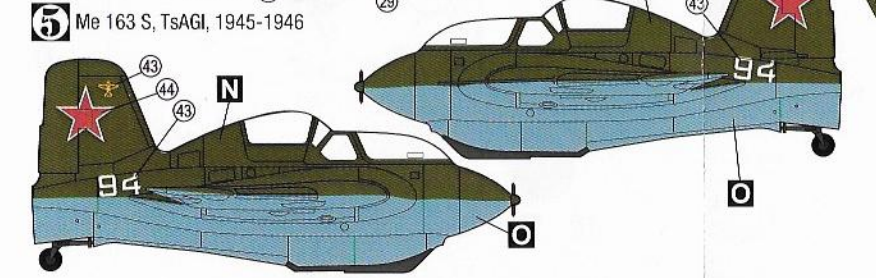
3 Me 163 B, Lt. Hans-Ludwig Löscher, 1./JG 400, Brandis, February 1945



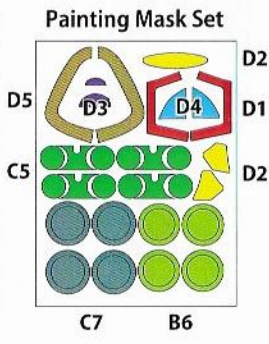
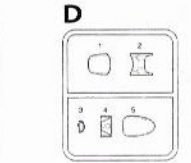
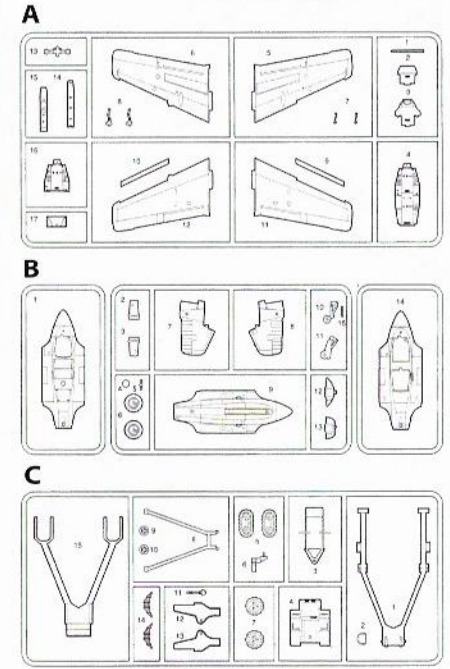
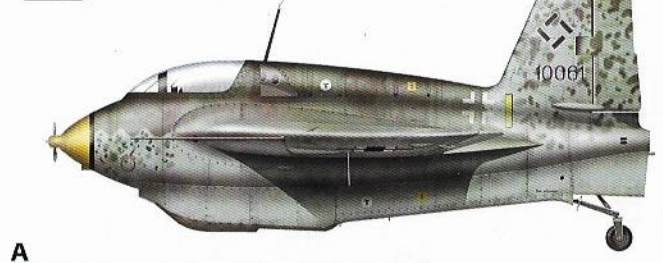
4 Me 163 B, 1./JG 400, Brandis, February 1945



5 Me 163 S, TsAGI, 1945-1946



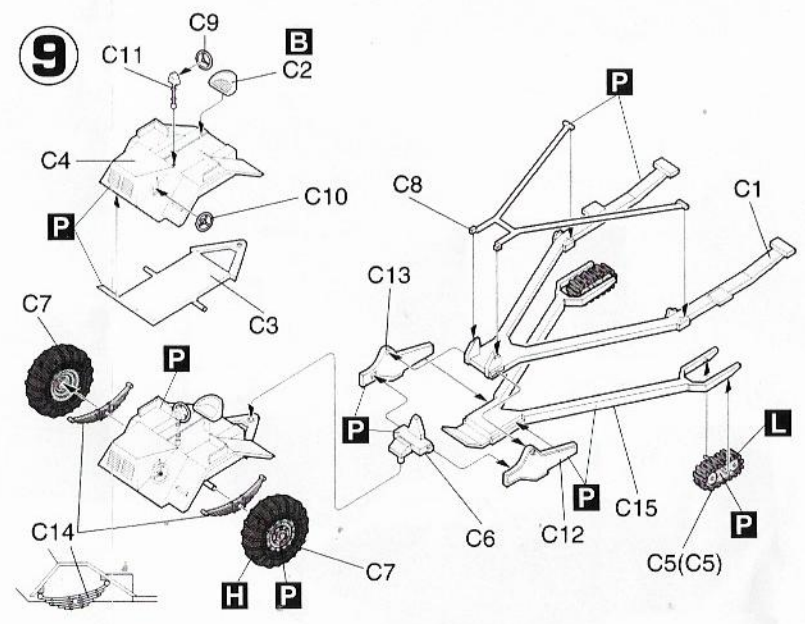
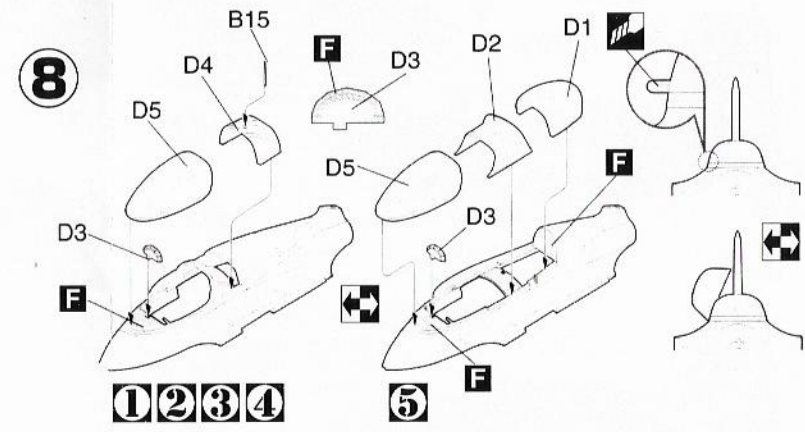
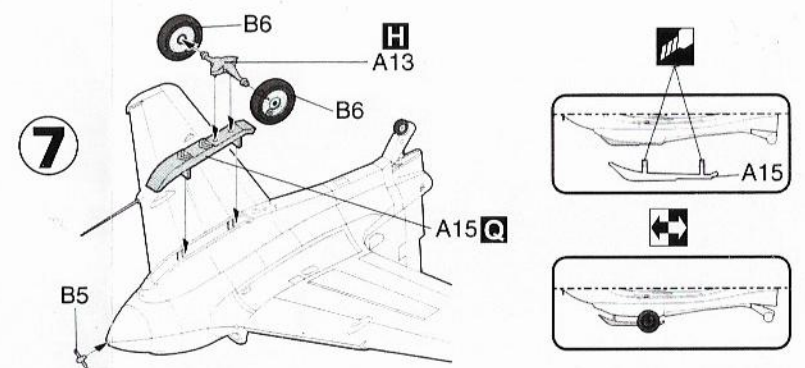
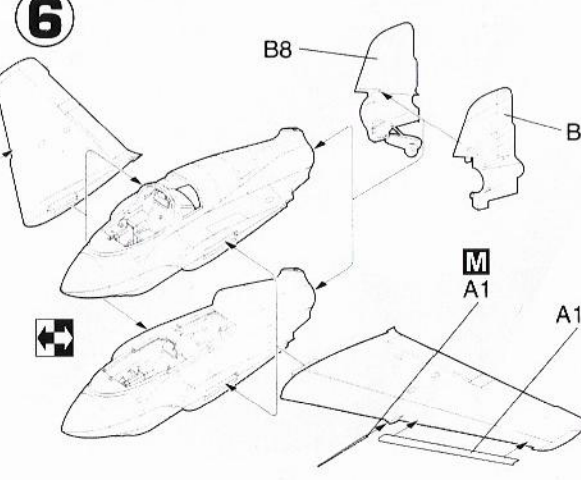
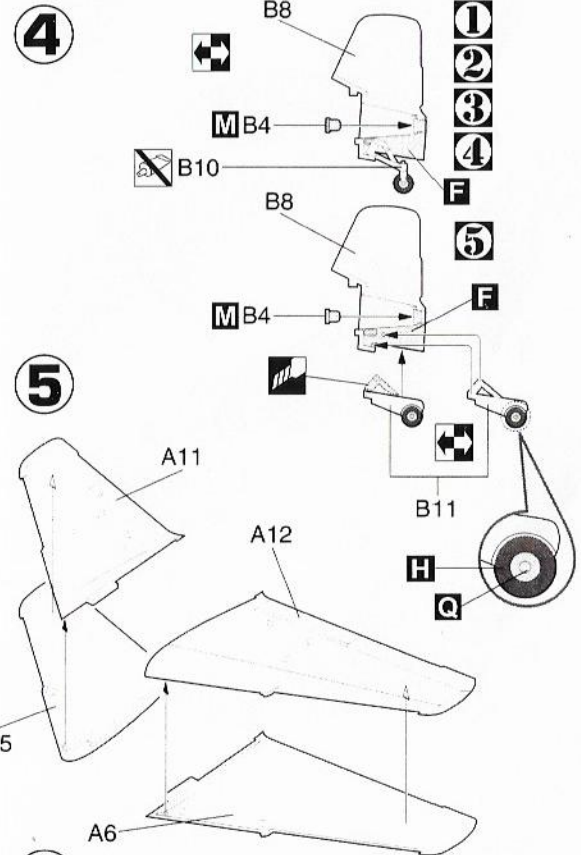
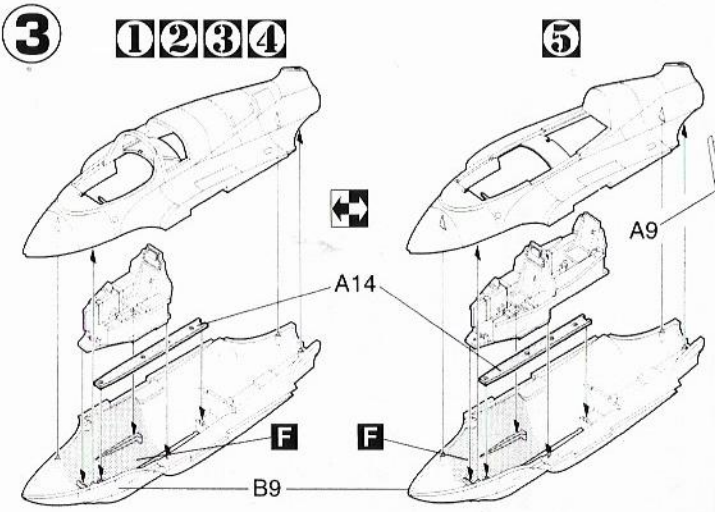
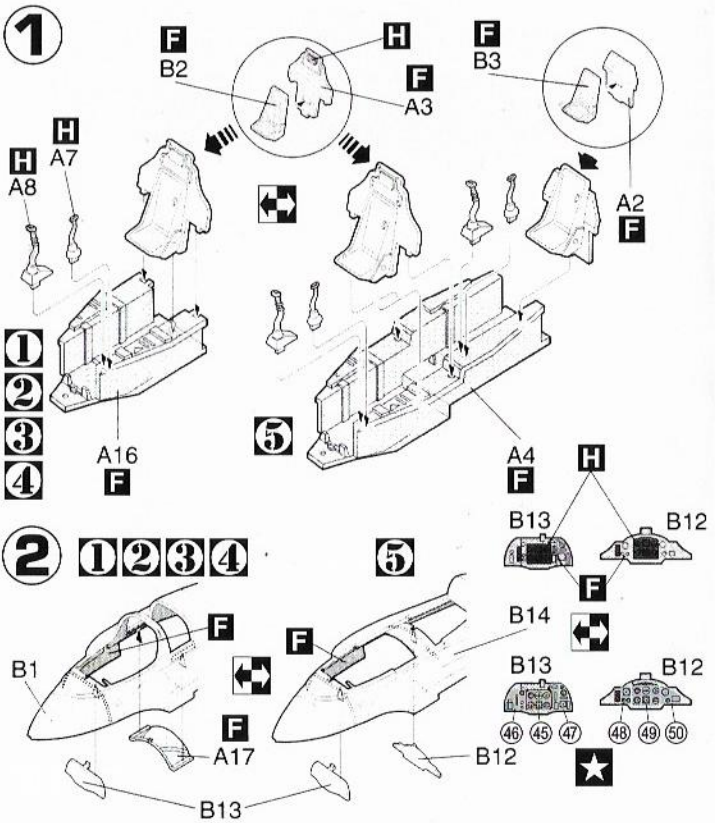
Messerschmitt Me 163 B/S 72061



©2022 Hobby 2000

Color Chart	AK Interactive	Alclad2	AMMO	HATAKA	Mr. COLOR	TAMIYA
RLM 81 Brown	A RC325		255	008	121	XF-51
RLM 82 Green	B RC326		230	020	122	
RLM 74	C RC278	E220	253	313	36	
RLM 75	D RC279	E221	254	007	37	
RLM 76 Light Blue	E RC321	E222	063	038	117	
RLM 66 Black Gray	F RC339	121	218	040	116	XF-24
Flat White	G RC004	101	047	101	62	XF-2
Flat Black	H RC001	102	046	100	33	XF-1
RLM 02 Gray	I RC266	E202	217	023	60	XF-20
Gun Metal	J RC015	120	045	106	214	X-10
RLM 04 Yellow	K RC267	E102	048	066	113	XF-3
Metallic Gray	L AK1111		035		28	XF-56
Silver	M AK-478	401	195	003	8	X-11
AMT-4 Green	N RC315		080	073		XF-5
AMT-7 Blue	O RC316		251	072		XF-50
Dunkelgelb	P RC062	E251	010	244	39	XF-60
Gloss Black	Q AK471	305	032		2	X-1

APPLY DECAL HIEAR ABZIEHBILD KALKOMANIA POUŽIJTE OBTISK	APPLICARE DECALCOMANIE PONER CALCOMANIA APPLIQUER DECALCOMANIE	REMOVE ENTFERNEN USUNĄC ODSTRANIĆ	SEPARARE CORTAR RETRIRER	DO NOT CEMENT NICHT KLEBEN NIE SKLEJAC NELEPIT	NE PAS COLLER NO PEGAR NON INCOLLARE	OPTION NACH BELIEBEN DO WYBORU VOLBA	FACULTATIF HACER AQUJERO FACULTATIVO
--	--	--	--------------------------------	---	--	---	--



Messerschmitt Me 163 B/S Komet

1:72 Scale Model Kit



72061