



A1165-200

Coca-Cola® MODEL FB BEADED PANEL FRUEHAUF HOLIDAY VAN

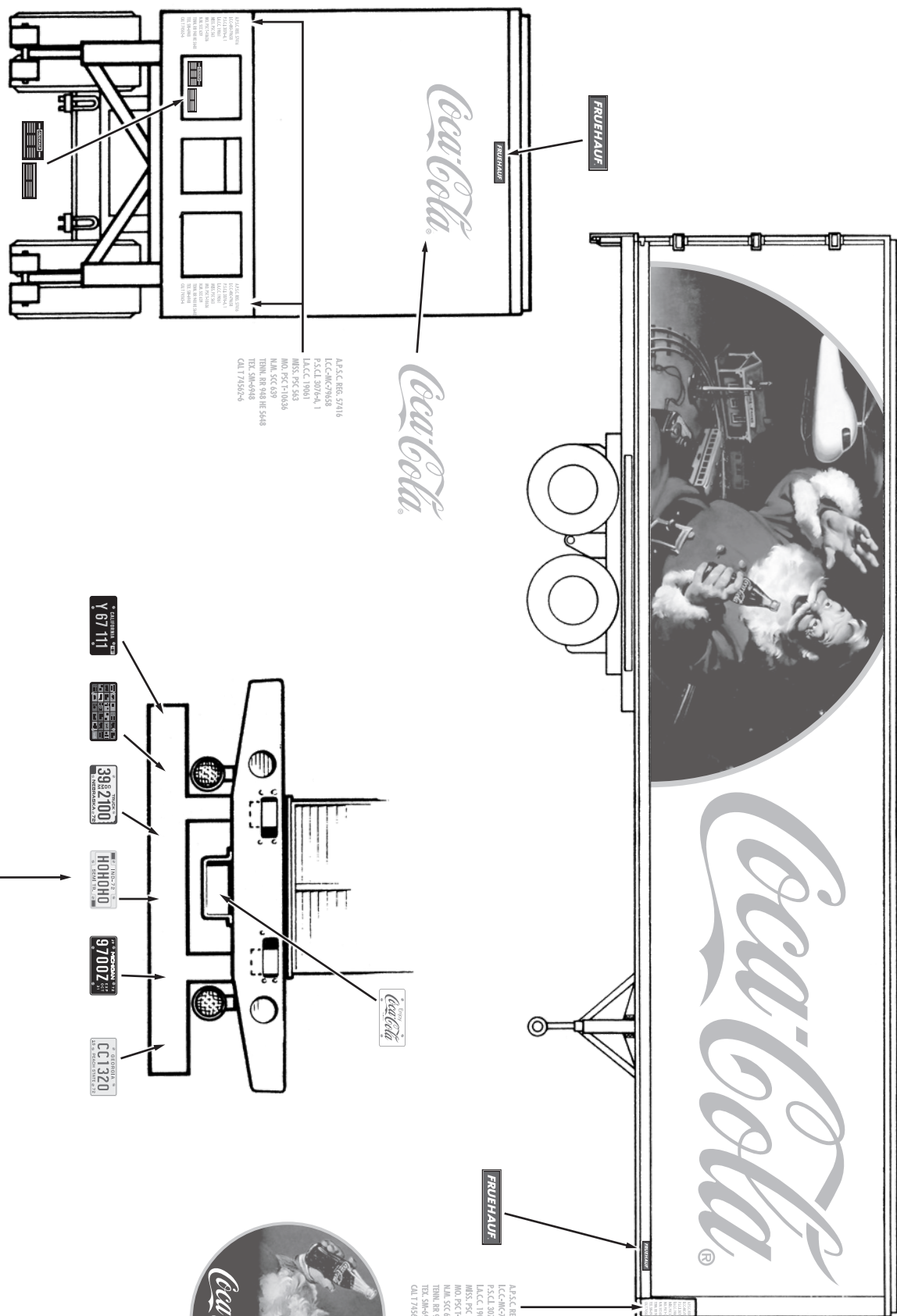
READ THIS BEFORE YOU BEGIN

AMT kits are molded from the finest High-Impact Styrene plastic. Use only paint and cement made for Styrene. Trim excess plastic from parts before joining. Use just enough cement to join parts, and be careful not to smear cement on exposed surfaces.

Look over this instruction sheet carefully before you begin building. Follow the assembly instructions and "test-fit" the parts without cementing. This will familiarize you with the location of the parts.

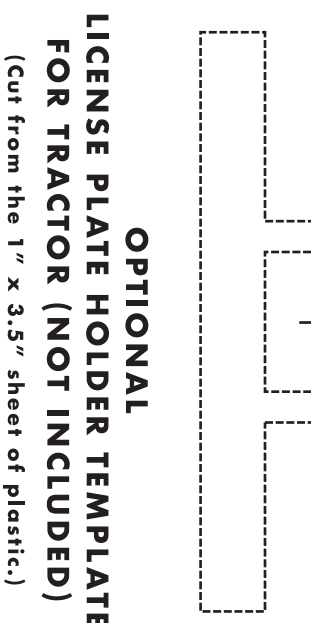
Built according to the instructions on this sheet, you should have no trouble assembling your model. Just FOLLOW THE NUMBERS. The parts are numbered in the order of assembly. (C) INDICATES "CHROME" PARTS.

DECAL PLACEMENT



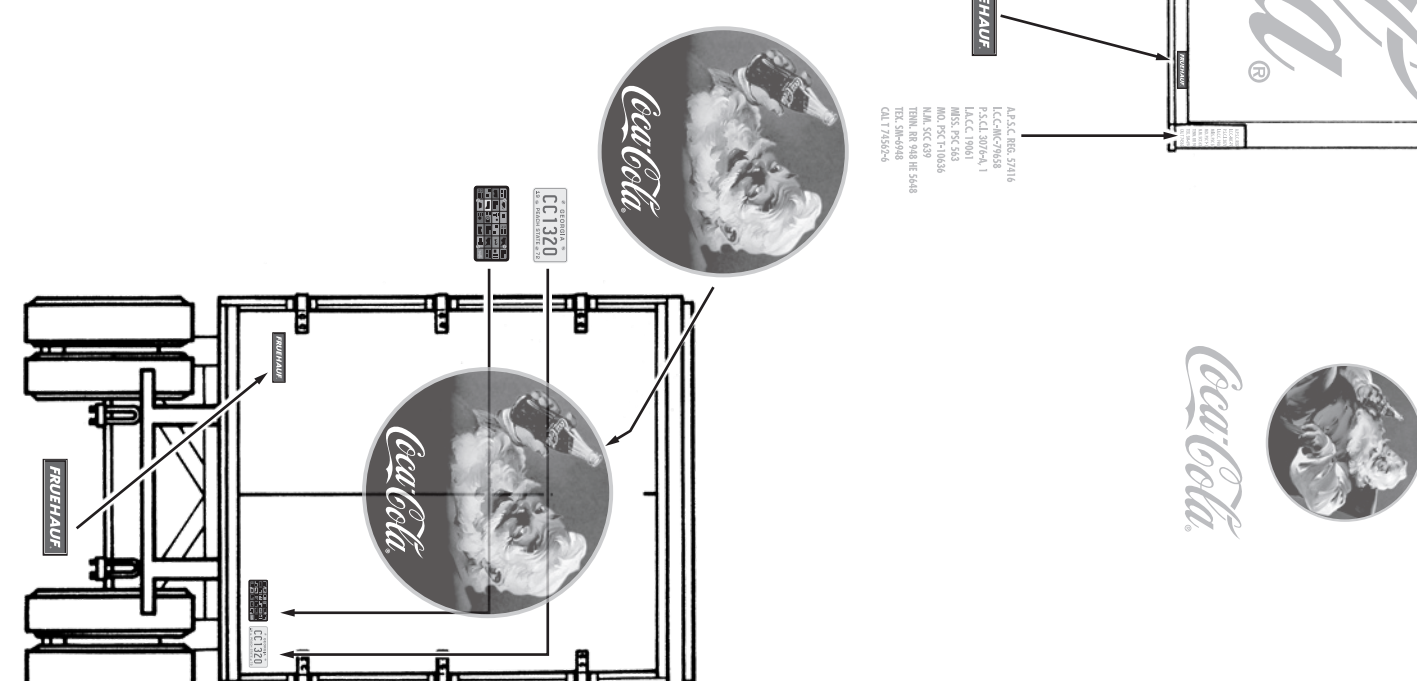
PAINT COLORS

A	Black	T	Steel	Q	Yellow	Y	Dark Green
B	Flat Black	J	Brass	R	Tan	Z	Gray
C	Semi-Gloss Black	K	Gold	S	Brown	WB	Wood Brown
D	White	L	Amber	T	Light Blue	BB	Pink
E	Flat White	M	Transparent Amber	U	Med. Blue	BB	Body Color
F	Silver	N	Red	V	Dark Blue	BS	Semi-Gloss
G	Chrome (Bright Silver)	O	Transparent Red	W	Transparent Blue	▲	Gloss
H	Aluminum	P	Orange	X	Lt. Green	▲	Metallic



OPTIONAL LICENSE PLATE HOLDER TEMPLATE FOR TRACTOR (NOT INCLUDED) (Cut from the 1" x 3.5" sheet of plastic.)

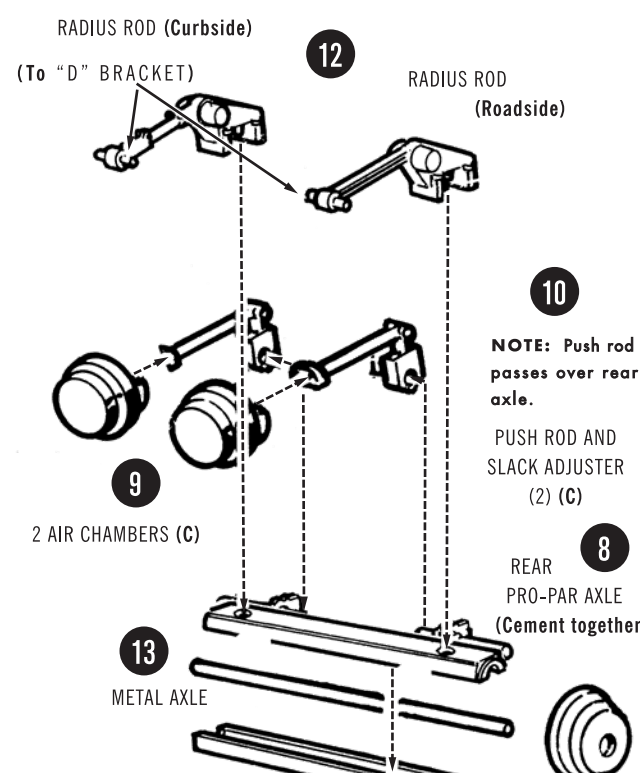
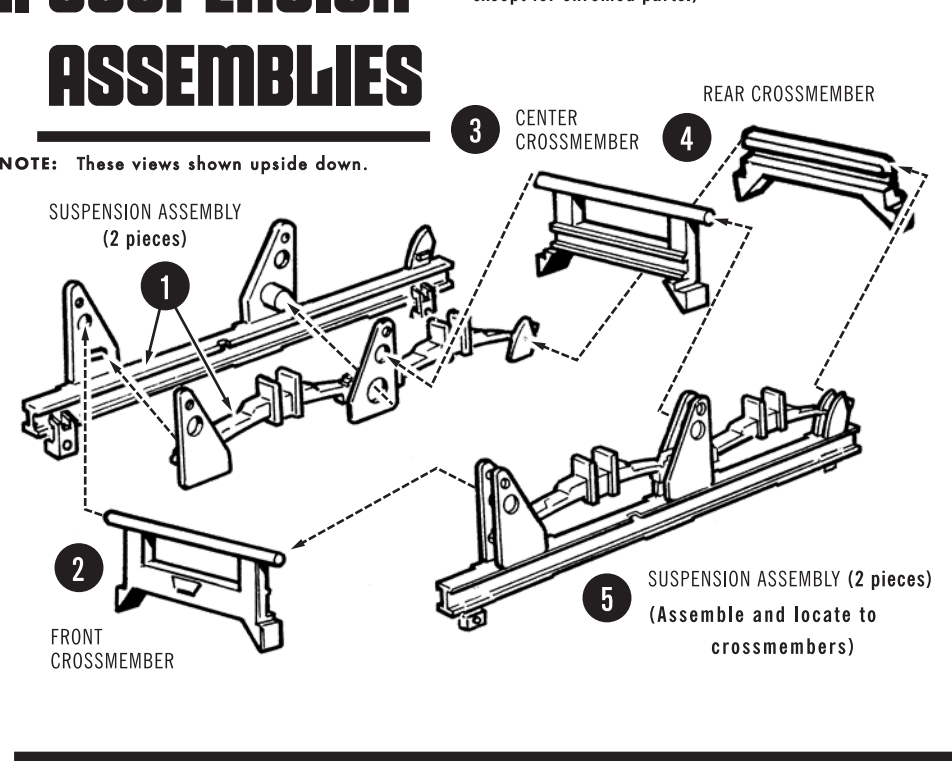
TRACTOR DECALS SHOWN BELOW (Tractor sold separately)



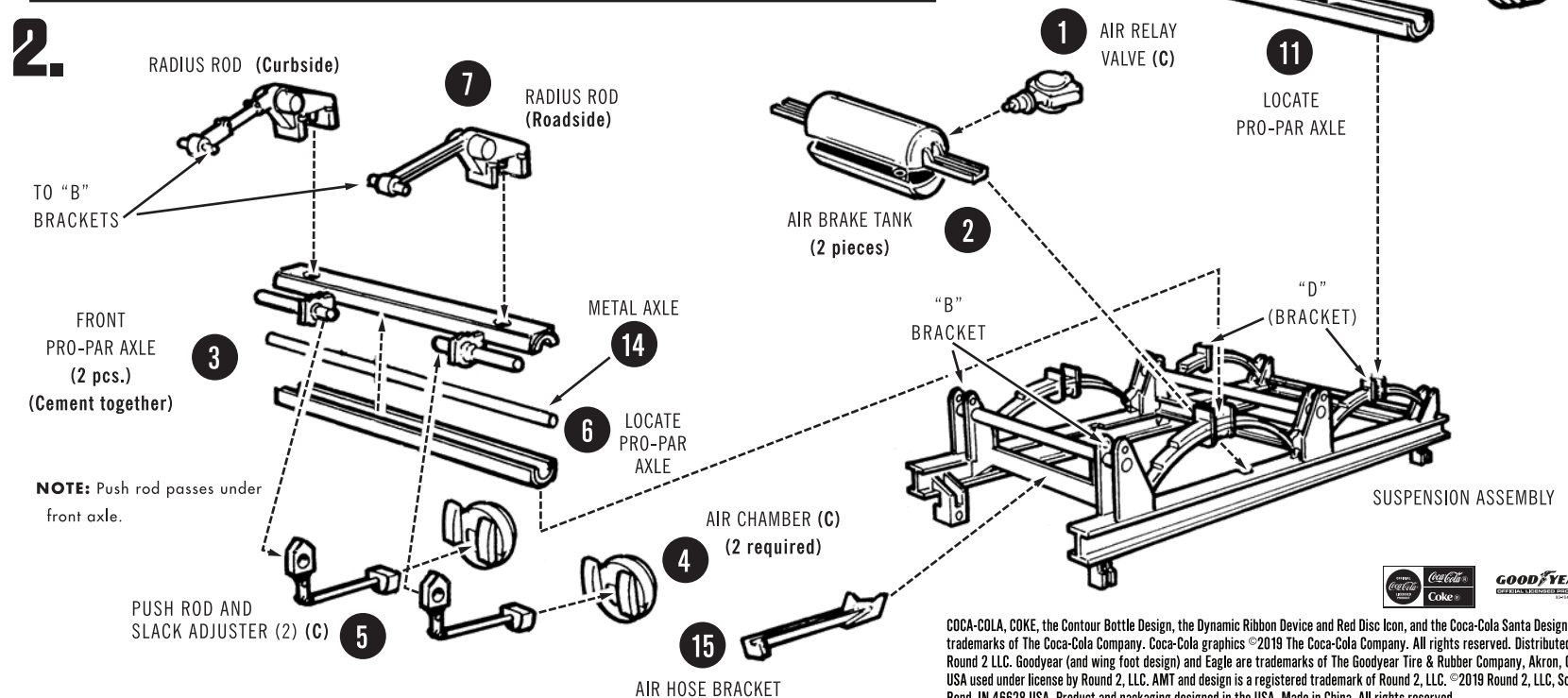
I. SUSPENSION ASSEMBLIES

(Paint all suspension parts in Steps 1 & 2 [E], except for chromed parts.)

NOTE: These views shown upside down.



NOTE: Push rod passes over rear axle.



NOTE: Push rod passes under front axle.

COCA-COLA, COKE, the Contour Bottle Design, the Dynamic Ribbon Device and Red Disc Icon, and the Coca-Cola Santa Design are trademarks of The Coca-Cola Company. Coca-Cola graphics ©2019 The Coca-Cola Company. All rights reserved. Distributed by Round 2 LLC. Goodyear (and wing foot design) and Eagle are trademarks of The Goodyear Tire & Rubber Company, Akron, Ohio USA used under license by Round 2, LLC. AMT and design is a registered trademark of Round 2, LLC. ©2019 Round 2, LLC, South Bend, IN 46628 USA. Product and packaging designed in the USA. Made in China. All rights reserved.

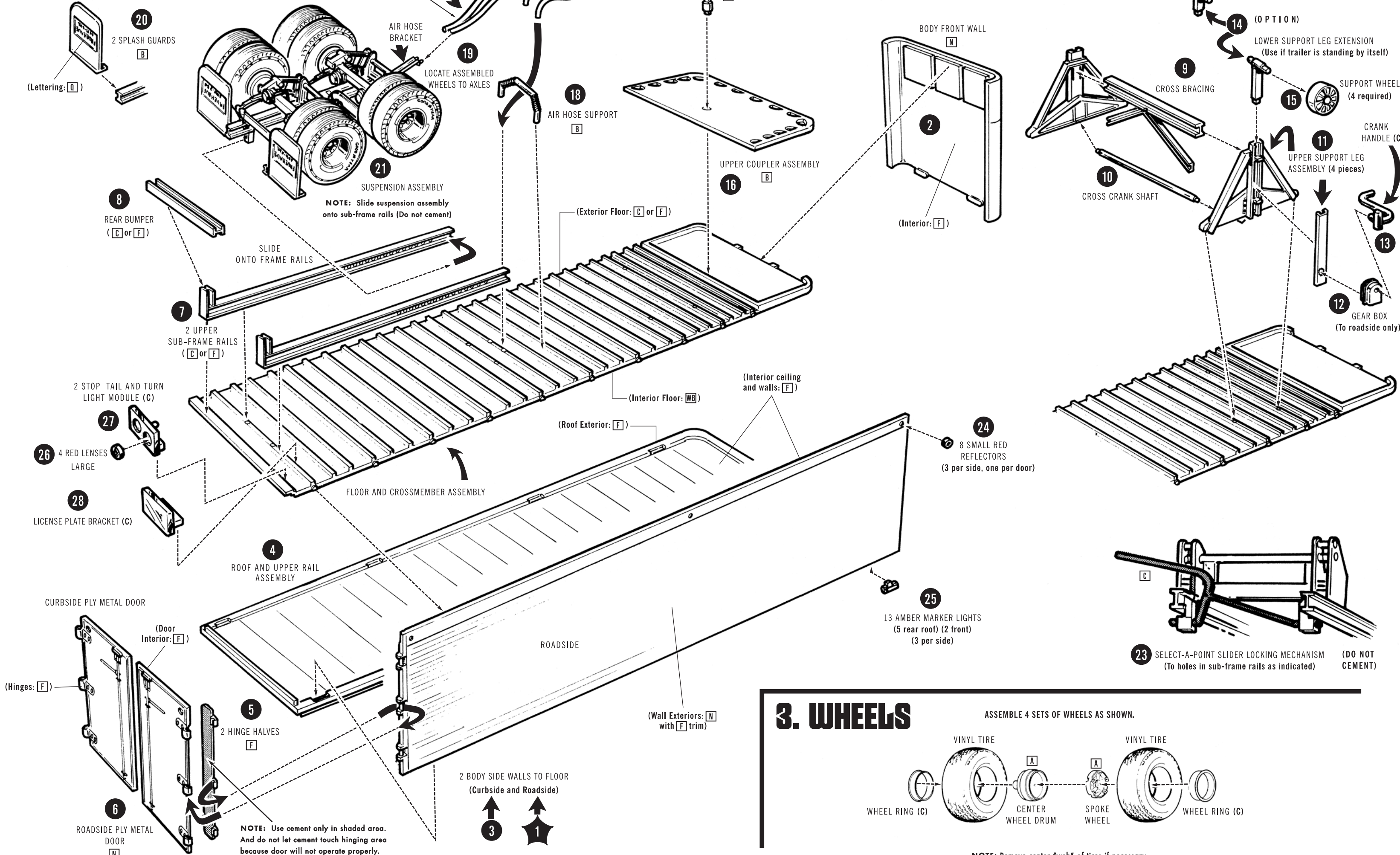
4. FINAL ASSEMBLIES

NOTE: This view shown upside down.

22 BLACK VINYL TUBING FOR AIR HOSES
 NOTE: Attach to holes on floor bottom crossmember and to air hose bracket.
 Cut the supplied hose in 2 equal halves.

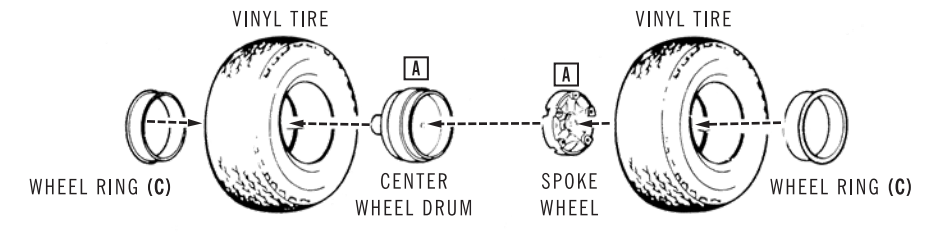
17 KING PIN (To fifth wheel on tractor)
 (TRACTOR NOT INCLUDED)

(Paint all support parts [C] or [F], except for chromed parts.)
 LOWER SUPPORT LEG (Use if trailer is attached to tractor)
 (OPTION)
 LOWER SUPPORT LEG EXTENSION (Use if trailer is standing by itself)



3. WHEELS

ASSEMBLE 4 SETS OF WHEELS AS SHOWN.



NOTE: Remove center "web" of tires if necessary.