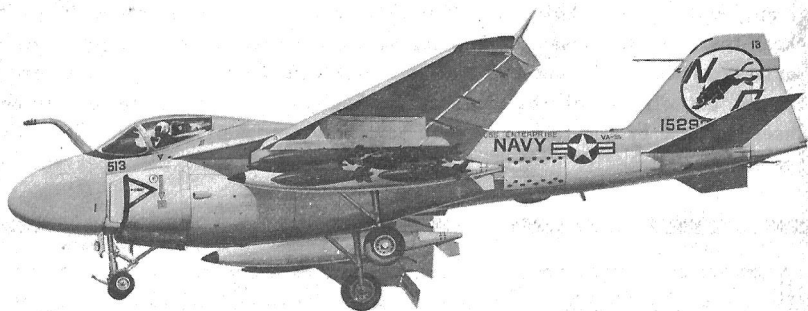


# 1:72 AUTHENTIC SCALE GRUMMAN A-6A INTRUDER



## GRUMMAN A-6A INTRUDER

U. S. Navy attack carriers. two-seat lowlevel shipboard strike aircraft entered operational service in 1964. It employs AGM-12 Bullpup air-to-surface missiles modified to operate with automatic radar techniques. This is also equipped with a Digital Integrated Attack System (DIANE), the primary components of which are terrain mapping, search and Doppler radar, air data and central digital computers, and an automatic flight control system. Max. speed, 685 m.p.h. (Mach 0.9)

## 1 / 72 COLLECTORS SCALE KITS

- |  |   |
|--|---|
| No. 1 ...MIKOYAN MIG-21 FISHBED.                 | No. 16 ...MESSERSCHMITT ME-410.                       |
| No. 2 ...LOCKHEED F-104J STARFIGHTER.            | No. 18 ...NORTHROP P-61 BLACKWIDOW.                   |
| No. 3 ...REPUBLIC F-105D THUNDERCHIEF.           | No. 19 ...FOKKER F-7B-3M SOUTHERN CROSS.              |
| No. 4 ...KAWANISHI TYPE 2 FLYING BOAT(H8K2).     | No. 20 ...VICKERS VIMY.                               |
| No. 5 ...NORTH AMERICAN F-86F SABRE.             | No. 21 ...GRUMMAN OV-1A or C, MOHAWK.                 |
| No. 6 ...NORTHROP F-5A FREEDOM FIGHTER.          | No. 22 ...GRUMMAN OV-1B or MOHAWK.                    |
| No. 7 ...NORTHROP T-38A TALON (F-5B).            | No. 23 ...SAAB AJ-37 VIGGEN.                          |
| No. 8 ...L.T.V. CORSAIR II.                      | No. 24 ...NORTH AMERICAN-ROCKWELL RA-5C<br>VIGILANTE. |
| No. 9 ...B.A.C. LIGHTNING F-MK.6.                | No. 25 ...WESTLAND WALLACE.                           |
| No. 10 ...MCDONNELL PHANTOM II F-4K.             | No. 26 ...BLACKBURN SHARK.                            |
| No. 11 ...MCDONNELL PHANTOM II F-4J.             | No. 27 ...WESTLAND LYSANDER MK.1 or MK.3.             |
| No. 12 ...18-SHI ATTACK BOMBER RENZAN "RITA".    | No. 28 ...JUNKERS JU87G STUKA.                        |
| No. 13 ...NORTH AMERICAN-ROCKWELL OV-10A BRONCO. | No. 29 ...DE HAVILLAND MOSQUITO MK.4 or MK.6.         |
| No. 14 ...LOCKHEED P-38 LIGHTNING.               |   |
| No. 15 ...WESTLAND GANNET.                       |   |

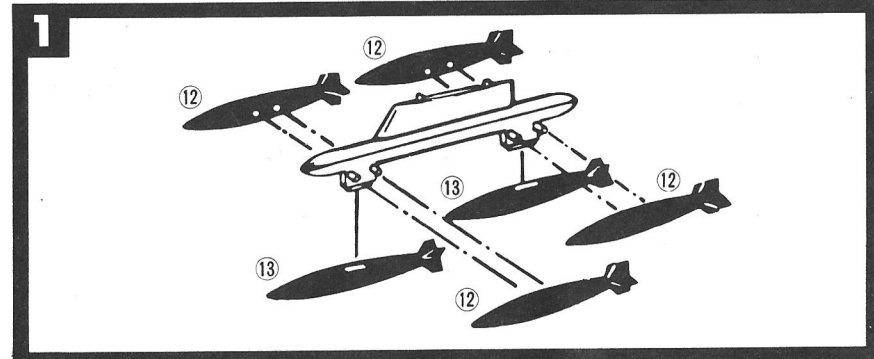
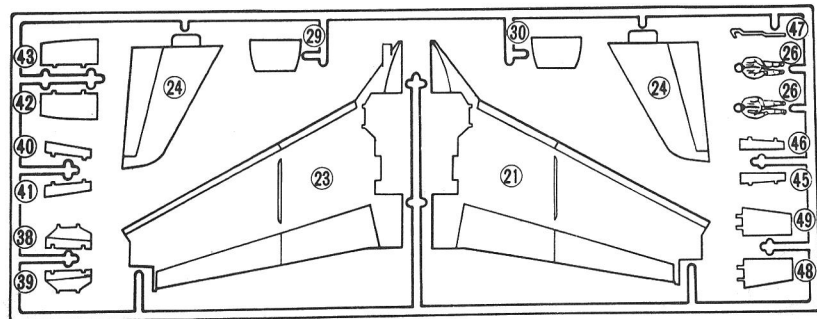
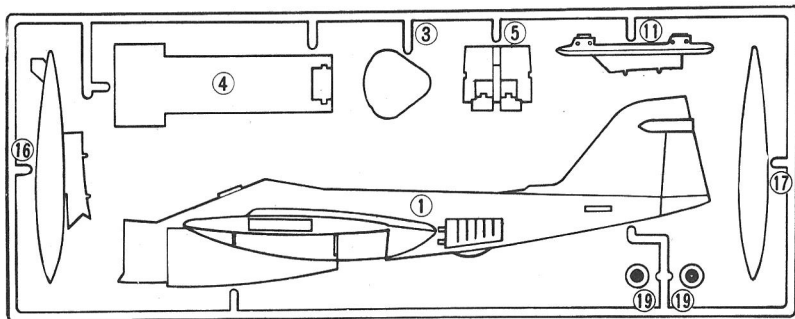
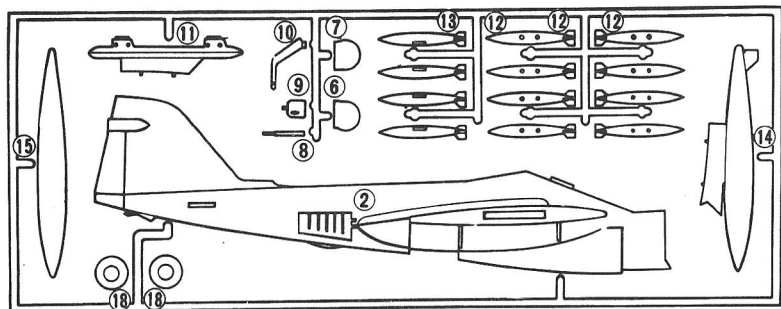
**Hasagawa**  
Kit No. JS-023

MANUFACTURED IN JAPAN  
& PACKED IN ENGLAND  
By A. A. HALES LTD.  
HINCKLEY, LEICS.

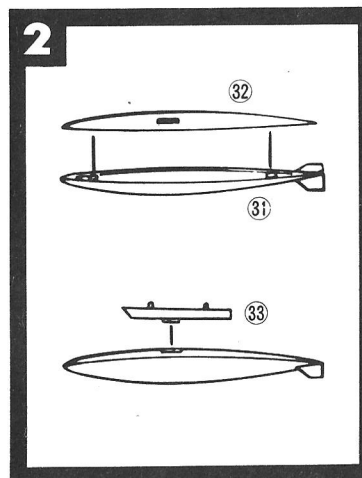
  
**HALES**

## PART DRAWINGS AND PART NUMBERS (Before Assembling Your Kit)

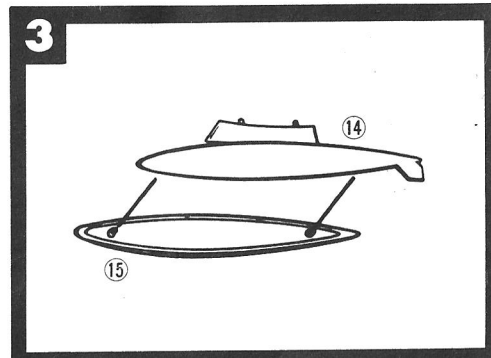
Read these instructions carefully before assembling your model and check the exact fit of the parts before cementing. Clean off excess plastic, if any, with a sharp knife or a file. Since many tiny parts are included, check them with the assembly drawing before assembling. Do not tear off parts from the stem, but cut them off carefully with nippers or tinsnips. Do not cut off all of the parts at the beginning, but cut each part to be assembled one by one to assure each part being properly identified. Do not use too much adhesive because surplus adhesive will spoil the appearance.



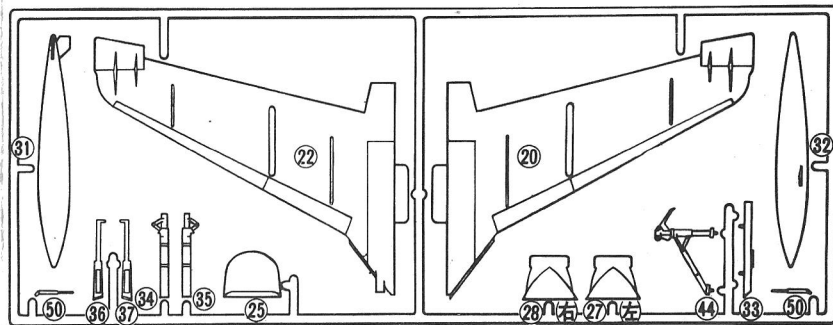
1 Bomb assembly.



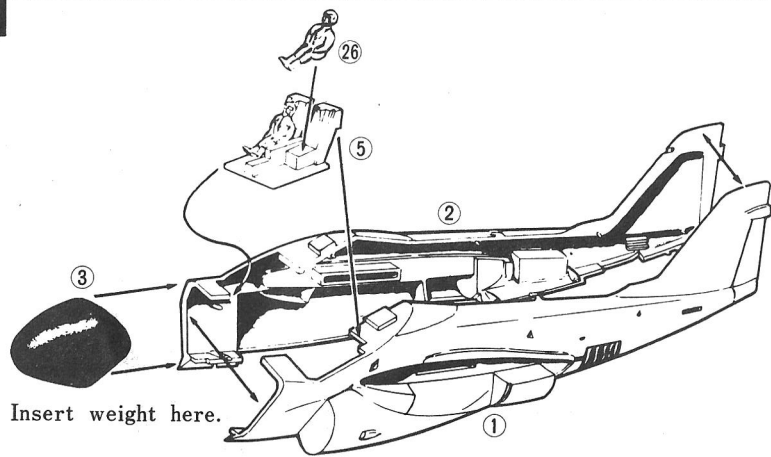
2 Central fuel tank assembly.



3 Fuel tank assembly. (under wing)

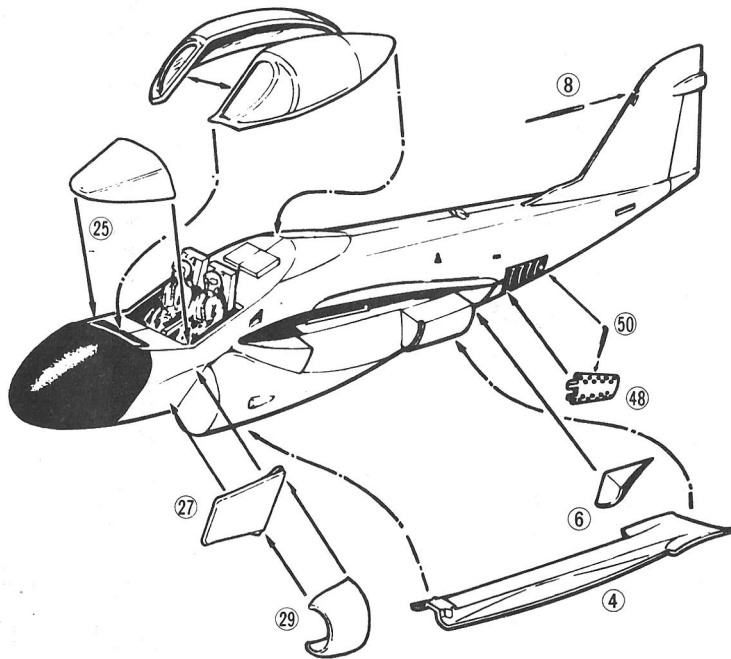


4



4 Assembly of cockpit, radome and fuselage.

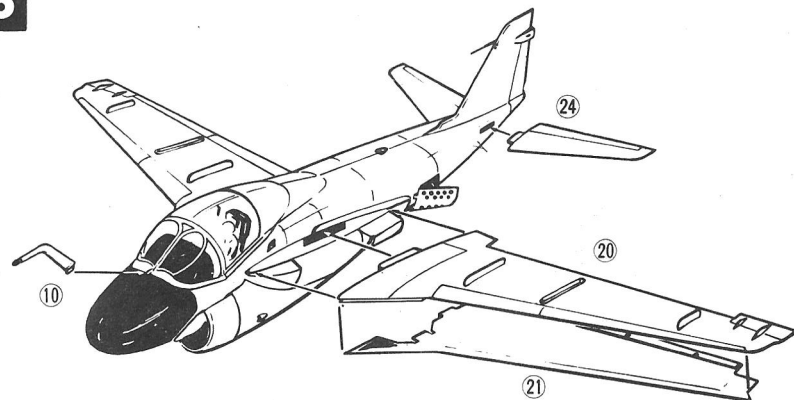
5



5 Fixing of instrument panel, canopy, air intake, exhaust nozzle, air brake and pitot tube.

● Cement part ④ before fixing air intake.

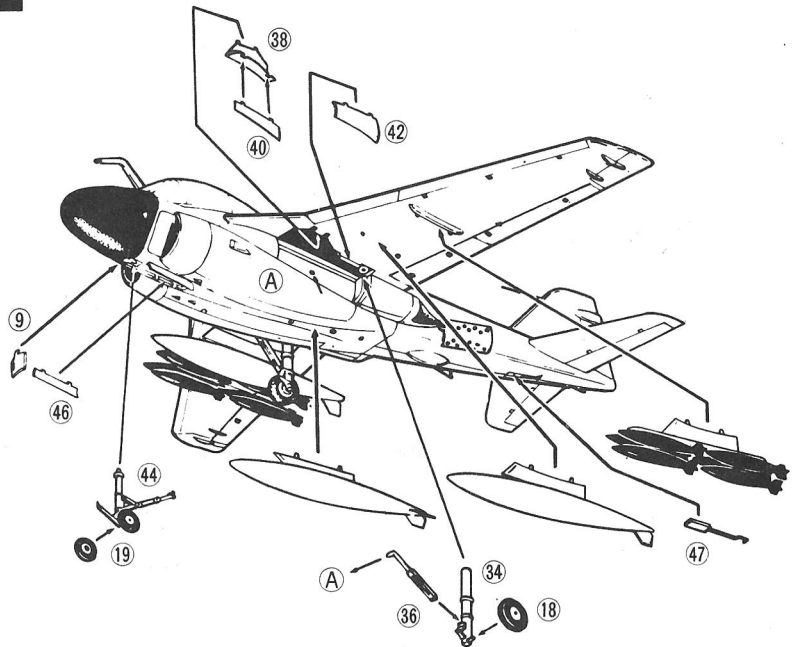
6



Refer next page for fixing of part ⑩.

6 Assembling of main wing and stabilizer.

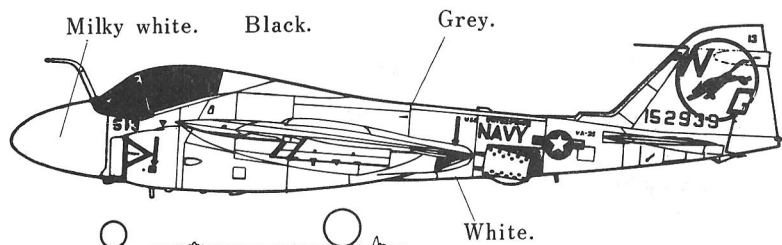
7



7 Fixing of bombs, additional fuel tanks, landing hook, wheels and covers.

## ■ Reference drawing for painting and decals.

- Refer painting guide on package for ship No. 401.
- Apply same color on upper and lower side of fuselage as ship No 401 to ship No. 513.



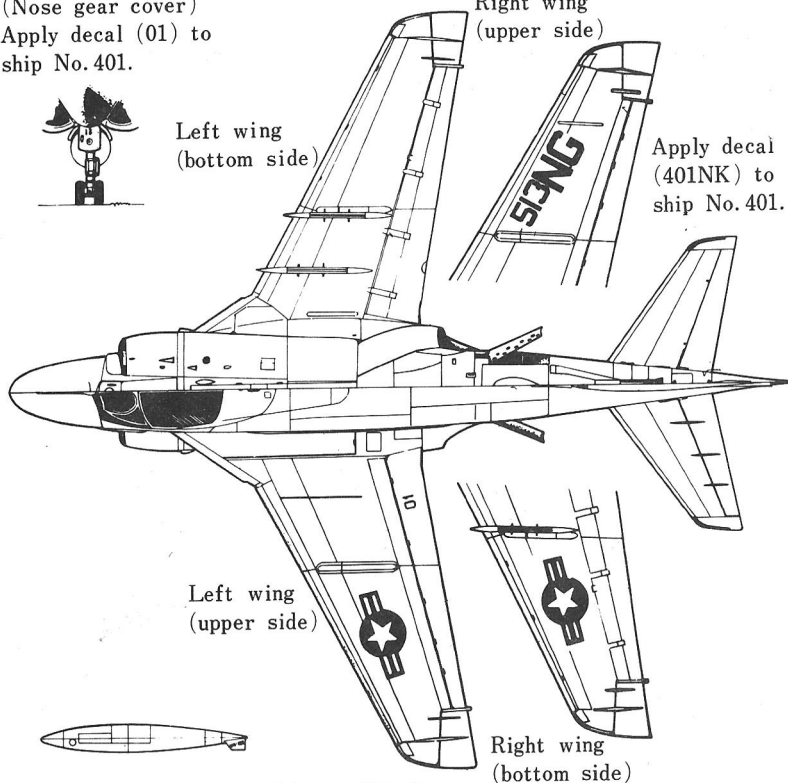
(Nose gear cover)  
Apply decal (01) to  
ship No. 401.



Left wing  
(bottom side)

Right wing  
(upper side)

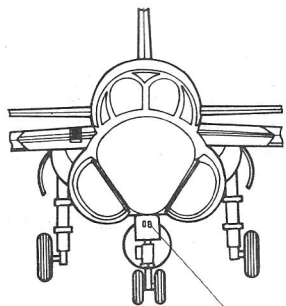
Apply decal  
(401NK) to  
ship No. 401.



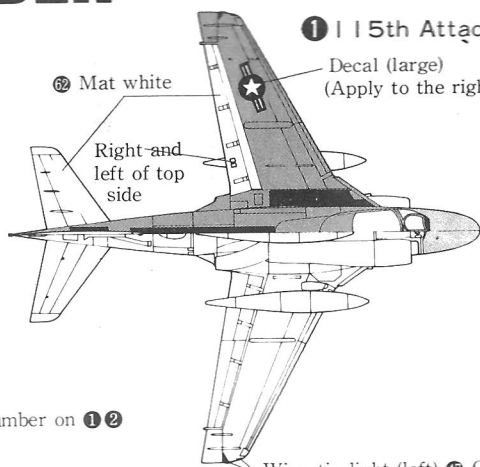
- |                      |       |                         |
|----------------------|-------|-------------------------|
| Interior cockpit     | ..... | Grey or Black.          |
| Instrument panel     | ..... | White or Yellow or Red. |
| Pilot suit           | ..... | Orange.                 |
| Pilot shoes          | ..... | Black.                  |
| Bomb                 | ..... | Black or Brown.         |
| Fuel tank            | ..... | White.                  |
| Wheel                | ..... | White.                  |
| Tire                 | ..... | Black (semi gloss).     |
| Inside of air intake | ..... | White.                  |

# A-6A INTRUDER

## Marking & Color Painting Guide



Apply to the same number on ① ②

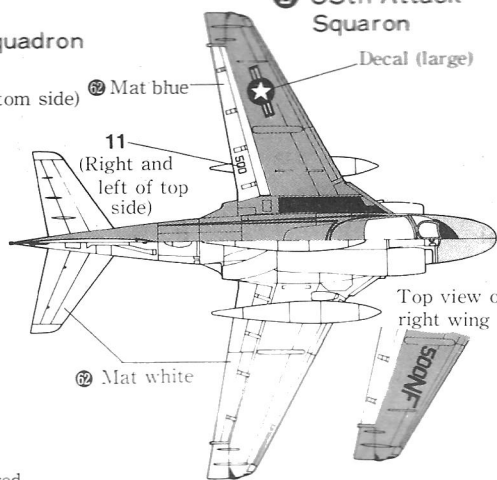


### ① 115th Attack Squadron

② Mat white

Right and left of top side

Decal (large)  
(Apply to the right bottom side)



### ② 65th Attack Squadron

② Mat blue

11  
(Right and left of top side)

Decal (large)

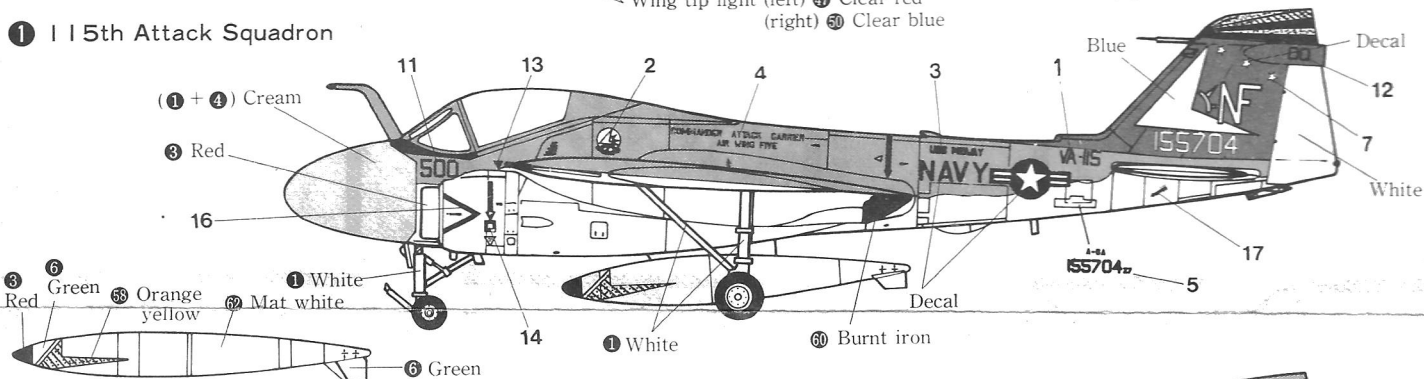
② Mat white

Top view of right wing



Wing tip light (left) ④ Clear red  
(right) ⑤ Clear blue

### ① 115th Attack Squadron



(① + ④) Cream

③ Red

16

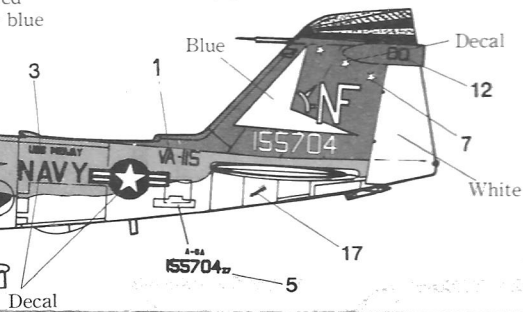
③ Red ⑥ Green ⑥ Orange yellow ② Mat white

① White

⑥ Green

① White

⑥ Burnt iron



Blue

Decal

12

7

White

ISS704

ISS704

ISS704

ISS704

ISS704

ISS704

ISS704

ISS704

ISS704

ISS704

ISS704

ISS704

ISS704

ISS704

ISS704

ISS704

ISS704

ISS704

ISS704

ISS704

ISS704

ISS704

ISS704

ISS704

ISS704

ISS704

ISS704

ISS704

ISS704

ISS704

ISS704

ISS704

ISS704

ISS704

ISS704

ISS704

ISS704

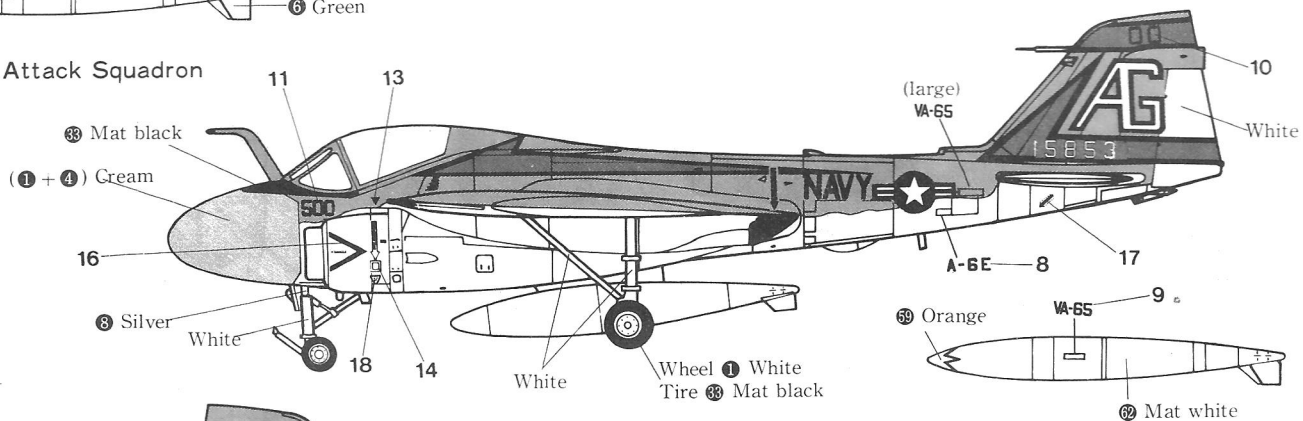
ISS704

ISS704

ISS704

ISS704

### ② 65th Attack Squadron



⑥ Mat black

(① + ④) Cream

16

⑧ Silver

White

18

White

Wheel ① White  
Tire ⑥ Mat black

(large)  
VA-65

(large)  
VA-65

(large)  
VA-65

(large)  
VA-65

(large)  
VA-65

(large)  
VA-65

(large)  
VA-65

(large)  
VA-65

(large)  
VA-65

(large)  
VA-65

(large)  
VA-65

(large)  
VA-65

(large)  
VA-65

(large)  
VA-65

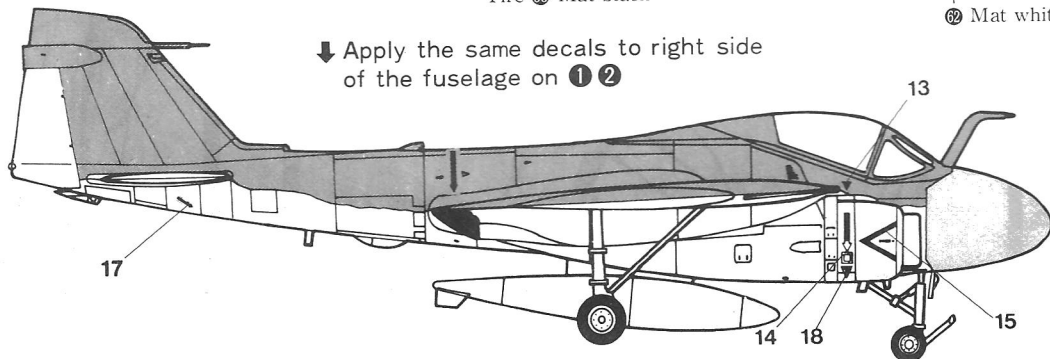
(large)  
VA-65

(large)  
VA-65

(large)  
VA-65

(large)  
VA-65

↓ Apply the same decals to right side of the fuselage on ① ②



17

14

18

13

15

② Mat white