

OPEL-PONTIAC LE MANS GSE

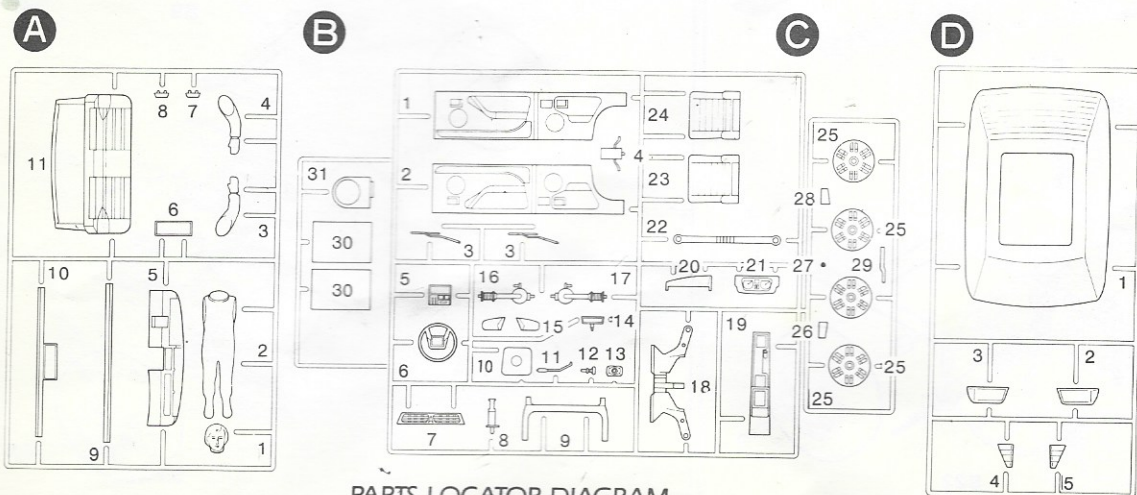
ACADEMY
MINICRAFT
MODEL KITS



MOTORIZED

1/24TH SCALE

READY TO ASSEMBLE



PARTS LOCATOR DIAGRAM

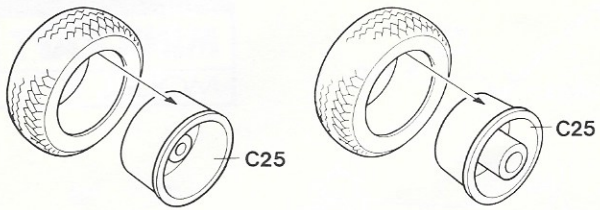


Cement parts
Coller
Kleben
Pegar
Incollare
Colar
Kleven

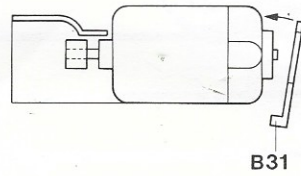
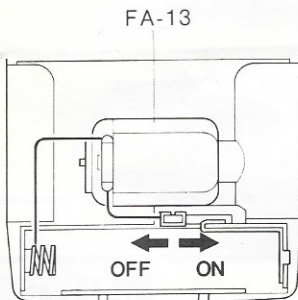
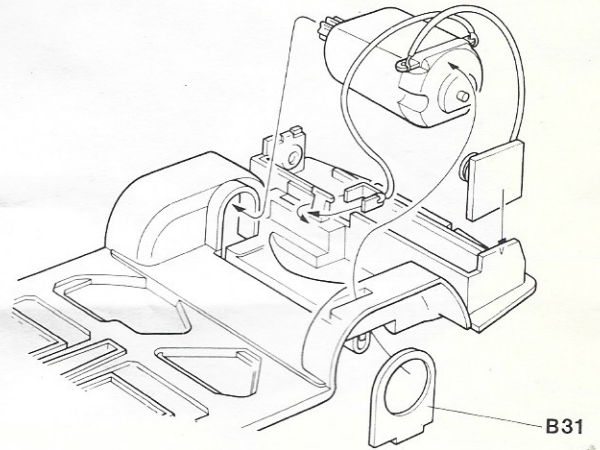
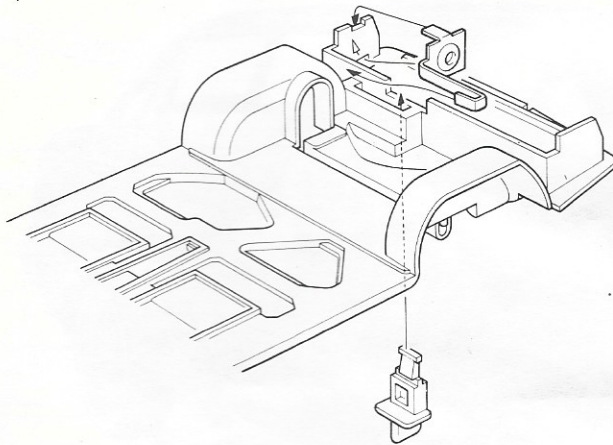
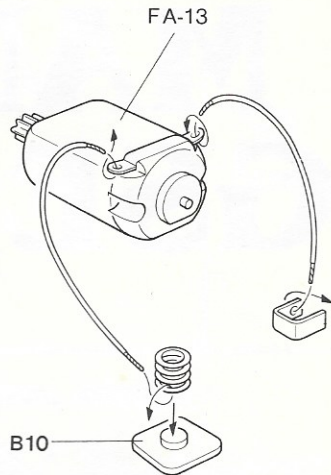


Do not cement
Ne pas coller
Nicht kleben
No pegar
Non incollare
Nao colar
Niet kleven

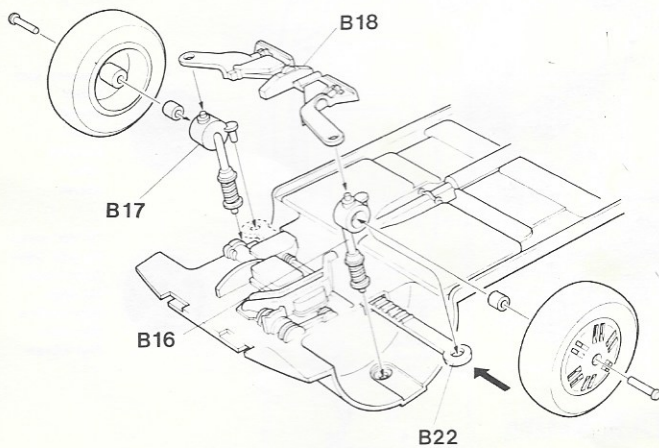
1 TIRE/WHEEL ASSEMBLY



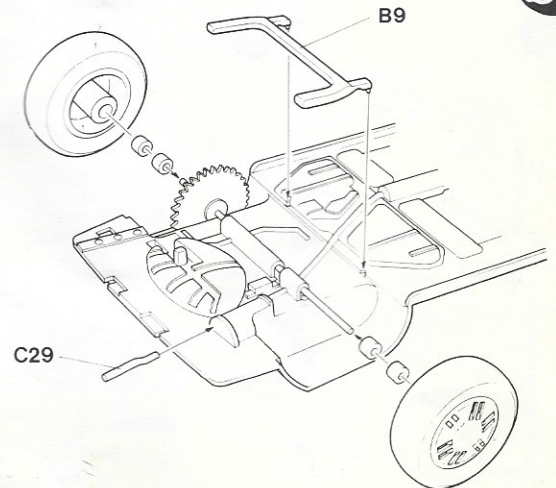
2 MOTOR/SWITCH ASSEMBLY



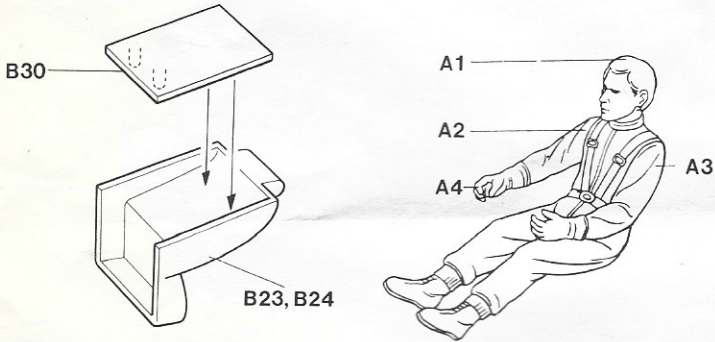
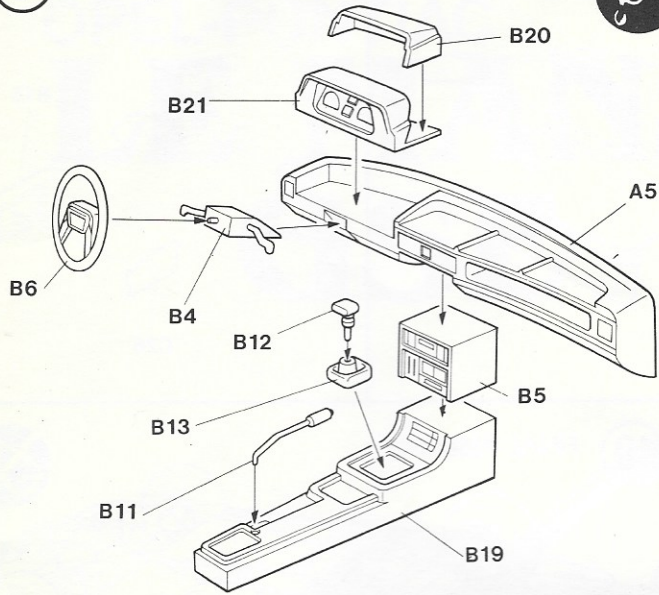
3 STEERING ASSEMBLY



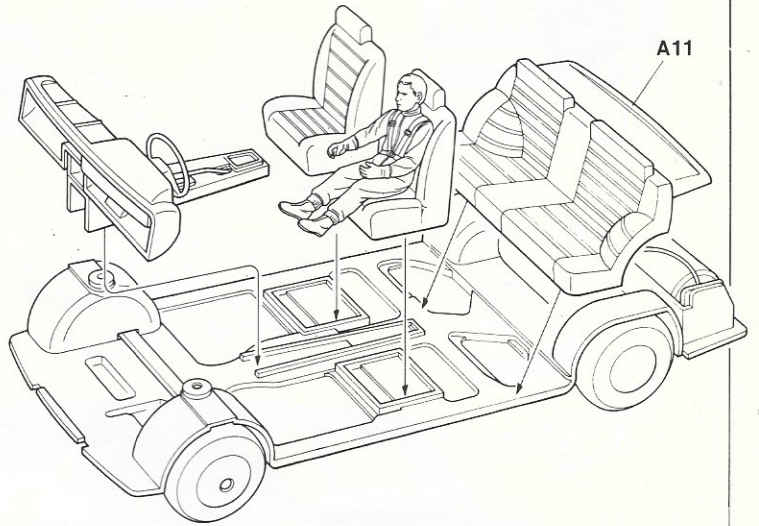
4 REAR WHEEL/GEAR ASSEMBLY



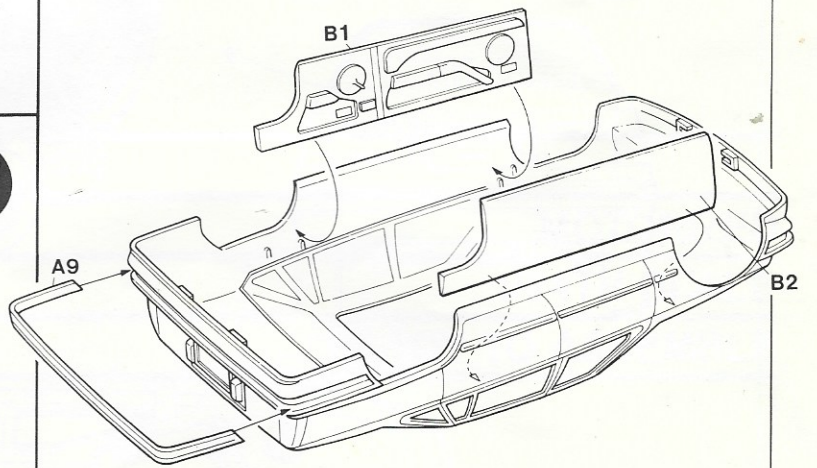
5 DASH ASSEMBLY



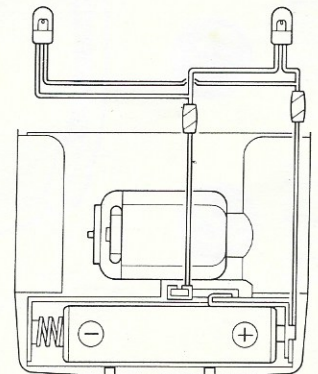
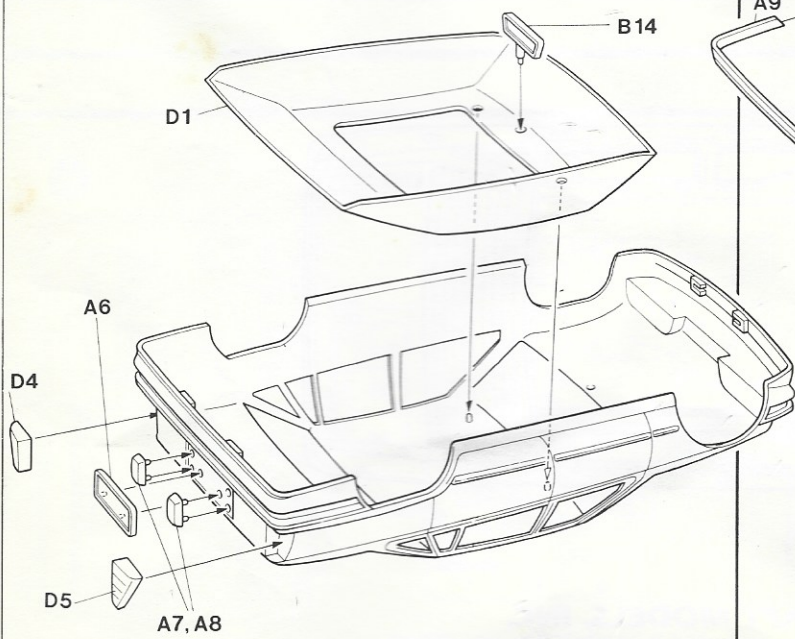
6 INTERIOR ASSEMBLY



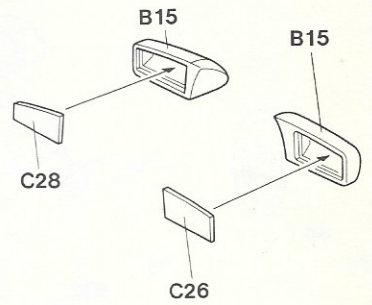
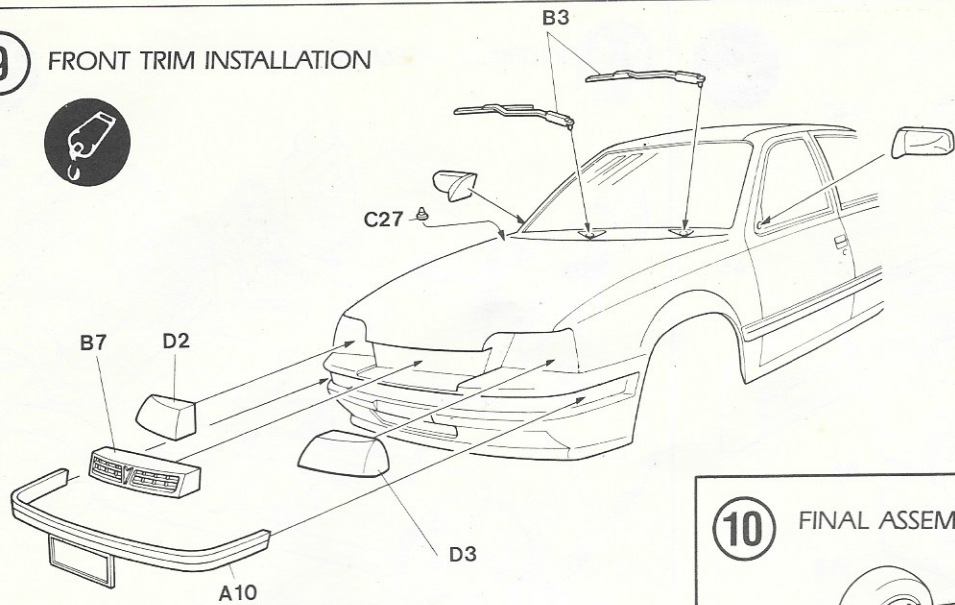
8 DOOR PANEL INSTALLATION



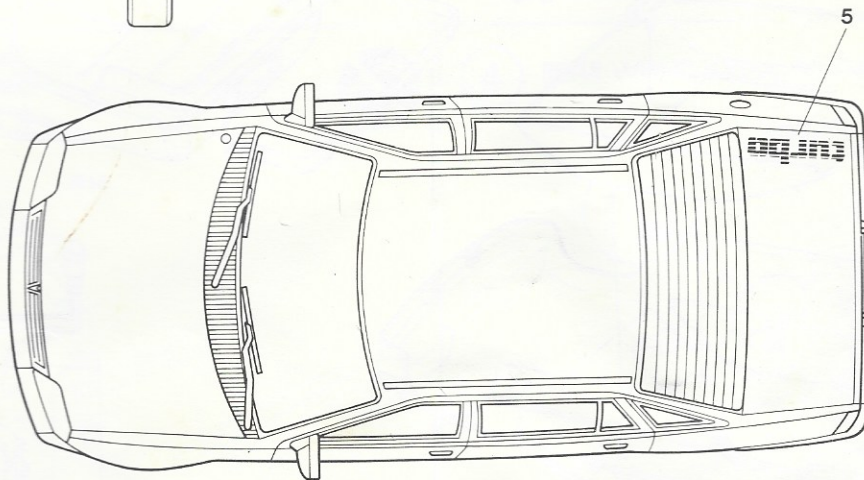
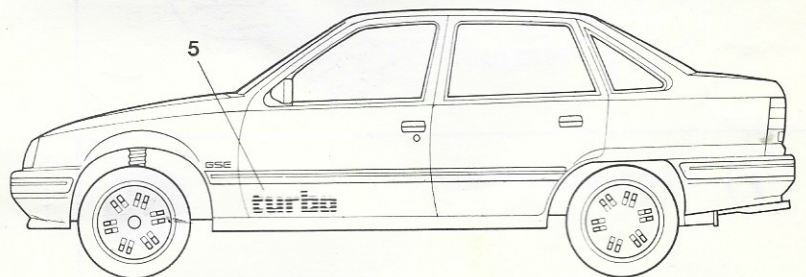
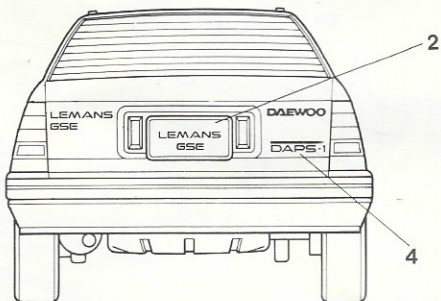
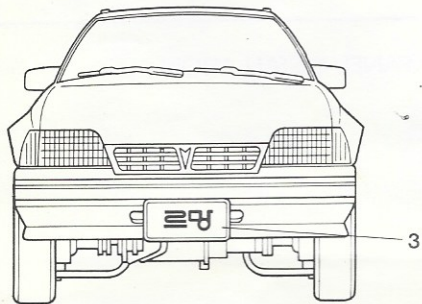
7 WINDSHIELD INSTALLATION



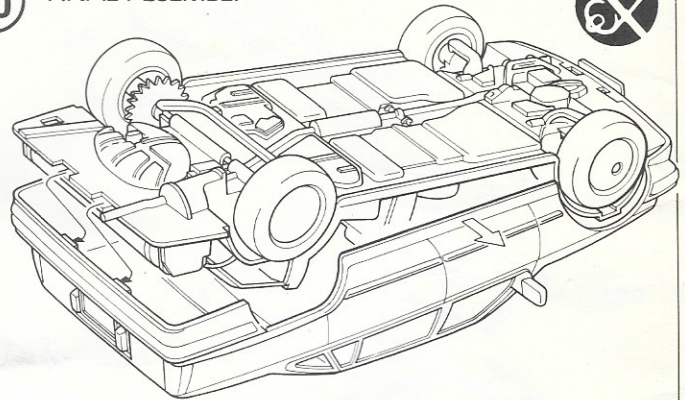
9 FRONT TRIM INSTALLATION



DECAL AND PAINTING GUIDE



10 FINAL ASSEMBLY



MINICRAFT MODELS, INC.
P.O. BOX 3577 • TORRANCE, CA 90510