

# SPACE: 1999



# NUCLEAR WASTE DISPOSAL AREA

## DIORAMA SET

### PLASTIC MODEL KIT

**mpc**

#### GENERAL ASSEMBLY:

This highly detailed kit features precision-tooled parts for ease of assembly, but care and patience must be exercised to achieve optimal results. It is recommended that the builder examine the instructions carefully and do a dry test fit of parts before applying liquid cement. You will find this very helpful, as it will allow you to gain a clear understanding of how the parts fit together in order to best plan painting and final assembly.

**SUB-ASSEMBLIES:** Note that this kit should be built in sub-assemblies. This makes building the kit far more manageable. It is very important to note that it is extremely advantageous to apply paint and decals to sub-assemblies before completing final assembly.

**PAINT:** Review photos shown on box tray for guidance.

**NOTE SPECIFIC DECAL PLACEMENT INSTRUCTIONS ON BOX TRAY WHICH ARE IMPORTANT TO CONSIDER DURING ASSEMBLY!**

#### DECAL APPLICATION:

1. Cut the desired decal from the sheet.
2. Dry fit the trimmed decal to become familiar with its correct placement.
3. Dip the decal in water for 20-30 seconds. For best results, mix one drop of common dish washing detergent per cup of lukewarm water.
4. Place the wet decal on paper towel and wait 30-60 seconds until the decal is movable on paper backing.
5. Wet the area of the model the decals will be applied to.
6. Hold the decal face up, in position on model and slide backing away from under it.
7. Once positioned correctly, absorb excess water with a paper towel.

Starting in the center of the decal, blot out air bubbles toward the edges with a soft damp cloth.

8. Troublesome air bubbles can be rubbed to the edge of the decal with a clean, soft paintbrush or simply puncture the decal with a sharp #11 blade. Air bubbles must be removed before the decal dries.

9. Let decals dry completely before handling or applying more decals next to or on top of previous work. It is best not to use heat to accelerate drying times as this may crack the decals, affect their adhesive or melt plastic parts!

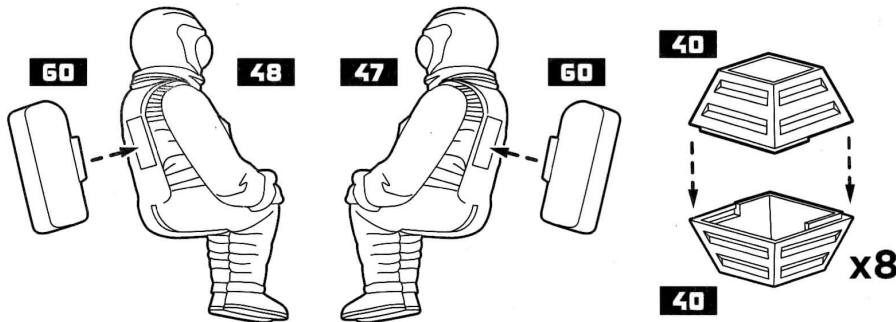
10. After all decals are applied, a spray of dull coat is suggested to bury and protect the decals as well as hide surface imperfections and supply a lifelike final appearance to the model.

Space 1999 © ITC Entertainment Group Limited. 1975 and 2017. Licensed by ITV Ventures Limited. All rights reserved. MPC is a registered trademark of Round 2, LLC. ©2017 Round 2, LLC, South Bend, IN 46628 USA. Product and packaging designed in the USA. Made in China. All rights reserved.

**ROUND 2**  
Round 2, LLC  
4073 Meghan Beeler Ct.  
South Bend, IN 46628

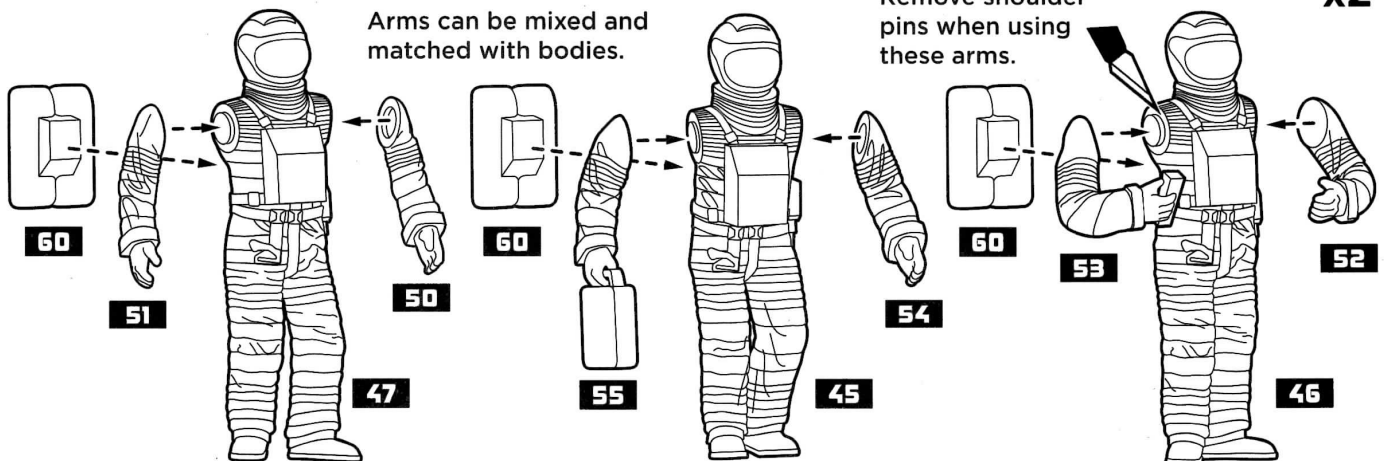
**CE** International Hobbycraft (UK) Ltd.  
21 St. Thomas St.  
Bristol BS1 6JS England

## ALPHAN EXCURSION TEAM



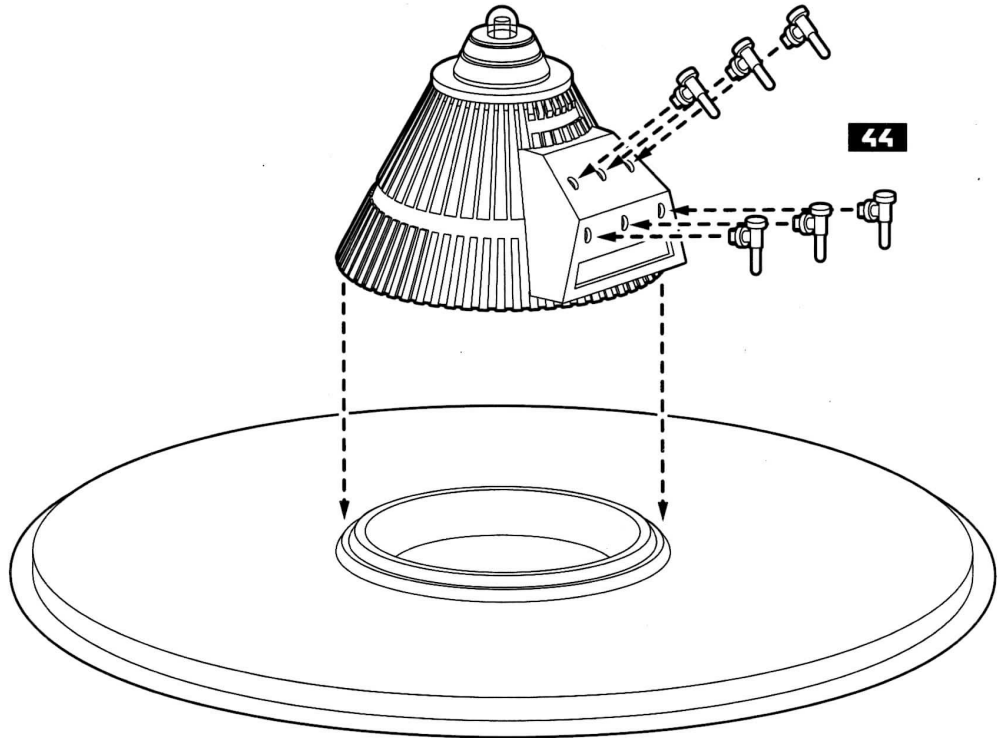
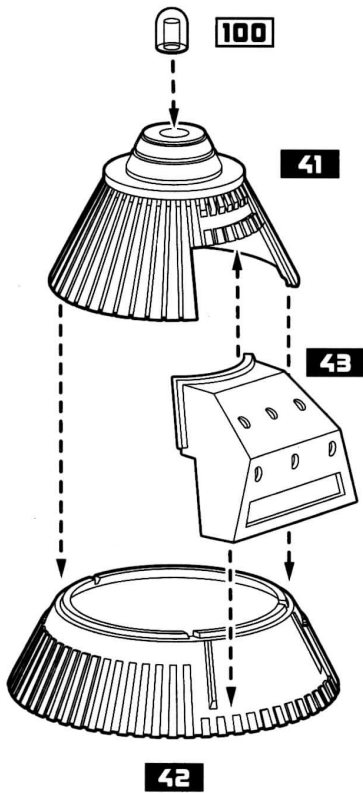
### KEY TO SYMBOLS

- 00 WHITE PART
- 00 YELLOW PART
- 100 CLEAR PART
- DO NOT GLUE
- X2** REPEAT ASSEMBLY



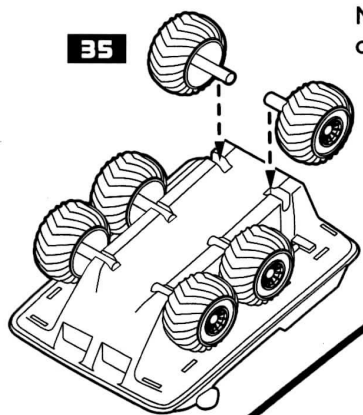
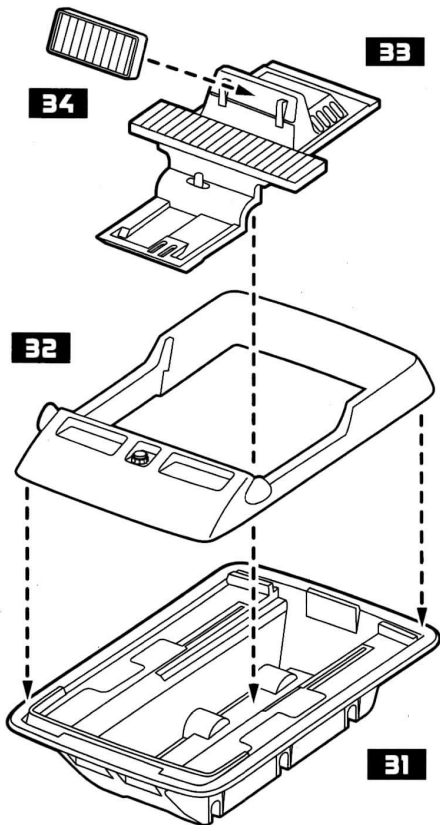
# NUCLEAR WASTE SILO CAPS

x2

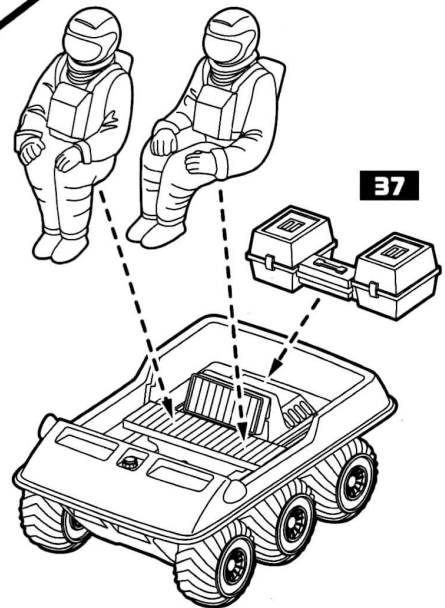


# MOONBUGGY

x2



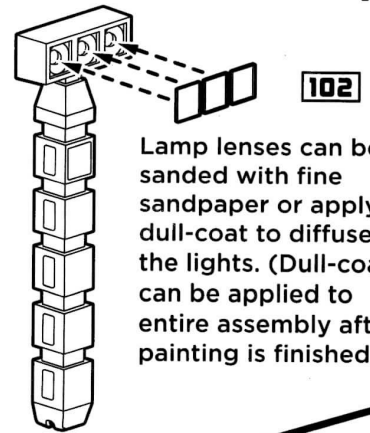
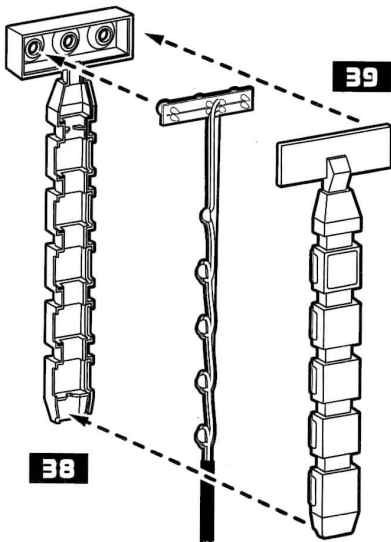
Note proper direction of tire tread.



Glue optional.  
If desired, figures' feet can be cut off to seat them in a way that more closely resembles their position in the television program.

# LASER BARRIER LIGHT POSTS

x8

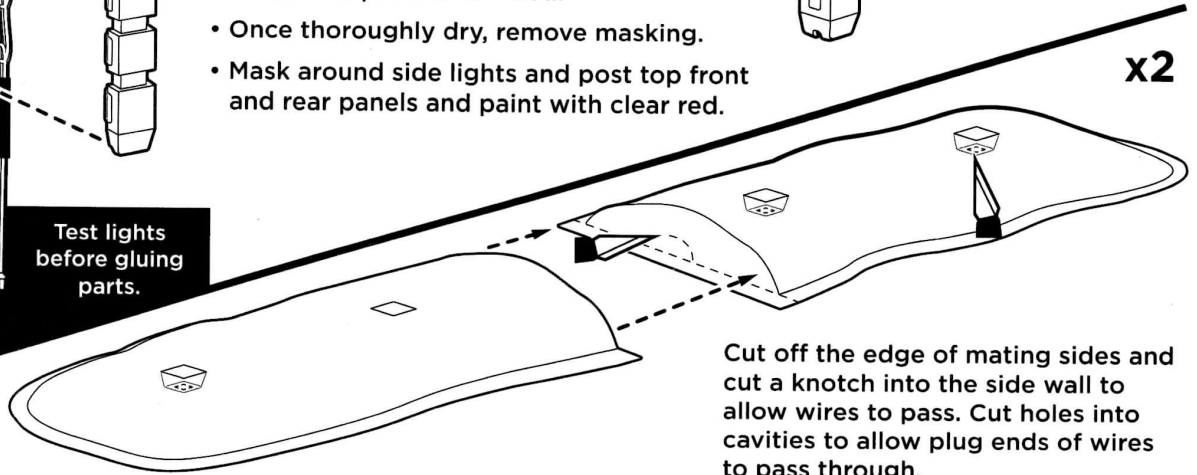


Lamp lenses can be sanded with fine sandpaper or apply dull-coat to diffuse the lights. (Dull-coat can be applied to entire assembly after painting is finished.)

- Allow capillary action to ensure liquid modeling cement seals the entire joint and clamp together until dry.
- Clean up all seams with appropriate file or sandpaper.
- Install light lenses.
- Mask off light lenses, side lights and post top front and rear panels.
- Spray with gray primer.
- Test lights to find light leaks and apply additional paint as needed.
- Once thoroughly dry, remove masking.
- Mask around side lights and post top front and rear panels and paint with clear red.

Handle light strands with care. A short may occur if clear insulation is damaged.

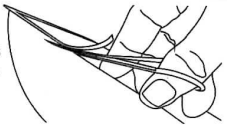
Test lights before gluing parts.



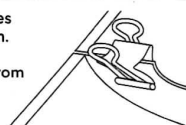
x2

Cut off the edge of mating sides and cut a notch into the side wall to allow wires to pass. Cut holes into cavities to allow plug ends of wires to pass through.

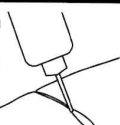
For best results, cut off the edges with scissors.



Sand mating edges for good adhesion. Then clamp the pieces together from the bottom.



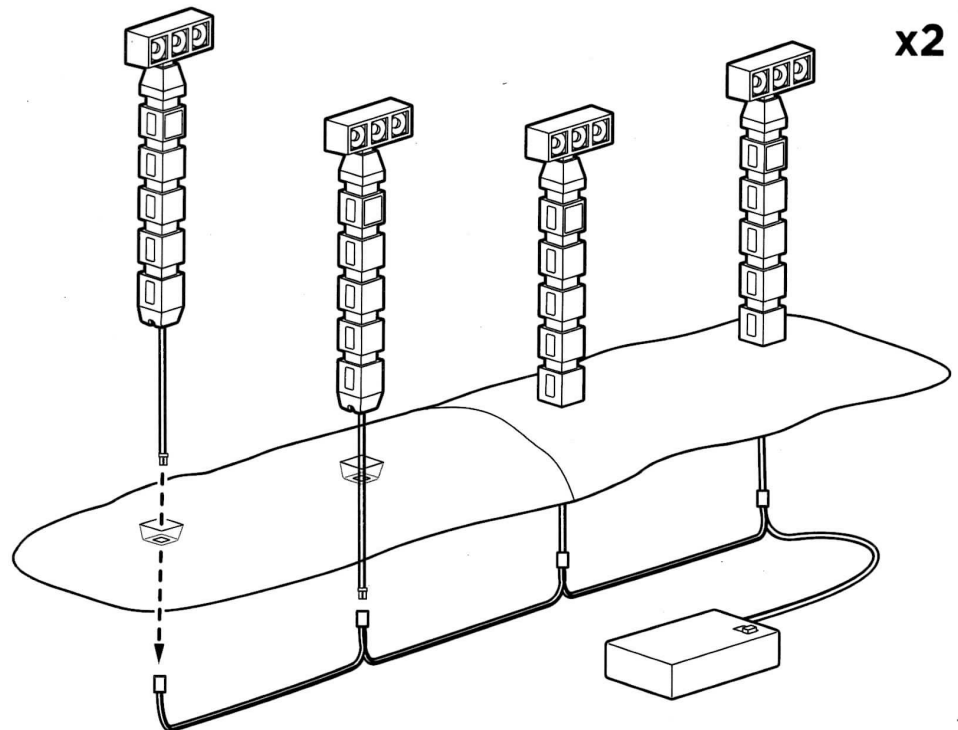
Apply a bead of gap-filling glue into the seam. NOTE: CA (Cyanoacrylate) glue is required to adhere to the PVC plastic used to create the base parts.



While glue is still wet, pour on a dry powder to disguise the seam. This technique will fill the seam easily without the need for puttying.

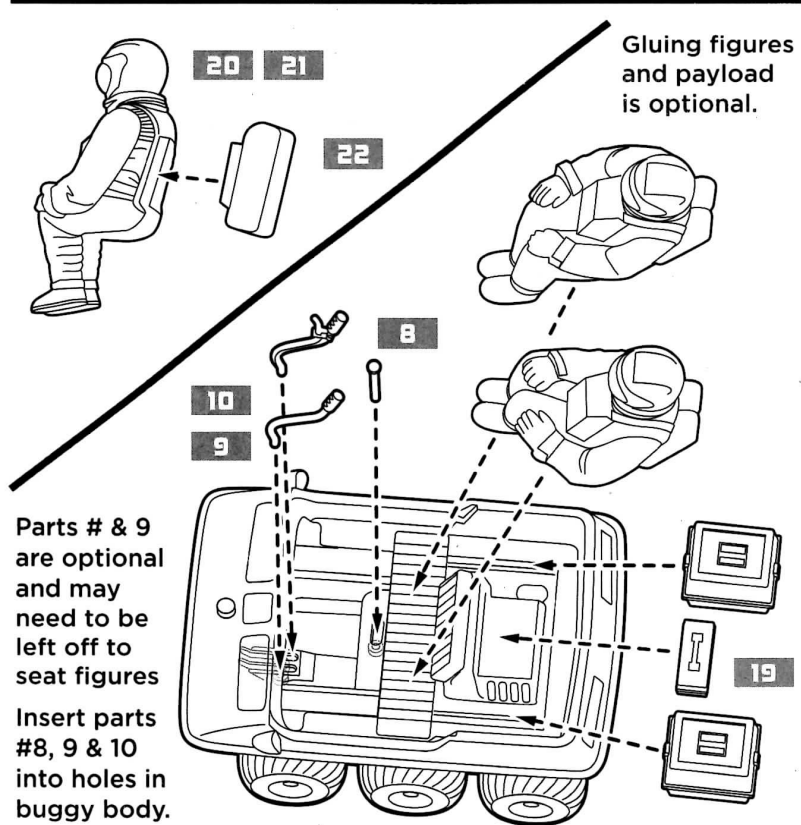
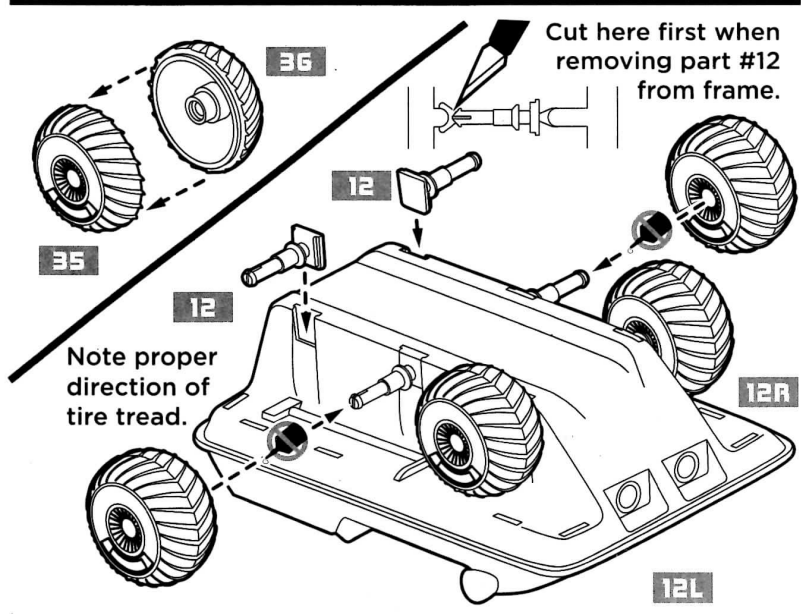
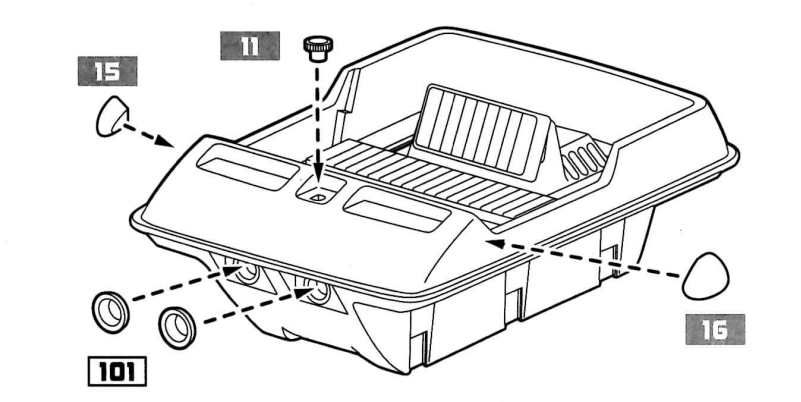
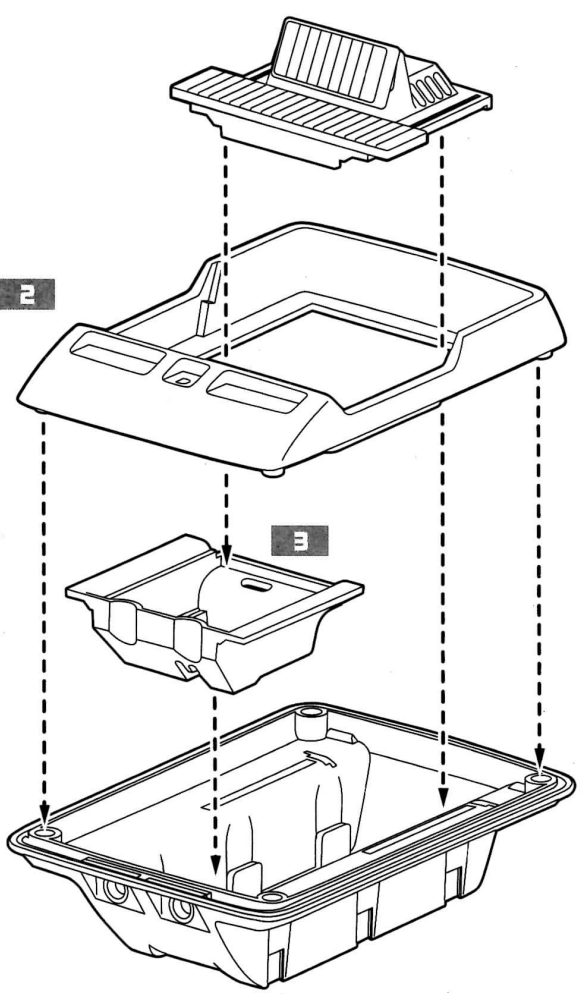
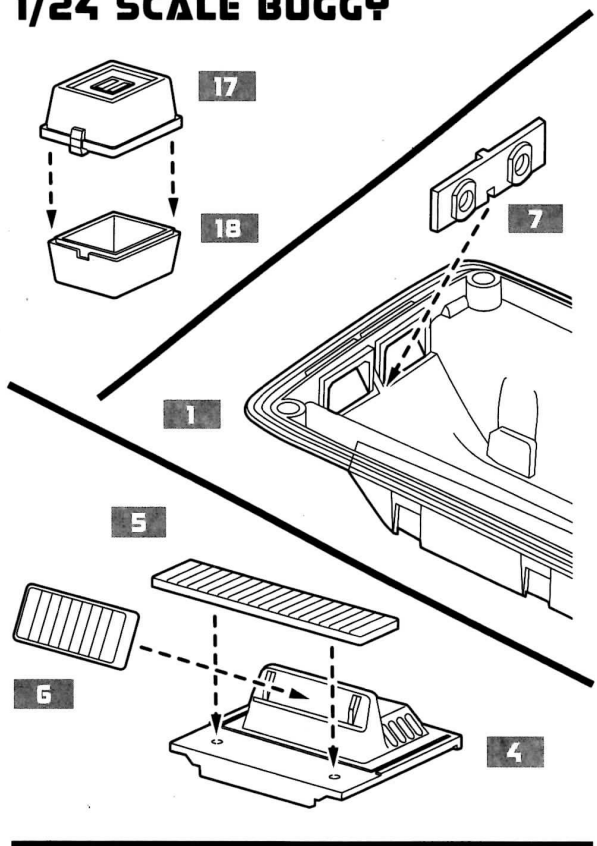


- Thread plug ends of lamp stand wires through the holes in the base activities.
- Glue lamp stands to base. Five-minute epoxy is suggested for best results.
- Once lamp stands are glued in place use the technique shown above to fill around bottom of lamp stand.
- Plug wire ends into receptacles on battery pack.
- Install two AA batteries (not included) in battery pack.
- Turn lights on then hide battery pack under base.



x2

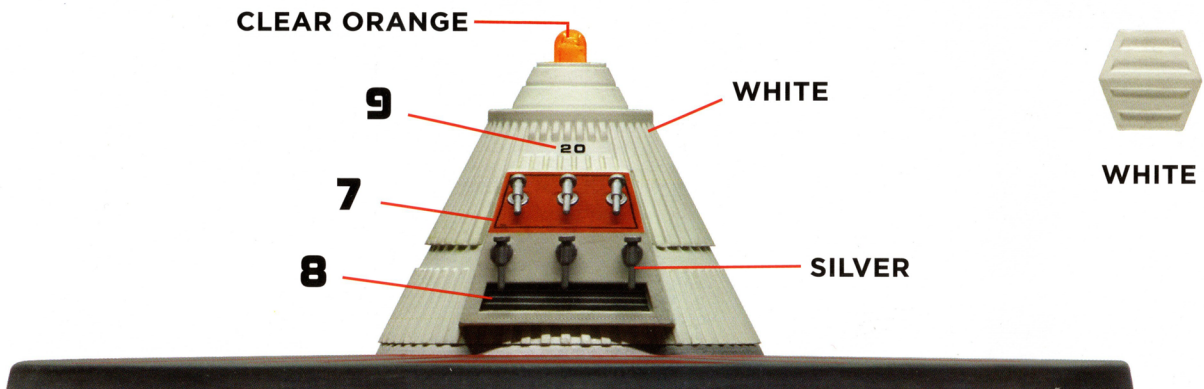
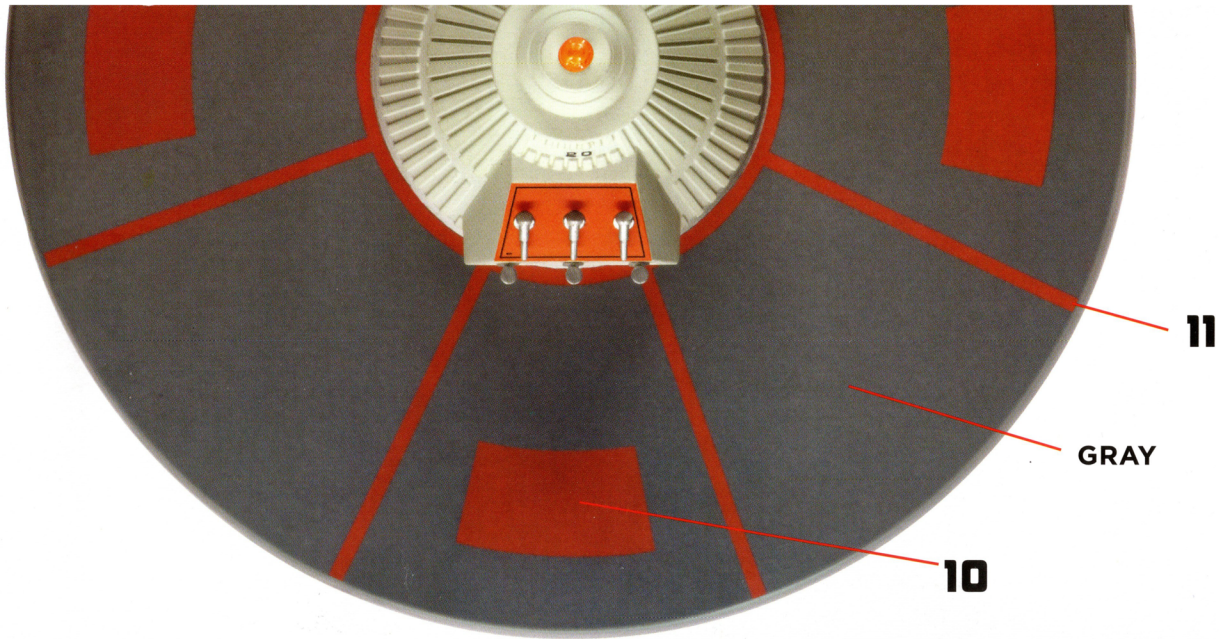
# 1/24 SCALE BUGGY





# PAINING AND MARKINGS GUIDE

## Silo Top and Cap



# PAINTING AND MARKINGS GUIDE

## 1:24 Scale Figures and Moon Buggy

CUT DECAL AS INDICATED BY DOTTED LINES

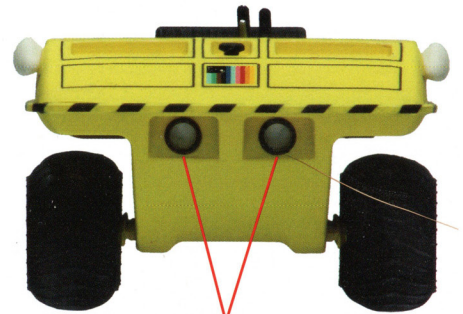


36 & 37

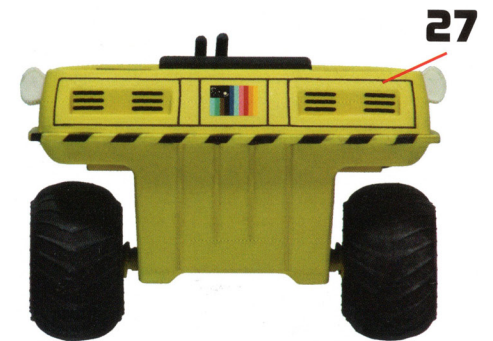


APPLY SEPARATELY

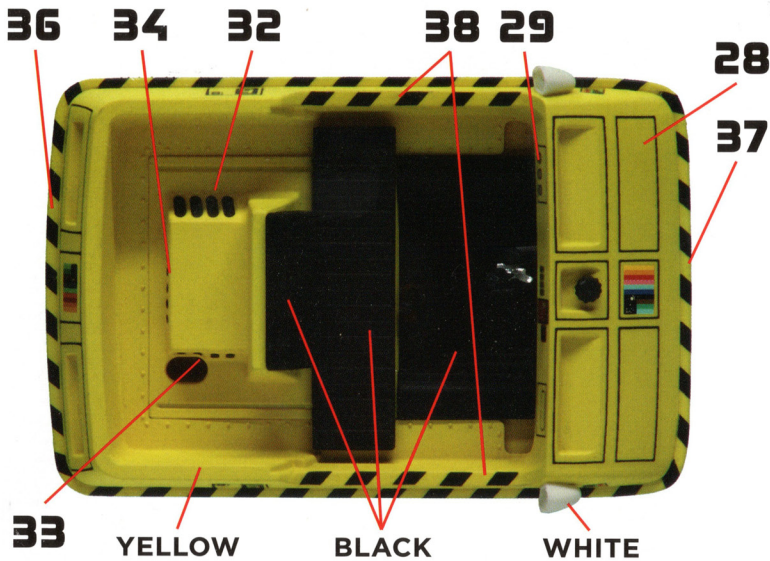
27



BLACK



27



36 34 32 38 29 28 37 33 YELLOW BLACK WHITE

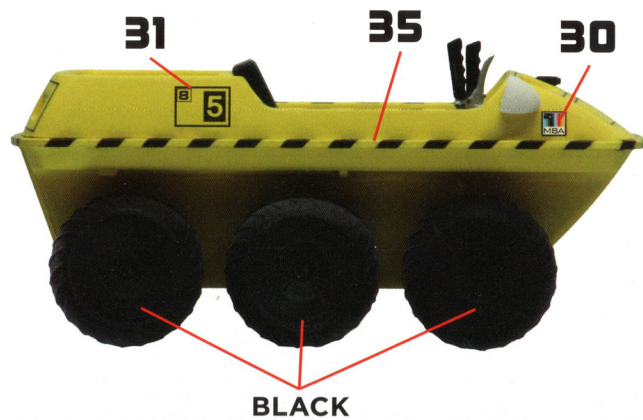
RED, YELLOW OR BLACK



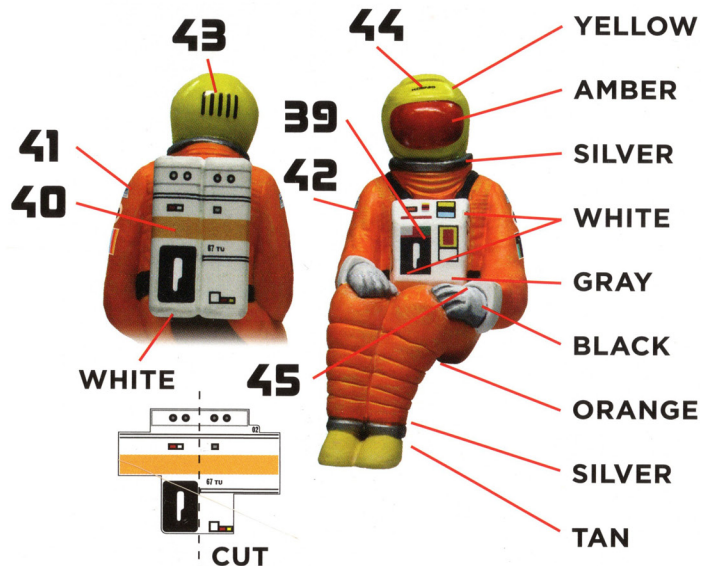
WHITE



46 (Optional)



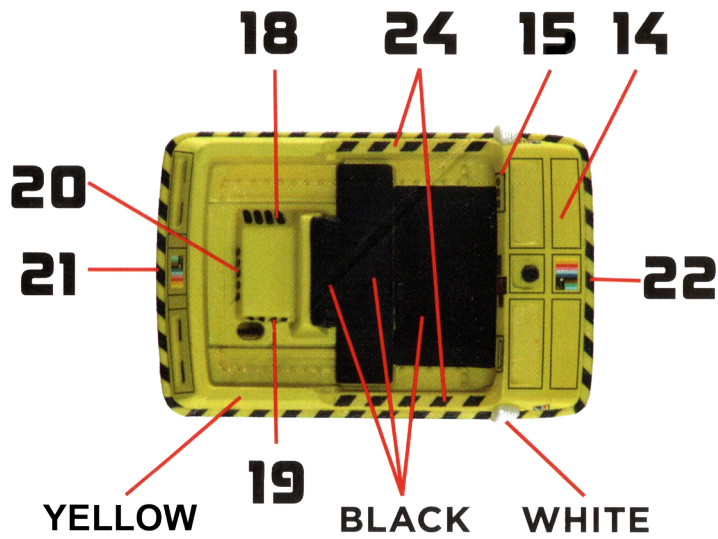
31 35 30 BLACK



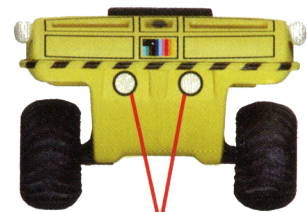
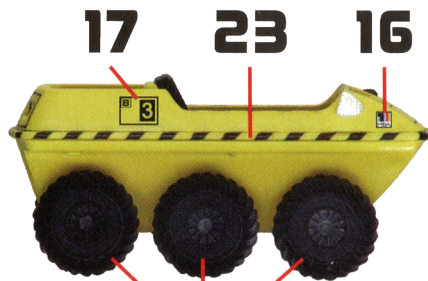
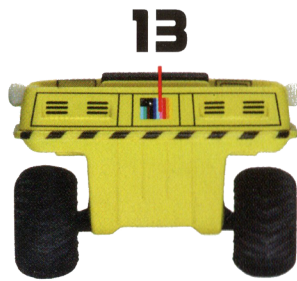
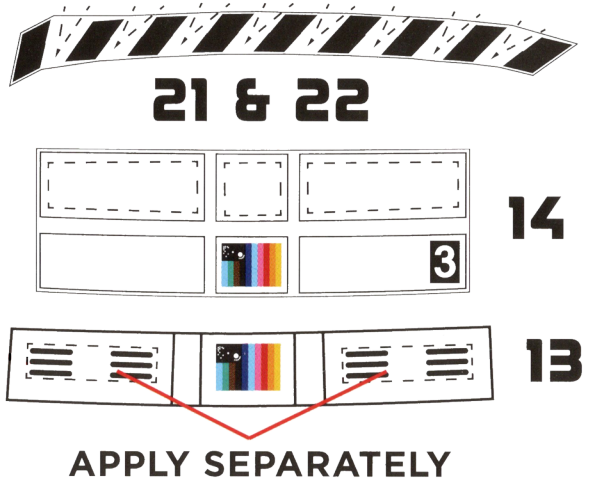
43 44 39 42 41 40 45 46 WHITE CUT YELLOW AMBER SILVER WHITE GRAY BLACK ORANGE SILVER TAN

# PAINTING AND MARKINGS GUIDE

## 1:48 Scale Figures and Moon Buggy



CUT DECAL AS INDICATED  
BY DOTTED LINES



BLACK

