

## Ukrainian T-84BM Oplot MBT

### 乌克兰T-84BM“堡垒”主战坦克

#### READ BEFORE ASSEMBLY:

- Study and understand these instructions thoroughly before beginning assembly
- When needed, remove photo-etch parts carefully using a modeling knife or photo etch sprue cutter, being careful not to damage or lose small parts.
- Take extra care in handling photo etch parts in order to avoid injury
- Apply instant cement sparingly to photo etch parts where instructed
- Tools recommended(not included in kit):Plastic and instant cements, sprue cutters,long nose pliers,modeling knife, small files, tweezers, pin vise & scissors. Soft cloth and sandpaper will also assist in construction
- Glue and paint are not included in the kit. Use plastic cement and hobby paints only. Color guide for purchasing paint is included in the kit.

#### 装配之前仔细阅读

- 小心用模型锉刀锉平所有零件表面的注射浇口。
- 小心用刀片切下蚀刻片零件，不要遗失小零件。
- 用强力快干胶水粘合蚀刻片零件和金属轴。过量快干胶水使用可能导致可动零件会粘住，小心涂胶。
- 取蚀刻片时应特别注意安全，防止利边划伤手指。
- 某些零件表面需贴上水贴纸，请选择在装配的同时进行。
- 推荐模型工具(自备)：胶水，水口剪刀，长咀钳，刀片，锉刀，镊子，钳，钻，剪刀，瞬间快干胶。
- 软布同砂纸同时也应该是必备工具。
- 请使用塑料胶水和油漆，模型内不含。



配重  
Weight



使用强力胶  
Cyanoacrylate glue



钻孔  
Make hole



切除  
Cut / Remove



贴纸  
Decal



锉平  
File / Sand



选择  
Option



不涂胶水  
No cement



弯曲  
Bend



先装  
Install it first

#### 水贴纸的使用:

- 1.从水贴纸上剪下印花;
- 2.将印花放入温水中浸10秒, 然后放在干净布上。
- 3.拿着印花纸将印花移到模型上;
- 4.手指蘸水将印花移到适当的位置;
- 5.用软布轻压印花直至水干, 气泡消失

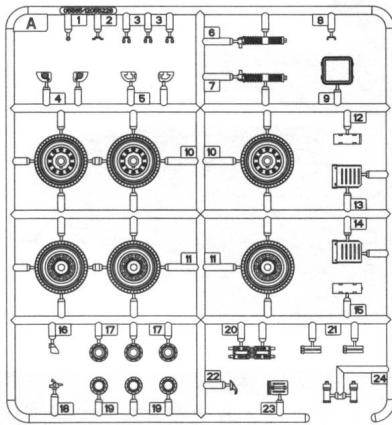
#### DECAL APPLICATION

- 1.Cut decals from sheet as needed
- 2.Dip the decal in warm water for about 10 seconds and then place on soft clean cloth.
- 3.Hold the decal backing sheet edge and gently slide the decal onto the model in its proper position.

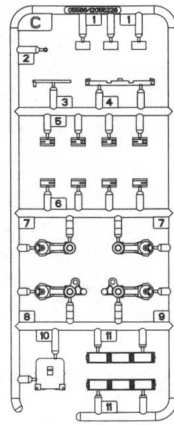
- 4.While still wet,decal can be adjusted for better fit on model by dampening it gently with your finger.
- 5.When placed in the proper position,gently press decal down with a soft cloth until excess water and air bubbles are gone.
- 6.Allow decal to dry completely before handling model

部品图  
Parts

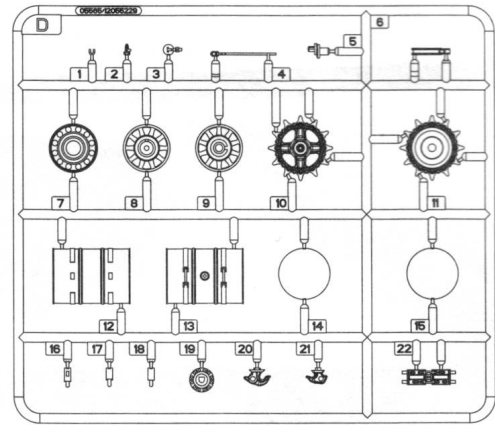
Ax4



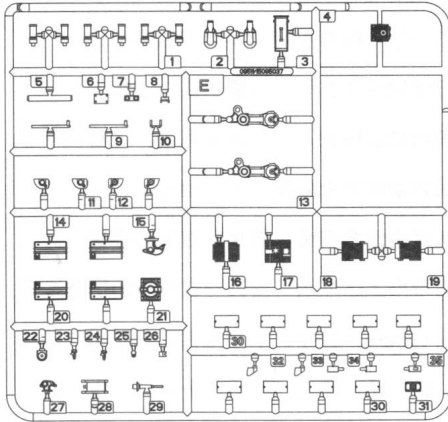
Cx4



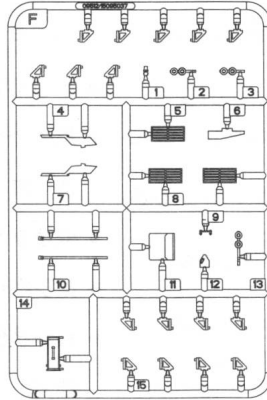
Dx2



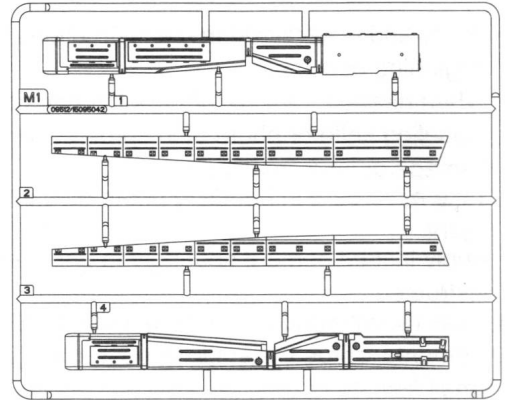
Ex2



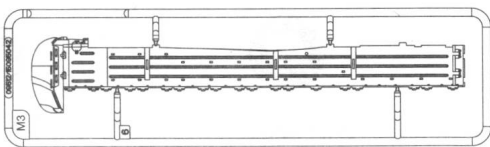
Fx2



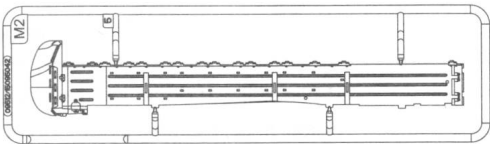
M1



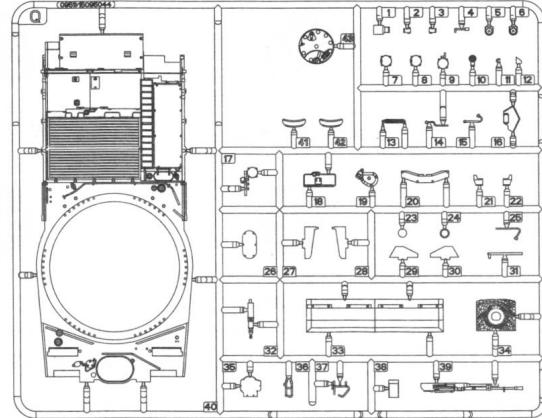
M3



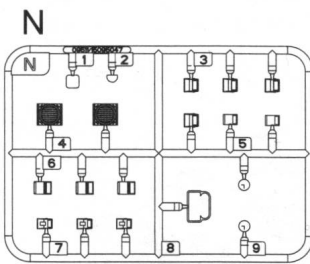
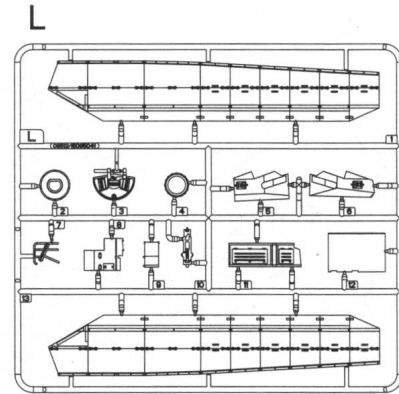
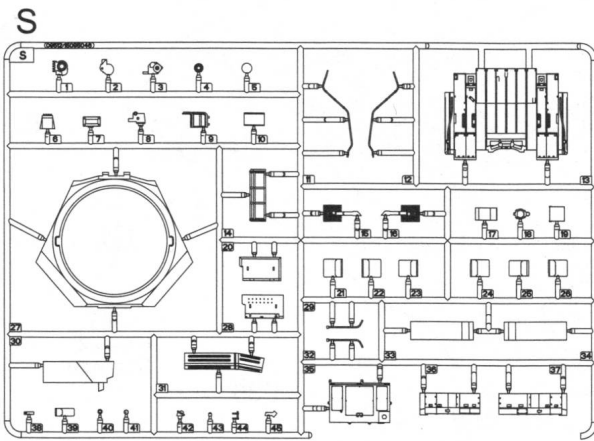
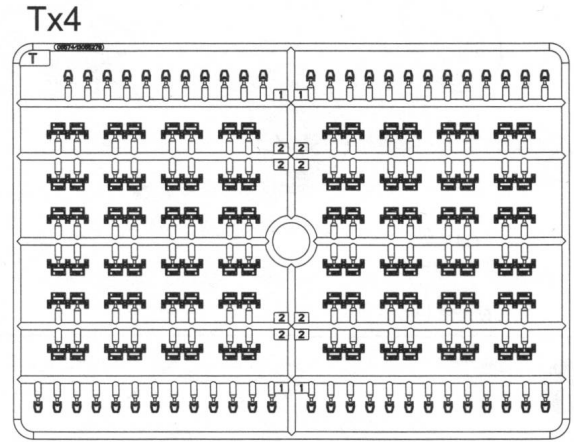
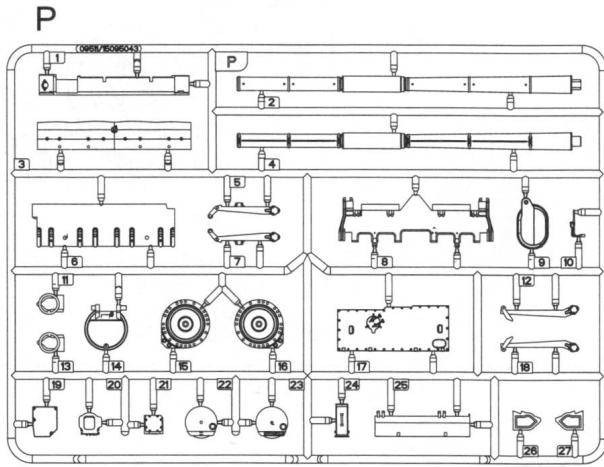
M2



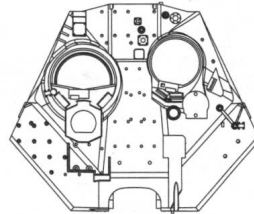
Q



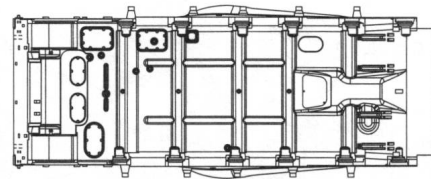
部品图  
Parts



《炮塔》  
Turret



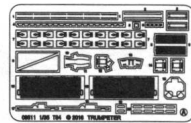
《车底》  
Lower hull



《铜线》  
Brass wire



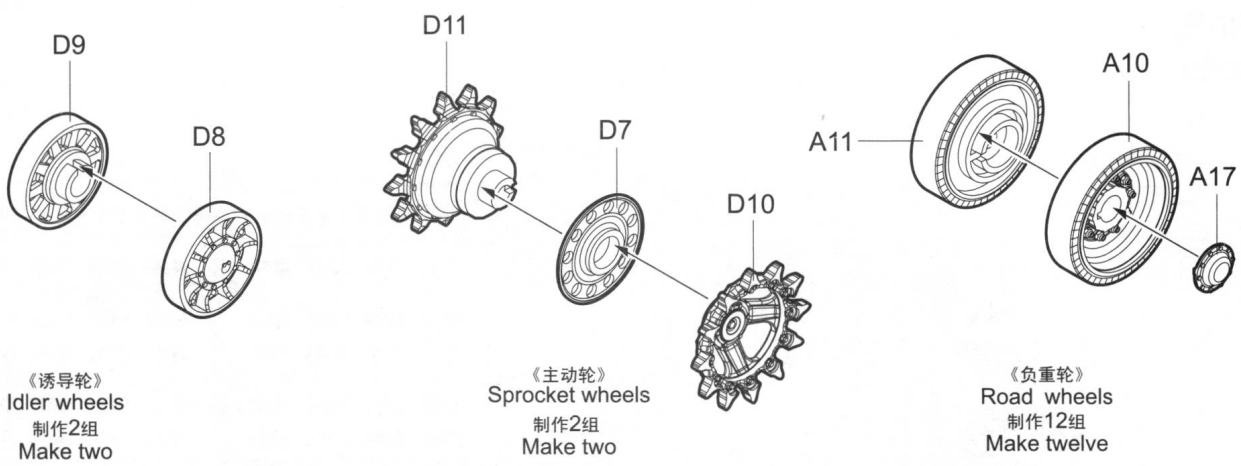
《蚀刻片》  
PE



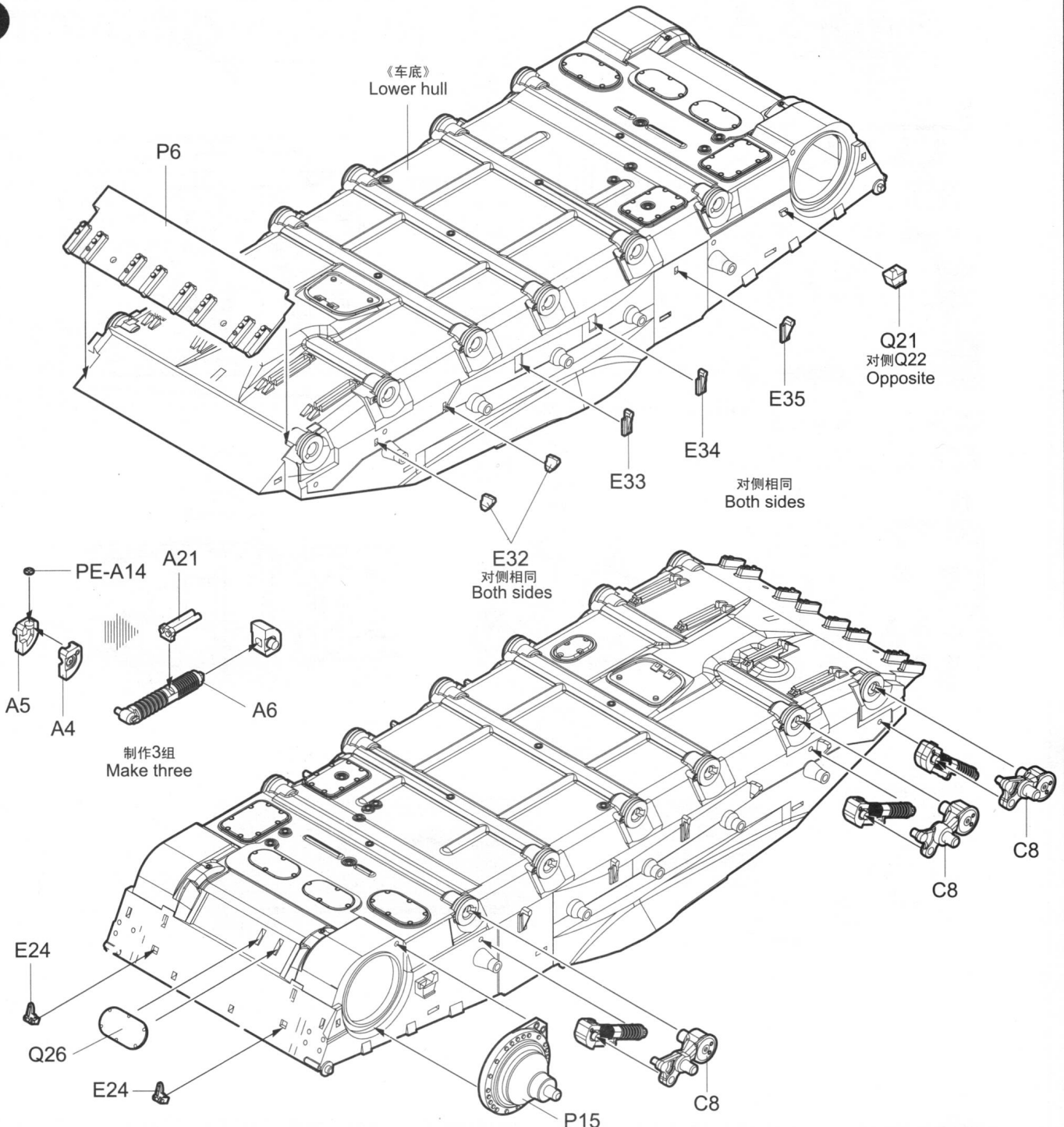
《水贴纸》  
Decal



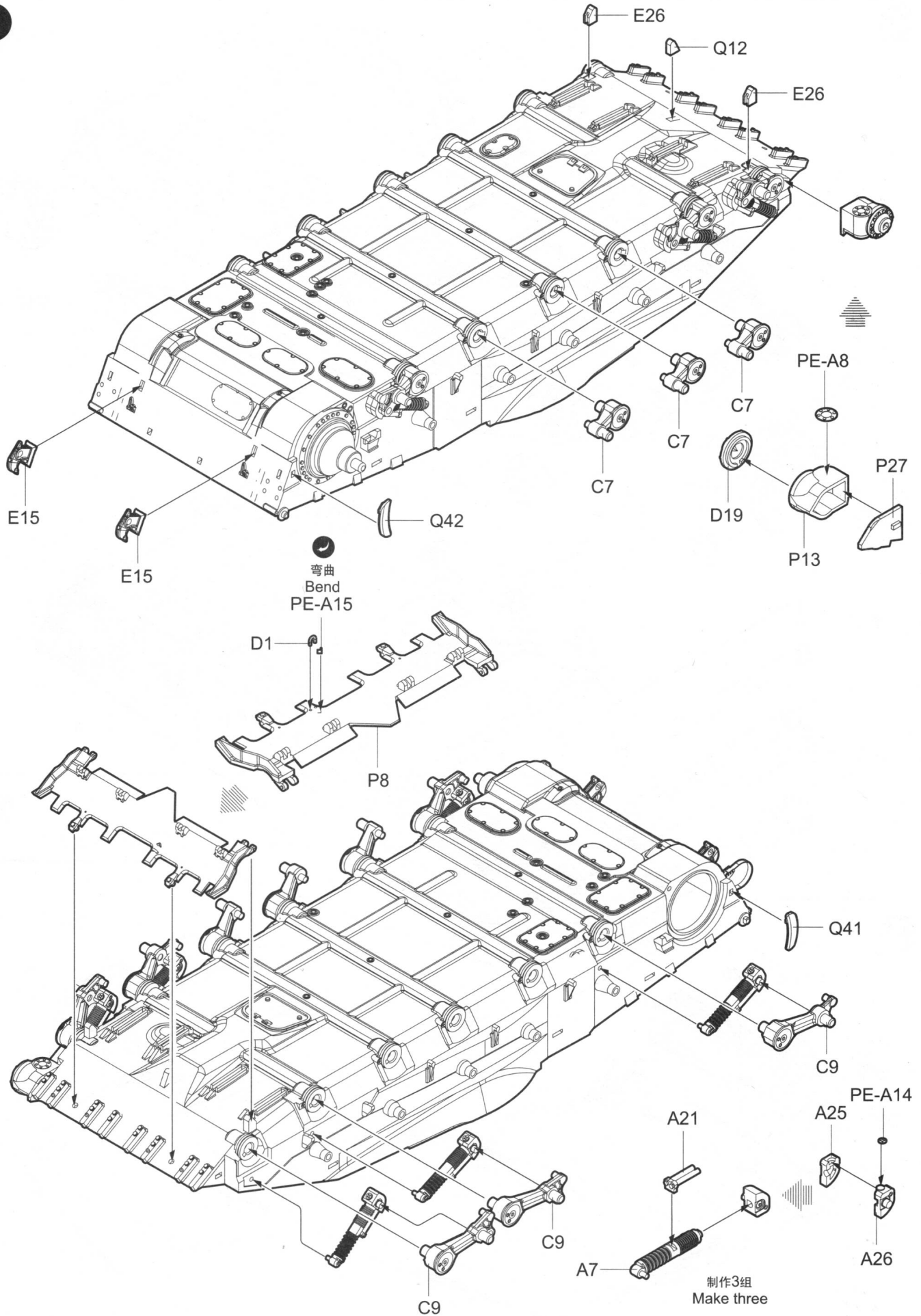
1



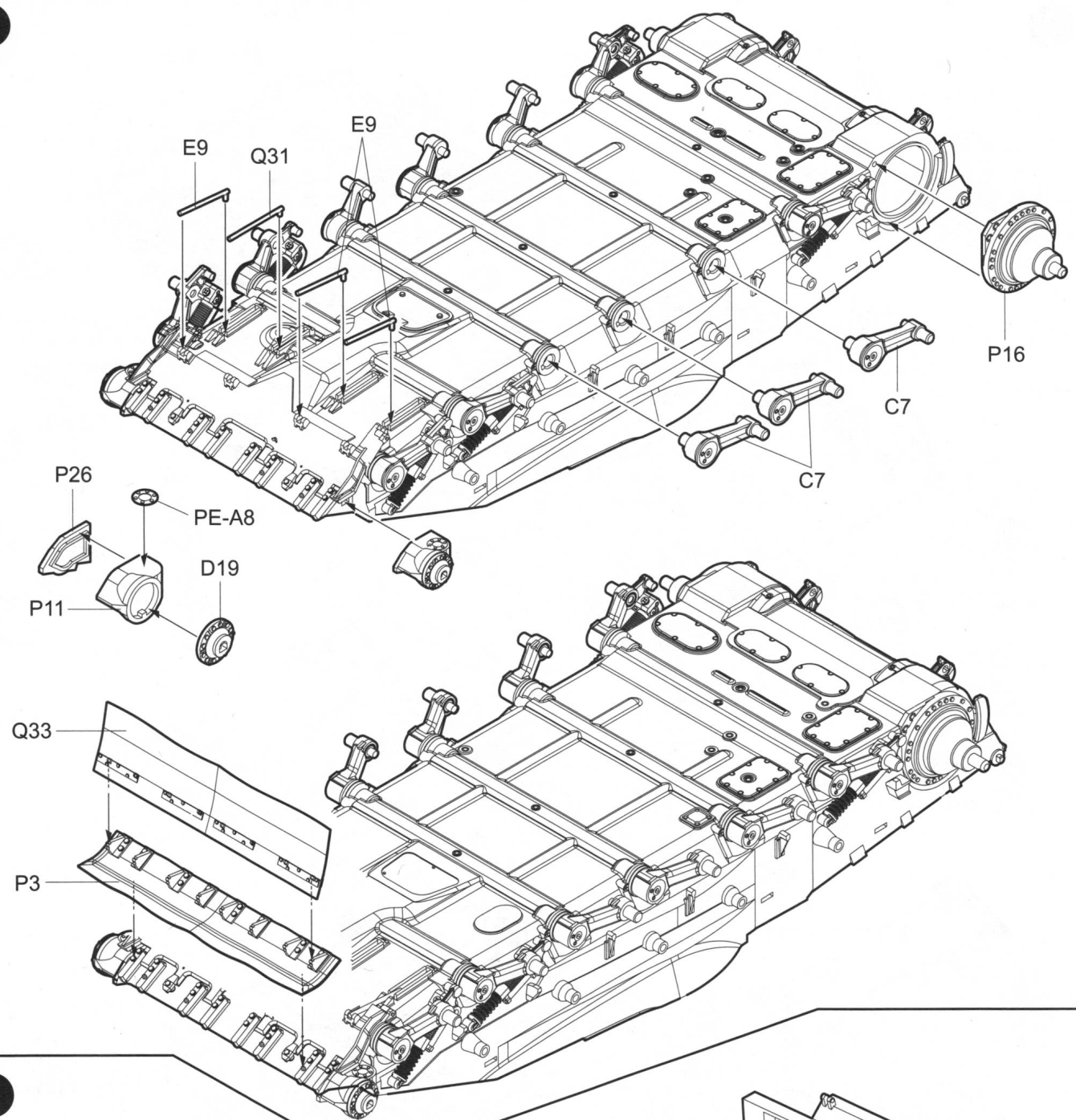
2



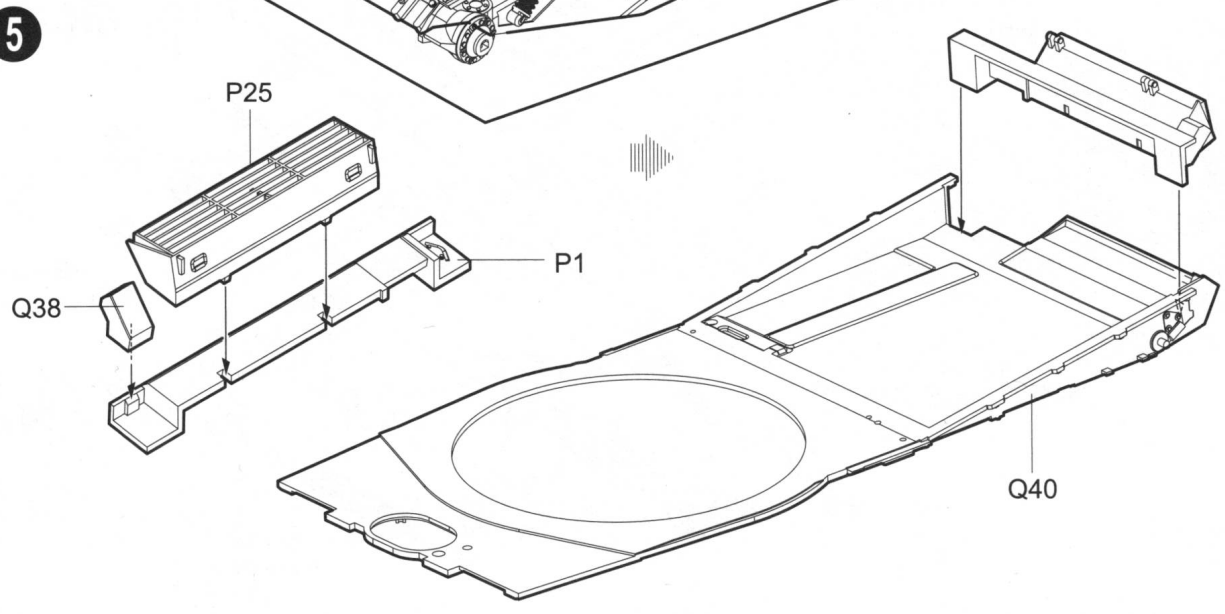
3



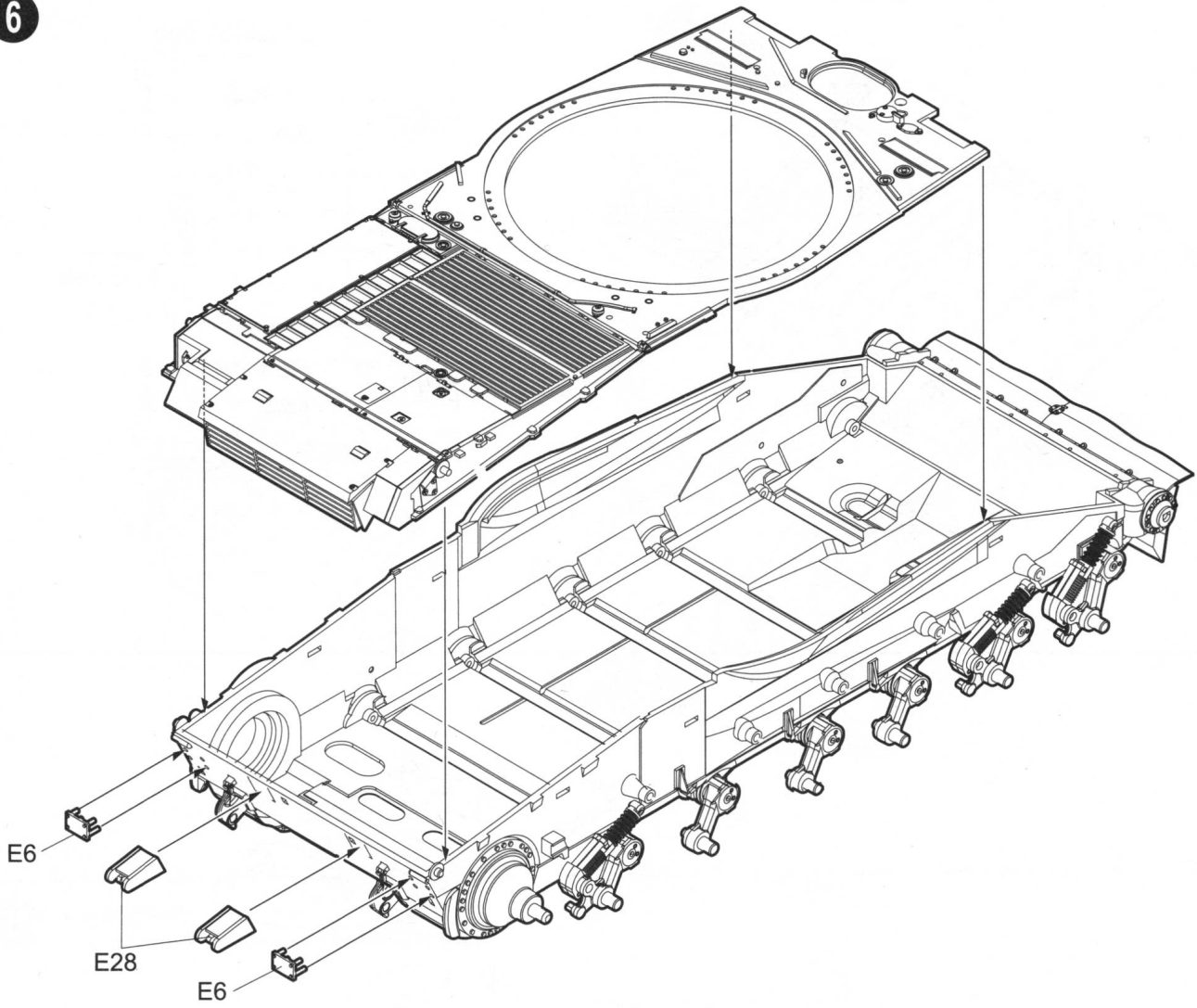
4



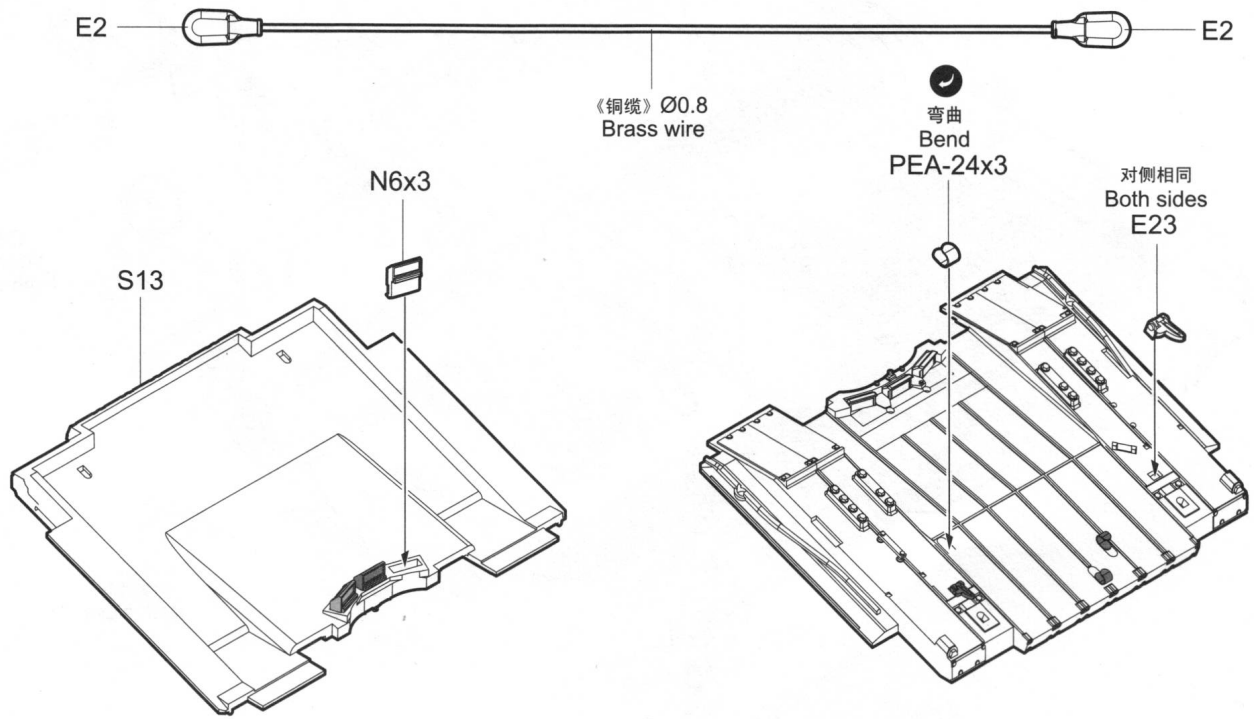
5



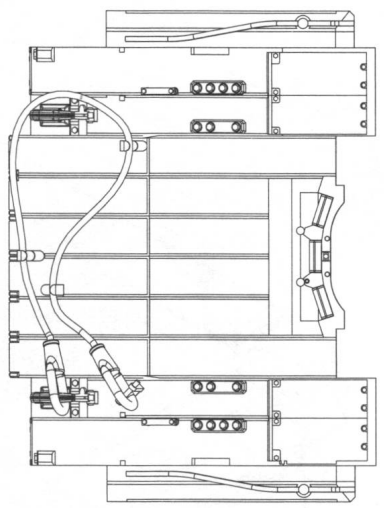
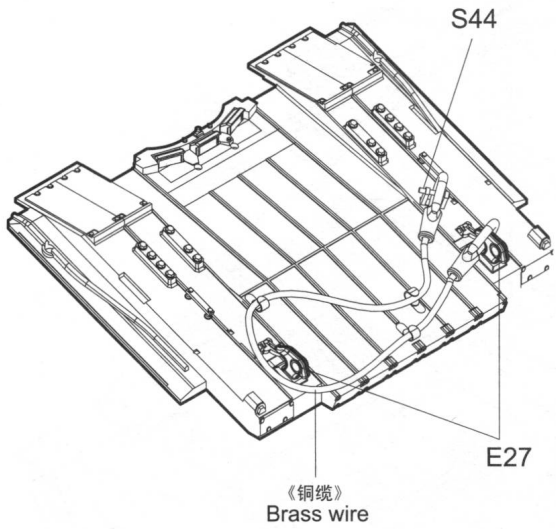
6



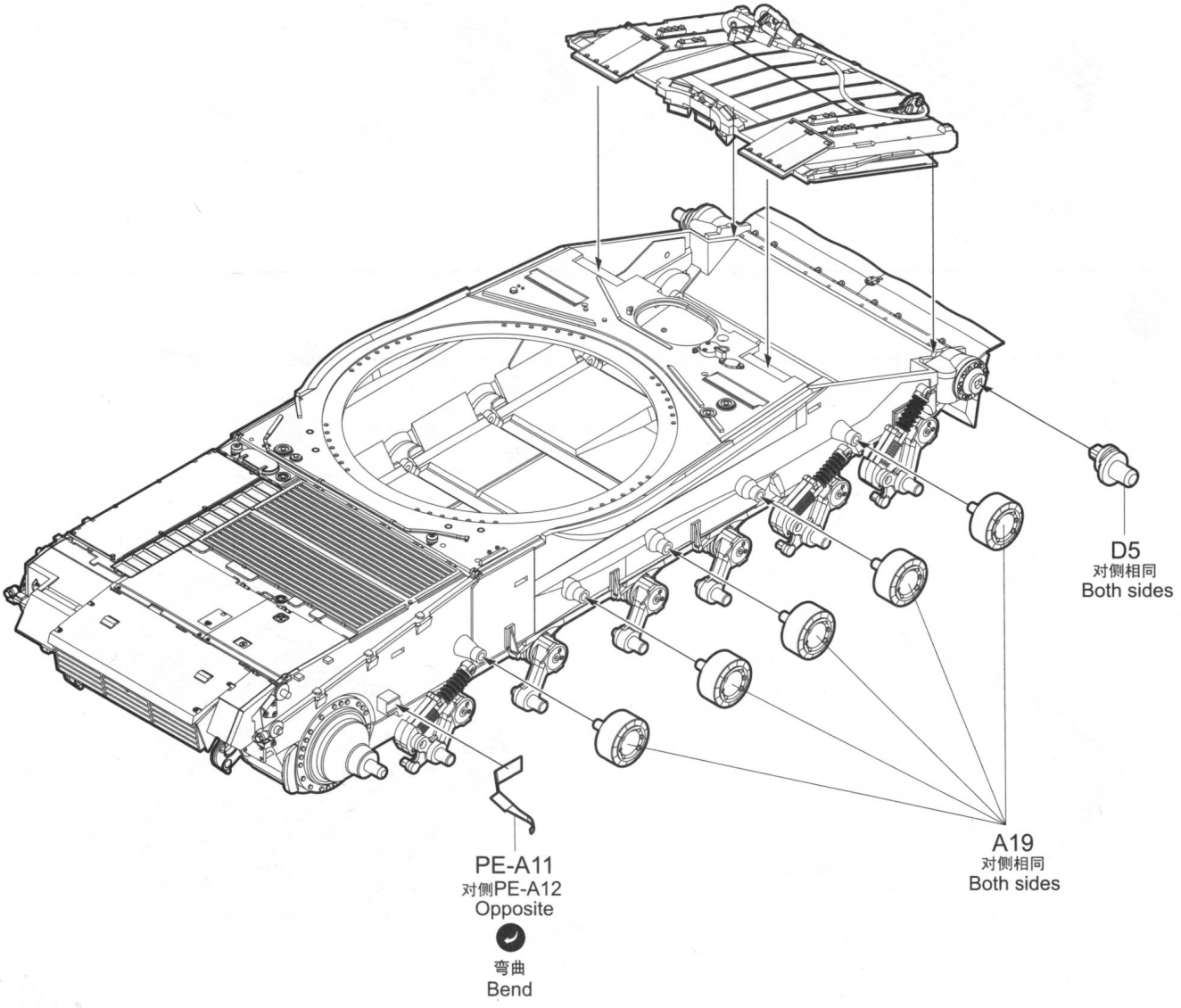
7



8

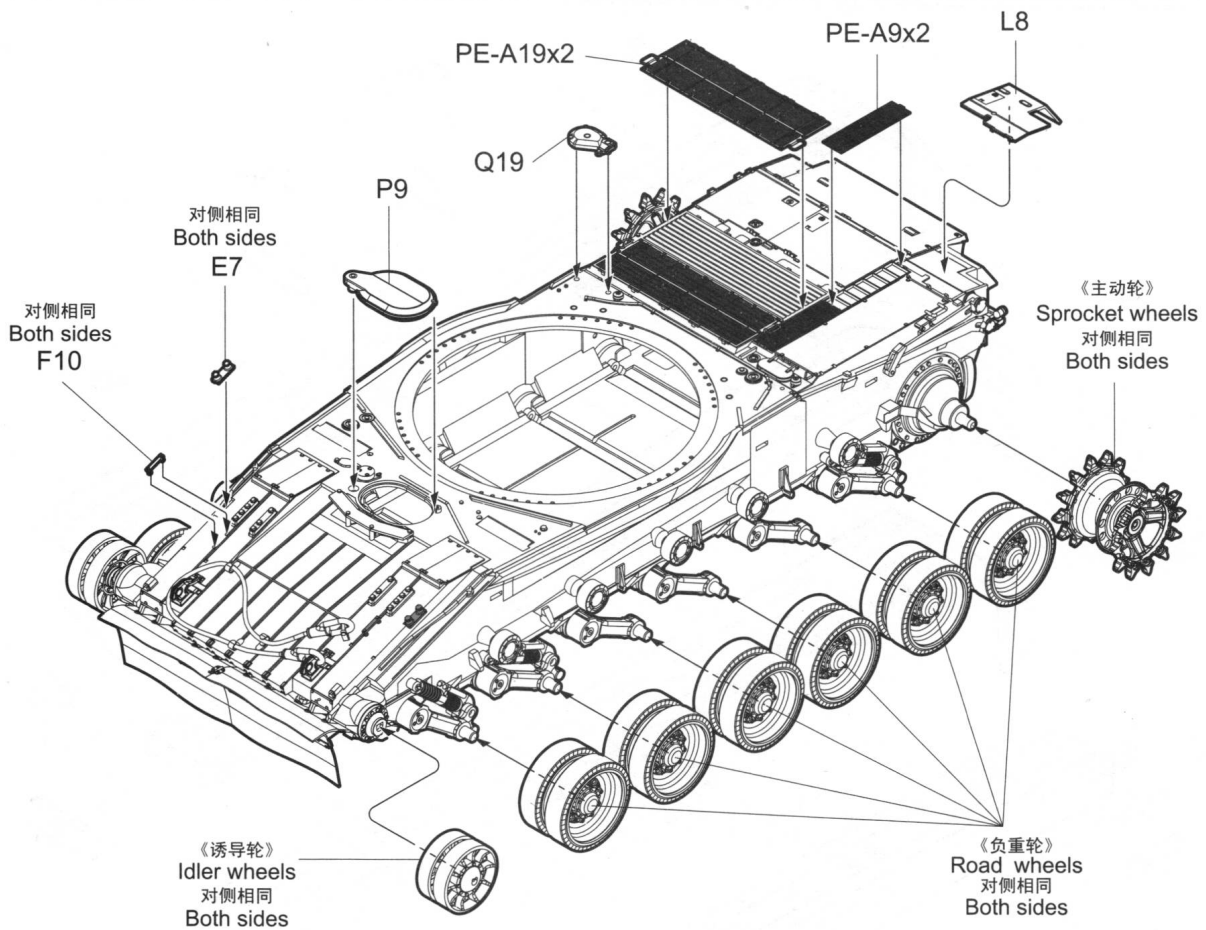


9



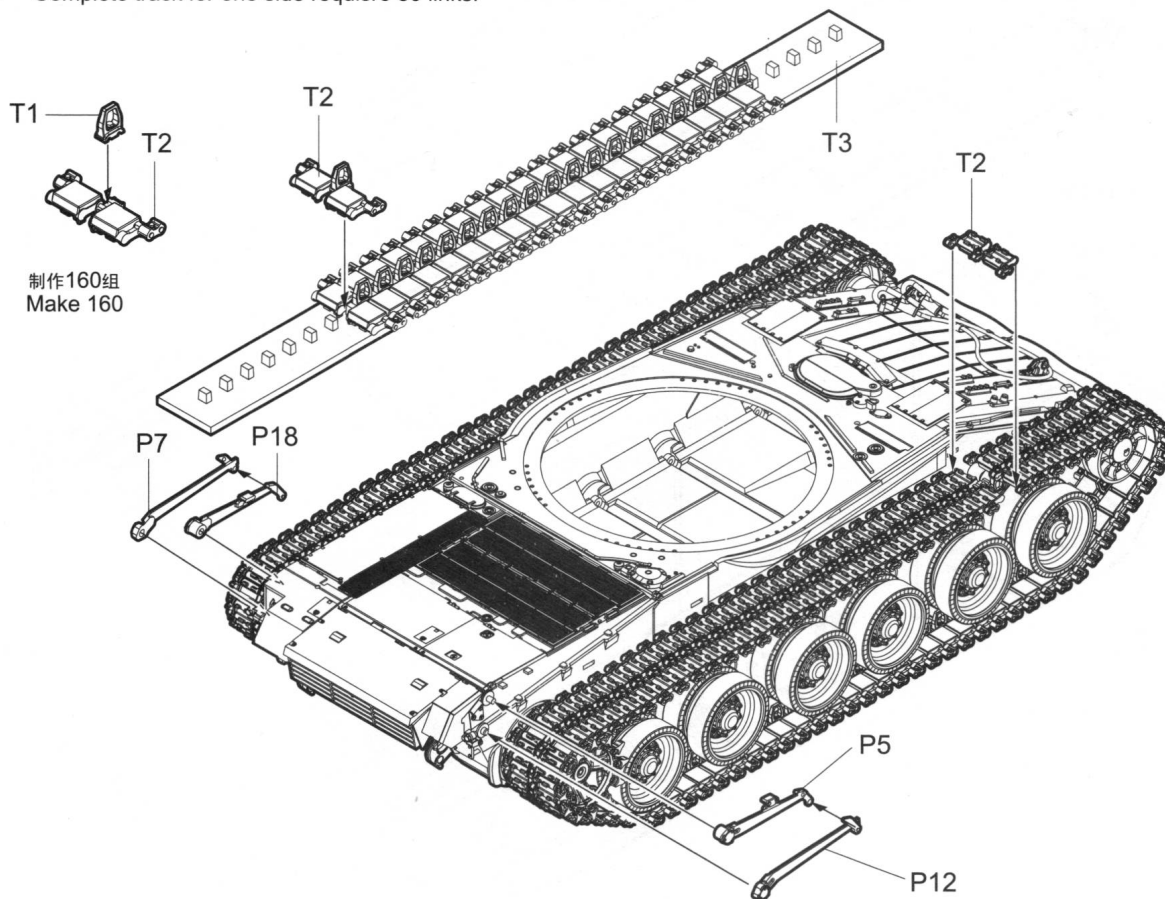


10

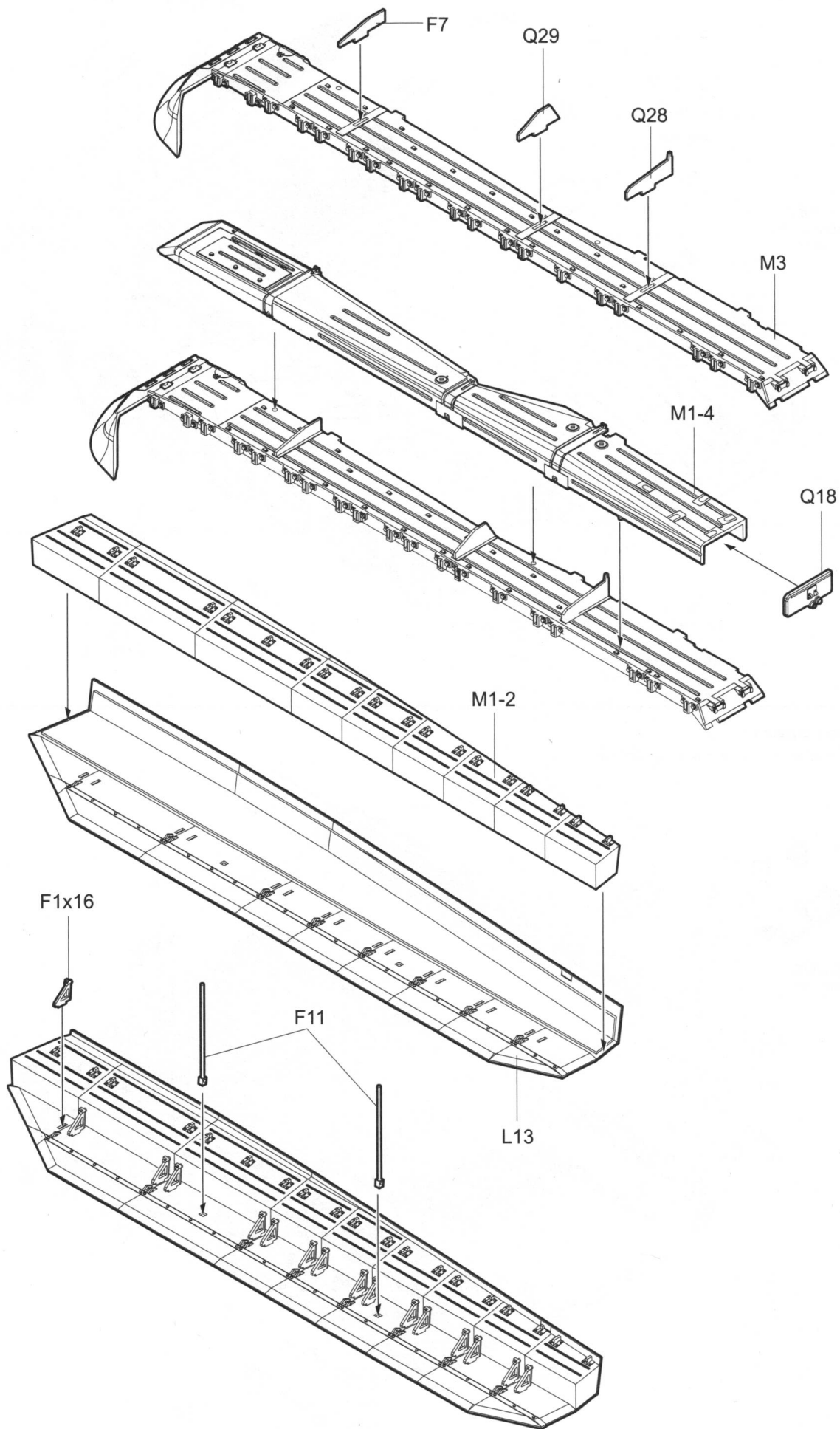


11

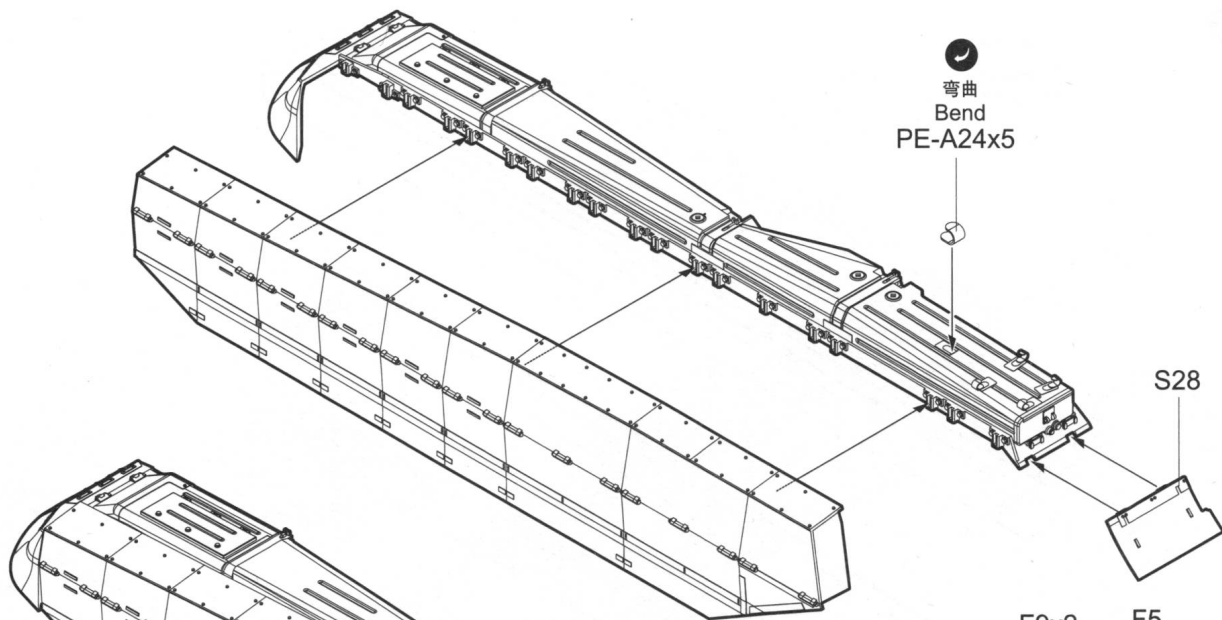
单侧履带需要80节  
Complete track for one side require 80 links.



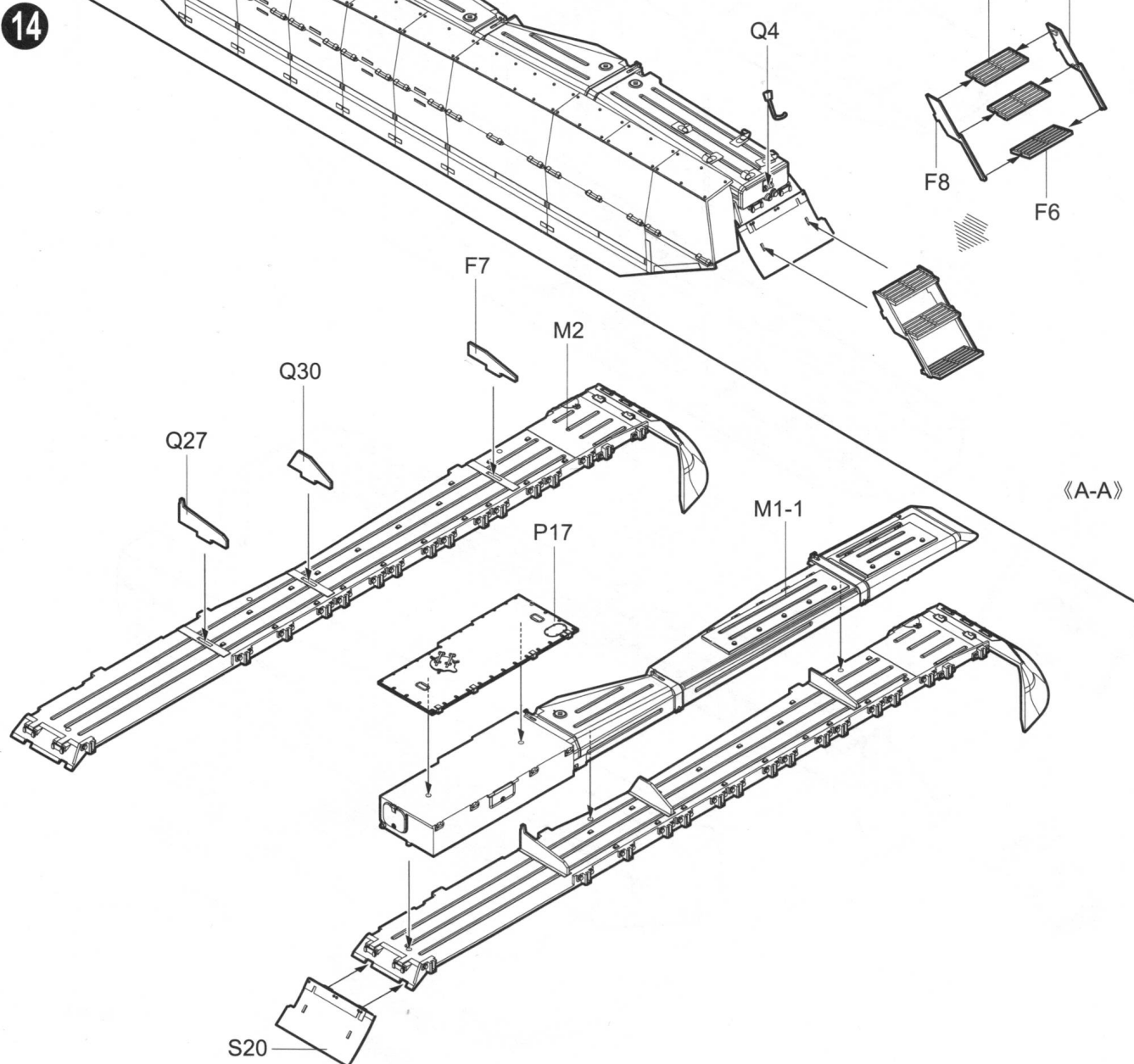
12

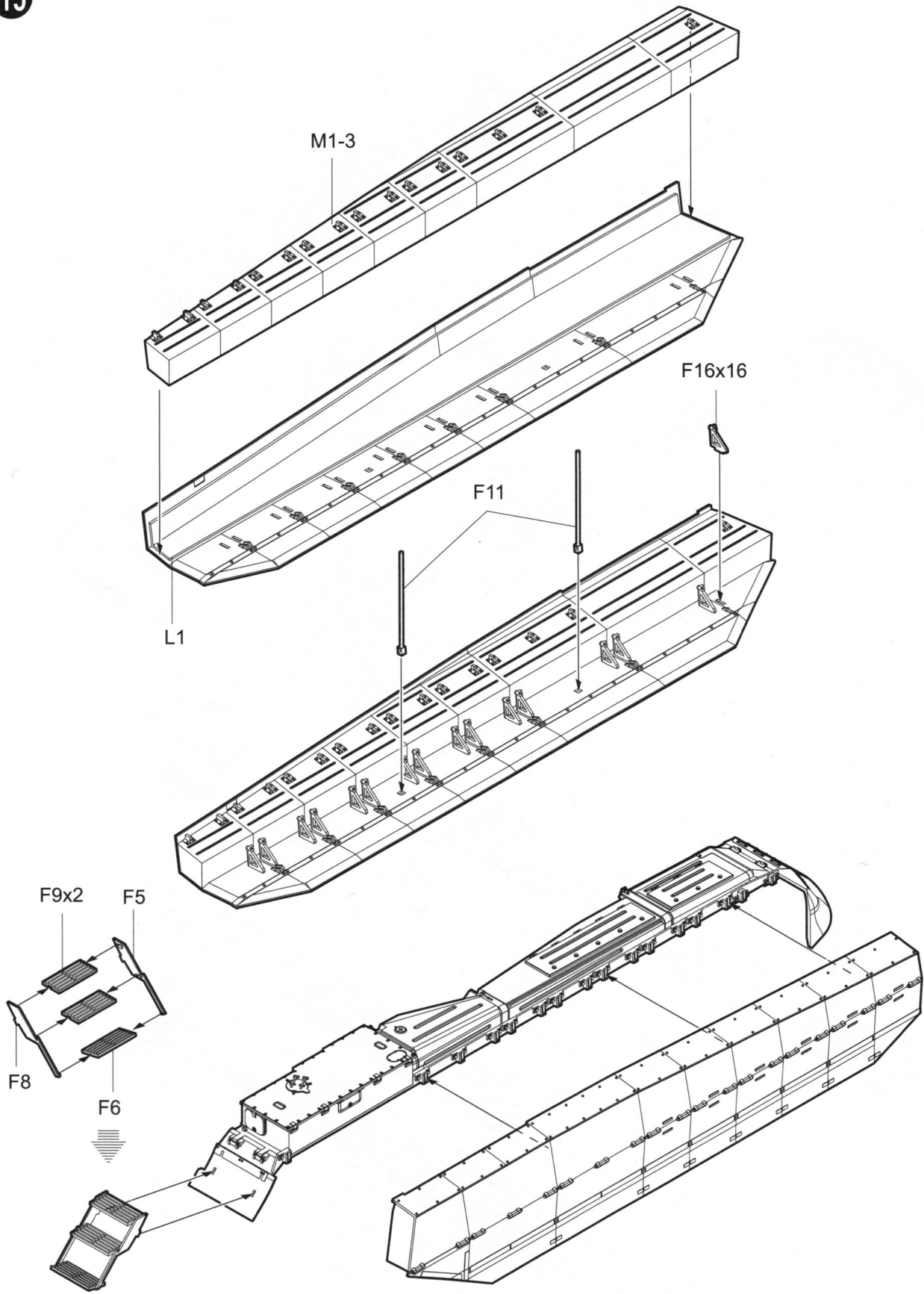


13

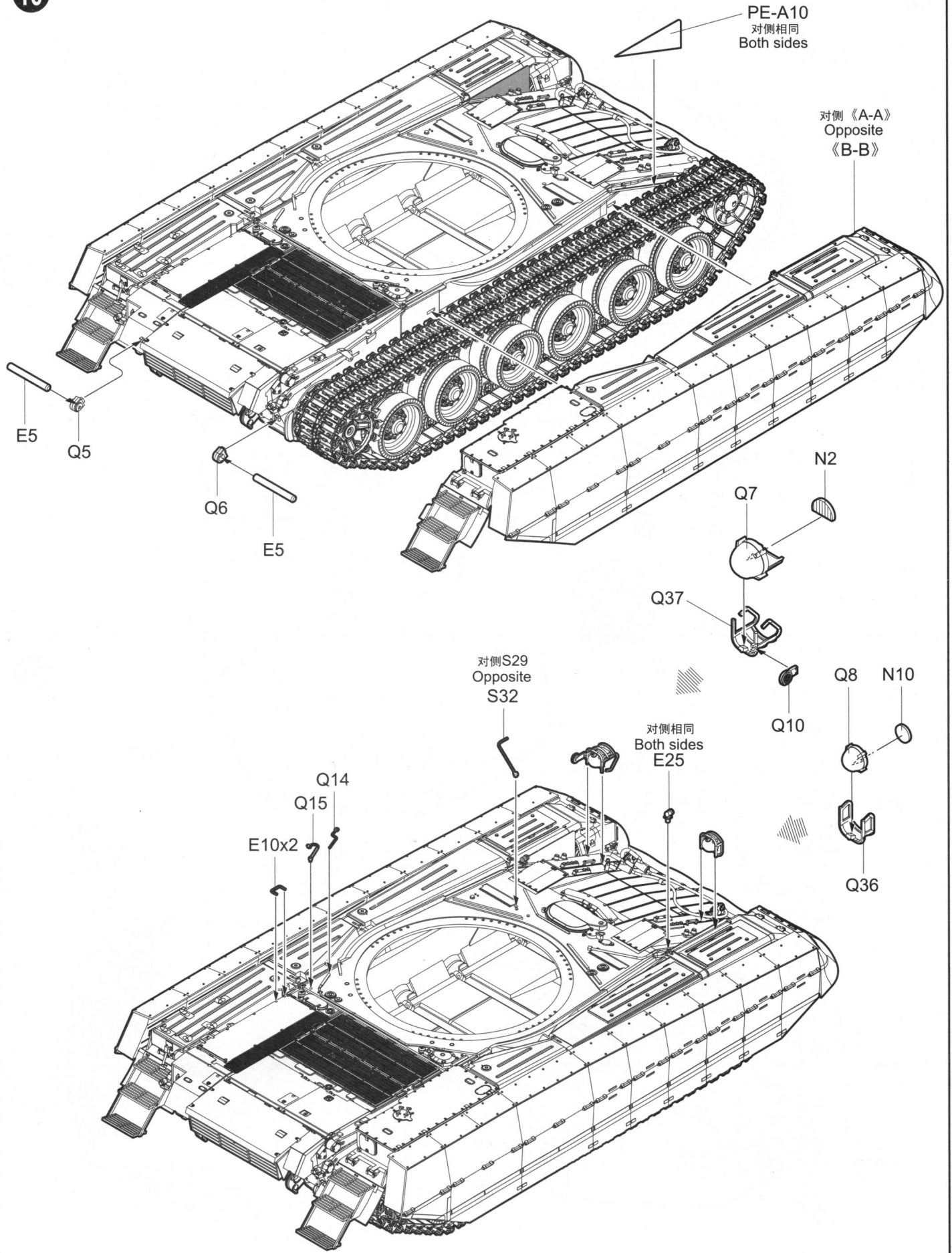


14

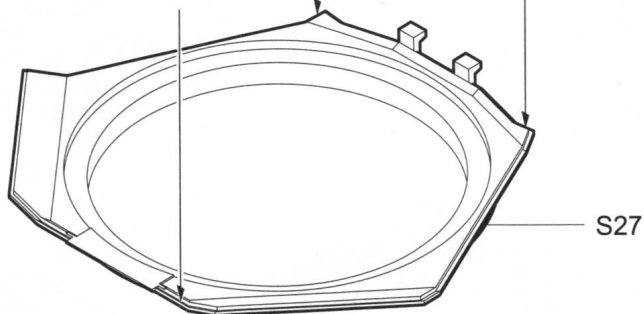
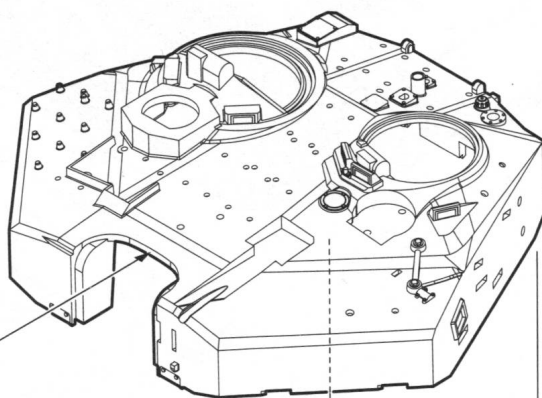
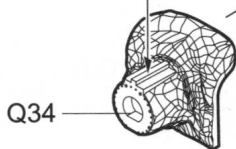
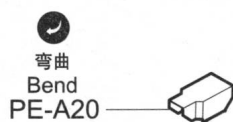
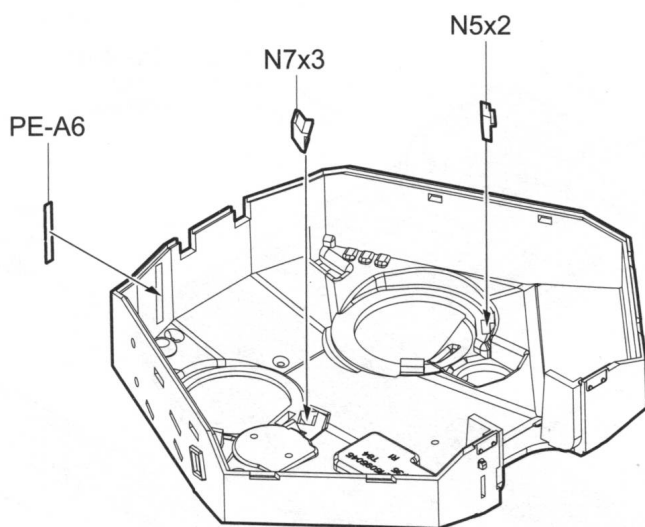




«B-B»



17



L9

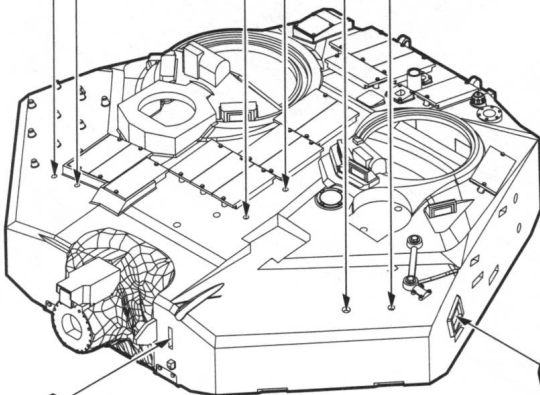


S17

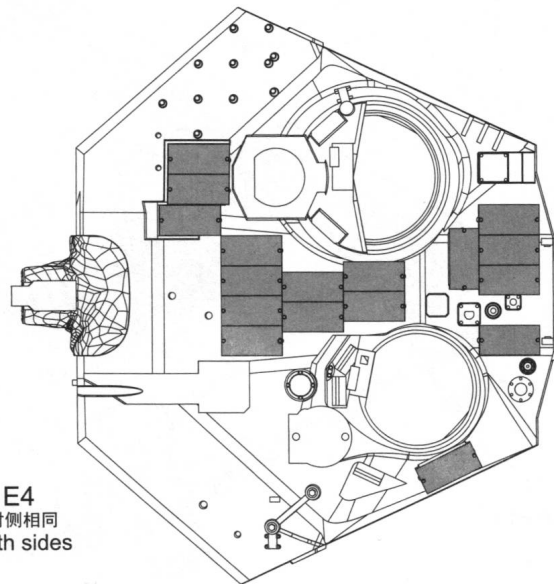


E30x17

S19



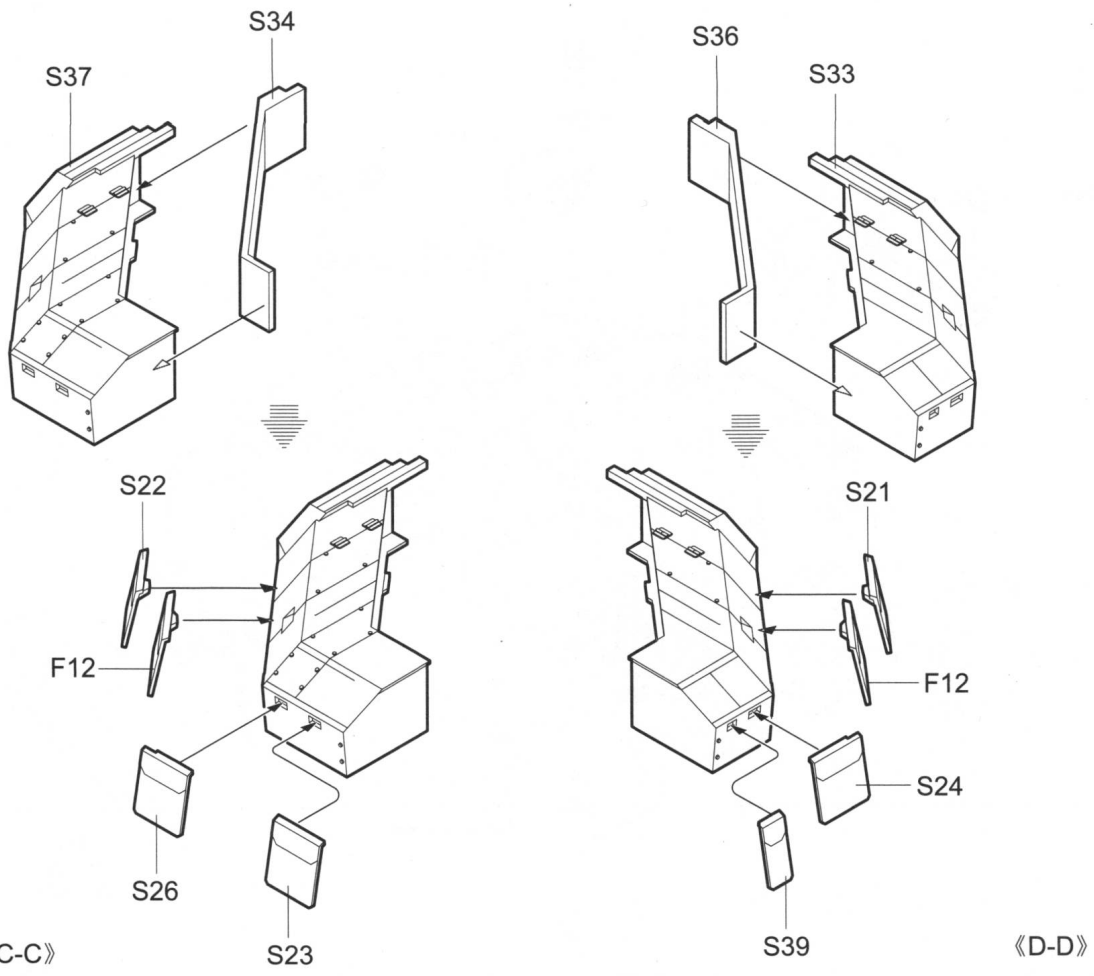
F13x2



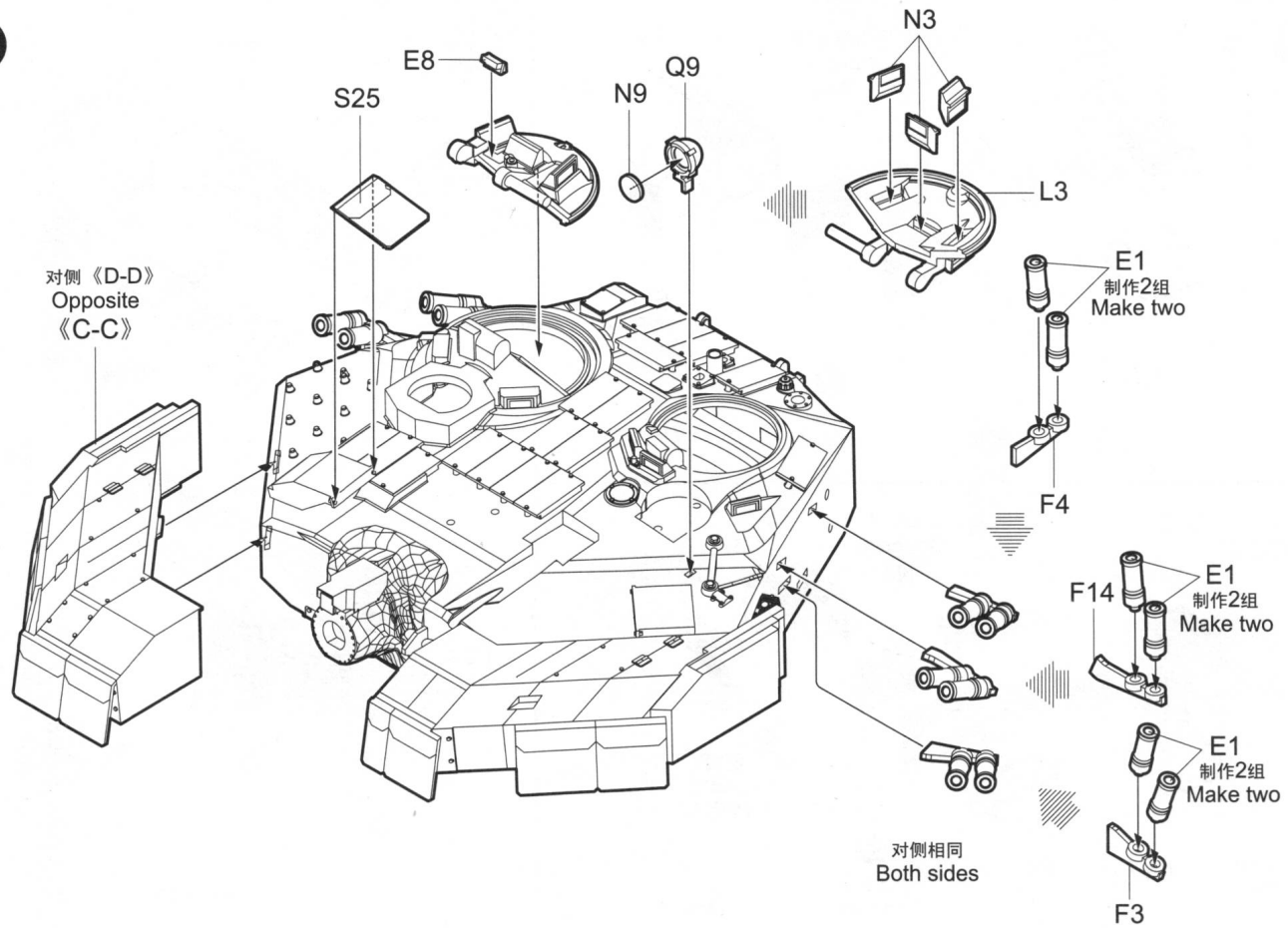
E4  
对侧相同  
Both sides



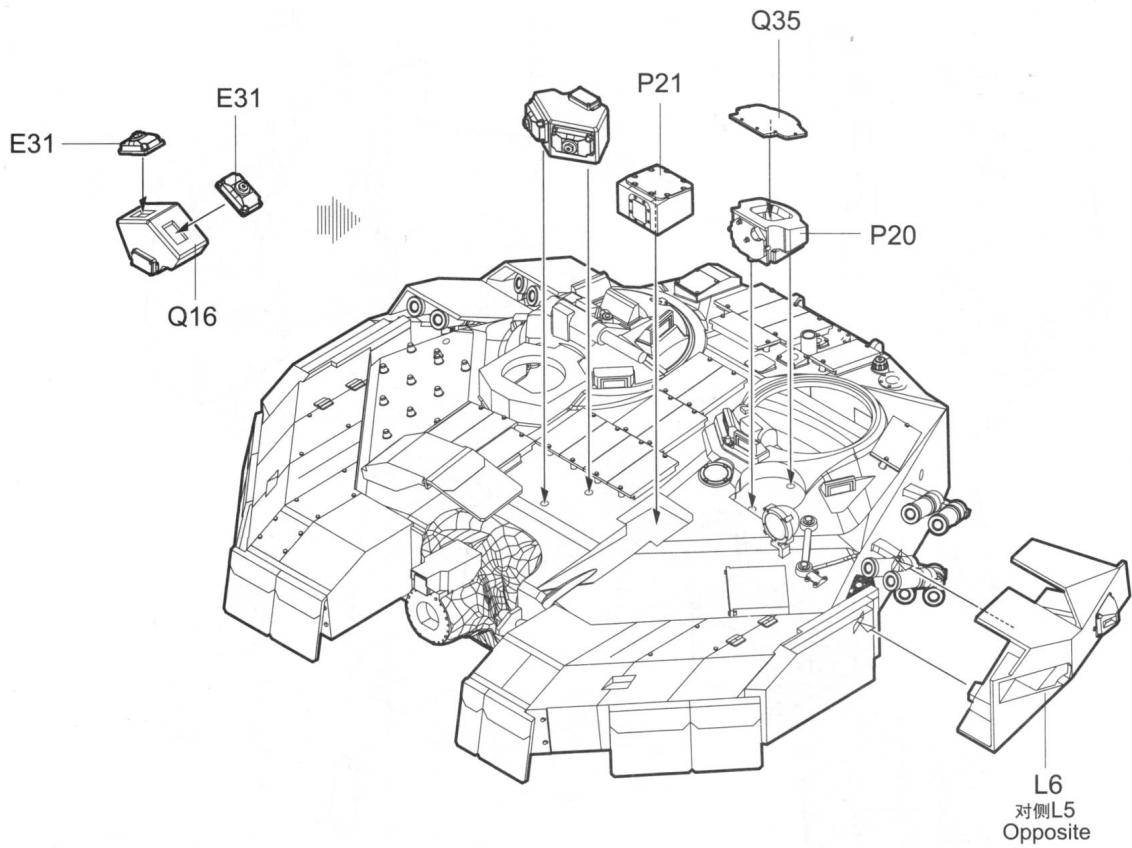
18



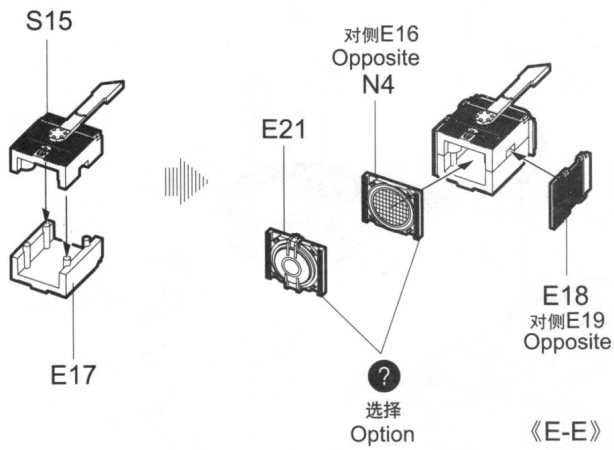
19



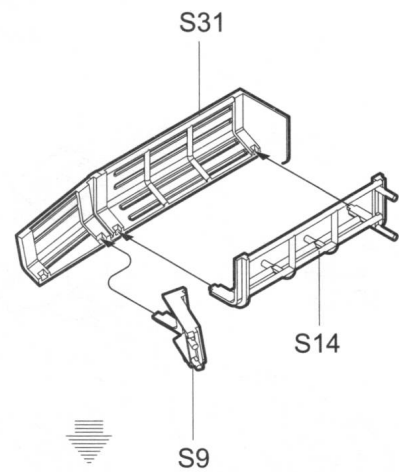
20



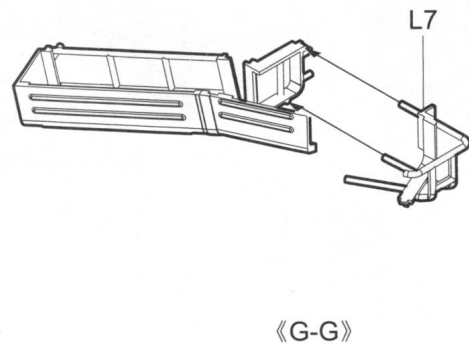
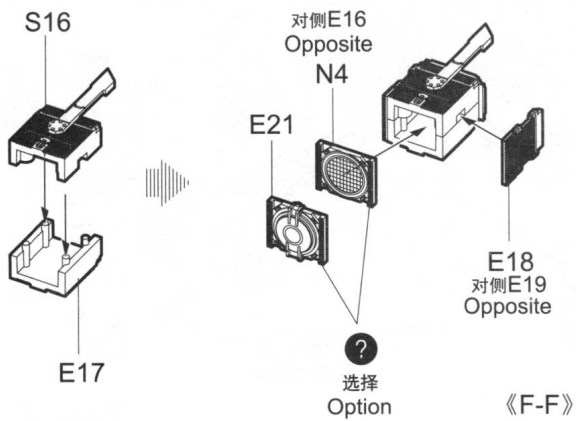
21



22

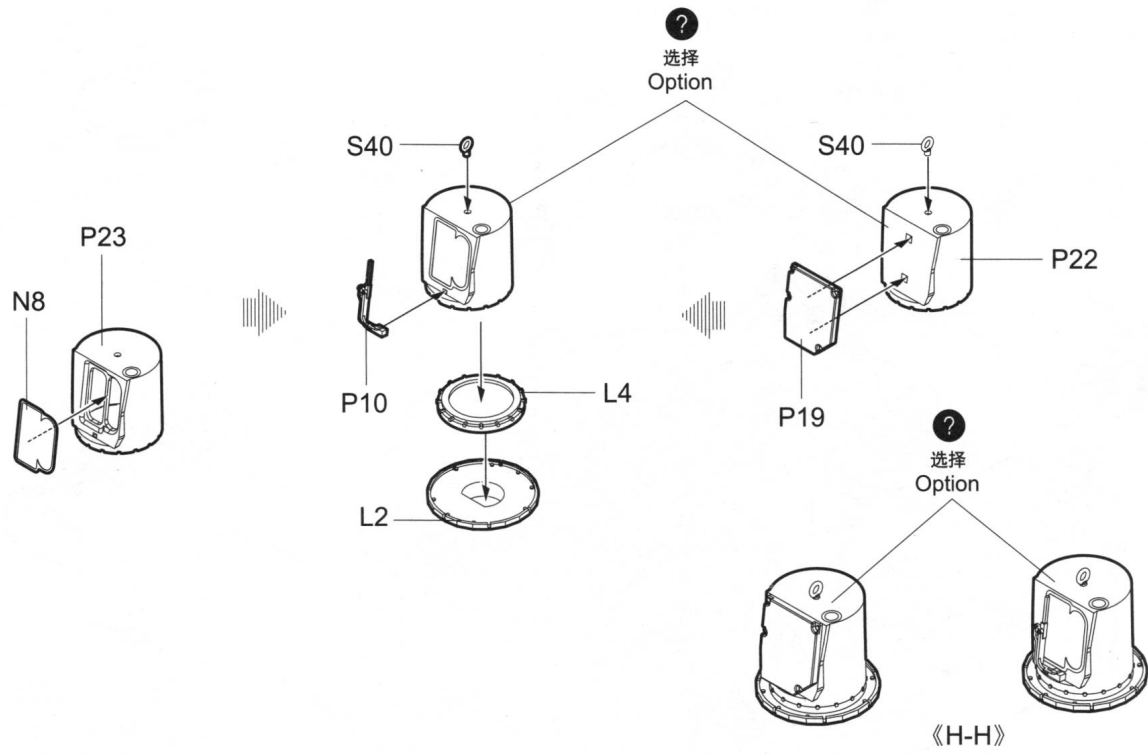


23

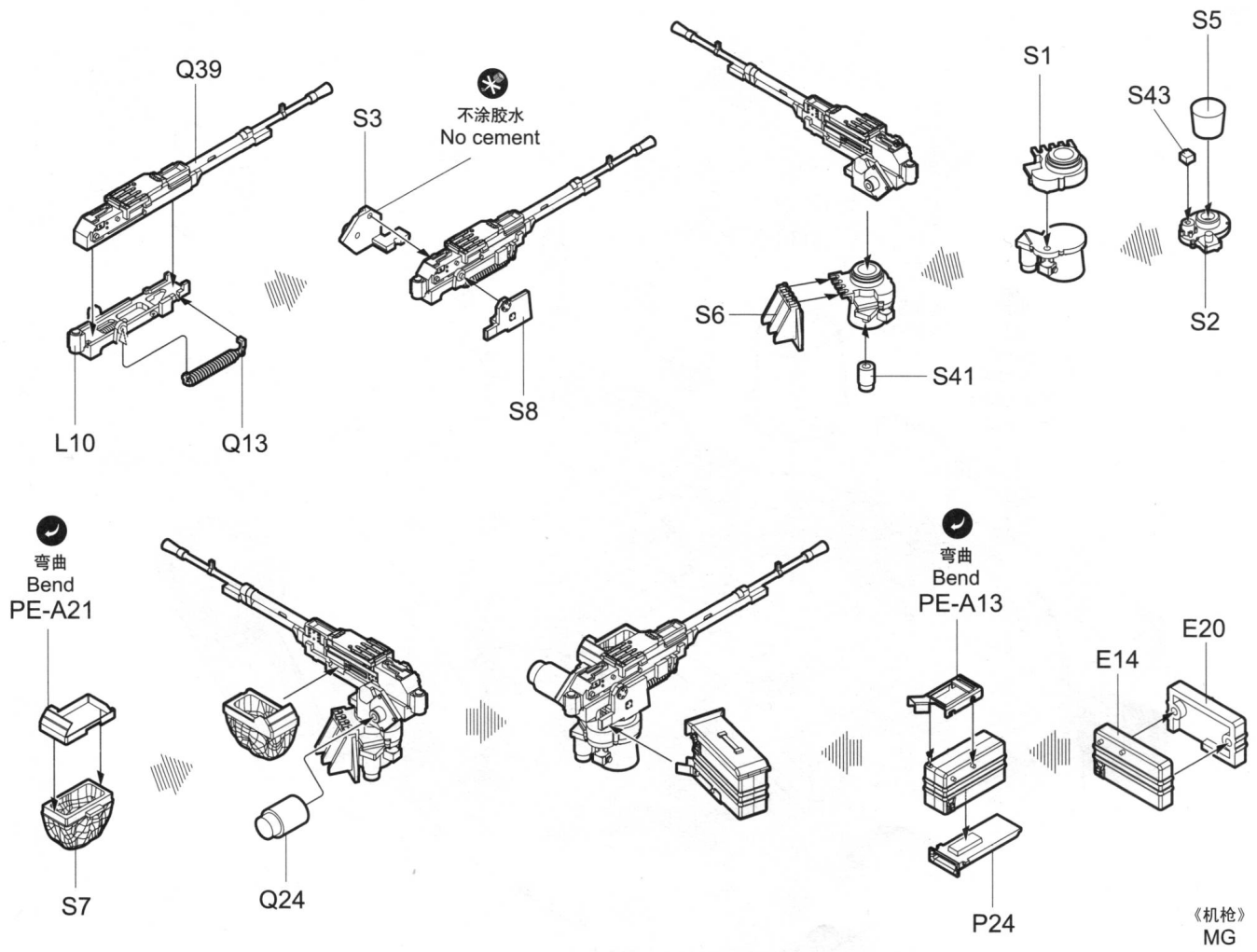




24



25



26

对侧《F-F》  
Opposite  
《E-E》

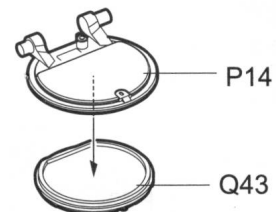
弯曲  
Bend  
PE-A16

E8

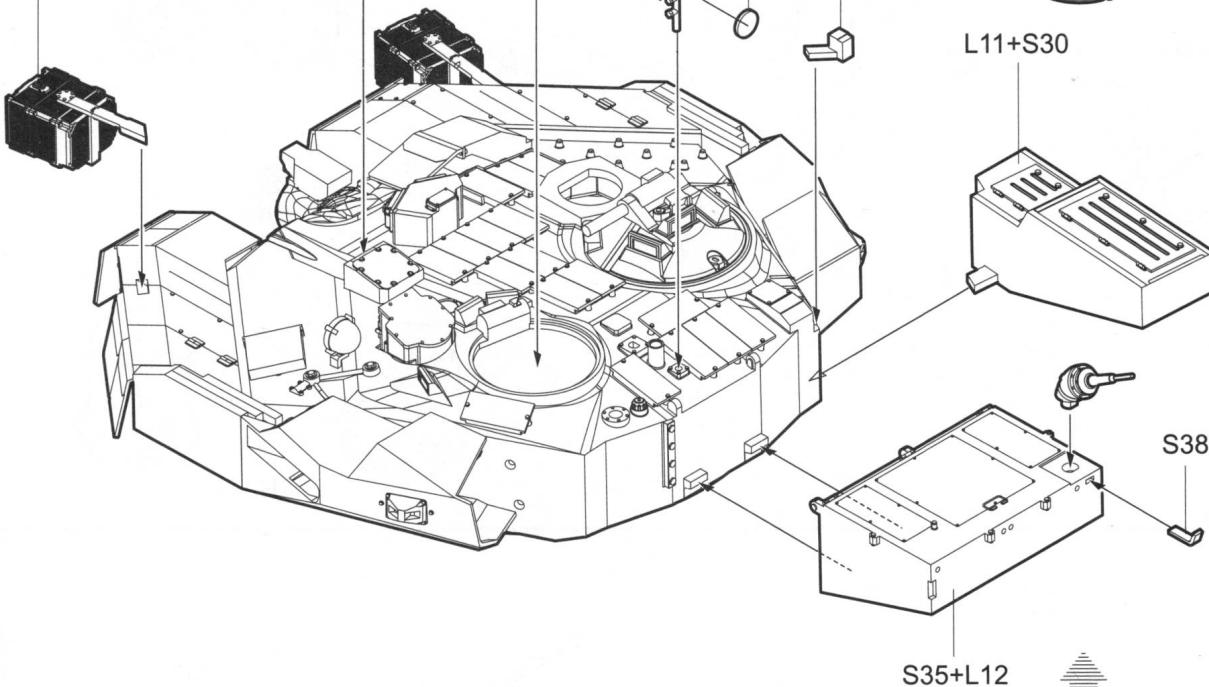
Q17

N9

S45



L11+S30

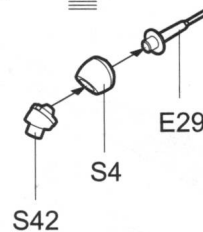


S38

S35+L12

Q32

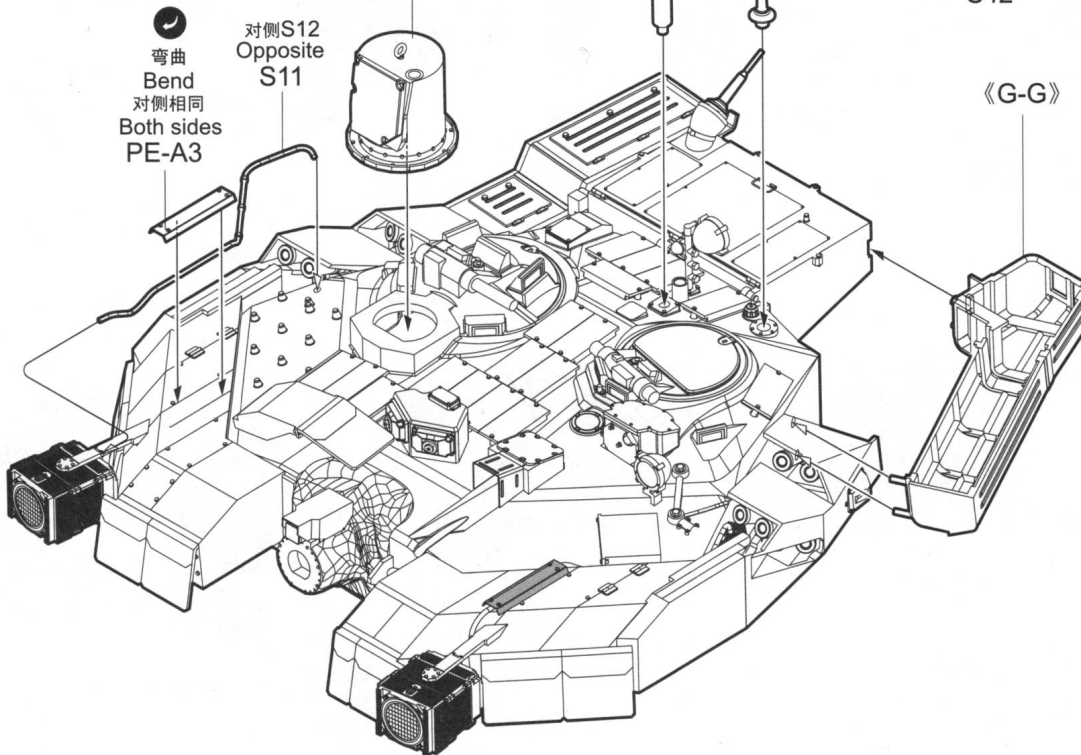
E29



《H-H》

弯曲  
Bend  
对侧相同  
Both sides  
PE-A3

对侧S12  
Opposite  
S11



《G-G》

