



German Sd.Kfz.179 Bergepanther Ausf.G

ドイツベルゲパンサーG型 戦車回収車 德国“黑豹”坦克抢修车G型

PLEASE READ BEFORE OPERATION!

- * Tools recommended as below: (Not included)
Adhesives; Paints; Side Cutters; Sharp Edged Pliers; Modeling Knife; Modeling File; Nippers; Drill; Scissors; Sand Paper; Soft Cloth; Cyanoacrylate Glue.
- * Make sure to read this instruction listed below before assembling.
- * The kit contains the small parts, they can be dangerous if swallowed by mistake, so keep them away from reach of children.
- * Cut the all parts off carefully and remove the waste parts into the garbage can.
- * More caution and care should be needed for cutting and handling the photo etched parts.
- * Make attention that some parts should be attached the decal when assembled.
- * During assembling, please tear up and throw away the plastic bags, or may cause the dangerous if wearing over head by children's mistake.
- * When using the adhesives and paints, please do not use them in the closed room or near the fire, also must be very careful to protect your eyes, face and clothes.
- * Adult supervised when assembled by children under 14 years old.

装配前请仔细阅读:

- * 推荐使用的模型工具(请自备):
专用模型胶水, 专用模型油漆, 水口剪刀, 长咀钳, 刀片, 锉刀, 镊子钳, 钻, 剪刀, 软布, 砂纸, 瞬间快干胶等。
- * 用水口剪刀或刀片小心切下所有塑胶零件和蚀刻片零件, 不要遗失小零件。
- * 切取蚀刻片时应特别注意防止利边划伤手指。
- * 用模型锉刀小心锉平所有零件表面的注射浇口。
- * 用适量的强力快干胶水粘合蚀刻片零件和金属轴, 切忌过量, 否则可能导致可动零件被粘住。
- * 注意某些零件表面需在装配时同步贴水上贴纸。
- * 制作时应远离幼儿并将包装袋及时收妥, 谨防小孩玩耍而引起意外。



强力胶

Cyanoacrylate glue



配重

Weight



钻孔

Make hole



切除

Cut/Remove



选择

Option



不涂胶水

No cement



贴纸

Decal



弯曲

Bend



填补

Repair



先装

Install it first



锉平

File / Sand

The method to apply the decals

1. Cut off the decal from the decal paper and put it into the warm water 40°C for 10 seconds.
2. Take the decal from the water and put it on a piece of clean cloth.
3. Remove the decal slowly from the paper to the targeted location by a wet finger.
4. Use a piece of dry and soft cloth to press it gently on the decal until it getting dry and no bubble existing.

水贴纸的使用方法:

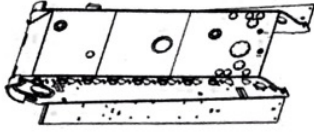
- 一. 把相关的印花从水贴上剪下, 放入40°C左右的温水中浸10秒。
- 二. 然后将印花放在干净的布上。
- 三. 拿上印花纸板, 手指蘸水将印花移到适当的位置。
- 四. 用软干布轻压印花直至水干, 气泡消失。

* 说明书中含有重要信息, 应保留。 Please Keep instruction since it contains important information.

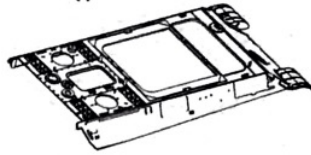
部品图

Parts

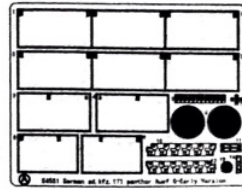
《车底》
Lower hull



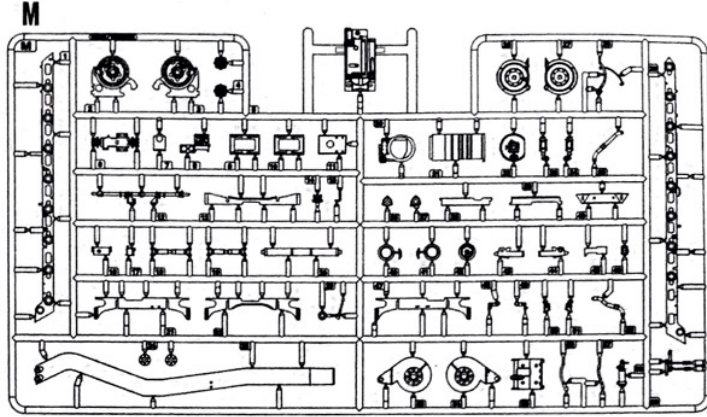
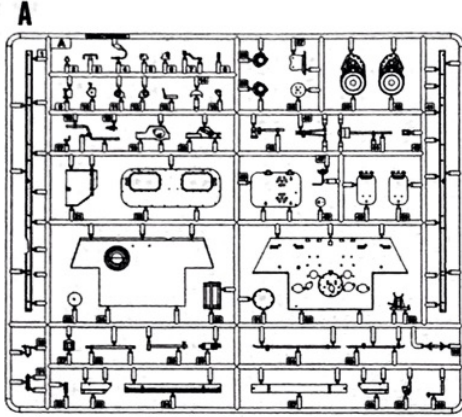
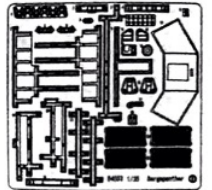
《车面》
Upper hull



《蚀刻片》
PE-A



《蚀刻片》
PE-B



《铜缆》
Cable



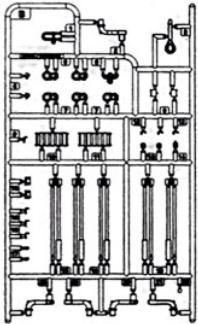
《棉绳》
Thread



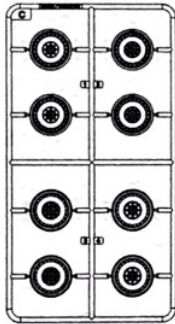
《链条》
Chain



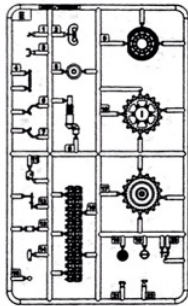
Bx4



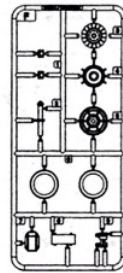
Cx4



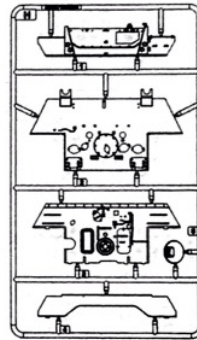
Ex2



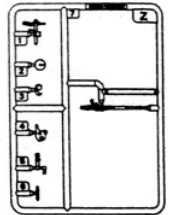
Fx2



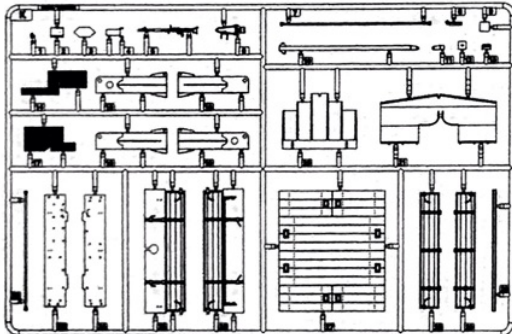
H



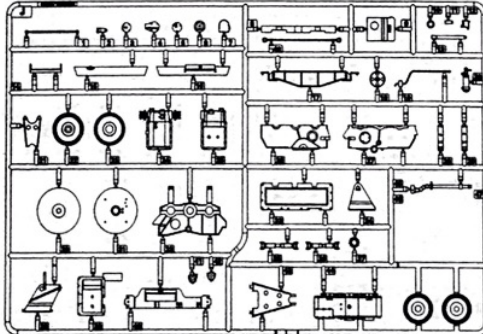
Z



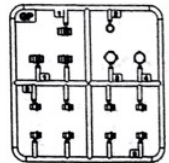
K



J



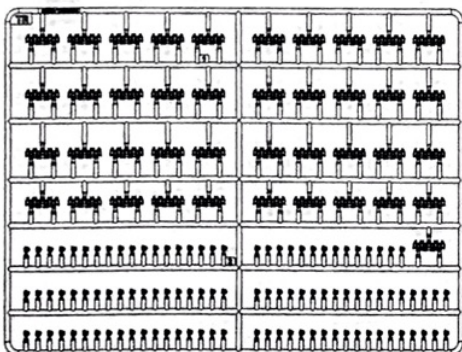
GP



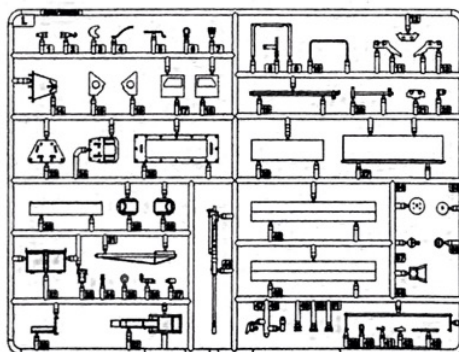
《水贴》
Decal



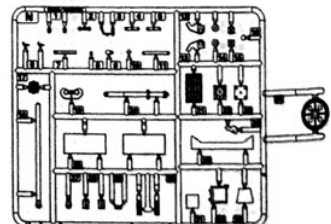
TRx5



L



Nx2

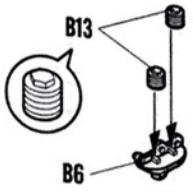


1
STEP

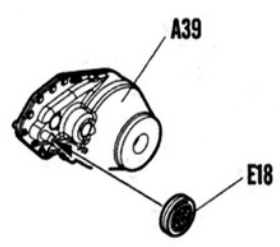
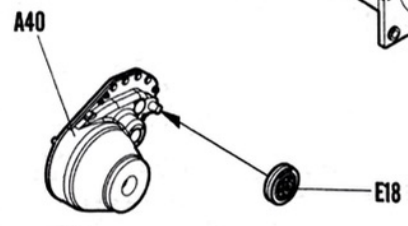


《制作2组》
Make two

《车底》
Lower hull

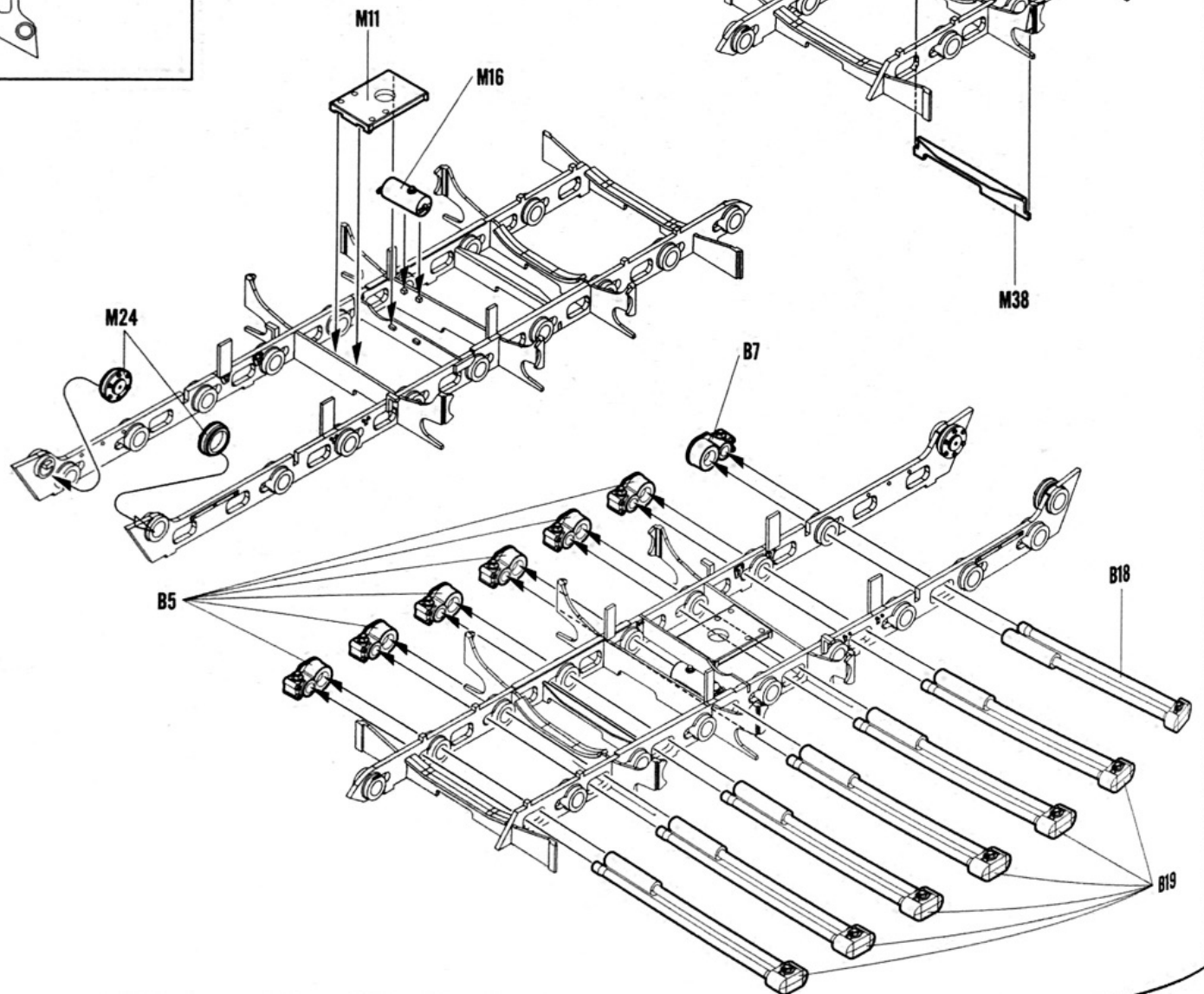
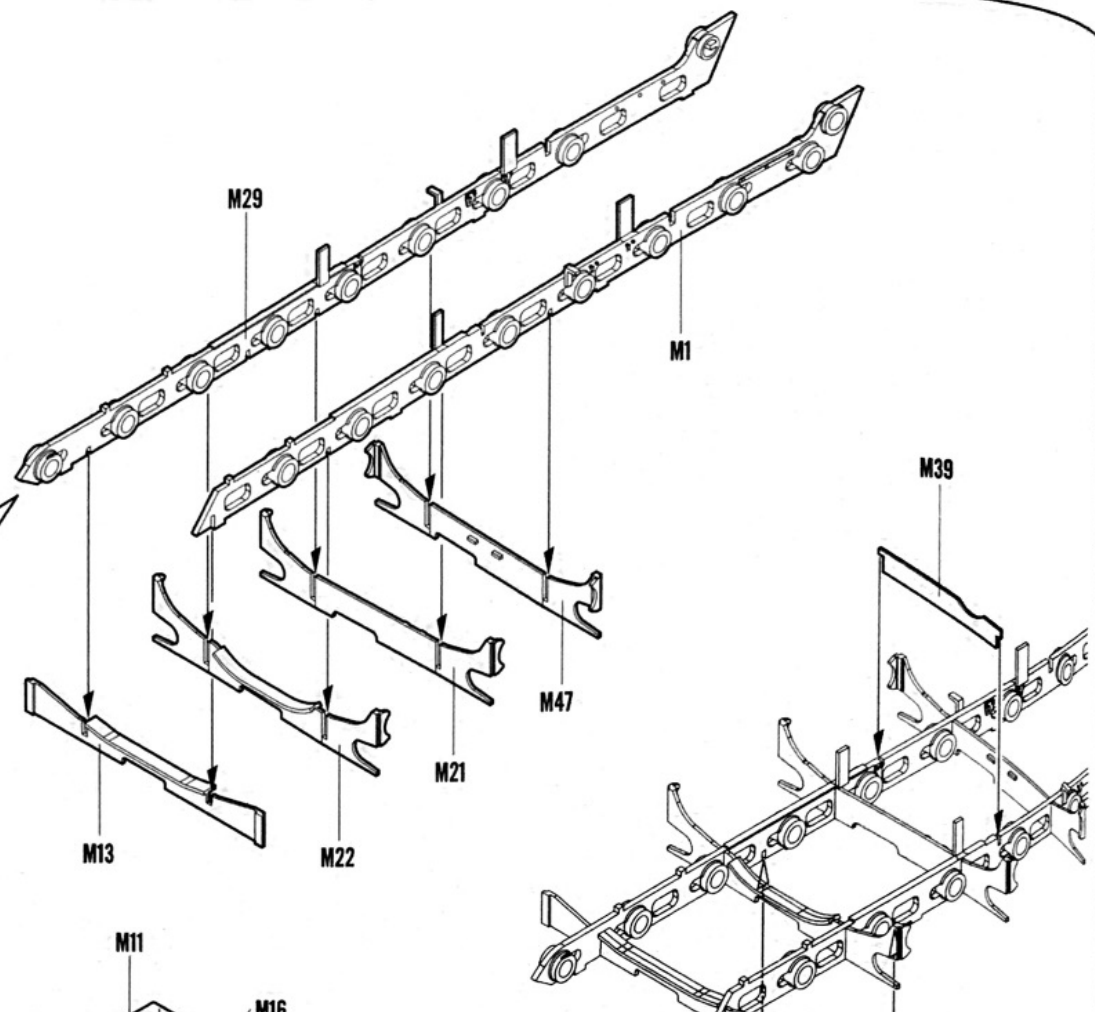
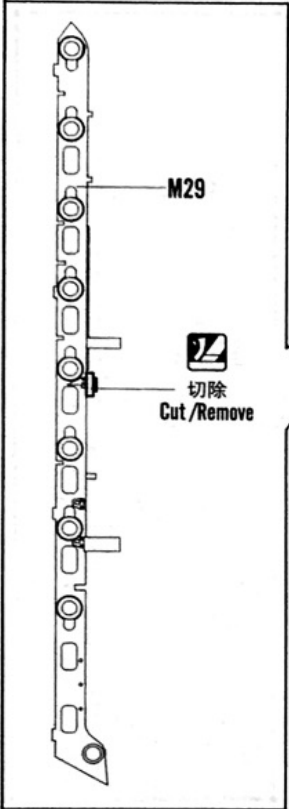


《制作4组》
Make four

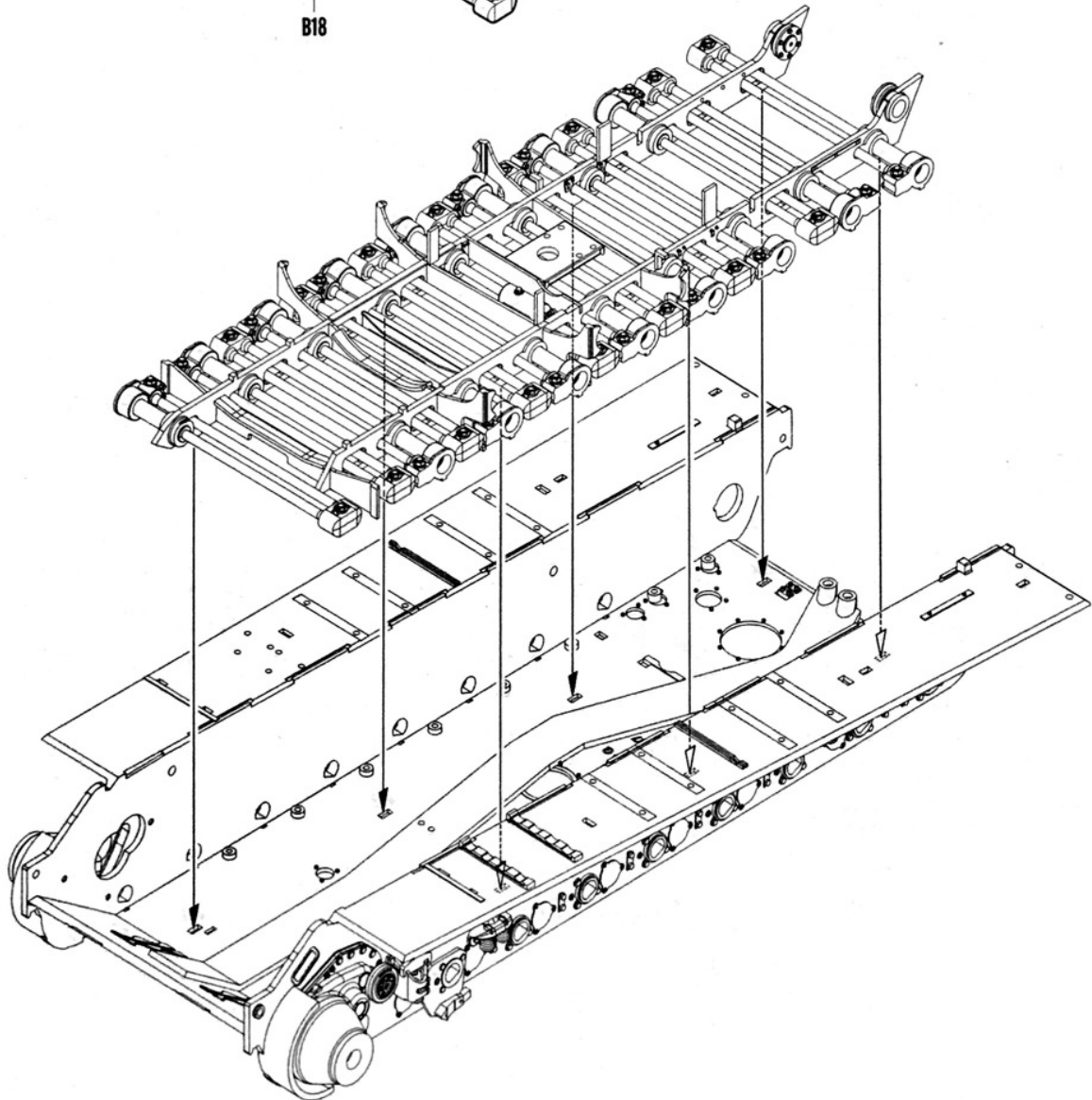
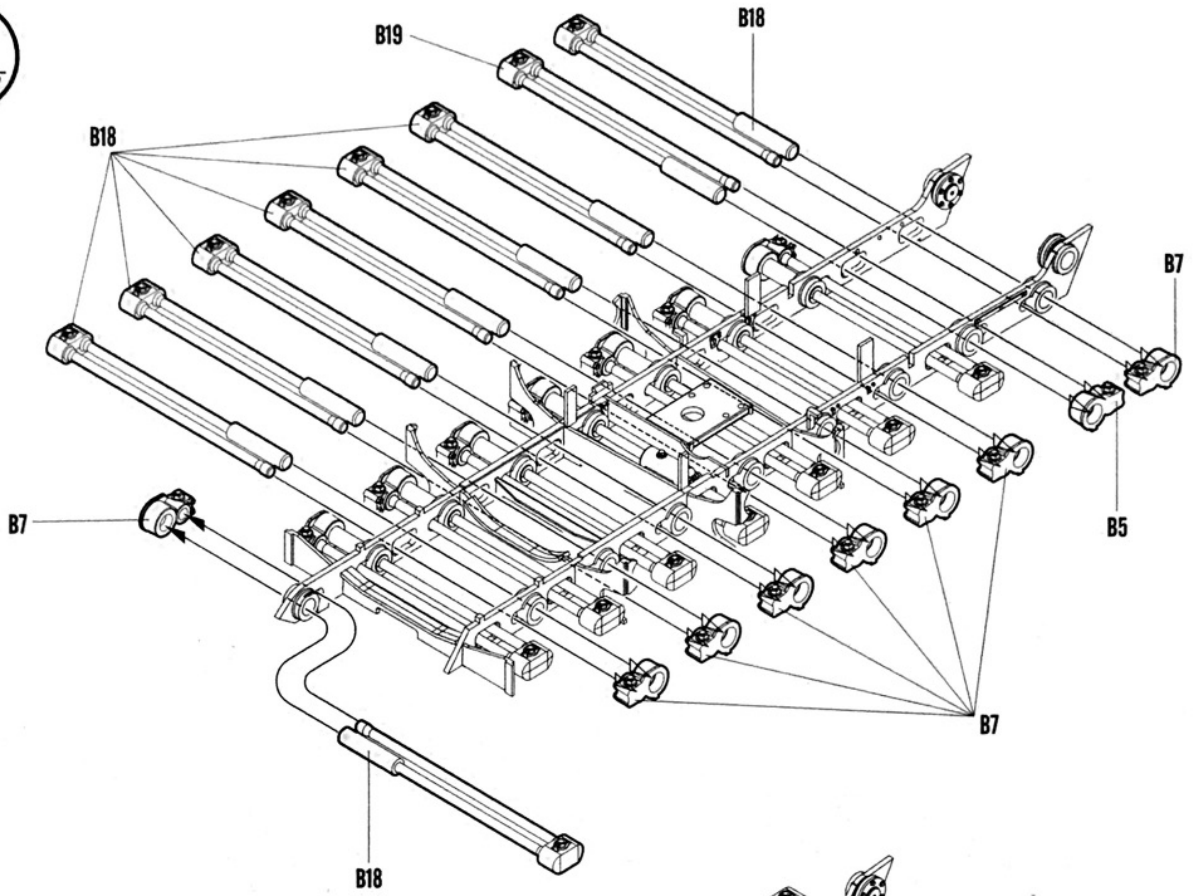


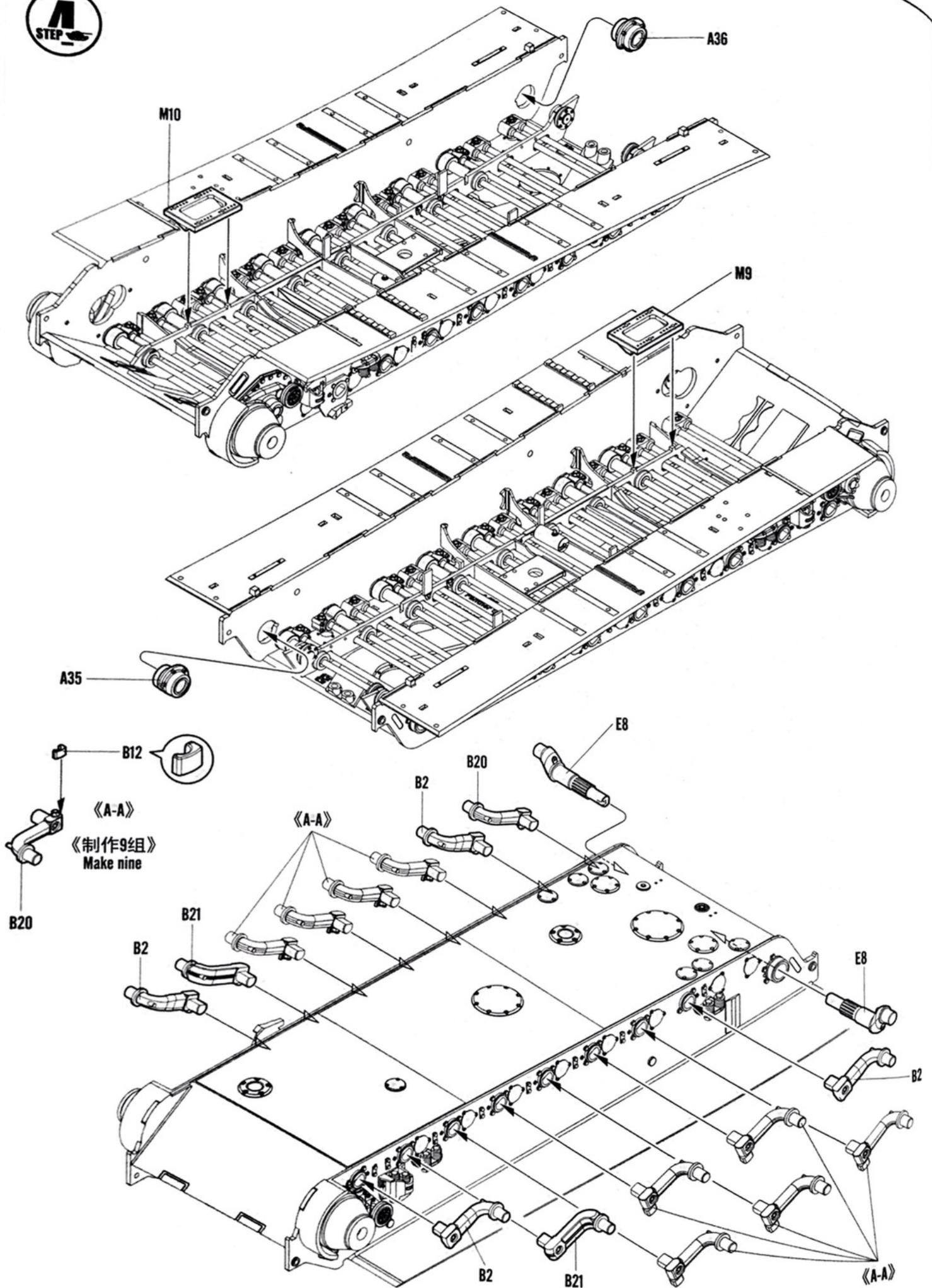
M25

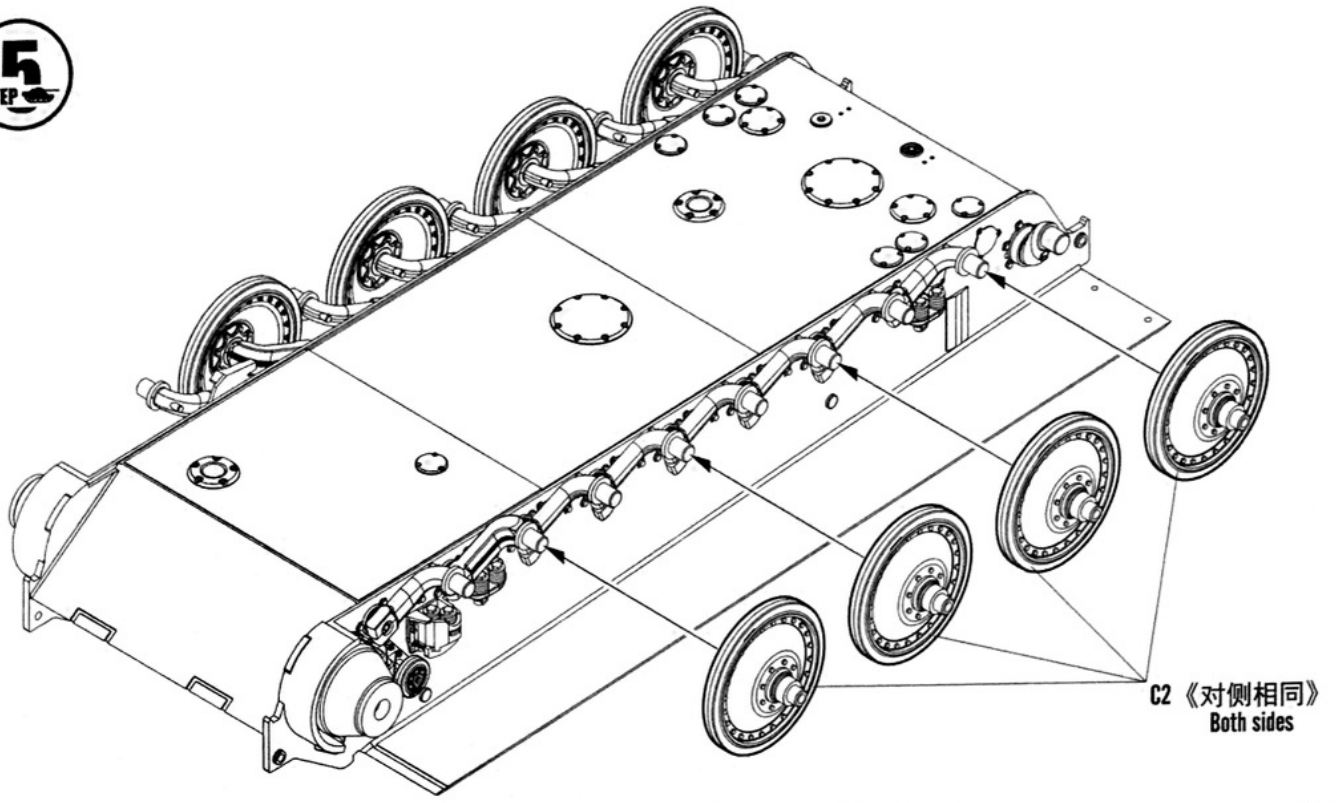
2
STEP



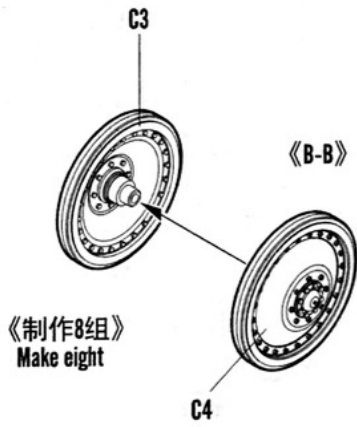
3
STEP



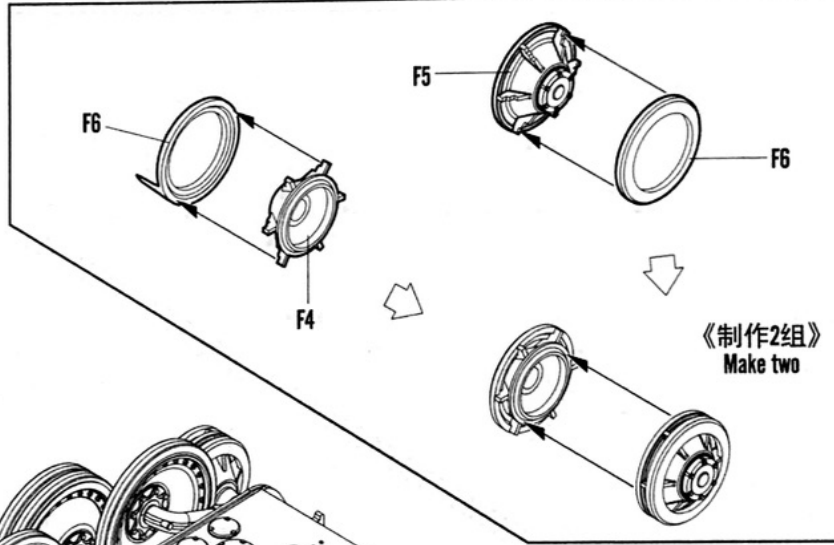




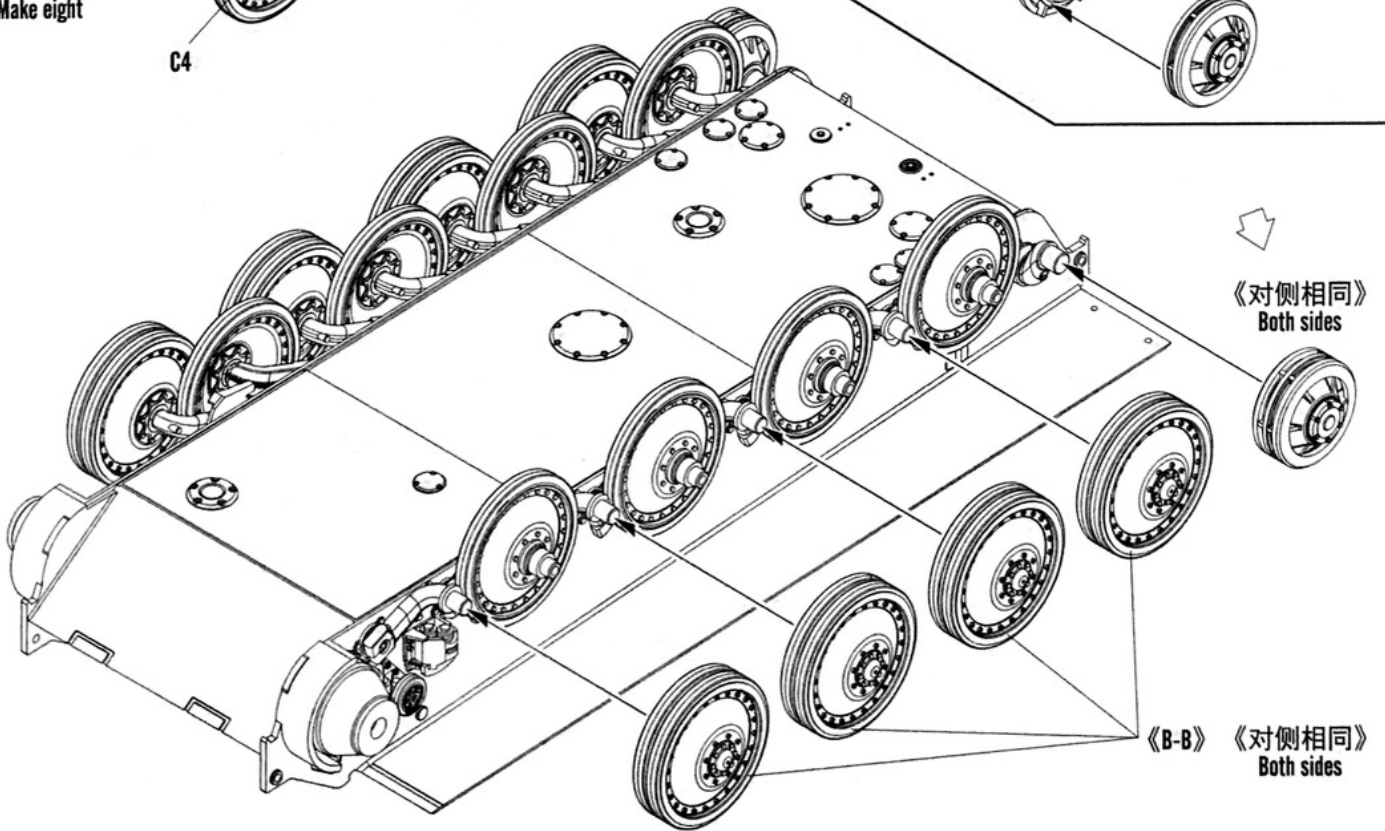
C2 《对侧相同》
Both sides



《制作8组》
Make eight

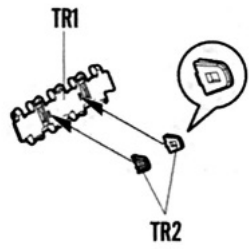
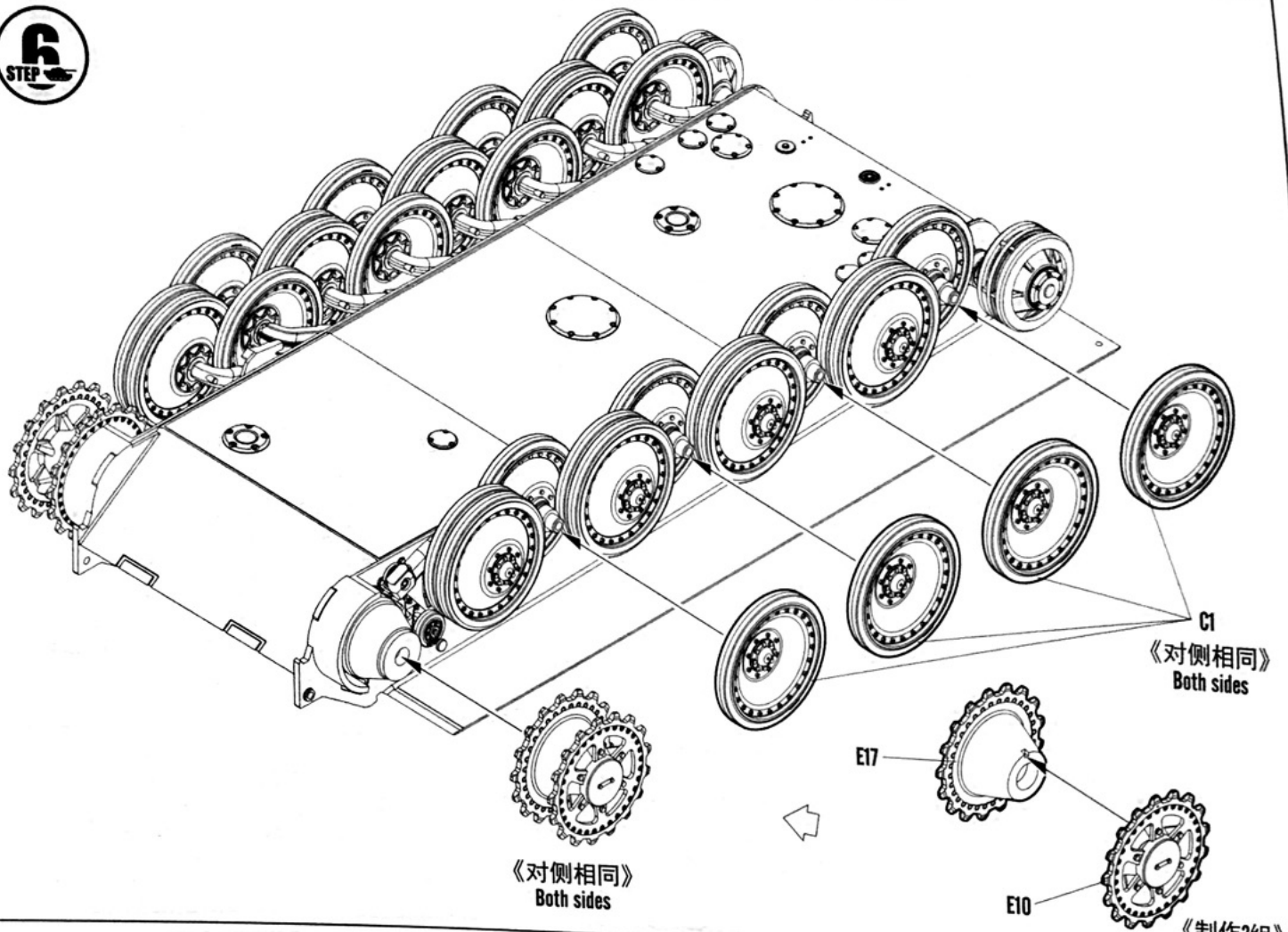


《制作2组》
Make two

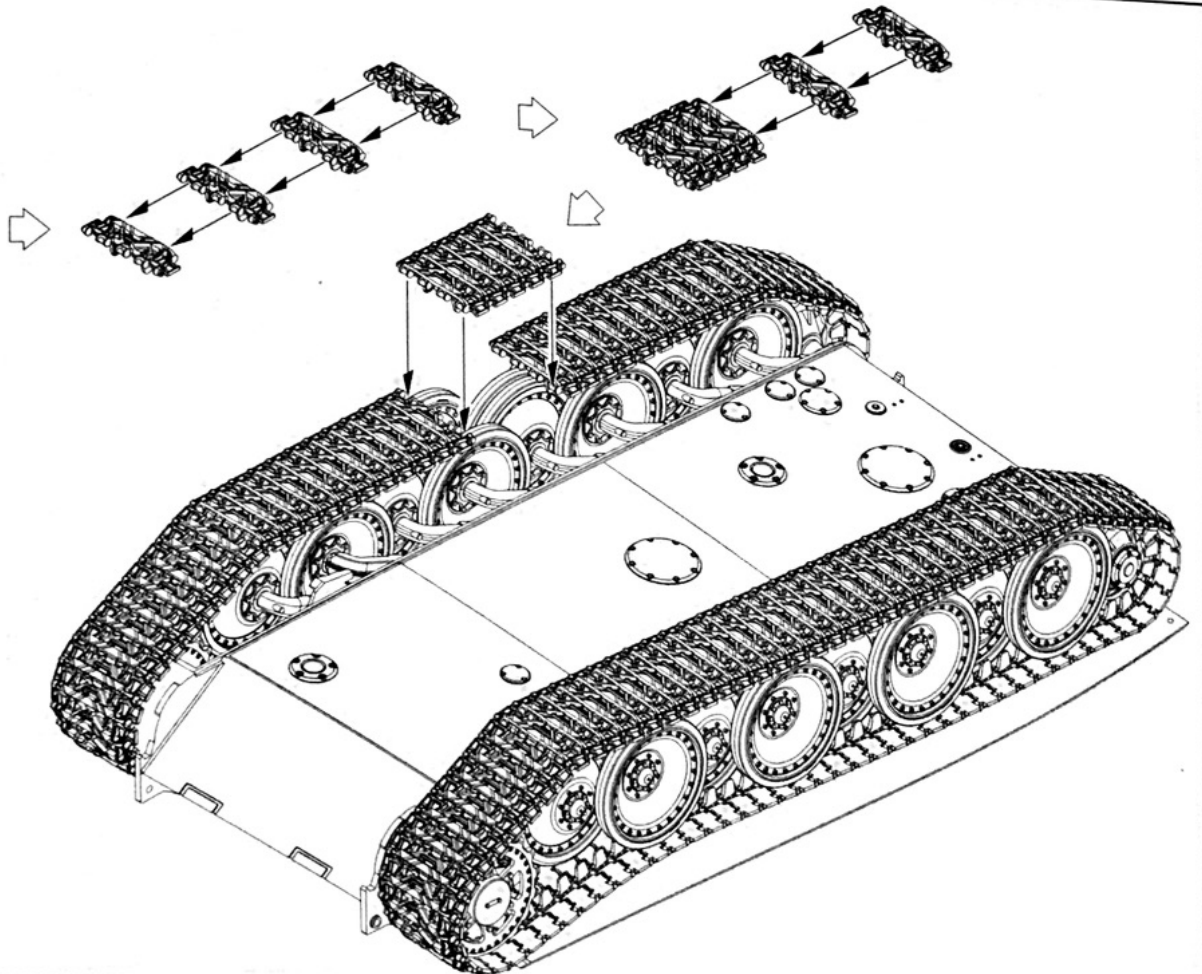


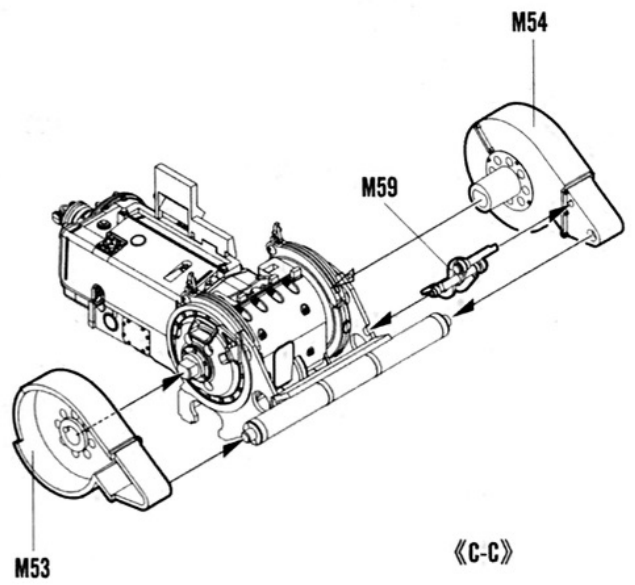
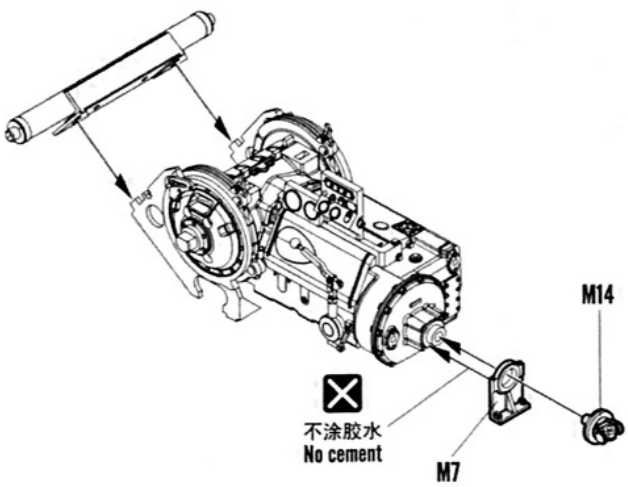
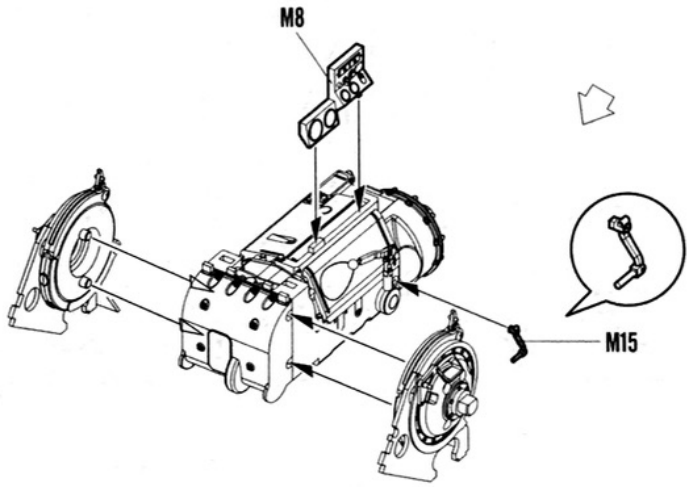
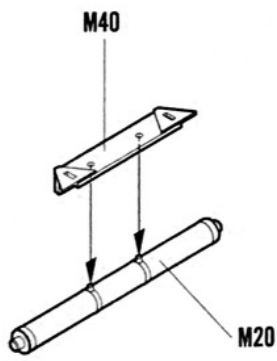
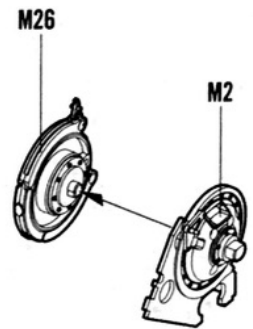
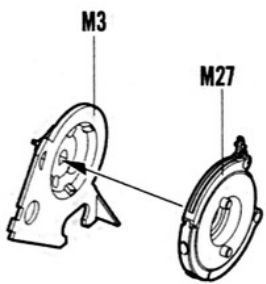
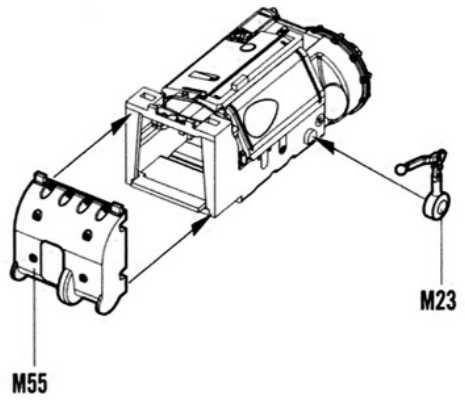
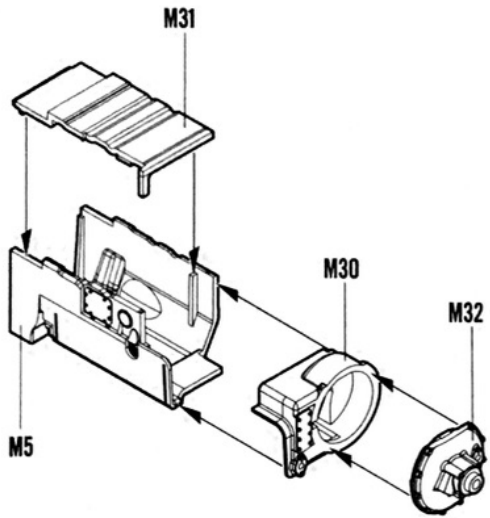
《对侧相同》
Both sides

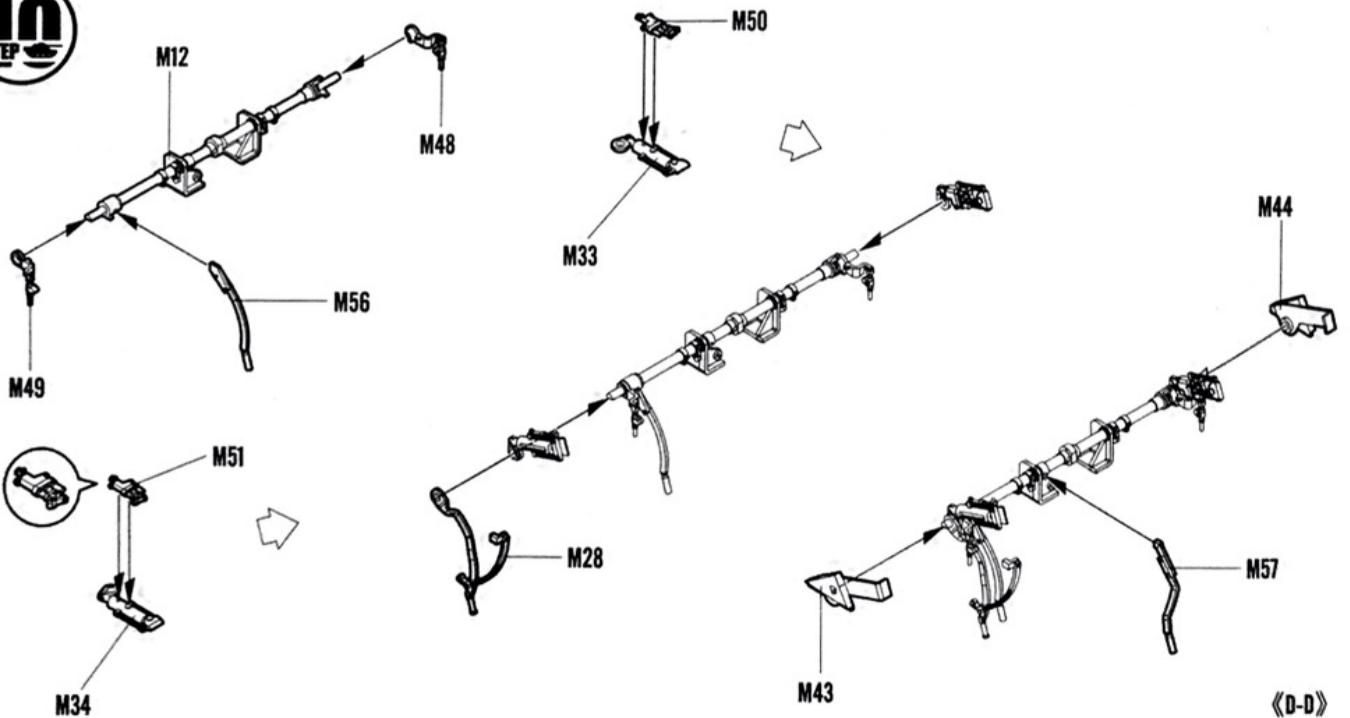
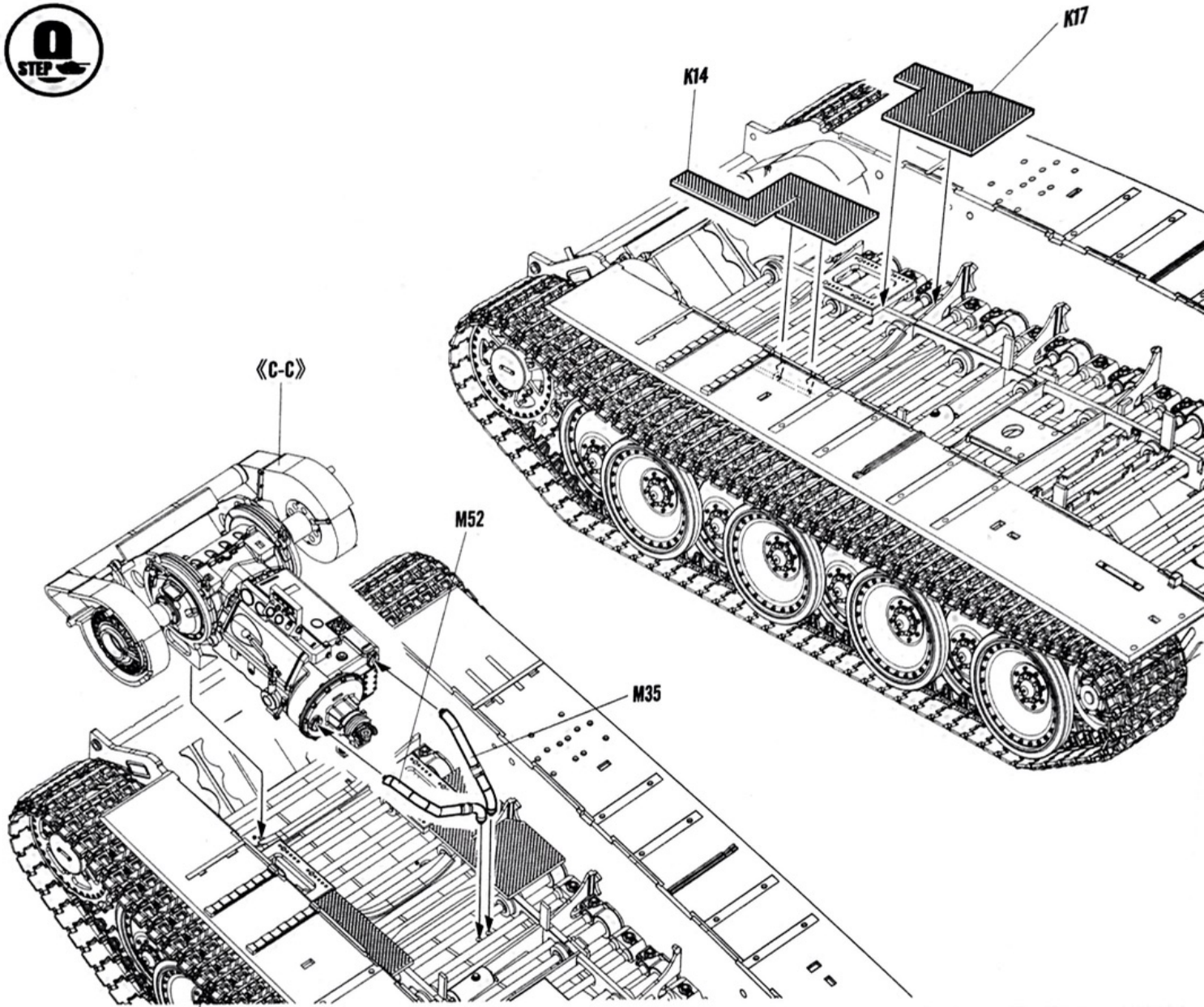
《B-B》 《对侧相同》
Both sides



单侧履约需98节
Complete track for
one side requirse 98 links







11
STEP

PE-B10x6

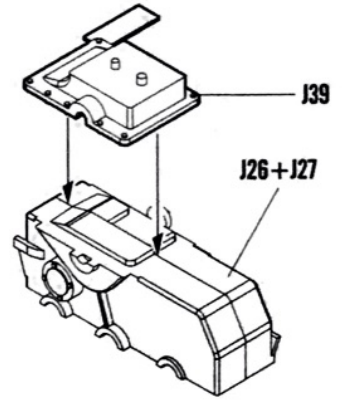
J44

PE-B10x6

J33

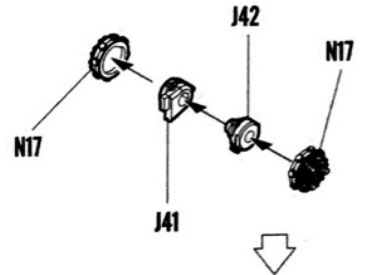
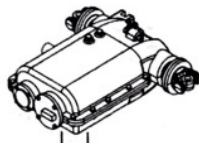
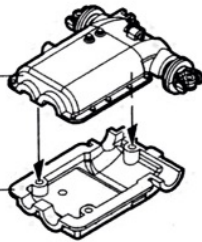
J18

J39



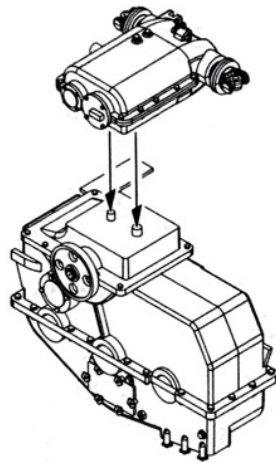
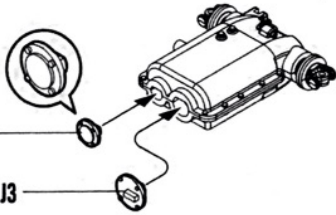
J24

J25



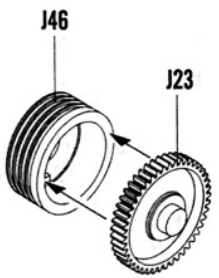
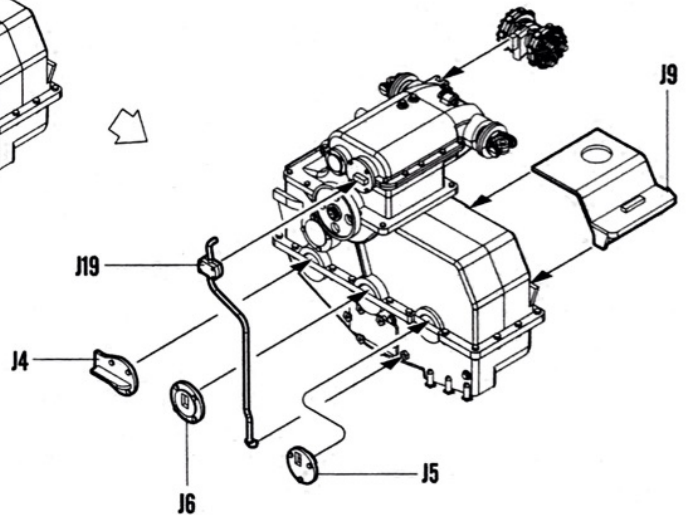
J10

J3

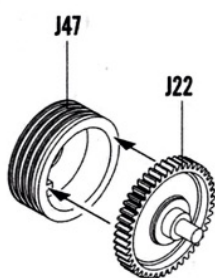


J19

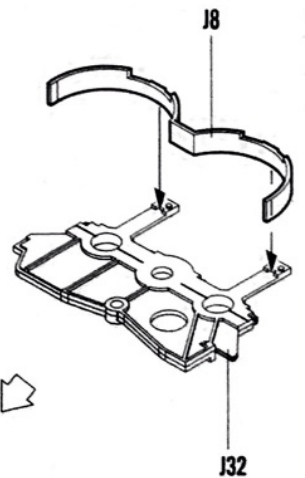
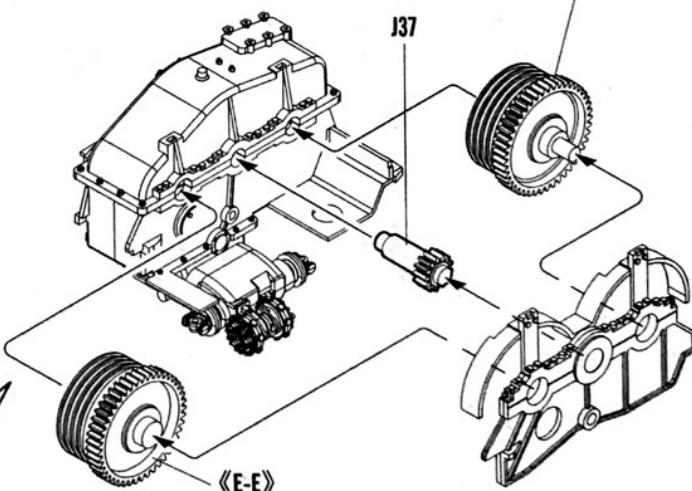
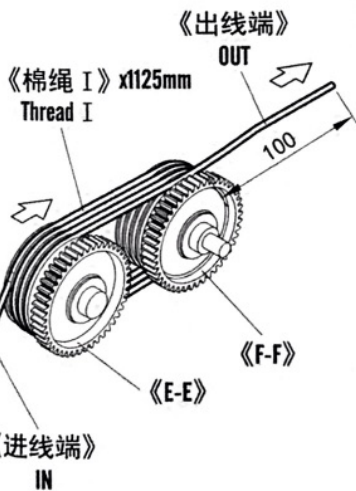
J9

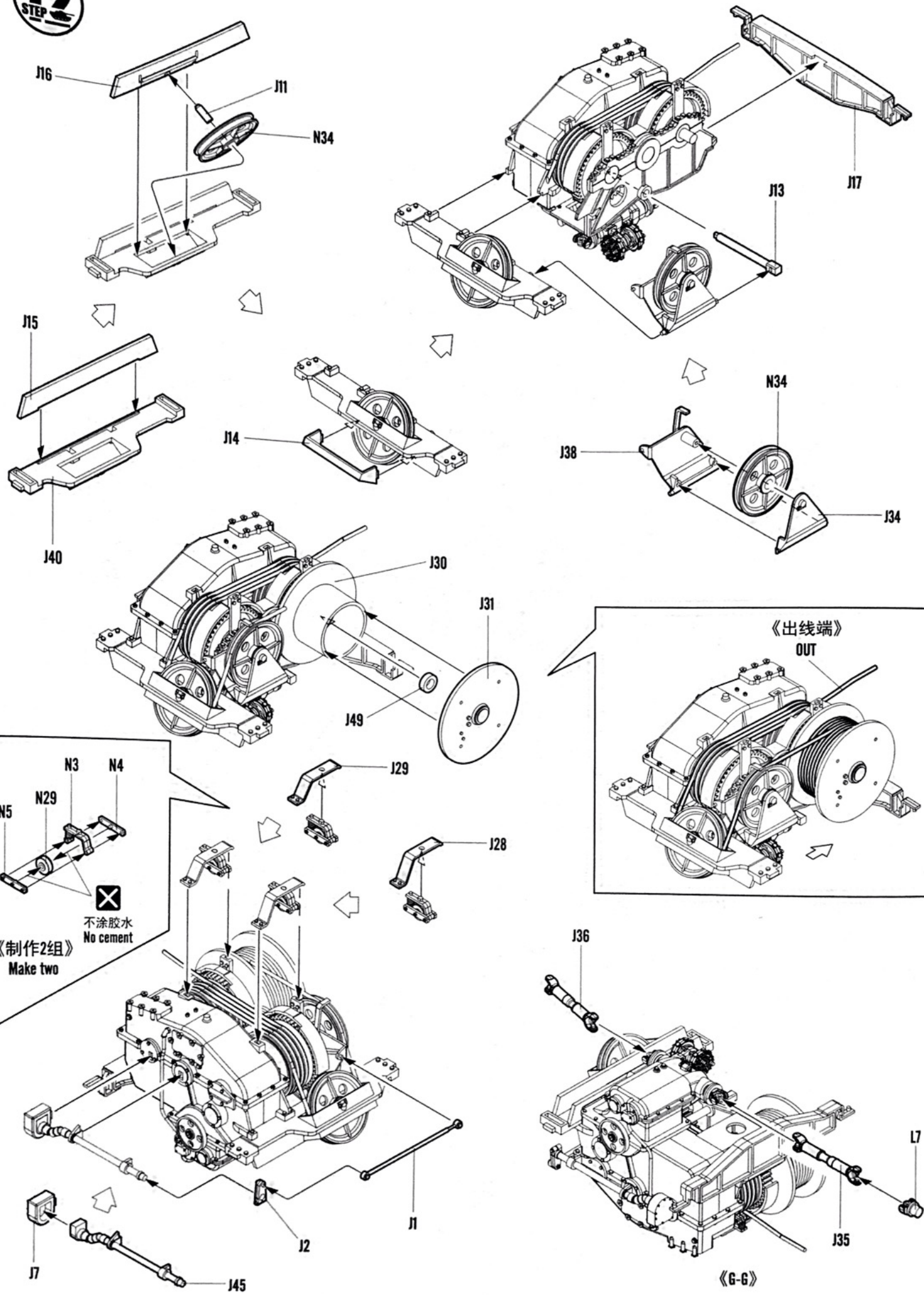


《E-E》

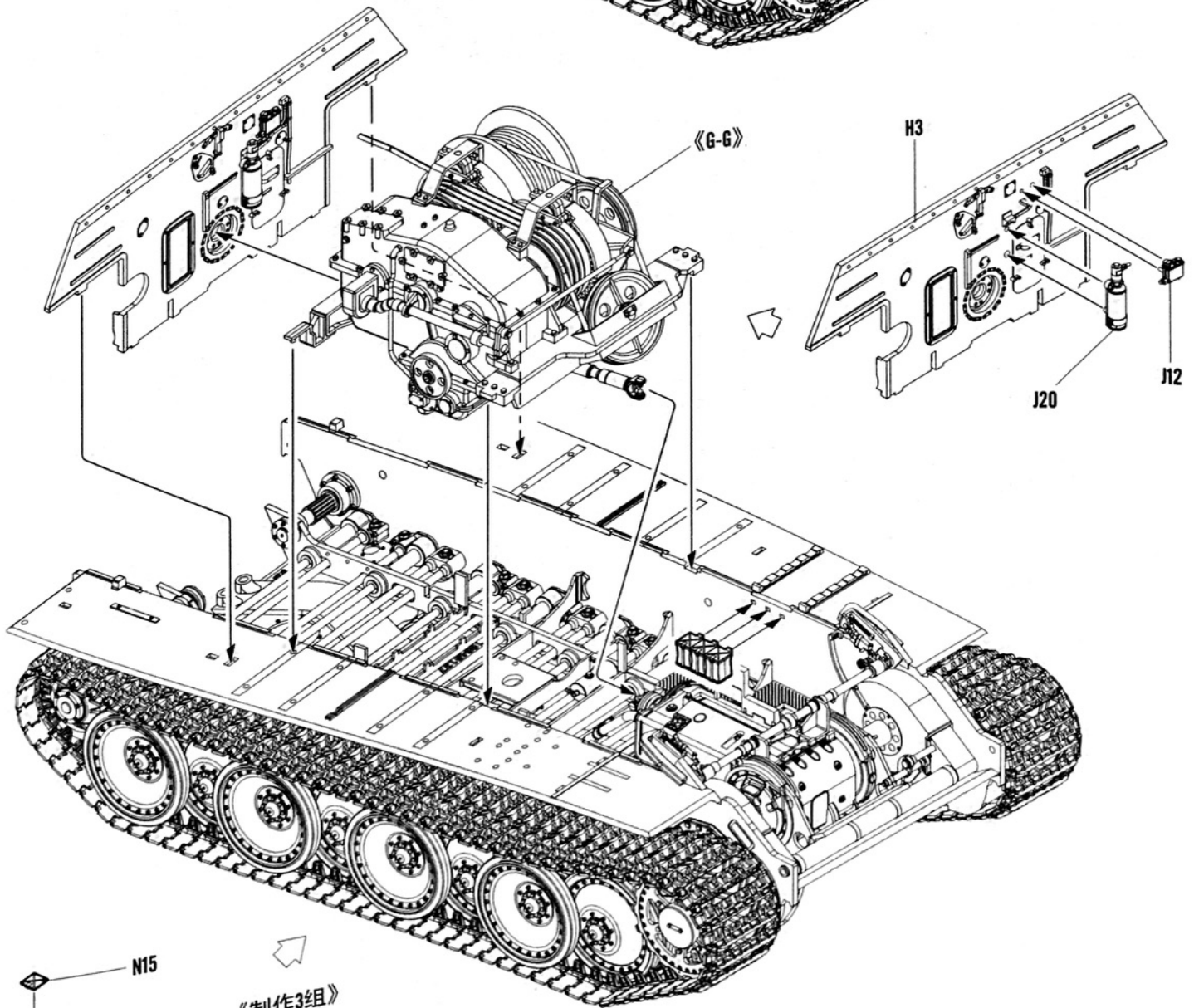
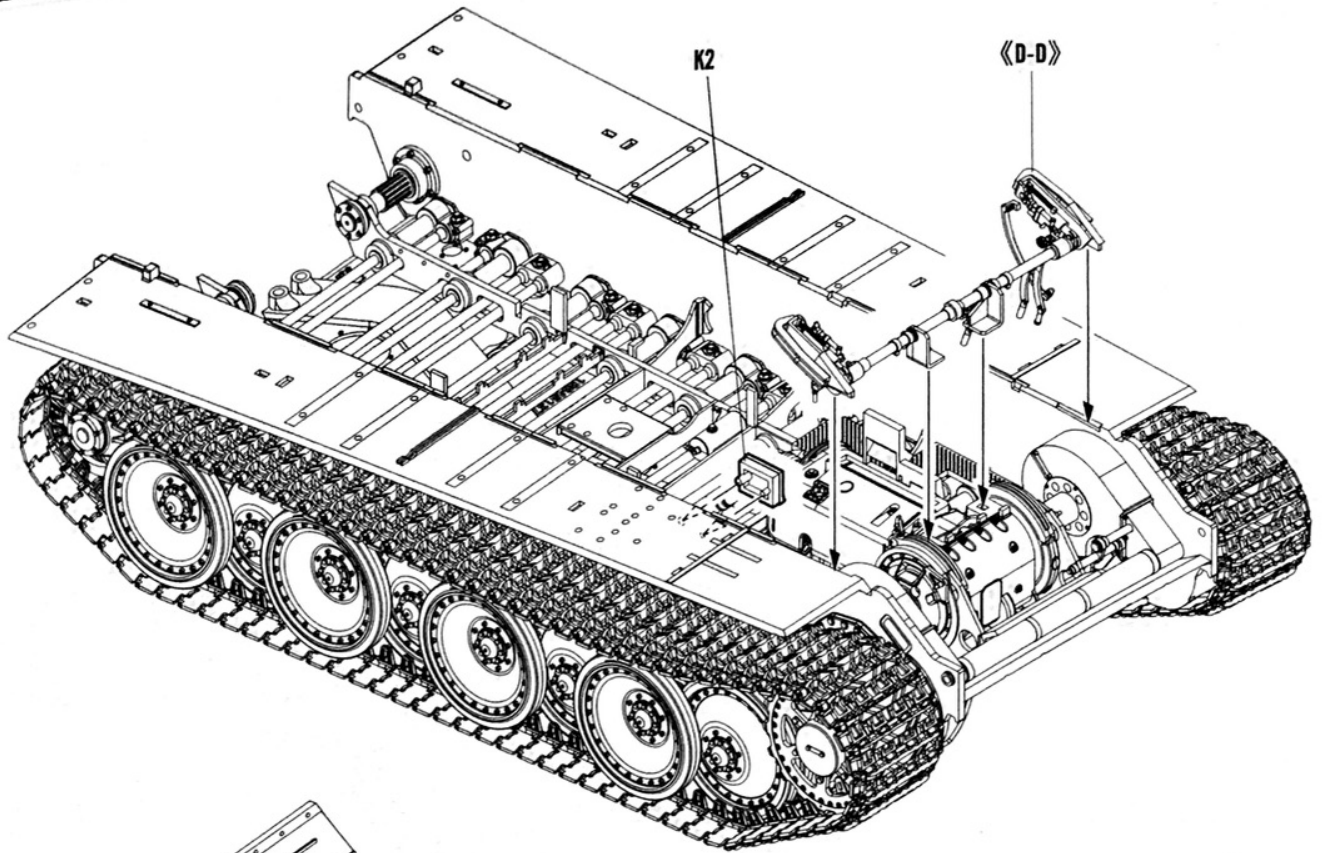


《F-F》





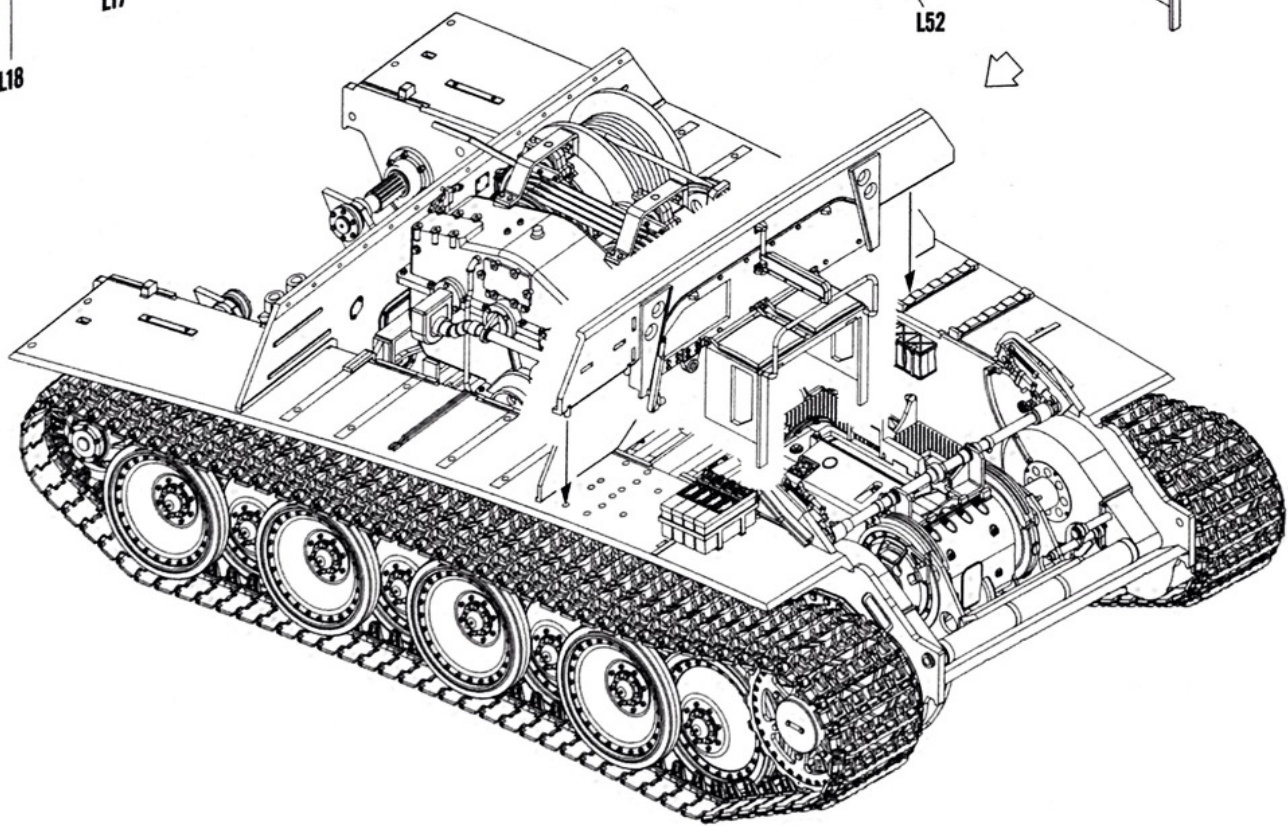
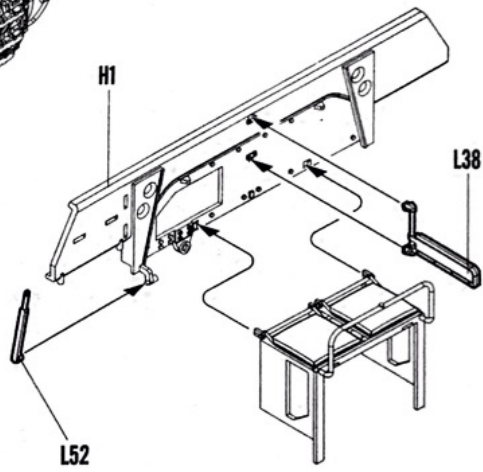
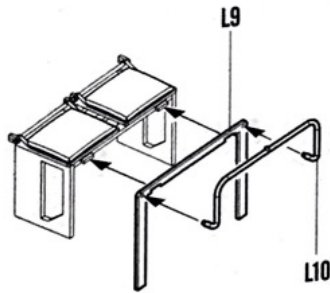
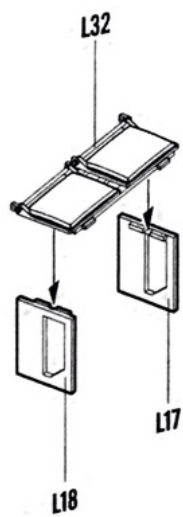
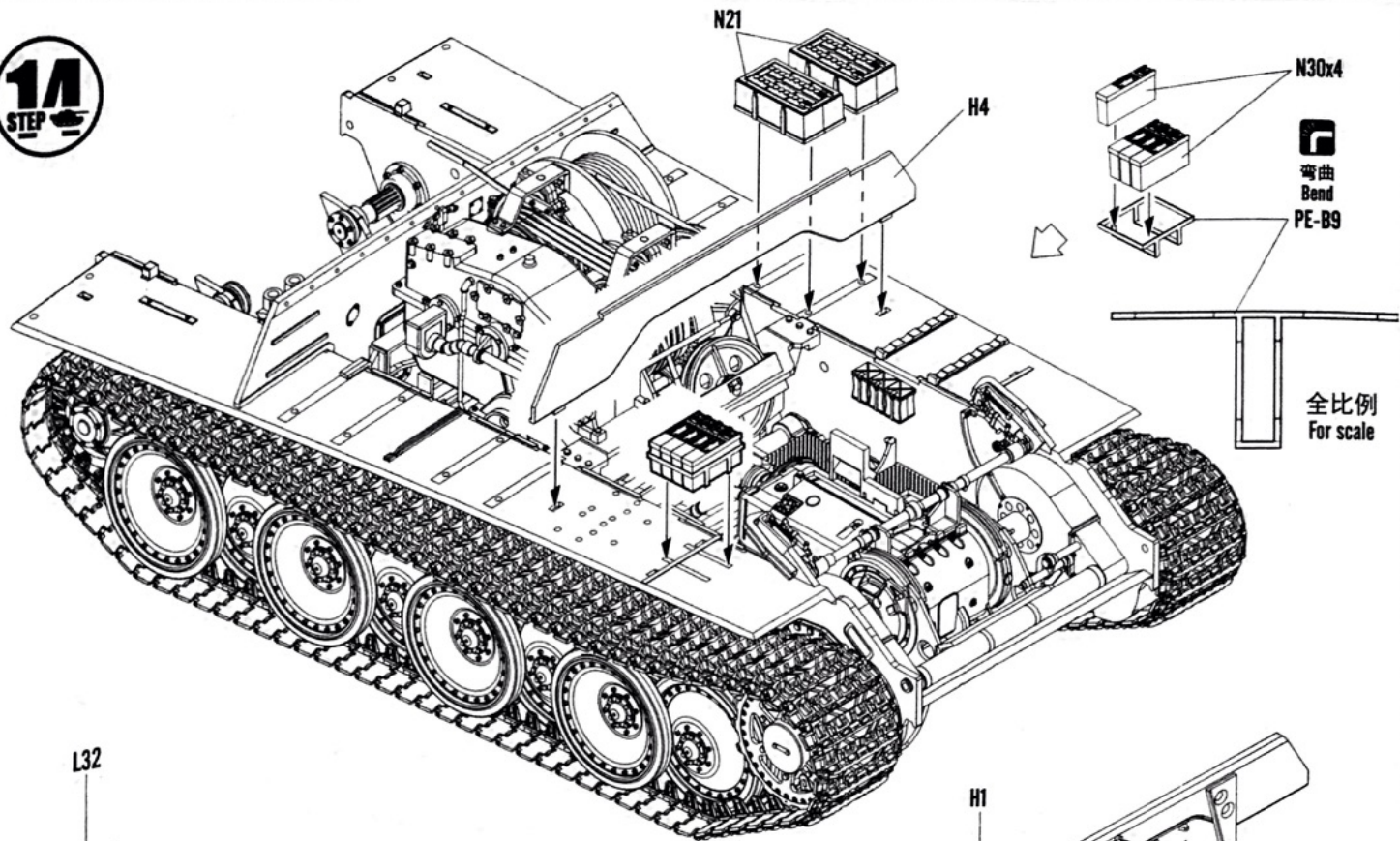
13
STEP



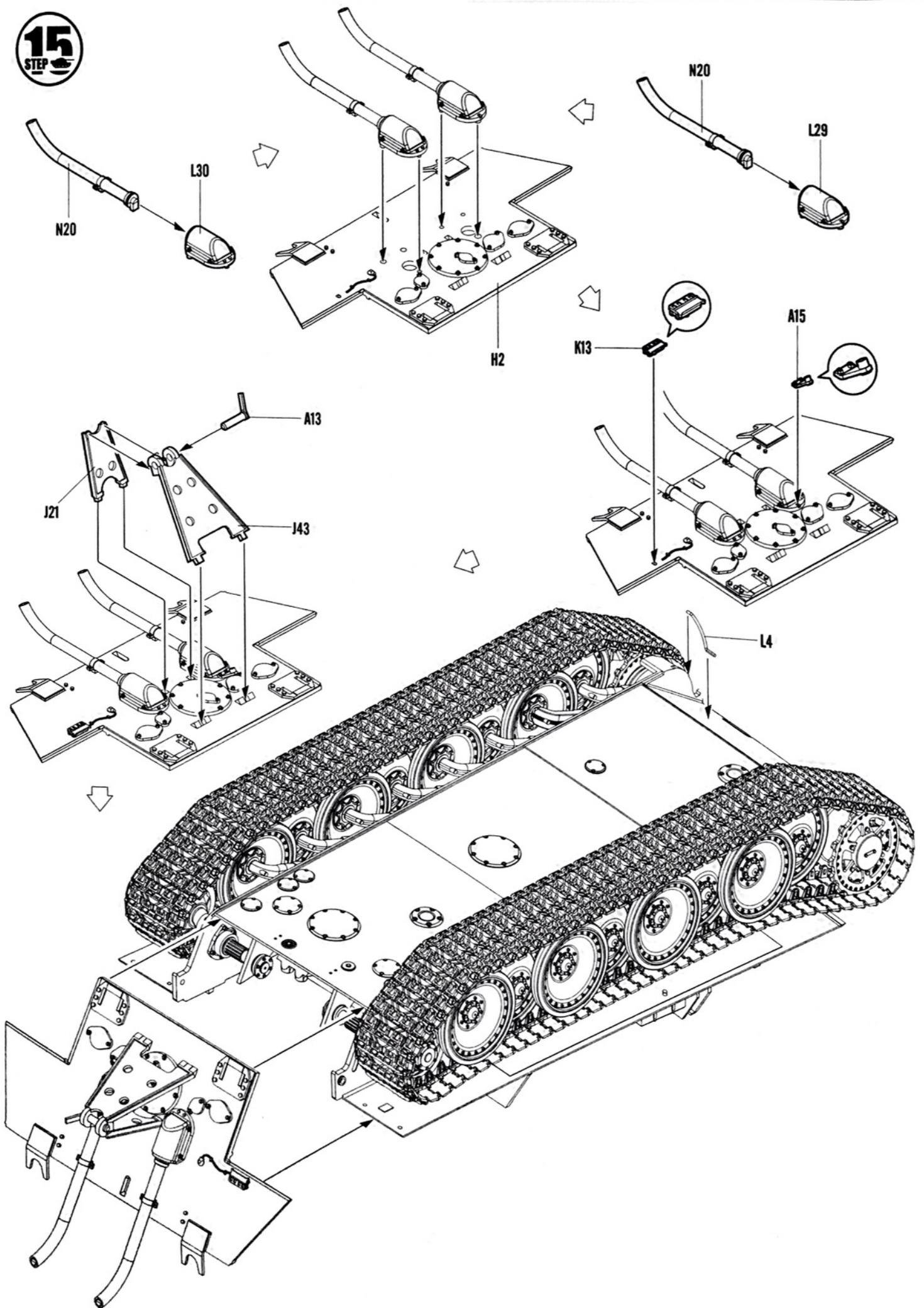
- N15
- N28

《制作3组》
Make three

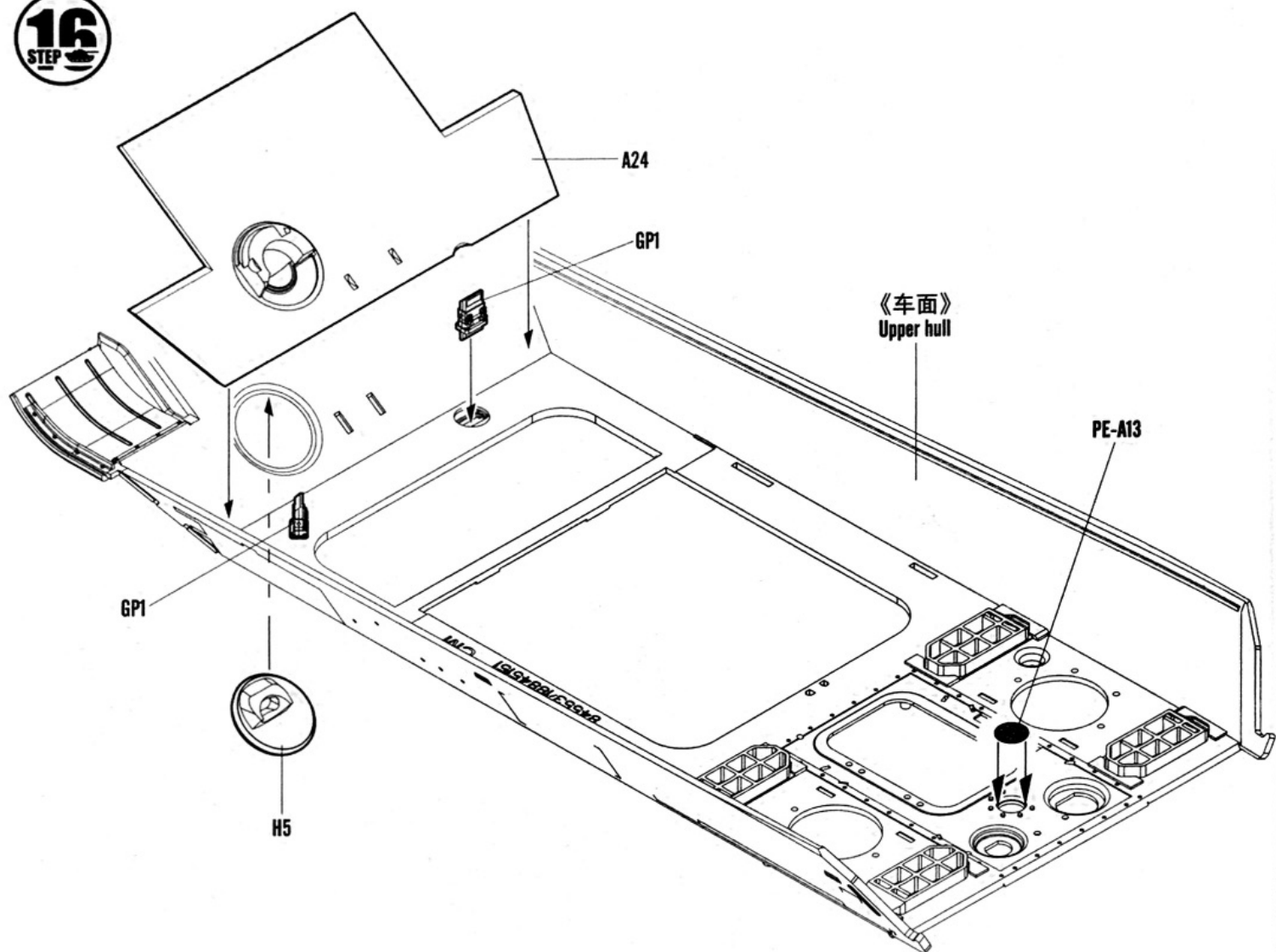
1
STEP



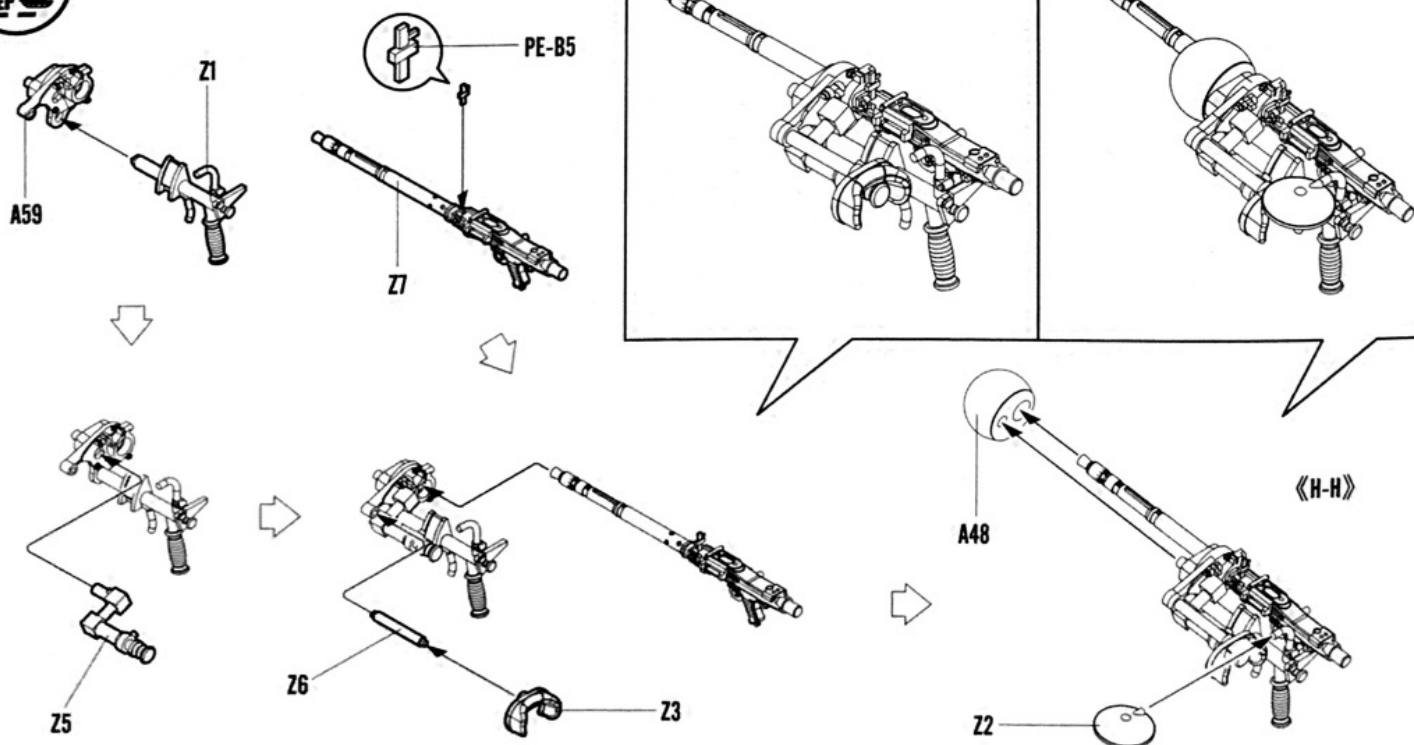
15
STEP



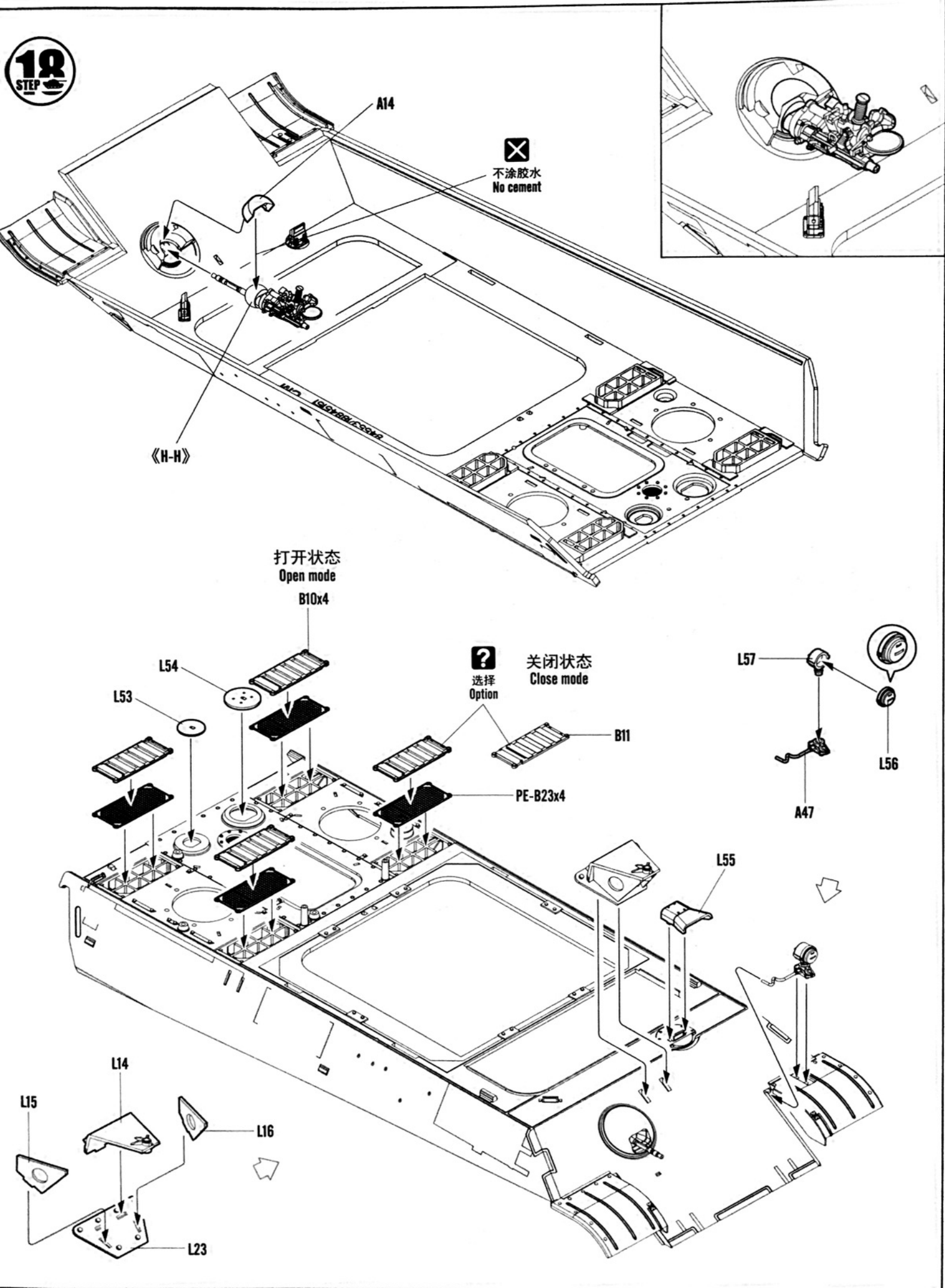
16
STEP



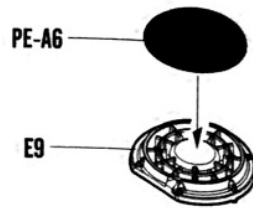
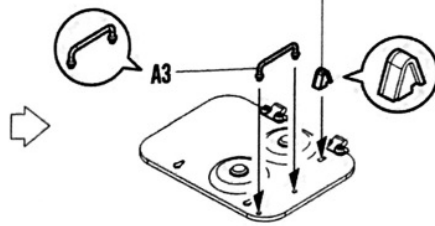
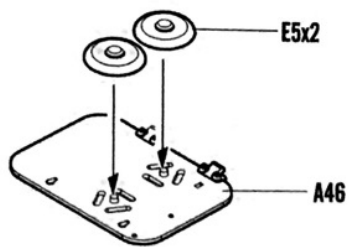
17
STEP



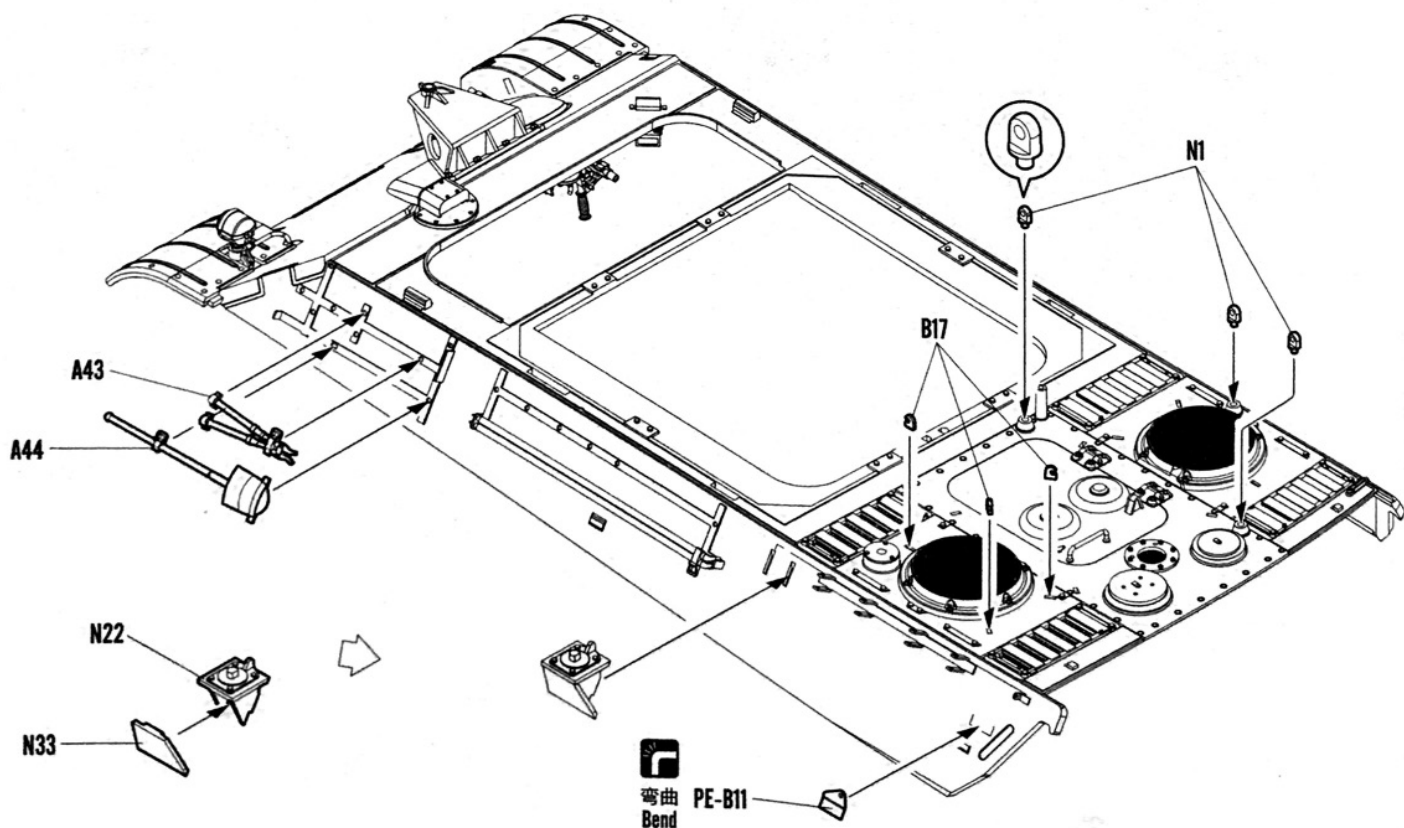
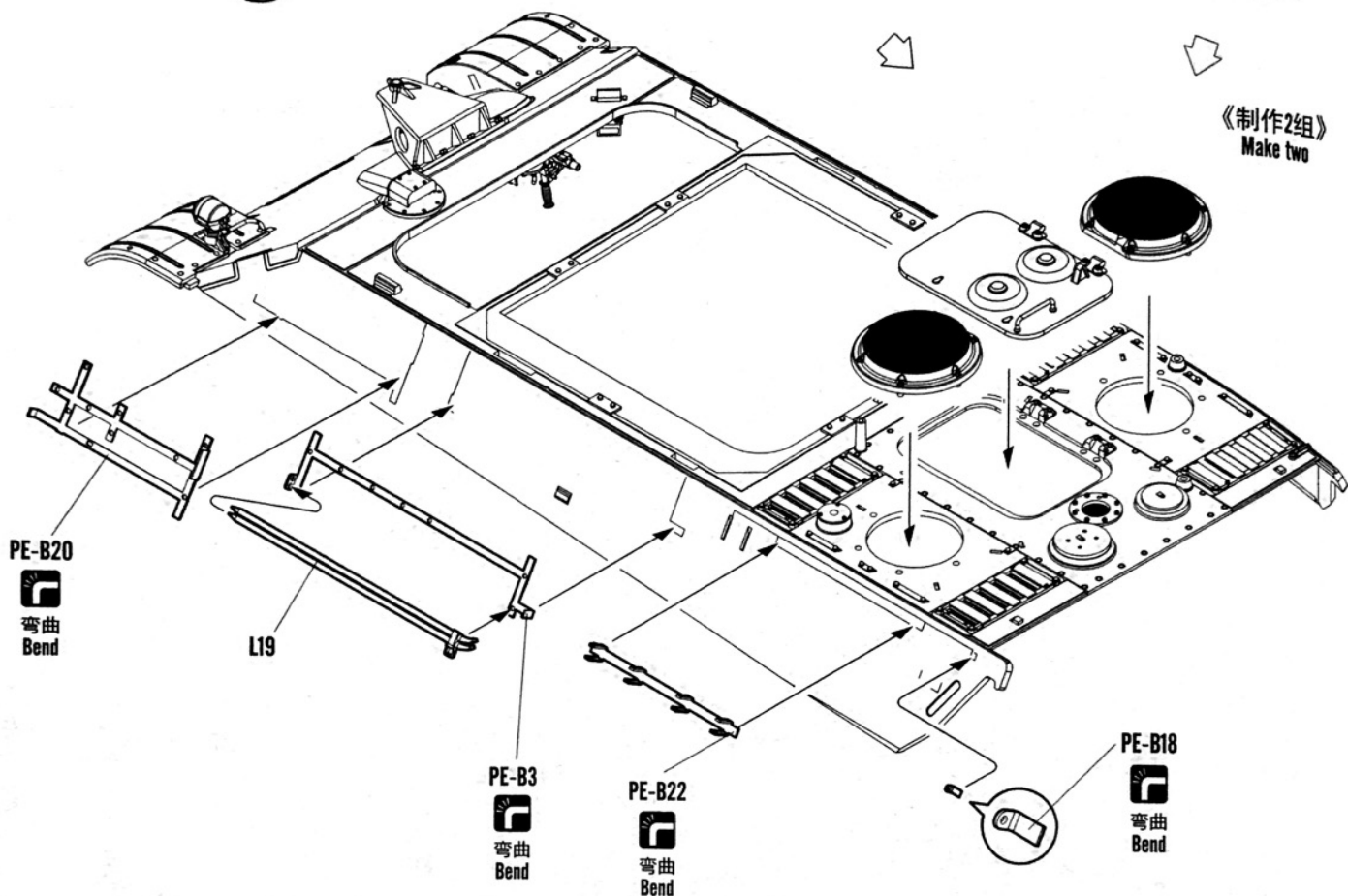
18
STEP



10
STEP

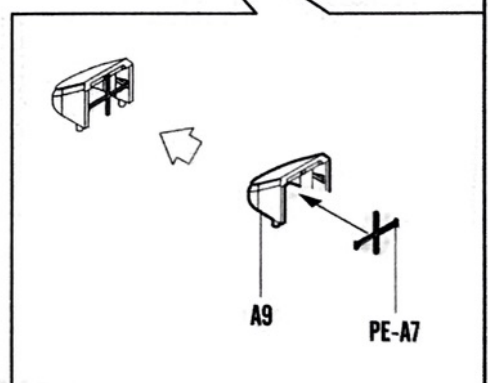
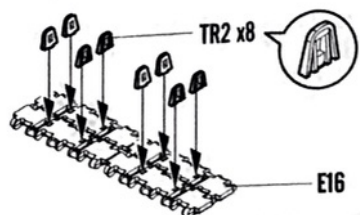
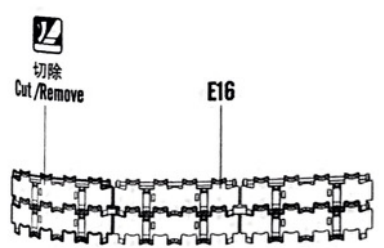
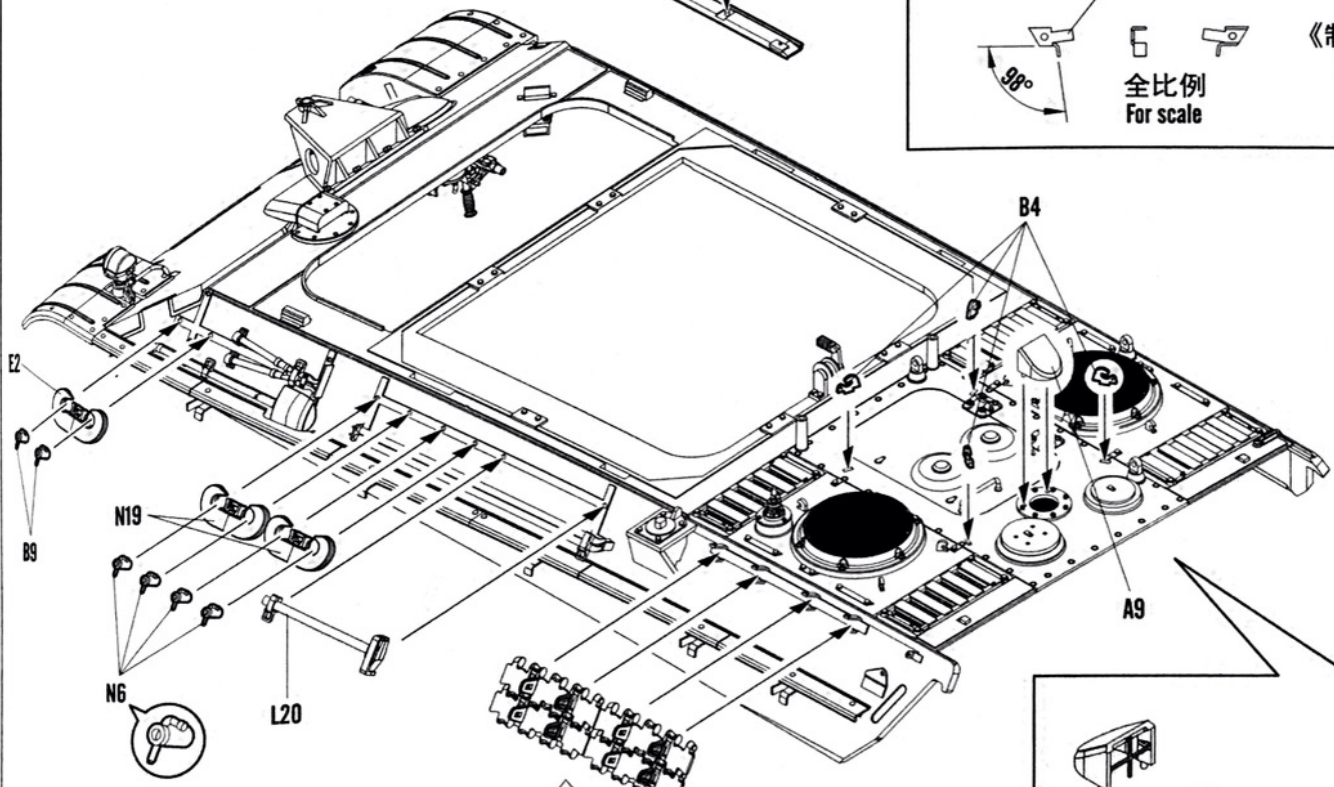
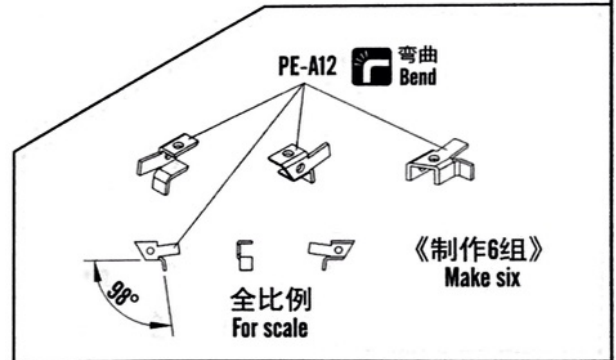
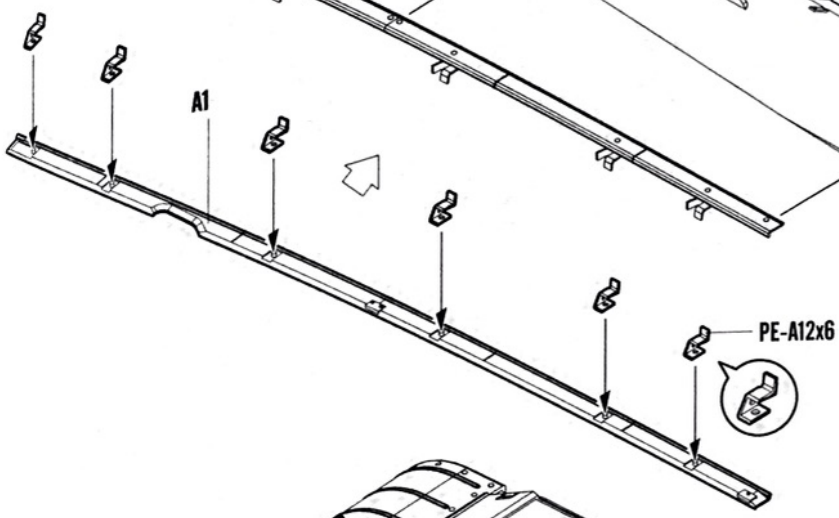
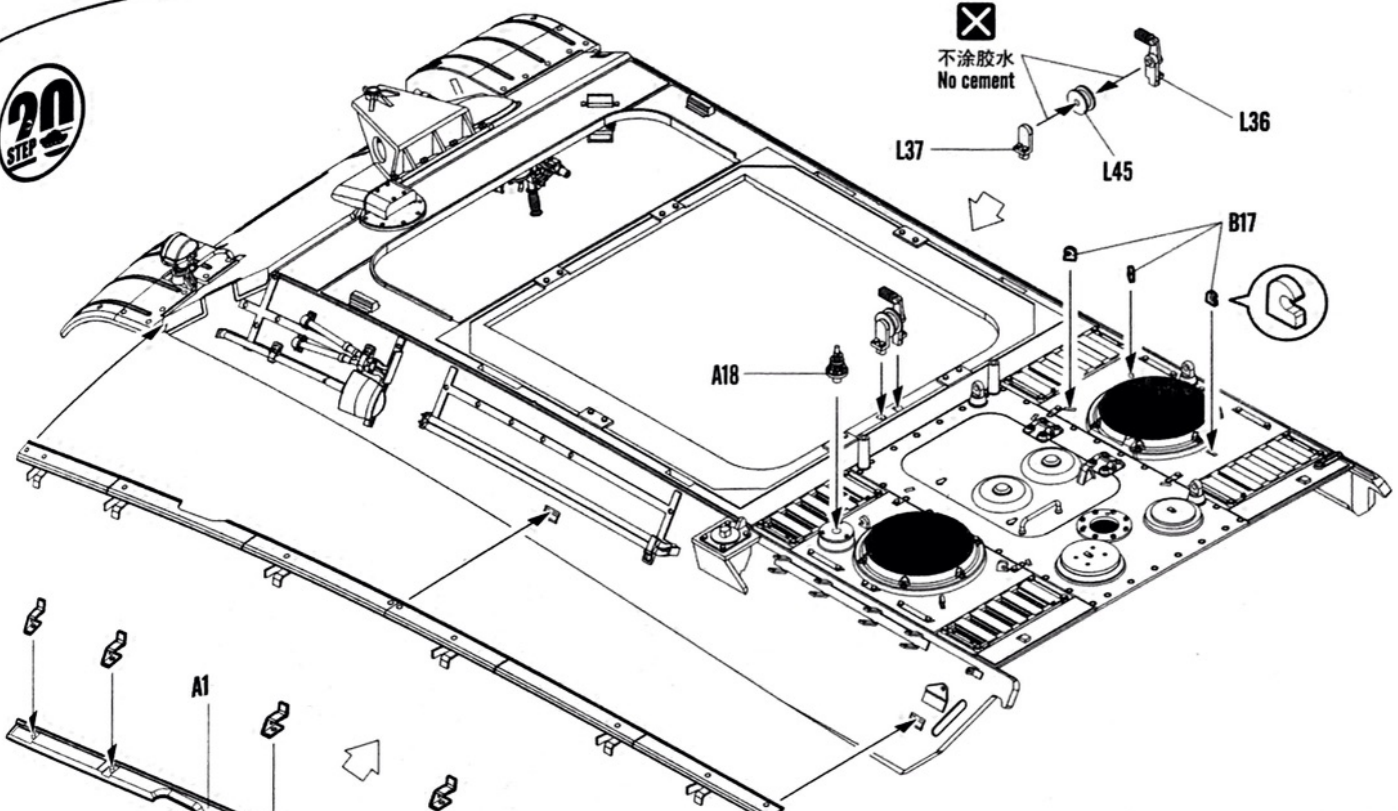


《制作2组》
Make two

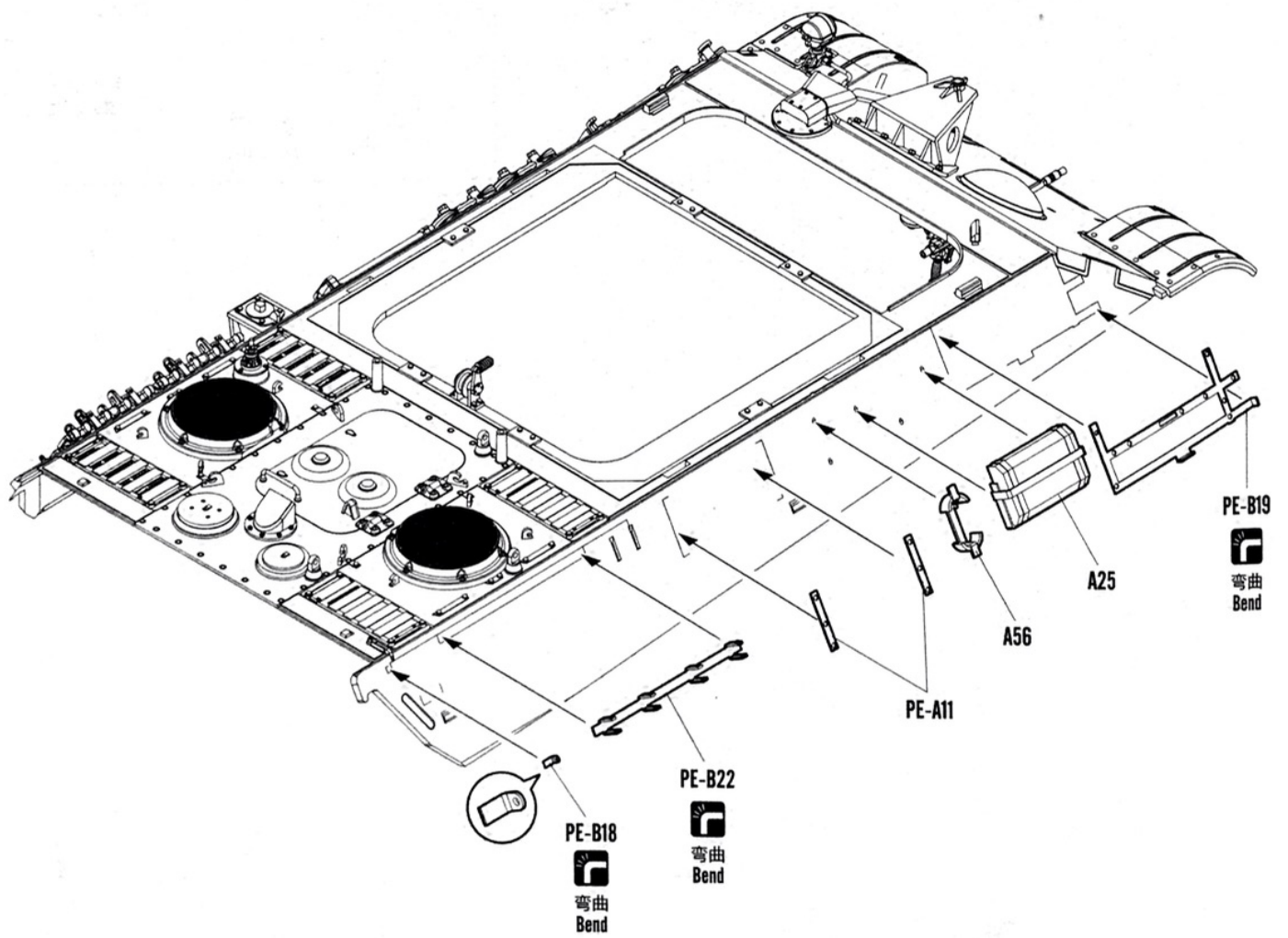
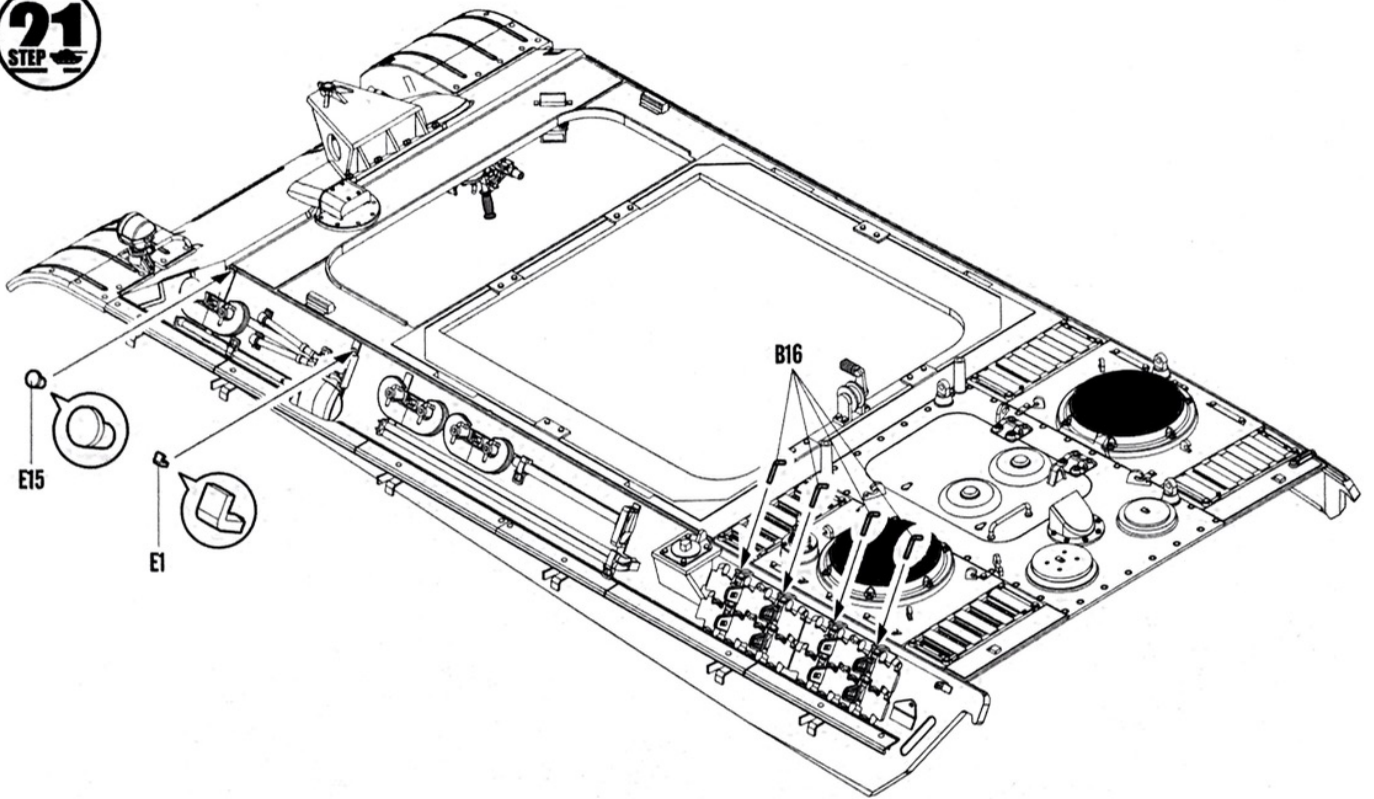


20
STEP

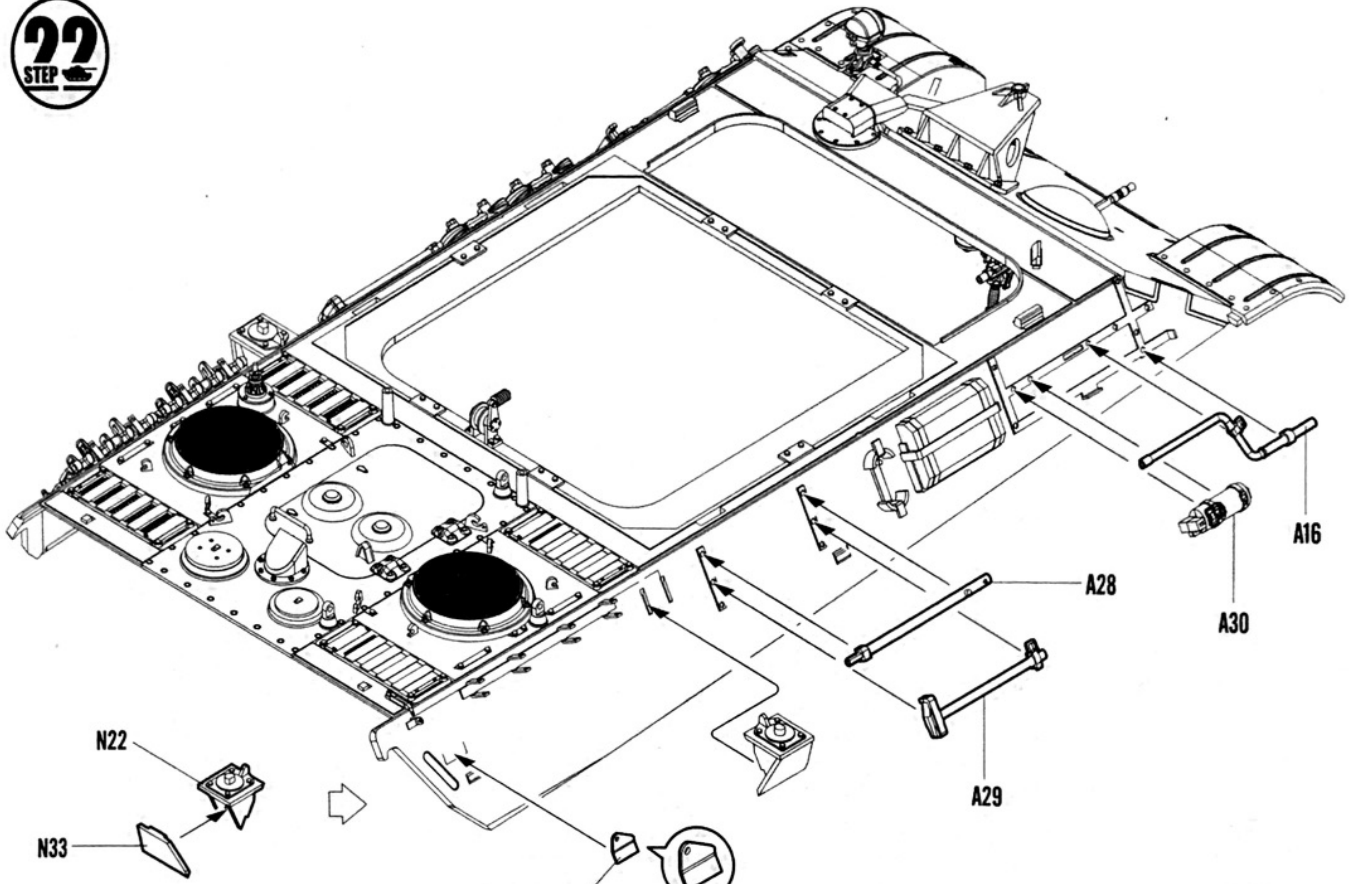
不涂胶水
No cement



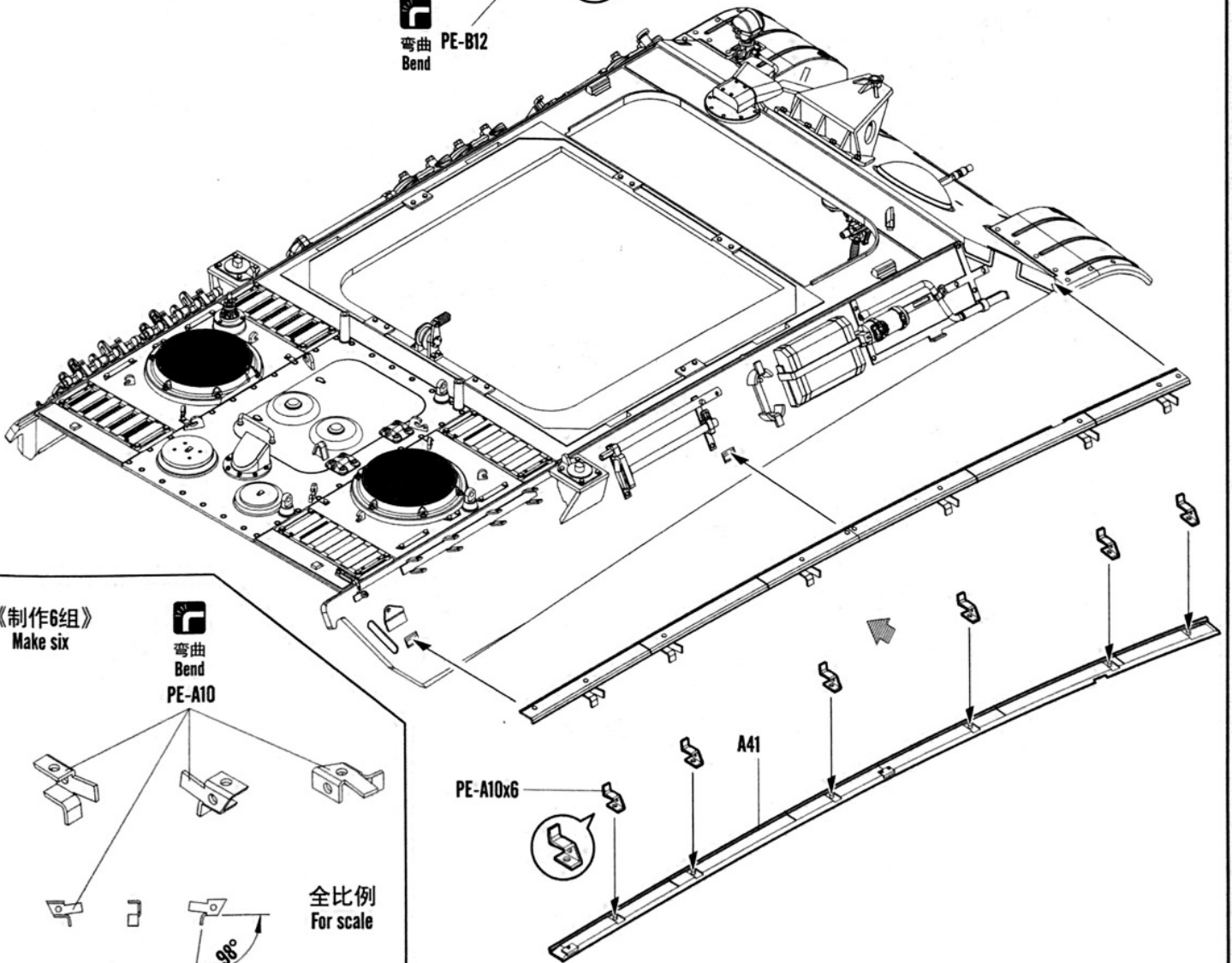
21
STEP



22
STEP

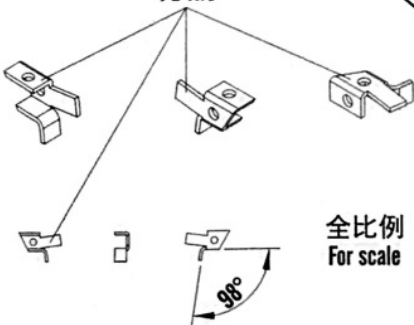


 弯曲 PE-B12
Bend

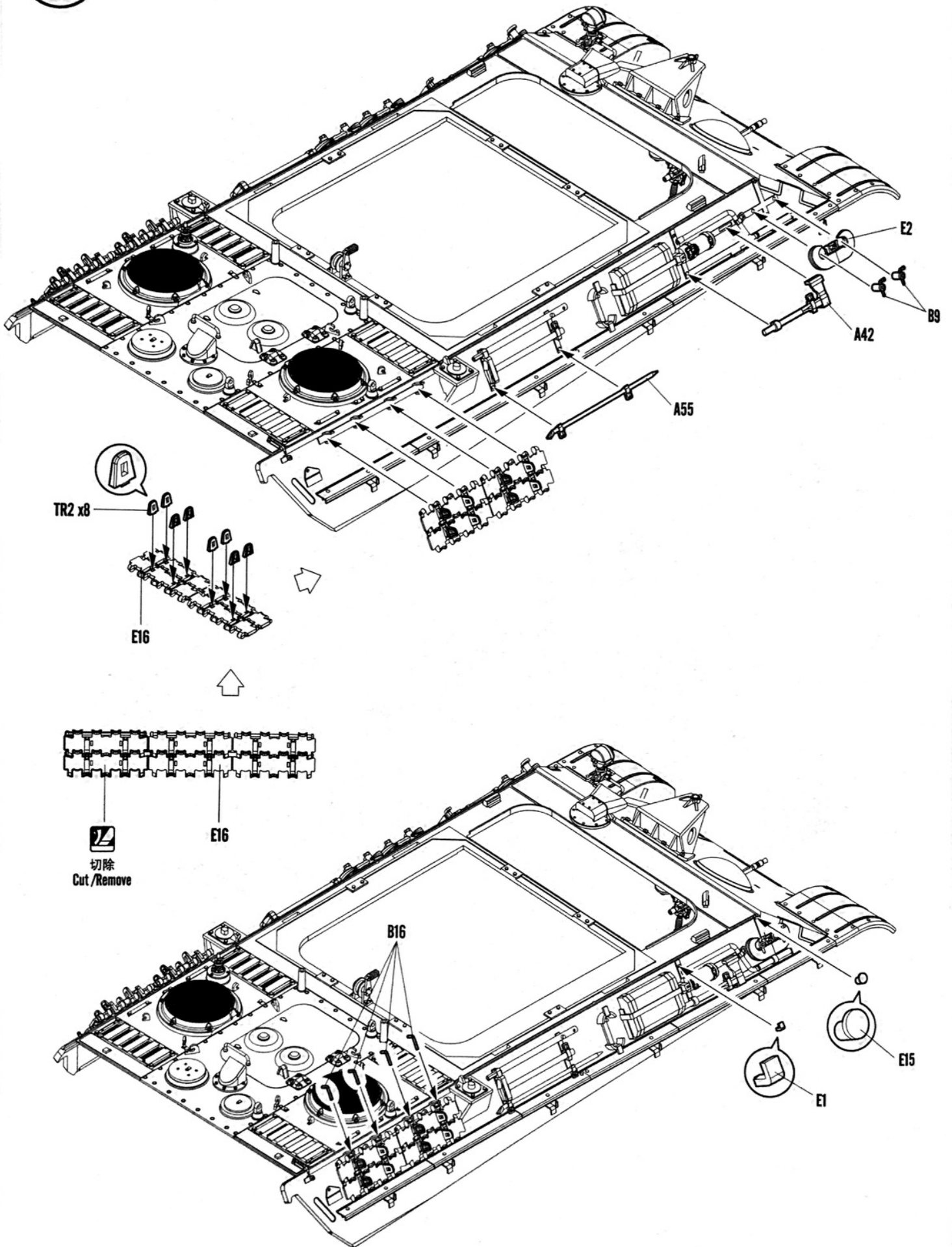


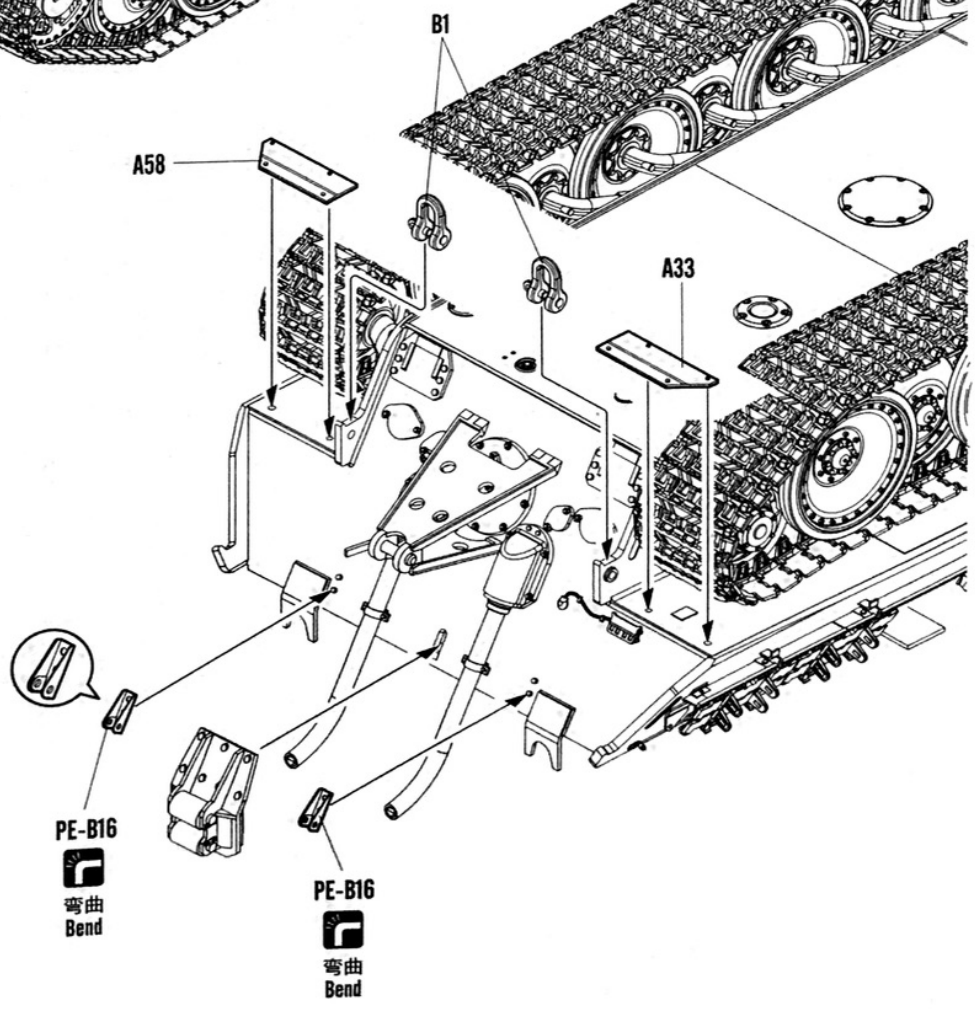
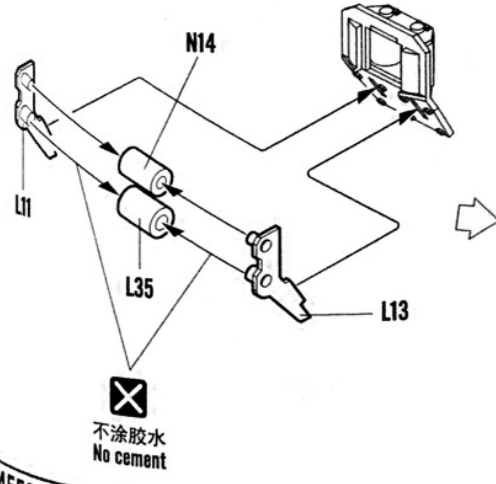
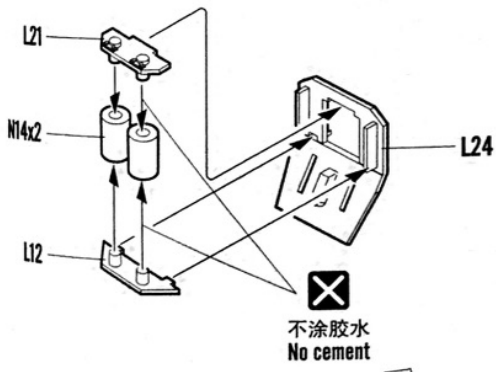
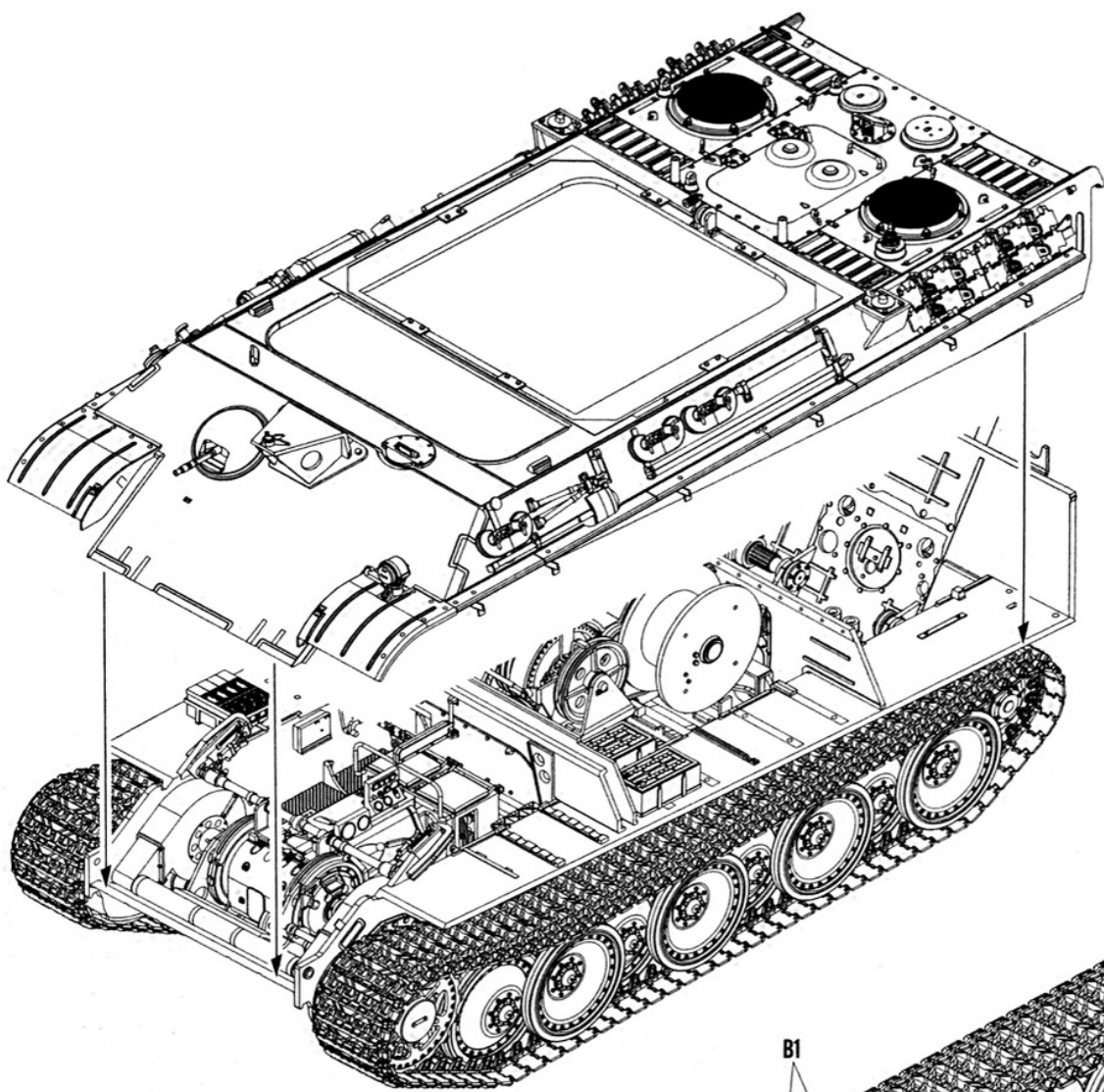
《制作6组》
Make six

 弯曲
Bend
PE-A10



全比例
For scale





25
STEP

不涂胶水
No cement

N26

K20

K19

N2

K18

L25

不涂胶水
No cement

L28

K16

N2

K15

N26

K21

K3

N12

N13

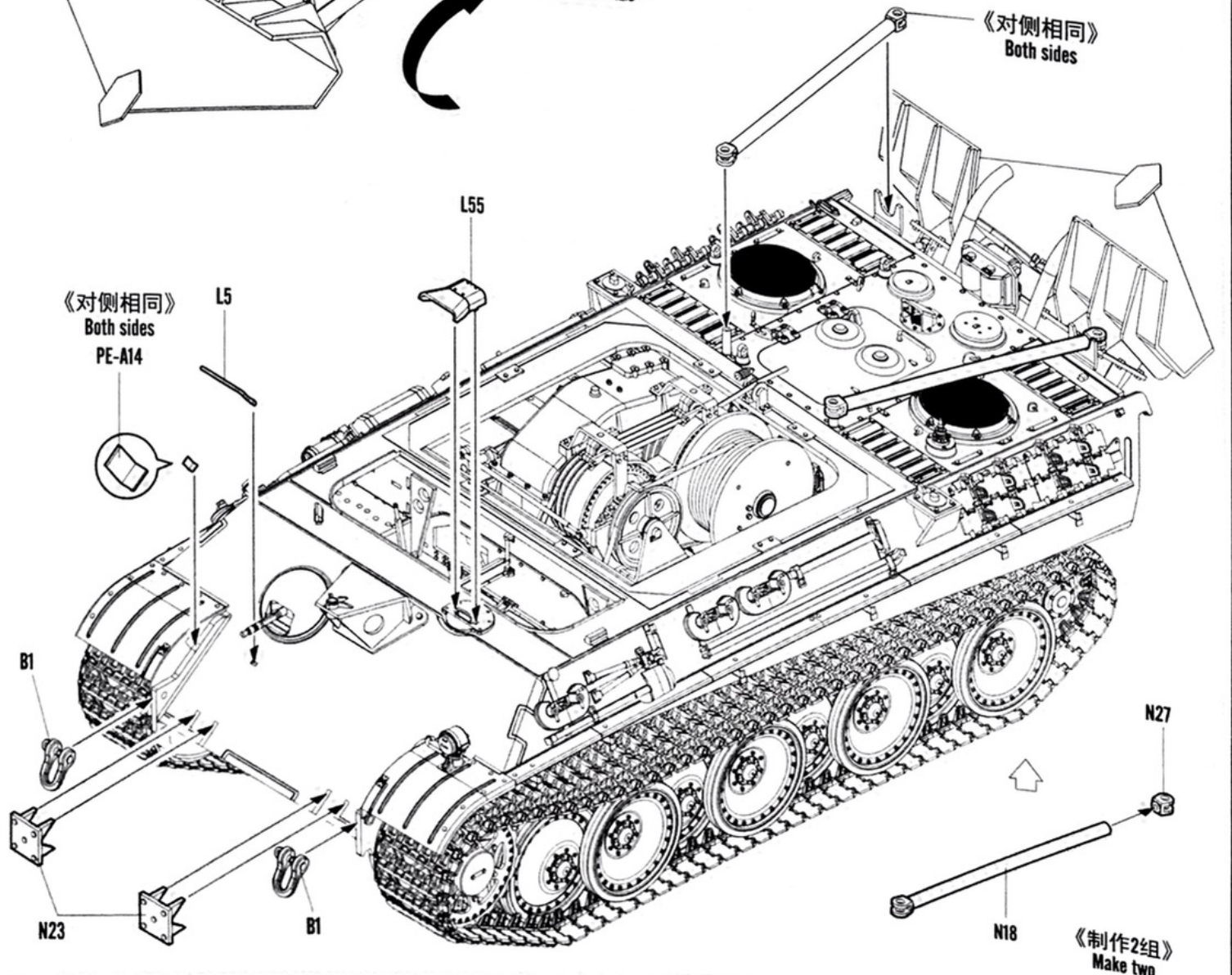
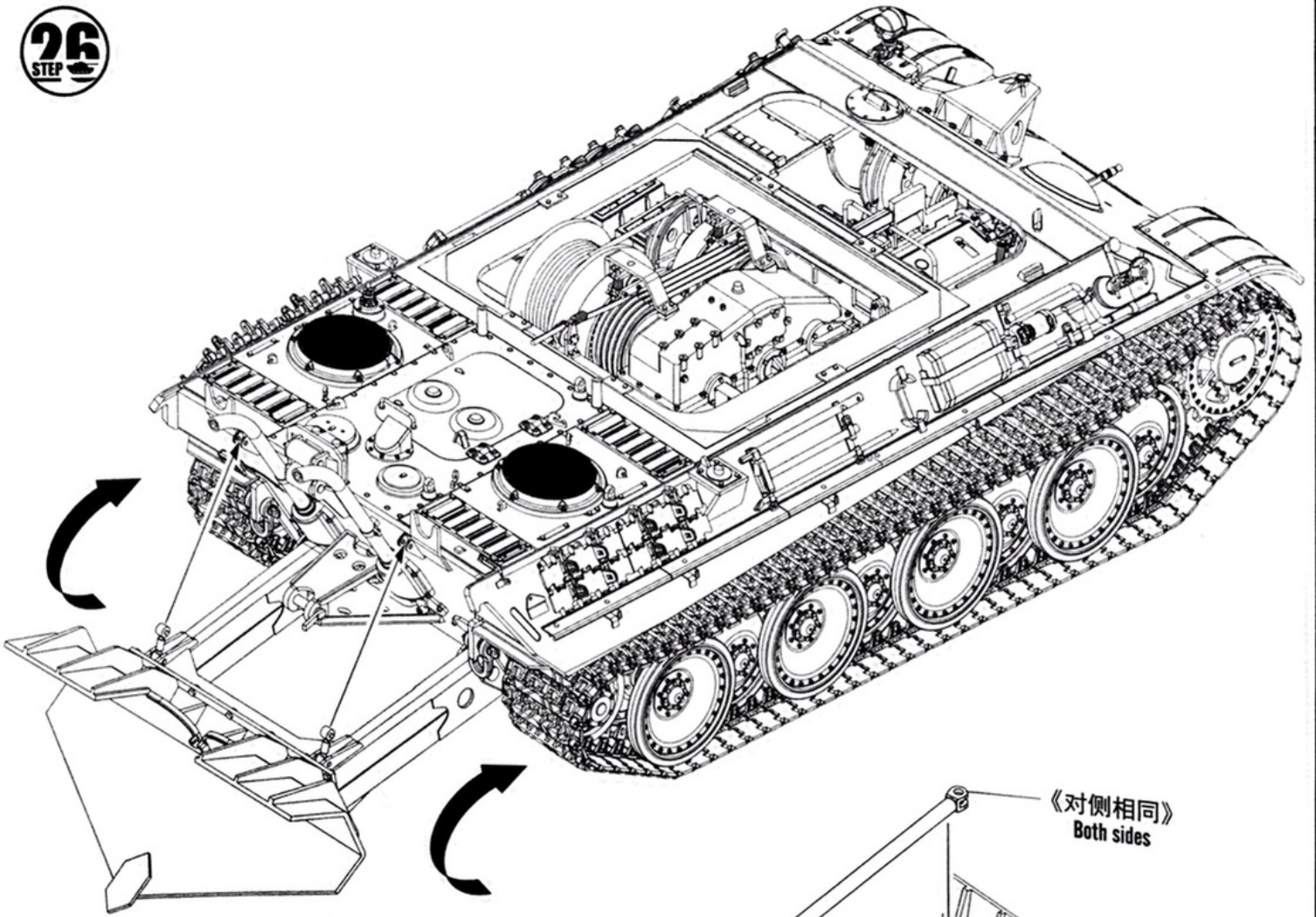
N16

不涂胶水
No cement

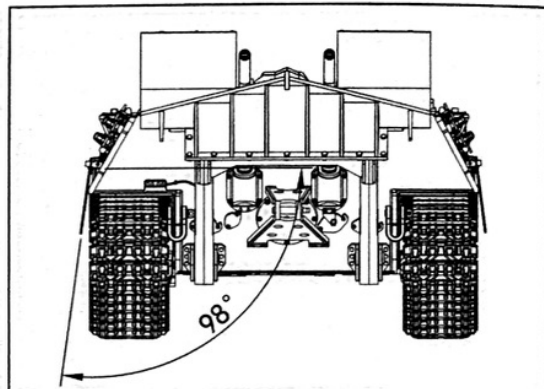
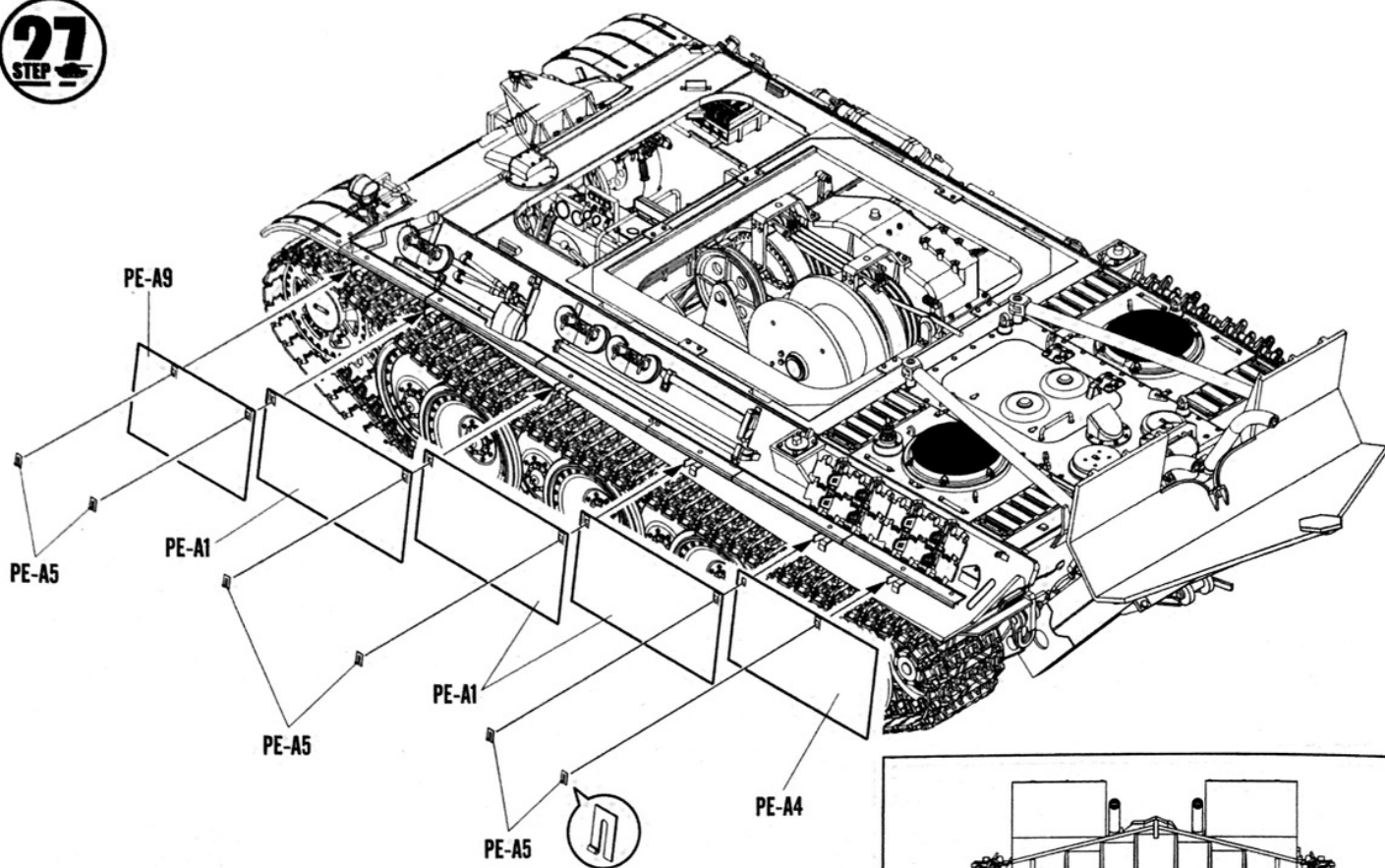
不涂胶水
No cement

N16

N13

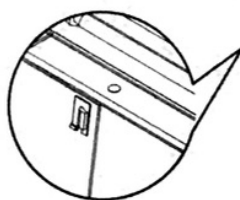
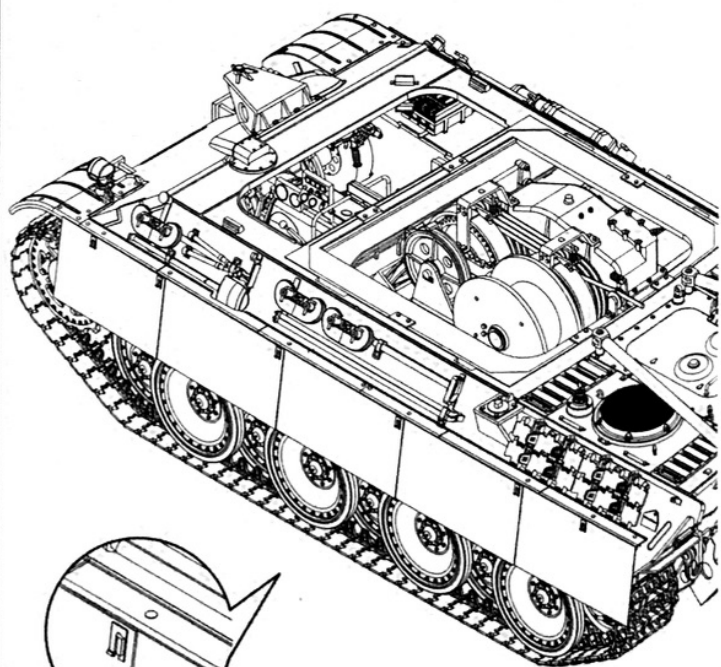
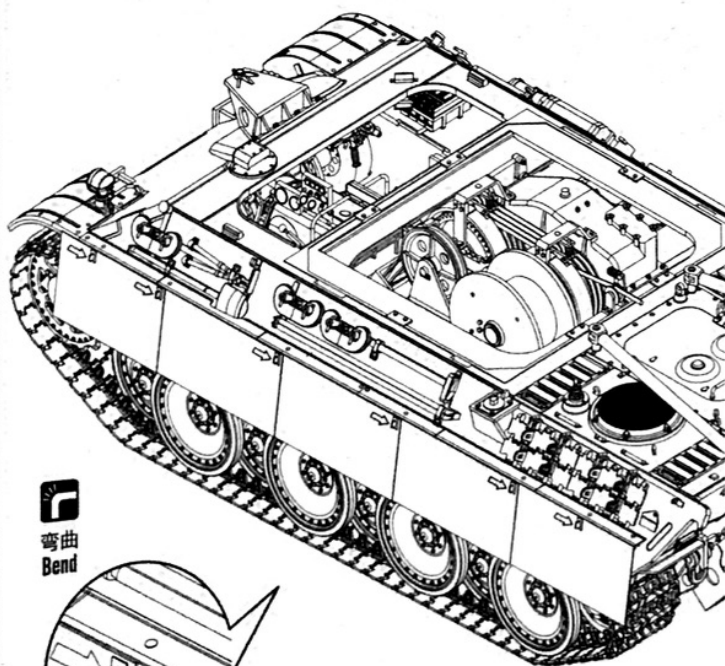


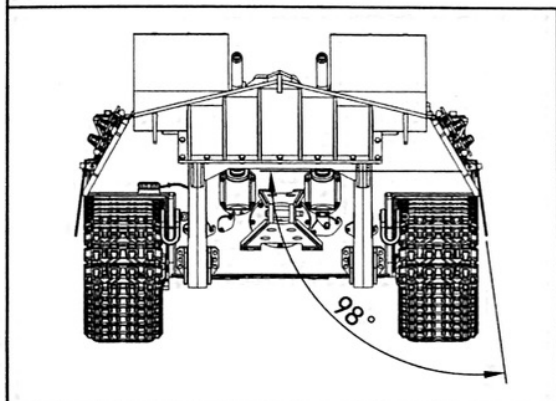
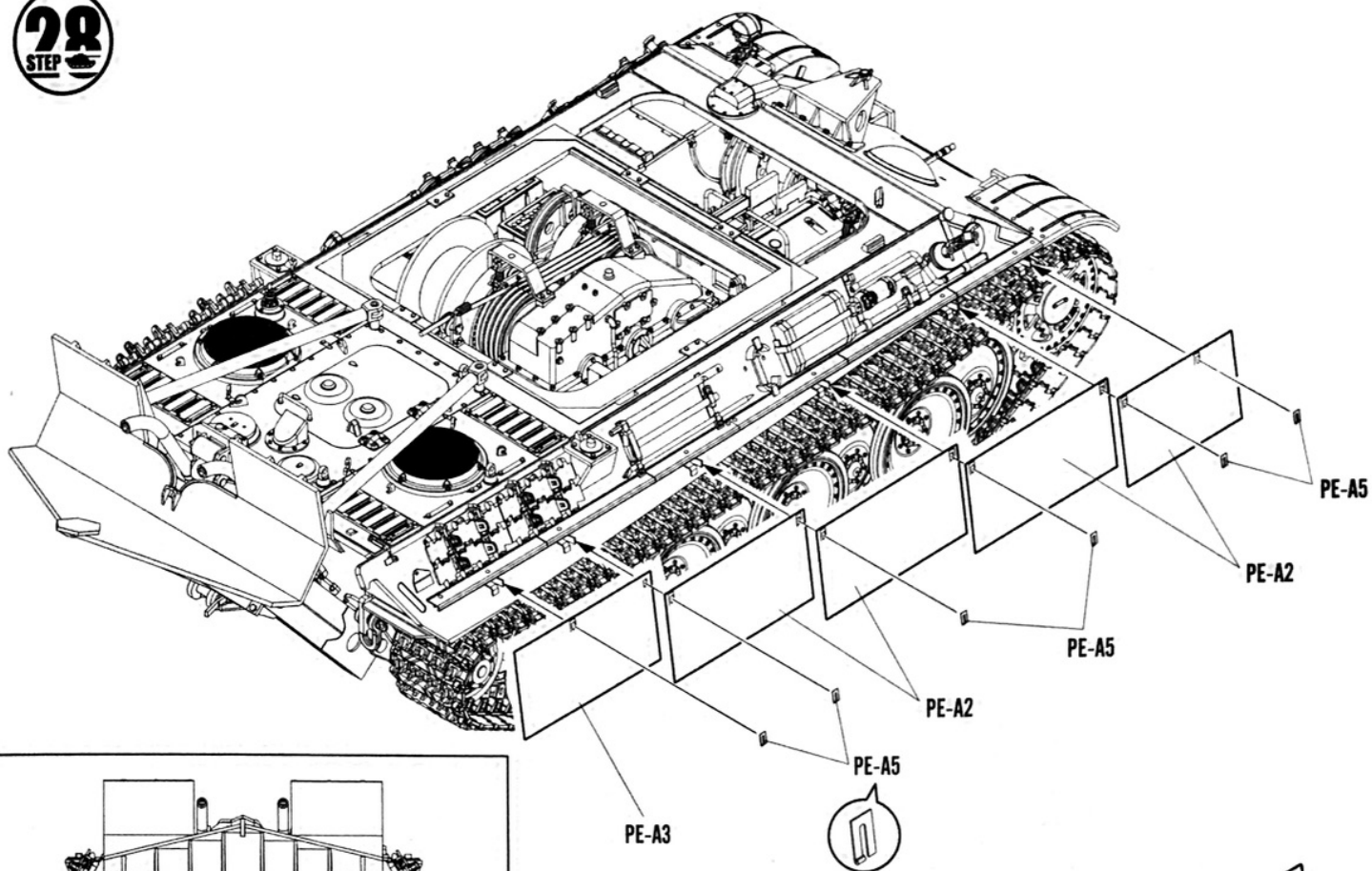
27
STEP



PE-A5
弯曲
Bend
全比例
For scale

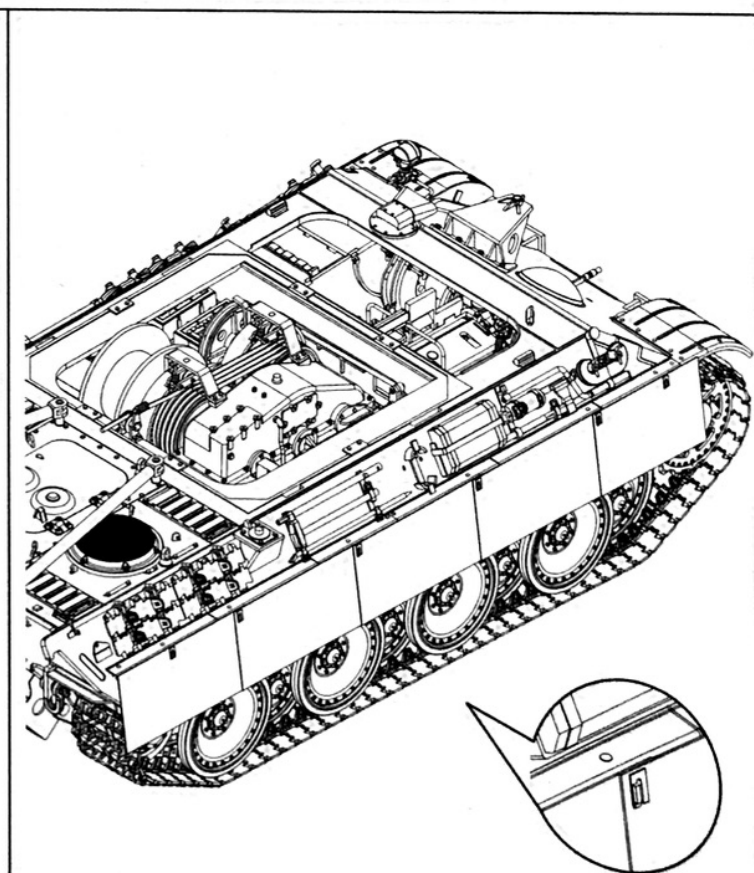
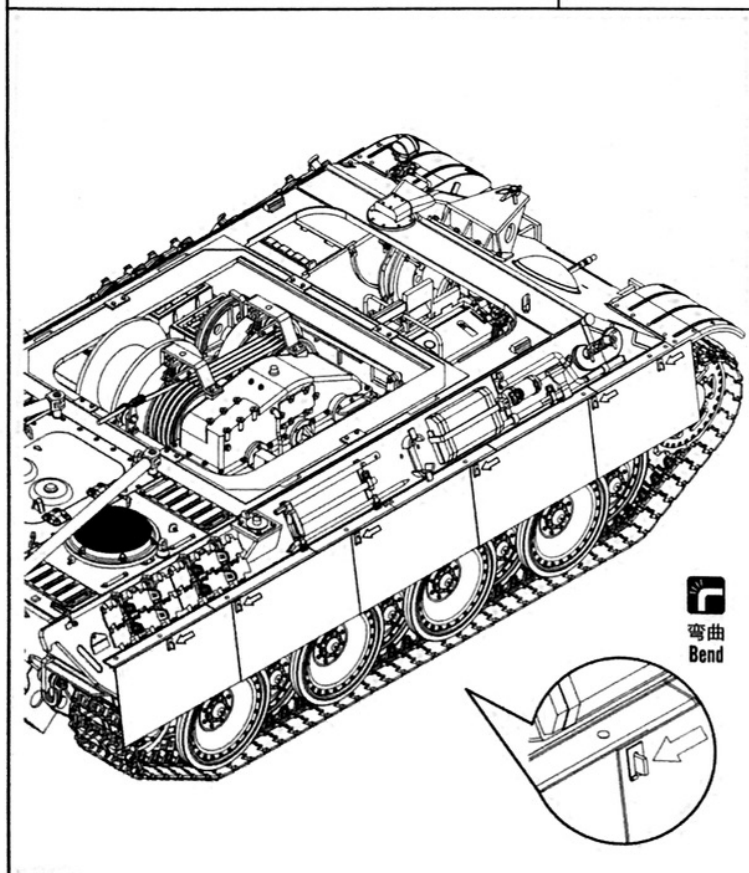
《制作6组》
Make six



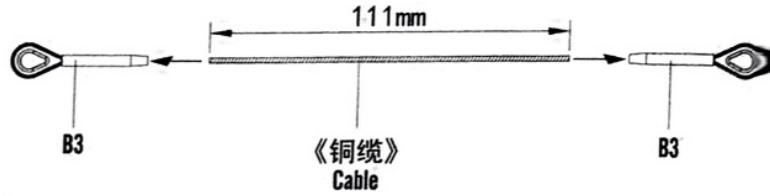


《制作6组》
Make six

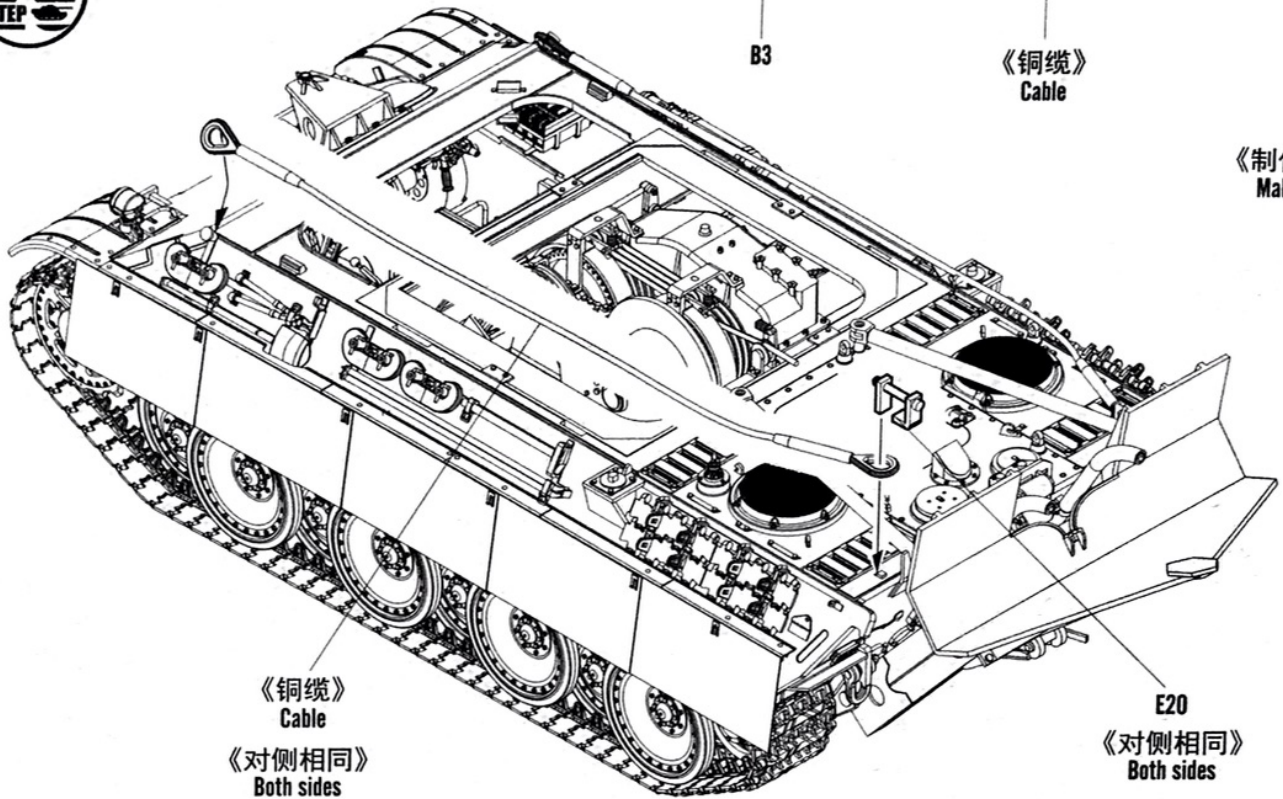
PE-A5
弯曲
Bend
全比例
For scale



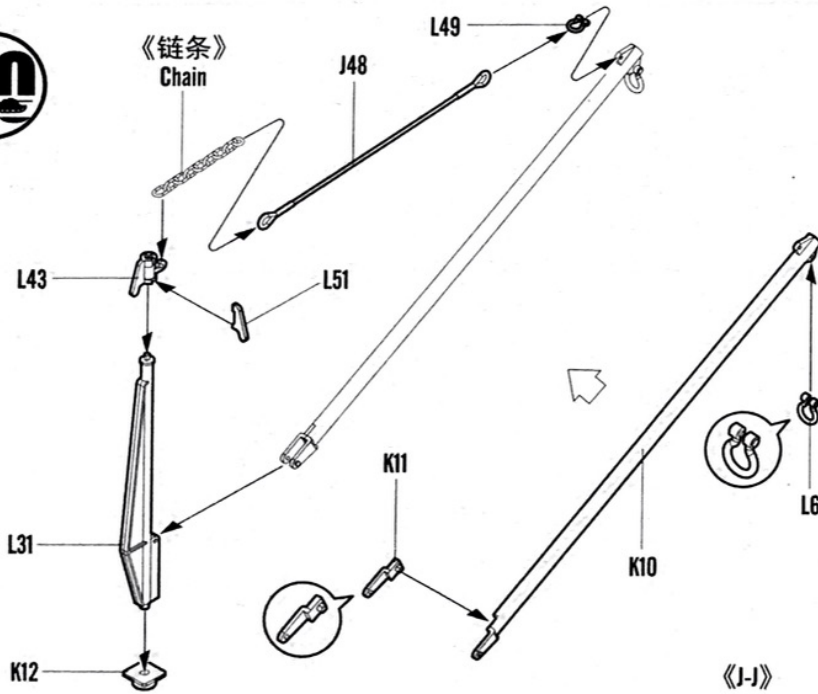
20
STEP



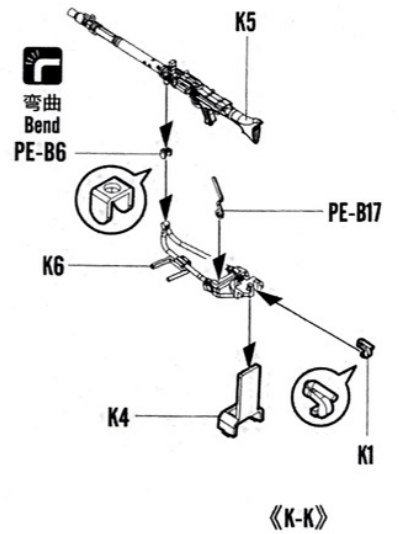
《制作2组》
Make two



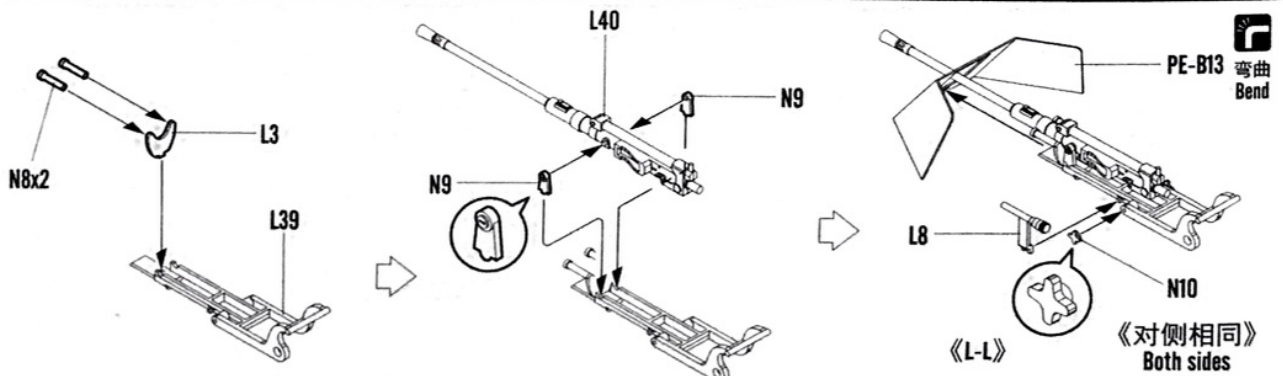
30
STEP



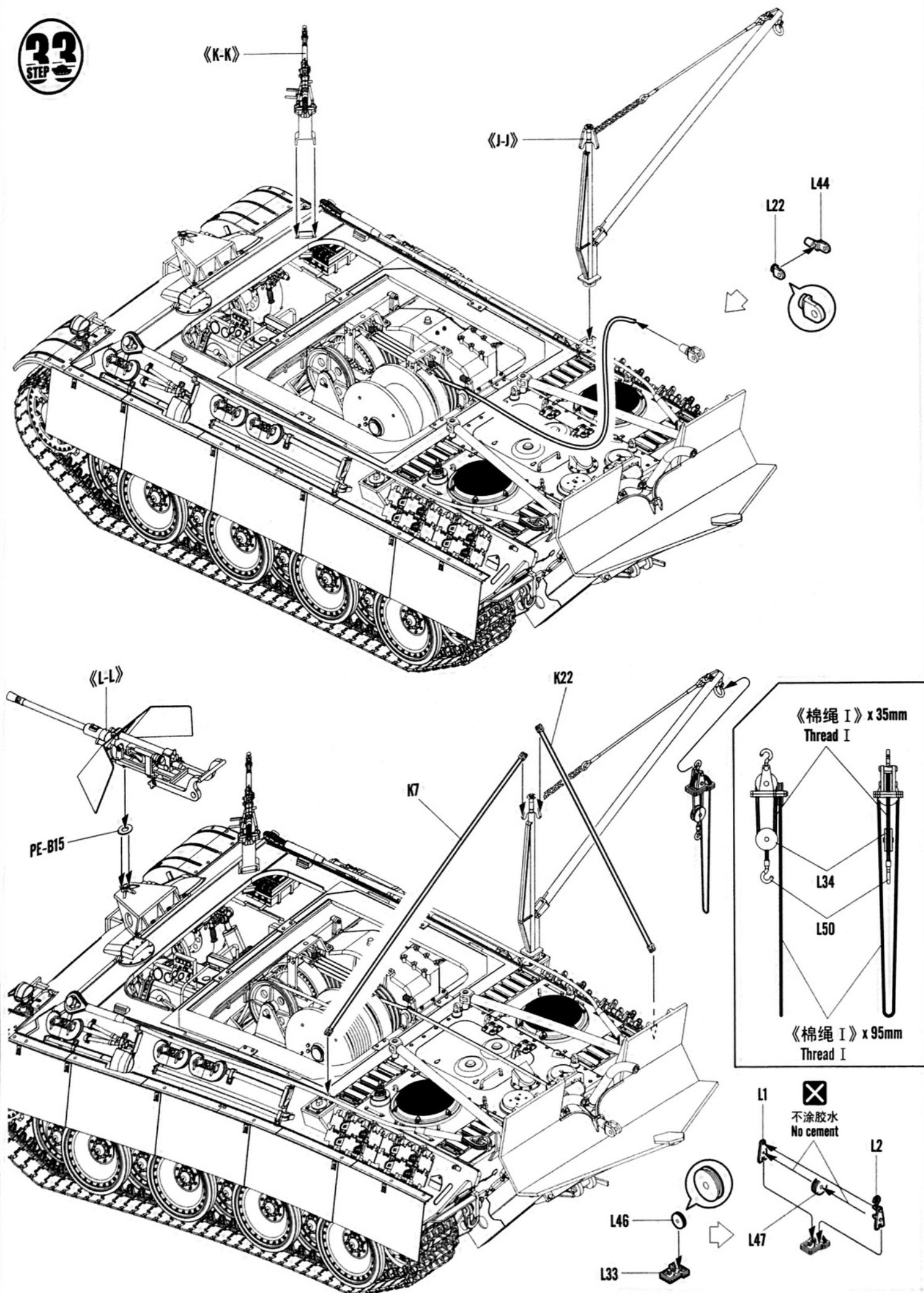
31
STEP

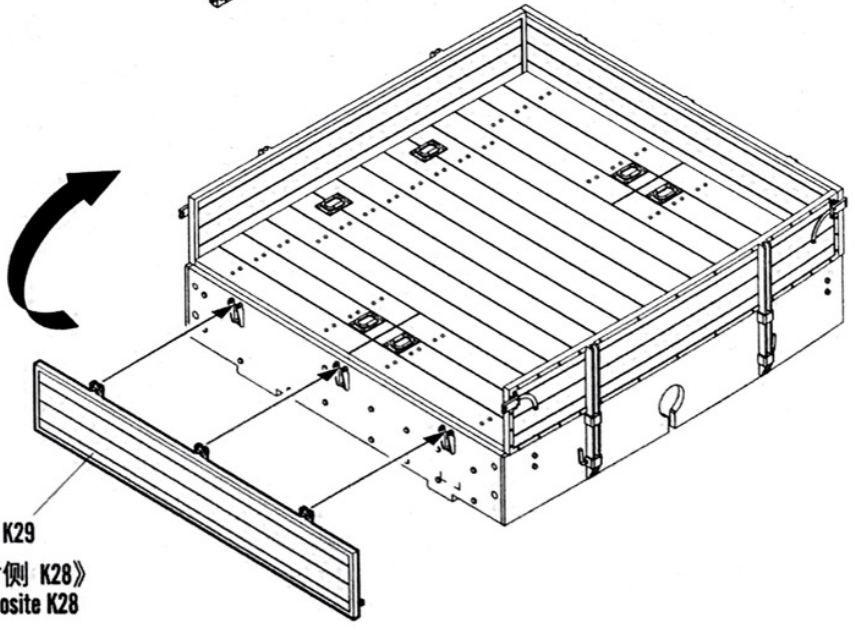
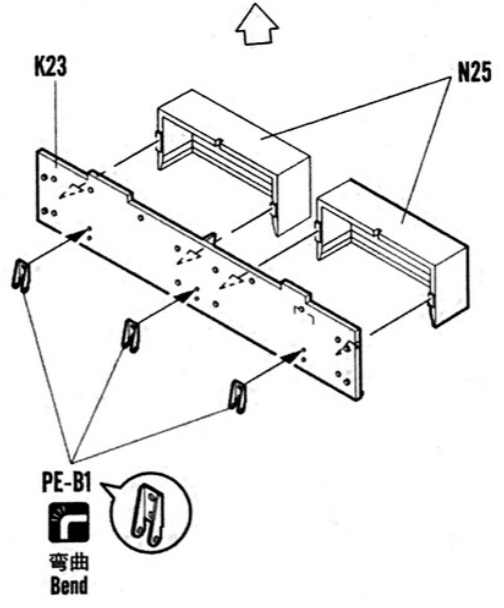
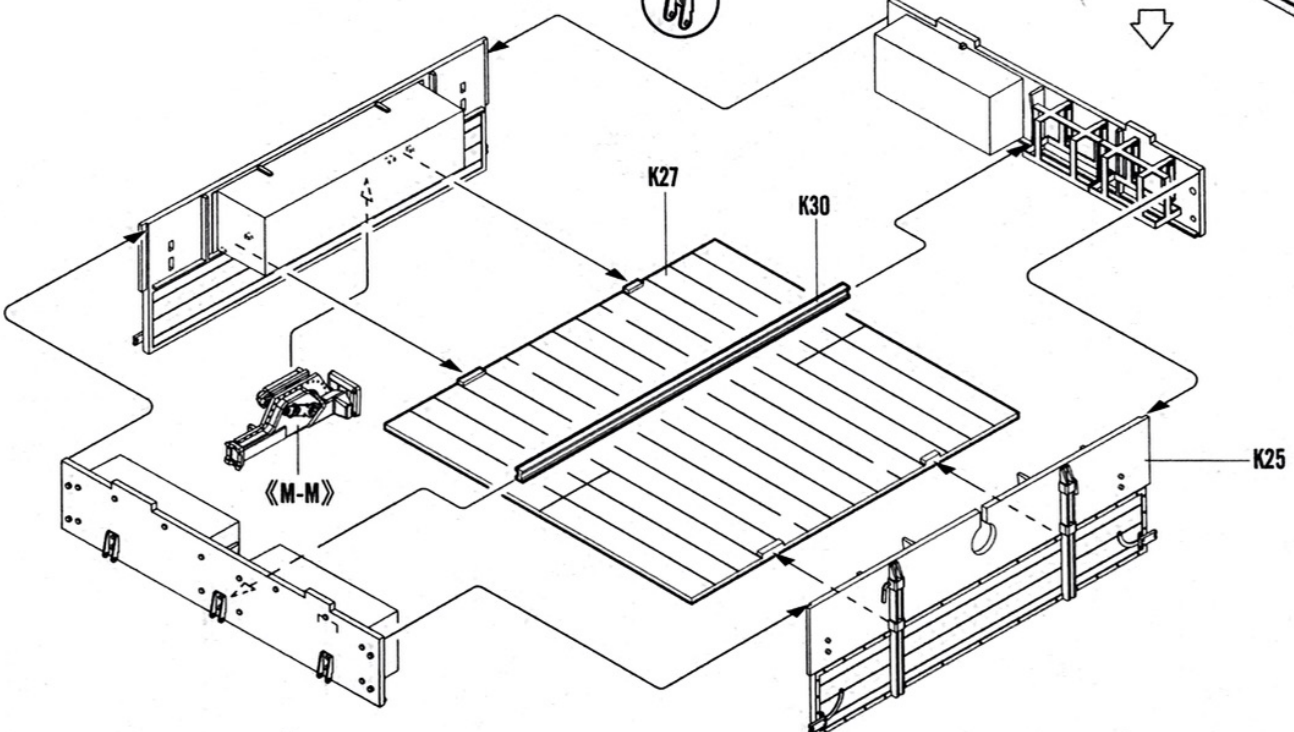
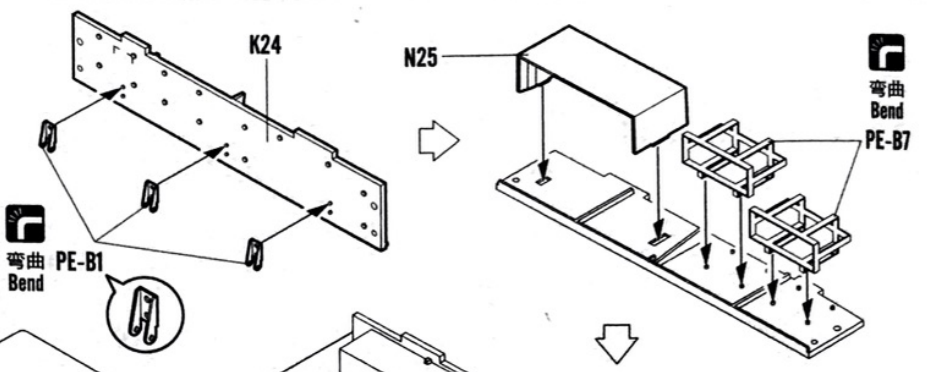
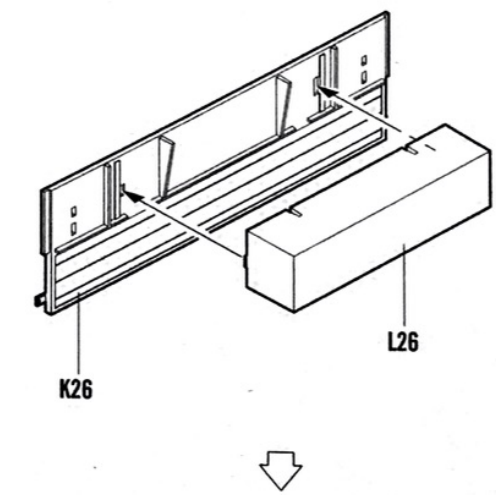
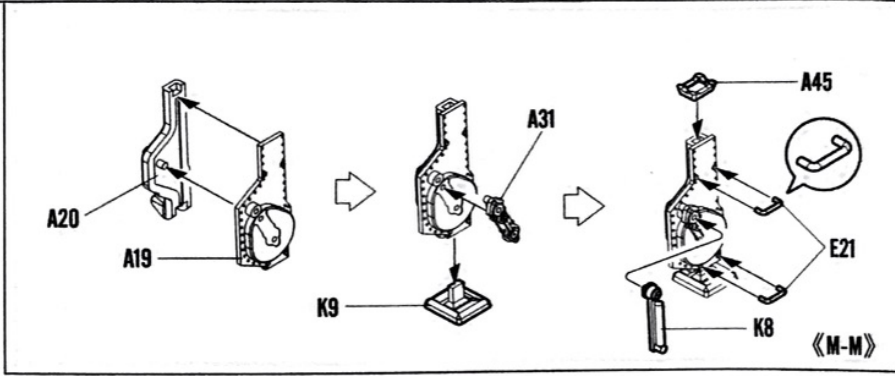


32
STEP

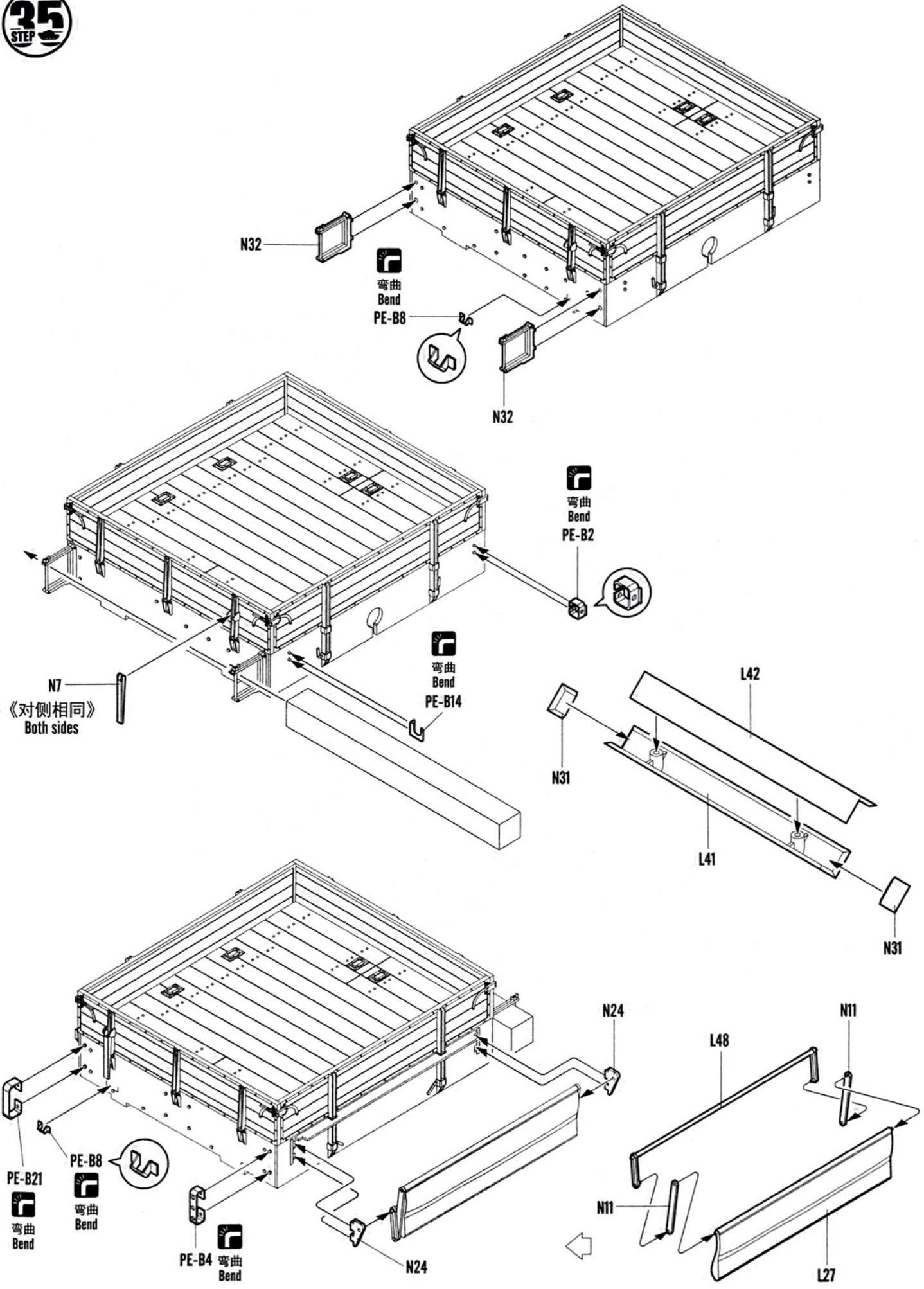


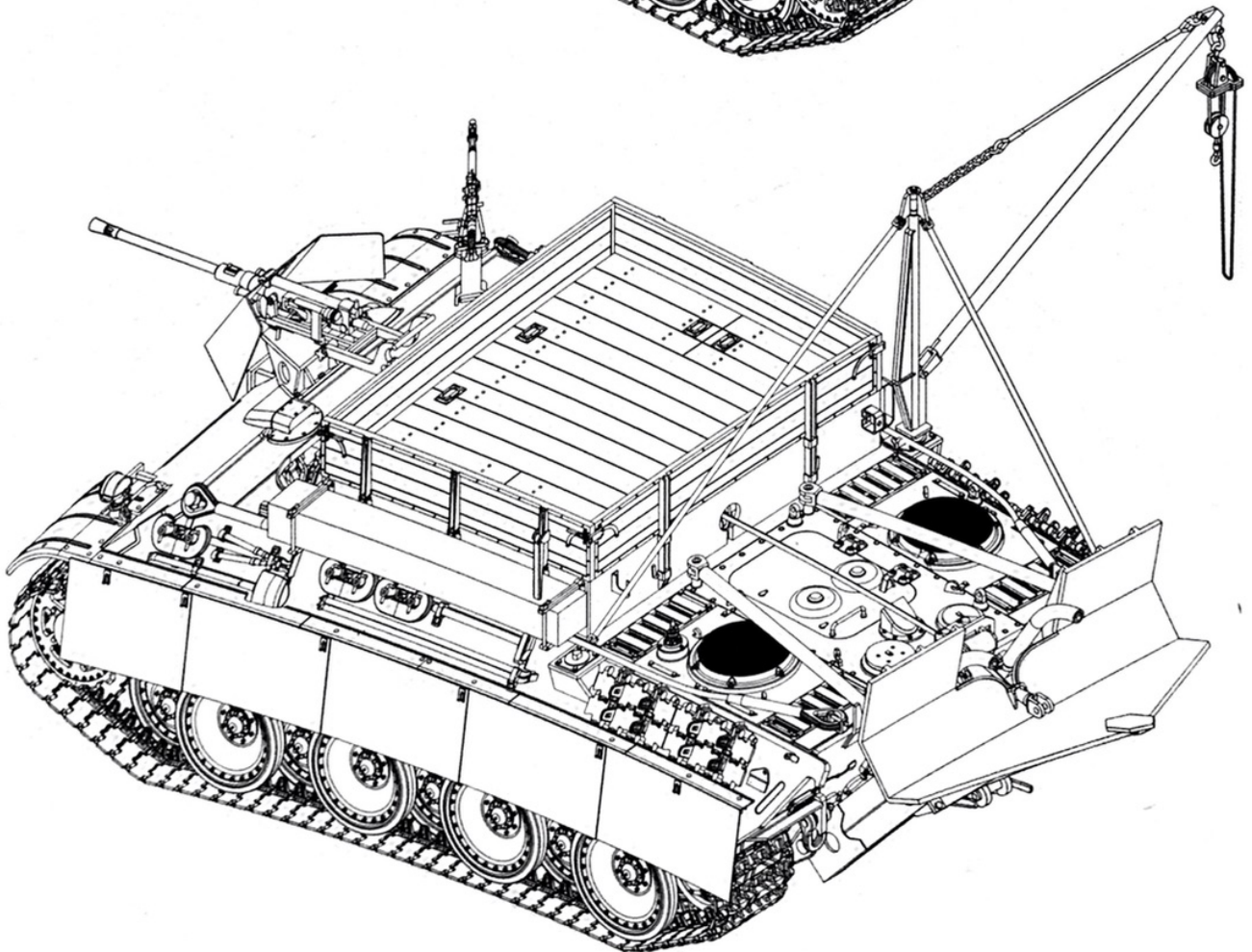
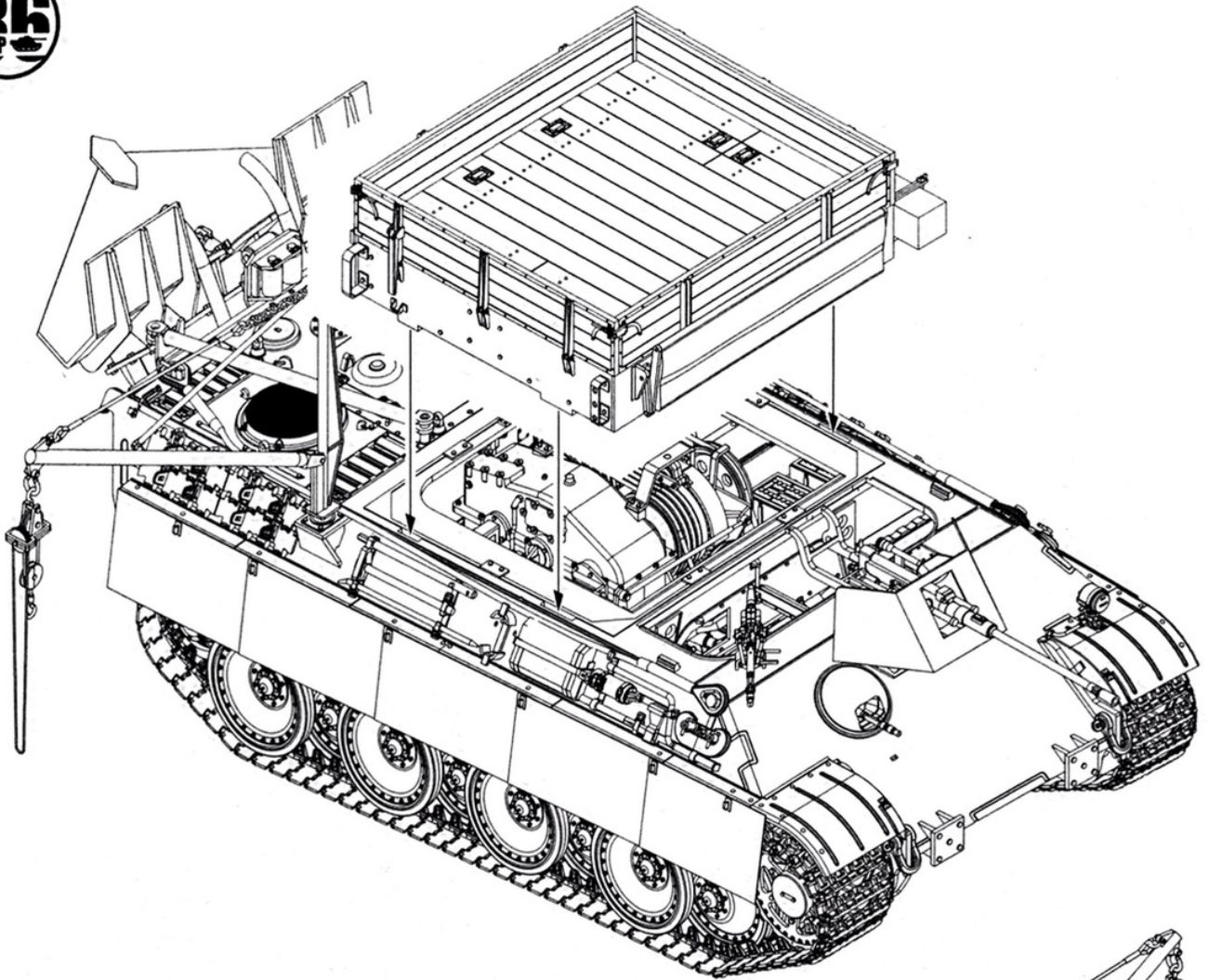
33
STEP





K29
《对侧 K28》
Opposite K28



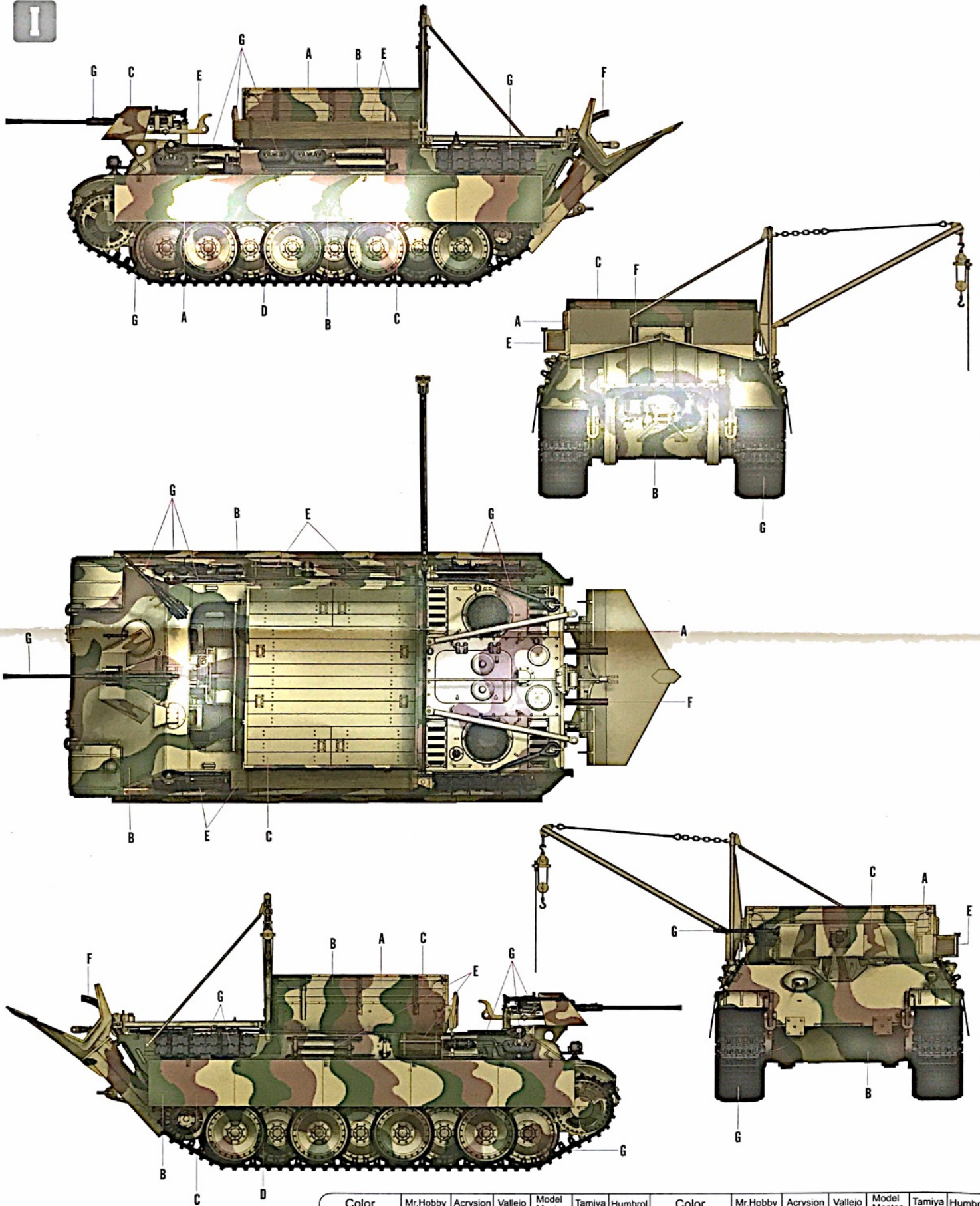


标贴与涂装 German Sd.Kfz.179 Bergepanther Ausf.G

MARKING & PAINTING ドイツベルゲパンサーG型 戦車回収車 德国“黑豹”坦克抢修车G型



I



Color	Mr.Hobby	Acrycion	Vallejo	Model Master	Tamiya	Humbrol	Color	Mr.Hobby	Acrycion	Vallejo	Model Master	Tamiya	Humbrol
A 砂黄色 Sandy Yellow	H [79 39]	N [79]	824	--	XF59	93	E 木棕色 Wood Brown	H [37 43]	N [37]	983	1701	--	186
B 战车绿 Dark Green	H [70 70]	N [70]	--	--	--	--	F 烧铁色 Burnt Iron	H [76 61]	N [76]	863	1795	X10	53
C 红棕色 Red Brown	H [47 41]	N [47]	984	--	XF64	160	G 黑铁色 Steel	H [18 20]	N [18]	864	1402	XF84	--
D 胎黑色 Tire Black	H [77 137]	N [77]	--	--	XF85	--							

NO.:84553

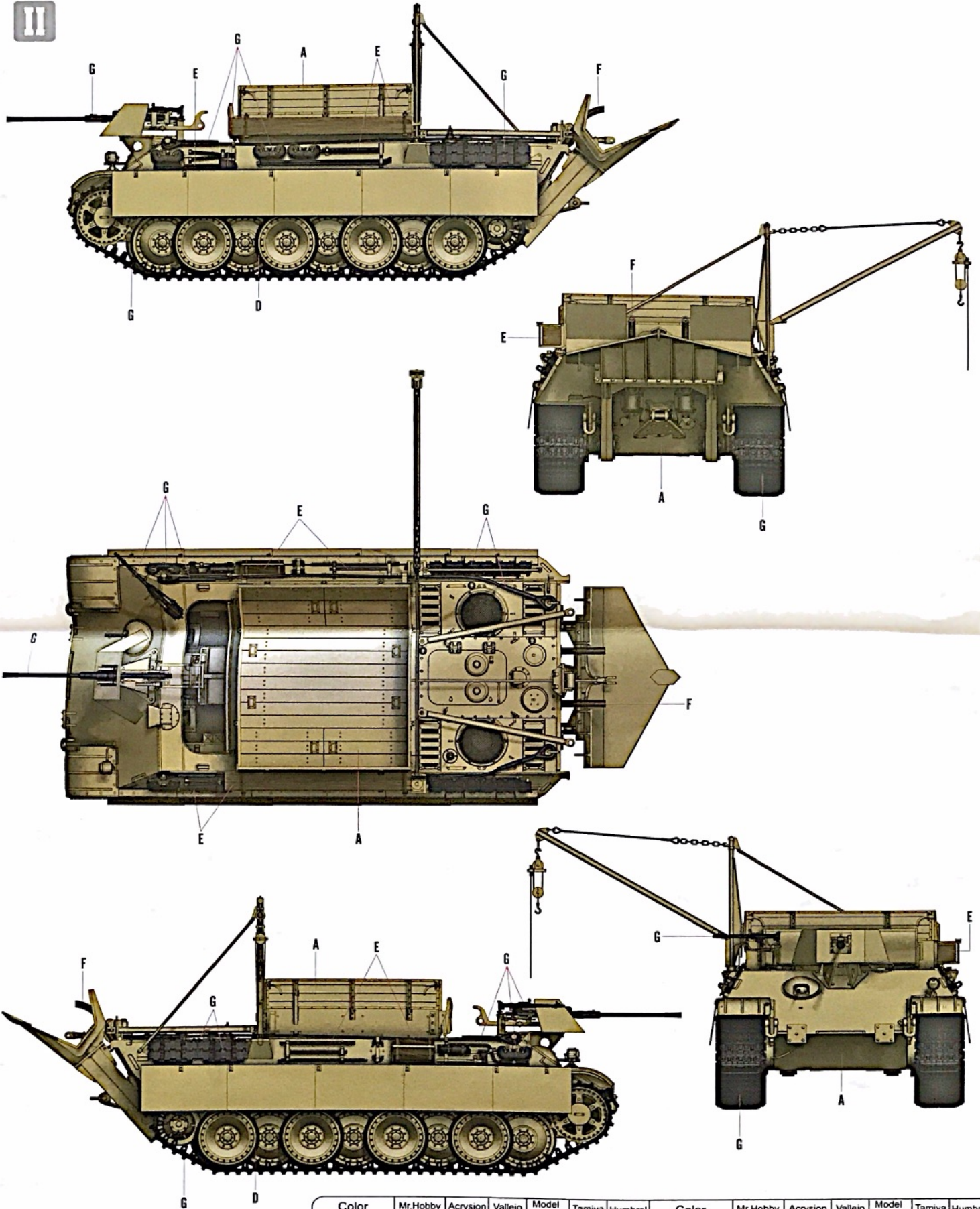
H AQUEOUS HOBBY COLOR ■ Mr. COLOR N ACRYCION COLOR

标贴与涂装 German Sd.Kfz.179 Bergepanther Ausf.G

MARKING & PAINTING ドイツベルゲパンサーG型戦車回収車 德国“黑豹”坦克抢修车G型



II



Color	Mr.Hobby	Acrycion	Vallejo	Model Master	Tamiya	Humbrol	Color	Mr.Hobby	Acrycion	Vallejo	Model Master	Tamiya	Humbrol
A 砂黄色 Sandy Yellow	H [79] 39	N [79]	824	--	XF59	93	E 木棕色 Wood Brown	H [37] 43	N [37]	983	1701	--	186
B 战车绿 Dark Green	H [70] 70	N [70]	--	--	--	--	F 烧铁色 Burnt Iron	H [76] 81	N [76]	863	1795	X10	53
C 红棕色 Red Brown	H [47] 41	N [47]	984	--	XF64	160	G 黑铁色 Steel	H [18] 28	N [18]	864	1402	XF84	--
D 胎黑色 Tire Black	H [77] 137	N [77]	--	--	XF85	--							

NO.:84553

H AQUEOUS HOBBY COLOR ■ Mr. COLOR

N ACRYCION COLOR