

**AFV
CLUB**
1/48 SCALE
HF48005

ROC NAVY 中華民國海軍 500MD/ASW反潛直升機 500MD/ASW

PLASTIC INJECTION PARTS BY

ACADEMY
HOBBY MODEL KITS



休斯公司的500MD直升機衍生自活躍於越南戰場的OH-6輕型直升機。OH-6憑藉著低噪音、體型小及保養維修容易等優點，證明了它在戰場上的價值。在經過OH-6性能改良之後的500MD能適應比OH-6更為廣範的需求，隨著搭載設備的不同而執行偵察、觀測、反潛與反裝甲等不同的任務。

500MD/ASW則為500MD的海軍型號，功能在反潛作戰中對水下目標執行搜索、定位與攻擊。主要特徵在於機首加裝一具RDR-1300型搜索雷達，能夠搜索離艦二百七十五公里外的水面目標。機身右側則增設AN/ASQ-81C(V)2型磁測儀，用來測量水面之下潛艦可能的位置與運動軌跡。為使機腹下能掛載一至二枚Mk44或Mk46魚雷，500MD/ASW改用加高並具備減震裝置的滑橇起落架，滑橇上包覆了充氣浮筒，能在迫降水面時提供直升機適時的漂浮能力。

中華民國海軍於1977年引進12架，最初配屬於經過FRAM I/II升級後的基林(Gearing)級與亞倫桑納(ALLEN M. SUMNER)級陽字號驅逐艦，在稍後的諾克斯級巡防艦就役之後，由於飛行甲板的狹小，500MD/ASW依然憑藉著小巧的機身，無可替代的繼續做為該艦的空中反潛兵力。


The Hughes 500MD was developed from OH-6 light helicopter which saw active actions in Vietnam. With proven advantages such as low noise, small size and easy maintenance, the OH-6 was found valuable in combat. Improved from OH-6, the 500MD is even more adoptable in various tasks, with appropriate equipments; it is able to conduct reconnaissance, observation, anti-submarine and anti-armor missions.

500MD/ASW is the designation in the Navy. It was designated to conduct search, locate and attack submarine targets. The RDR-1300 search radar is housed in a nose radome, which is able to search targets up to 275 kilometers. AN/ASQ-81C(V)2 magnetic anomaly detector (MAD) can be carried on the starboard fuselage, to trace submarines. To carry up to two Mk.44 or Mk.46 torpedoes, heightened and shock-absorbing skids were installed, and inflatable floats are attached to the skids to provide floating capabilities in case of emergency.


The ROC Navy purchased 12 500MD/ASWs in 1977. Initially they saw services with Yang Class Destroyers (Gearing Class and Allen M. Sumner Class with FRAM I/II upgrade), later also saw services with the Knox Class Frigates. Benefit from tiny size, 500MD/ASWs are irreplaceable to the Navy and will still provide air anti-submarine warfare for the Frigates.

Illustration:圖示說明

	Drill a Hole 鑽孔		Apply Decal 貼上貼紙
	Cement 用膠黏合		No Cement 不用黏合
	Make 2 Sets 二組製作		Cut Off 切除
	Optional 選擇使用		Remove 將其磨去
	Fill the Hole 把孔填平		Instnt Glue 使用瞬間膠
	Be Careful 注意		Cutoff 切斷



CUT HERE



因產品中有極精細的部件，請由標示處切除
以避免損害零件。
Note Cut off at here first to avoid damage

Method for applying decals:

水貼紙使用說明:

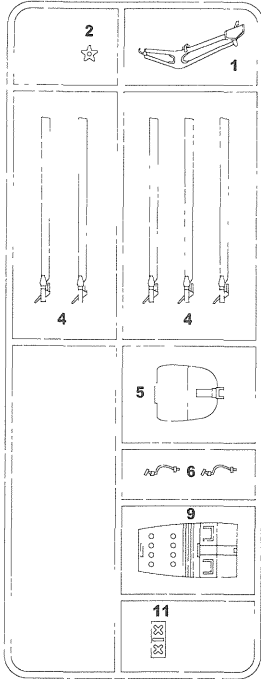
- | | |
|---|--------------------|
| 1 Clean model surface with wet cloth 2 | 1 將模型表面擦乾淨 |
| 2 Cut out of decal sheet and dip them in warm water for 15 seconds 3 | 2 將貼紙剪下泡入溫水中浸泡約15秒 |
| 3 Place it on proper position on model 4 | 3 將泡濕之貼紙取出置於欲貼處旁 |
| 4 Slide off base paper leaving decals on model with wet finger tip 5 | 4 用指尖輕推貼紙表面使其滑出底紙 |
| 5 Move decals to exact position, push out excess water under decal with soft cotton cloth 6 | 5 將貼紙調整至適當位置並輕擦拭水份 |
| 6 When decals get dry then complete | 6 待其自然乾燥後即完成 |

Color list: 塗料表

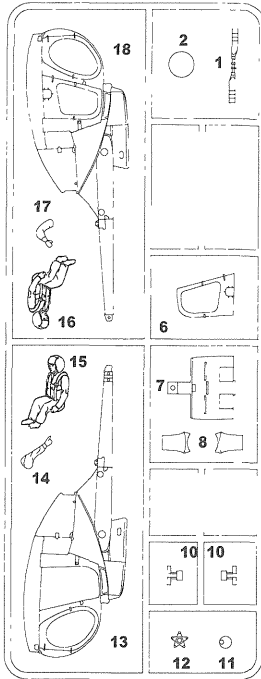
Color	Brand	Gunze Sangyo			Humbrol	Revell	Lifecolor
		Hobby Color	Mr Color	Mr Color Spray			
Black	黑	H2	C2	J2	21	7	LC52
Blue FS15050	藍	H328	C328		190		FS11
Burnt iron	燒鐵	H76	C61		53		LC26
Clear blue	透明藍	H93	C50	J50			
Clear red	透明紅	H90	C47	J47	1321		
Flat black	消光黑	H12	C33	J33	33	8	LC02
Flesh	肉色	H44	C51		61	35	LC41
Gray FS36270	中灰	H306	C306		126		UA28
Gray FS36375	灰	H308	C308		127		UA26
Khaki	卡其	H81	C55		72		UA39
Orange	橘	H14	C59		18	30	LC55
Red	紅	H3	C3	J3	19	31	LC56
Silver	銀	H8	C8	J8	11	90	LC74
White	白	H1	C1	J1	22	4	LC51
Yellow	黃	H4	C4	J4	69	12	LC53

PARTS LIST 零件表

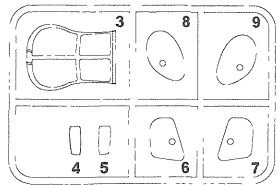
HF48005 (A) x1



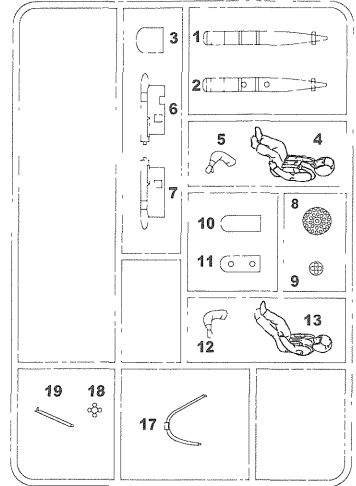
HF48005 (B) x1



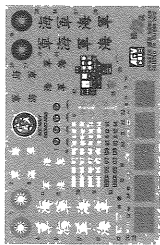
HF48005 (C) x1



HF48005 (D) x1



PLASTIC INJECTION PARTS BY

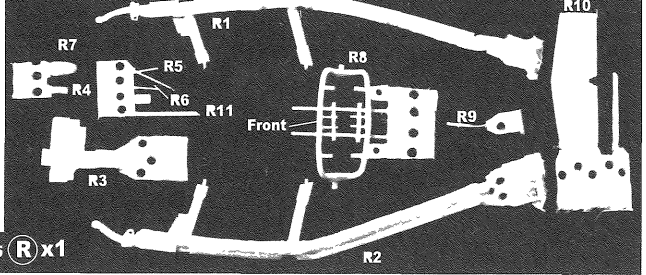


HF48005 (J) x1



HF48005 (G) x1

RESIN PARTS



HF48005 (R) x1



Instructions

If for some reason, you are not fully satisfied or have questions concerning our product, Please use the form provide, and send it to our nearest representative or mail it directly to our office

We will deal with that A S A P



HF48005 Parts Replacement Form

- A parts D parts R parts
 B parts G parts
 C parts J parts

Reason for replacement Missing Broken

Signature _____

限臺灣地區使用 For Taiwanese use only!



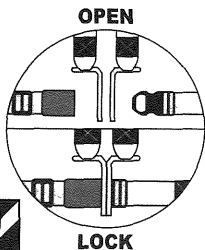
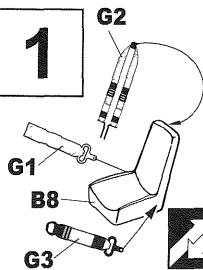
HF48005 零件補充申請表

申請人姓名 地址 電話

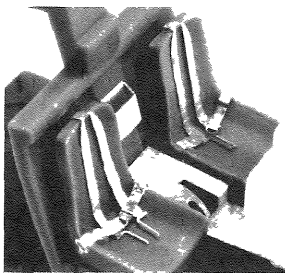
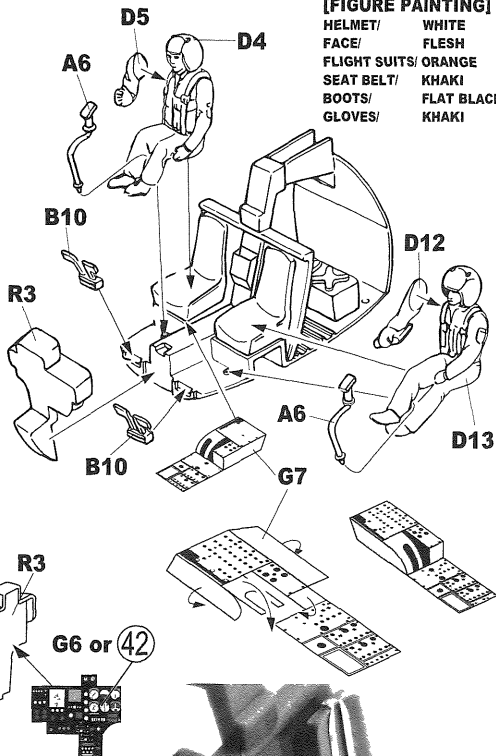
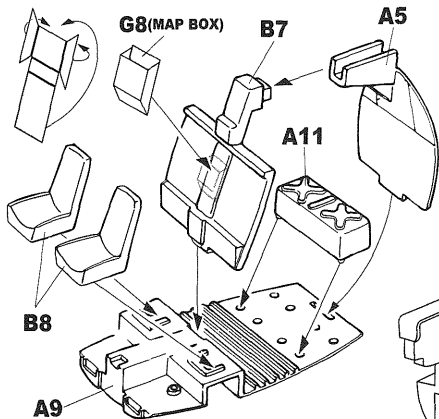
- HF48005-A 部品零件 _____ NTS 120
 HF48005-B 部品零件 _____ NTS 150
 HF48005-C 部品零件 _____ NTS 100
 HF48005-D 部品零件 _____ NTS 120
 HF48005-G 部品零件 _____ NTS 150
 HF48005-J 部品零件 _____ NTS 160
 HF48005-R 部品零件 _____ NTS 250
 + 郵寄費 _____ NTS 80
 (請填) 總計 NTS _____

零件補充原因 (請於 打)
 原包裝即 遺失或 毀損,
 製作途中 遺失或 毀損,
 其他原因 _____

總代理 戰鷹企業 客服部 收本公司將儘速為您處理。
 請將本表與該部品相同金額之郵政匯票一同寄至

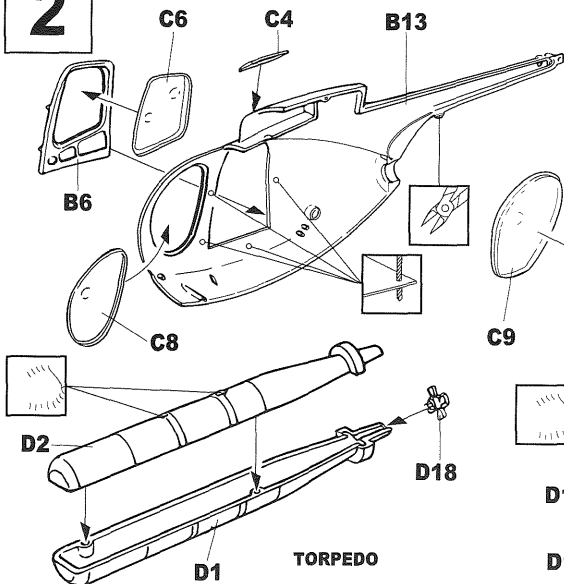
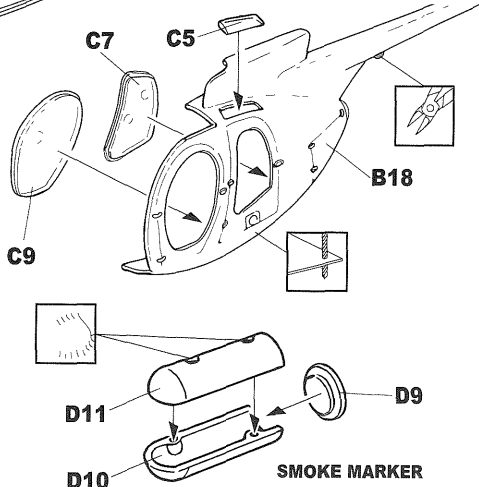
1

[FIGURE PAINTING]
 HELMET/ WHITE
 FACE/ FLESH
 FLIGHT SUITS/ ORANGE
 SEAT BELT/ KHAKI
 BOOTS/ FLAT BLACK
 GLOVES/ KHAKI

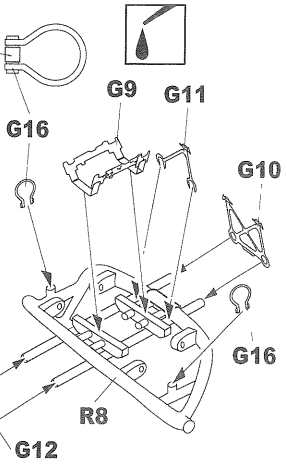
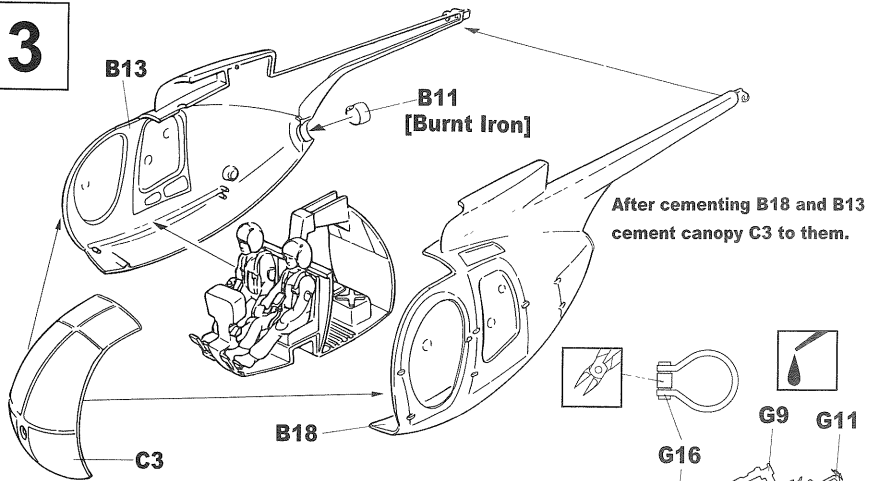


[COCKPIT PAINTING]

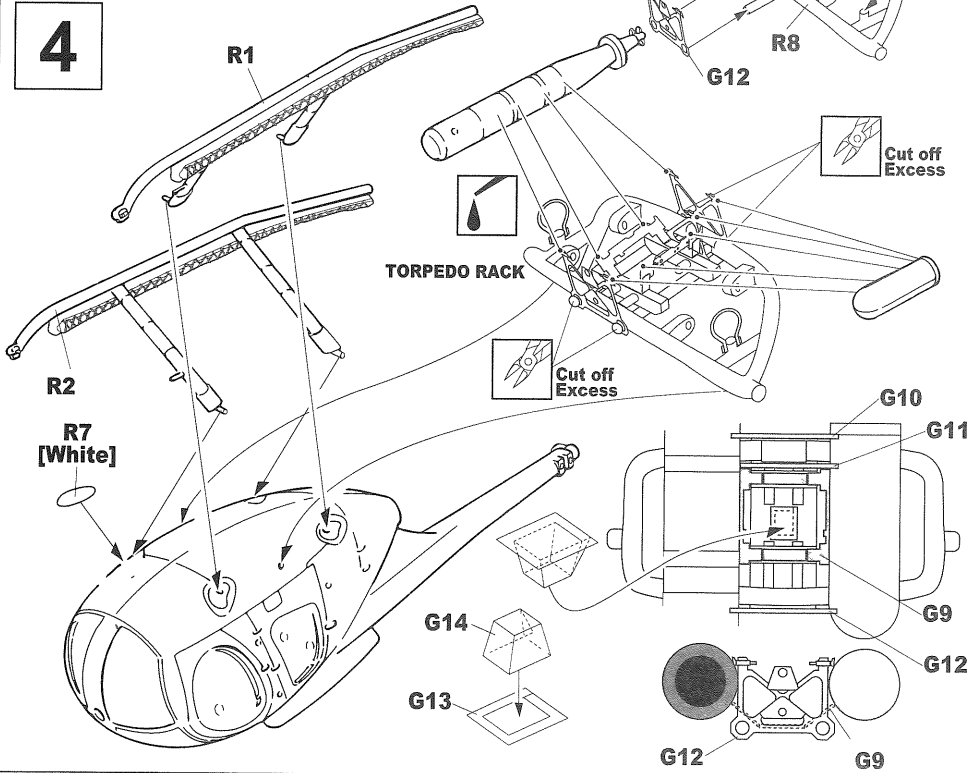
GRAY FS36270 / FOOT PEDAL
 FLAT BLACK / CONTROL COLUMN, PART-R3 AND PART-A11
 NEUTRAL GRAY / COCKPIT INSIDE, COCKPIT FLOOR AND SEAT

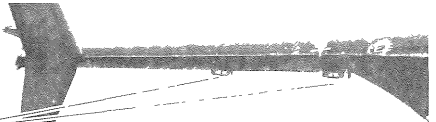
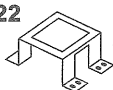
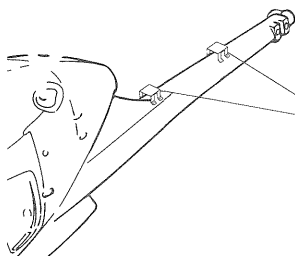
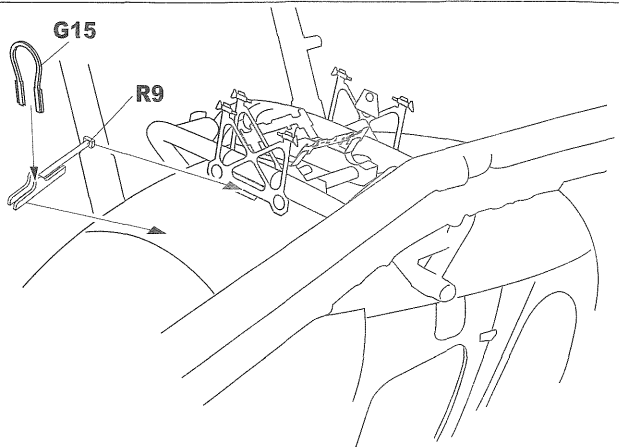
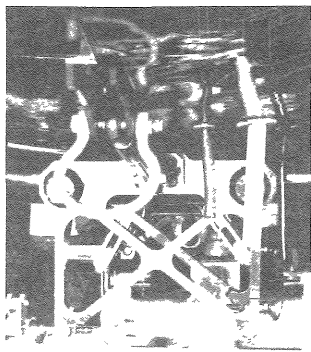
2**TORPEDO****SMOKE MARKER**

3

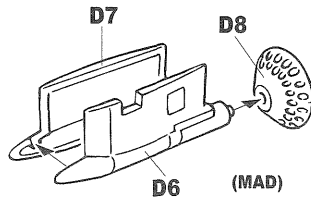
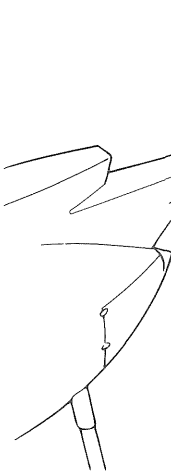
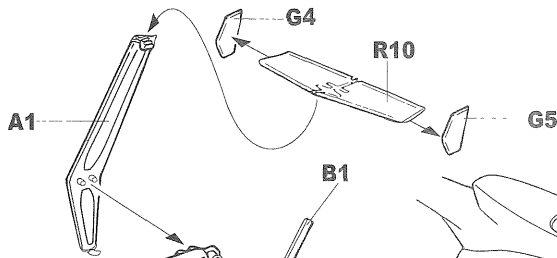


4

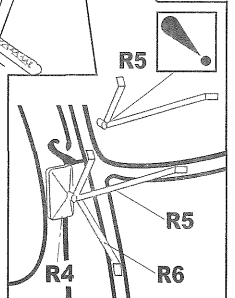
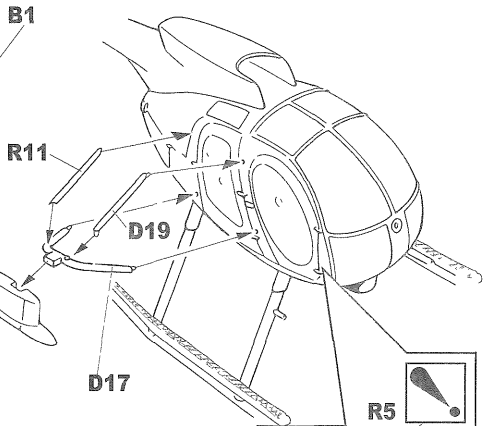




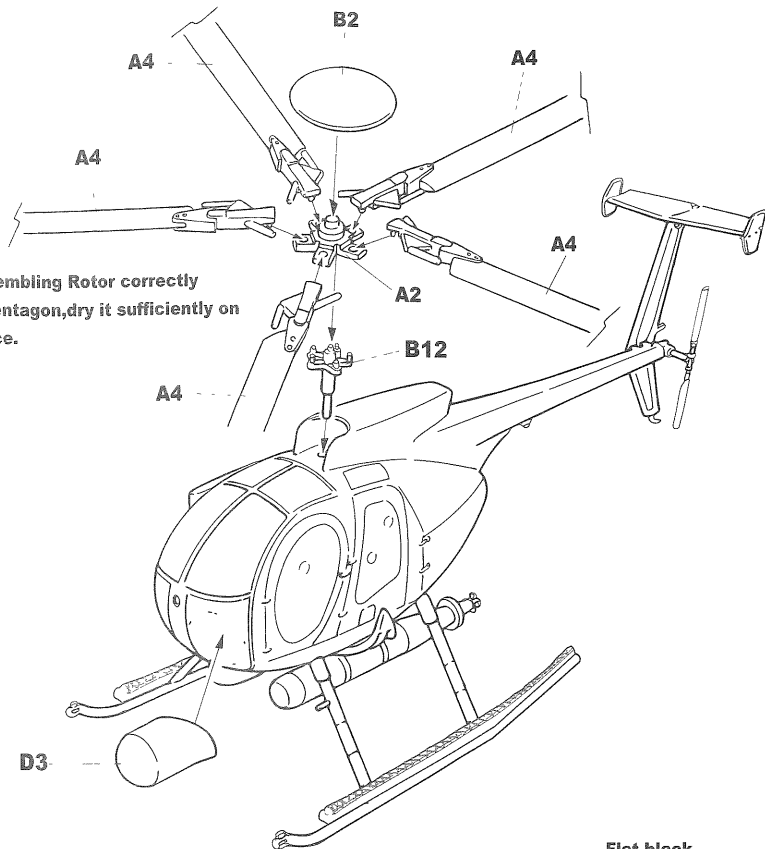
5



(MAD)



6



After assembling Rotor correctly to be a pentagon, dry it sufficiently on a flat place.

Painting

