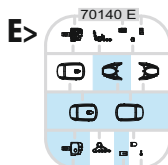
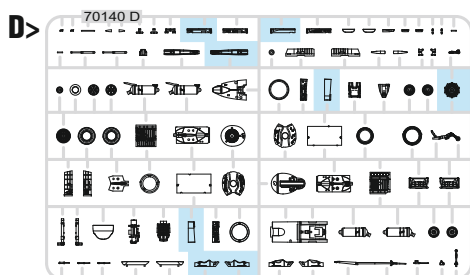
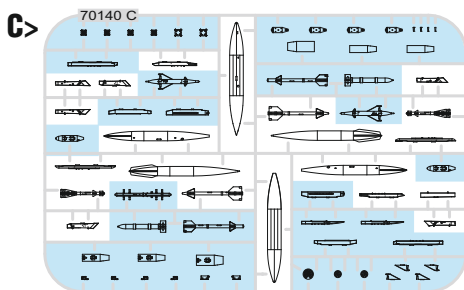
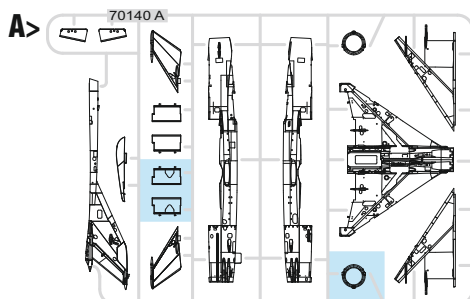


PLASTIC PARTS



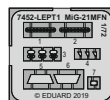
RP - RESIN PARTS

R1
2 pcs.

R2

R3

R4

PE - PHOTO ETCHED
DETAIL PARTS

GSI Creos (GUNZE)		MISSION MODELS	
AQUEOUS	Mr. COLOR	PAINTS	
H1	C1	[MMP-001]	WHITE
H3	C3	[MMP-003]	RED
H4	C4	[MMP-007]	YELLOW
H5	C5	[MMP-048]	BLUE
H7	C7	[MMP-002]	BROWN
H11	C62	[MMP-001]	FLAT WHITE
H12	C33	[MMP-047]	FLAT BLACK
H15	C65		BRIGHT BLUE
H26	C68		BRIGHT GREEN
H51	C11	[MMP-063]	LIGHT GULL GRAY
H53	C13		NEUTRAL GRAY

GSI Creos (GUNZE)		MISSION MODELS	
AQUEOUS	Mr. COLOR	PAINTS	
H37	C73		AIRCRAFT GRAY
H70	C60	[MMP-056]	GRAY
H77	C137	[MMP-040]	TIRE BLACK
H82	C31		DARK GRAY
H84	C42		MAHOGANI
H80	C47		CLEAR RED
H84	C138		CLEAR GREEN
H332	C332		LIGHT AIRCRAFT GRAY
H338	C338	[MMP-116]	LIGHT GRAY
	C19		SANDY BROWN
	C391		INTERIOR GREEN
Mr. METAL COLOR		METALLICS	
	MC213	[MMM-006]	STEEL
	MC214	[MMM-001]	DARK IRON
	MC218	[MMM-003]	ALUMINIUM
Mr. COLOR SUPER METALLIC		METALLICS	
	SM206/SM06	[MMC-001]	SUPER CHROME SILVER

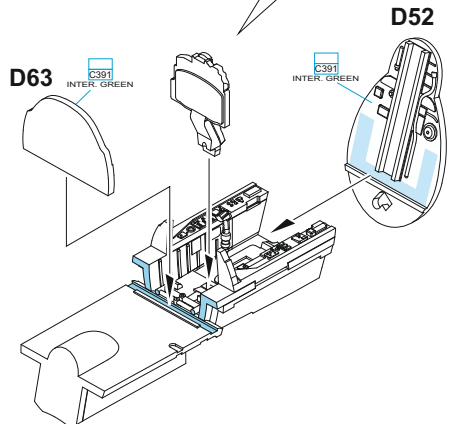
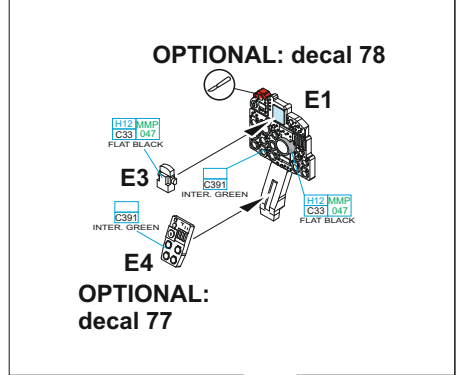
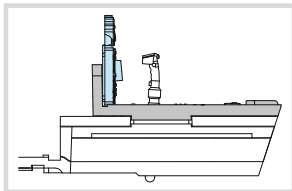
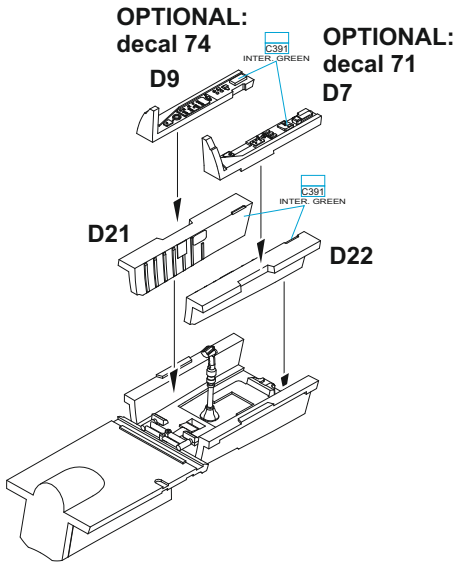
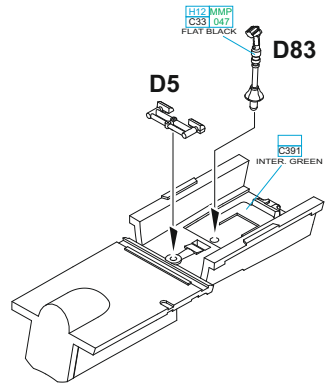
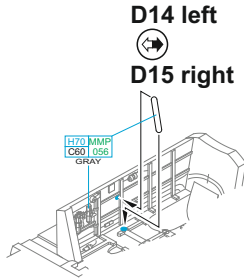
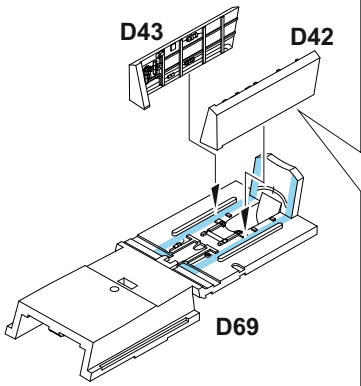
-Parts not for use. -Teile werden nicht verwendet. -Pièces à ne pas utiliser. -Tyto díly nepoužívejte při stavbě. - 使用しない部品

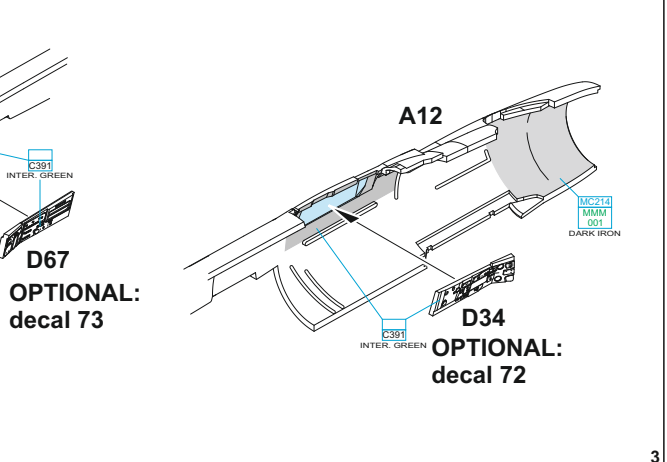
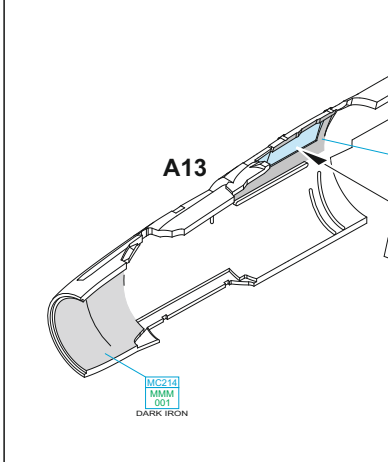
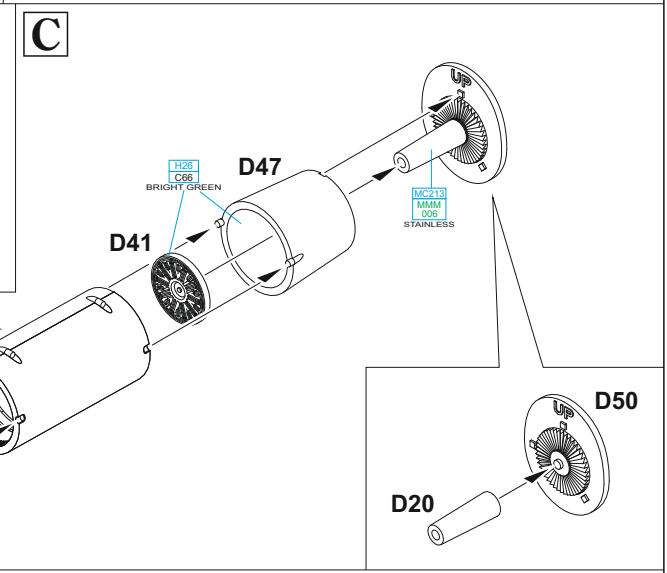
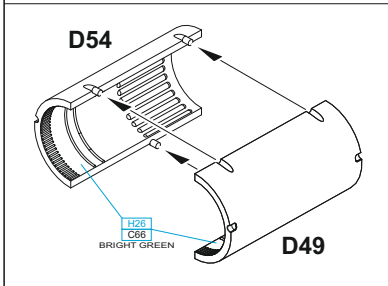
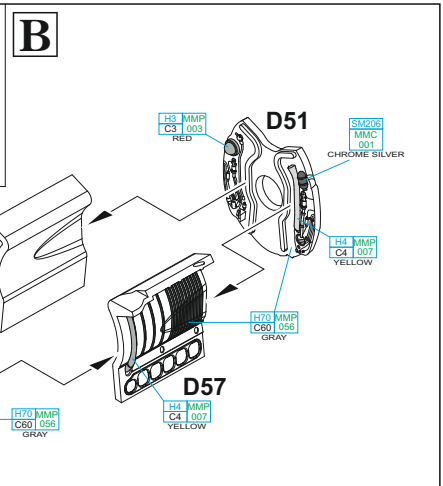
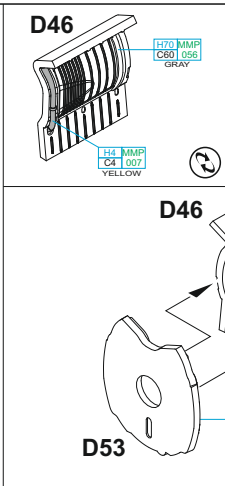
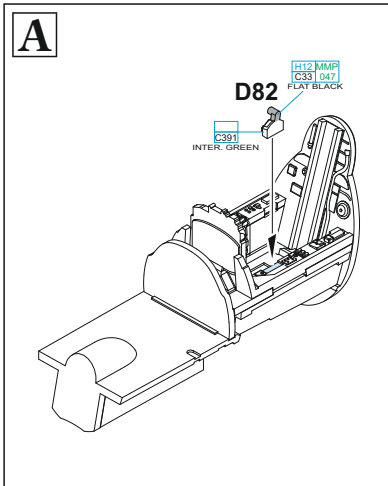
ATTENTION * UPOZORNĚNÍ * ACHTUNG * ATTENTION

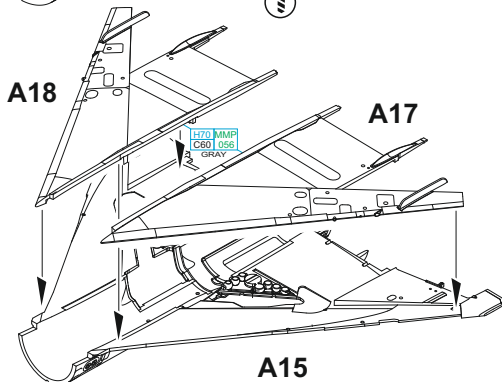
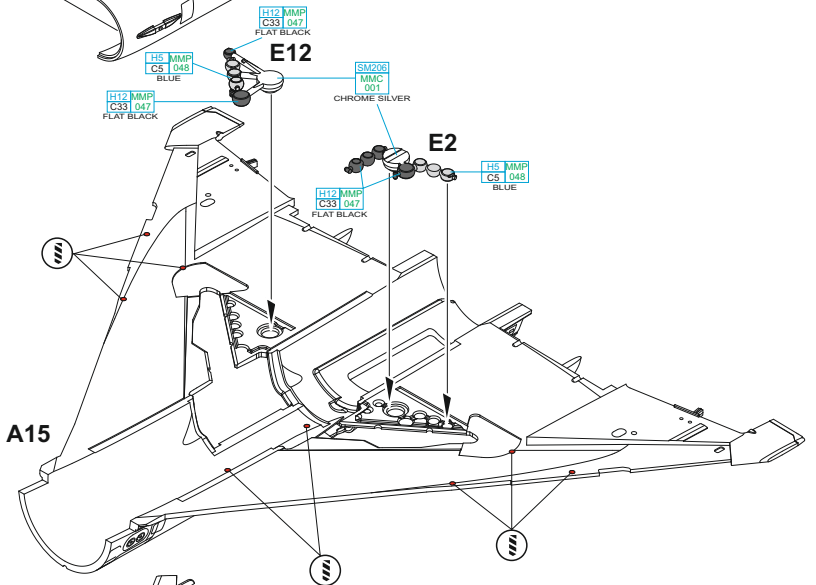
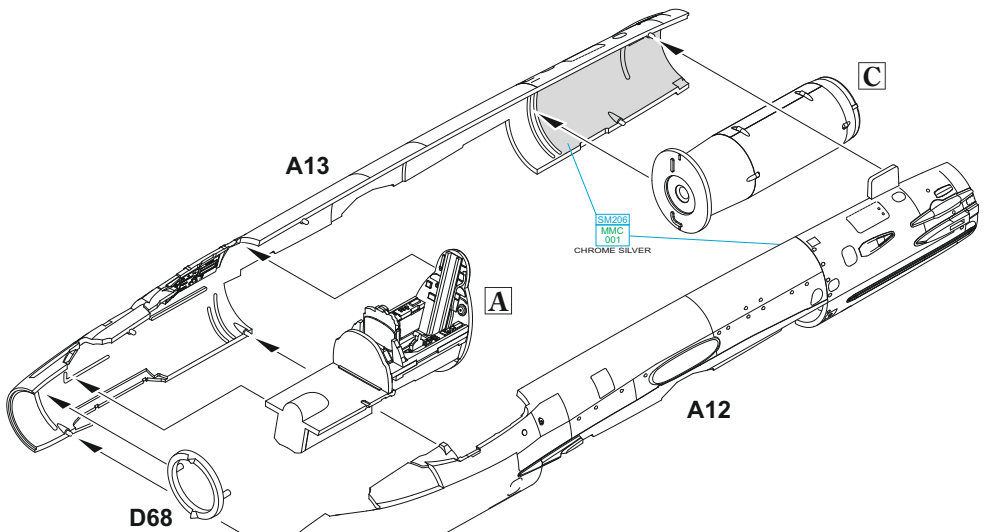
- (GB)** Carefully read instruction sheet before assembling. When you use glue or paint, do not use near open flame and use in well ventilated room. Keep out of reach of small children. Children must not be allowed to suck any part, or pull vinyl bag over the head.
- (CZ)** Před započatím stavby si pečlivě prostudujte stavební návod. Při používání barev a lepidel pracujte v dobře větrané místnosti. Lepidla ani barvy nepoužívejte v blízkosti otevřeného ohně. Model není určen malým dětem, mohlo by dojít k požití drobných dílů.
- (D)** Vor dem Zusammenbau die Bauanleitung gut durchlesen. Kleber und Farben nicht in der Nähe von offenem Feuer verwenden und für eine ausreichende Belüftung sorgen. Den Bausatz von kleinen Kindern fernhalten. Vermeiden Sie, dass Kinder Bauteile in den Mund nehmen oder sich Plastiktüten über den Kopf ziehen.
- (F)** lire soigneusement la fiche d'instructions avant d'assembler. Ne pas utiliser de colle ou de peinture à proximité d'une flamme nue, et aérer la pièce de temps en temps. Garder hors de portée des enfants en bas âge. Ne pas laisser les enfants mettre en bouche ou sucer les pièces, ou passer un sachet vinyle sur la tête.

INSTRUCTION SIGNS * INSTR. SYMBOLY * INSTRUKTION SINNBILDEN * SYMBOLES

- OPTIONAL VOLBA
- BEND OHNOUT
- SAND BROUSIT
- OPEN HOLE VYVRTAT OTVOR
- SYMMETRICAL ASSEMBLY SYMETRICKÁ MONTÁŽ
- REMOVE ODŘIHNOUT
- REVERSE SIDE OTOČIT
- APPLY EDUARD MASK AND PAINT
POUŽIT EDUARD MASK
NABARVIT

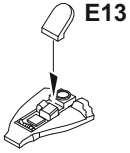
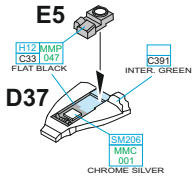
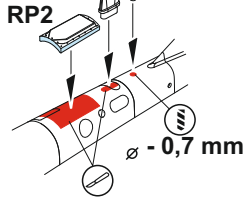






eduard
BRASSIN

RP3 RP1



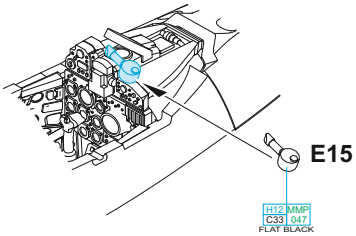
A16

M0214
MMM
001
DARK IRON

A1

B

D33



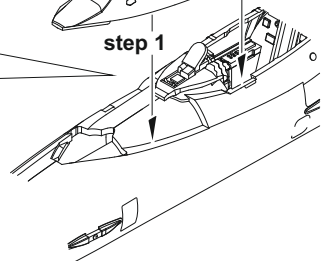
E10

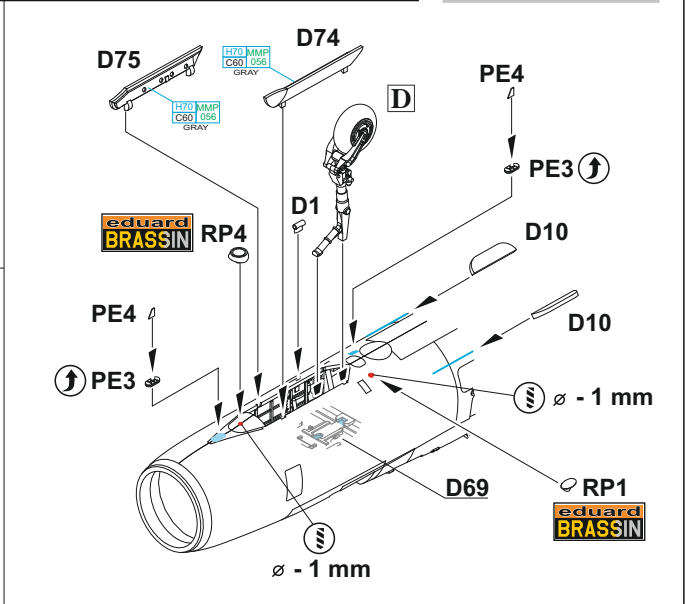
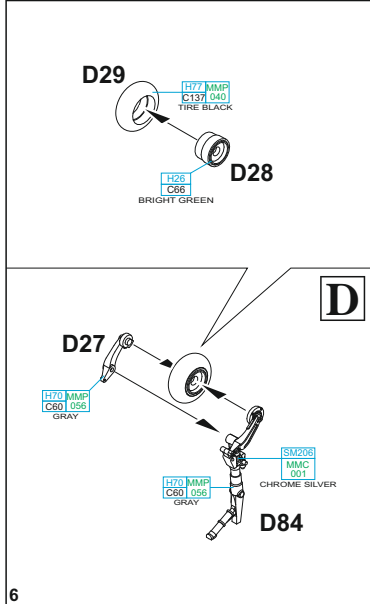
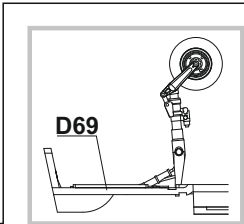
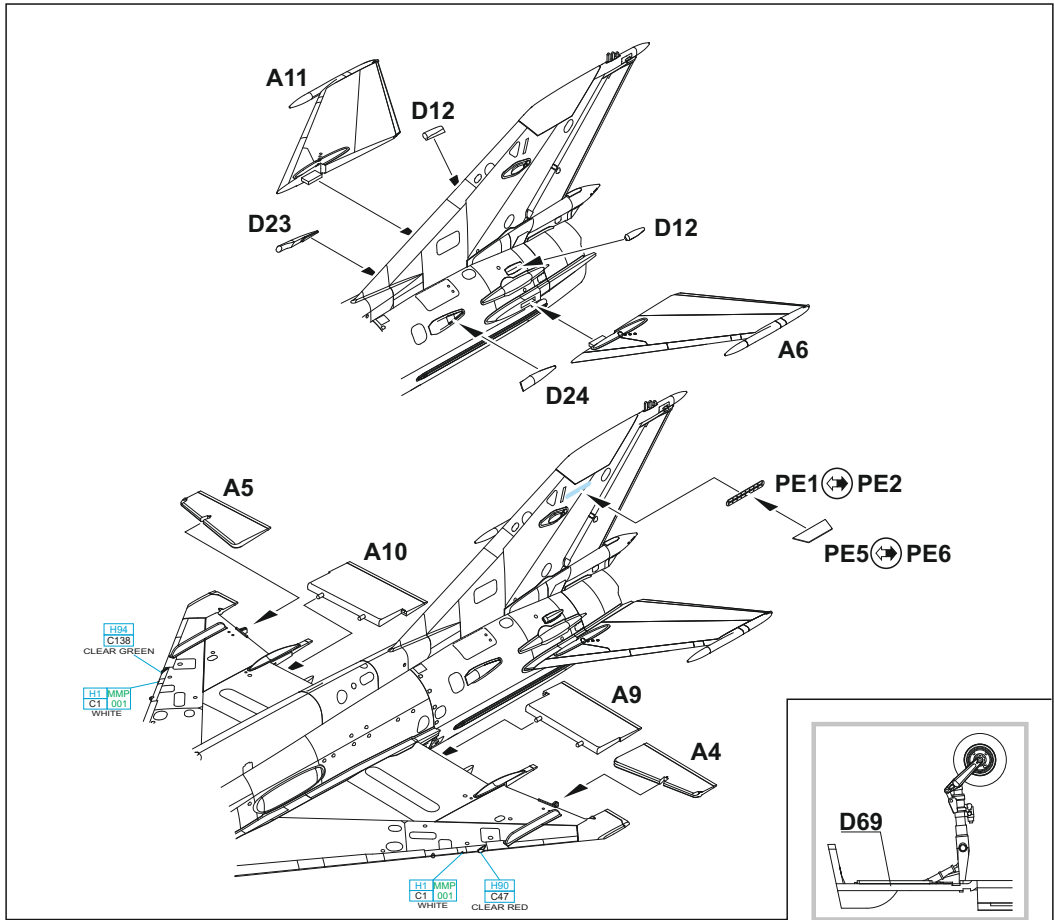
C391
INTER GREEN

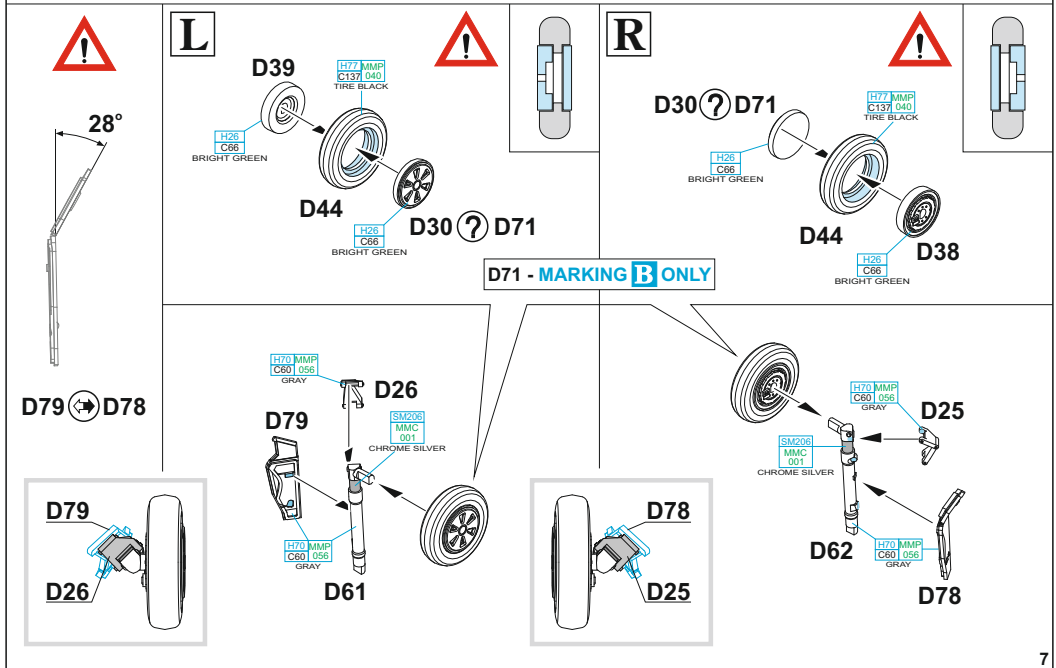
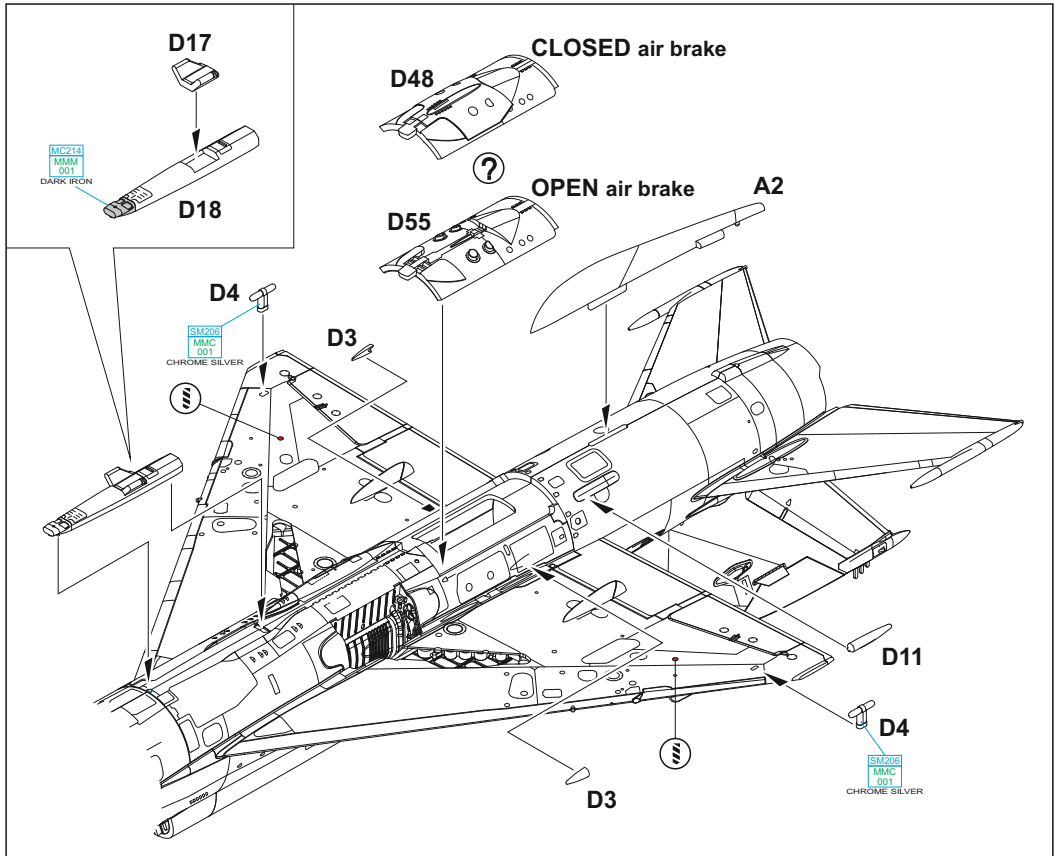
D32

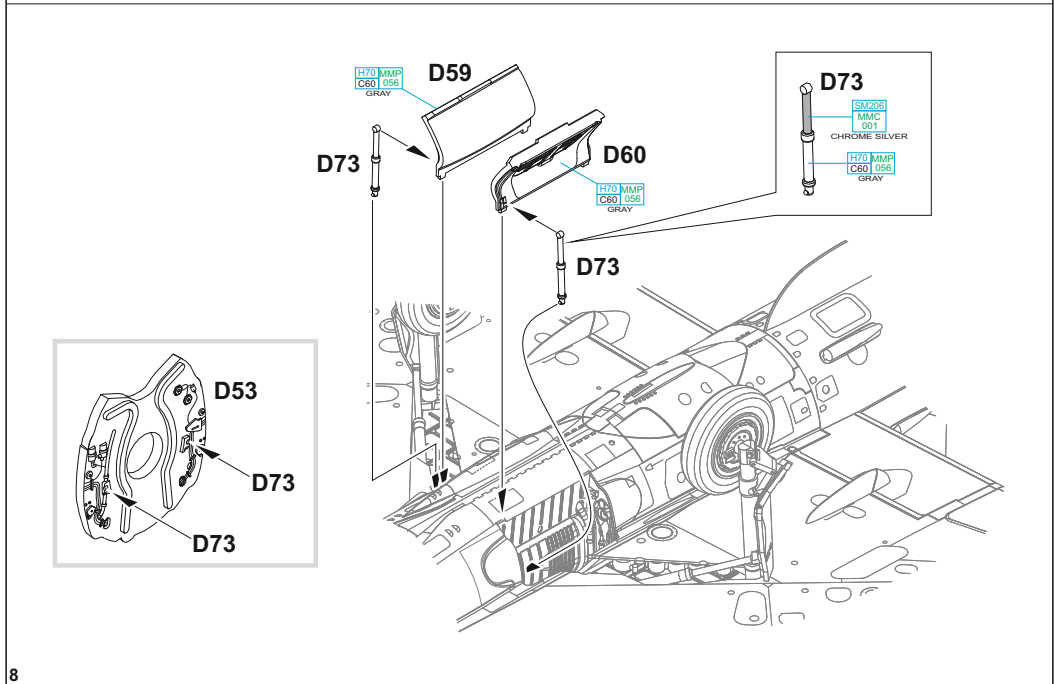
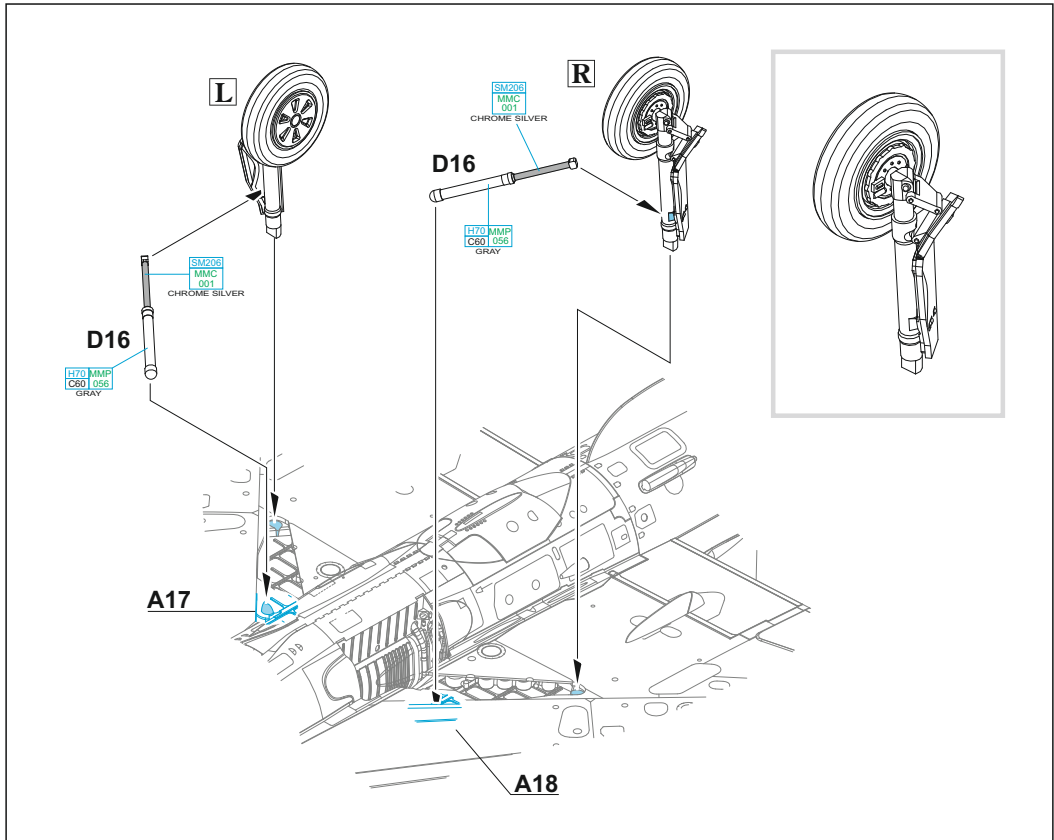
step 2

step 1

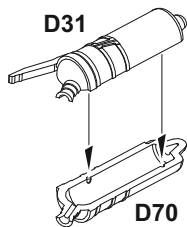




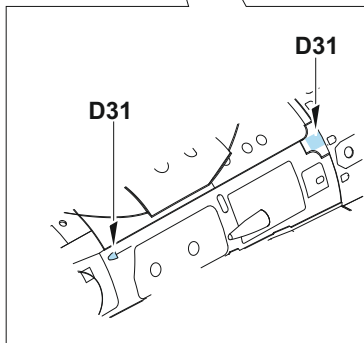
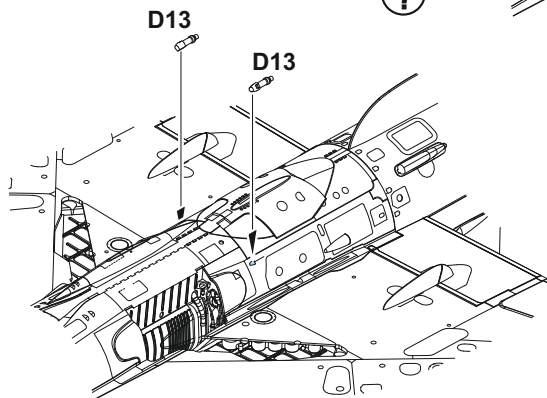
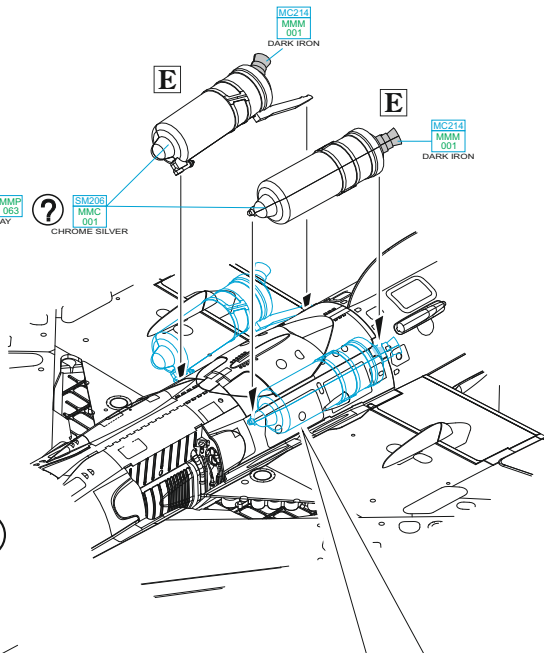




E 2 pcs.

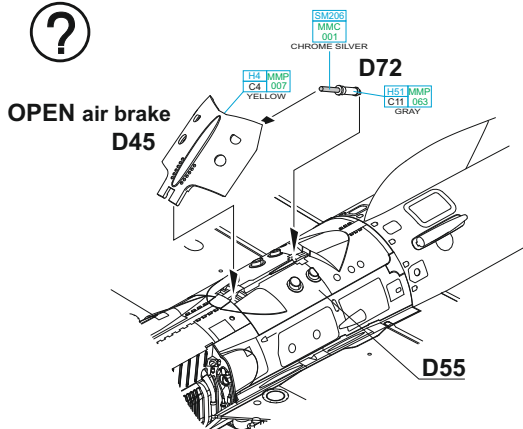
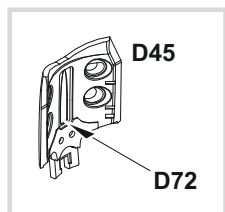


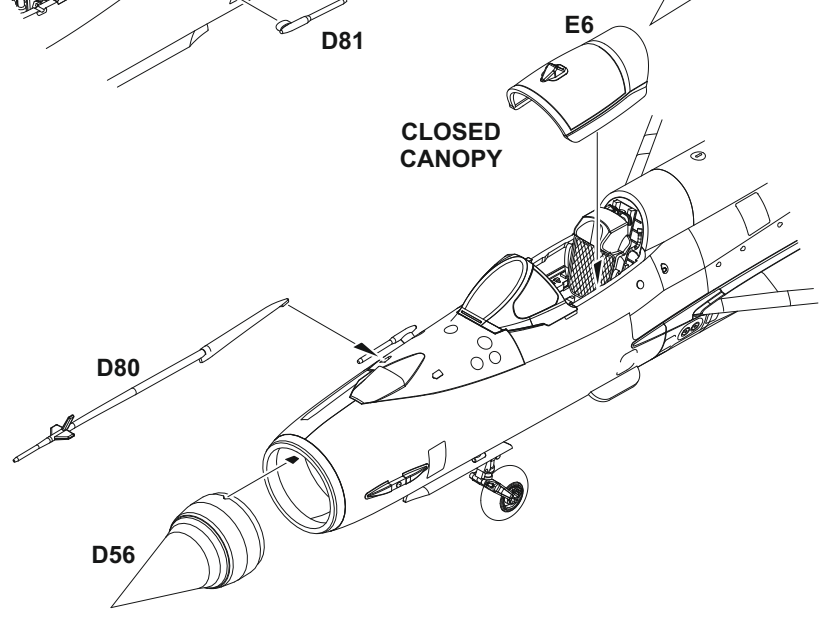
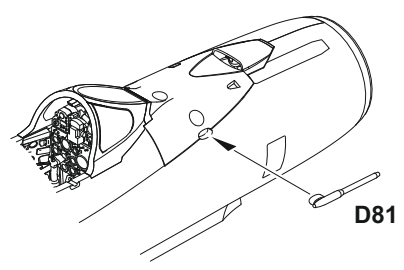
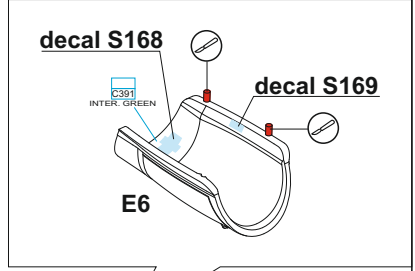
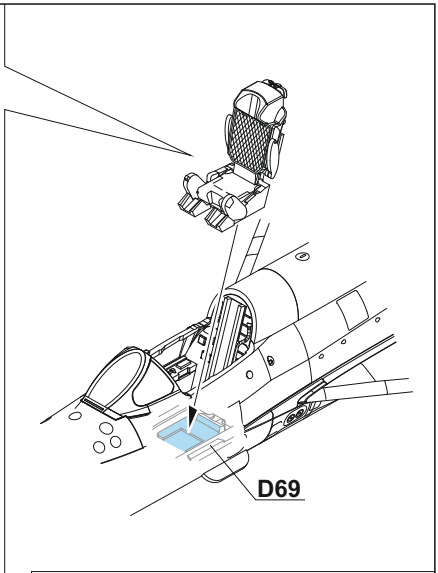
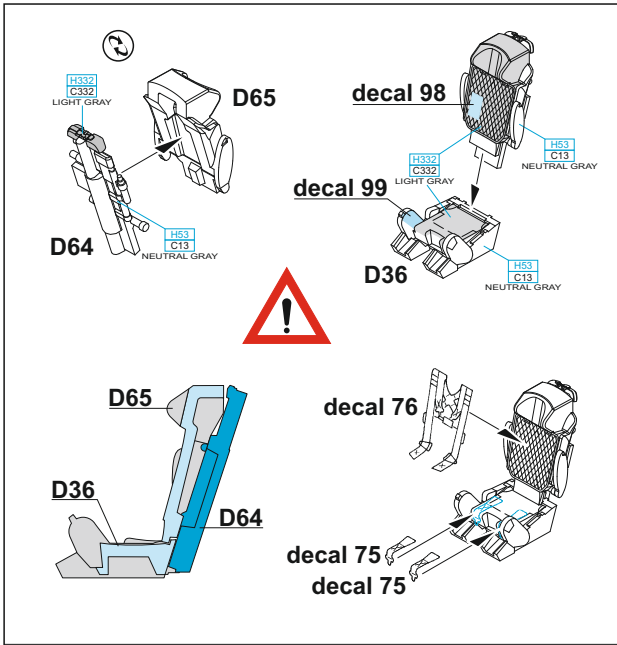
H1 MMP C1 001 WHITE ? H51 MMP C11 063 GRAY ? SM206 MMC 001 CHROME SILVER ?



?

OPEN air brake

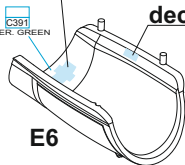




decal S168

C391
INTER. GREEN

decal S169



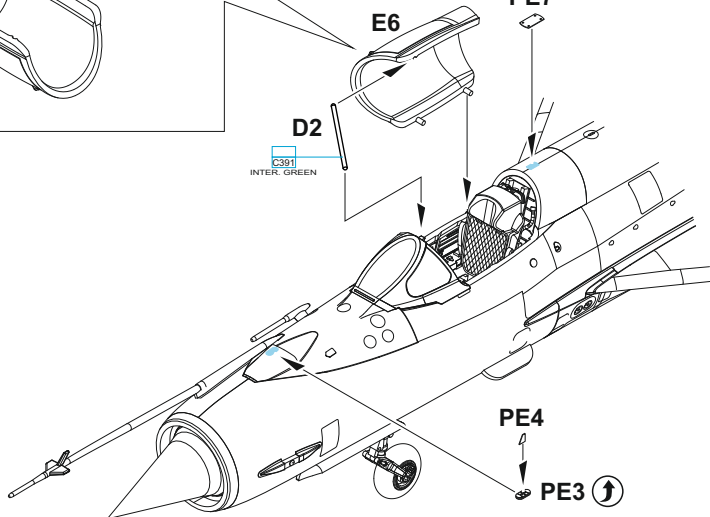
**OPEN
CANOPY**

E6

PE7

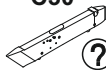
D2

C391
INTER. GREEN



**EXTERNAL
FUEL TANK PYLONS
ZÁVĚSNÍK
PŘ. NÁDRŽE**

C30

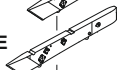


C21



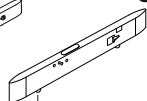
**WEAPON PYLONS
ZÁVĚSNÍK VÝZBROJE**

C9



**EXTERNAL
FUEL TANK PYLONS
ZÁVĚSNÍK
PŘ. NÁDRŽE**

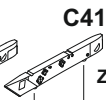
C40



C10



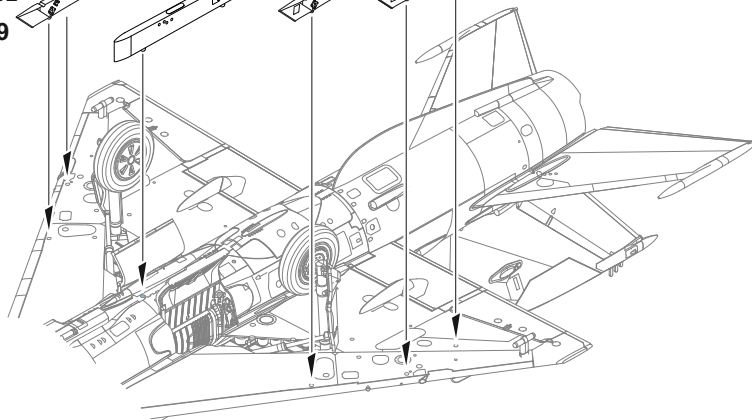
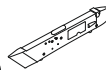
C41



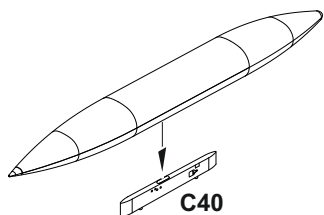
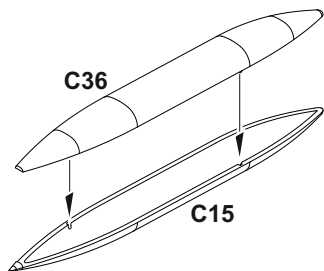
**WEAPON PYLONS
ZÁVĚSNÍK VÝZBROJE**

**EXTERNAL
FUEL TANK PYLONS
ZÁVĚSNÍK
PŘ. NÁDRŽE**

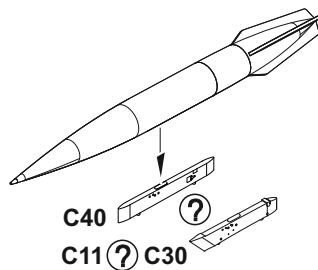
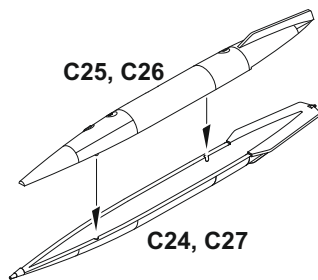
C11



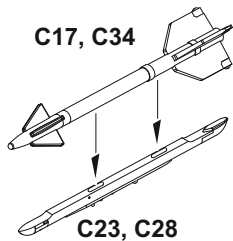
EXTERNAL FUEL TANK 800 l
PRÍDAVNÁ NÁDRŽ 800 l



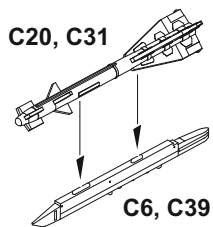
EXTERNAL FUEL TANK 490 l
PRÍDAVNÁ NÁDRŽ 490 l
2 pcs.

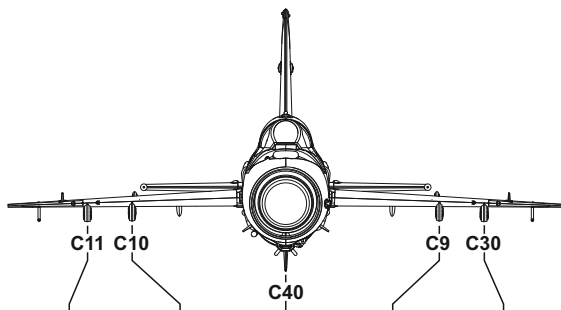


R-13
2 pcs.



R-60
2 pcs.

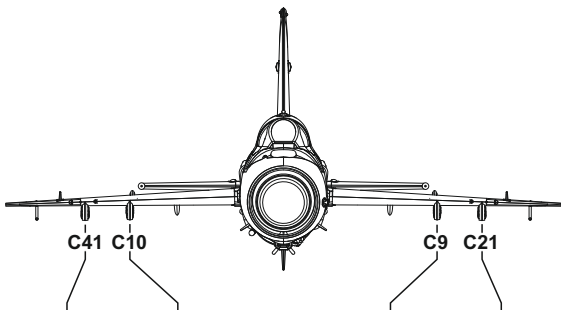
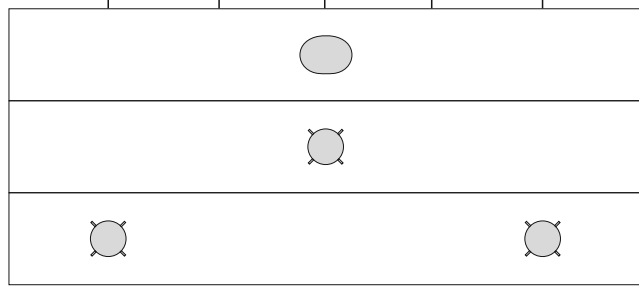




**EXTERNAL
FUEL
TANK 800 I**

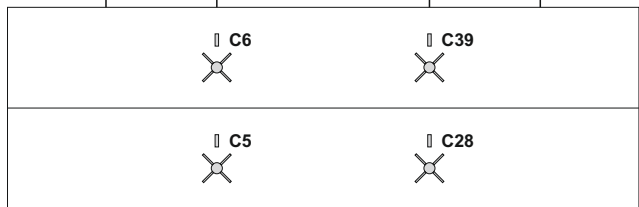
**EXTERNAL
FUEL
TANK 490 I**

**EXTERNAL
FUEL
TANK 490 I**



2x R-60

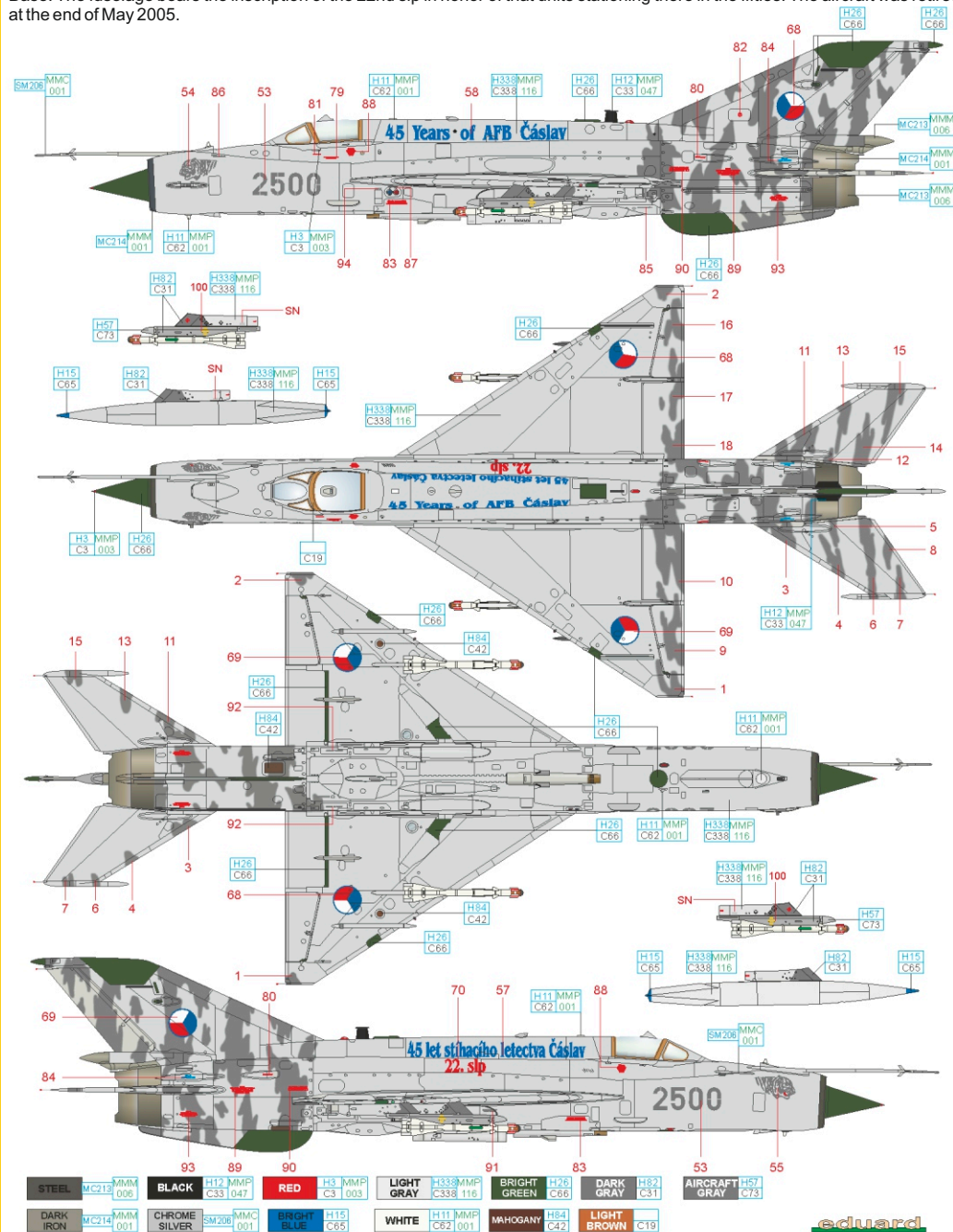
2x R-13

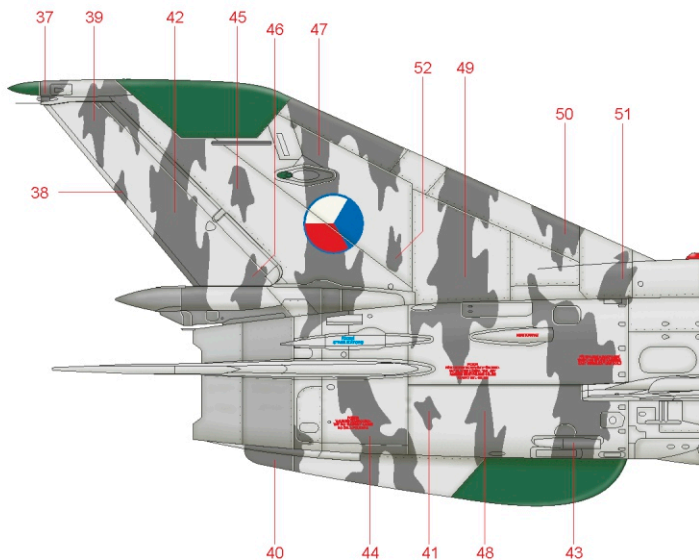
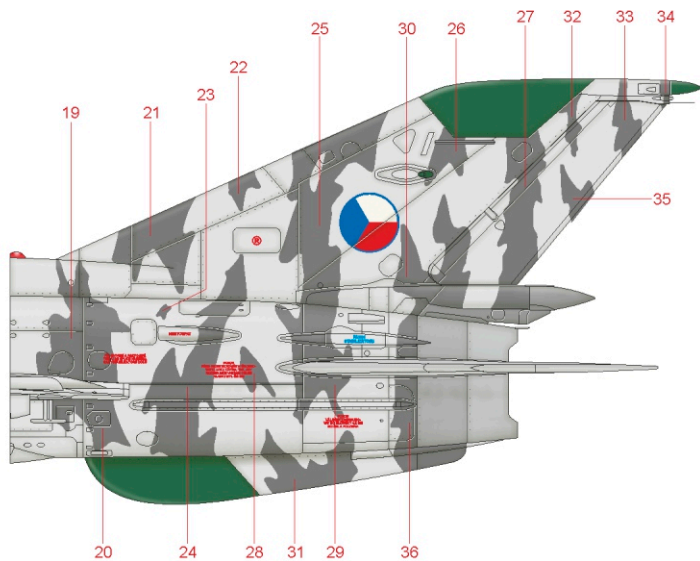


**TO CHOOSE WEAPON AND EXTERNAL FUEL TANK
OPTION PLEASE FOLLOW YOUR REFERENCE.
PRO VOLBU VÝZBROJE A PŘÍDAVNÝCH NÁDRŽÍ SE DRŽTE
DOKUMENTACE KONKRÉTNÍHO STROJE.**

A 41st Fighter Squadron, 4th Tactical Air Force Base, Caslav air base, October 2002

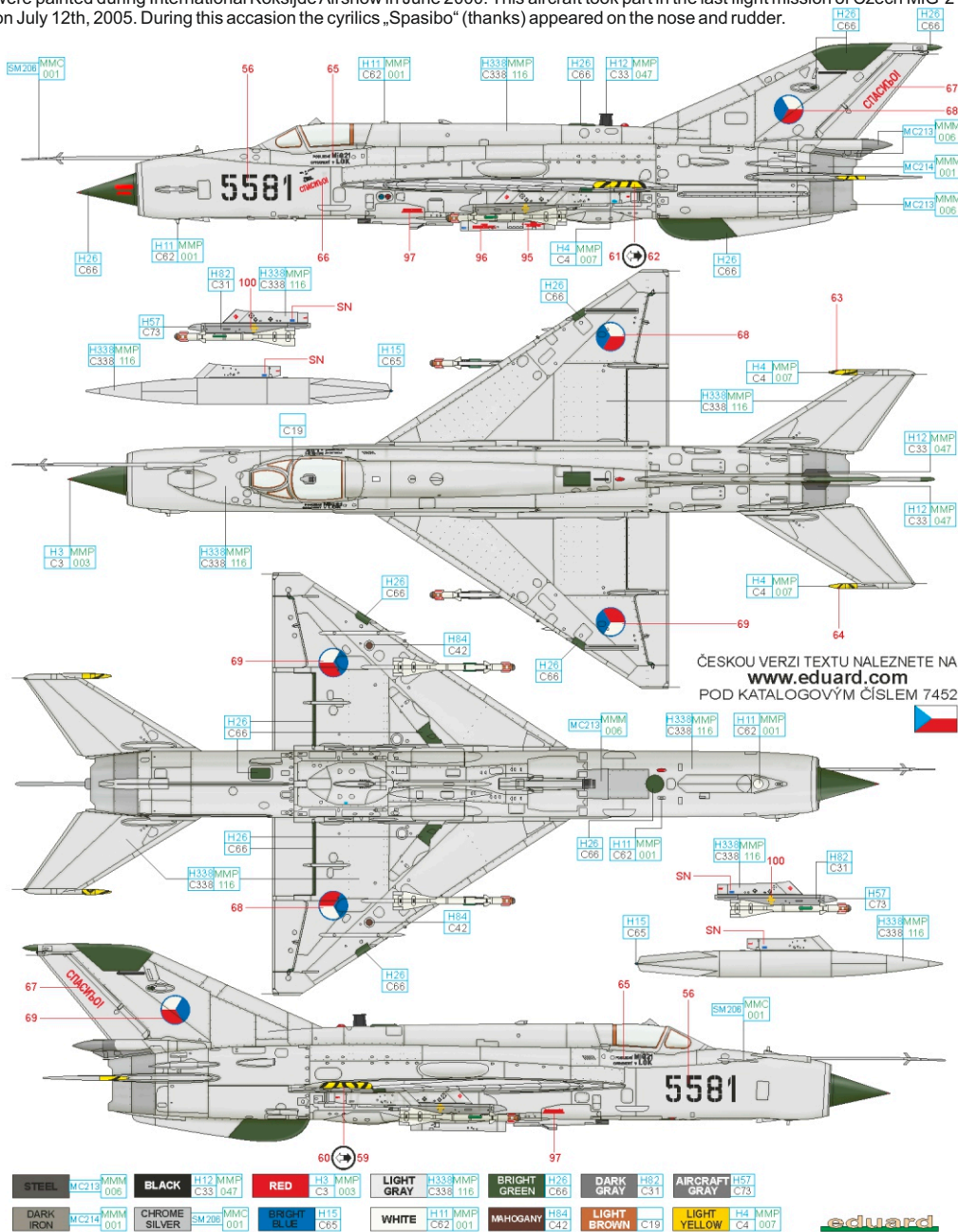
This aircraft was one of ten chosen for upgrade to MFN standard in 1999 - 2000. It was accepted by the Czechoslovak Air Force on July 2nd, 1975. It began service with the 1st slp (Fighter Air Regiment), and later served with the 9th slp, 9th sbolp (Fighter-Bomber Air Regiment), 82nd ssll (Independent Fighter Squadron) and by 1993 was based at Pilsen-Line. In 1999 it was upgraded to MFN standard. The striking Tiger motifs were added in October 2002 on the occasion of celebrating 45 years of Caslav Air Base. The fuselage bears the inscription of the 22nd slp in honor of that units stationing there in the fifties. The aircraft was retired at the end of May 2005.



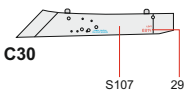


ČESKOU VERZI TEXTU NALEZNETE NA
www.eduard.com
POD KATALOGOVÝM ČÍSLEM 7452

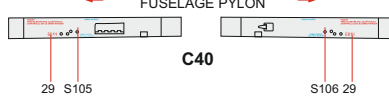
This MiG was manufactured as MiG-21MF c/n 96005581 by Gorky factory on August 1st, 1975. From August 17th, 1975 was flown by 1st Fighter Regiment in Ceske Budějovice. In May 1989 was overhanded to 8th slp (Fighter Regiment) and found its home in Brno. The 8th slp was disbanded on May 1st, 1991 and the new operator of this aircraft became 82nd sslt (Independent Fighter Squadron) based in Mosnov air base. In August 1993 the aircraft was put of the service and stored at Line airfield. It returned to the service in 2000 when Letecke opravny Kbely upgraded it to the MFN standard. The new operator was 41st letka (Fighter Squadron) in Caslav air base (known under new designation as 211th taktická letka (Tactical Squadron)). The tiger colors were painted during International Koksijde Airshow in June 2000. This aircraft took part in the last flight mission of Czech MiG-21s on July 12th, 2005. During this occasion the cyrilics „Spasibo“ (thanks) appeared on the nose and rudder.



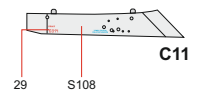
LEVÝ VNĚJŠÍ PALIVOVÝ PYLON
LEFT OUTSIDE UNDERWING TANK PYLON



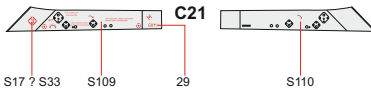
PODTRUPOVÝ PYLON
FUSELAGE PYLON



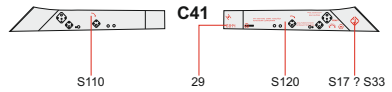
PRAVÝ VNĚJŠÍ PALIVOVÝ PYLON
RIGHT OUTSIDE UNDERWING TANK PYLON



LEVÝ VNĚJŠÍ PYLON
LEFT OUTSIDE PYLON



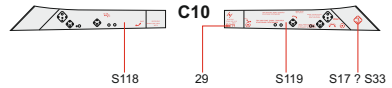
PRAVÝ VNĚJŠÍ PYLON
RIGHT OUTSIDE PYLON



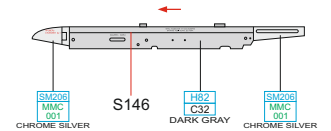
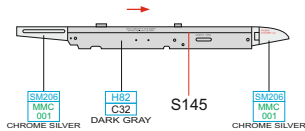
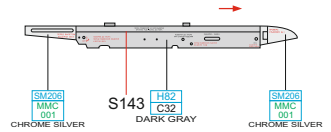
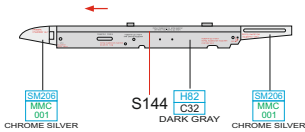
LEVÝ VNITŘNÍ PYLON
LEFT INSIDE PYLON



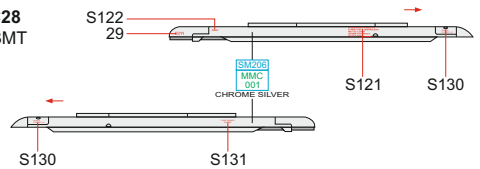
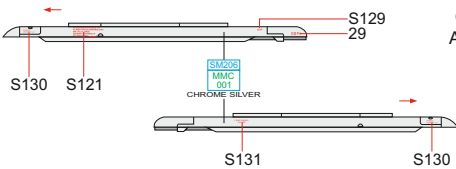
PRAVÝ VNITŘNÍ PYLON
RIGHT INSIDE PYLON

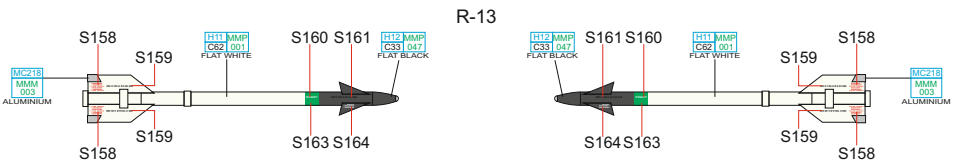
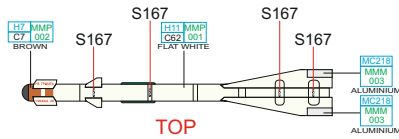
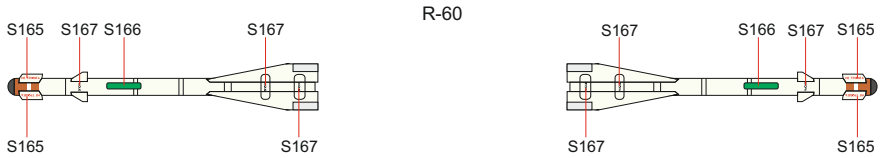
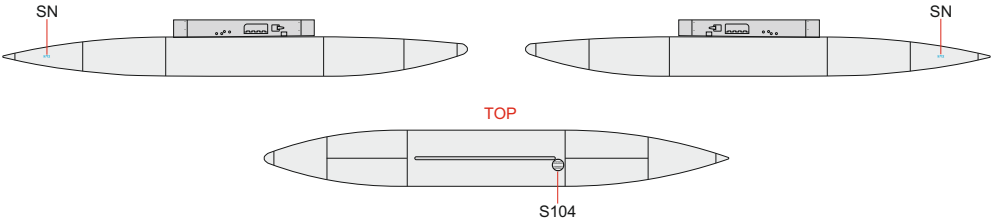
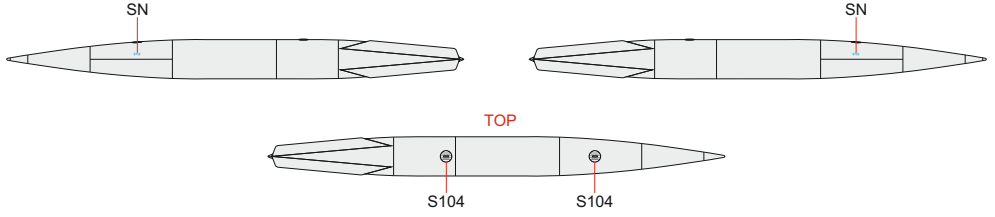


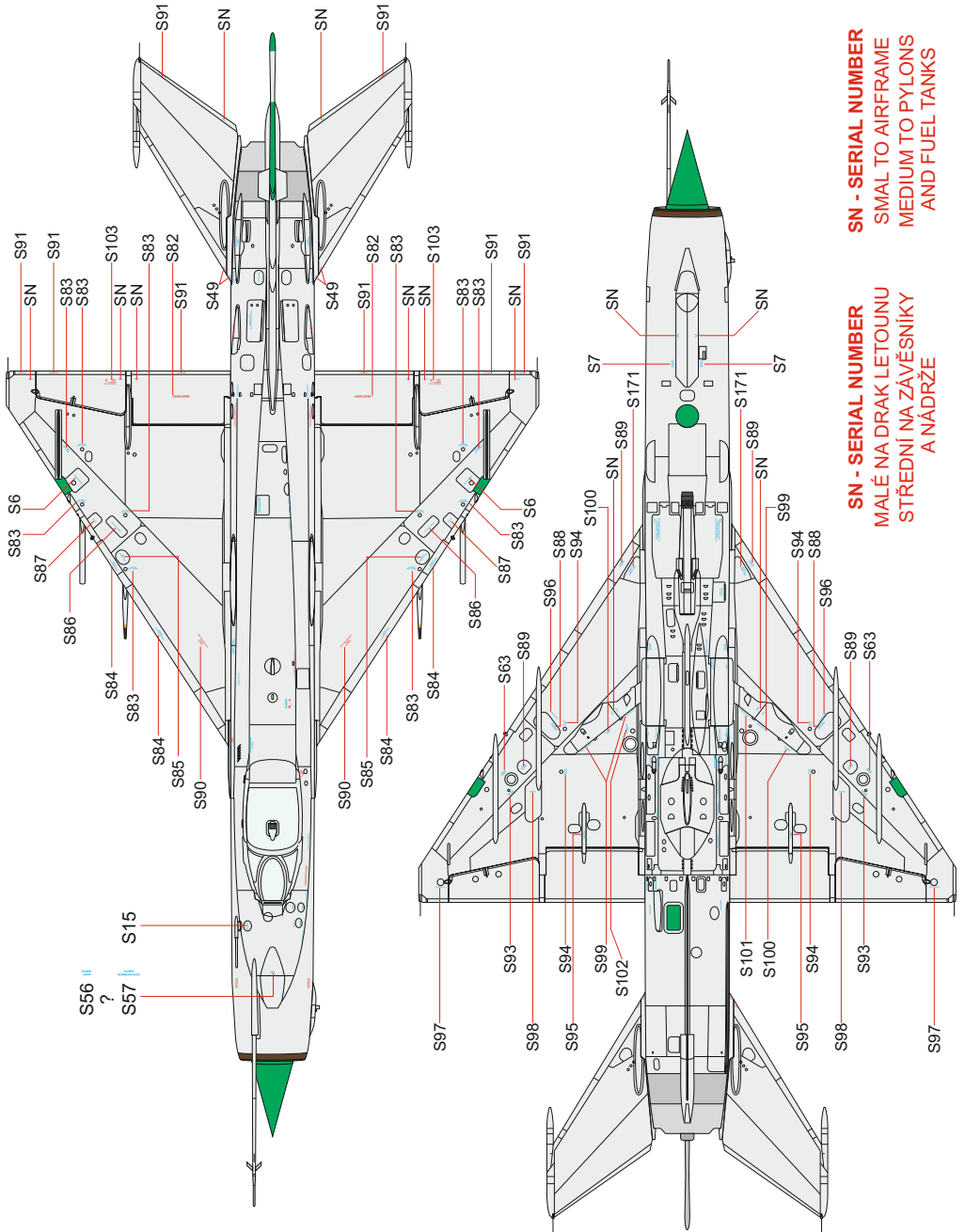
C6, C39
APU FOR R-60



C23, C28
APU-13MT







SN - SERIAL NUMBER
SMAL TO AIRFRAME
MEDIUM TO PYLONS
AND FUEL TANKS

SN - SERIAL NUMBER
MALÉ NA DRÁK LETOUNU
STŘEDNÍ NA ZÁVĚŠNÍKY
A NÁDRŽE

