

# Bell X-22 V/STOL

## 1/72 scale resin model kit

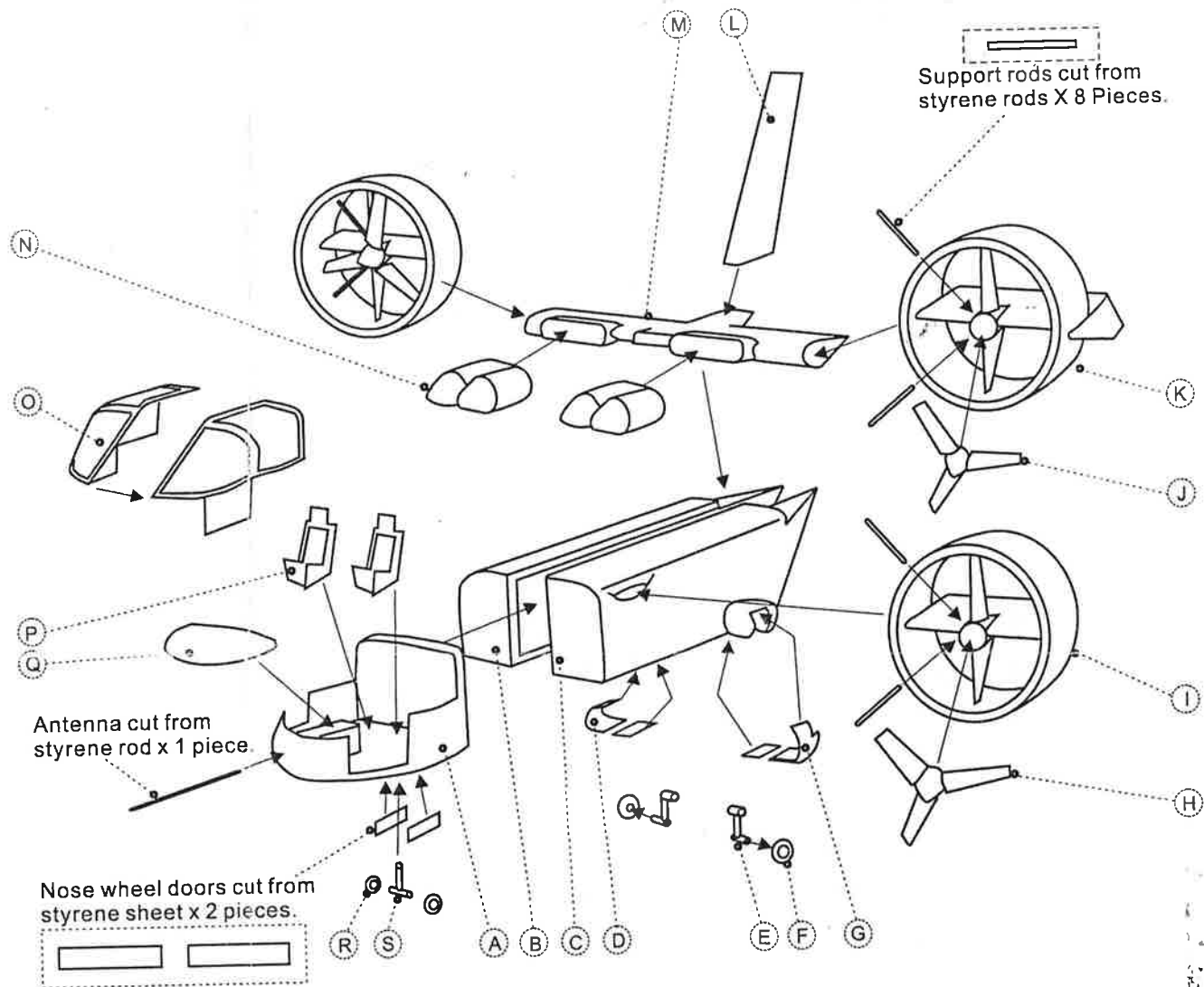
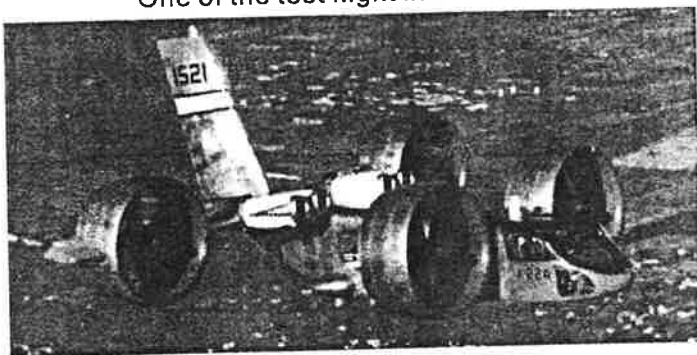
### #AA-2002

The X-22 was developed by U.S. Navy as a V/STOL research aircraft that is the Tri-Service V/STOL transport program that addressed needs of the Army, Navy and Air Force. The basic configuration of the X-22 was four ducted fans that could rotate together between vertical and horizontal positions for the various flight modes. Its design that could fit on carrier elevators and the duct around the four props would provide a safety benefit to personnel working in ship's flight deck. The first X-22 flew in March 1966 and was damaged on its 15<sup>th</sup> flight in August 1966. The remaining parts were used to complete the second X-22 that flew in January 1967, completed 228 flights until October 1984. Now it display on Niagara Aerospace Museum at Niagara Falls, NY.

#### Specifications:

Wingspan- 11.3m  
 Length- 12.0m  
 Height- 6.9m  
 Power- 4x General Electric YT58-GE-8B/D  
 Crew- 2  
 Max speed- 255mph

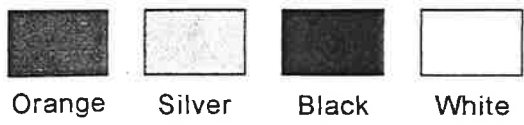
One of the test flight in west NY



- |                              |                                      |
|------------------------------|--------------------------------------|
| (A) Nose x 1                 | (K) Rear propeller duct x 2          |
| (B) Right fuselage x 1       | (L) Fin x 1                          |
| (C) Left fuselage x 1        | (M) Main wing x 1                    |
| (D) Left main gear door x 1  | (N) Engine x 2                       |
| (E) Main landing gear x 2    | (O) Canopy (transparent blister) x 1 |
| (F) Main wheel x 2           | (P) Pilot seat x 2                   |
| (G) Right main gear door x 1 | (Q) Dashboard x 1                    |
| (H) Front propeller x 2      | (R) Nose wheel x 2                   |
| (I) Front propeller duct x 2 | (S) Nose landing gear x 1            |
| (J) Rear propeller x 2       |                                      |

**ANIGRAND**  
 CRAFTSWORK

Po Box 40, Texaco Road,  
 Tsuen Wan, NT., Hong Kong.  
 E-mail: anigrand@email.com  
 Web: www.geocities.com/anigrand



*Painting & Decals*

