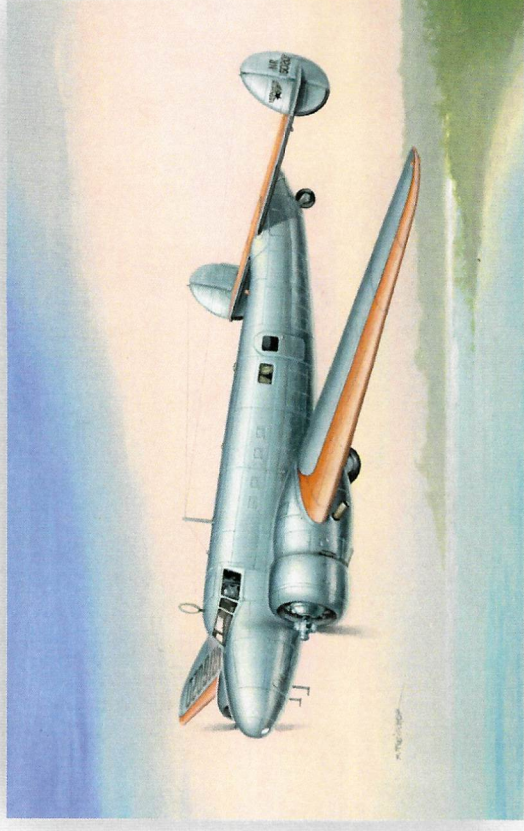
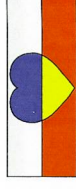


# LOCKHEED L-10 ELECTRA

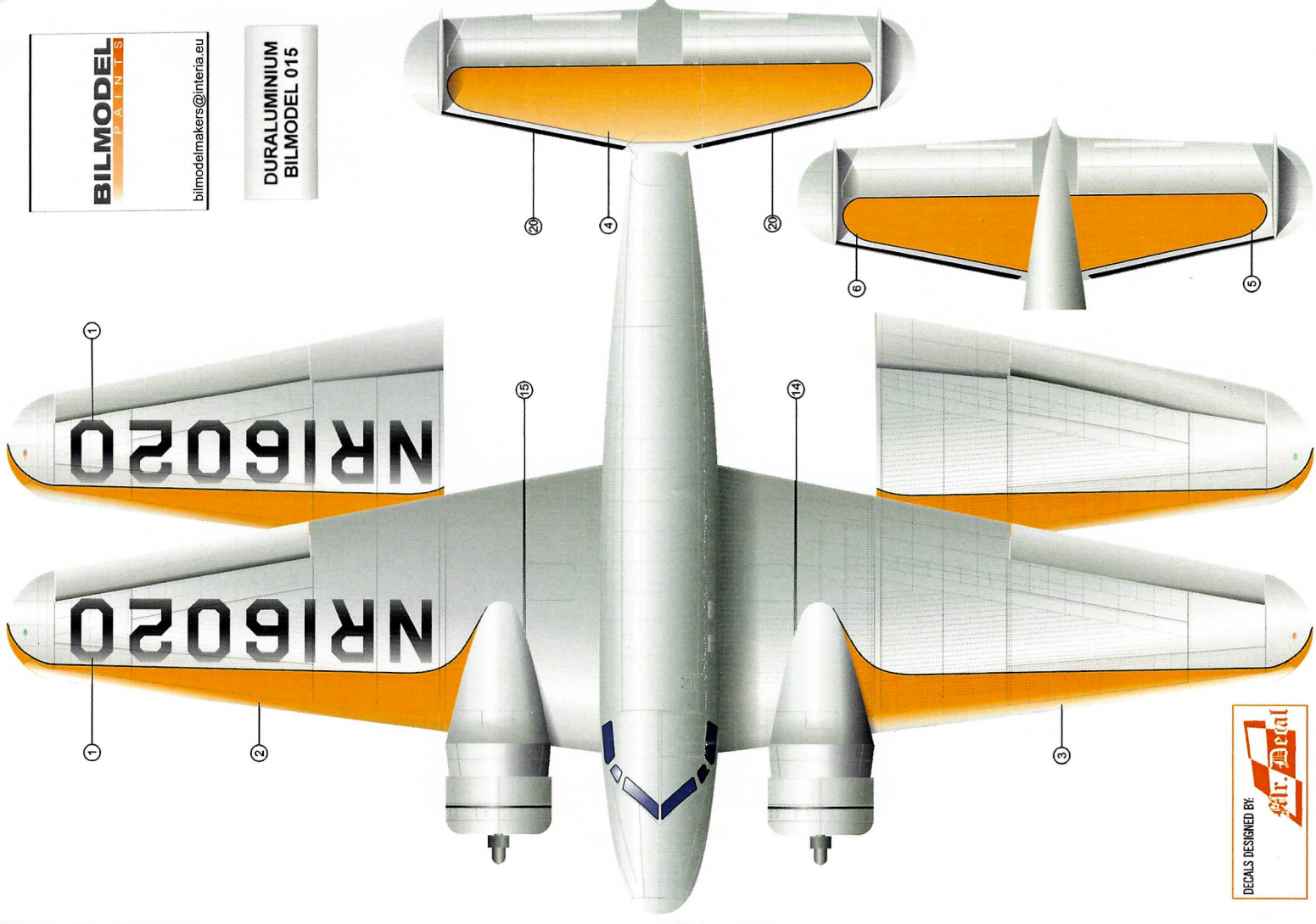
Amelia Earhart 1937



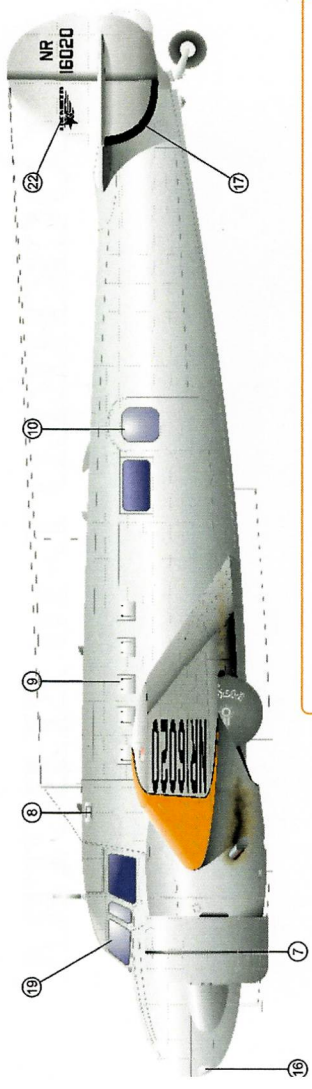
Amelia Earhart's Lockheed Electra 10E Special,  
NR16020, 1937.



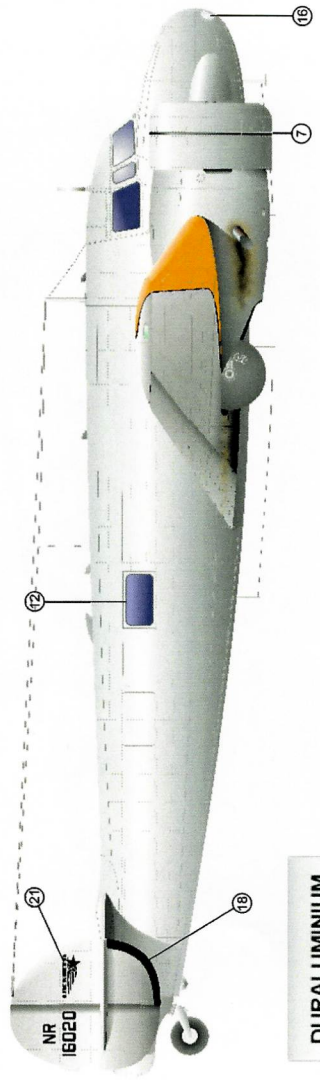
**KARAYA 144-31**



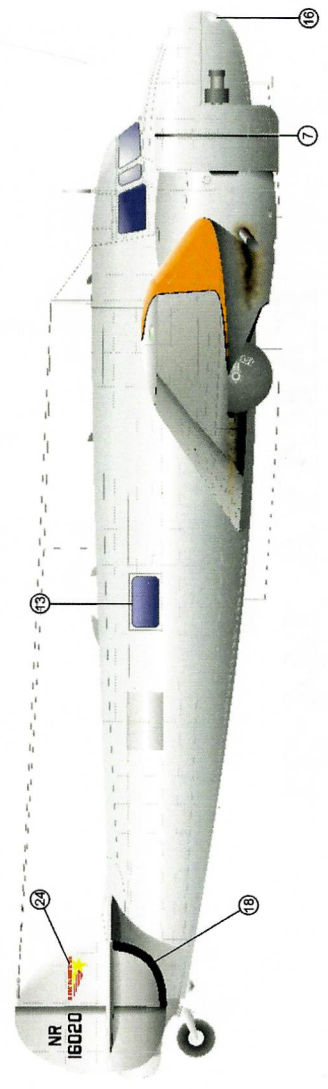
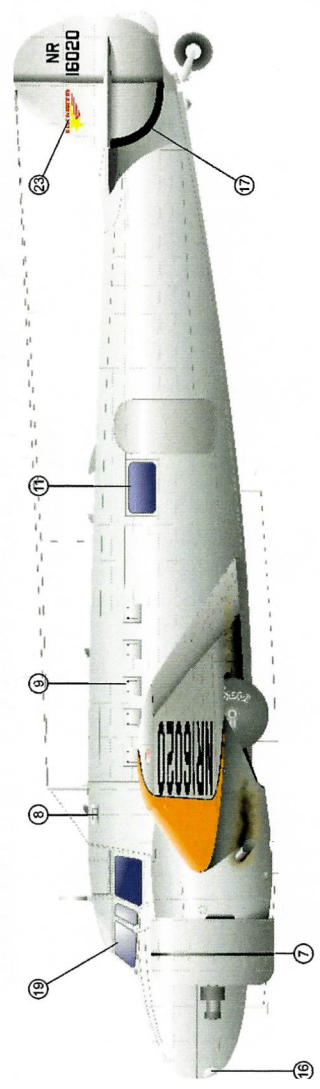
DECALS DESIGNED BY  
**Mr. Decal**



All windows should be putty, except those shown on decals.

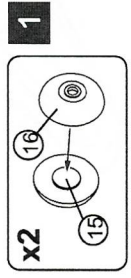
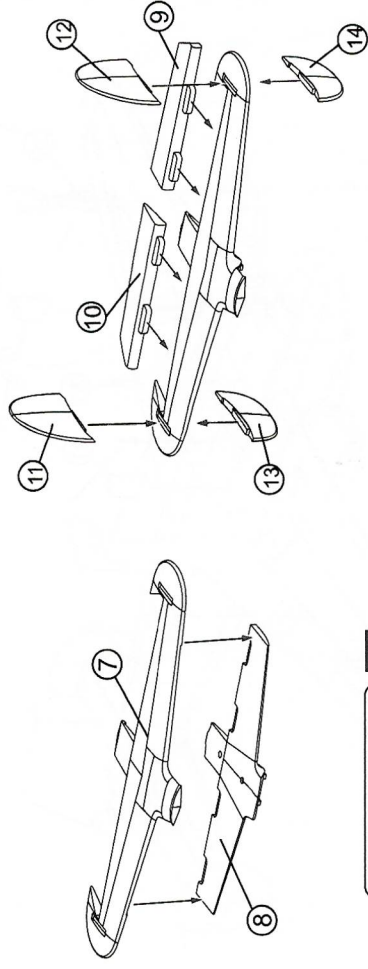
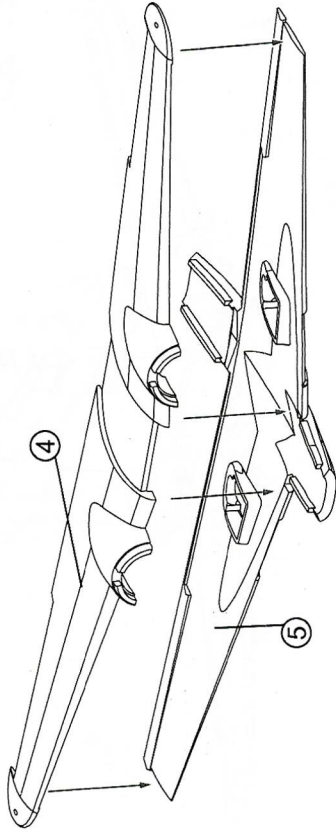
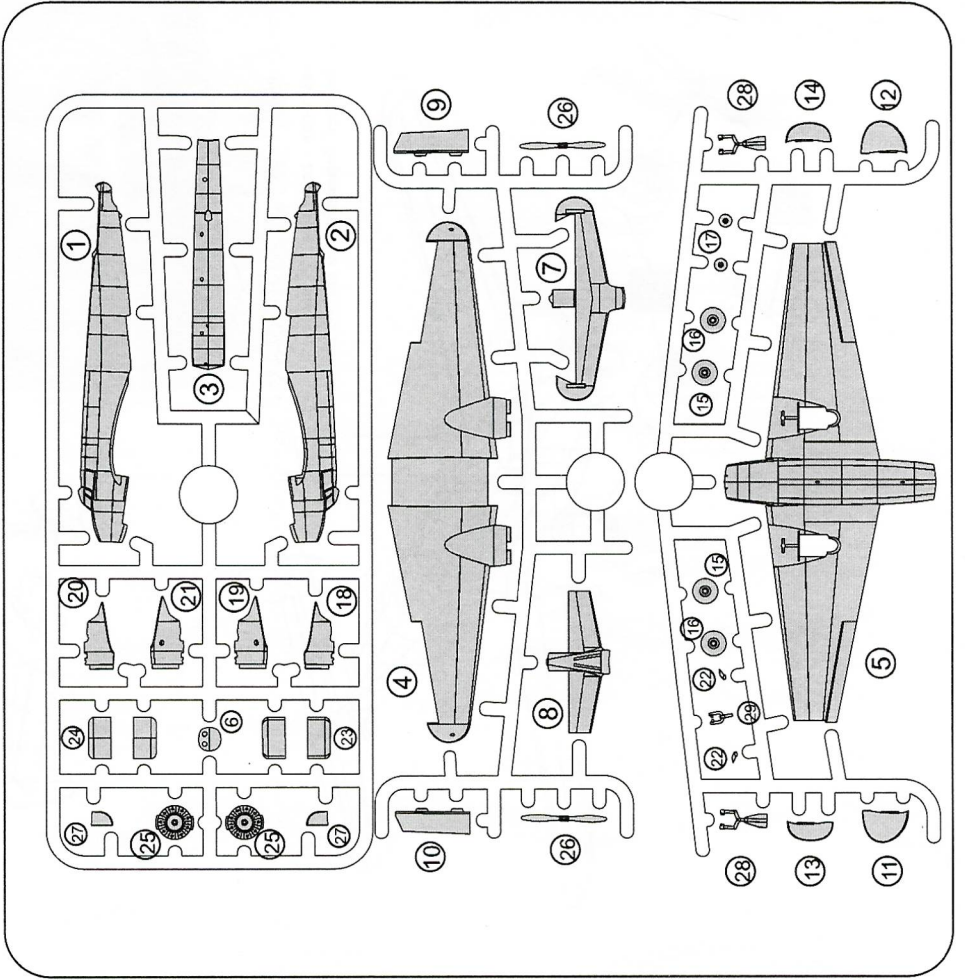
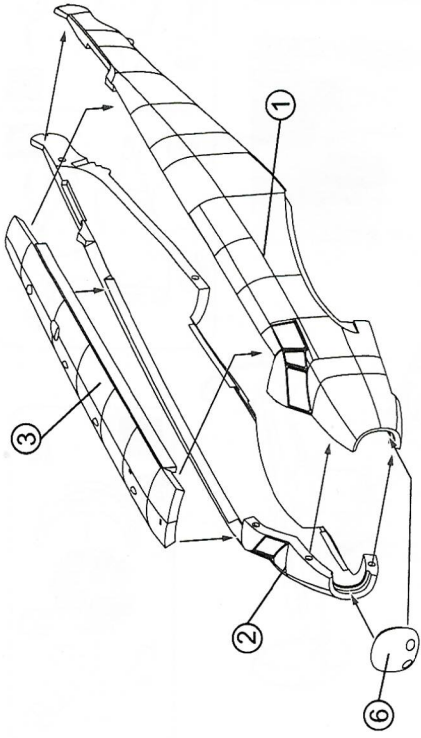
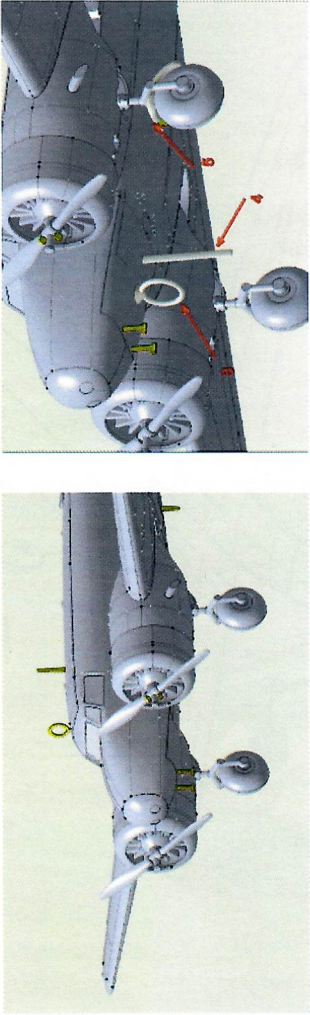


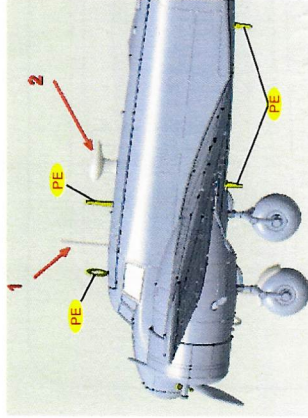
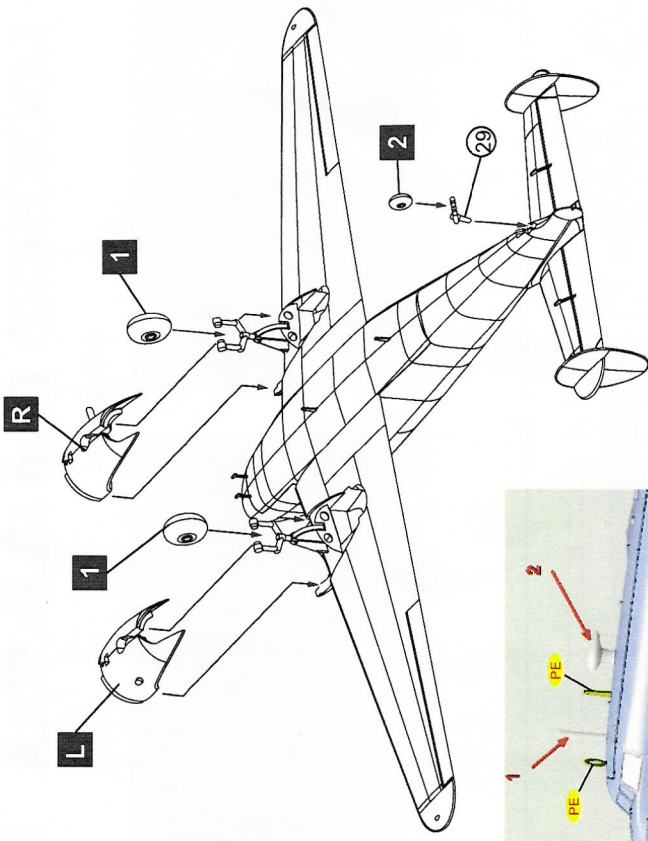
**DURALUMINIUM**  
BILMODEL 015



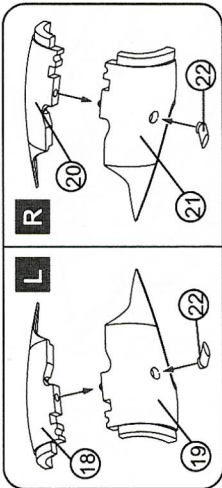
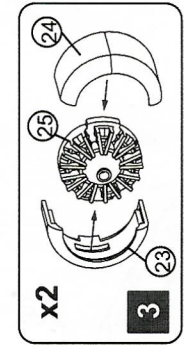
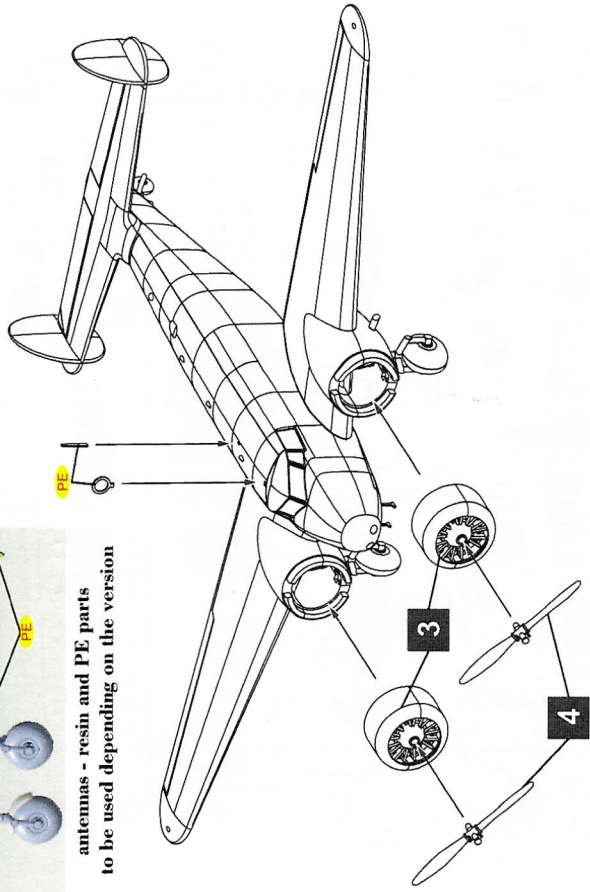
# LOCKHEED L-10 ELECTRA

SCALE 1/144





antennas - resin and PE parts to be used depending on the version



propeller spinner - resin parts option

