

E1	WHITE PART		PAINT & DECAL BEFORE PROCEEDING
S101	CLEAR PLASTIC PART		ALLOW GLUE TO DRY BEFORE PROCEEDING
1	STEP / SUB-ASSEMBLY	X2	REPEAT ASSEMBLY
	DO NOT GLUE		

GENERAL ASSEMBLY: This highly detailed kit features precision-tooled parts for ease of assembly, but care and patience must be exercised to achieve optimal results. It is recommended that the builder examine the instructions carefully and do a dry test fit of parts before applying liquid cement. You will find this very helpful, as it will allow you to gain a clear understanding of how the parts fit together in order to best plan painting and final assembly. In addition, it is important to note that clear parts are designed to cement in place from the backside of main parts. Windows that are to be painted black should be painted on the backside of the parts.

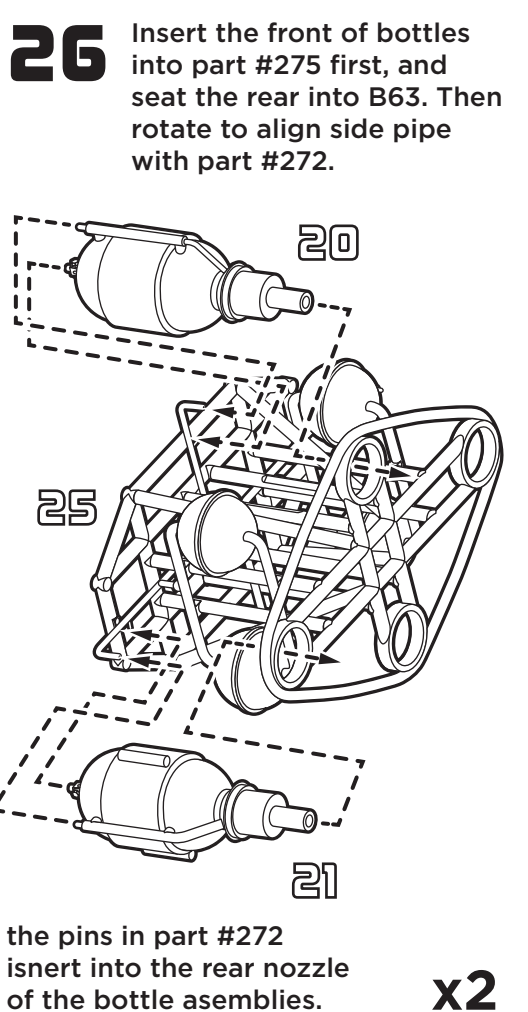
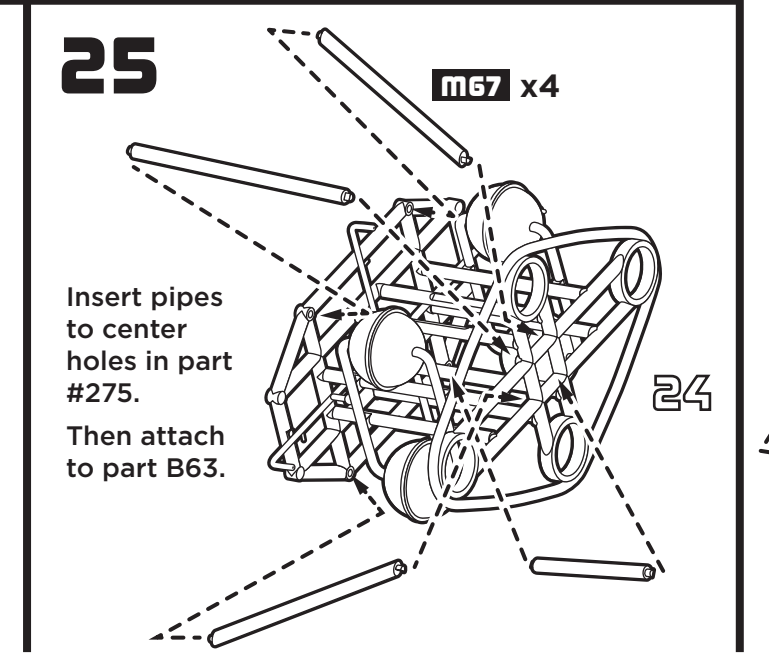
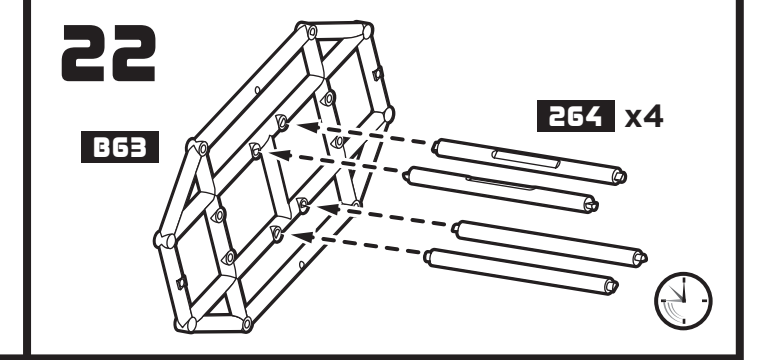
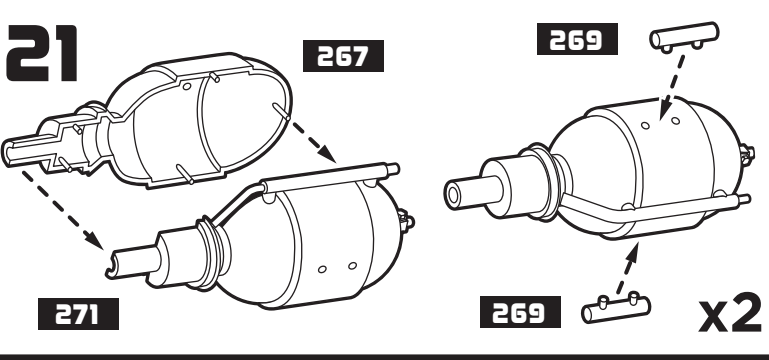
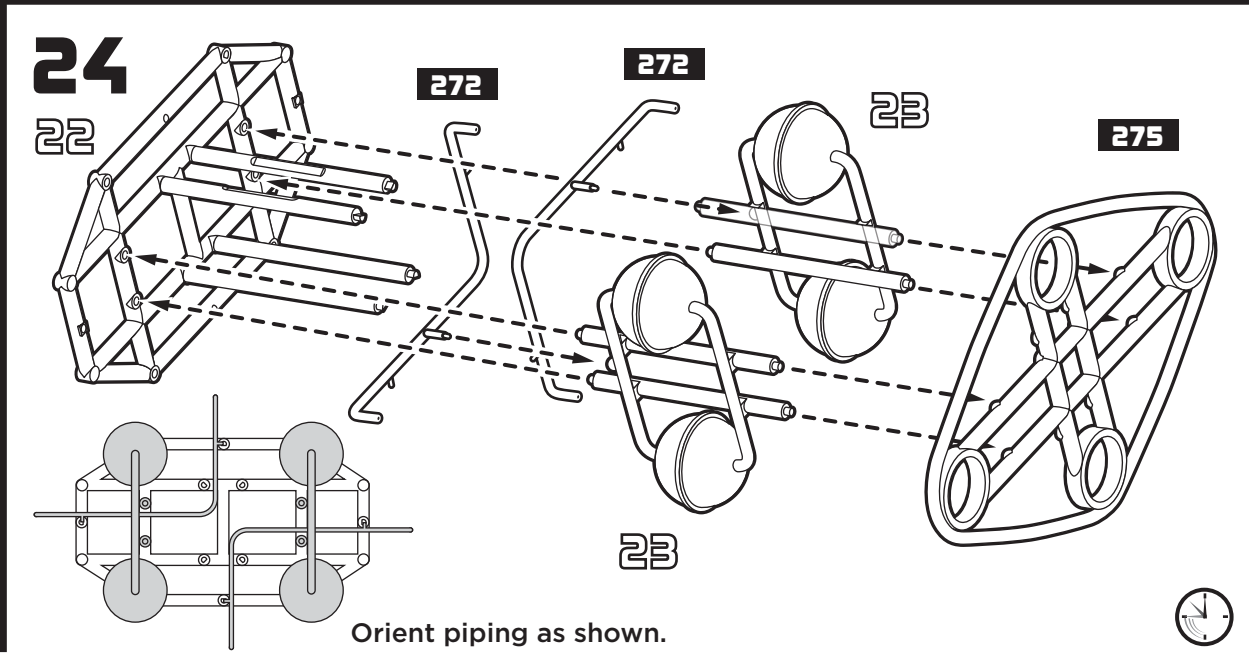
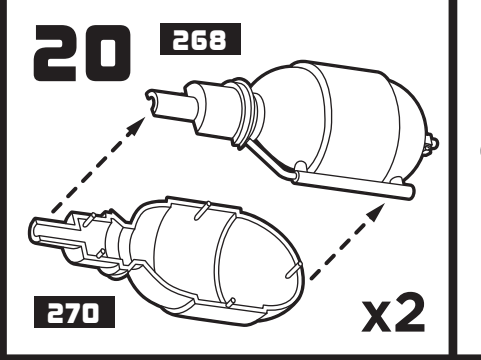
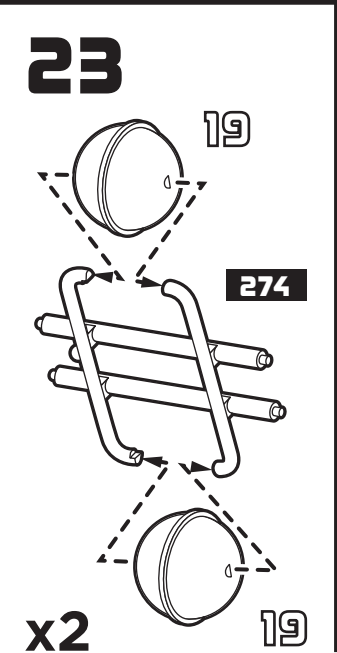
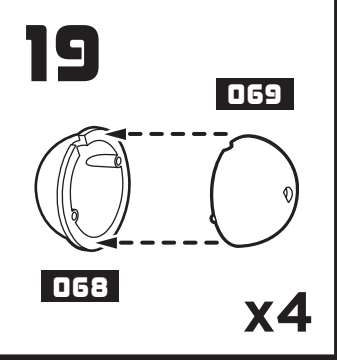
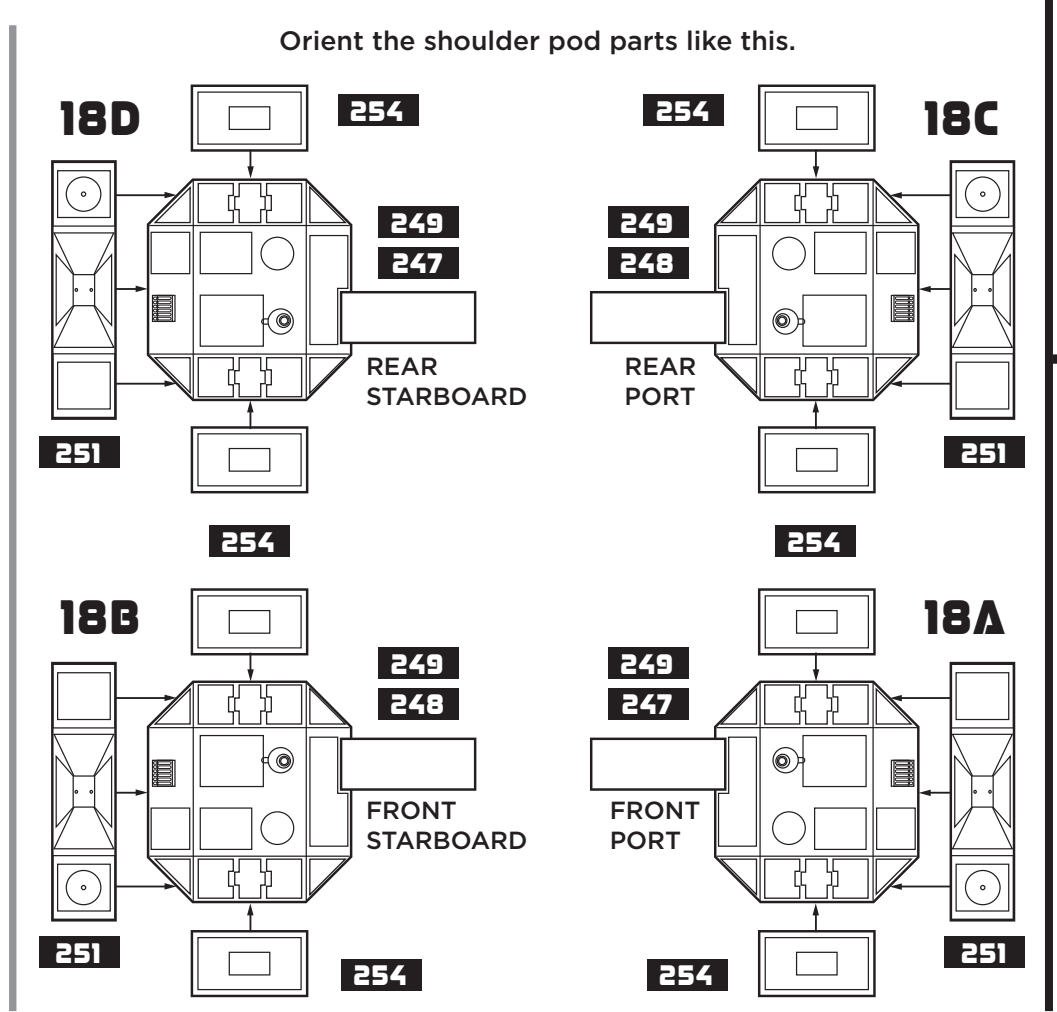
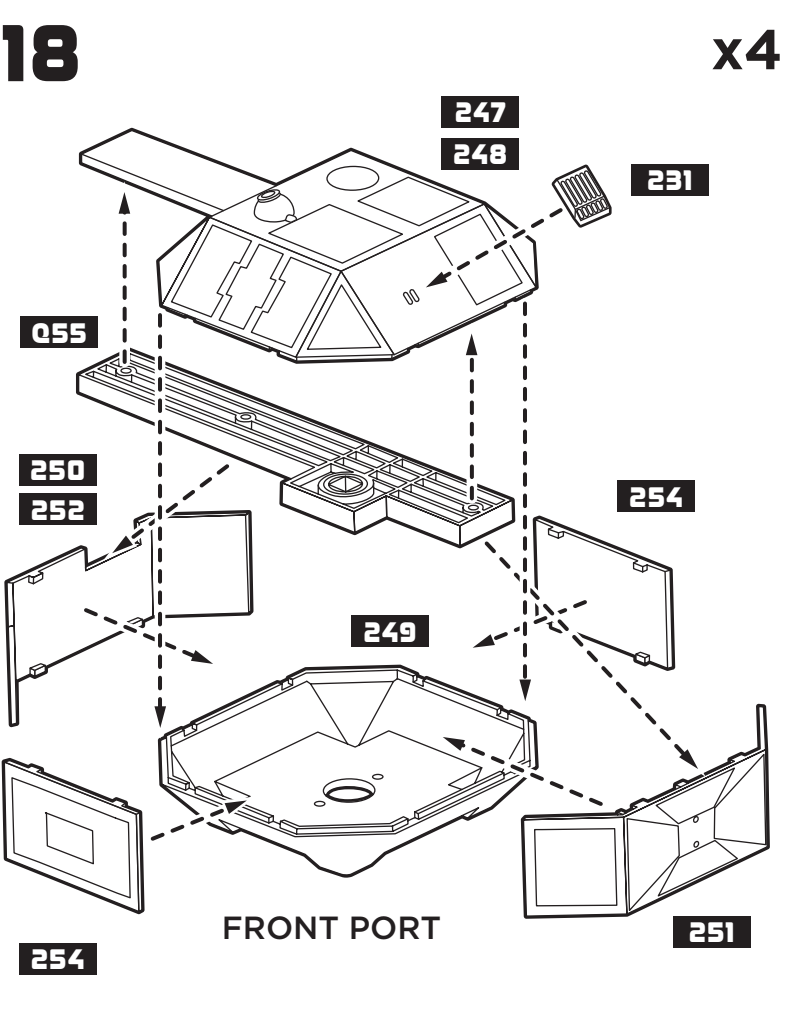
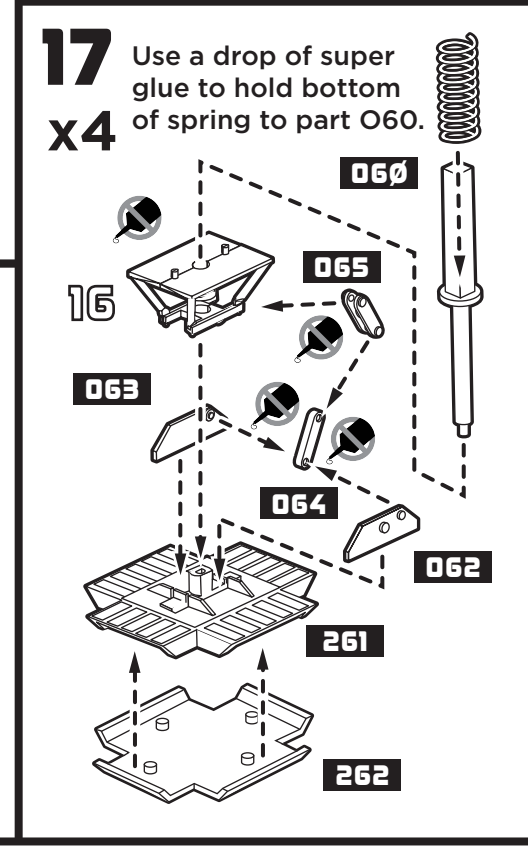
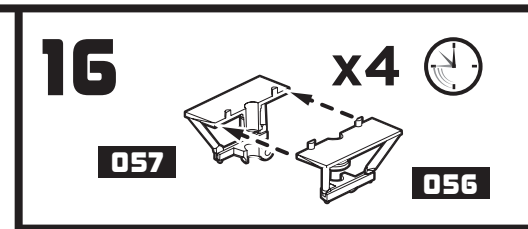
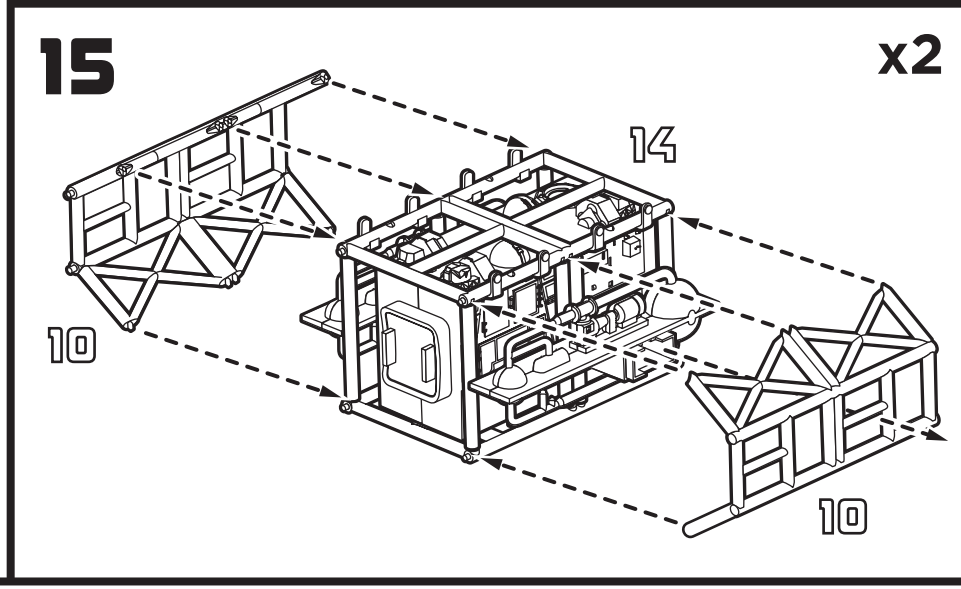
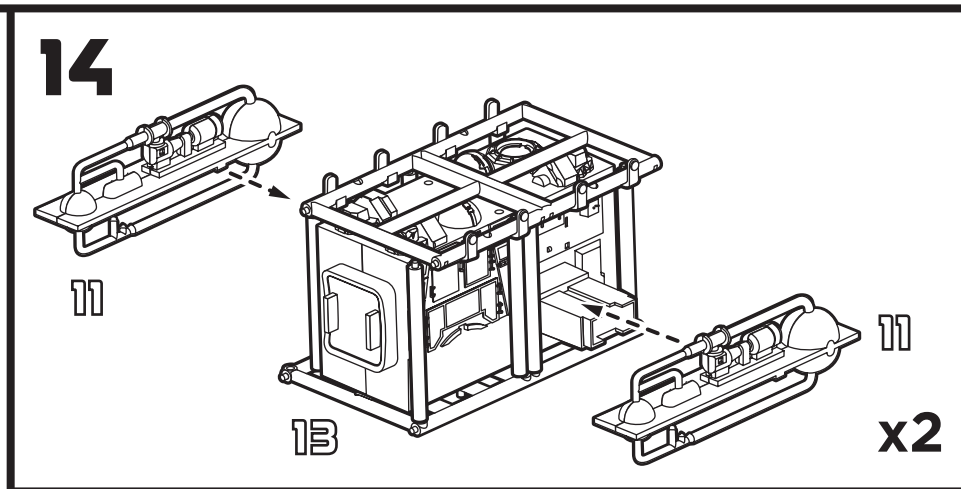
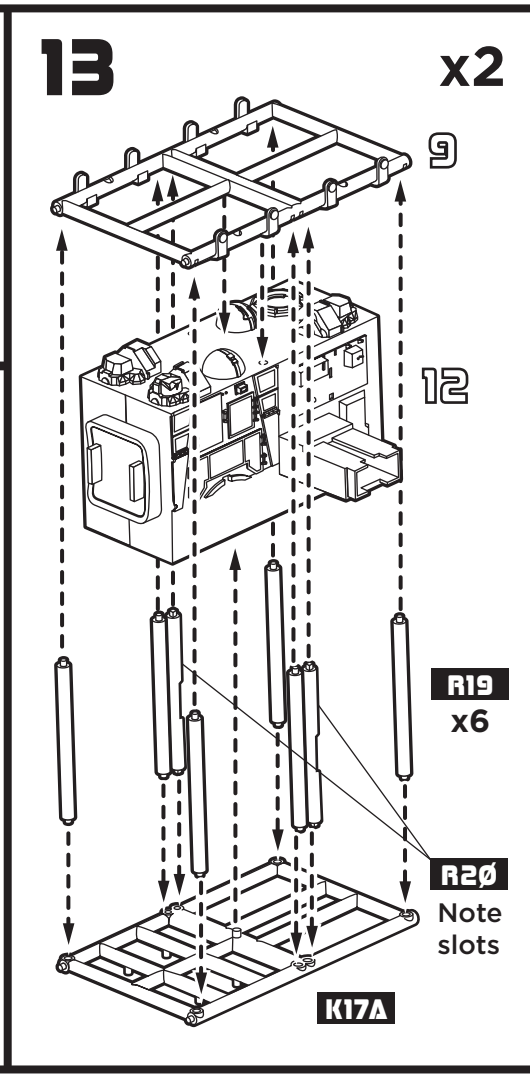
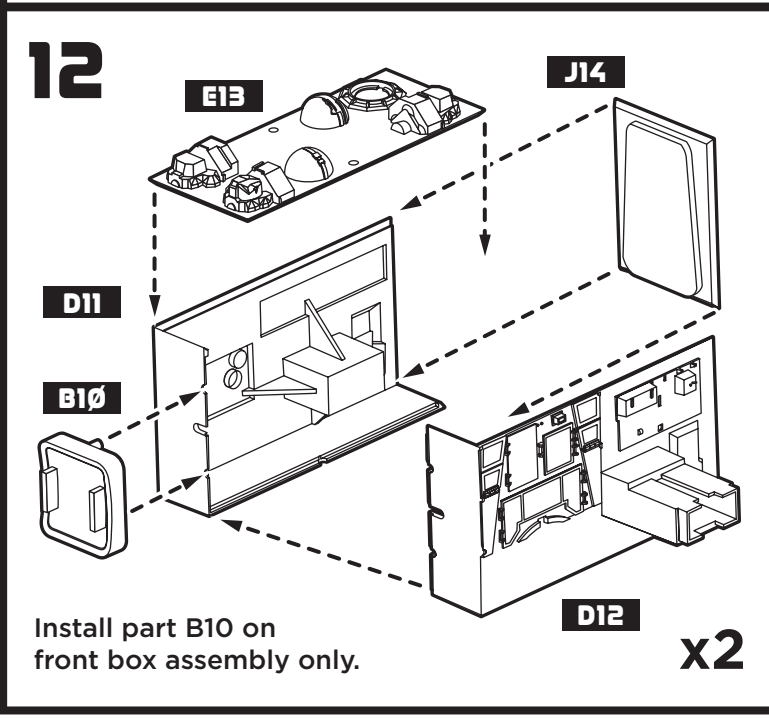
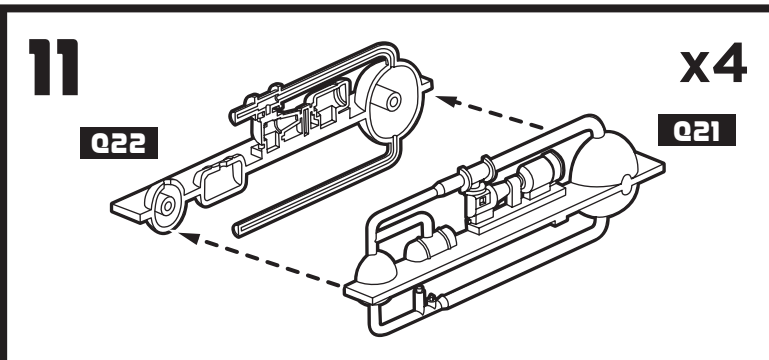
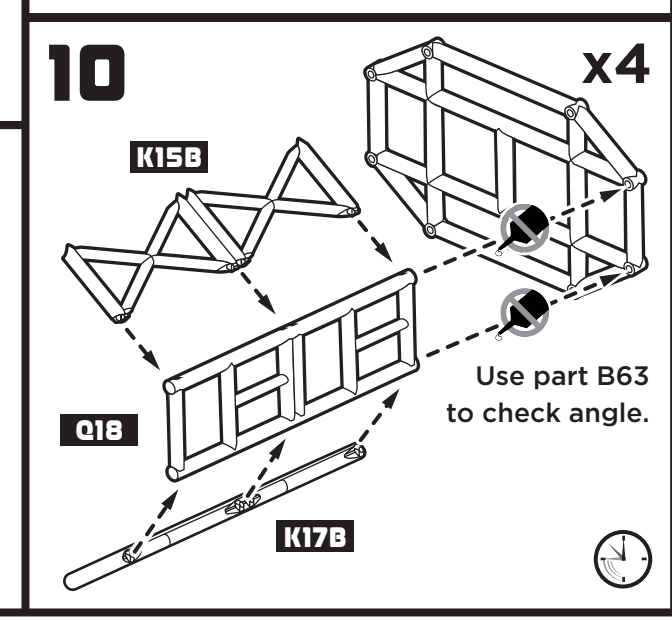
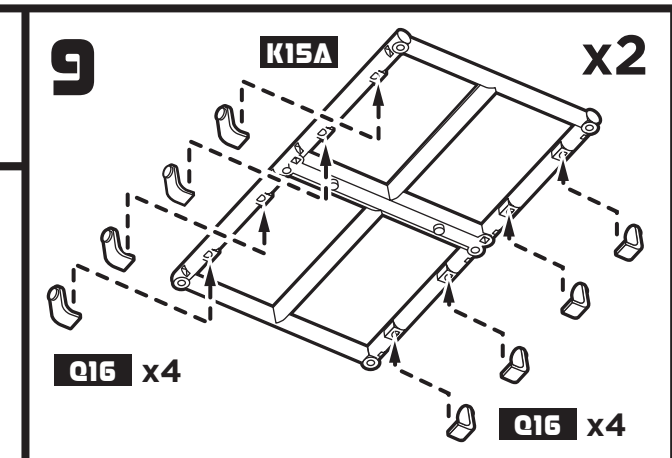
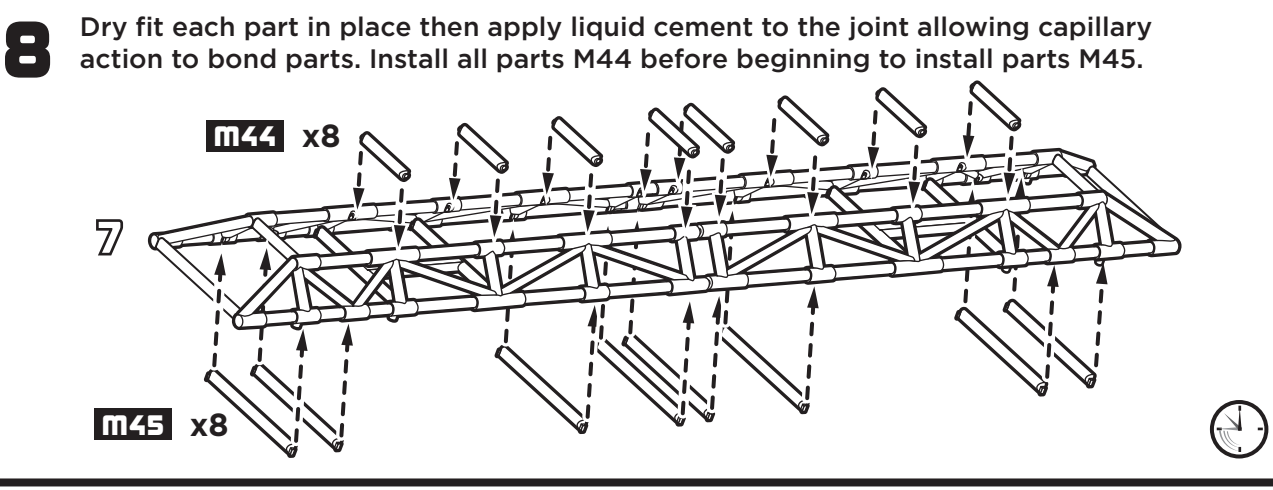
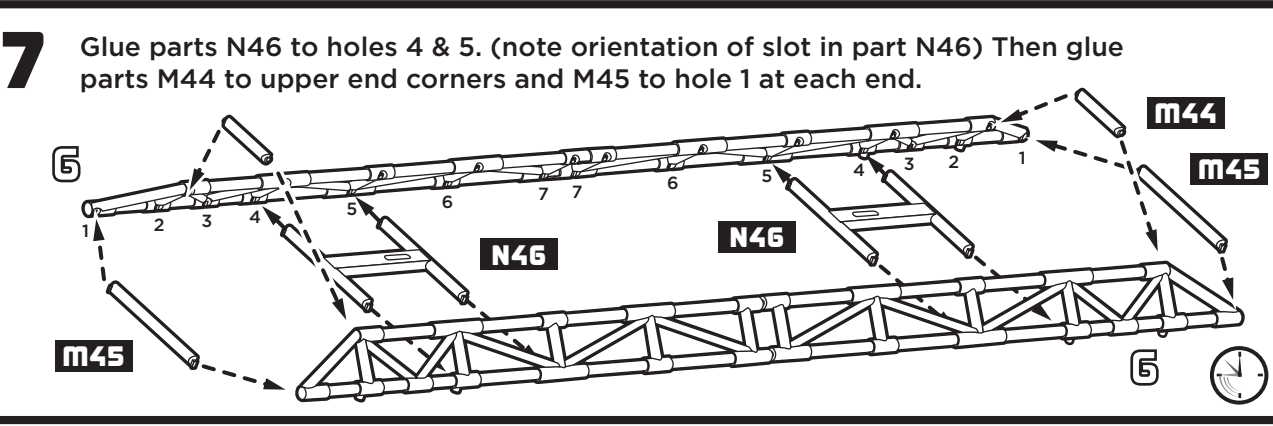
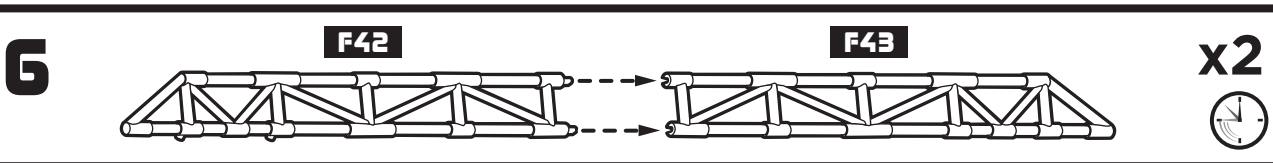
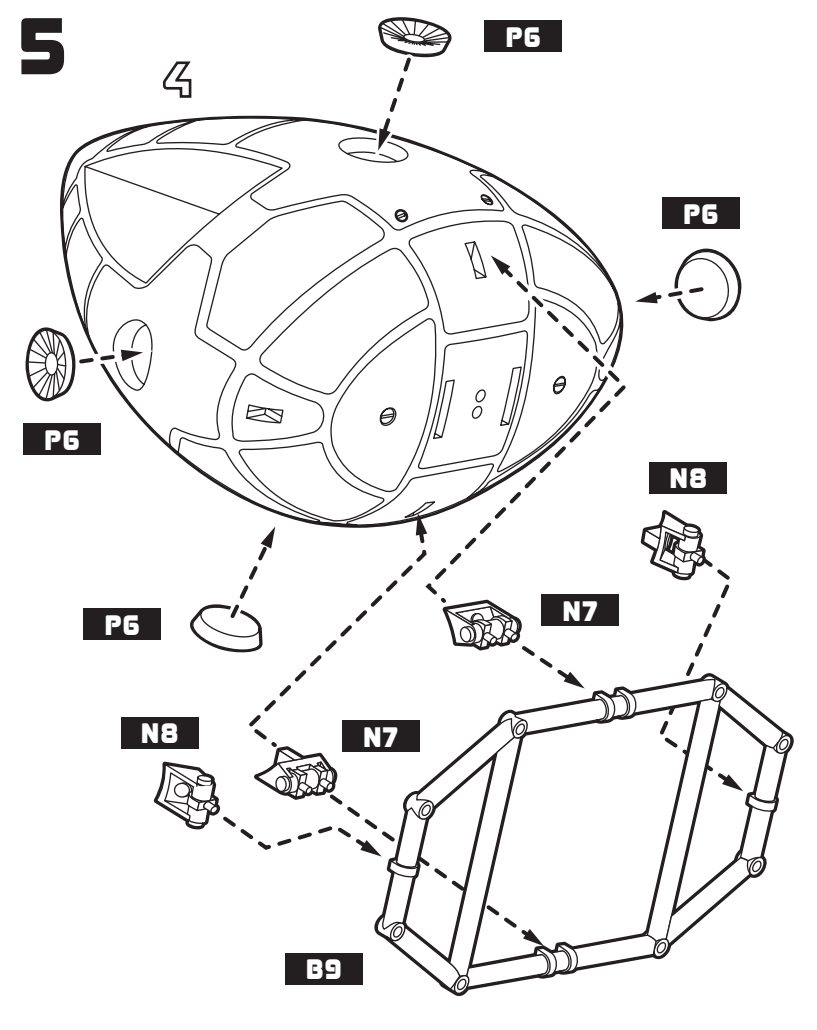
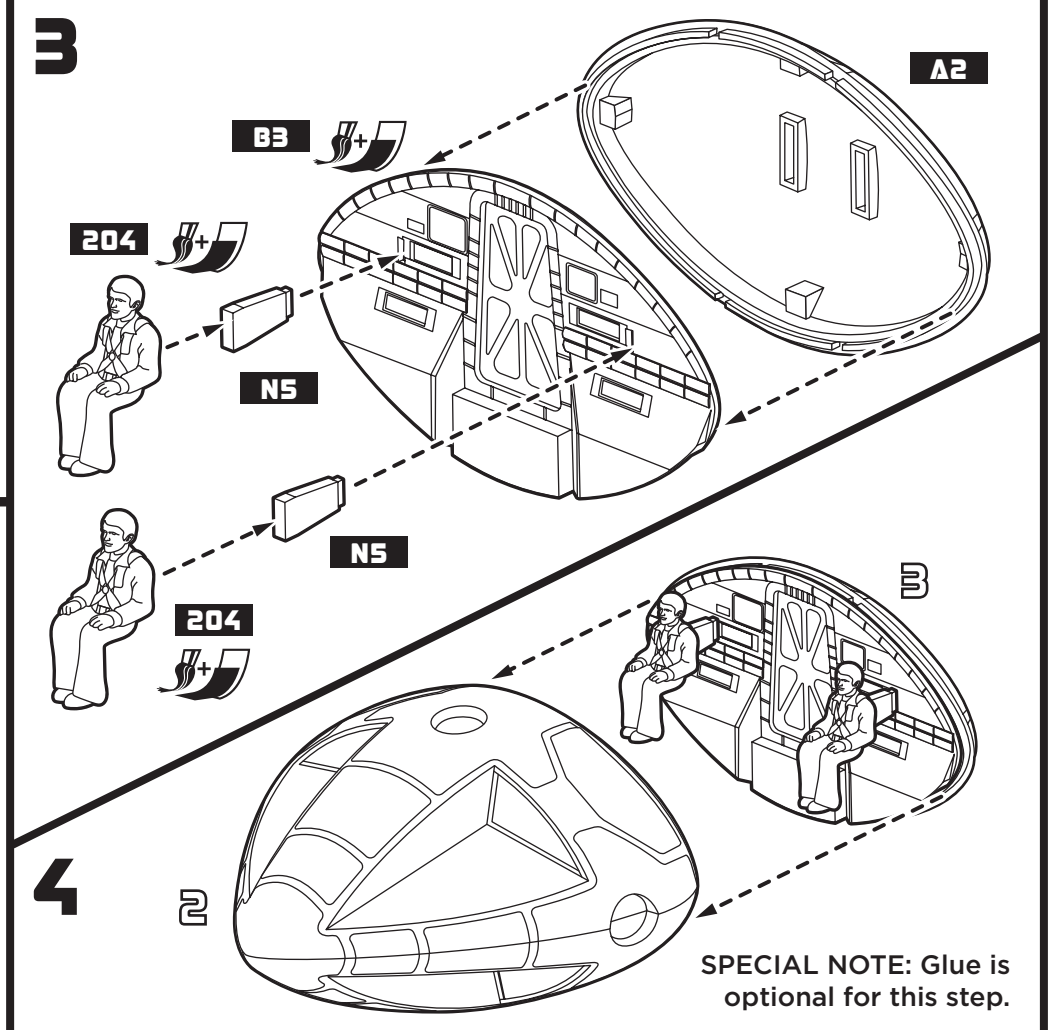
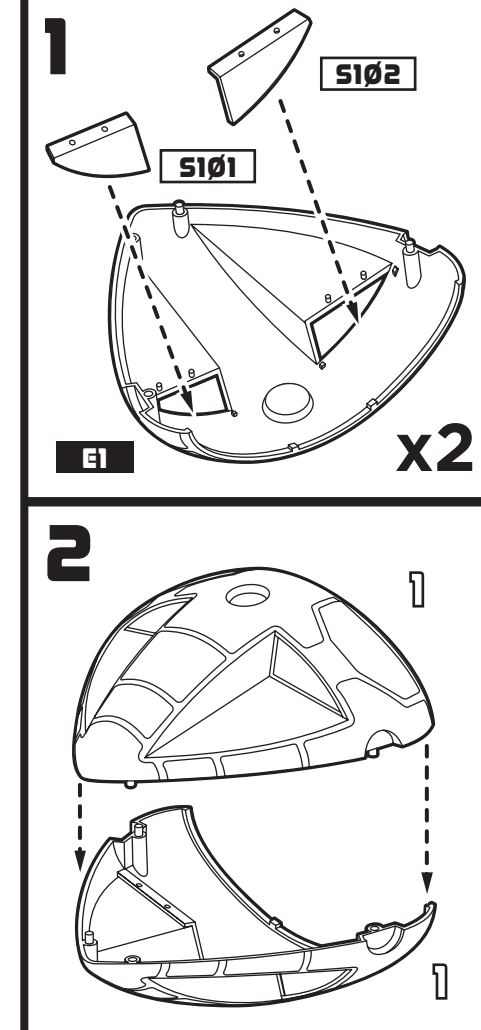
SUB-ASSEMBLIES: Note that this kit should be built in sub-assemblies. This makes building the kit far more manageable. It is very important to note that it is extremely advantageous to apply paint and decals to sub-assemblies before completing final assembly.

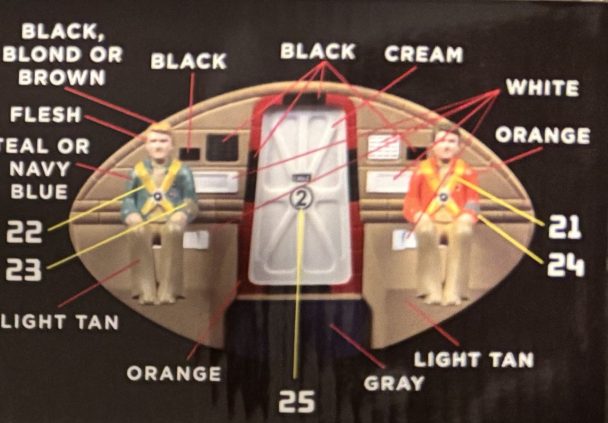
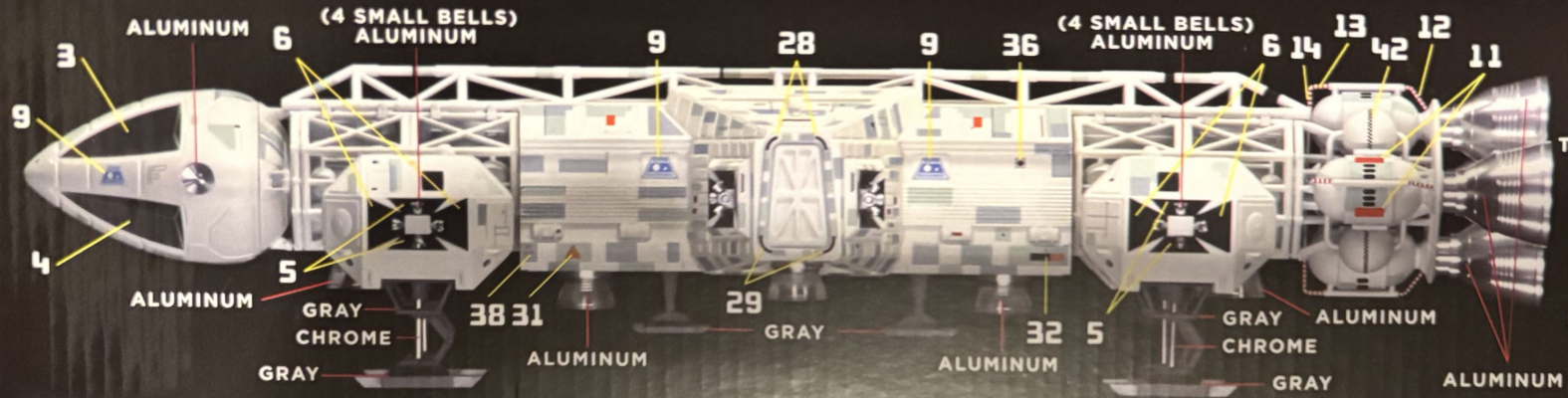
PAINT: The plastic color of the ship provides the best reference for the accurate color of the filming model. The sides of the box tray supply further instruction on paint and decal placement.

DECAL APPLICATION:

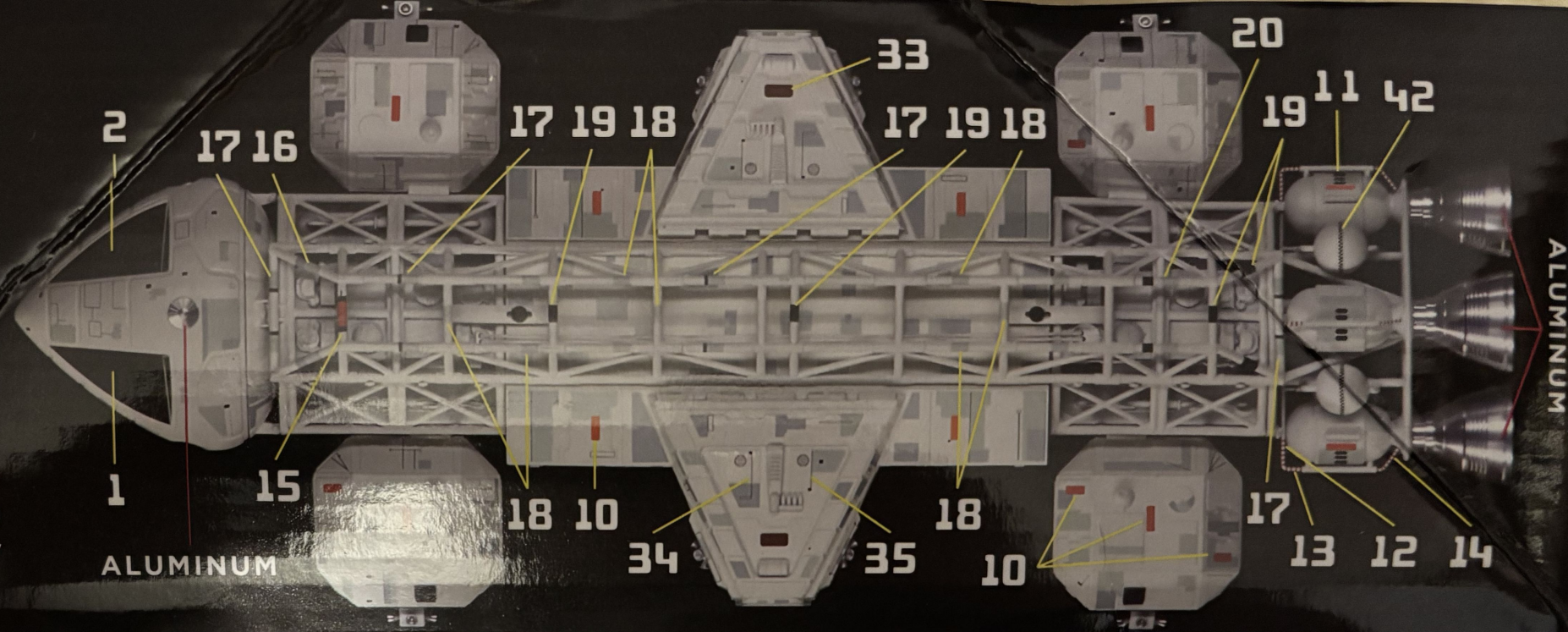
1. Cut the desired decal from the sheet.
2. Dry fit the trimmed decal to become familiar with its correct placement.
3. Dip the decal in water for 20-30 seconds. For best results, mix one drop of common dish washing detergent per cup of lukewarm water.
4. Place the wet decal on paper towel and wait 30-60 seconds until the decal is movable on paper backing.
5. Wet the area of the model the decals will be applied to.
6. Hold the decal face up, in position on model and slide backing away from under it.
7. Once positioned correctly, absorb excess water with a paper towel. Starting in the center of the decal, blot out air bubbles toward the edges with a soft damp cloth.
8. Troublesome air bubbles can be rubbed to the edge of the decal with a clean, soft paintbrush or simply puncture the decal with a sharp #11 blade. Air bubbles must be removed before the decal dries.
9. Let decals dry completely before handling or applying more decals next to or on top of previous work. It is best not to use heat to accelerate drying times as this may crack the decals, affect their adhesive or melt plastic parts!
10. After all decals are applied, a spray of dull coat is suggested to bury and protect the decals as well as hide surface imperfections and supply a lifelike final appearance to the model.

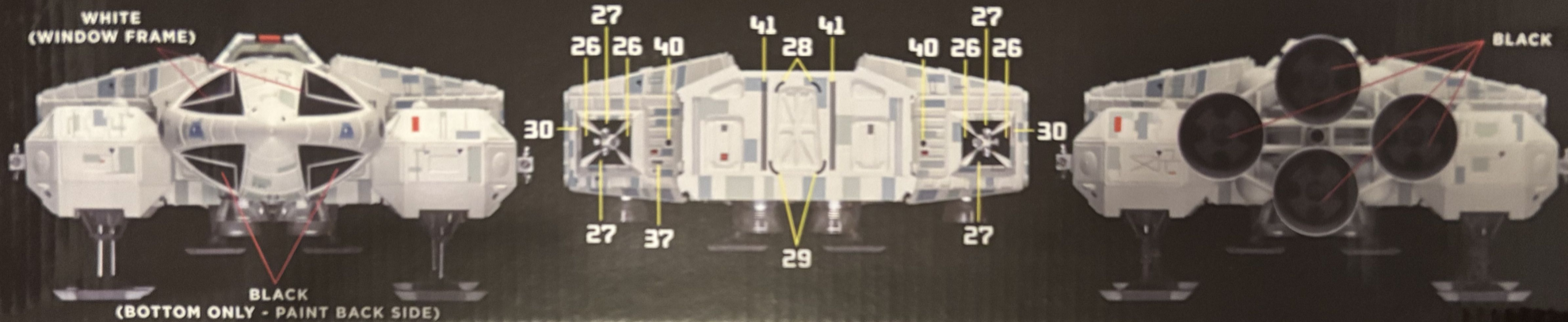
The kit has been engineered to incorporate optional upgrade parts featured in our Deluxe Accessory Set and Small Metal Parts Set that will deliver the utmost in the finish of the ship. See your model retailer or round2models.com for more info on these products. Available now!





Optional marking decals are included to be placed at the modeler's discretion. In most cases, similar markings are applied to both sides. Study diagrams closely.



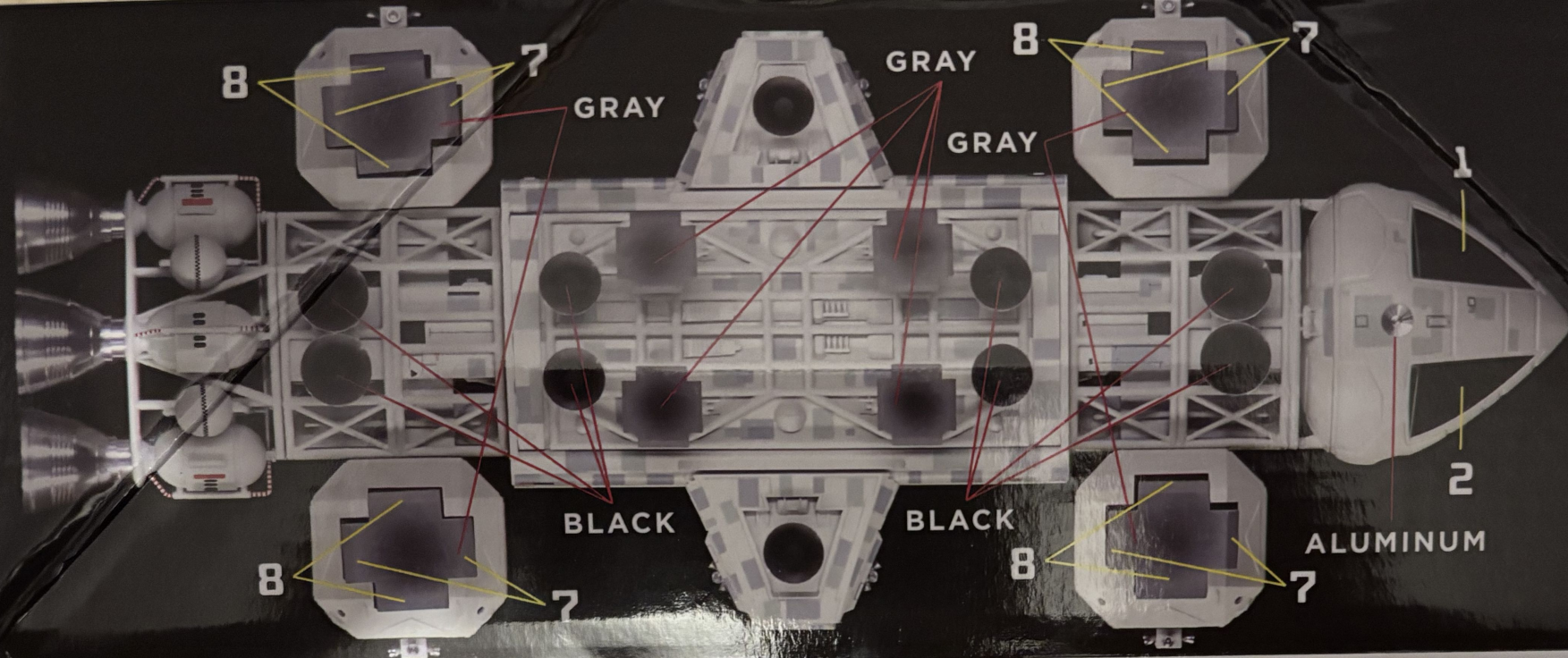


**WHITE
(WINDOW FRAME)**

**BLACK
(BOTTOM ONLY - PAINT BACK SIDE)**

27 26 26 40 41 41 27 27 26 26 30 30 27 37 29

BLACK



PLACE DECALS
#7 & #8 ON
BOTTOM OF
SHOULDER PODS

This kit's off-white plastic has been researched to supply a color that is extremely close to the white paint used on the filming miniatures. If the kit is to be painted, use the white plastic to match paint.