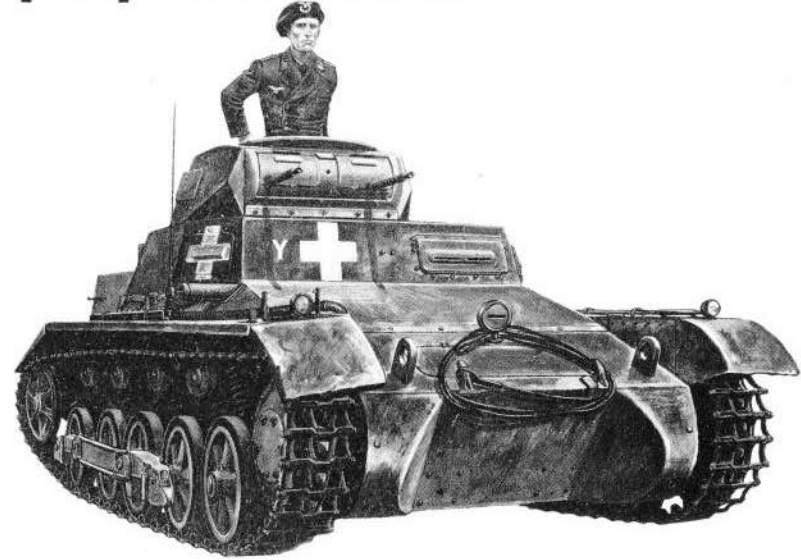


GERMAN TANK

pz. kpfw. I ausf. b.



SPECIFICATION

GENERAL

CREW: 2 MEN
 BATTLE WEIGHT: 6.4 TONS
 GROUND PRESSURE: 6.2 LBS/SQ. IN.

DIMENSIONS

LENGTH: 14.7 FT.
 HEIGHT: 5.8 FT.
 WIDTH: 6.10 FT.
 WIDTH OF TRACK: 11 IN.
 GROUND CLEARANCE: 11.6 IN.

ARMAMENT

TWO 7.9 MM. MG. 13 (DREYSE LIGHT MACHINE GUNS)

ENGINE

NL 38TR MAYBACH, 100 HP AT 3,000 RPM, 6 CYLINDERS IN-LINE, LIQUID-COOLED, COMPRESSION RATIO 6.7:1

PERFORMANCE

SPEED: 25 MPH ON ROAD
 CLIMBING ABILITY: 30° (57%) SLOPE
 TRENCH CROSSING ABILITY: 4.6 FT.
 FORDING DEPTH: 23.6 IN.
 FUEL CAPACITY: 39 GAL. (22 GAL. IN FORWARD TANK; 17 GAL. REAR TANK)
 RADIUS OF ACTION: 105 MILES ON ROAD;
 71 MILES CROSS-COUNTRY

1/72 SCALE

KIT 8024

A ≡ ≡ ≡ A 321 c 321

133 c 133 Y Y ≡

A ≡ ≡ ≡ 133° 133 ≡

c 1 1 110 c 110

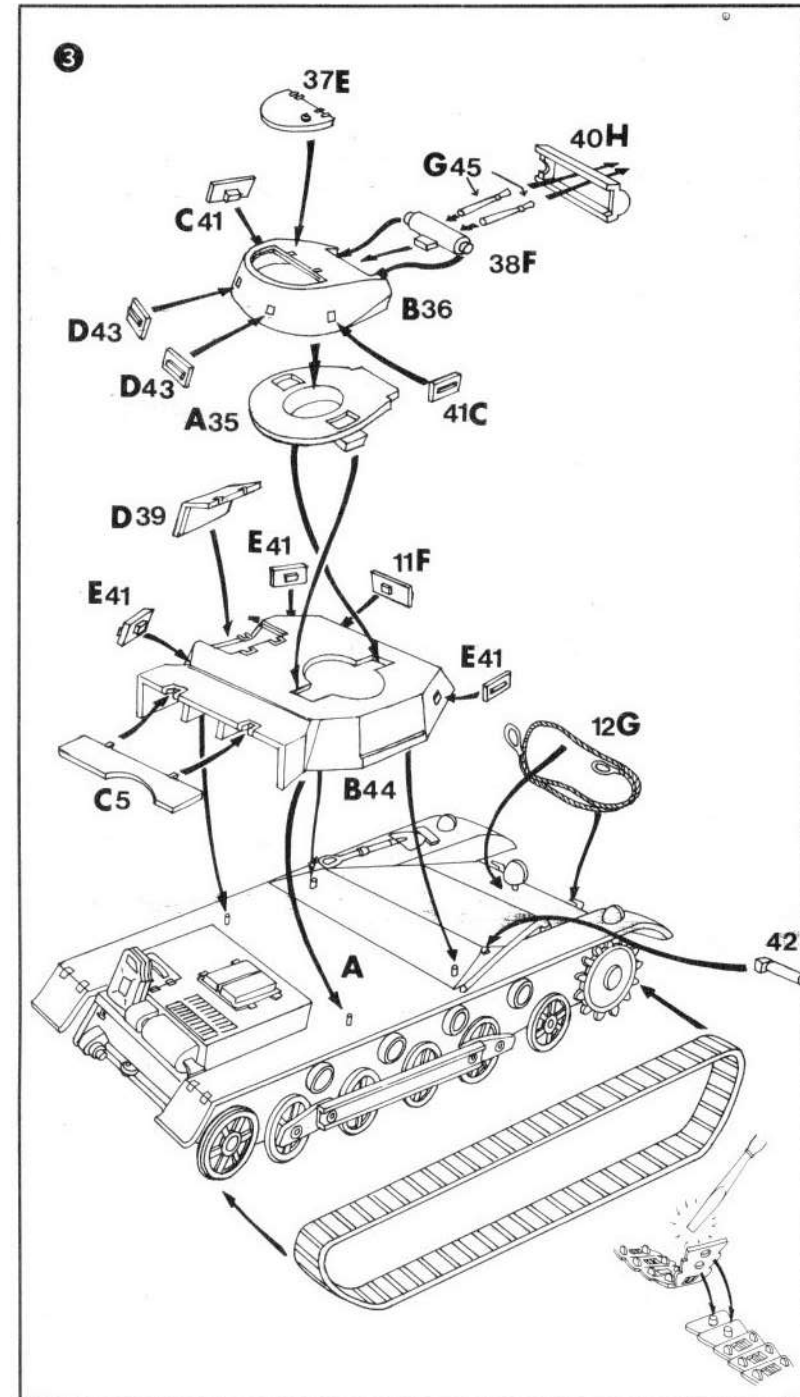
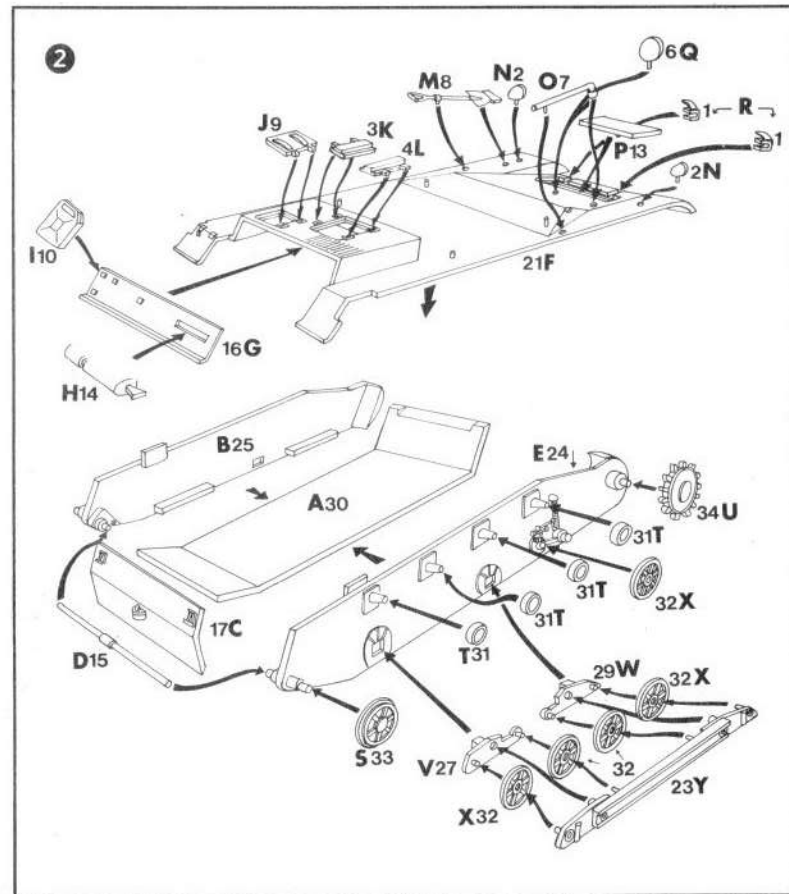
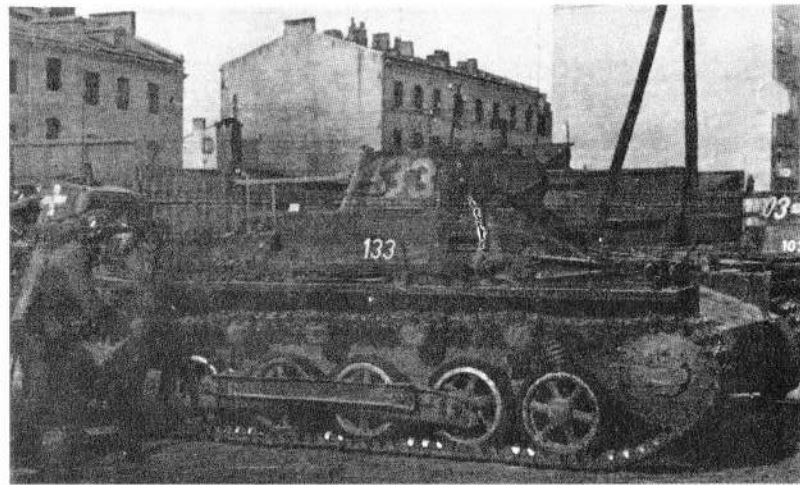
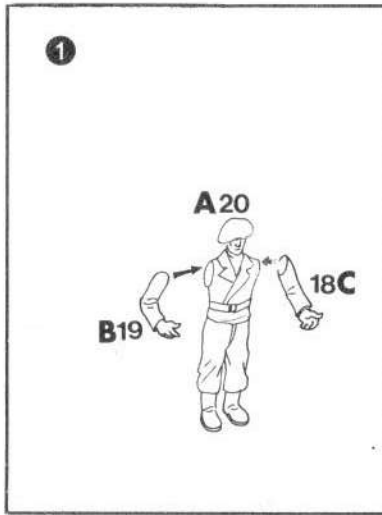
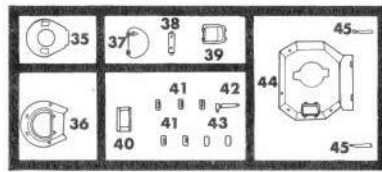
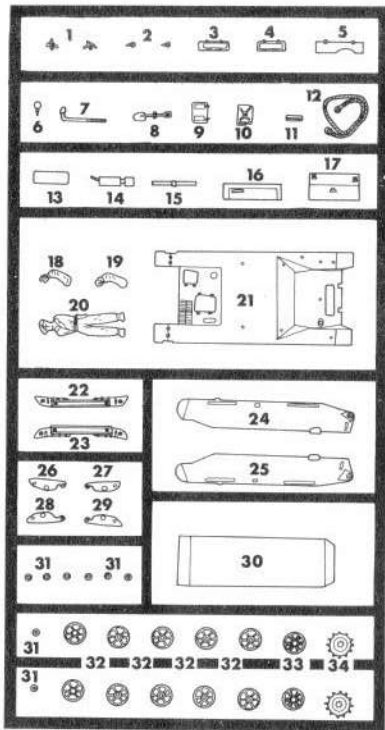


MADE IN ITALY.

KIT. 8024 PZ. Kpfw IB

MADE IN ITALY







MADE IN ITALY.

KIT. 8024 PZ. Kpfw IB