

# DHC-6-300 TWIN OTTER

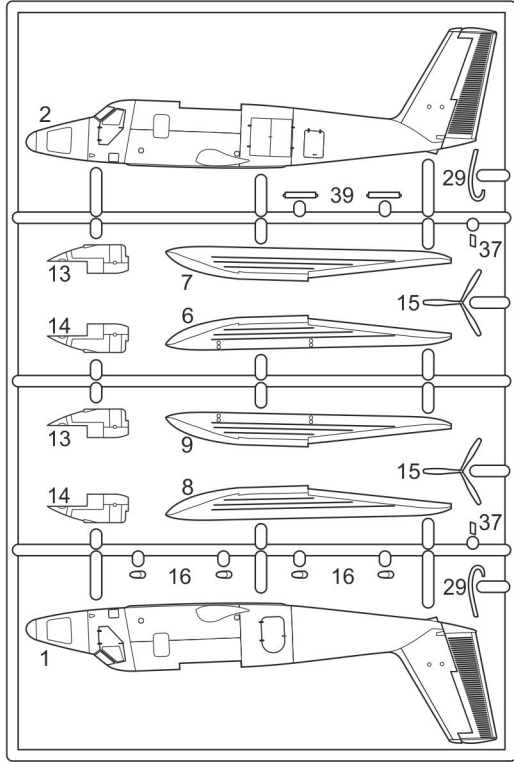
## HOLIDAY SEASON



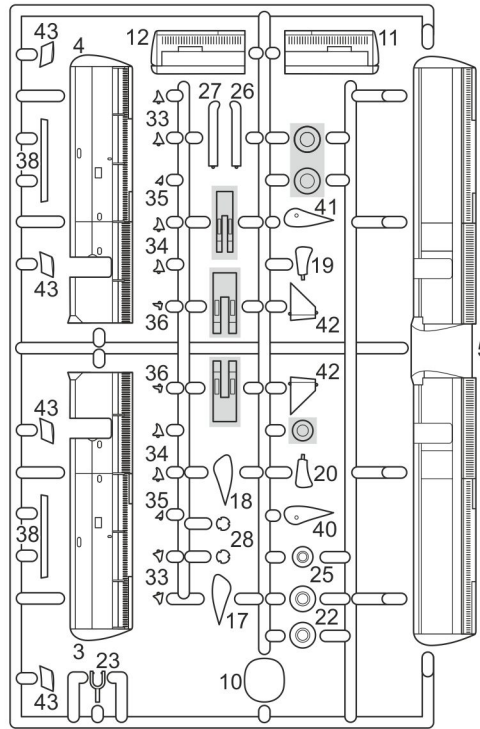
MKM144143  
1/144 scale

parts not  
to be used

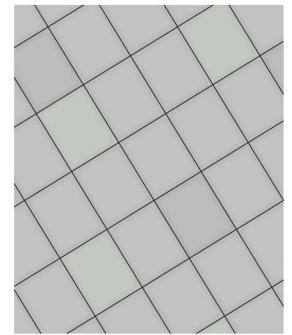
MARK I Ltd.  
PO Box 10  
Prague 10 - Strašnice  
CZ-100 31  
Czech Republic  
mark1@cmail.cz



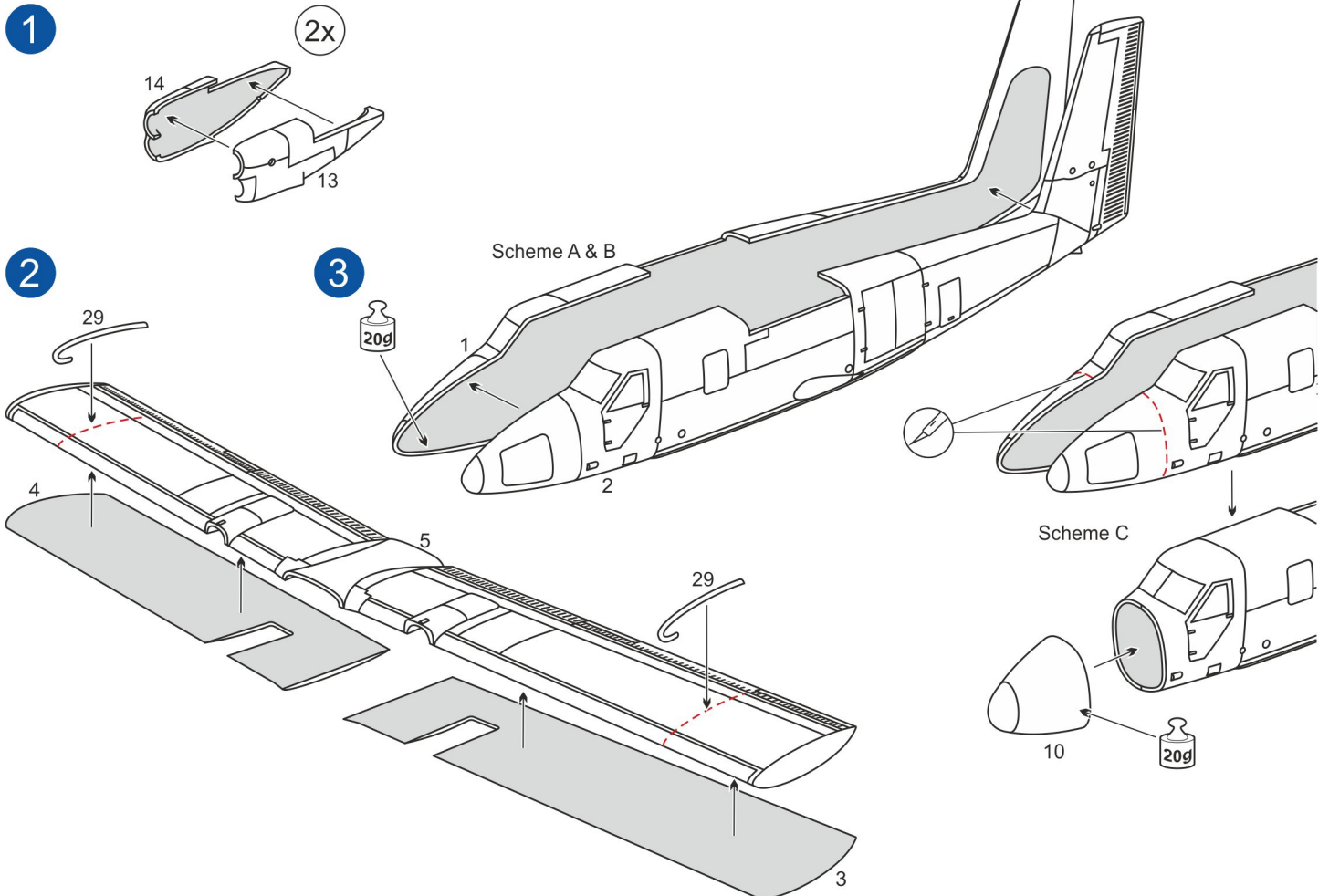
plastic parts

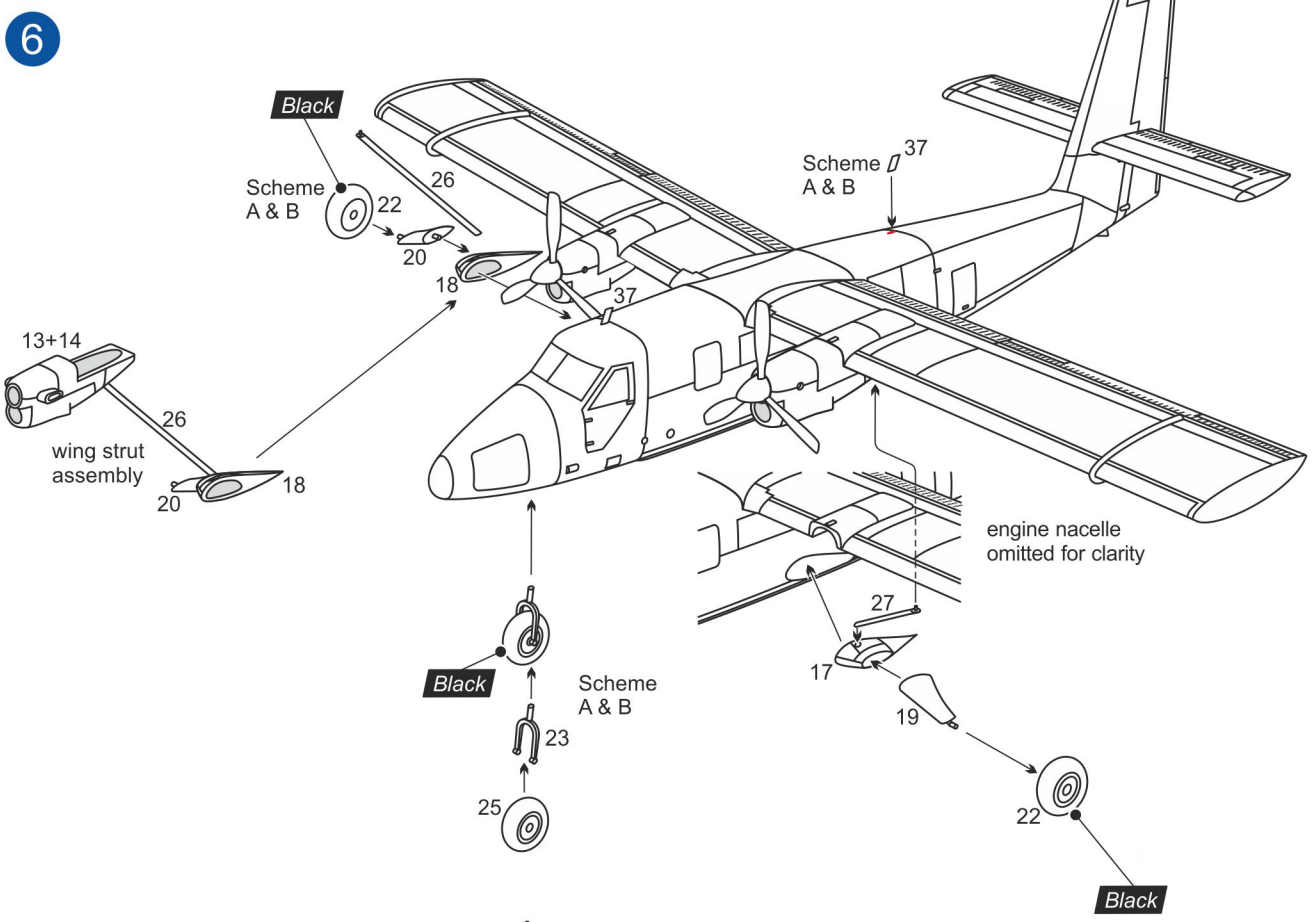
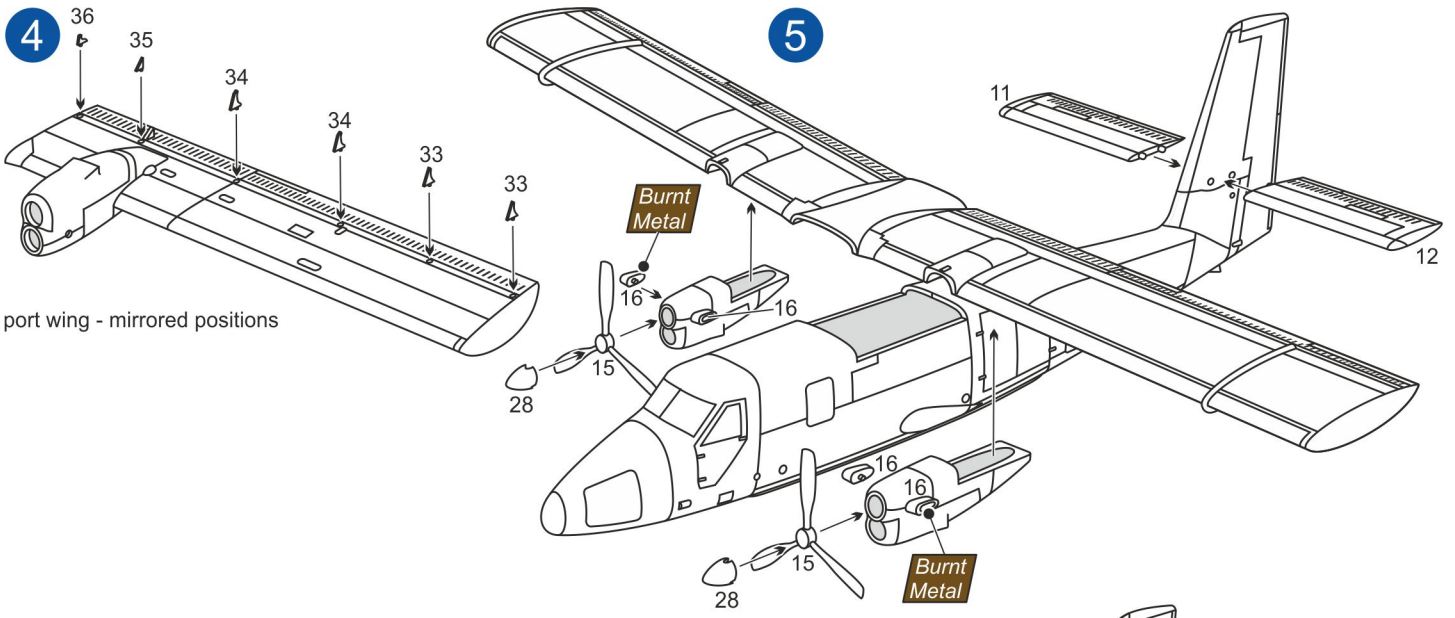


display base



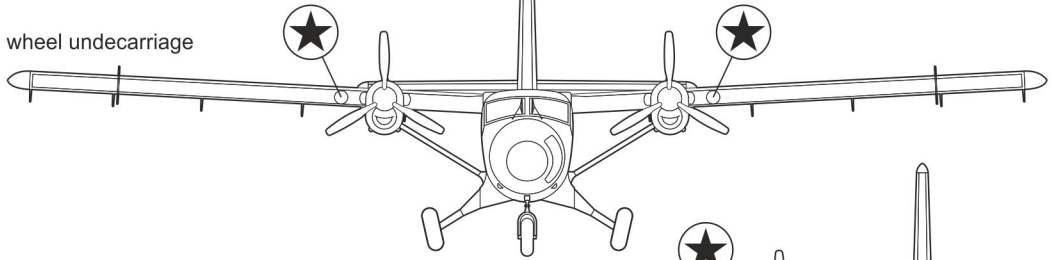
- Repeat this operation
- Glue
- Don't glue
- Decal
- Detach/cut
- Bend
- Drill
- Optional



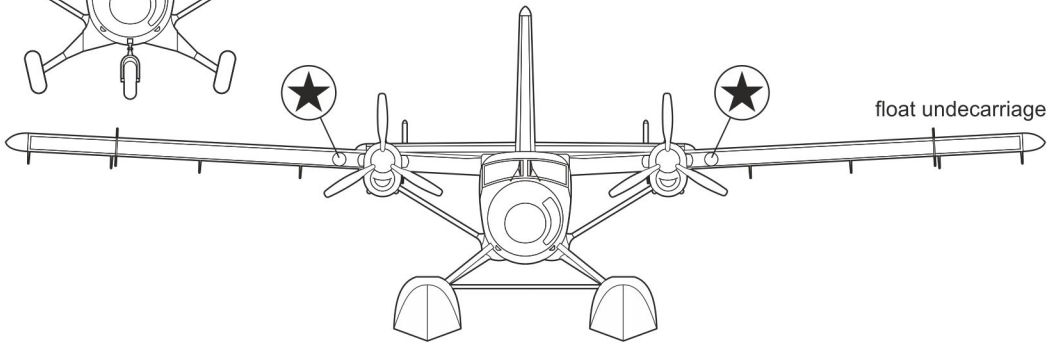


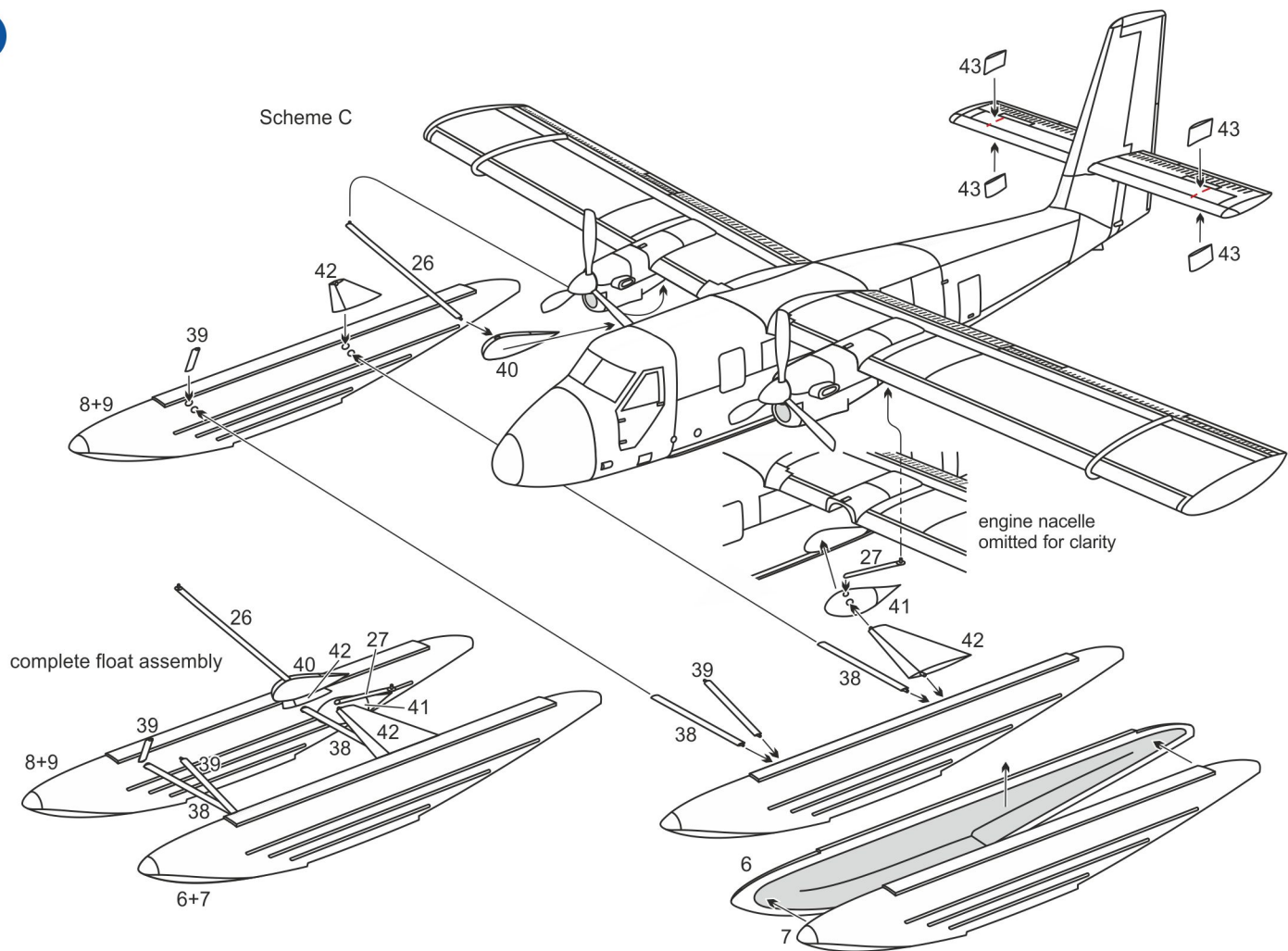
**Front views**

wheel undecarriage

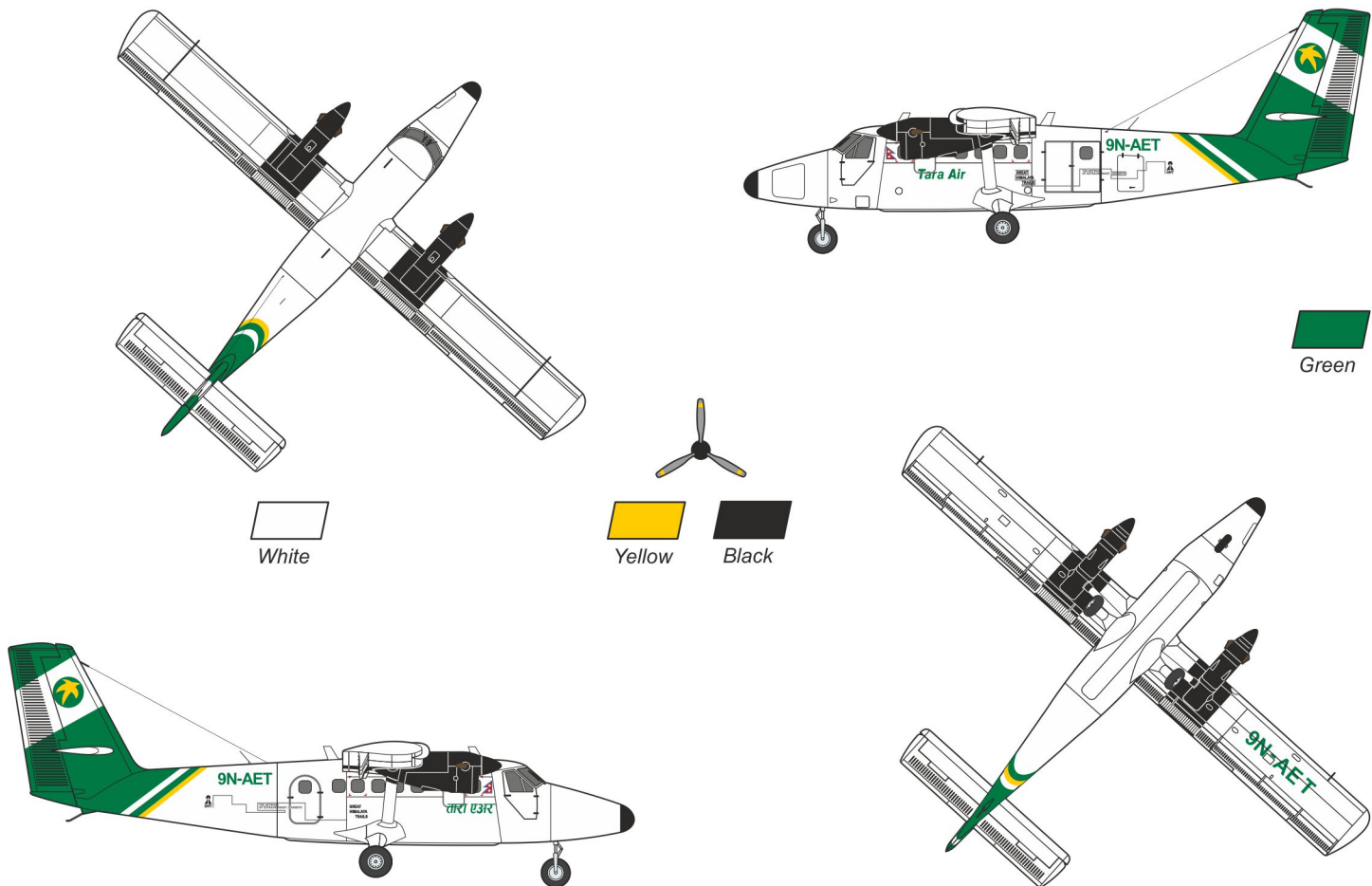


float undecarriage



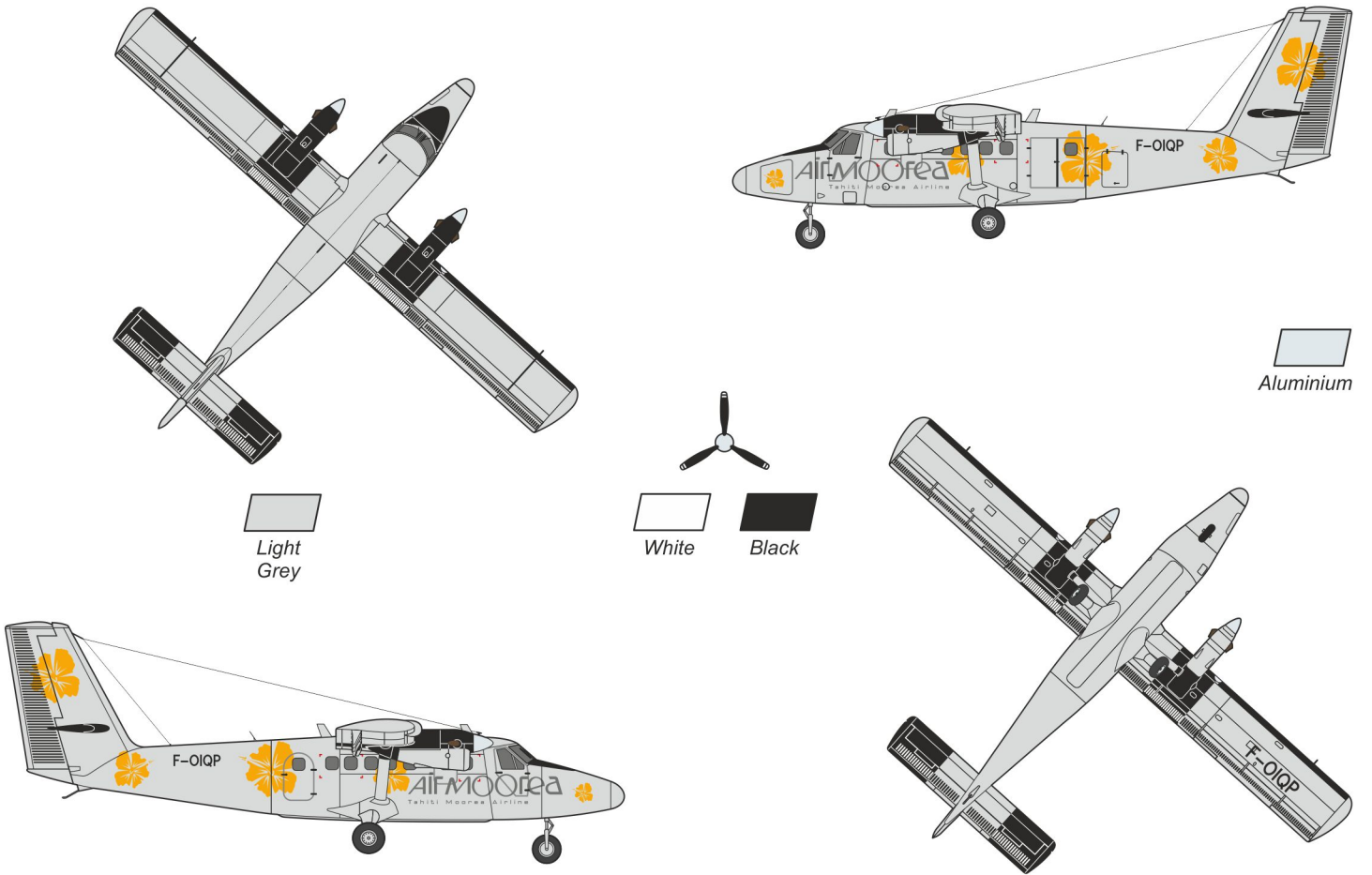


**A** de Havilland Canada DHC-6 (Series 300) Twin Otter, 9N-AET (MSN 619), Tara Air, 'Great Himalaya Trails', Tribhuvan International Airport, Nepal, 2010-22





**B** de Havilland Canada DHC-6 (Series 300) Twin Otter, F-OIQP (MSN 715), 'Aimeho', Air Moorea - Tahiti Moorea Airline, Faa'a International Airport, Tahiti, French Polynesia, 2008-10



**C** de Havilland Canada DHC-6 (Series 300) Twin Otter, 8Q-MAD (MSN 273), Maldivian Air Taxi, Velana International Airport, the Maldives, 2008

