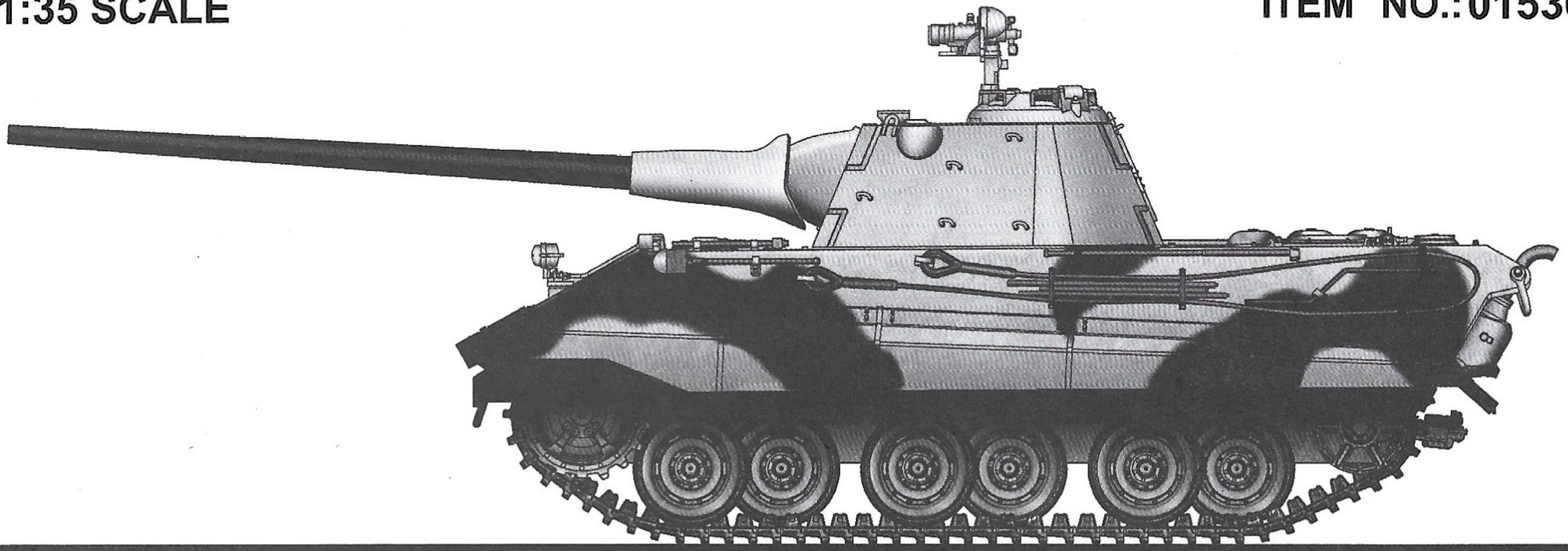


1:35 SCALE

ITEM NO.:01536



# German E-50 (50-75 tons)/Standardpanzer

E50计划坦克

**READ BEFORE ASSEMBLY:**

- Study and understand these instructions thoroughly before beginning assembly
- When needed, remove photo-etch parts carefully using a modeling knife or photo etch sprue cutter, being careful not to damage or lose small parts.
- Take extra care in handling photo etch parts in order to avoid injury
- Apply instant cement sparingly to photo etch parts where instructed
- Tools recommended(not included in kit):Plastic and instant cements, sprue cutters,long nose pliers,modeling knife, small files, tweezers, pin vise & scissors. Soft cloth and sandpaper will also assist in construction
- Glue and paint are not included in the kit. Use plastic cement and hobby paints only. Color guide for purchasing paint is included in the kit.

**装配之前仔细阅读**

- 小心用模型锉刀锉平所有零件表面的注射浇口。
- 小心用刀片切下蚀刻片零件，不要遗失小零件。
- 用强力快干胶水粘合蚀刻片零件和金属轴。过量快干胶水使用可能导致可动零件会粘住，小心涂胶。
- 取蚀刻片时应特别注意安全，防止利边划伤手指。
- 某些零件表面需贴上水贴纸，请选择在装配的同时进行。
- 推荐模型工具(自备)：胶水，水口剪刀，长咀钳，刀片，锉刀，镊子，钳，钻，剪刀，瞬间快干胶。
- 软布同砂纸同时也应该是必备工具。
- 请使用塑料胶水和油漆，模型内不含。



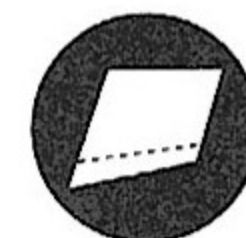
配重  
Weight



使用强力胶  
Cyanoacrylate glue



钻孔  
Make hole



切除  
Cut / Remove



贴纸  
Decal



锉平  
File / Sand



选择  
Option



不涂胶水  
No cement



弯曲  
Bend

**水贴纸的使用:**

- 1.从水贴上剪下印花;
- 2.将印花放入温水中浸10秒，然后放在干净布上。
- 3.拿着印花纸板将印花移到模型上;
- 4.手指蘸水将印花移到适当的位置;
- 5.用软布轻压印花直至水干，气泡消失

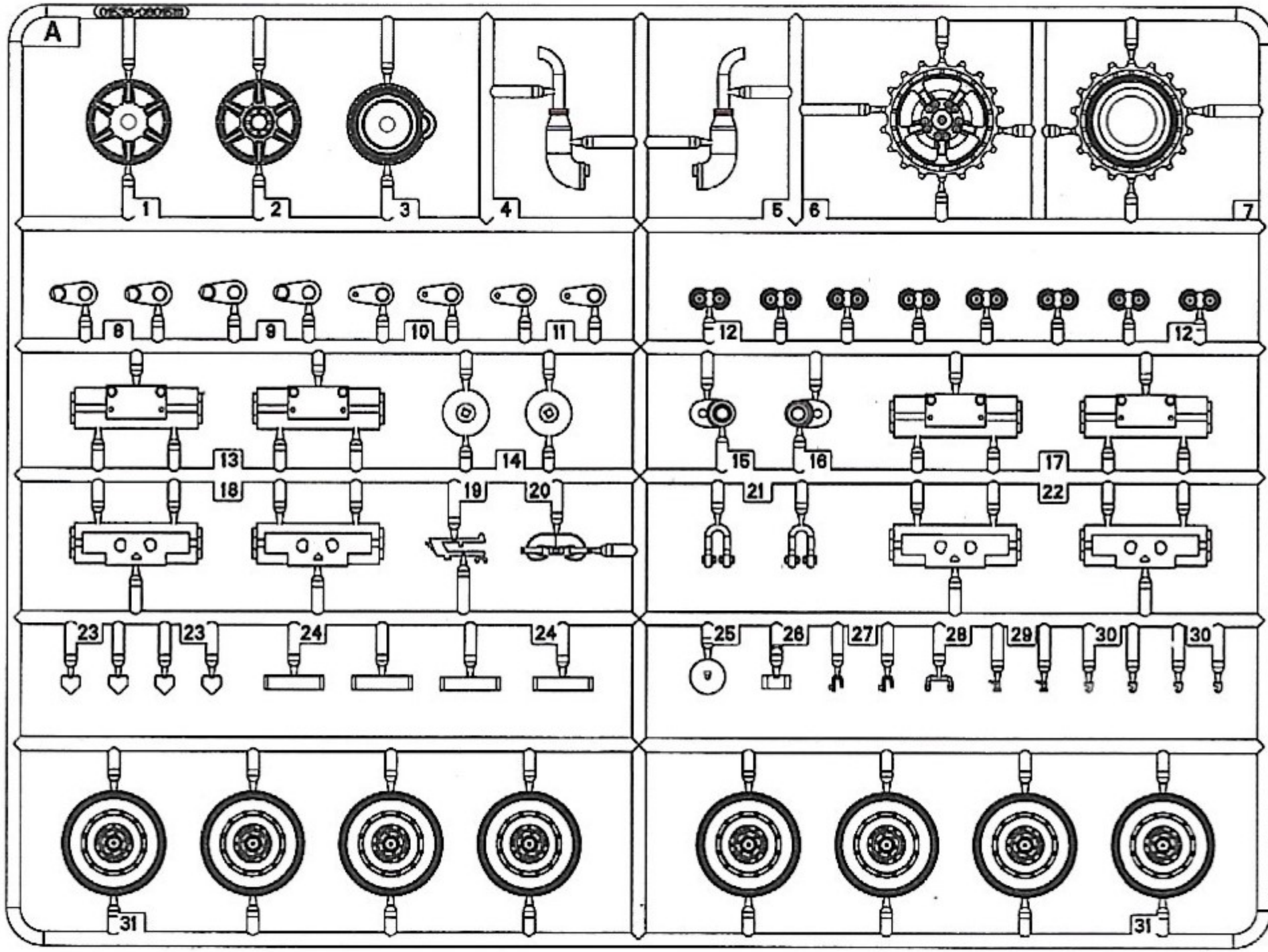
**DECAL APPLICATION**

- 1.Cut decals from sheet as needed
- 2.Dip the decal in warm water for about 10 seconds and then place on soft clean cloth.
- 3.Hold the decal backing sheet edge and gently slide the decal onto the model in its proper position.

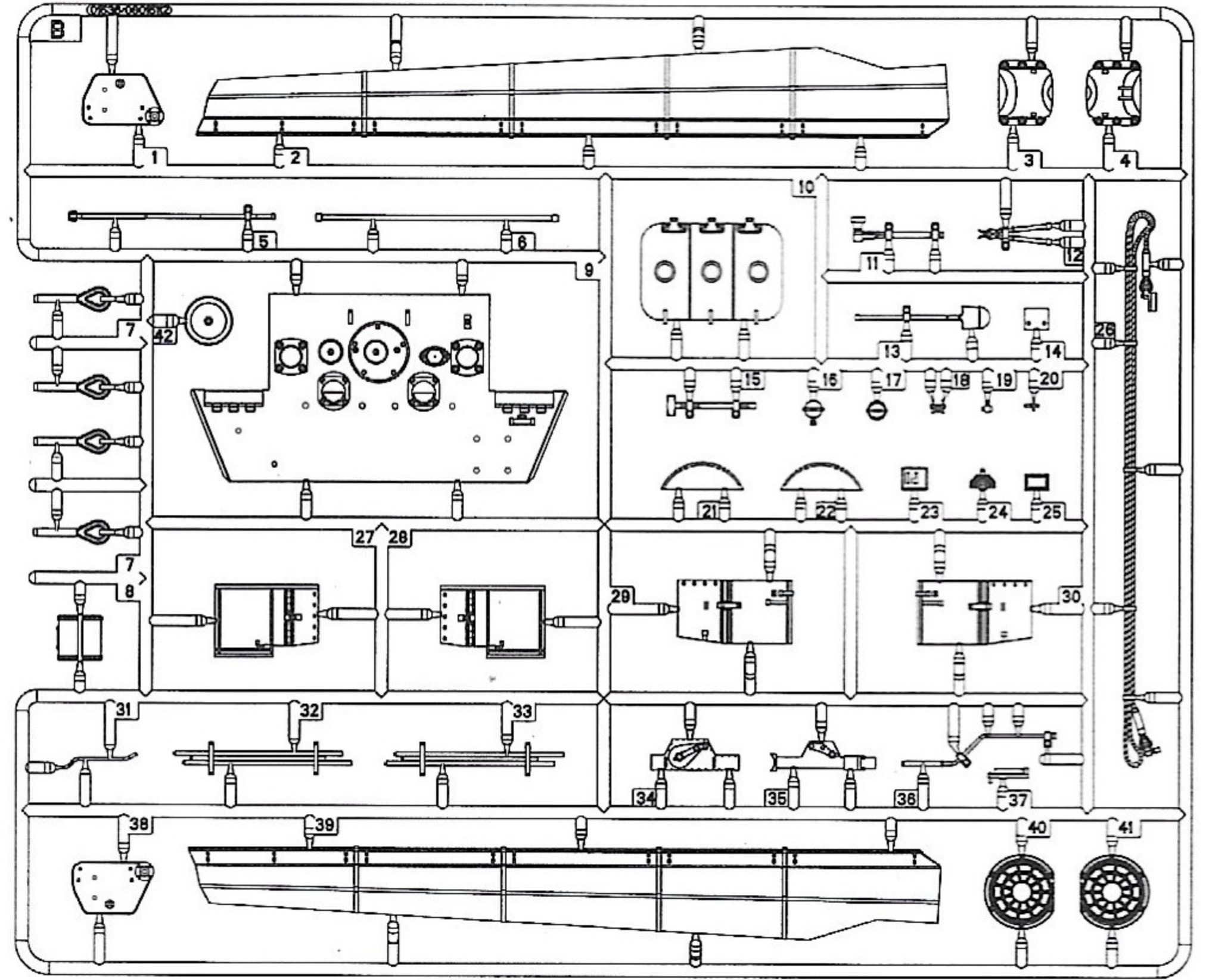
- 4.While still wet,decal can be adjusted for better fit on model by dampening it gently with your finger.
- 5.When placed in the proper position,gently press decal down with a soft cloth until excess water and air bubbles are gone.
- 6.Allow decal to dry completely before handling model

# 部品图 Parts

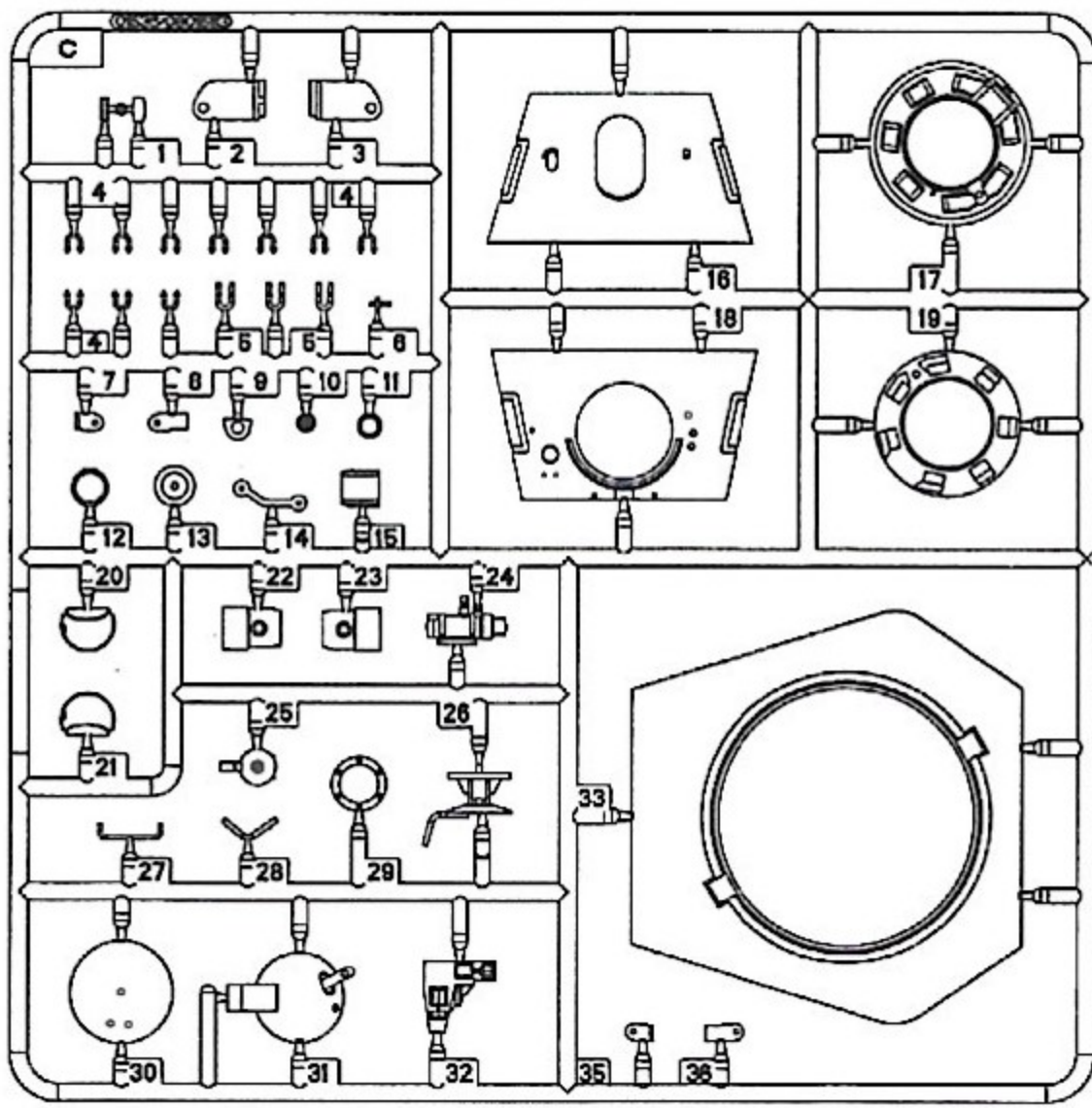
AX2



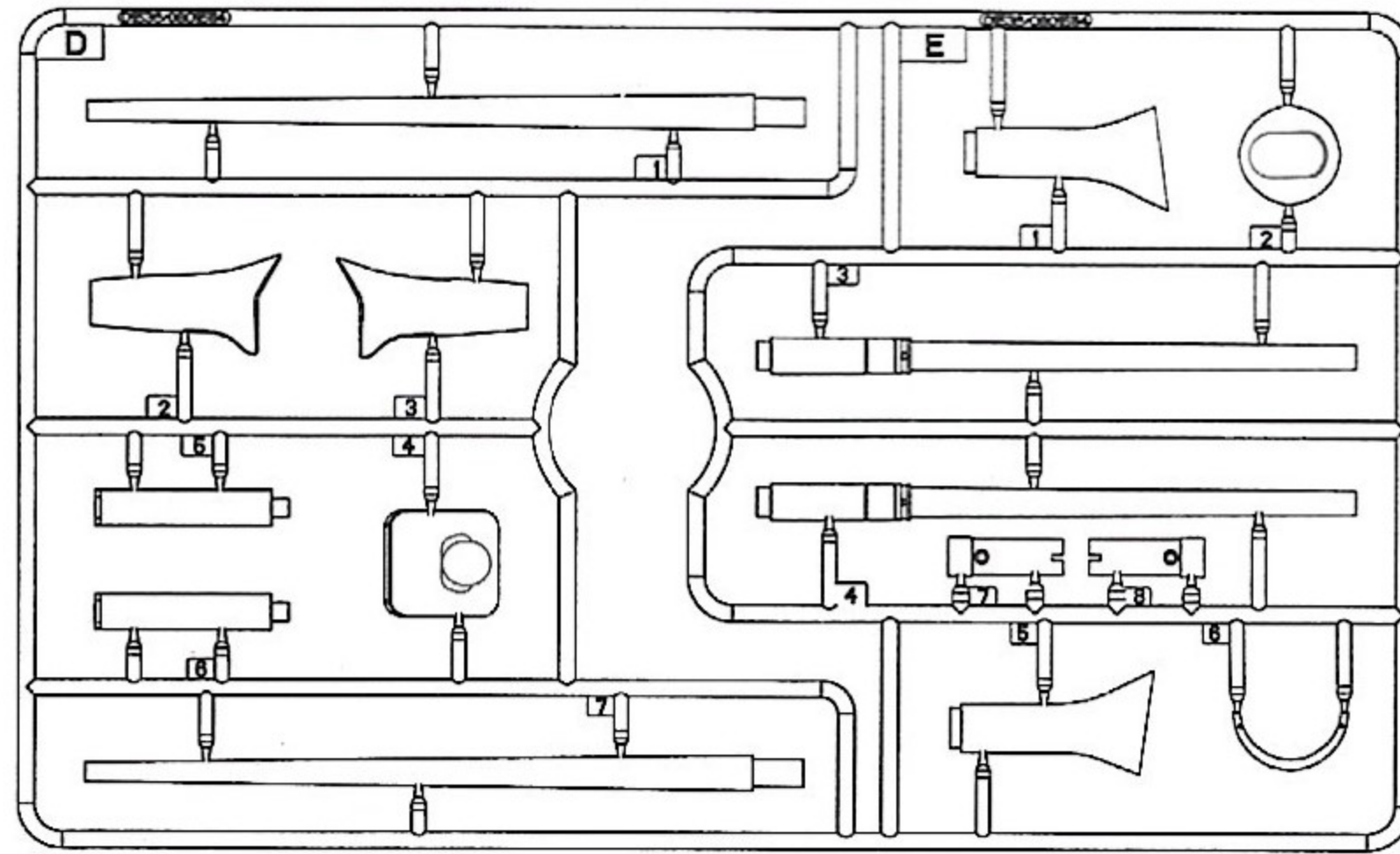
B



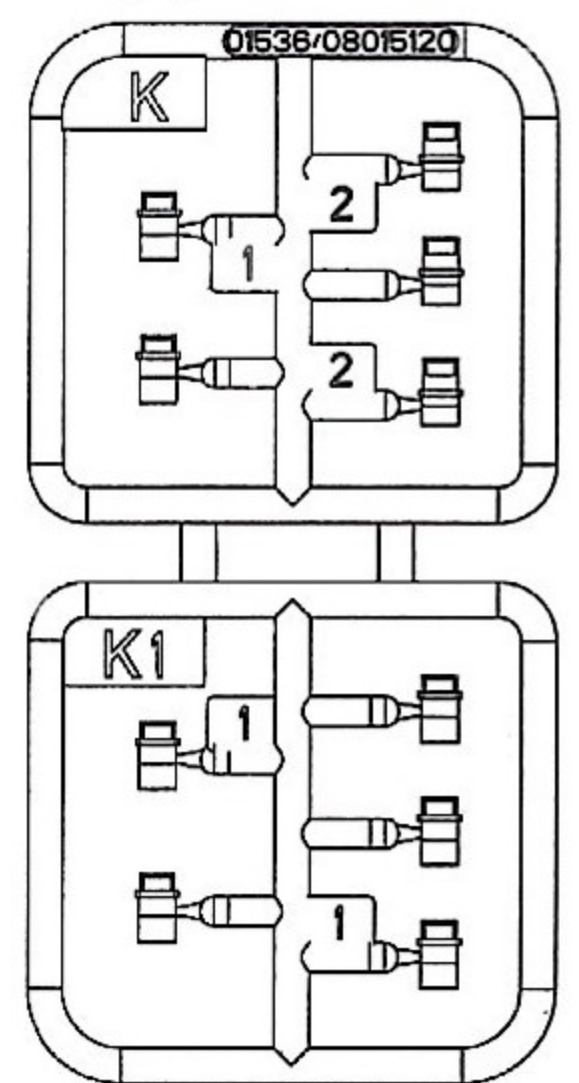
C



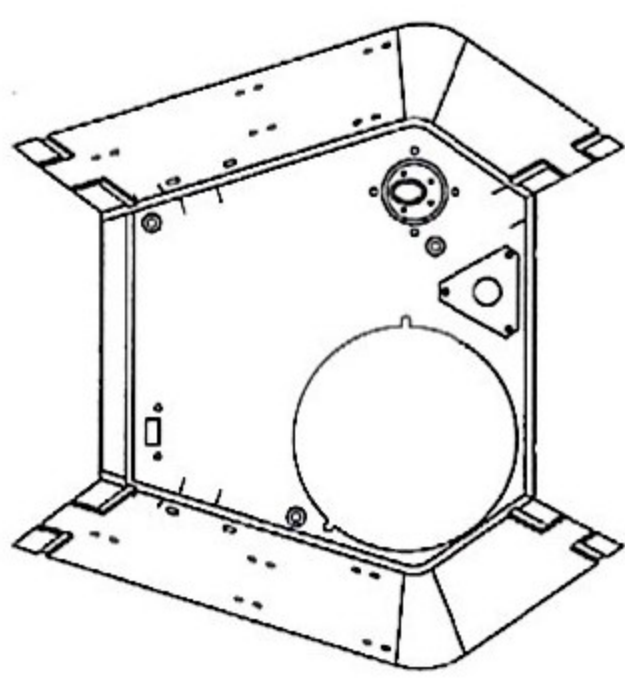
D.E



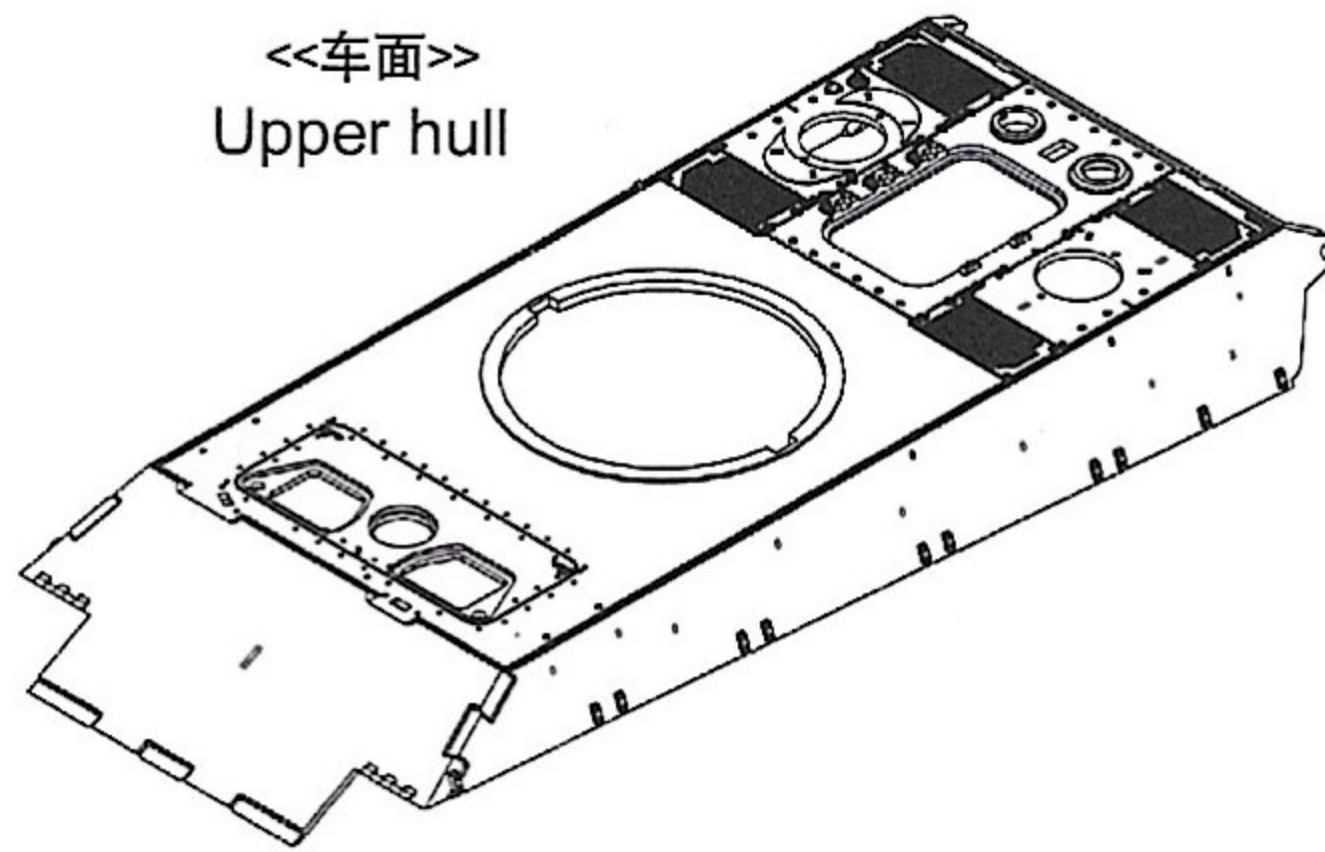
K



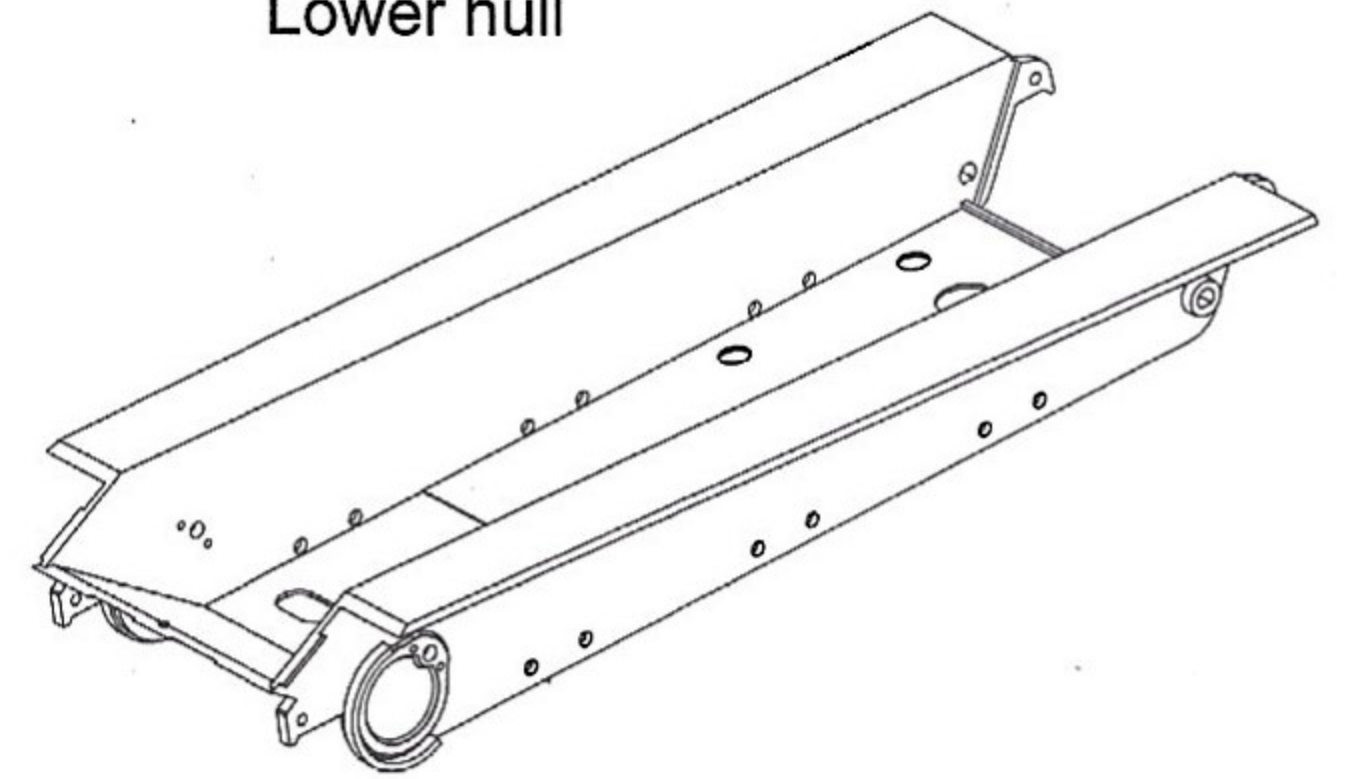
<<炮塔>>  
Turret



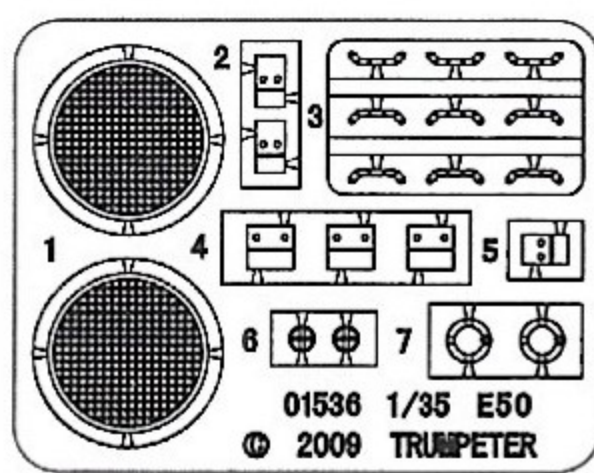
<<车面>>  
Upper hull



<<车底>>  
Lower hull



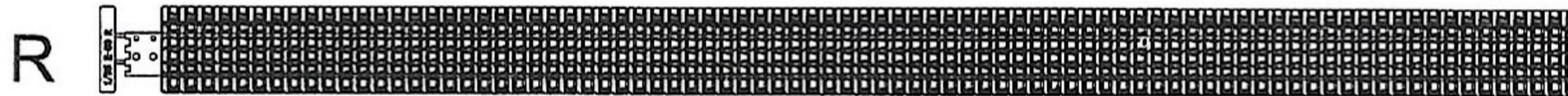
《蚀刻片》  
PE



<<铜缆>>  $\varnothing$  0.8x450mm  
Brass wire



<<履带>>  
Track

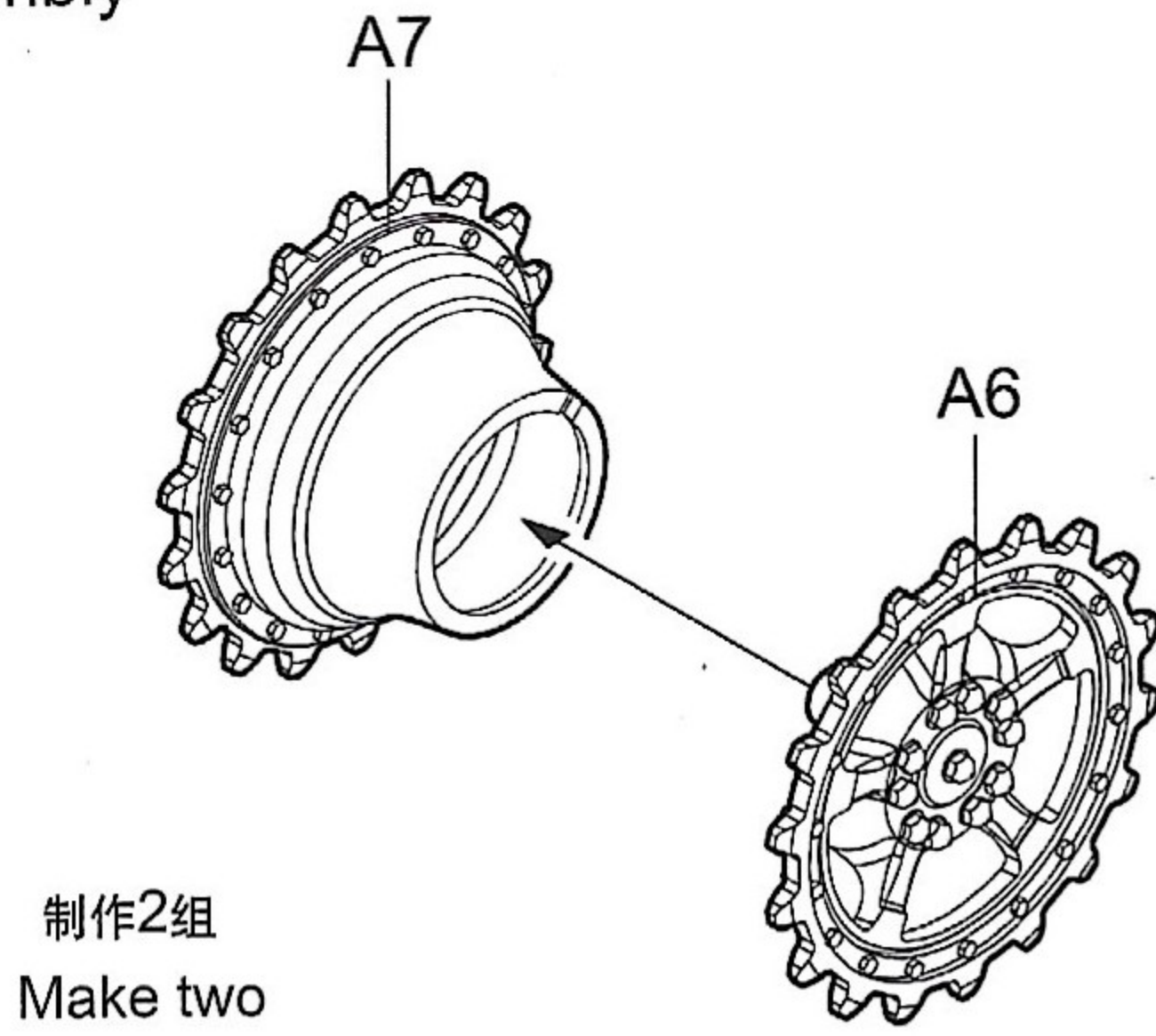


<<履带>>  
Track

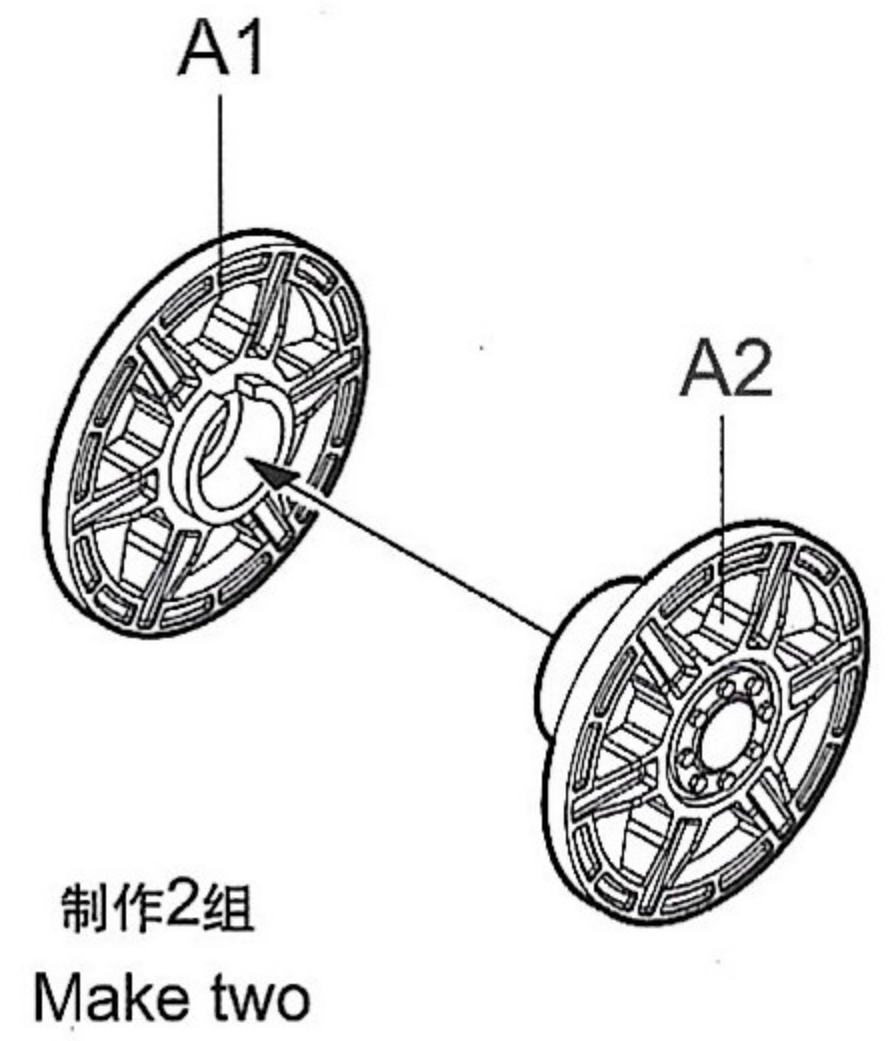


**1** 车轮组装  
Wheels assembly

《主动轮》  
Sprocket wheel

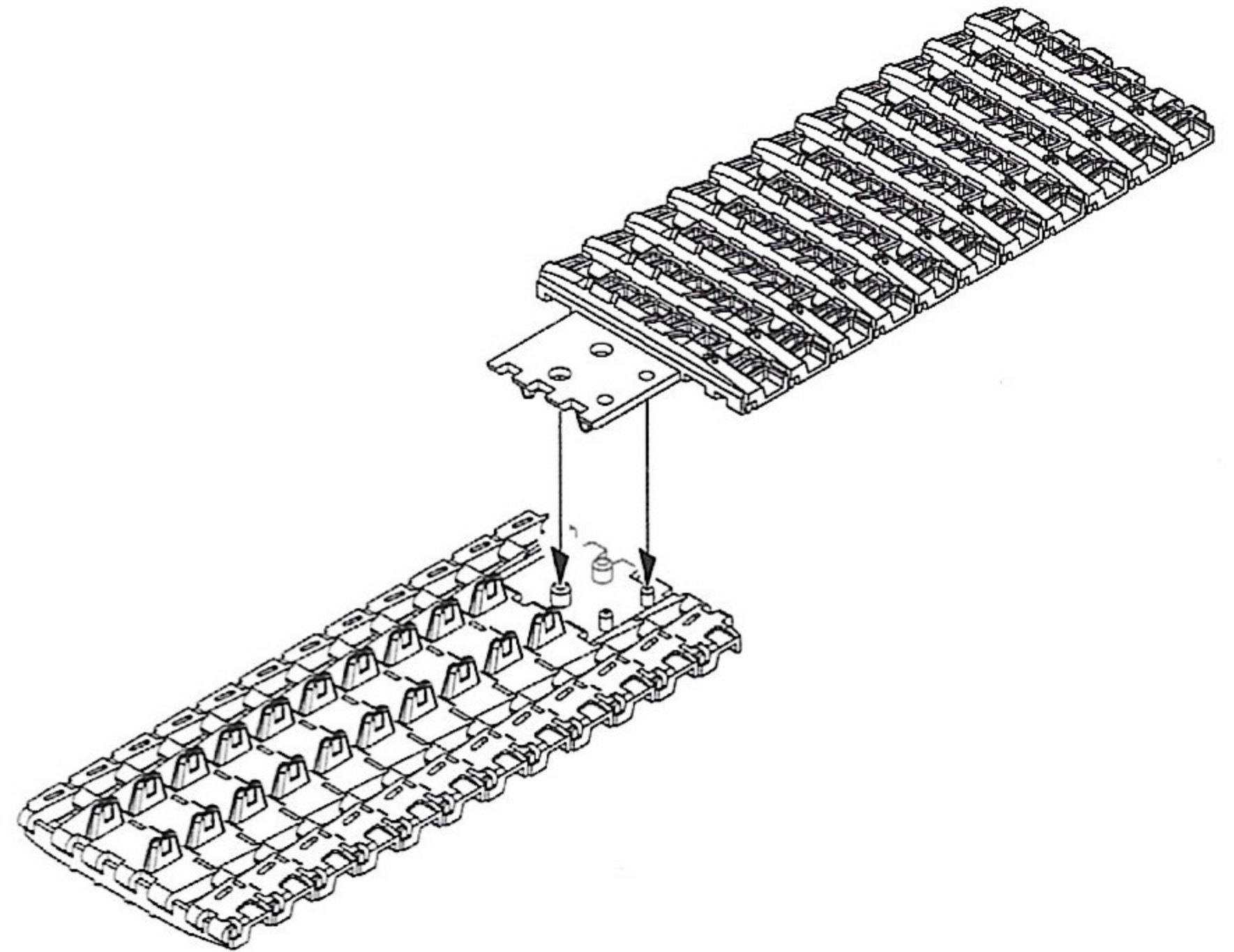


《诱导轮》  
Idler wheel



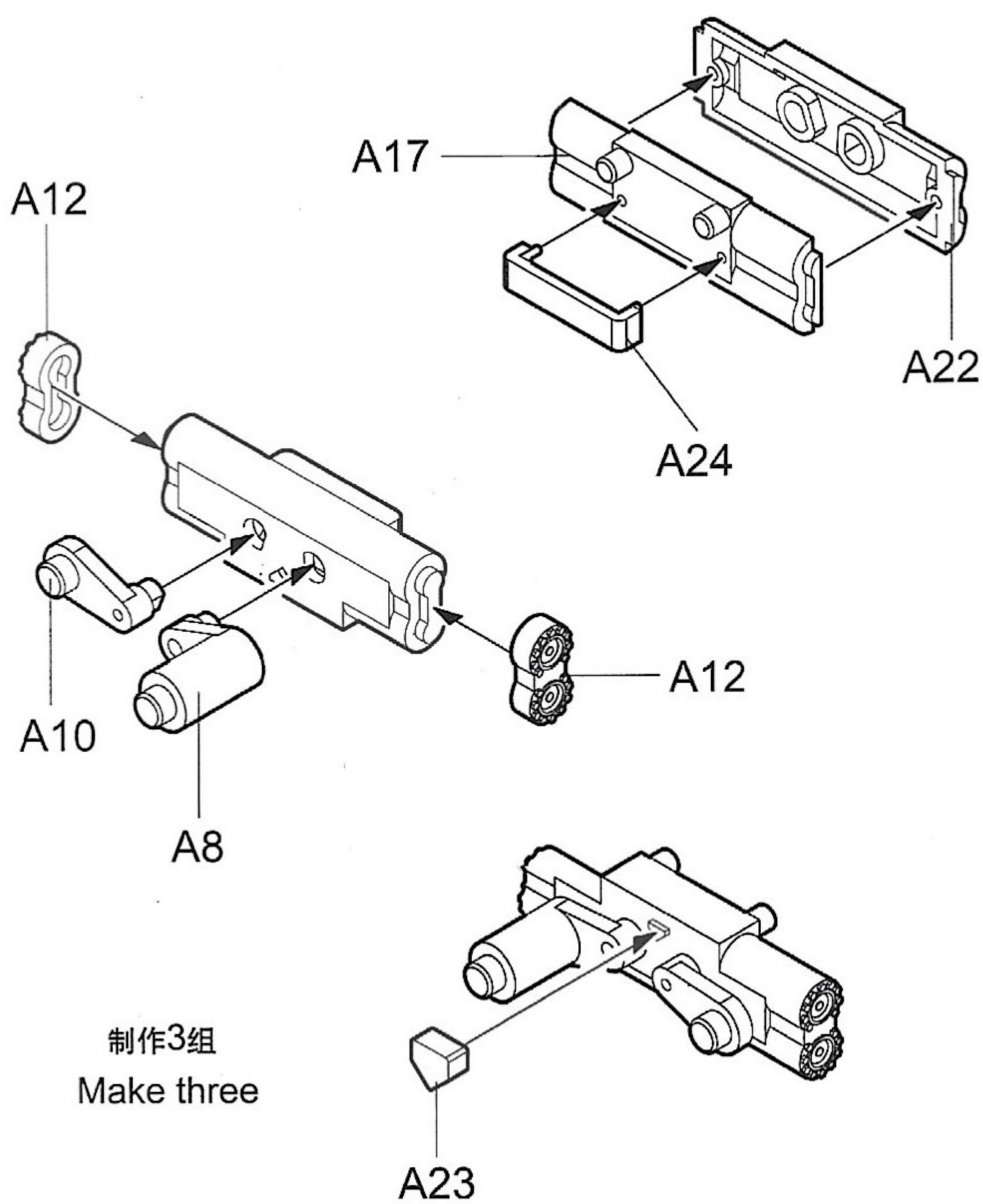
**2** 履带连接  
Track construction

- \* 履带可用塑料胶水粘合。
- \* 履带可用模型油漆喷涂。
- \* 若履带断裂，用细丝线固定。
- \* The tracks in this kit can be glued using plastic cement.
- \* The tracks can be painted using plastic paints.
- \* If track is broken strengthen with staples or thread.

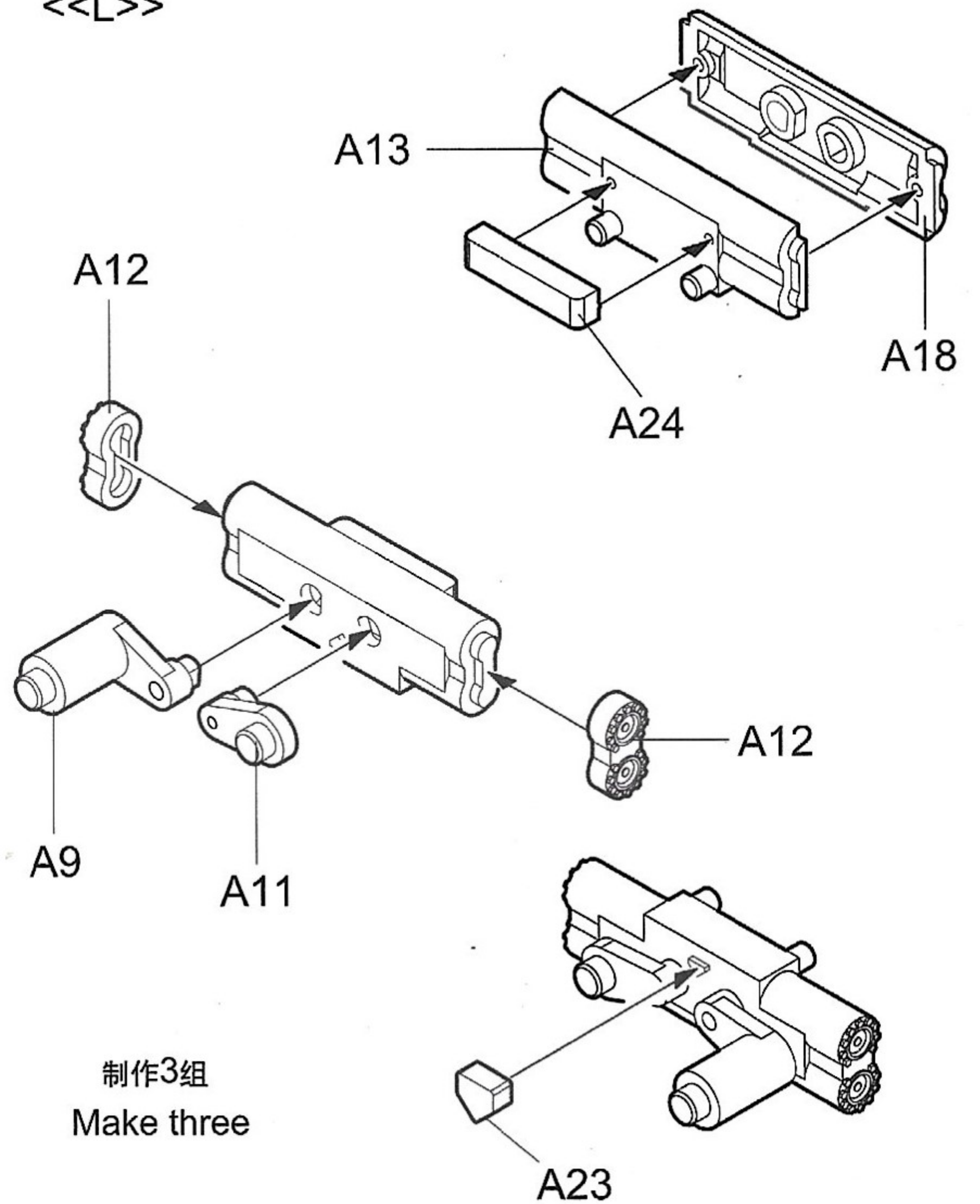


**3** 悬臂组装  
Cantilever assembly

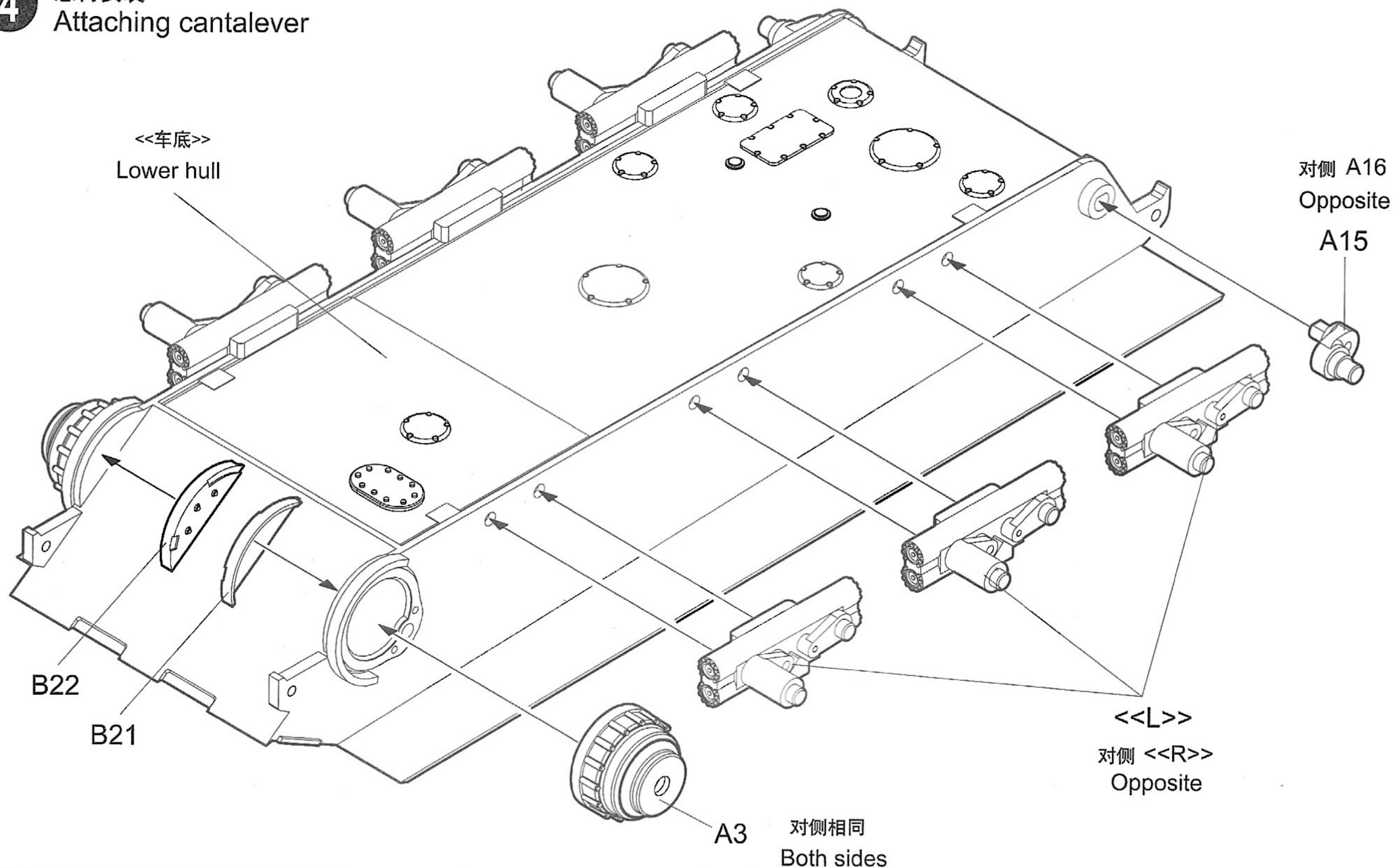
<<R>>



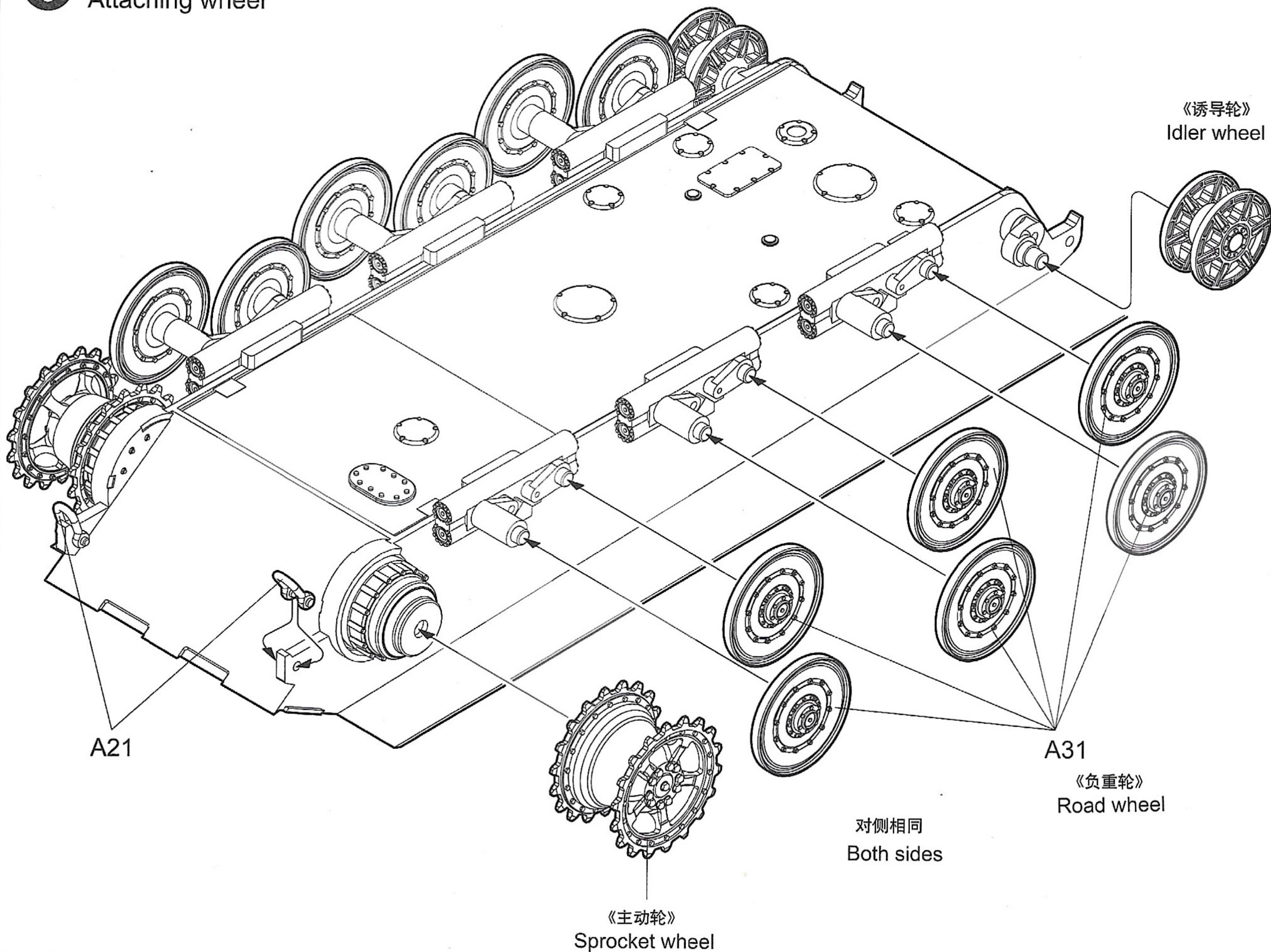
<<L>>



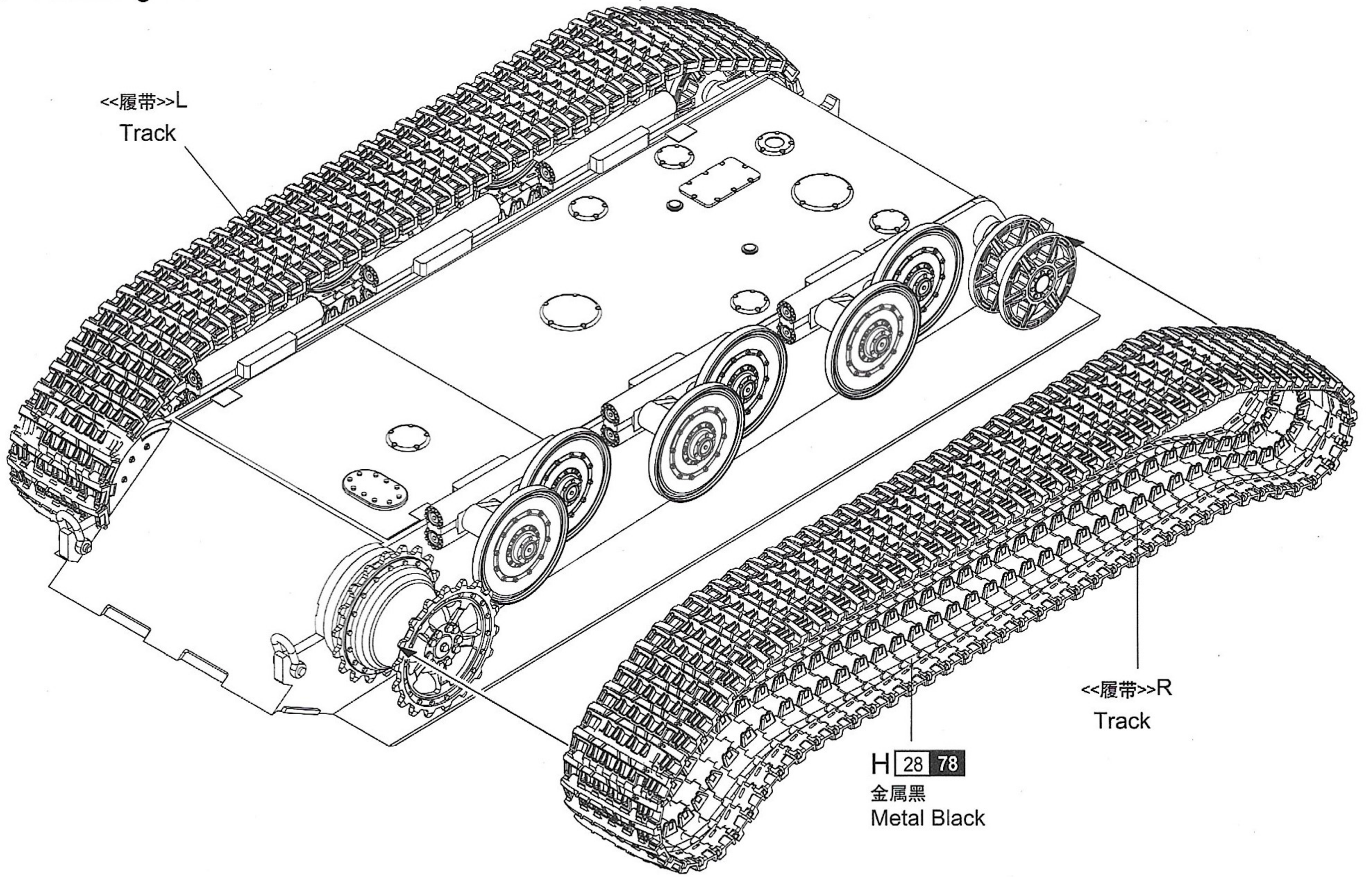
**4** 悬臂安装  
Attaching cantilever



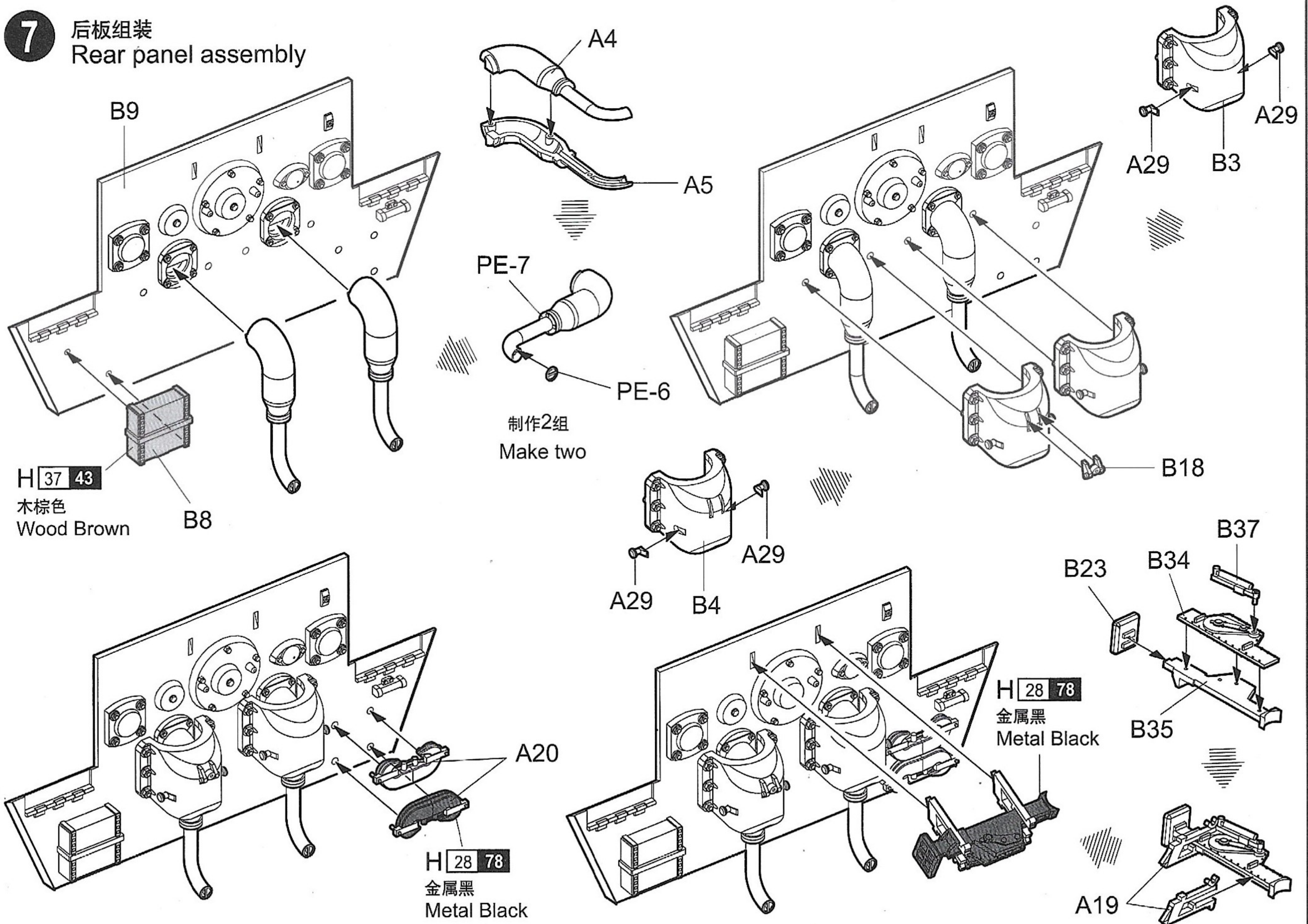
**5** 车轮安装  
Attaching wheel



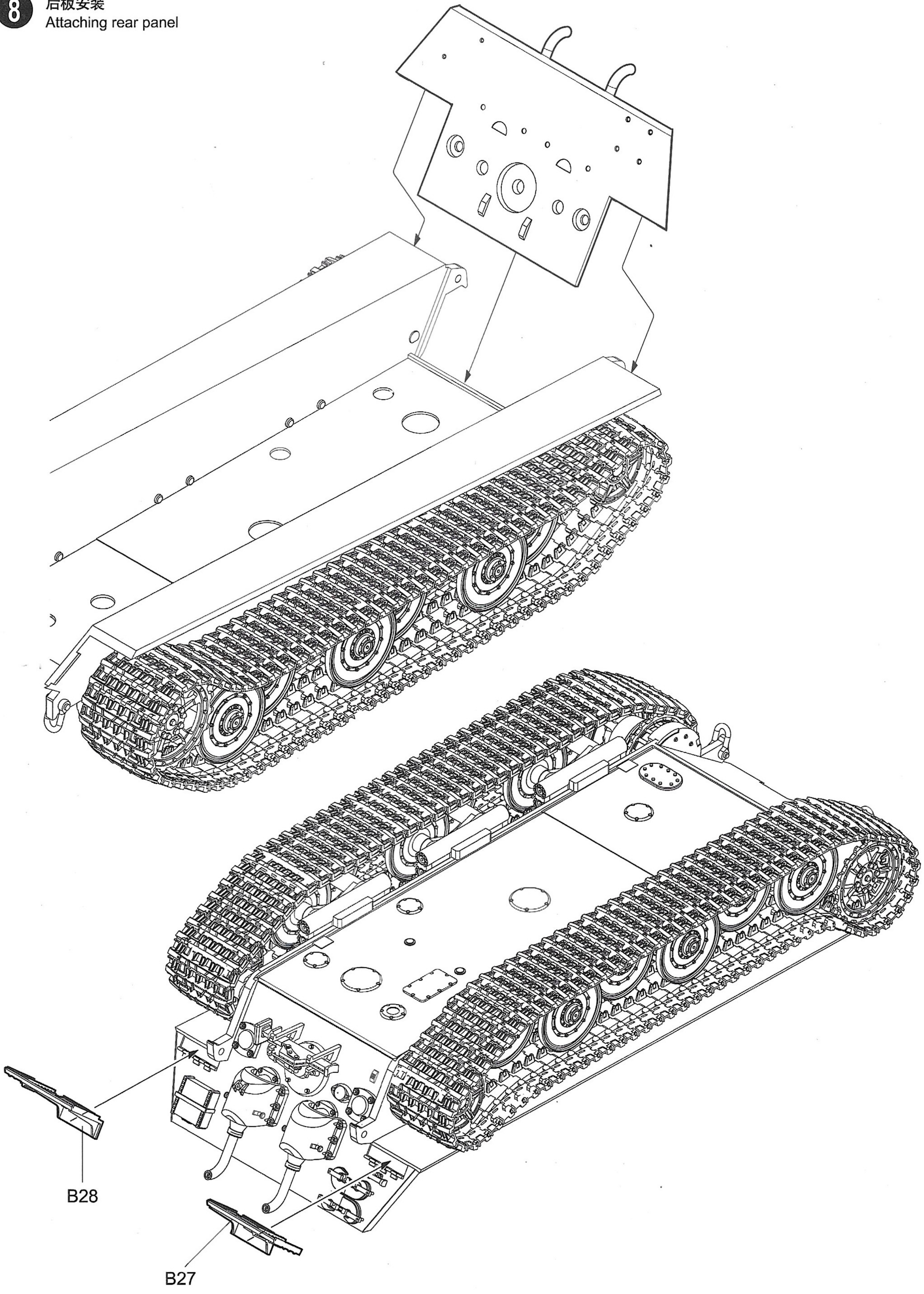
**6** 履带安装  
Attaching track



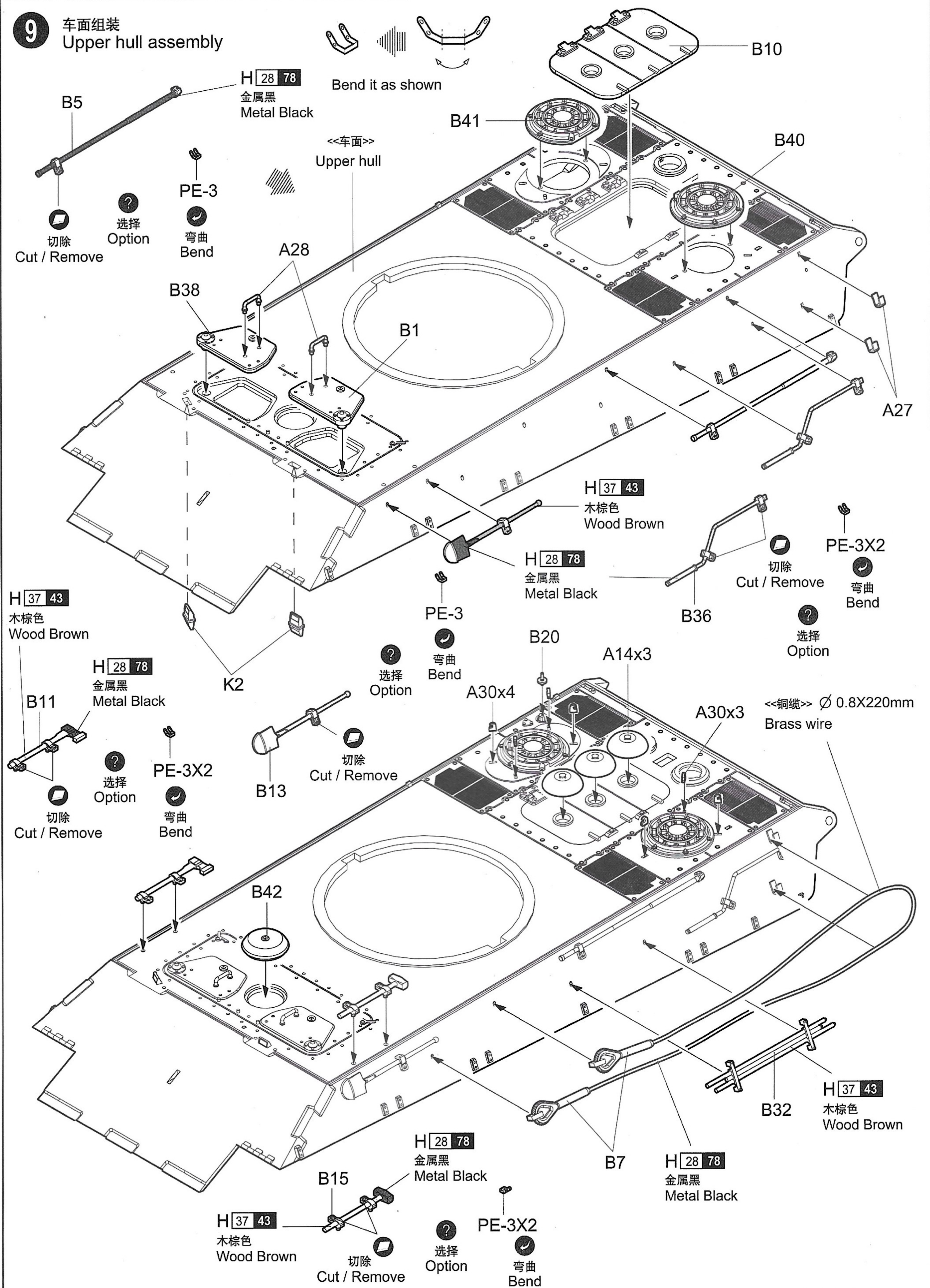
**7** 后板组装  
Rear panel assembly



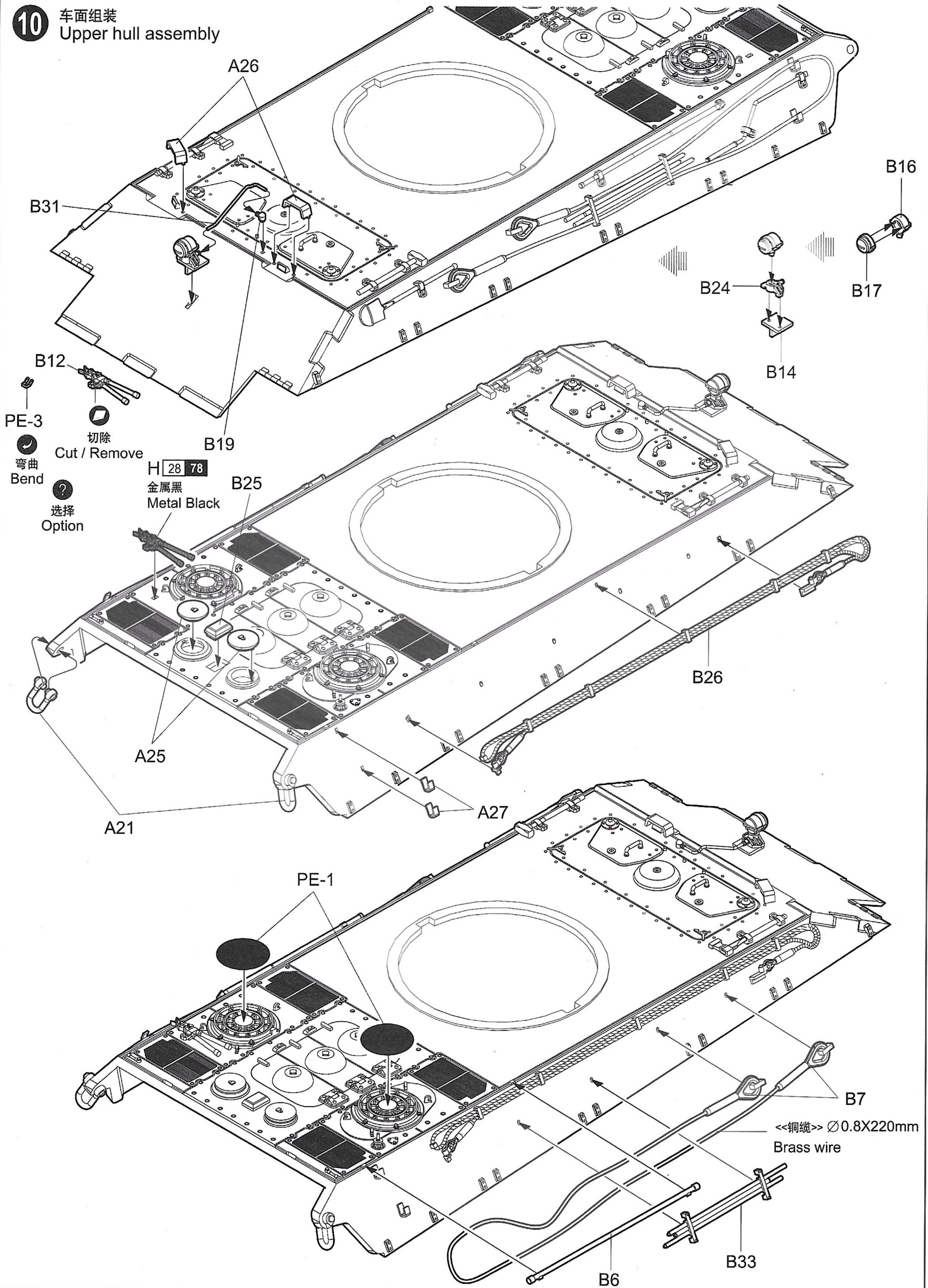
**8** 后板安装  
Attaching rear panel



**9** 车面组装  
Upper hull assembly



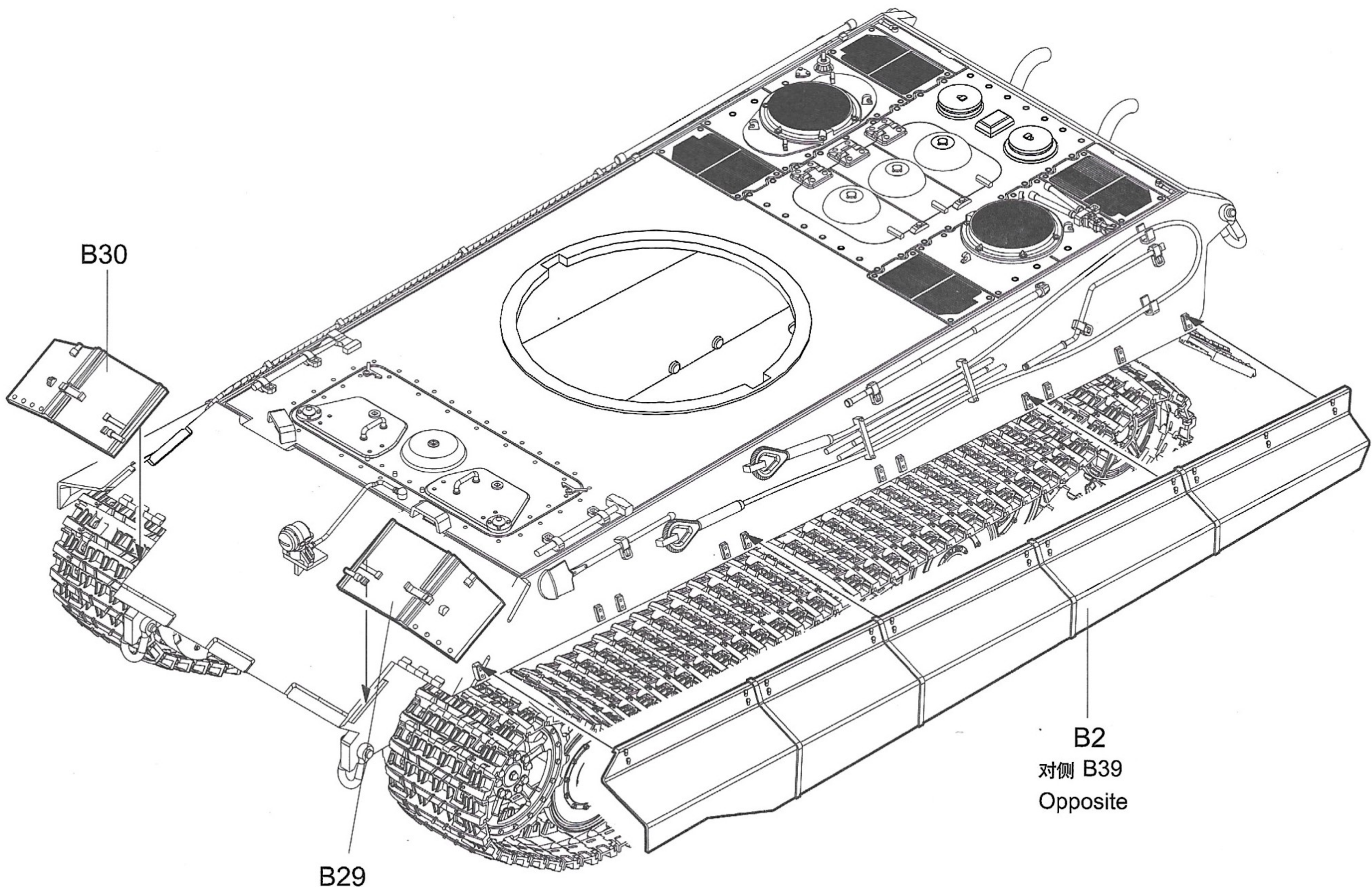
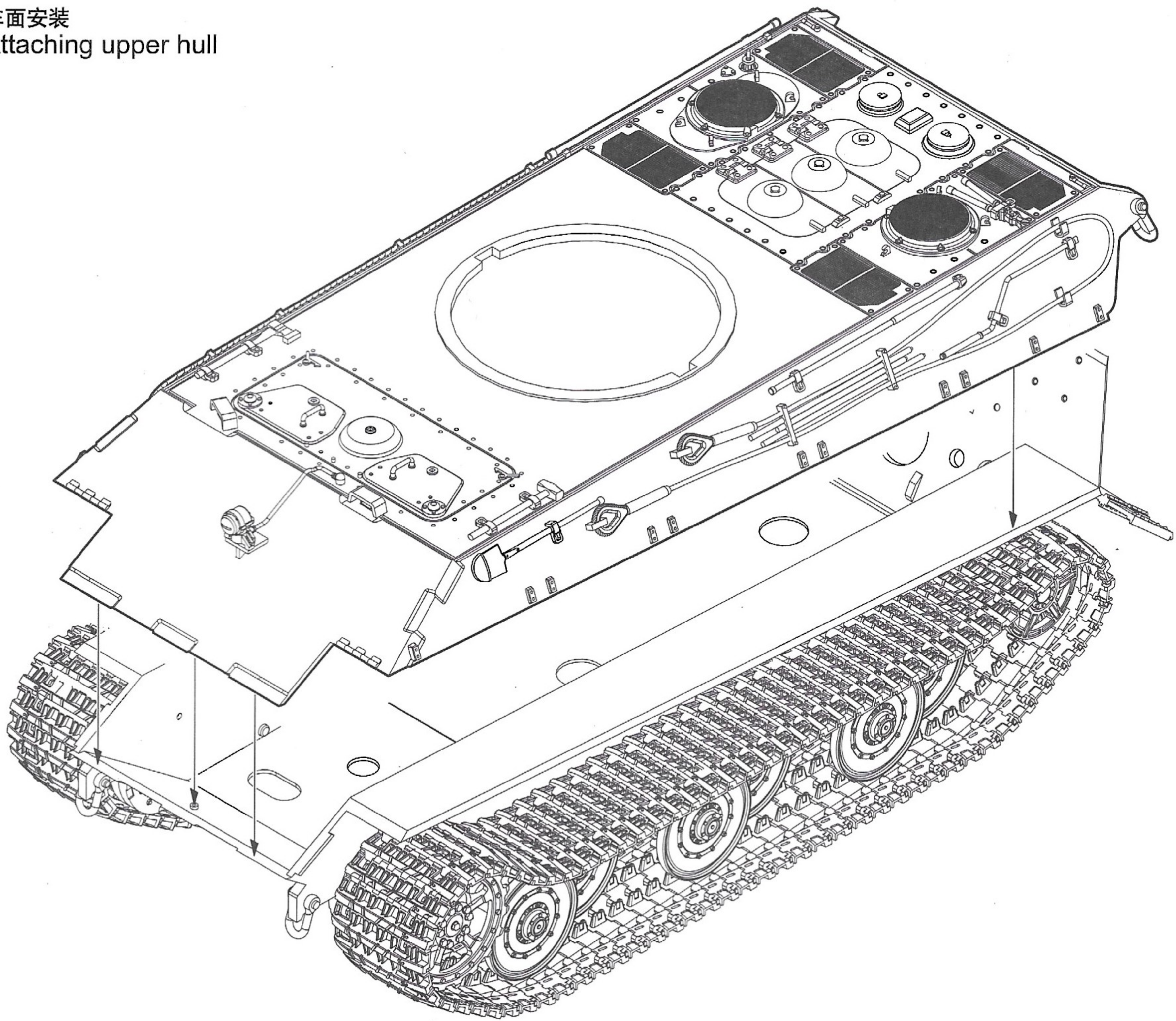
**10** 车面组装  
Upper hull assembly



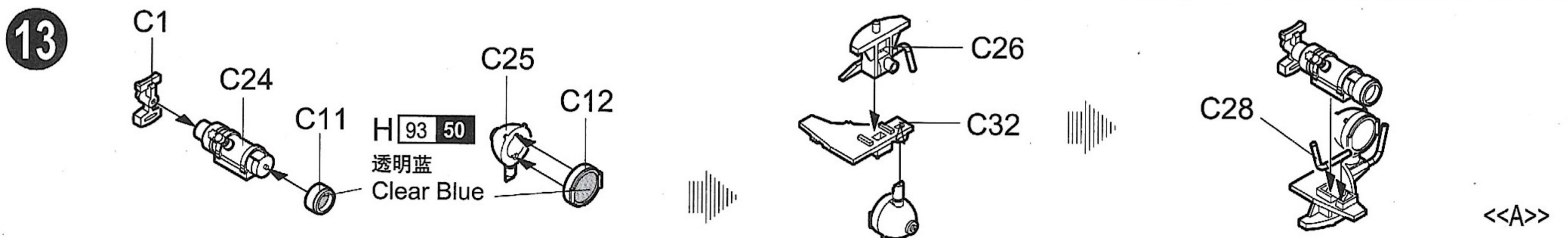
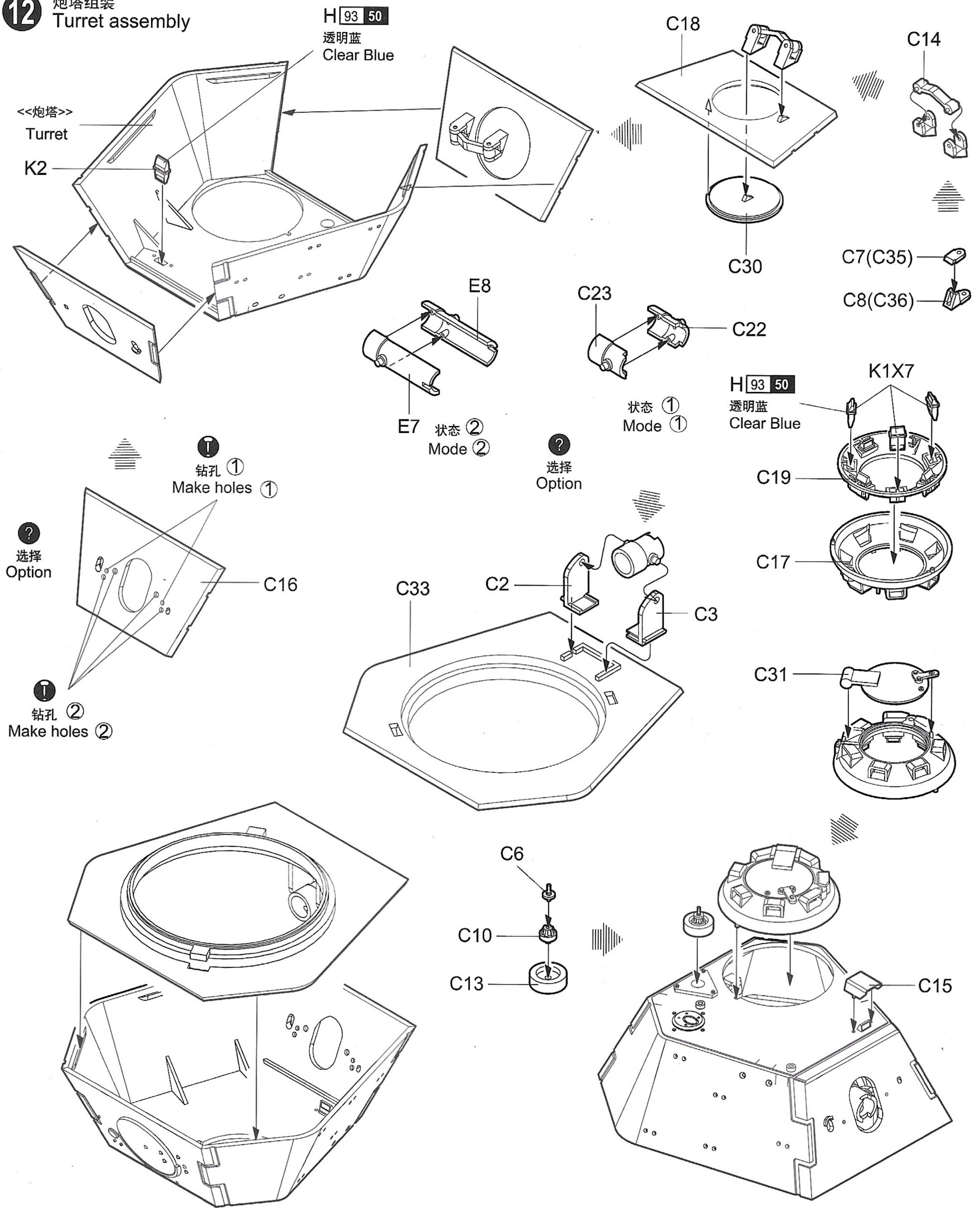


11

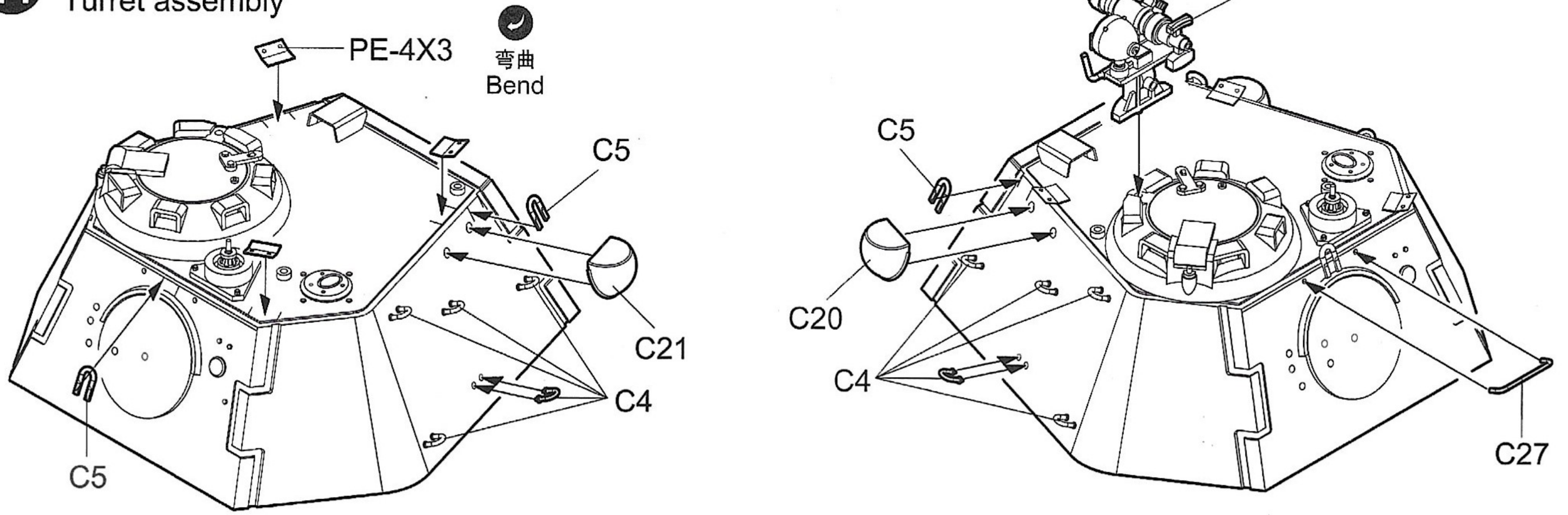
车面安装  
Attaching upper hull



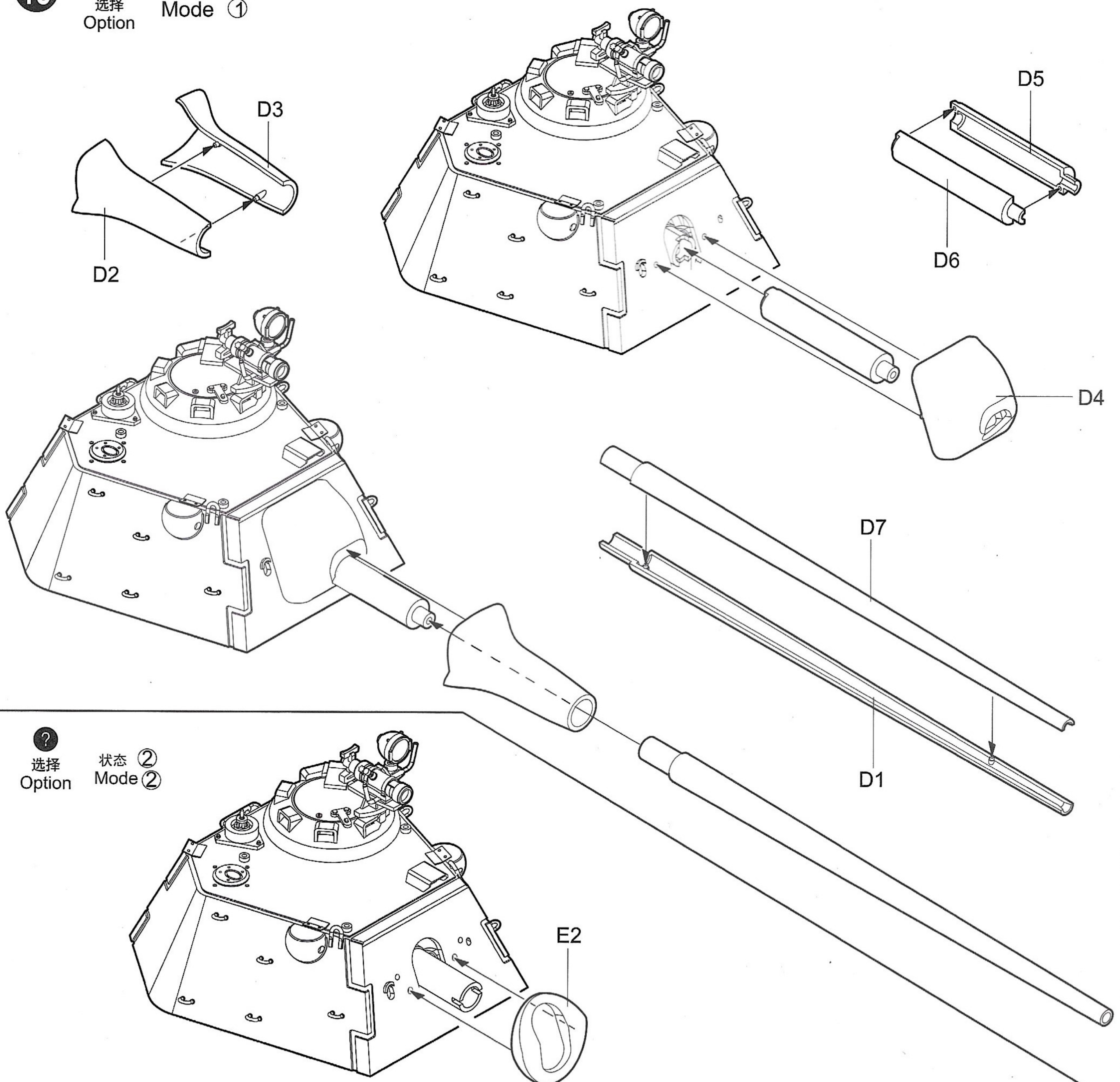
**12** 炮塔组装  
Turret assembly



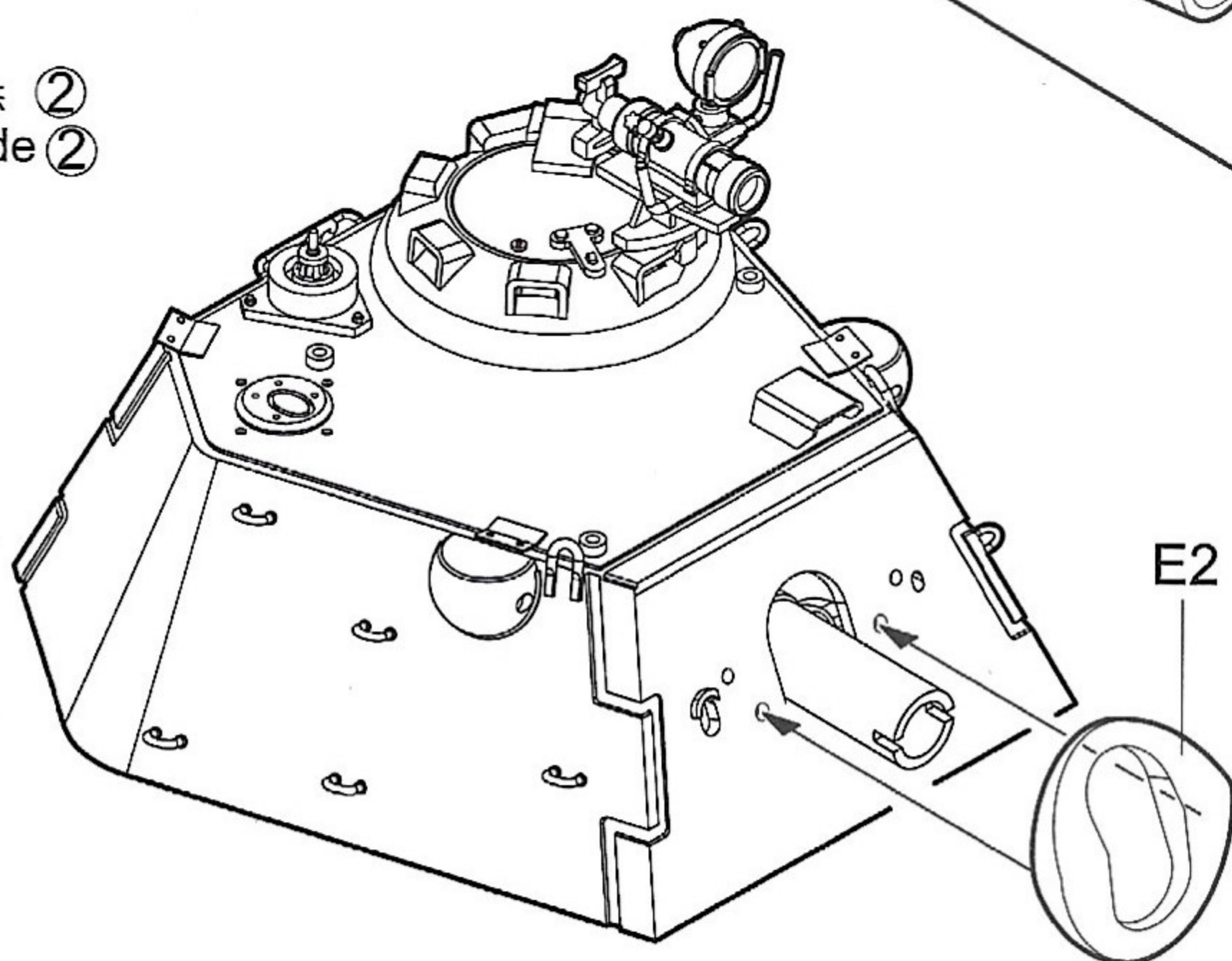
**14** 炮塔组装  
Turret assembly



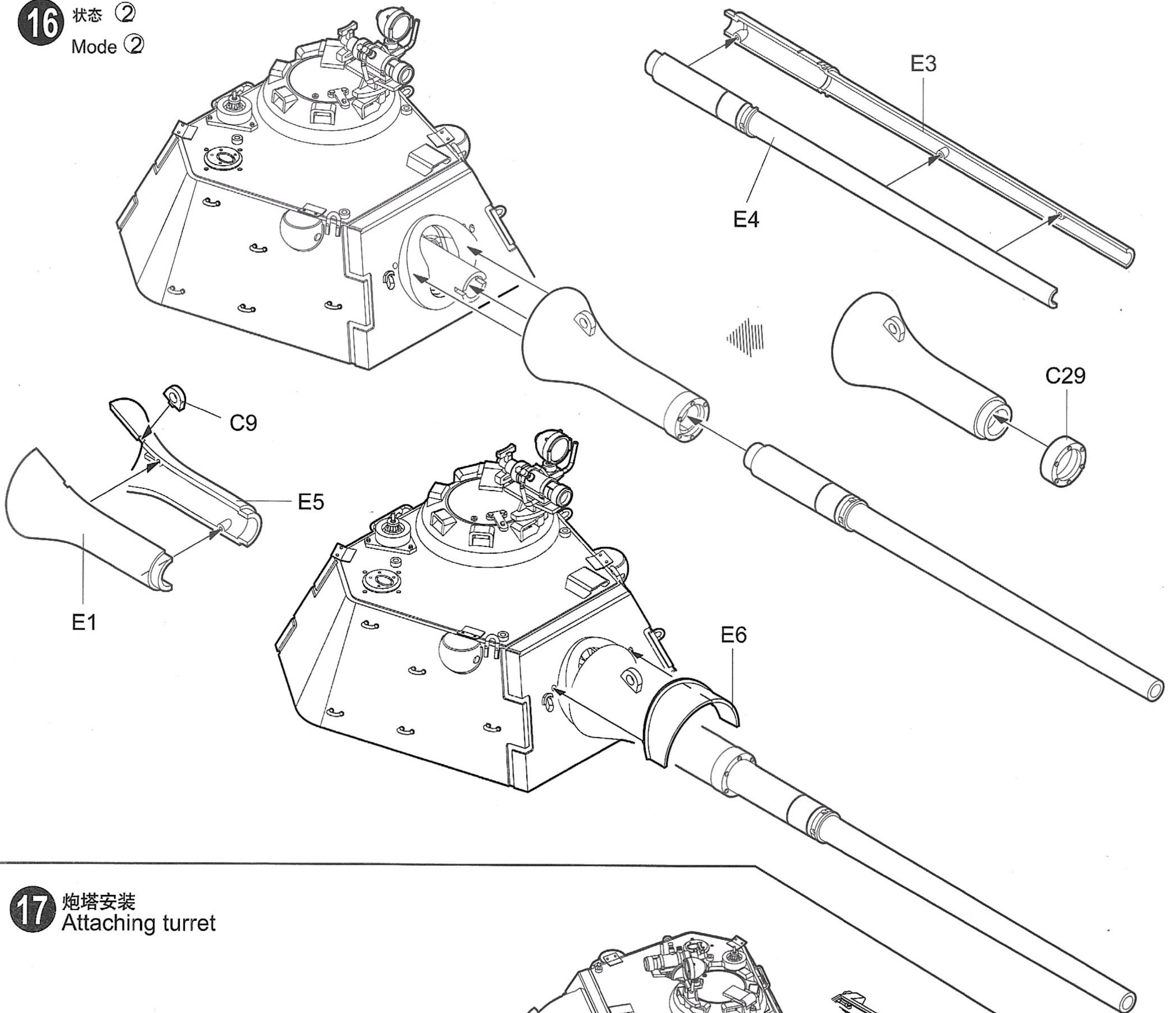
**15** ? 状态 ①  
选择 Option Mode ①



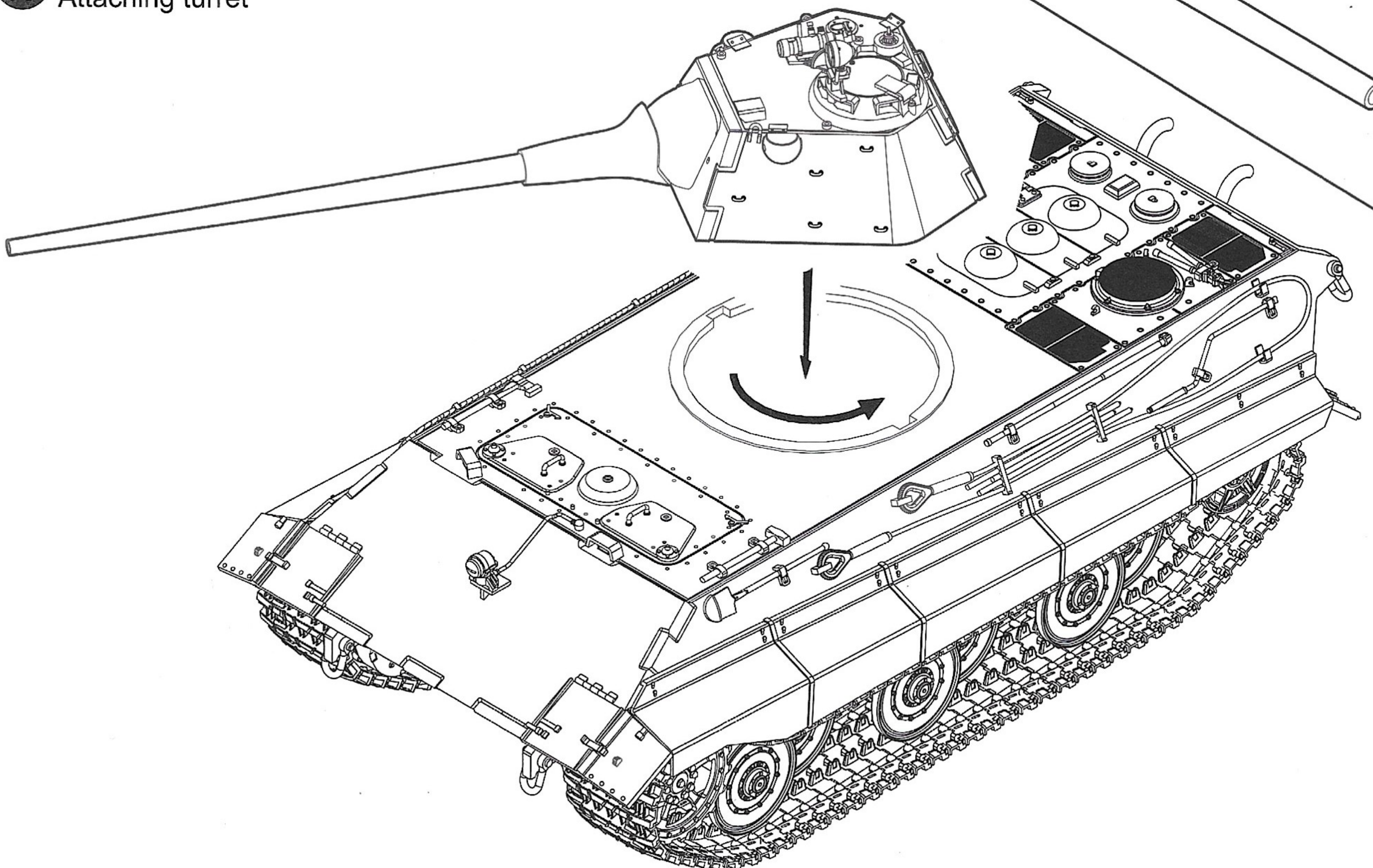
? 状态 ②  
选择 Option Mode ②



16 状态 ②  
Mode ②



17 炮塔安装  
Attaching turret

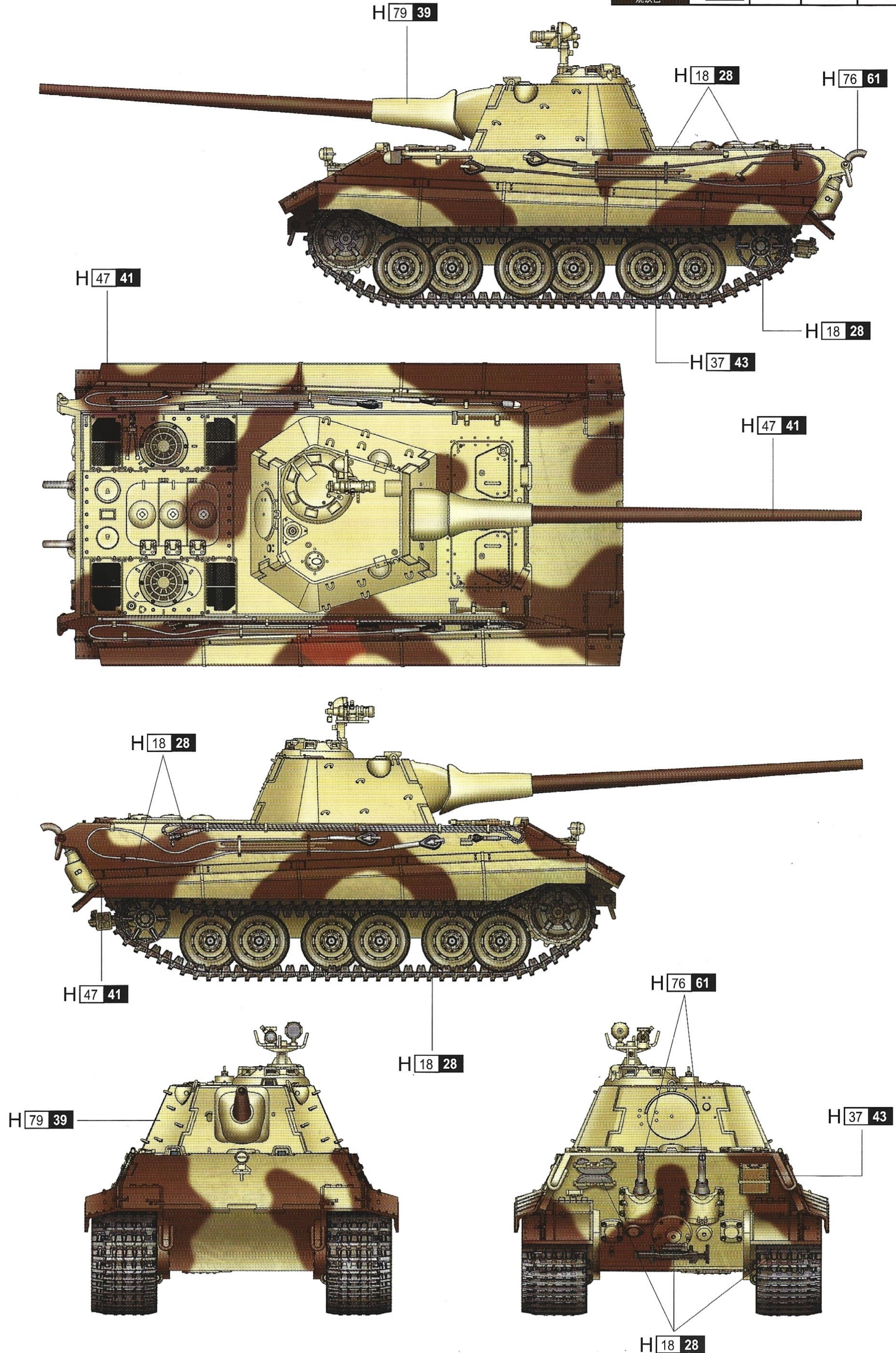


# 涂装同标贴指示

## Painting & Marking guide

### PAINT REFERENCE COLOUR

Color	Mr.Hobby	Vallejo	Model Master	Tamiya	Humbrol
Metal Black 黑铁色	H 18 28	864	1402	-	-
Wood Brown 木棕色	H 37 43	983	1701	-	186
Red Brown 红棕色	H 47 41	984	-	XF64	160
Sandy Brown 砂黄色	H 79 39	824	-	XF59	93
Burnt Iron 烧铁色	H 76 61	863	1795	X10	53



H☒ AQUEOUS HOBBY COLOR    ■ Mr. COLOR