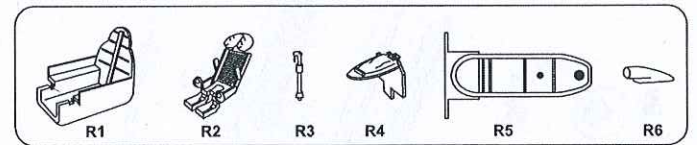
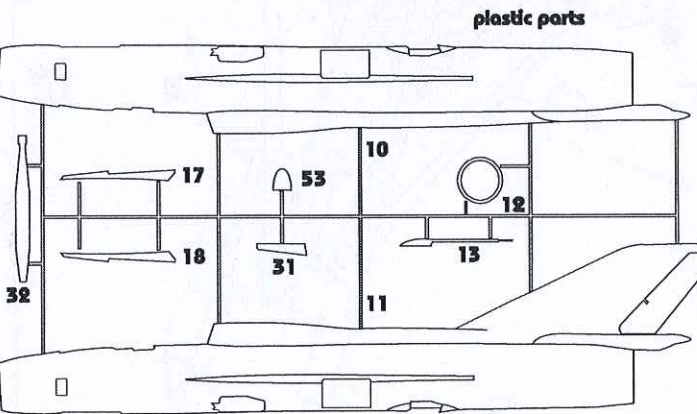
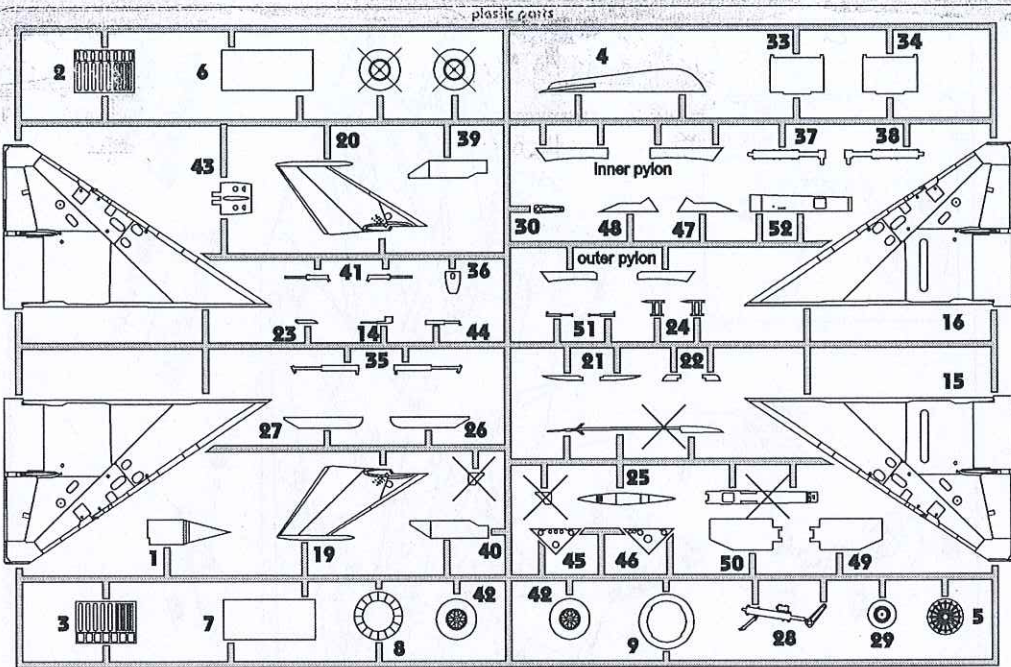


MiG-21 PFM

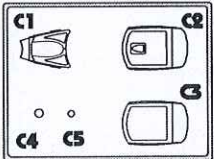


1/72

Cat.Nr.: 72040



resin parts



clear parts

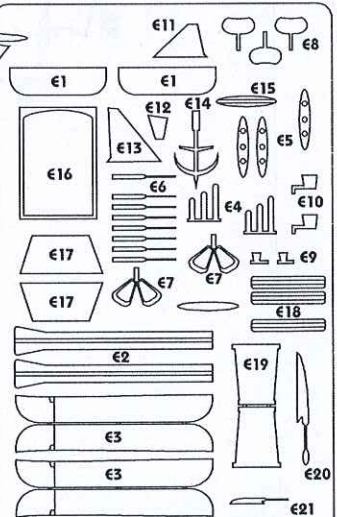
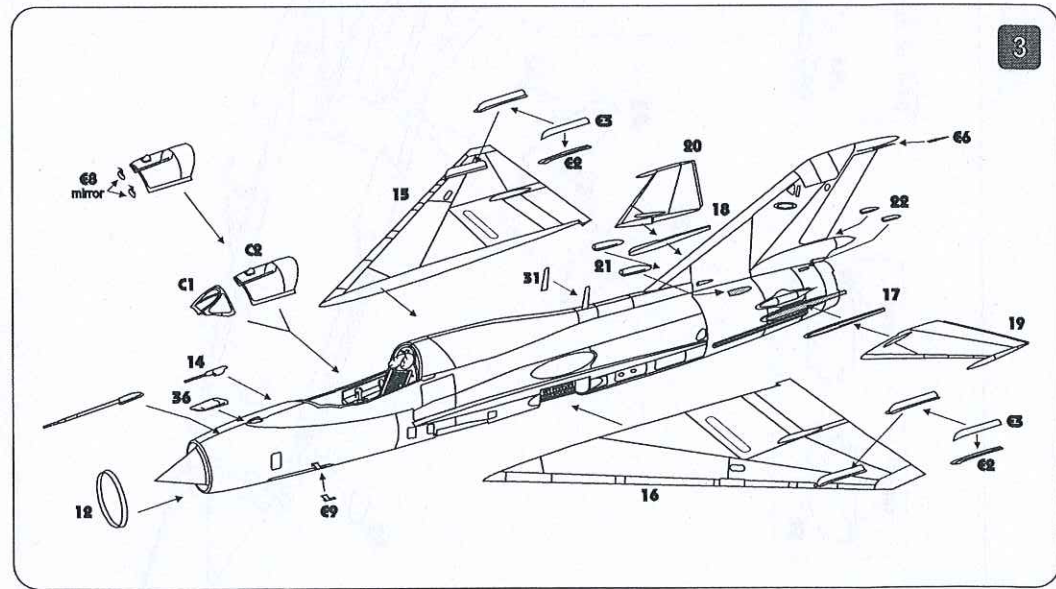
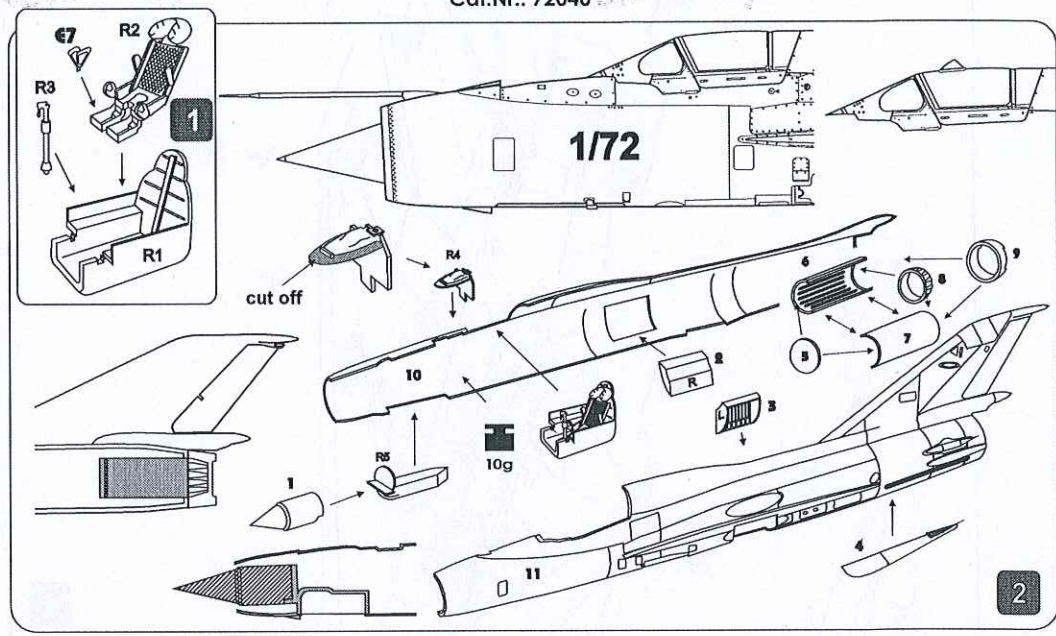
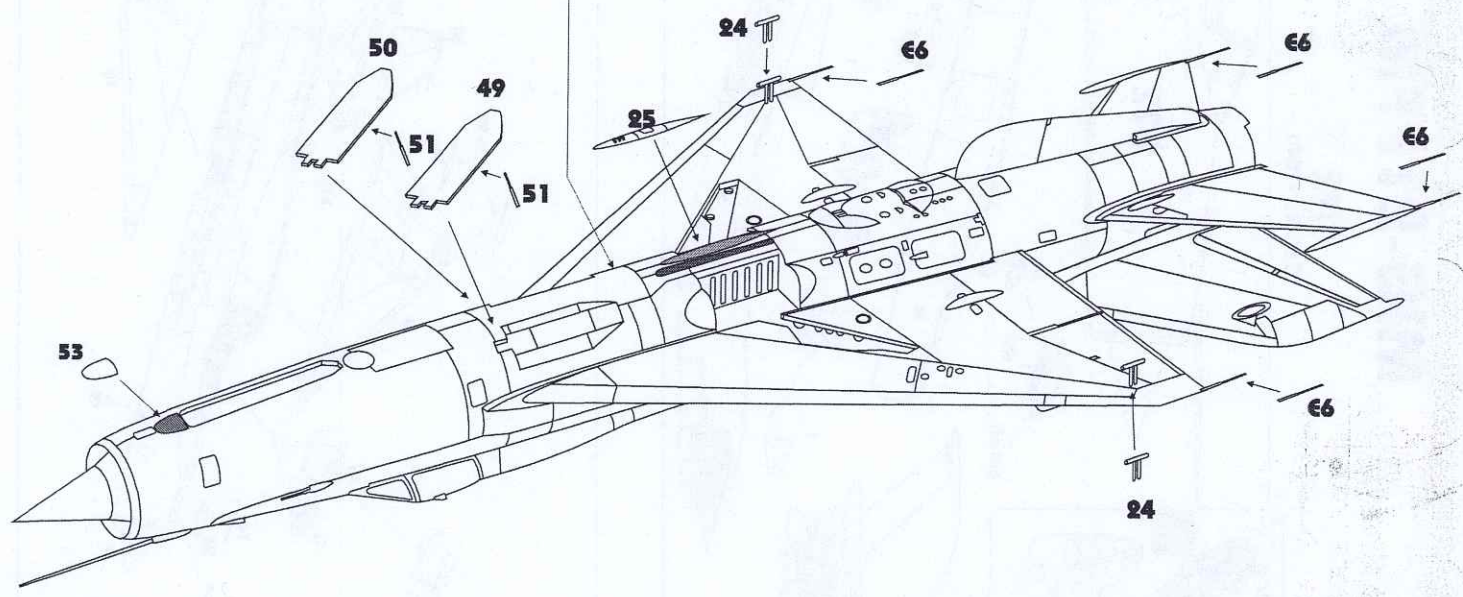
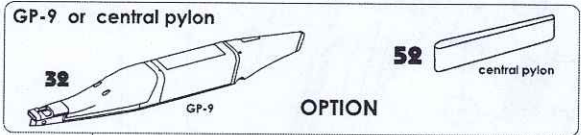
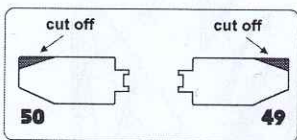
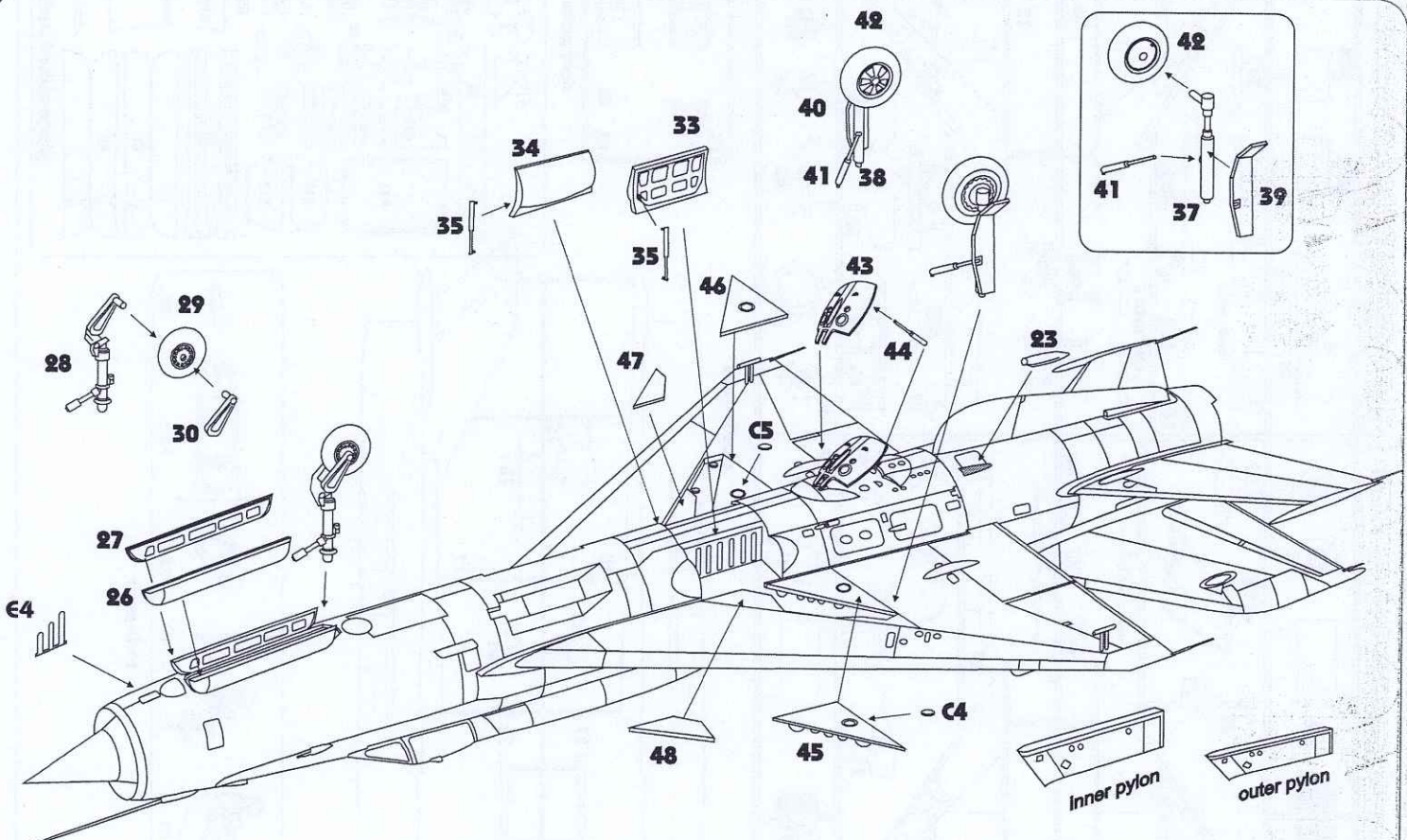


photo-etched parts



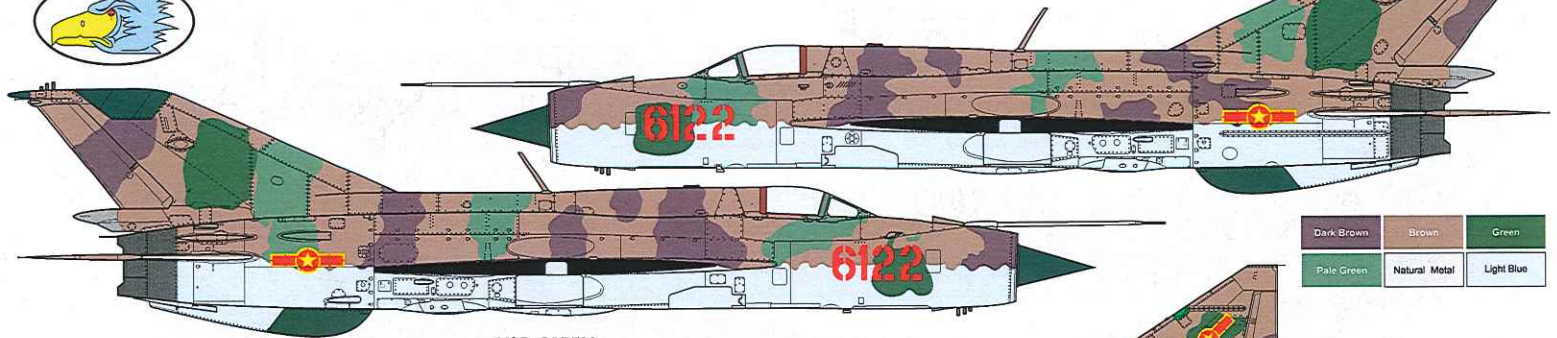


4



5

MiG-21PFM "Vietnam War"

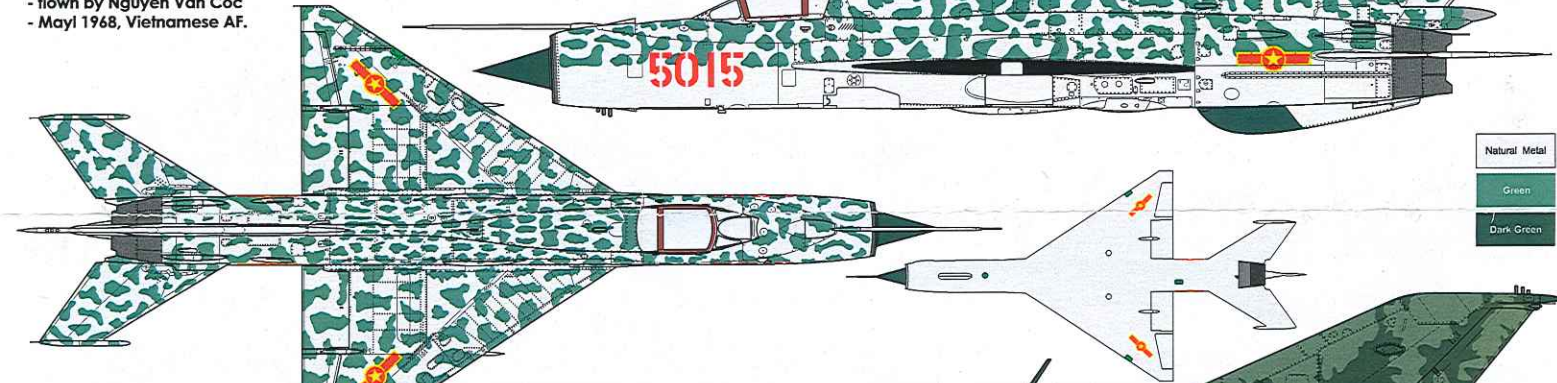


Dark Brown	Brown	Green
Pale Green	Natural Metal	Light Blue

MiG-21PFM
 - 927th "Lam Son"
 - "6122" former Soviet AF aircraft in Soviet camouflage, the red stars and tactical code are painted out
 - Vietnamese AF, 1972



MiG-21PFM
 - 921st Fighter Regiment "Sao Do" (Red Stars)
 - flown by Nguyen Van Coc
 - May 1968, Vietnamese AF.

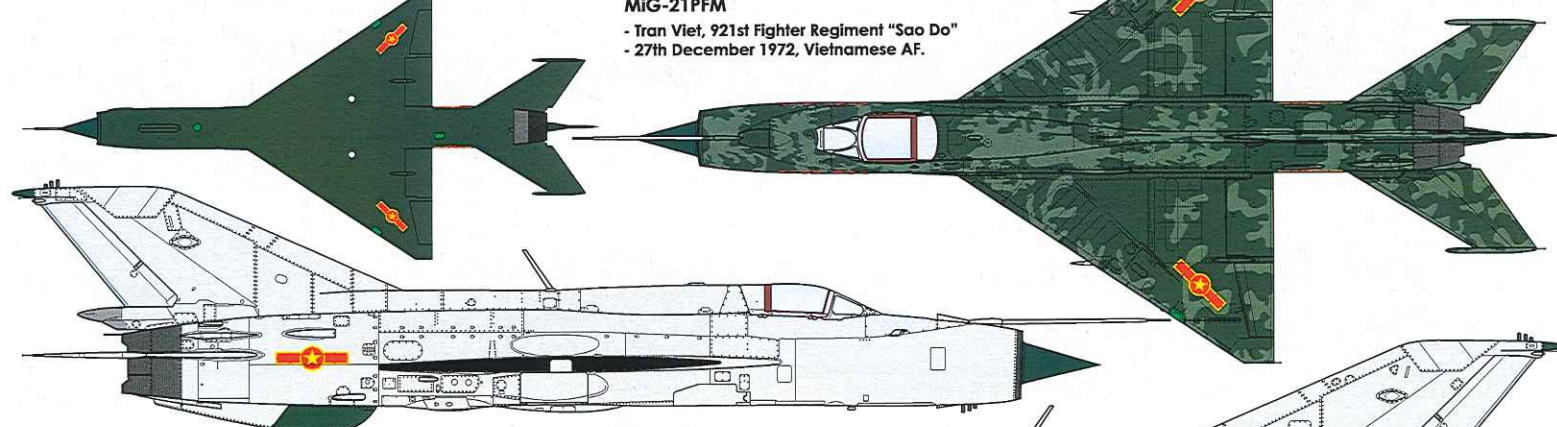


Natural Metal
Green
Dark Green



Dark Green
Green

MiG-21PFM
 - Tran Viet, 921st Fighter Regiment "Sao Do"
 - 27th December 1972, Vietnamese AF.

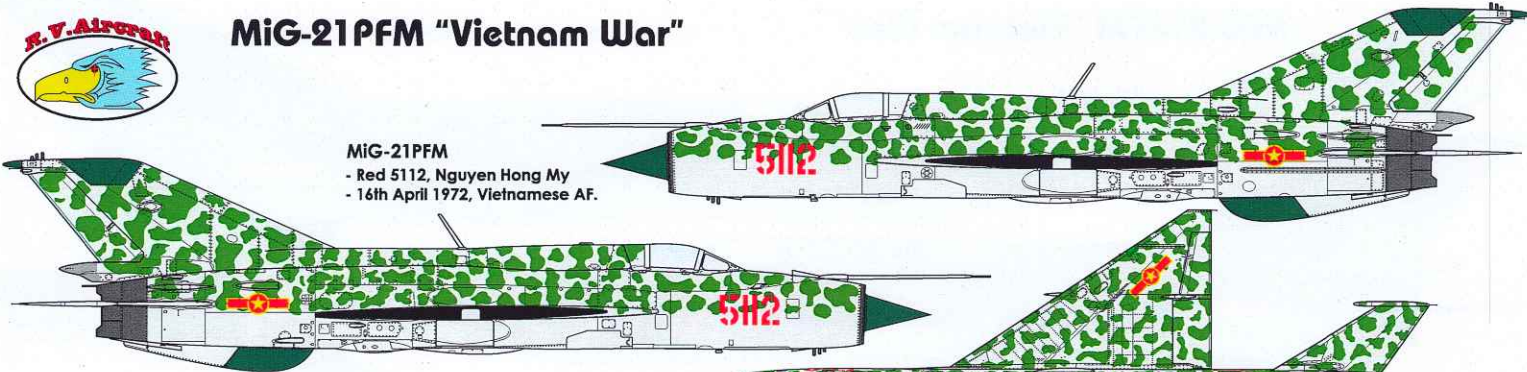


MiG-21PFM
 - 921st Fighter Regiment "Sao Do" (Red Stars)
 - 1972, Vietnamese AF.

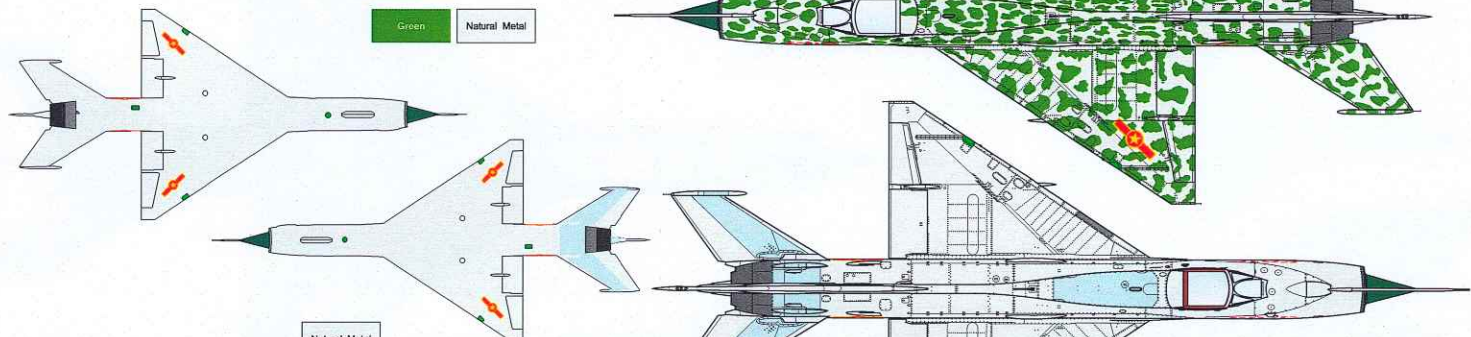
Natural Metal

MiG-21PFM "Vietnam War"

MiG-21PFM
 - Red 5112, Nguyen Hong My
 - 16th April 1972, Vietnamese AF.

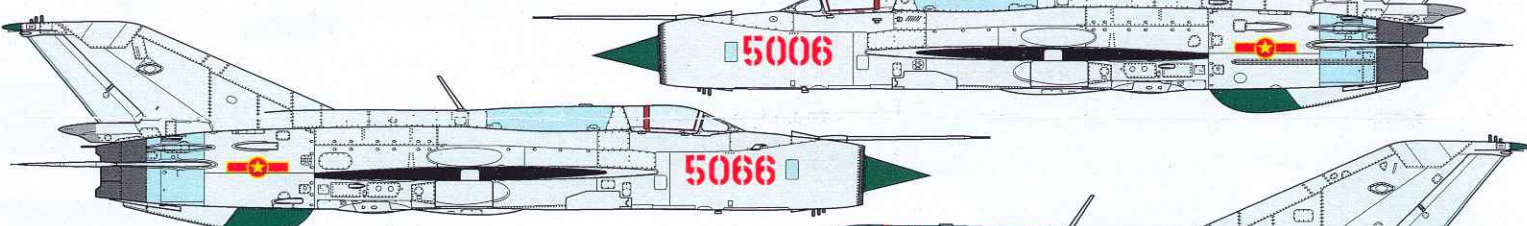
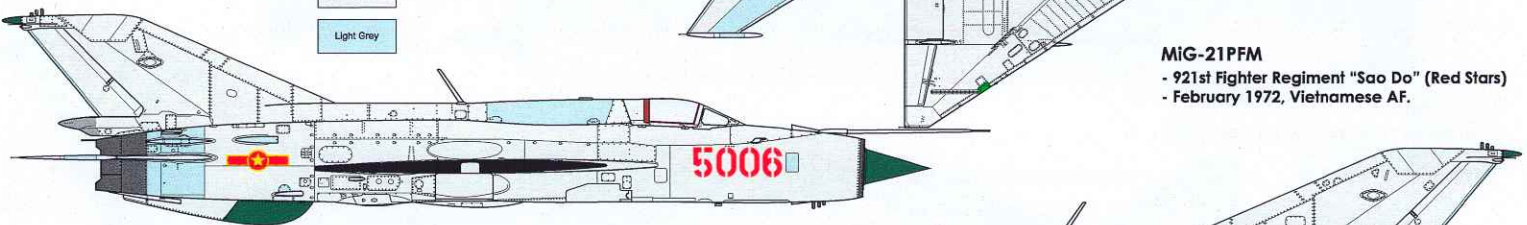


Green Natural Metal

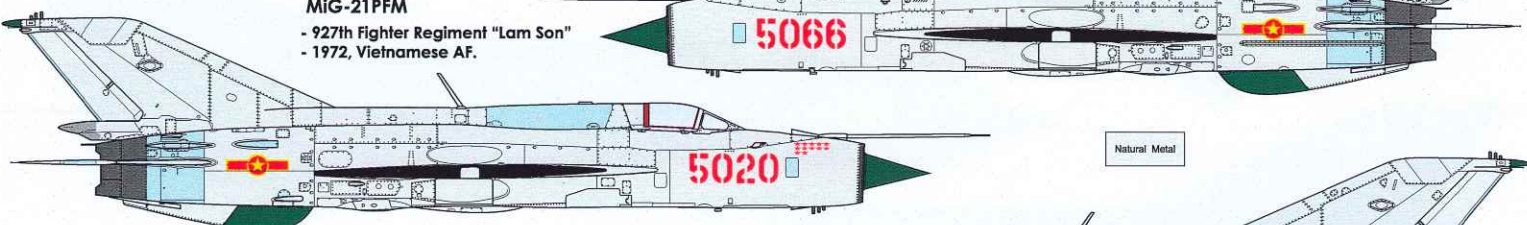


Natural Metal Light Grey

MiG-21PFM
 - 921st Fighter Regiment "Sao Do" (Red Stars)
 - February 1972, Vietnamese AF.

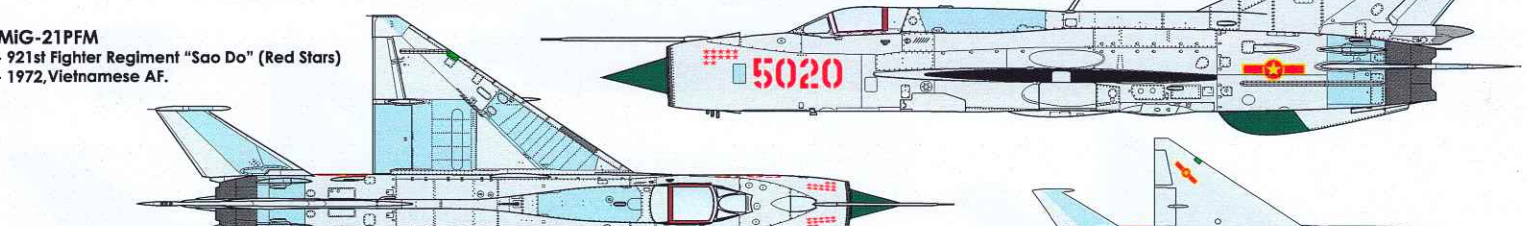


MiG-21PFM
 - 927th Fighter Regiment "Lam Son"
 - 1972, Vietnamese AF.



Natural Metal

MiG-21PFM
 - 921st Fighter Regiment "Sao Do" (Red Stars)
 - 1972, Vietnamese AF.



Natural Metal Light Grey

MiG-21PFM
 - Tran Viet, 921st Fighter Regiment "Sao Do"
 - 27 December 1972, Vietnamese AF.



MiG-21PFM
 - 927th Fighter Regiment "Lam Son"
 - 1972, Vietnamese AF.

